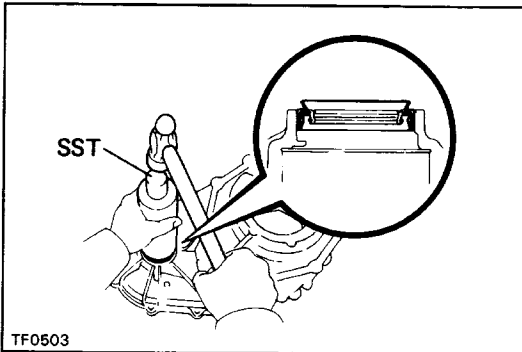


2. IF NECESSARY, REPLACE FRONT CASE OIL SEAL

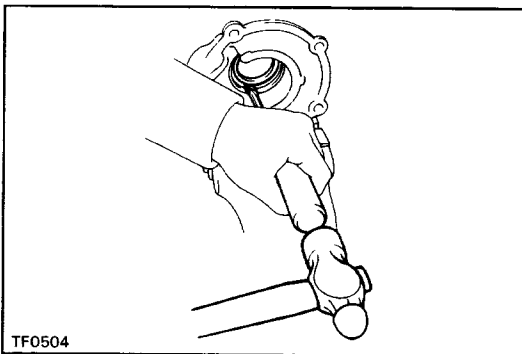
(a) Using a screwdriver and hammer, drive out the oil seal.



(b) Using SST and a hammer, drive in a new oil seal until its surface is flush with the case upper surface.

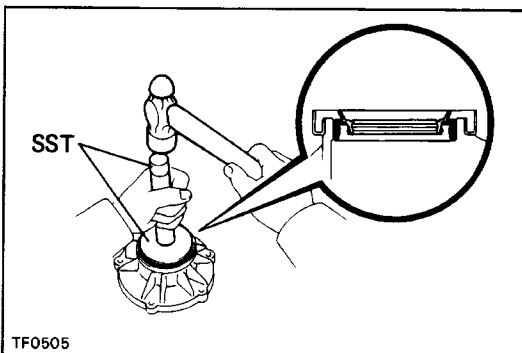
SST 09316-60010 (09316-00010)

(c) Coat the lip of the oil seal with MP grease.



3. IF NECESSARY, REPLACE EXTENSION HOUSING OIL SEAL

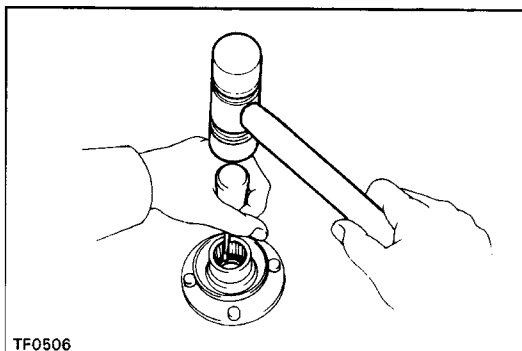
(a) Using a screwdriver and hammer, drive out the oil seal.



(b) Using SST and a hammer, drive in a new oil seal until its surface is flush with the housing upper surface.

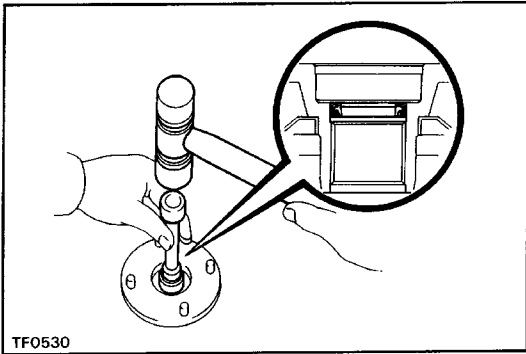
SST 09550-22011 (09550-00020, 09550-00031)

(c) Coat the lip of the oil seal with MP grease.

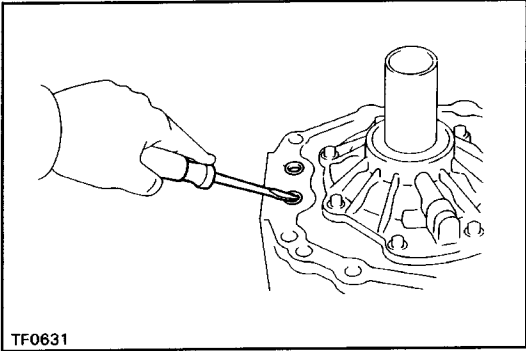


4. IF NECESSARY, REPLACE FRONT AND REAR COMPANION FLANGES OIL SEAL

(a) Using a screwdriver and hammer, drive out the oil seal.

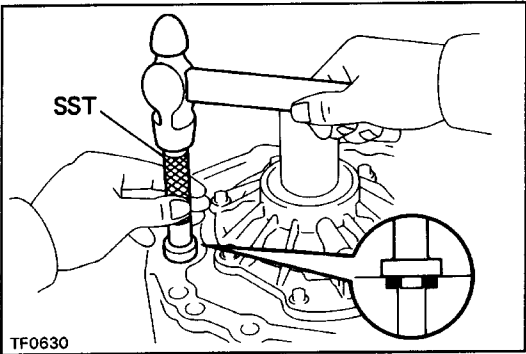


- (b) Using a socket wrench and hammer, drive in a new oil seal.
 (c) Coat the lip of the oil seal with MP grease.



**5. (22R-E/G58, A340F)
 IF NECESSARY, REPLACE SHIFT FORK SHAFT OIL SEALS**

- (a) Using a screwdriver, pry out the oil seal.



- (b) Using SST and a hammer, drive in a new oil seal.

SST 09304-12012

Oil seal depth: -0.5 - 0.5 mm

(-0.0197 - 0.0197 in.)