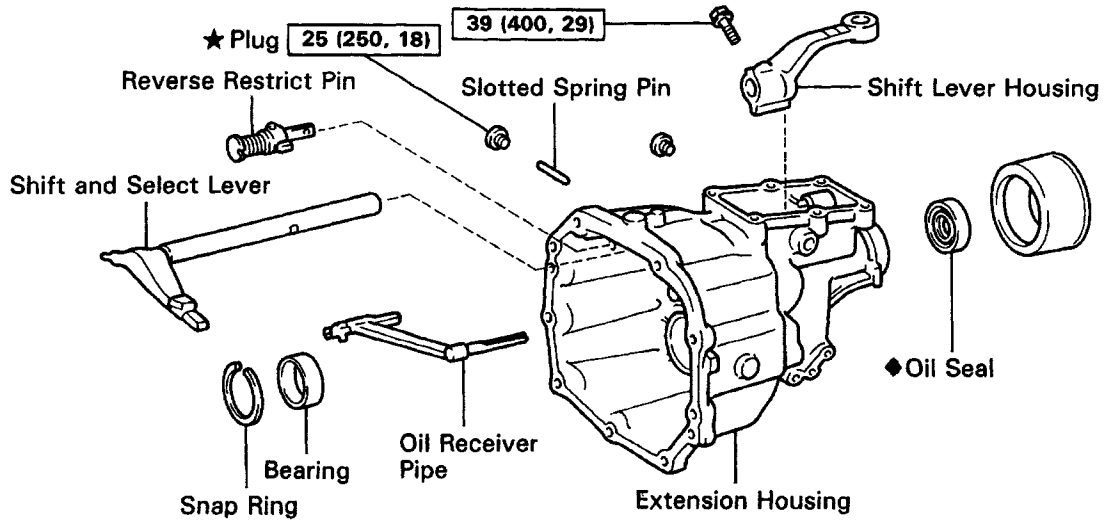


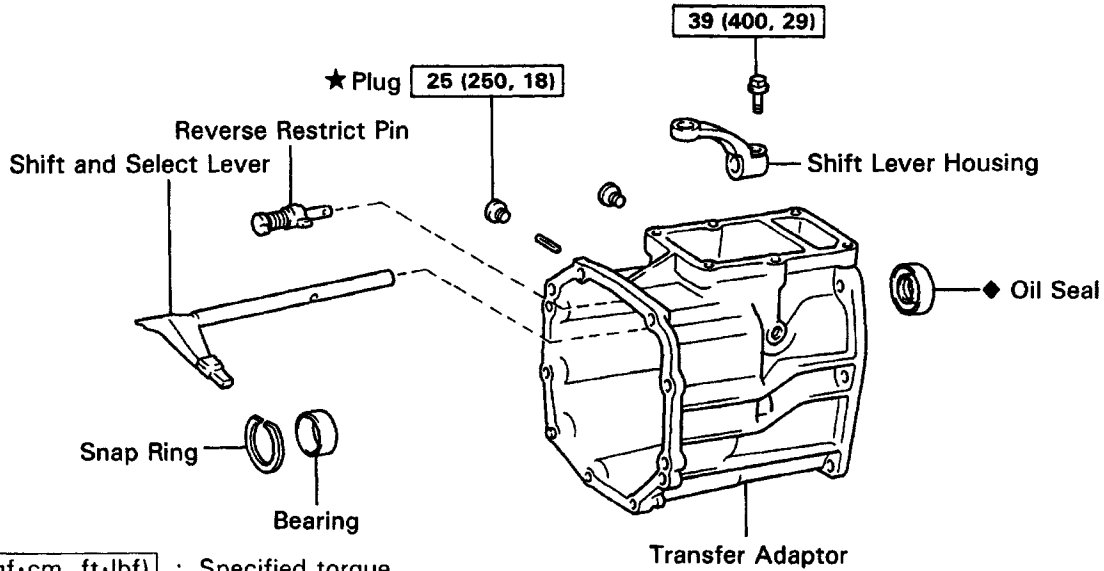
EXTENSION HOUSING AND TRANSFER ADAPTOR COMPONENT

MT00V-02

2WD



4WD



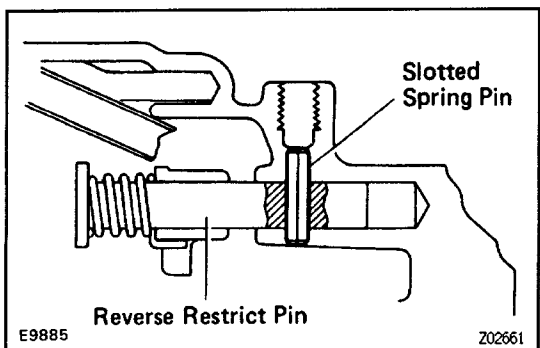
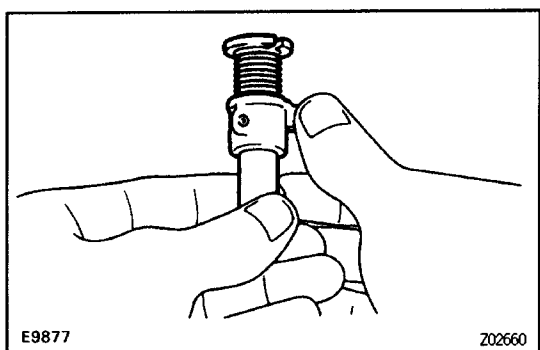
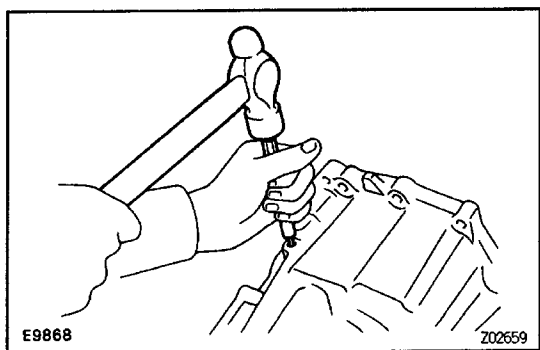
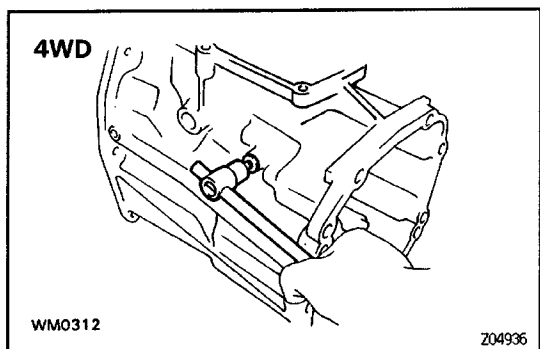
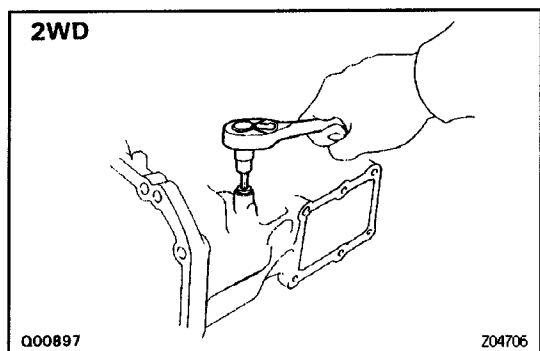
N·m (kgf·cm, ft·lbf) : Specified torque

◆ Non-reusable part

★ Precoated part

Q01564
WM0316

Z04680



MT01-01

REVERSE RESTRICT PIN REPLACEMENT

1. REMOVE REVERSE RESTRICT PIN

(a) Using a hexagon wrench, remove the screw plug.

(b) Using a pin punch and hammer, drive out the slotted spring pin.

(c) Pull off the lever housing and slide out the shaft.

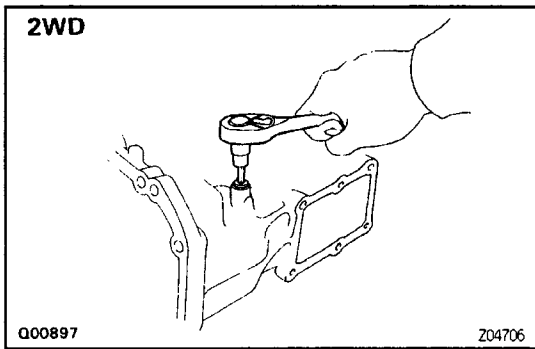
2. INSPECT REVERSE RESTRICT PIN

Turn and push the reverse restrict pin by hand while applying direction.

3. INSTALL REVERSE RESTRICT PIN

(a) Install the lever housing.

(b) Using a pin punch and hammer, drive in the slotted spring pin as shown.



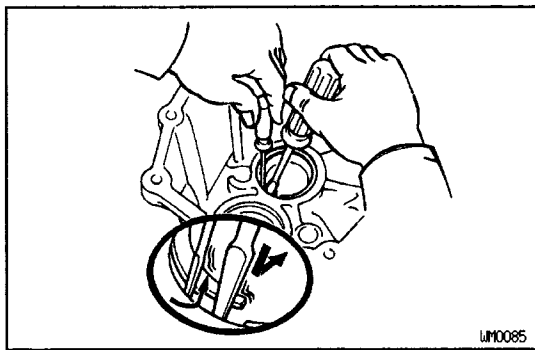
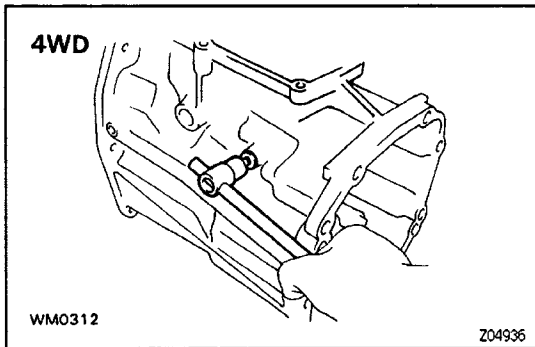
(c) Apply liquid sealer to the plug.

Sealant:

Part No. 08833-00080, THREE BOND 7344, LOC-TITE 242 or equivalent

(d) install and torque the screw plug.

Torque: 25 N-m (250 kgf-cm, 18 ft-lbf)

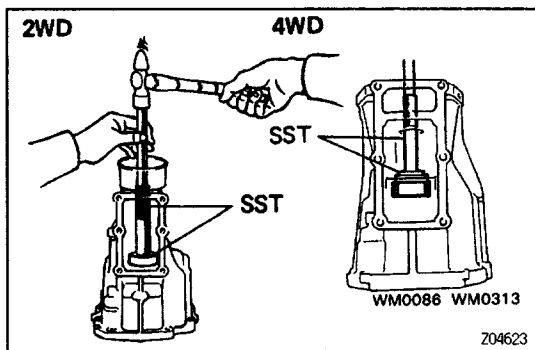


BEARING REPLACEMENT

MT00X-02

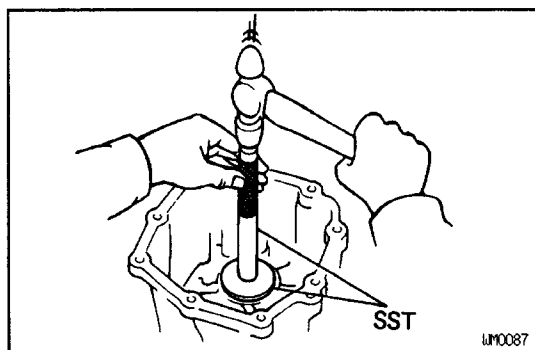
IF NECESSARY, REPLACE REAR BEARING OUT REAR RACE

(a) Using two screwdrivers, remove the snap ring.



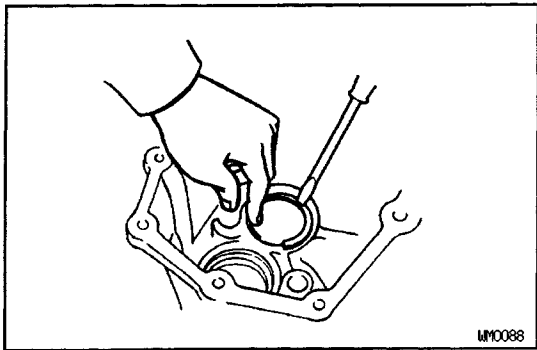
(b) Using SST and a hammer, tap out the outer race.

SST 09608-12010 (09608-00020, 09608-00050)

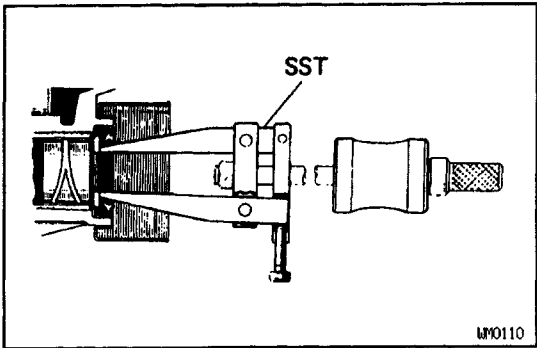


(c) Using SST, install a new outer race.

SST 09608-35014 (09608-06020, 09608-06100)



(d) Using a screwdriver, install the snap ring.



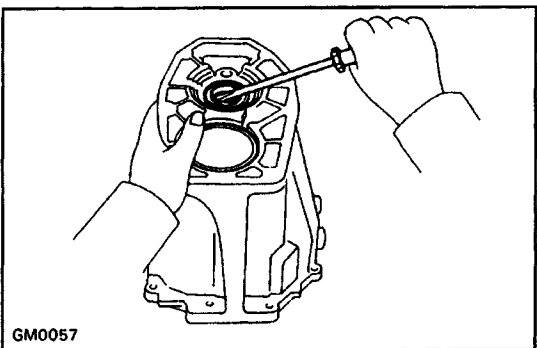
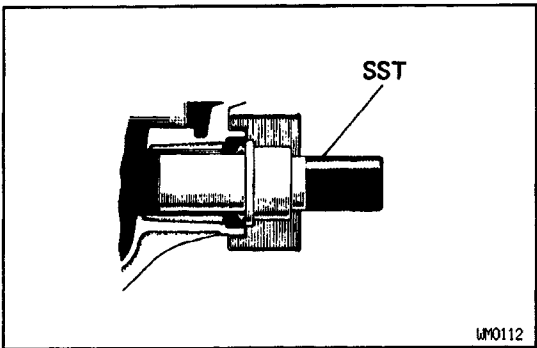
OIL SEAL REPLACEMENT

MT094-01

(2WD)

IF NECESSARY, REPLACE EXTENSION HOUSING OIL SEAL

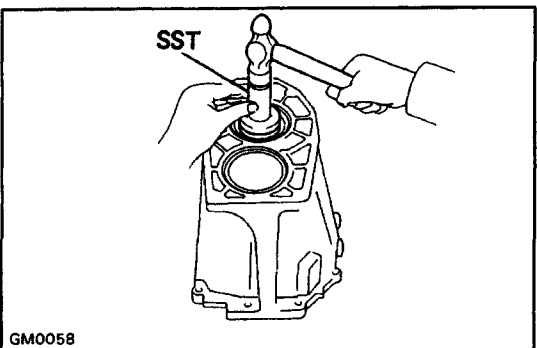
- (a) Using SST, remove the oil seal.
SST 09308-00010 or
09308-10010
(w/ output shaft installed)
- (b) Using SST, drive in a new oil seal.
SST 09325-20010



(4WD)

IF NECESSARY, REPLACE TRANSFER ADAPTOR OIL SEAL

- (a) Using a screwdriver, pry out the oil seal.



- (b) Using SST and a hammer, drive in a new oil seal.
SST 09325-12010