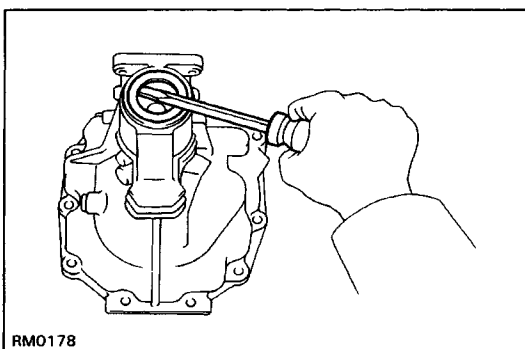
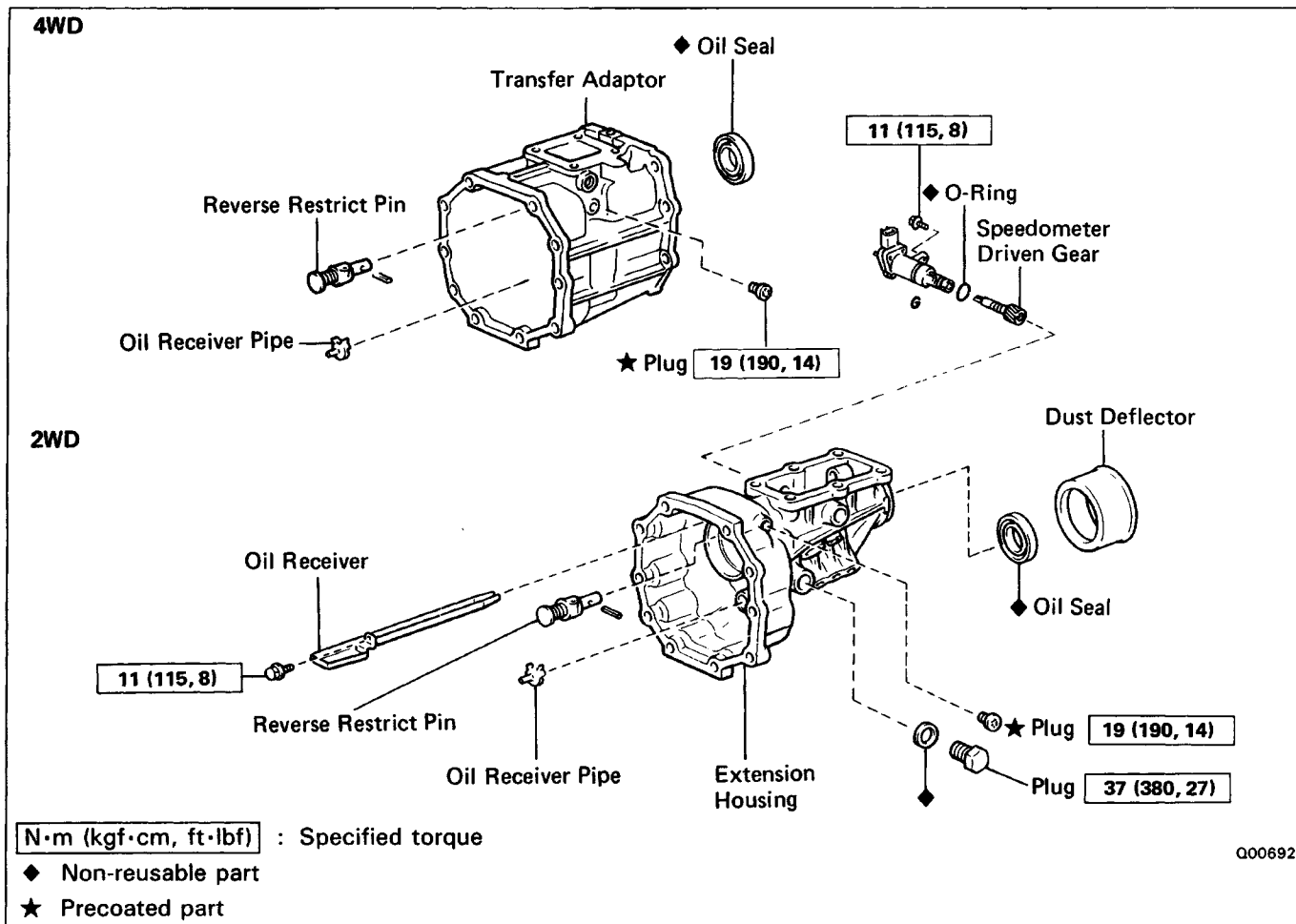


# Extension Housing and Transfer Adaptor COMPONENTS

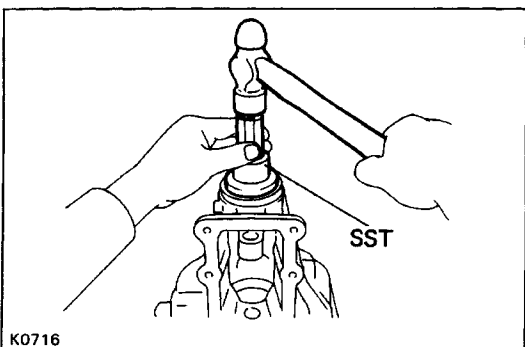


## REPLACEMENT OF OIL SEAL

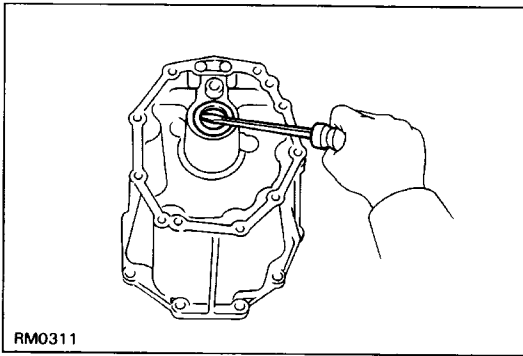
### 1. (2WD)

#### IF NECESSARY, REPLACE EXTENSION HOUSING OIL SEAL

- Remove the dust deflector.
- Using a screwdriver, pry out the oil seal.

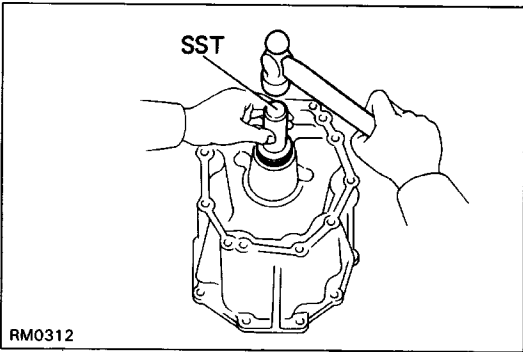


- Using SST and a hammer, drive in a new oil seal.  
SST 0932 5-40010
- Install the dust deflector.

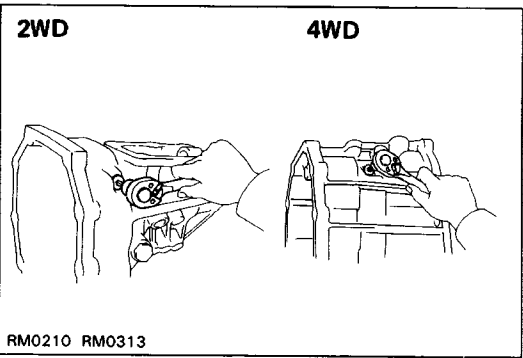


**2. (4WD)  
IF NECESSARY, REPLACE TRANSFER ADAPTOR OIL SEAL**

(a) Using a screwdriver, pry out the oil seal.



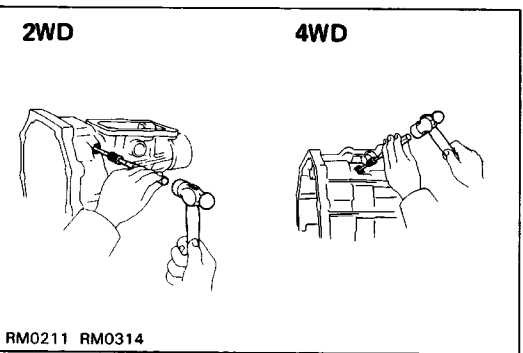
(b) Using SST and a hammer, drive in a new oil seal.  
SST 09325-12010



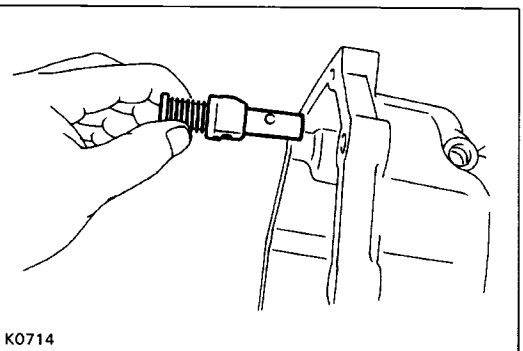
**INSPECTION AND REPLACEMENT OF REVERSE RESTRICT PIN**

**1. REMOVE THE REVERSE RESTRICT PIN**

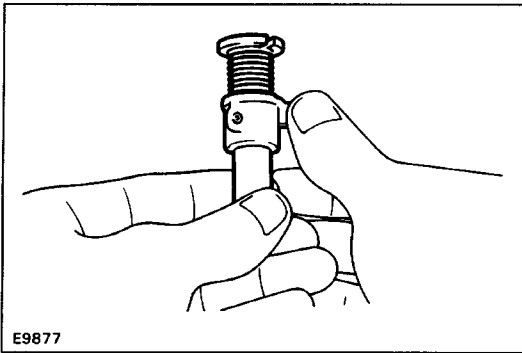
(a) Using a torx socket wrench, remove the screw plug.  
(Torx socket wrench T40 09042-00020)



(b) Using a pin punch and hammer, drive out the slotted spring pin.

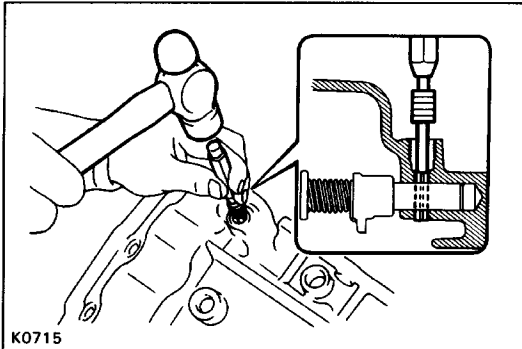


(c) Remove the reverse restrict pin.



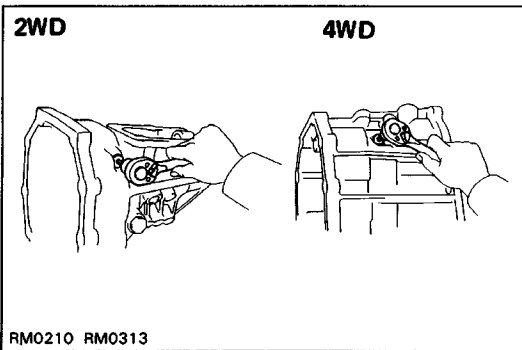
## 2. INSPECTION OF REVERSE RESTRICT PIN

Turn and push the reverse restrict pin by hand while applying force in axial direction.



## 3. INSTALL THE REVERSE RESTRICT PIN

- (a) Install the reverse restrict pin to the extension housing or transfer adaptor.
- (b) Using a pin punch and hammer, drive in the slotted spring pin as shown.



- (c) Apply liquid sealer to the plug threads.  
**Sealant: Part No. 08833-00080, THREE BOND 1344, LOCTITE 242 or equivalent**
- (d) Using a torx socket wrench, install and torque the screw plug.  
(Torx socket wrench T40 09042-00020)  
**Torque: 19 N-m (190 kgf -cm, 14 ft -lbf)**