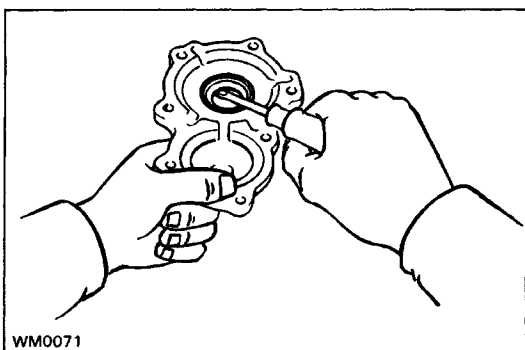
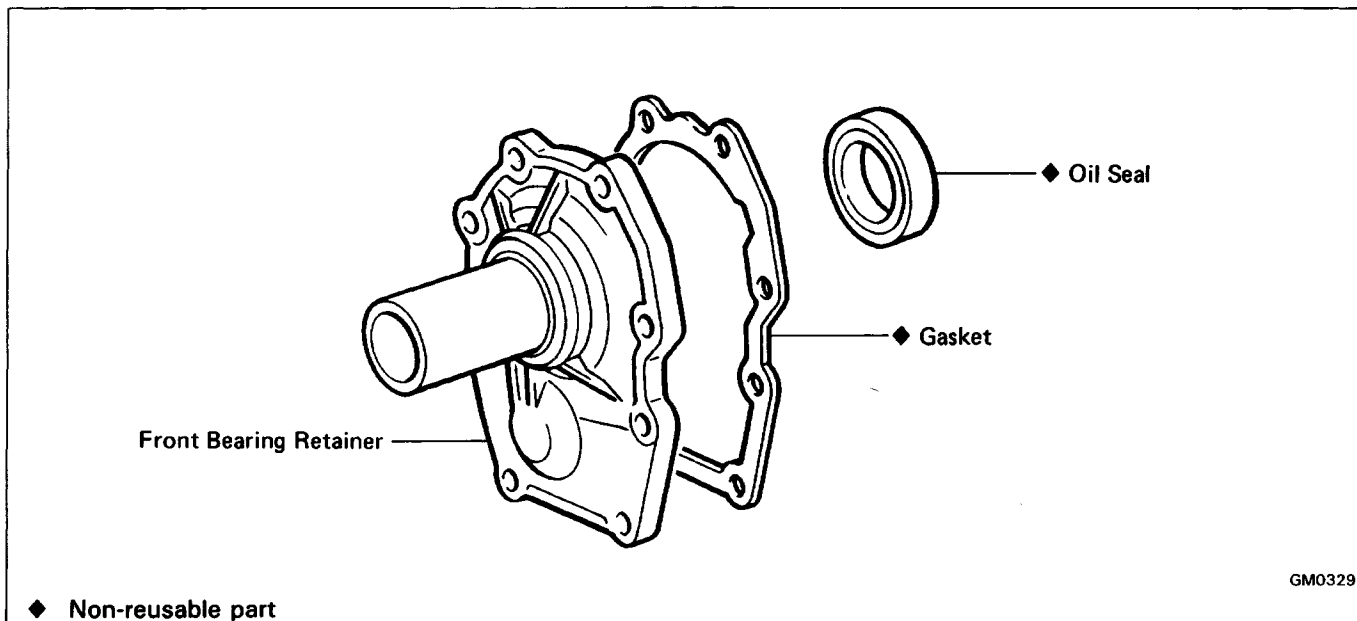
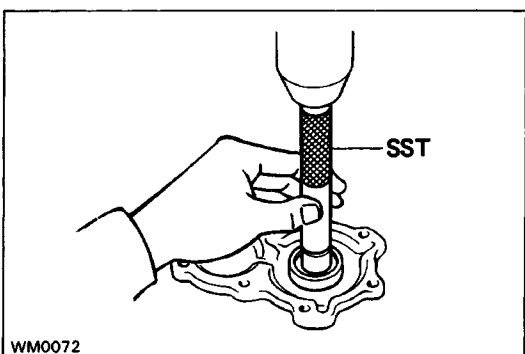


Front Bearing Retainer COMPONENTS



REPLACEMENT OF OIL SEAL IF NECESSARY, REPLACE FRONT BEARING RETAINER OIL SEAL

(a) Using a screwdriver, pry out the oil seal.



(b) Using SST and a press, install a new oil seal.
SST 09223-50010

Oil seal depth: 12.2 – 13.2 mm (0.480 – 0.520 in.)

Transmission case installation surface

(c) Coat the lip of the oil seal with MP grease.