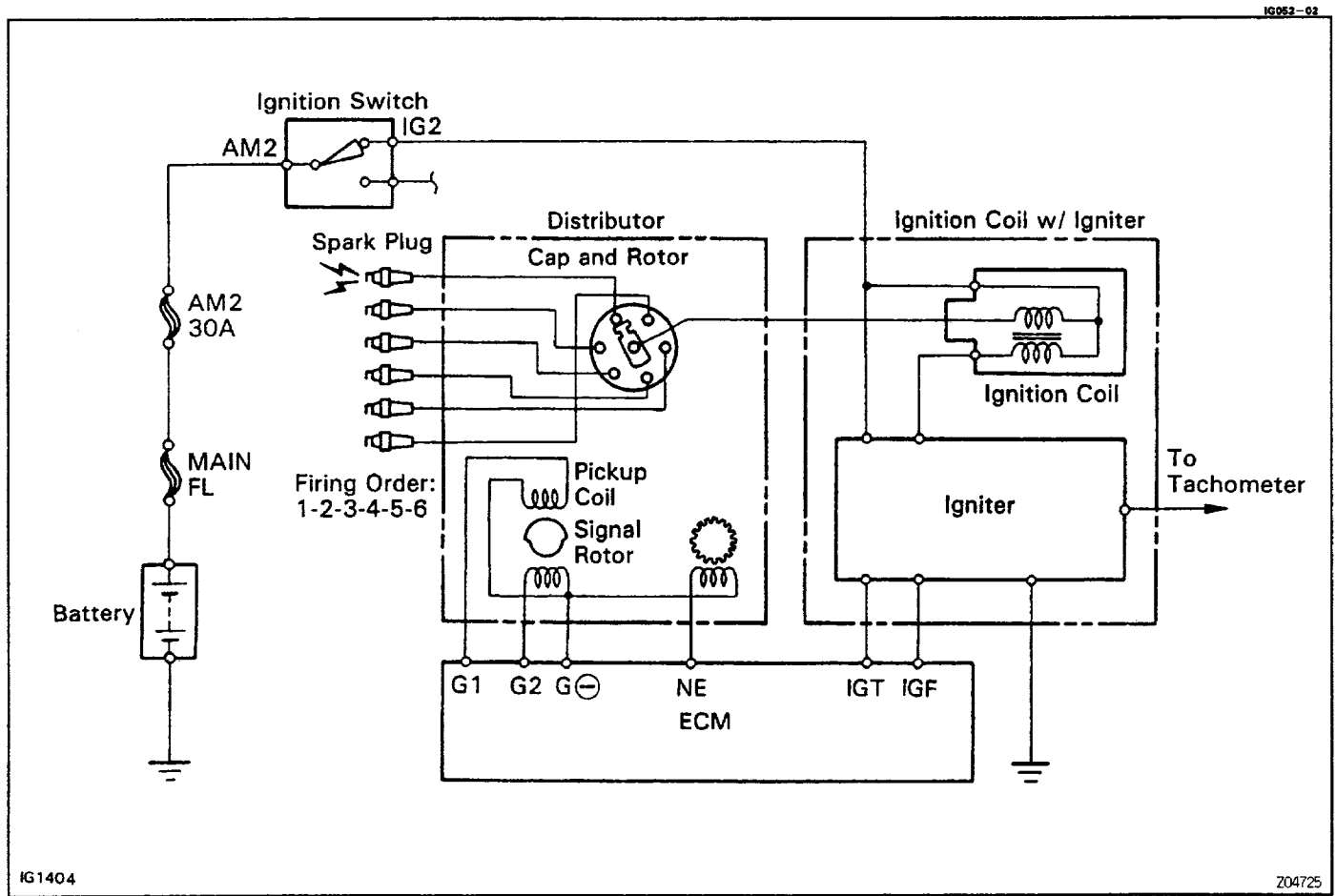


SYSTEM CIRCUIT



OPERATION

To maintain the most appropriate ignition timing, the ECM sends a control signal so that the igniter sends current to the ignition coil and the spark plugs produce a spark.