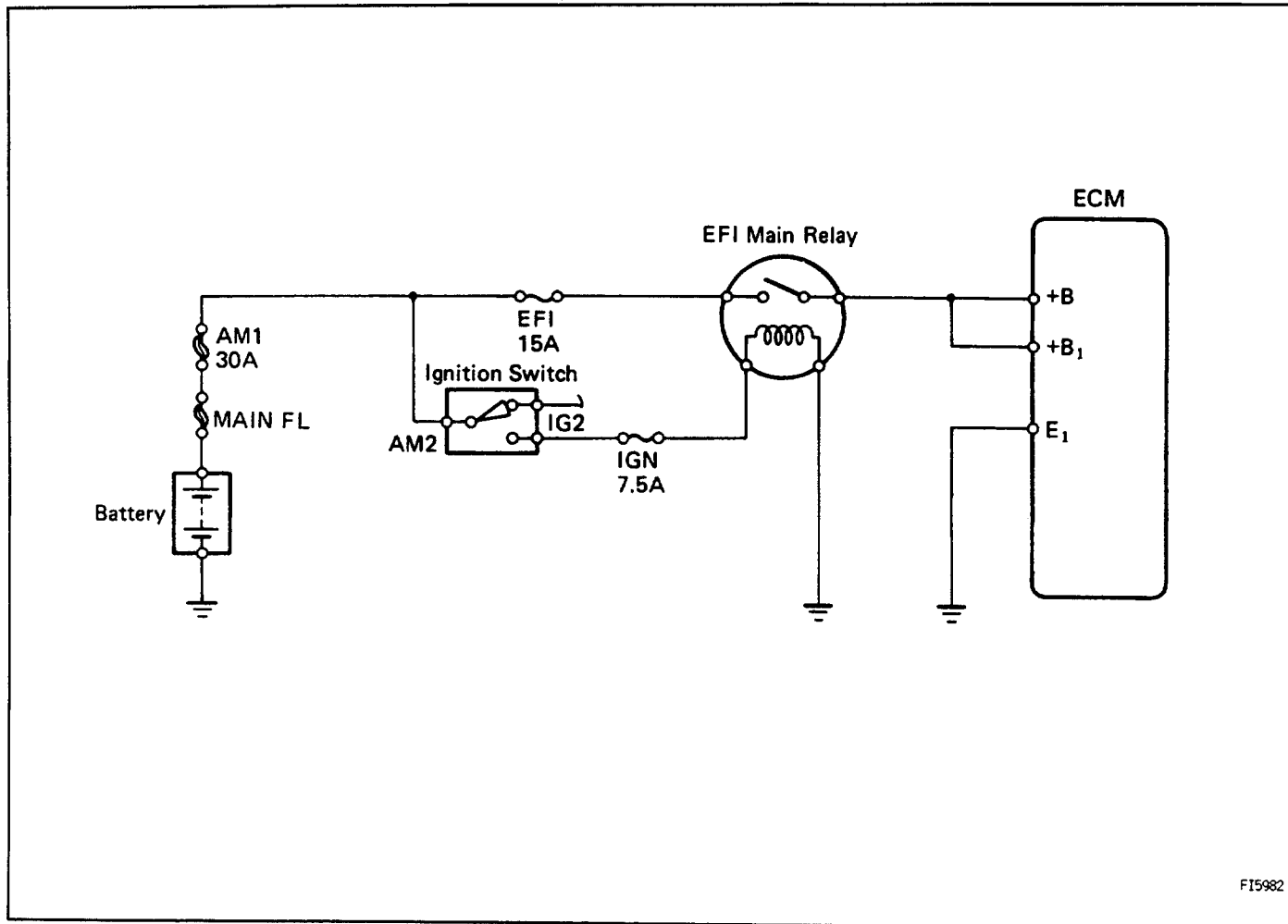
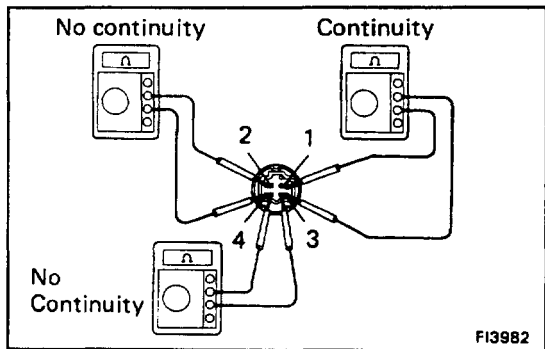


# EFI MAIN RELAY



F15982

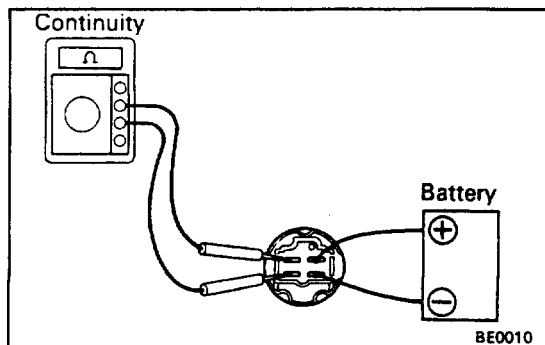


F13982

## EFI MAIN RELAY INSPECTION

### 1. INSPECT RELAY CONTINUITY

- (a) Using an ohmmeter, check that there is continuity between terminals 1 and 3.
  - (b) Check that there is no continuity between terminals 2 and 4.
  - (c) Check that there is no continuity between terminals 3 and 4.
- If operation is not as specified, replace the relay.



BE0010

### 2. INSPECT RELAY OPERATION

- (a) Apply battery voltage across terminals 1 and 3.
  - (b) Using an ohmmeter, check that there is continuity between terminals 2 and 4.
- If operation is not as specified, replace the relay.