
22R-E ENGINE

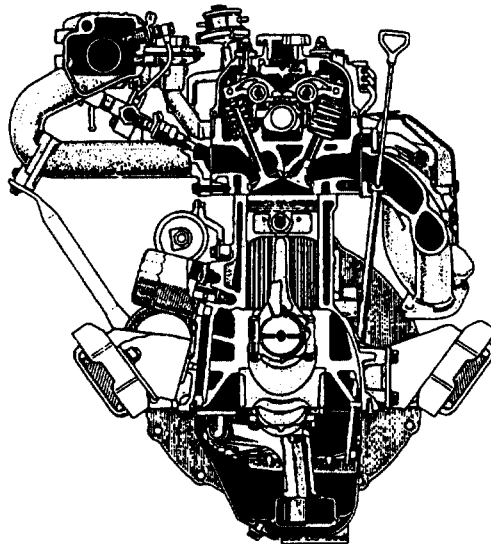
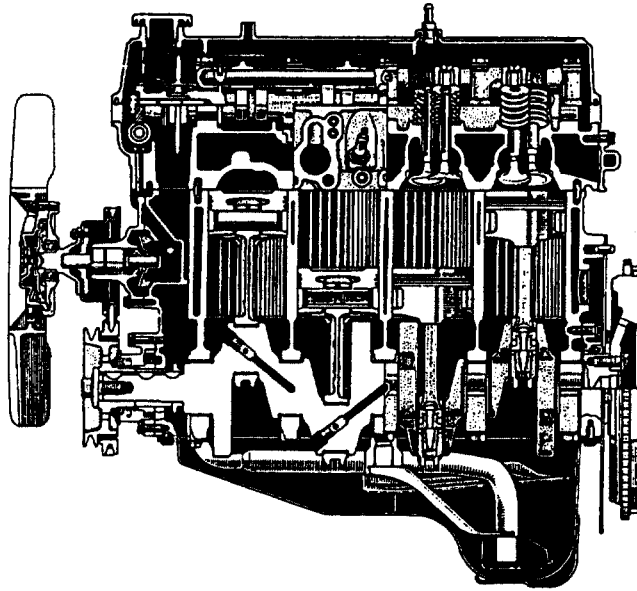
ENGINE MECHANICAL

DESCRIPTION

The 22R-E engine is an in-line 4 cylinder 2.4 liter OHC 8 valve engine.

OPERATION

E61UV-02



EM5984
P13352

Z09706