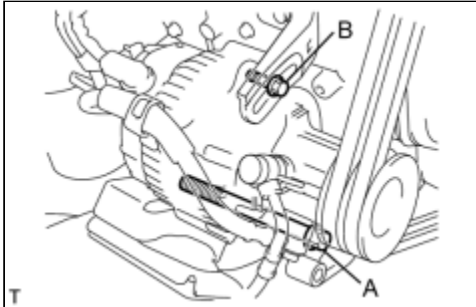


Last Modified: 9-29-2009	5.6 A	From: 200501
Model Year: 2006	Model: Hiace	Doc ID: RM00000122V000X
Title: 5L-E ENGINE MECHANICAL: DRIVE BELT: INSTALLATION (2006-2010 Hiace)		

INSTALLATION

1. INSTALL FAN & GENERATOR V BELT (w/o Air Conditioning)



(a) Install the V belt.

(b) Using a bar, adjust the tension of the V belt.

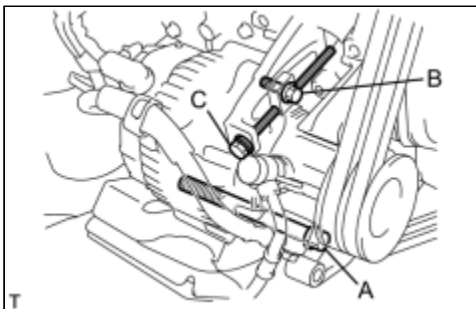
(c) Tighten the bolts A and B.

Bolt A - Torque: 75 N·m (765 kgf·cm, 55ft·lbf)

Bolt B - Torque: 18 N·m (185 kgf·cm, 13ft·lbf)

(d) Check the tension of the V belt. [INFO](#)

2. INSTALL FAN & GENERATOR V BELT (w/ Air Conditioning)



(a) Install the V belt.

(b) Tightening the bolt C, adjust the tension of the V belt.

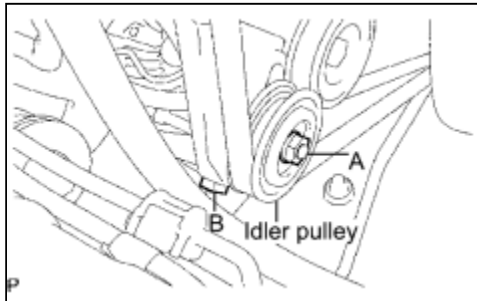
(c) Tighten the bolts A and B.

Bolt A - Torque: 75 N·m (765 kgf·cm, 55ft·lbf)

Bolt B - Torque: 18 N·m (185 kgf·cm, 13ft·lbf)

(d) Check the tension of the V belt. [INFO](#)

3. INSTALL V (COOLER COMPRESSOR TO CRANKSHAFT PULLEY) BELT NO.1 (w/ Air Conditioning)



(a) Install the V belt.

(b) Tightening the bolt B, adjust the tension of the V belt.

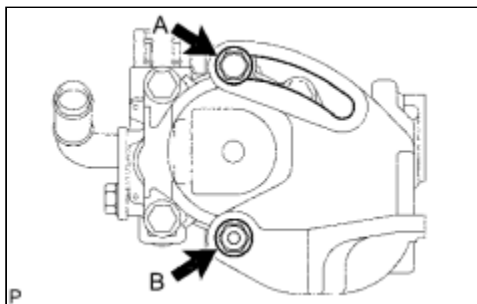
(c) Tighten nut A.

Torque: 39 N·m (400 kgf·cm, 29ft·lbf)

(d) Check the tension of the V belt.

INFO

4. INSTALL VANE PUMP V BELT



(a) Install the V belt.

(b) Using a bar, adjust the tension of the V-ribbed belt.

(c) Tighten the bolt A and nut B.

Bolt (A) - Torque: 48 N·m (489 kgf·cm, 35ft·lbf)

Nut (B) - Torque: 64 N·m (635 kgf·cm, 47ft·lbf)

(d) Check the tension of the V belt.

INFO

5. INSTALL ENGINE SERVICE HOLE SUB COVER SUB-ASSEMBLY

INFO

6. INSTALL FRONT DOOR SCUFF PLATE RH

7. INSTALL FRONT SEAT ASSEMBLY RH (for Hi-back Seat Type)

INFO

8. INSTALL FRONT SEAT ASSEMBLY RH (for Low-back Seat Type)**9. CONNECT CABLE TO NEGATIVE BATTERY TERMINAL****10. PERFORM INITIALIZATION**

Some systems need initialization when reconnecting the battery cable.

