

INTRODUCTION

HOW TO USE THIS MANUAL

IN002-09

INDEX

An INDEX is provided on the first page of each section to guide you to the item to be repaired. To assist you in finding your way through the manual, the Section Title and major heading are given at the top of every page.

GENERAL DESCRIPTION

At the beginning of each section, a General Description is given that pertains to all repair operations contained in that section.

Read these precautions before starting any repair task.

TROUBLESHOOTING

TROUBLESHOOTING tables are included for each system to help you diagnose the problem and find the cause.

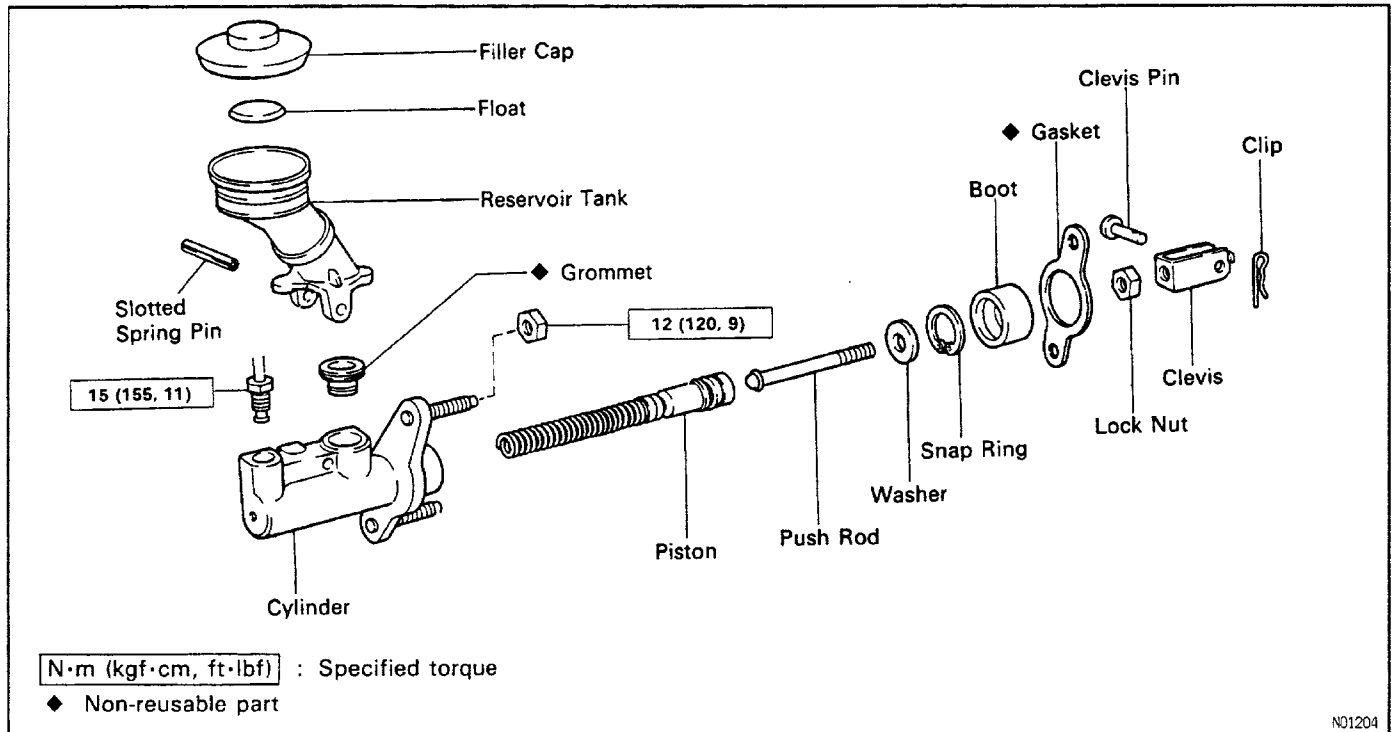
PREPARATION

Preparation lists the SST (Special Service Tools), recommended tools, equipment, lubricant and SSM (Special Service Materials) which should be prepared before beginning the operation and explains the purpose of each one.

REPAIR PROCEDURES

Most repair operations begin with an overview illustration. It identifies the components and shows how the parts fit together.

Example:

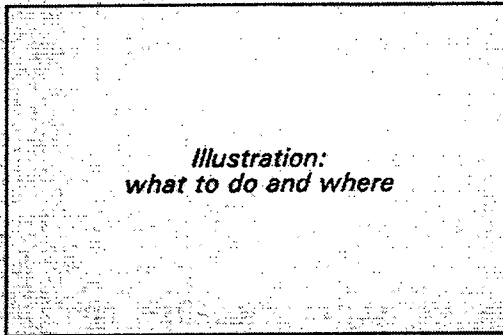


The procedures are presented in a step-by-step format:

Example:

- The illustration shows what to do and where to do it.
- The task heading tells what to do.
- The detailed text tells how to perform the task and gives other information such as specifications and warnings.

Task heading : what to do



*Illustration:
what to do and where*

21. CHECK PISTON STROKE OF OVERDRIVE BRAKE

- (a) Place SST and a dial indicator onto the overdrive brake piston as shown in the illustration.

SST 09350-30020 (09350-06120)

Set part No.

Component part No.

Detailed text: how to do task

- (b) Measure the stroke applying and releasing the compressed air (392 – 785 kPa, 4 – 8 kgf/cm² or 57 – 114 psi) as shown in the illustration.

Piston stroke: 1.40 – 1.70 mm (0.0551 – 0.0669 in.)

Specification

This format provides the experienced technician with a FAST TRACK to the information needed. The upper case task heading can be read at a glance when necessary, and the text below it provides detailed information. Important specifications and warnings always stand out in bold type.

REFERENCES

References have been kept to a minimum. However, when they are required you are given the page to refer to.

SPECIFICATIONS

Specifications are presented in bold type throughout the text where needed. You never have to leave the procedure to look up your specifications. They are also found at the end of each section, for quick reference.

CAUTIONS, NOTICES, HINTS:

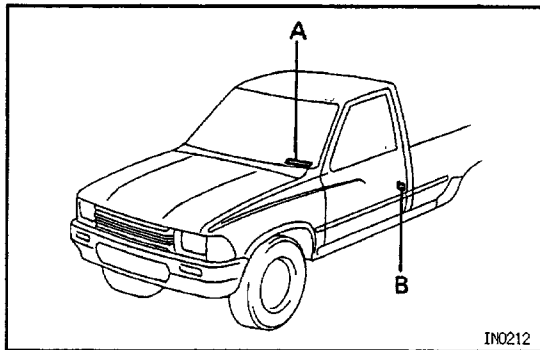
- **CAUTIONS** are presented in bold type, and indicate there is a possibility of injury to you or other people.
- **NOTICES** are also presented in bold type, and indicate the possibility of damage to the components being repaired.
- **HINTS** are separated from the text but do not appear in bold. They provide additional information to help you perform the repair efficiently.

SI UNIT

The UNITS given in this manual are primarily expressed according to the SI UNIT(International System of Unit), and alternately expressed in the metric system and in the English System.

Example:

Torque: 30 N–m (310 kgf–cm, 22 ft–lbf)

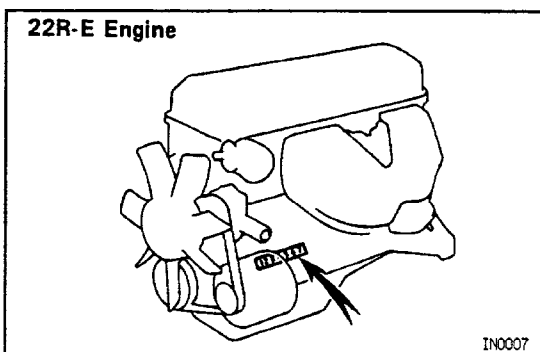


IDENTIFICATION INFORMATION

VEHICLE IDENTIFICATION NUMBER IN003-01

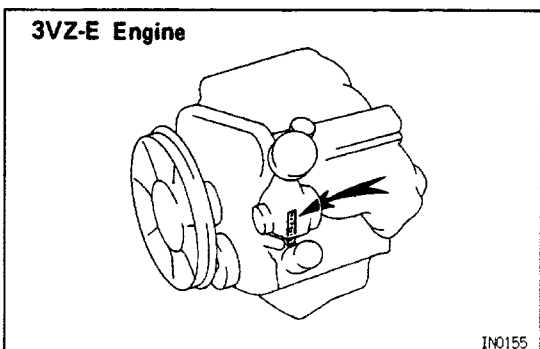
The vehicle identification number is stamped on the vehicle identification number plate and certification label.

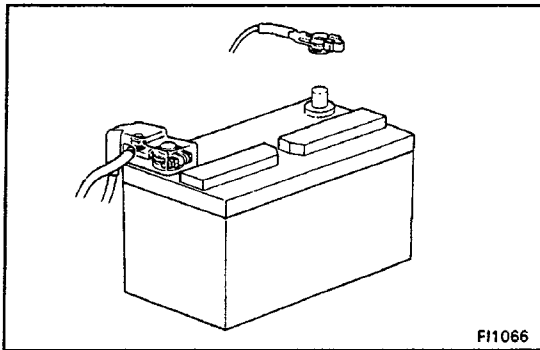
- A. Vehicle Identification Number Plate
- B. Certification Label



ENGINE SERIAL NUMBER IN00A-01

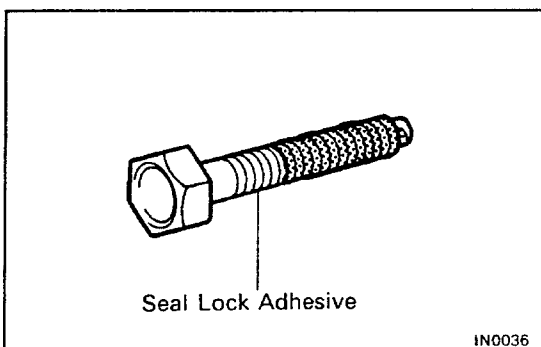
The engine serial number is stamped on the engine block as shown.





GENERAL REPAIR INSTRUCTIONS

1. Use fender, seat and floor covers to keep the vehicle clean and prevent damage.
2. During disassembly, keep parts in the appropriate order to facilitate reassembly.
3. Observe the following:
 - (a) Before performing electrical work, disconnect the negative cable from the battery terminal.
 - (b) If it is necessary to disconnect the battery for inspection or repair, always disconnect the cable from the negative (-) terminal which is grounded to the vehicle body.
 - (c) To prevent damage to the battery terminal post, loosen the terminal nut and raise the cable straight up without twisting or prying it.
 - (d) Clean the battery terminal posts and cable terminals with a clean shop rag. Do not scrape them with a file or other abrasive objects.
 - (e) Install the cable terminal to the battery post with the nut loose, and tighten the nut after installation. Do not use a hammer to tap the terminal onto the post.
 - (f) Be sure the cover for the positive (+) terminal is properly in place.
4. Check hose and wiring connectors to make sure that they are secure and correct.
5. Non-reusable parts
 - (a) Always replace cotter pins, gaskets, O-rings and oil seals etc. with new ones.
 - (b) Non-reusable parts are indicated in the component illustrations by the "♦" symbol.

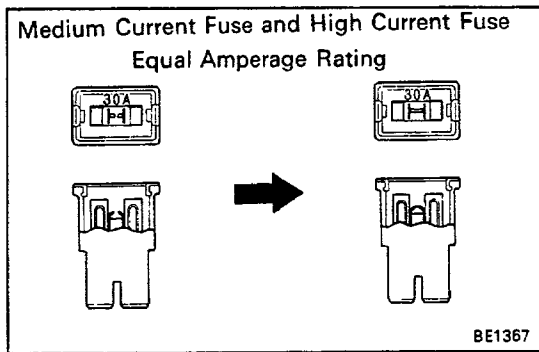


6. Precoated parts

Precoated parts are bolts and nuts, etc. that are coated with a seal lock adhesive at the factory.

- (a) If a precoated part is retightened, loosened or caused to move in any way, it must be recoated with the specified adhesive.

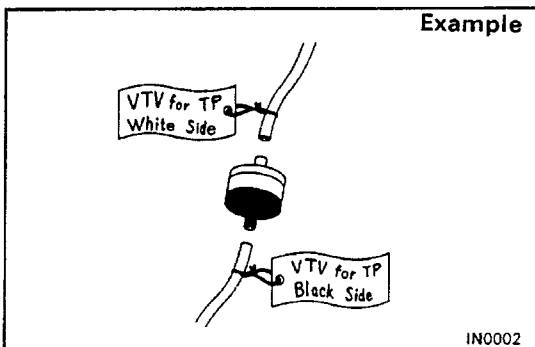
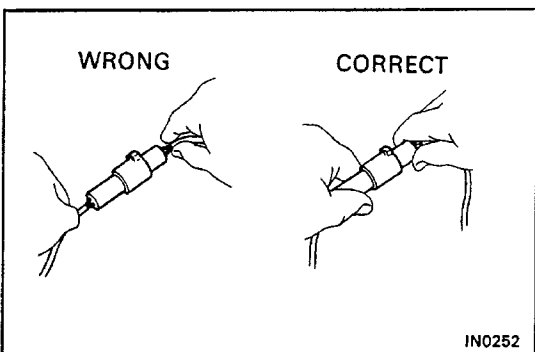
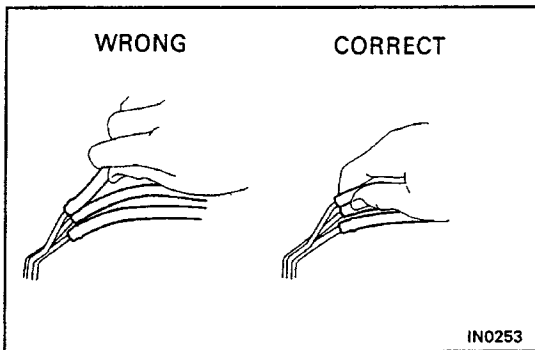
- (b) When reusing precoated parts, clean off the old adhesive and dry with compressed air. Then apply the specified seal lock adhesive to the bolt, nut or threads.
- (c) Precoated parts are indicated in the component illustrations by the "*" symbol.
- 7. When necessary, use a sealer on gaskets to prevent leaks.
- 8. Carefully observe all specifications for bolt tightening torques. Always use a torque wrench.
- 9. Use of special service tools (SST) and special service materials (SSM) may be required, depending on the nature of the repair. Be sure to use SST and SSM where specified and follow the proper work procedure. A list of SST and SSM can be found in the preparation part at the front of each section in this manual.



- 10. When replacing fuses, be sure the new fuse has the correct amperage rating. DO NOT exceed the rating or use one with a lower rating.

Illustration	Symbol	Part Name	Abbreviation
<p>BE5594</p>	<p>IN0365</p>	FUSE	FUSE
<p>BE5595</p>	<p>IN0366</p>	MEDIUM CURRENT FUSE	M-FUSE
<p>BE5596</p>	<p>IN0367</p>	HIGH CURRENT FUSE	H-FUSE
<p>BE5597</p>	<p>IN0367</p>	FUSIBLE LI1VK	FL
<p>BE5598</p>	<p>IN0368</p>	CIRCUIT BREAKER	CB

11. Care must be taken when jacking up and supporting the vehicle. Be sure to lift and support the vehicle at the proper locations (See page IN-9).
 - (a) If the vehicle is to be jacked up only at the front or rear end, be sure to block the wheels at the opposite end in order to ensure safety.
 - (6) After the vehicle is jacked up, be sure to support it on stands. It is extremely dangerous to do any work on a vehicle raised on a jack alone, even for a small job that can be finished quickly.
12. Observe the following precautions to avoid damage to the parts:
 - (a) Do not open the cover or case of the ECU, ECM, PCM or TCM unless absolutely necessary. (If the IC terminals are touched, the IC may be destroyed by static electricity.)



- (b) To disconnect vacuum hoses, pull on the end, not the middle of the hose.
 - (c) To pull apart electrical connectors, pull on the connector itself, not the wires.
 - (d) Be careful not to drop electrical components, such as sensors or relays. If they are dropped on a hard floor, they should be replaced and not reused.
 - (e) When steam cleaning an engine, protect the distributor, air filter, and VCV from water.
 - (f) Never use an impact wrench to remove or install temperature switches or temperature sensors.
 - (g) When checking continuity at the wire connector, insert the tester probe carefully to prevent terminals from bending.
 - (h) When using a vacuum gauge, never force the hose onto a connector that is too large. Use a step-down adapter instead. Once the hose has been stretched, it may leak.
13. Tag hoses before disconnecting them:
 - (a) When disconnecting vacuum hoses, use tags to identify how they should be reconnected.
 - (b) After completing a job, double check that the vacuum hoses are properly connected. A label under the hood shows the proper layout.

PRECAUTION FOR VEHICLES EQUIPPED WITH A CATALYTIC CONVERTER

CAUTION: If large amounts of unburned gasoline flow into the converter, it may overheat and create a fire hazard. To prevent this, observe the following precautions and explain them to your customer.

1. Use only unleaded gasoline.

2. Avoid prolonged idling.

Avoid running the engine at idle speed for more than 20 minutes.

3. Avoid spark jump test.

(a) Perform spark jump test only when absolutely necessary. Perform this test as rapidly as possible.

(b) While testing, never race the engine.

4. Avoid prolonged engine compression measurement.

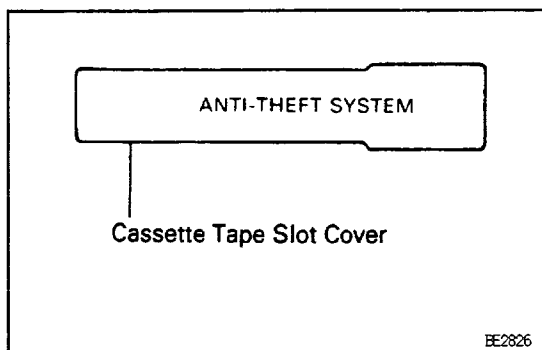
Engine compression tests must be done as rapidly as possible.

5. Do not run engine when fuel tank is nearly empty.

This may cause the engine to misfire and create an extra load on the converter.

6. Avoid coasting with ignition turned off and prolonged braking.

7. Do not dispose of used catalyst along with parts contaminated with gasoline or oil.



IN-01

FOR VEHICLES WITH AN AUDIO SYSTEM WITH BUILT-IN ANTI-THEFT SYSTEM

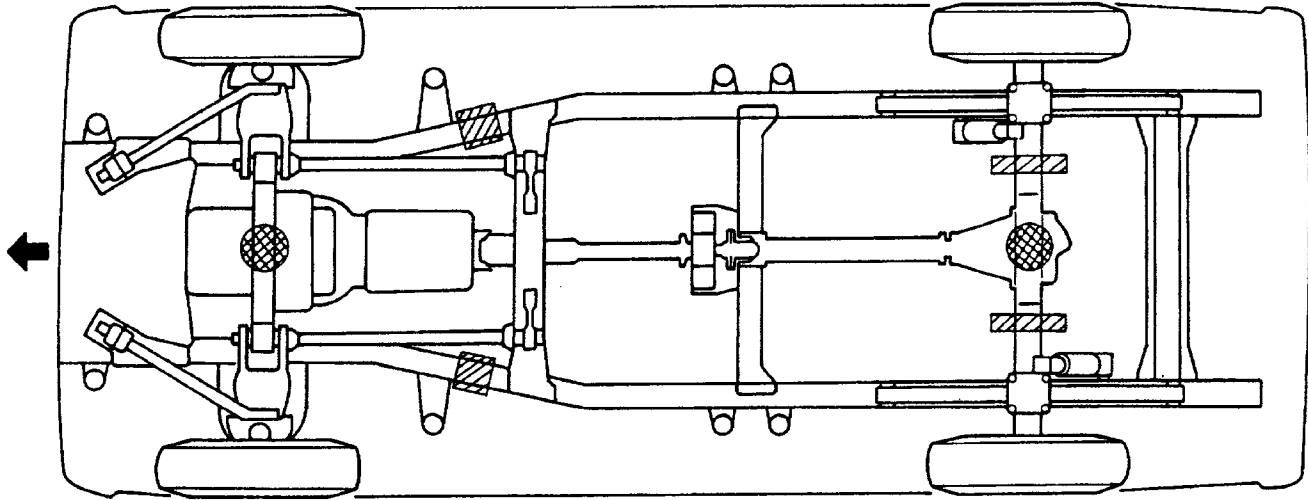
Audio System displaying the sign "ANTI-THEFT SYSTEM" shown on the left has a built-in anti-theft system which makes the audio system soundless if stolen.

If the power source for the audio system is cut even once, the anti-theft system operates so that even if the power source is reconnected, the audio system will not produce any sound unless the ID number selected by the customer is input again. Accordingly, when performing repairs on vehicles equipped with this system, before disconnecting the battery terminals or removing the audio system the customer should be asked for the ID number so that the technician can input the ID number afterwards, or else a request made to the customer to input the ID number. For the method to input the ID number or cancel the anti-theft system, refer to the Owner's Manual.

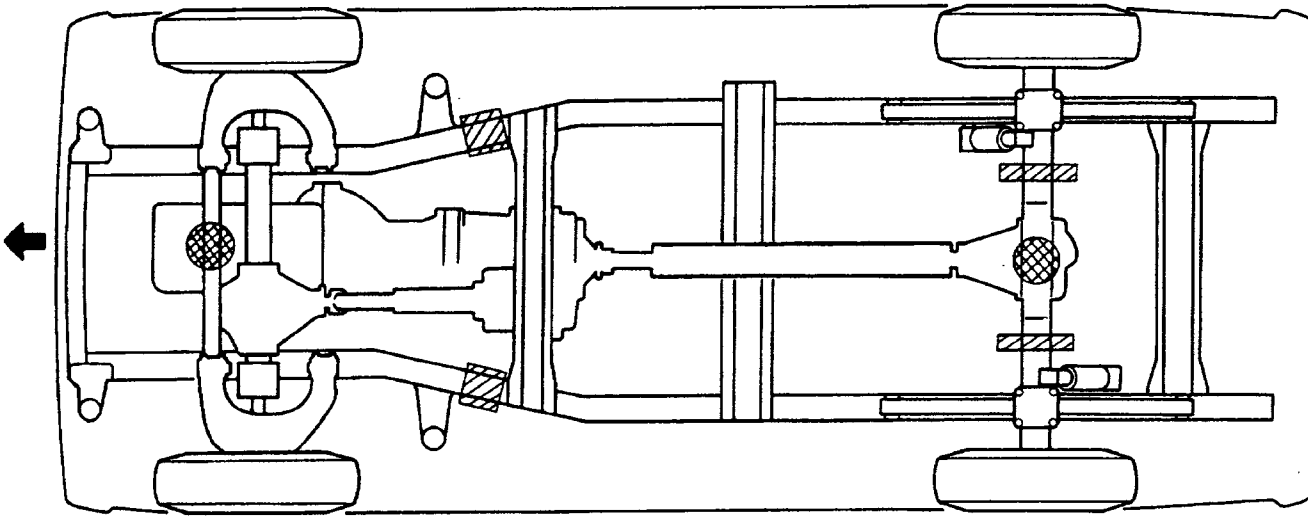
VEHICLE LIFT AND SUPPORT LOCATIONS


IN007-01

[2WD]



[4WD]



JACK POSITION 

Front Center of crossmember

Rear Under the rear differential

SUPPORT POSITION

Safety stand 

IN0012
IN0108

Z04590

ABBREVIATIONS USED IN THIS MANUAL

IN01D-0C

ADD	Automatic Disconnecting Differential
ALR	Automatic Locking Retractor
A/T	Automatic Transmission
ATF	Automatic Transmission Fluid
BTDC	Before Top Dead Center
Calif.	California
CB	Circuit Breaker
C&C	Cab and Chassis
DP	Dash Pot
DRW	Double Rear Wheel
ECU	Electronic Control Unit
ELR	Emergency Locking Retractor
ESA	Electronic Spark Advance
EX	Exhaust (Manifold, Valve)
Ex.	Except
Fed.	Vehicles Sold in USA except California
FIPG	Formed in Place Gasket
FL	Fusible Link
Fr	Front
IG	Ignition
IN	Intake (Manifold, Valve)
J/6	Junction Block
LH	Left-Hand
LSPV	Load Sensing Proportioning Valve
LSP & BV	Load Sensing Proportioning and By-Pass Valve
Max.	Maximum
Min.	Minimum
MP	Multipurpose
M/T	Manual Transmission
O/D, OD	Overdrive
OHC	Over Head Camshaft
o/s	Oversize
PCV	Positive Crankcase Ventilation
PPS	Progressive Power Steering
PS	Power Steering
RH	Right-Hand
Rr	Rear
SRW	Single Rear Wheel
SSM	Special Service Materials
SST	Special Service Tools
STD	Standard
SW	Switch

TCCS	Toyota Computer Controlled System
TDC	Top Dead Center
TEMP.	Temperature
T/M	Transmission
U/S	Undersize
VCV	Vacuum Control Valve
VSV	Vacuum Switching Valve
VTV	Vacuum Transmitting Valve
w/	With
w/o	Without
2WD	Two Wheel Drive Vehicles (4 x 2)
4WD	Four Wheel Drive Vehicles (4 x 4)

GLOSSARY OF SAE AND TOYOTA TERMS

M076-03

This glossary lists all SAE-J 1930 terms and abbreviations used in this manual in compliance with SAE recommendations, as well as their Toyota equivalents.

SAE ABBRE- VIATIONS	SAE TERMS	TOYOTA TERMS ()—ABBREVIATIONS
A/C	Air Conditioning	Air Conditioner
ACL	Air Cleaner	Air Cleaner
AIR	Secondary Air Injection	Air Injection (AD)
AP	Accelerator Pedal	--
B+	Battery Positive Voltage	+ B, Battery Voltage
BARO	Barometric Pressure	--
CAC	Charge Air Cooler	Intercooler
CARB	Carburetor	Carburetor
CFI	Continuous Fuel Injection	--
CKP	Crankshaft Position	Crank Angle
CL	Closed Loop	Closed Loop
CMP	Camshaft Position	Cam Angle
CPP	Clutch Pedal Position	--
CTOX	Continuous Trap Oxidizer	--
CT P	Closed Throttle Position	--
D FI	Direct Fuel Injection (Diesel)	Direct Injection (DI)
DI	Distributor ignition	--
DLC1 DLC2 DLC3	Data Link Connector 1 Data Link Connector 2 Data Link Connector 3	1: Check Connector 2: Toyota Diagnosis Communication Link (TDCL) 3: OBDII Diagnostic Connector
DTC	Diagnostic Trouble Code	Diagnostic Code
DTM	Diagnostic Test Mode	--
ECL	Engine Control Level	--
ECM	Engine Control Module	Engine ECU (Electronic Control Unit)
ECT	Engine Coolant Temperature	Coolant Temperature, Water Temperature (THW)
EEPROM	Electrically Erasable Programmable Read Only Memory	Electrically Erasable Programmable Read Only Memory (EEPROM), Erasable Programmable Read Only Memory (EPROM)
EFE	Early Fuel Evaporation	Cold Mixture Heater (CMH), Heat Control Valve (HCV)
EGR	Exhaust Gas Recirculation	Exhaust Gas Recirculation (EGR)
EI	Electronic Ignition	Toyota Distributable Ignition (TDI)
EM	Engine Modification	Engine Modification (EM)
EPROM	Erasable Programmable Read Only Memory	Programmable Read Only Memory (PROM)
EVAP	Evaporative Emission	Evaporative Emission Control (EVAP)
FC	Fan Control	--
FEEPROM	Flash Electrically Erasable Programmable Read Only Memory	--
FEPROM	Flash Erasable Programmable Read Only Memory	--
FF	Flexible Fuel	--
FP	Fuel Pump	Fuel Pump
GEN	Generator	Alternator
GND	Ground	Ground (GND)
H02S	Heated Oxygen Sensor	Heated Oxygen Sensor (H02S)







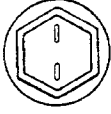
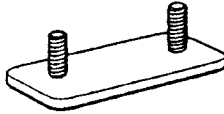

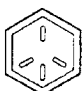
IAC	Idle Air Control	Idle Speed Control (ISC)
IAT	Intake Air Temperature	Intake or Inlet Air Temperature
ICM	Ignition Control Module	–
IFI	Indirect Fuel Injection	Indirect injection
IFS	Inertia Fuel–Shutoff	–
ISC	Idle Speed Control	–
KS	Knock Sensor	Knock Sensor
MAF	Mass Air Flow	Air Flow Meter
MAP	Manifold Absolute Pressure	Manifold Pressure Intake Vacuum
MC	Mixture Control	Electric Bleed Air Control Valve (EBCV) Mixture Control Valve (MCV) Electric Air Control Valve (EACV)
MDP	Manifold Differential Pressure	–
MFI	Multiport Fuel Injection	Electronic Fuel Injection (EFI)
MIL	Malfunction Indicator Lamp	Check Engine Light
MST	Manifold Surface Temperature	–
MVZ	Manifold Vacuum Zone	–
NVRAM	Non–Volatile Random Access Memory	–
O2S	Oxygen Sensor	Oxygen Sensor, O ₂ Sensor (O2S)
OBD	On–Board Diagnostic	On–Board Diagnostic (OBD)
OC	Oxidation Catalytic Converter	Oxidation Catalyst Converter (OC), CCo
OP	Open Loop	Open Loop
PAIR	Pulsed Secondary Air Injection	Air Suction (AS)
PCM	Powertrain Control Module	–
PNP	Park/Neutral Position	–
PROM	Programmable Read Only Memory	–
PSP	Power Steering Pressure	–
PTOX	Periodic Trap Oxidizer	Diesel Particulate Filter (DPF) Diesel Particulate Trap (DPT)
RAM	Random Access Memory	Random Access Memory (RAM)
RM	Relay Module	–
ROM	Read Only Memory	Read Only Memory (ROM)
RPM	Engine Speed	Engine Speed
SC	Supercharger	Supercharger
SCB	Supercharger Bypass	–
SFI	Sequential Multiport Fuel Injection	Electronic Fuel Injection (EFI), Sequential Injection
SPL	Smoke Puff Limiter	–
SRI	Service Reminder Indicator	–
SRT	System Readiness Test	–
ST	Scan Tool	–
TB	Throttle Body	Throttle Body
TBI	Throttle Body Fuel Injection	Single Point Injection Central Fuel Injection (Ci)
TC	Turbocharger	Turbocharger
TCC	Torque Converter Clutch	Torque Converter
TCM	Transmission Control Module	Transmission ECU (Electronic Control Unit)
TP	Throttle Position	Throttle Position
TR	Transmission Range	–

TVV	Thermal Vacuum Valve	Bimetal Vacuum Switching Valve (BVSV) Thermostatic Vacuum Switching Valve (TVSV)
twc	Three-Way Catalytic Converter	Three-Way Catalyst (TWC) CCRO
TWC+OC	Three-Way + Oxidation Catalytic Converter	CC _R + CCo
VAF	Volume Air Flow	Air Flow Meter
VR	Voltage Regulator	Voltage Regulator
VSS	Vehicle Speed Sensor	Vehicle Speed Sensor (Read Switch Type)
wot	Wide Open Throttle	Full Throttle
WU-OC	Warm Up Oxidation Catalytic Converter	-
WU-TWC	Warm Up Three-Way Catalytic Converter	Manifold Converter
3GR	Third Gear	--
4GR	Fourth Gear	--

STANDARD BOLT TORQUE SPECIFICATIONS

IN008-01

HOW TO DETERMINE BOLT STRENGTH

	Mark	Class		Mark	Class
Hexagon head bolt	 <p>Bolt head No</p> <p>4- 5- 6- 8- 9- 10- 11-</p>	<p>4T 5T 6T 7T 8T 9T 10T 11T</p>	Stud bolt	 <p>No mark</p>	4T
	 <p>No mark</p>	4T			
Hexagon flange bolt w/ washer hexagon bolt	 <p>No mark</p>	4T	Welded bolt	 <p>Grooved</p>	6T
Hexagon head bolt	 <p>Two protruding lines</p>	5T			
Hexagon flange bolt w/ washer hexagon bolt	 <p>Two protruding lines</p>	6T	Welded bolt		4T
Hexagon head bolt	 <p>Three protruding lines</p>	7T			
Hexagon head bolt	 <p>Four protruding lines</p>	8T			

SPECIFIED TORQUE FOR STANDARD BOLTS

Class	Diameter mm	Pitch mm	Specified torque					
			Hexagon head bolt			Hexagon flange bolt		
			N·m	kgf·cm	ft·lbf	N·m	kgf·cm	ft·lbf
4T	6	1	5	55	48 in.·lbf	6	60	52 in.·lbf
	8	1.25	12.5	130	9	14	145	10
	10	1.25	26	260	19	29	290	21
	12	1.25	47	480	35	53	540	39
	14	1.5	74	760	55	84	850	61
	16	1.5	115	1,150	83	—	—	—
5T	6	1	6.5	65	56 in.·lbf	7.5	75	65 in.·lbf
	8	1.25	15.5	160	12	17.5	175	13
	10	1.25	32	330	24	36	360	26
	12	1.25	59	600	43	65	670	48
	14	1.5	91	930	67	100	1,050	76
	16	1.5	140	1,400	101	—	—	—
6T	6	1	8	80	69 in.·lbf	9	90	78 in.·lbf
	8	1.25	19	195	14	21	210	15
	10	1.25	39	400	29	44	440	32
	12	1.25	71	730	53	80	810	59
	14	1.5	110	1,100	80	125	1,250	90
	16	1.5	170	1,750	127	—	—	—
7T	6	1	10.5	110	8	12	120	9
	8	1.25	25	260	19	28	290	21
	10	1.25	52	530	38	58	590	43
	12	1.25	95	970	70	105	1,050	76
	14	1.5	145	1,500	108	165	1,700	123
	16	1.5	230	2,300	166	—	—	—
8T	8	1.25	29	300	22	33	330	24
	10	1.25	61	620	45	68	690	50
	12	1.25	110	1,100	80	120	1,250	90
9T	8	1.25	34	340	25	37	380	27
	10	1.25	70	710	51	78	790	57
	12	1.25	125	1,300	94	140	1,450	105
10T	8	1.25	38	390	28	42	430	31
	10	1.25	78	800	58	88	890	64
	12	1.25	140	1,450	105	155	1,600	116
11T	8	1.25	42	430	31	47	480	35
	10	1.25	87	890	64	97	990	72
	12	1.25	155	1,600	116	175	1,800	130

MAINTENANCE OPERATIONS

ENGINE

Cold Engine Operations

1. (3VZ-E ENGINE)

REPLACE TIMING BELT

- (a) Remove the timing belt.
(See pages EG-32)
- (b) Install the timing belt.
(See pages EG-41)

2. INSPECT DRIVE BELTS

- (a) Visually check the belt for excessive wear, frayed cords etc.

HINT:

Conventional type:

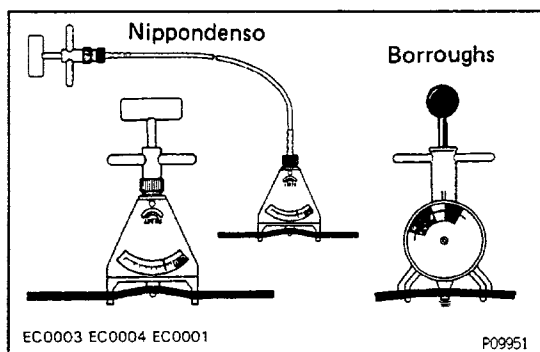
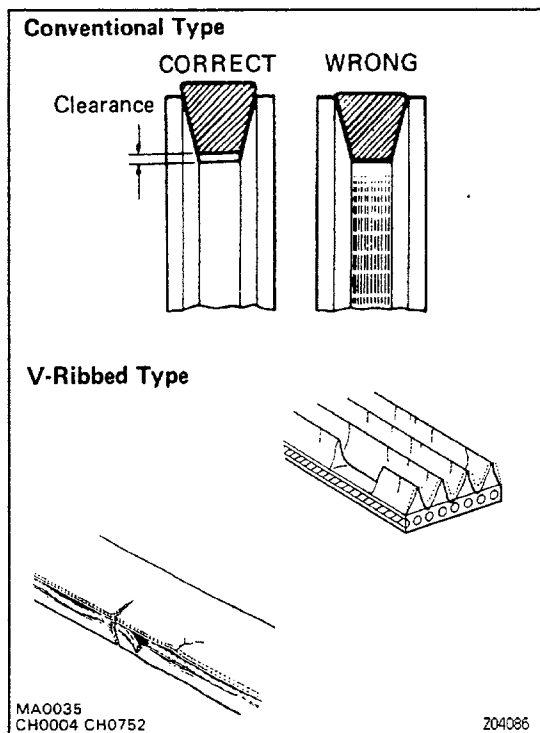
Check that the belt does not touch the bottom of the pulley groove.

If necessary, replace the drive belt.

V-Ribbed type:

Cracks on the ribbed side of the belt are considered acceptable.

If the belt has chunks missing from the ribs, it should be replaced.



- (b) Using a belt tension gauge, check the drive belt tension.

Belt tension gauge:

**Nippondenso BTG – 20 (95506-00020) or
Borroughs No. BT-33-73F**

Drive belt tension:

22R-E Used belt 80 ± 20 lbf

New belt 125 ± 25 lbf

3VZ – E

Generator Used belt 100 ± 20 lbf

New belt 160 ± 20 lbf

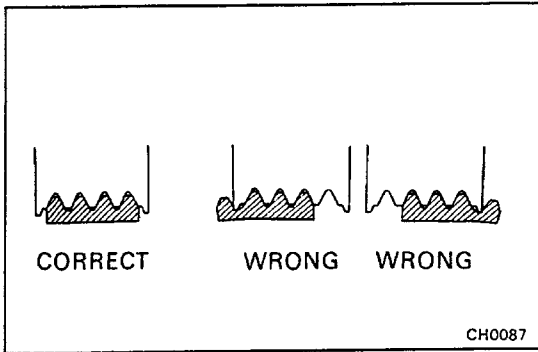
PS Used belt 80 ± 20 lbf

New belt 125 ± 25 lbf

A/C Used belt 80 20 lbf

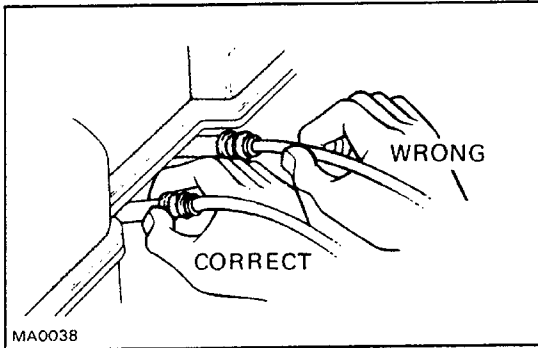
New belt 125 ± 25 lbf

If necessary, adjust the drive belt tension.



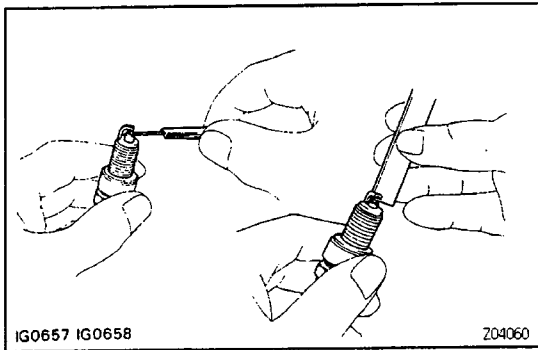
HINT:

- "New belt" refers to a belt which has been used less than 5 minutes on a running engine.
- "Used belt" refers to a belt which has been used on a running engine for 5 minutes or more.
- After replacing the drive belt, check that it fits properly in the ribbed grooves, especially in the places difficult to see.
- After installing a new belt, run the engine for approx. 5 minutes and then recheck the tension.



3. REPLACE SPARK PLUGS

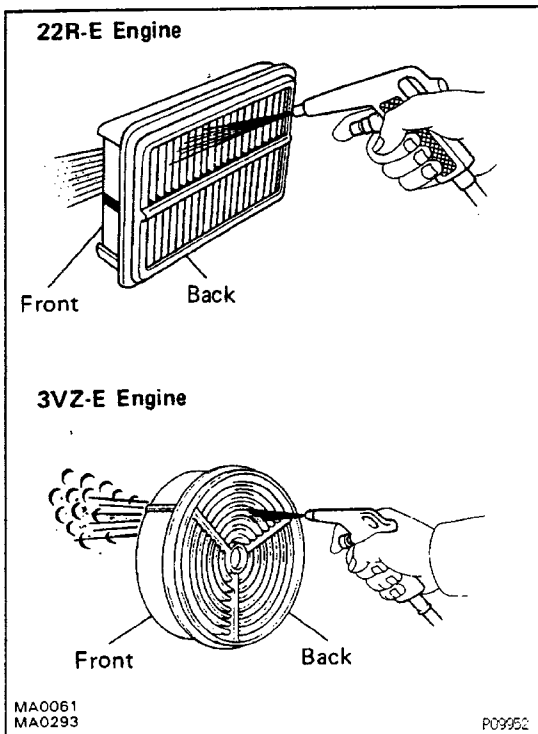
- Disconnect the high-tension cords at the boot.
Do not pull on the cords.
- (2213 – E)
Remove the spark plugs.
(3VZ – E)
Using plug wrench (16 mm), remove the spark plugs.



- Check the electrode gap of new spark plugs.

**Correct electrode gap:
0.8 mm (0.031 in.)**

**Recommended spark plugs:
22R-E ND W16EXR-U
NGK BPRSEY
3VZ-E ND K76R-U
NGK BKR5EYA**



4. INSPECT AIR FILTER

- Visually check that the air cleaner element is not excessively dirty, damaged or oily.

HINT: Oiliness may indicate a stuck PCV valve.
If necessary, replace the air cleaner element.

- Clean the element with compressed air.
First blow from back side thoroughly, then blow off the front side of the element.

5. REPLACE AIR FILTER

Replace the used air cleaner element with a new one.

6. REPLACE ENGINE OIL AND OIL FILTER

22R – E (See page EG-236)

3VZ- E (See page EG-278)

Oil grade:

**API grade SG Energy – Conserving II multigrade
and recommended viscosity oil**

Engine oil capacity:

Drain and refill

22 R – E**w/o Oil filter change**

3.8 liters (4.0 US qts, 3.3 Imp. qts)

w/ Oil filter change

4.3 liters (4.5 US qts, 3.8 Imp. qts)

3VZ-E**w/o Oil filter change**

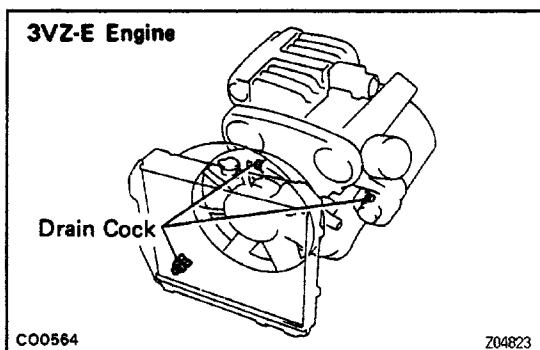
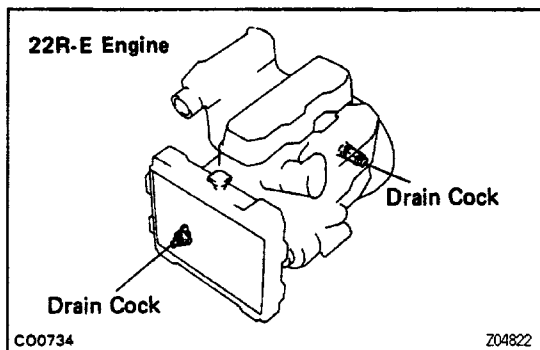
2WD 4.0 liters (4.2 US qts, 3.5 Imp. qts)

4WD 4.2 liters (4.4 US qts, 3.7 Imp. qts)

w/ Oil filter change

2WD 4.3 liters (4.5 US qts, 3.8 Imp. qts)

4WD 4.5 liters (4.8 US qts, 4.0 Imp. qts)

**7. REPLACE ENGINE COOLANT**

- Drain the coolant from the radiator and engine drain cocks.
- Close the drain cocks.
- Fill system with coolant.

Coolant capacity (w/ Heater or air conditioner):**22R-E**

Ex. 4WD A/T 8.4 liters (8.8 US qts, 7.4 Imp. qts)

4WD A/T 9.1 liters 0.6 US qts, 8.0 Imp. qts)

3VZ-E

2WD M/T 10.4 liters (11.0 US qts, 9.2 Imp. qts)

A/T 10.2 liters (10.8 US qts, 9.5 Imp. qts)

4WD M/T 10.5 liters (11.1 US qts, 9.2 Imp. qts)

A/T 10.3 liters (10.9 US qts, 9.1 Imp. qts)

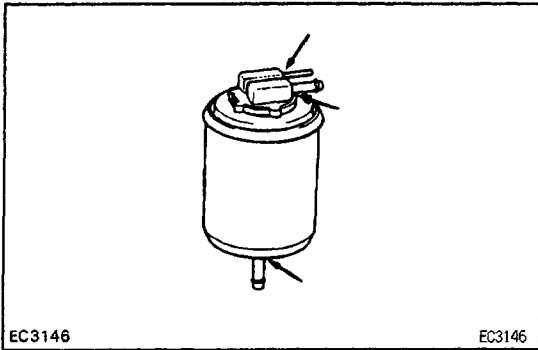
HINT:

Use a good brand of ethylene-glycol base coolant, mixed according to the manufacturer's instructions.

Using coolant which has more than 50% ethylene-glycol (but not more than 70%) is recommended.

NOTICE:

- Do not use an alcohol type coolant.
- The coolant should be mixed with demineralized water or distilled water.

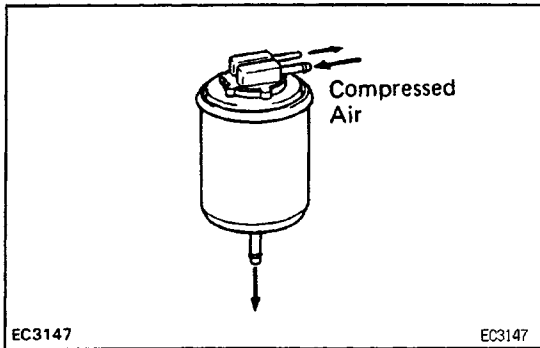


8. INSPECT CHARCOAL CANISTER

(a) Remove charcoal canister.

HINT: Label hoses for correct installation.

(b) Visually inspect canister case.

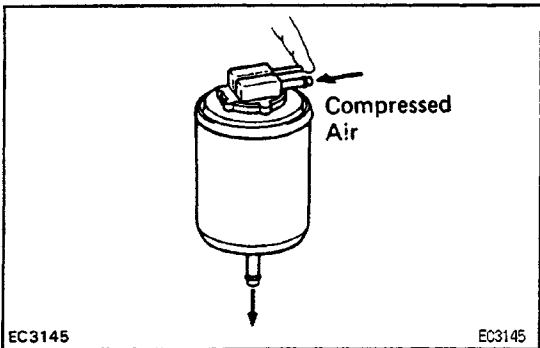


(c) Check for clogged filter and stuck check valve.

(1) Using low compressed air (4.71 kPa (48 gf/cm², 0.68 psi), blow into the tank pipe and check that air flows without resistance from the other pipes.

(2) Blow air (4.71 kPa (48 gf/cm², 0.68 psi) into the purge pipe and check that air does not flow from the other pipes.

If a problem is found, replace the charcoal canister.



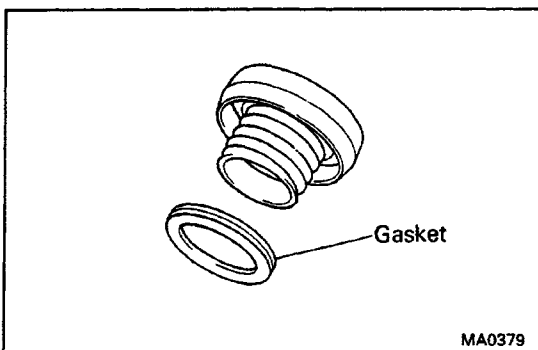
(d) Clean filter in canister.

(1) Clean the filter by blowing 294kPa (3 kgf/cm², 43 psi) of compressed air into the tank pipe while holding the purge pipe closed.

NOTICE:

- Do not attempt to wash the canister.
- No activated carbon should come out.

(e) Install charcoal canister.



9. REPLACE GASKET IN FUEL TANK CAP

(a) Remove the old gasket (O-ring) from the tank cap.

Do not damage the cap.

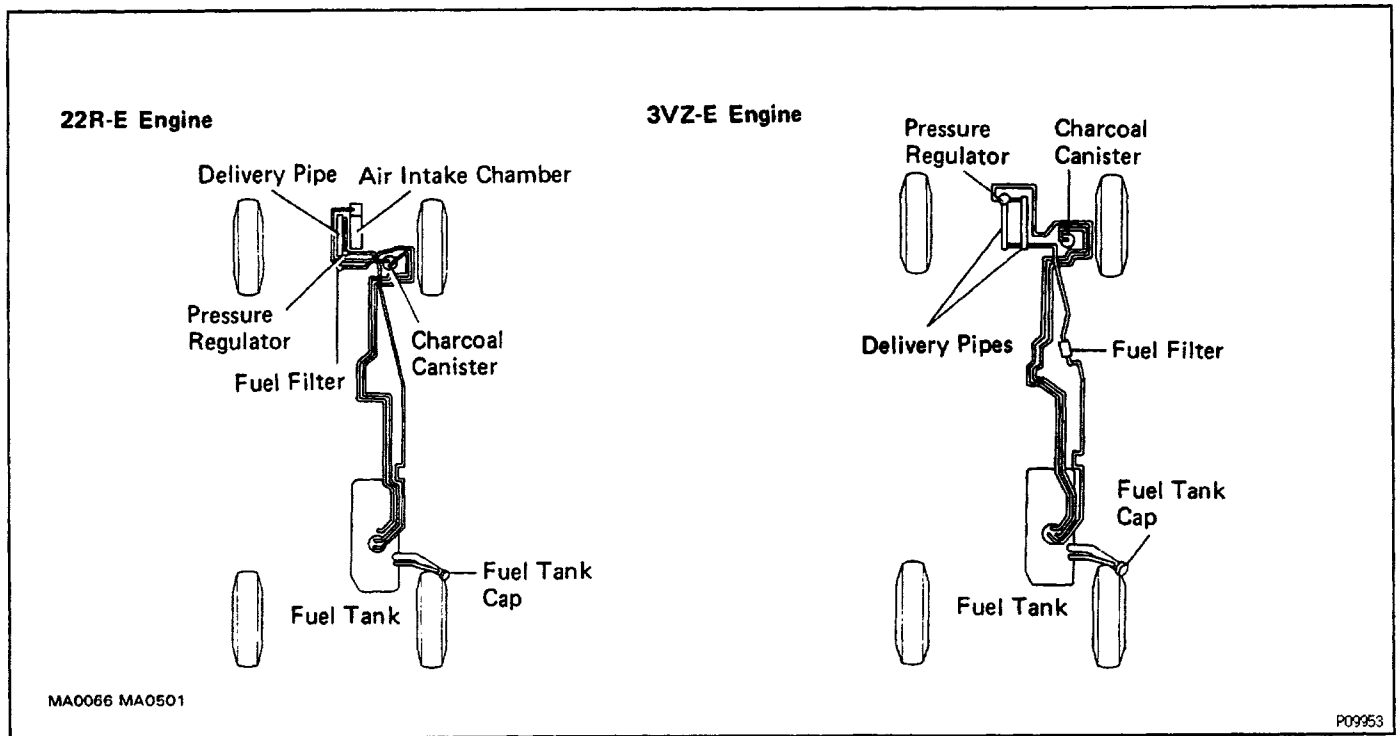
(b) Install a new gasket by hand.

(c) Inspect the cap for damage or cracks.

(d) Install the cap and check the torque limiter.

10. INSPECT FUEL LINES AND CONNECTIONS

Visually inspect the fuel lines for cracks, leakage loose connections, deformation or tank band looseness.



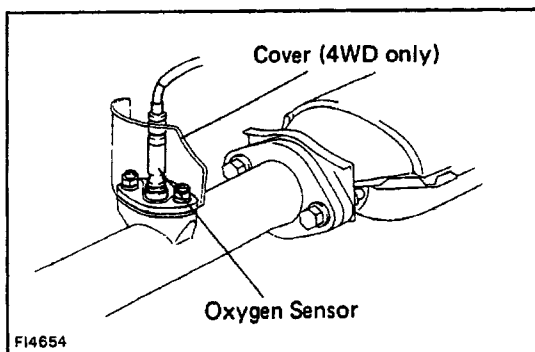
11. INSPECT EXHAUST PIPES AND MOUNTINGS

Visually inspect the pipes, hangers and connections for severe corrosion, leaks or damage.

12. (3VZ-E ENGINE)

ADJUST VALVE CLEARANCE

(See page [EG-18](#))



13. (FEDERAL AND CANADA)

REPLACE OXYGEN SENSOR

- Disconnect the oxygen sensor wiring connector.
- Remove the cover (4WD), oxygen sensor and gasket from the exhaust pipe.
- Install a new gasket, oxygen sensor and cover (4WD) to the exhaust pipe.

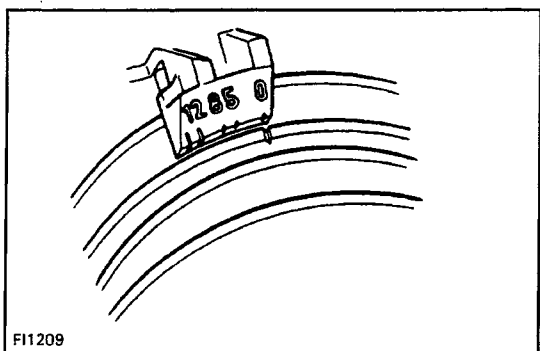
Torque: 20 N-m (200 kgf-cm, 14 ft-lbf)

- Inspect oxygen sensor operation.

Inspect feedback control.

22R-E (See page [EG-212](#))

3VZ-E (See page [EG-252](#))



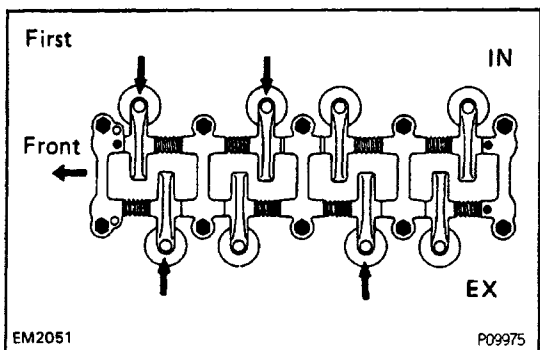
Hot Engine Operations

14. (22R-E ENGINE)

ADJUST VALVE CLEARANCE

- (a) Warm up the engine to normal operating temperature.
- (b) Stop the engine and remove the cylinder head cover.
- (c) Set No.1 cylinder to TDC/compression.
 - Turn the crankshaft with a wrench to align the timing marks at TDC. Set the groove on the pulley to the "O" position.
 - Check that the rocker arms on No.1 cylinder are loose and rocker arms on No.4 cylinder are tight.

If not, turn the crankshaft one complete revolution and align marks as above.



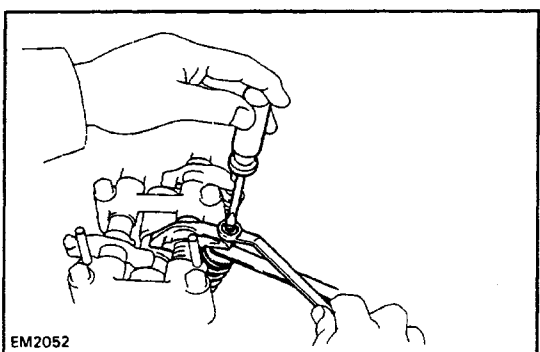
- (d) Adjust the clearance of half of the valves.

- Adjust only the valves indicated by arrows.

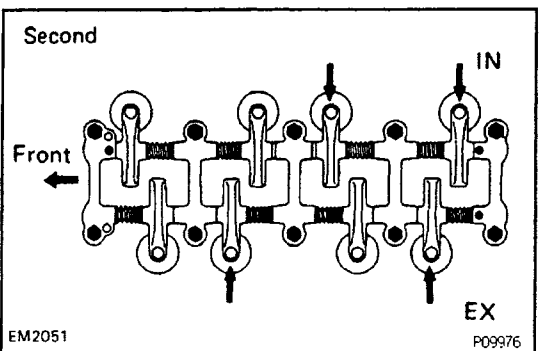
Valve clearance:

Intake 0.20 mm (0.008 in.)

Exhaust 0.30 mm (0.012 in.)



- Use a thickness gauge to measure between the valve stem and rocker arm. Loosen the lock nut and turn the adjusting screw to set the proper clearance. Hold the adjusting screw in position, and tighten the lock nut.
- Recheck the clearance. The thickness-gauge should move with a very slight drag.



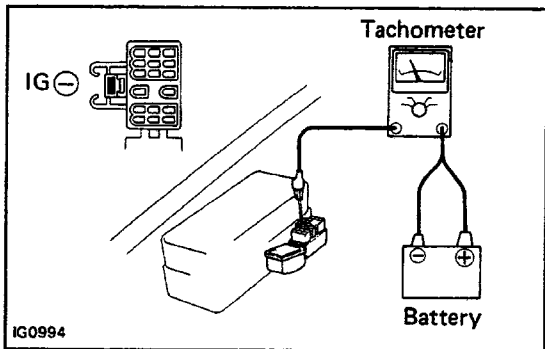
- (e) Turn the crankshaft one complete revolution (360 °) and align timing marks in the manner mentioned above. Adjust only the valves indicated by arrows.

- (f) Reinstall the cylinder head cover.

16. ADJUST IDLE SPEED

- (a) Preparation

- Install air cleaner
- Connect all pipes and hoses of air intake system



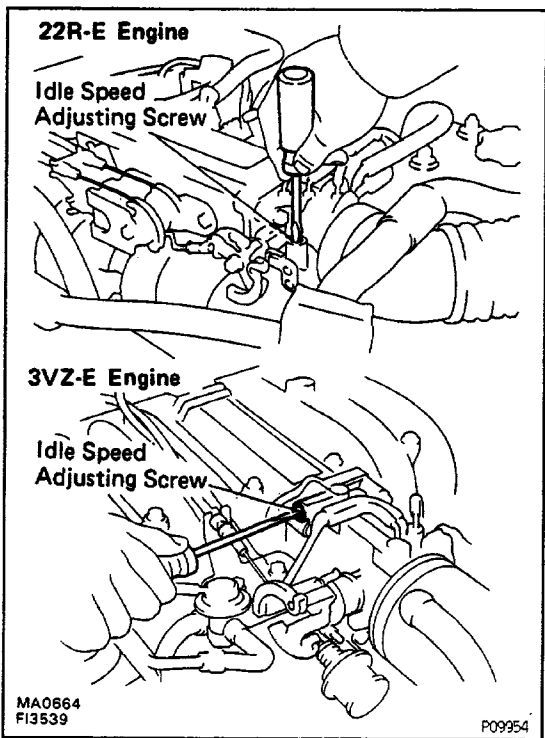
- Connect all vacuum lines (i.e., EVAP, EGR system, etc.)
- Make sure all MFI system wiring connectors are fully connected
- Engine should be at normal operating temperature
- Switch off accessories
- Set transmission in neutral

(b) Connect a tachometer– to the engine

Connect the tachometer– test probe to the iG E) terminal of the DLC1.

NOTICE:

- **NEVER** allow the tachometer terminal to touch ground as it could result in damage to the igniter and/or ignition coil.
- As some tachometers are not compatible with this ignition system, we recommend that you confirm the compatibility of your unit before use.

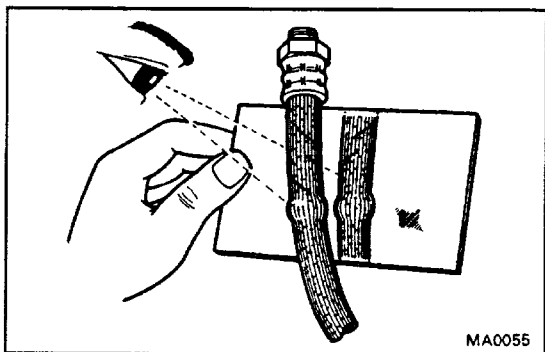


- (c) Race the engine at 2,500 rpm for approx. 2 minutes.
- (d) Set the idle speed by turning the idle speed adjusting screws.

Idle speed:

- 22R-E 4WD A/T 850 rpm**
- Ex. 4WD A/T 750 rpm**
- 3VZ-E 800 rpm**

(e) Remove the tachometer.

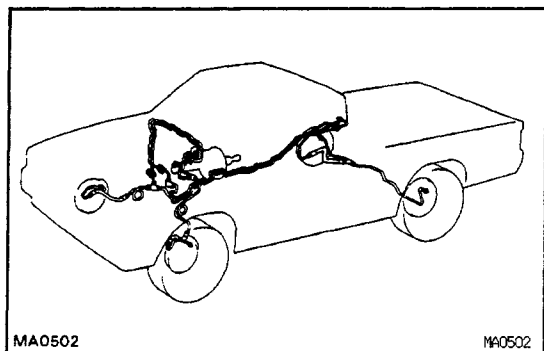


BRAKES

16. INSPECT BRAKE LINE PIPES AND HOSES

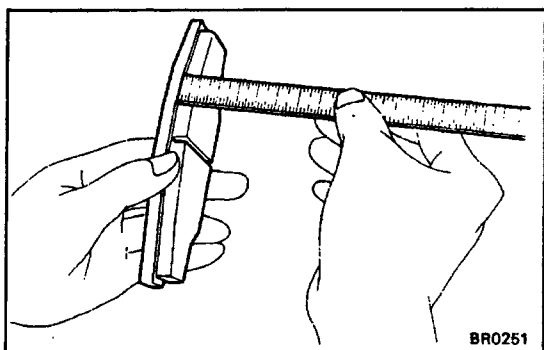
HINT: Inspect in a well – lighted area. Inspect the entire circumference and length of the brake hoses using a mirror as required. Turn the front wheels fully right or left before inspecting the front brake.

- (a) Check all brake lines and hoses for:
- Damage



- Wear
- Deformation
- Cracks
- Corrosion
- Leaks
- Bends
- Twists

- (b) Check all clamps for tightness and connections for leakage. .
- (c) Check that the hoses and lines are clear of sharp edges, moving parts and the exhaust system.
- (d) Check that the lines installed in grommets pass through the center of the grommets.



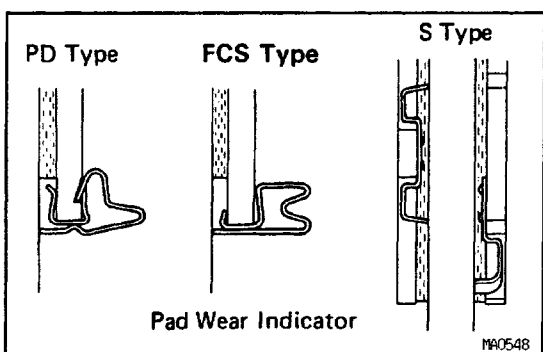
17. INSPECT FRONT BRAKE PADS AND DISCS

(See BR section)

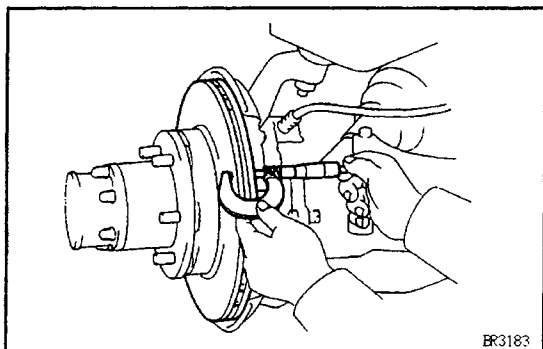
- (a) Check the thickness of the disc brake pad and check for irregular wear.

Minimum lining thickness:

1.0 mm (0.039 in.)



HINT: If a squealing or scraping noise occurs from the brake during driving, check the pad wear indicator. If there are traces of the indicator contacting the disc rotor, the disc pad should be replaced.



- (b) Check the disc for wear.

Minimum disc thickness:

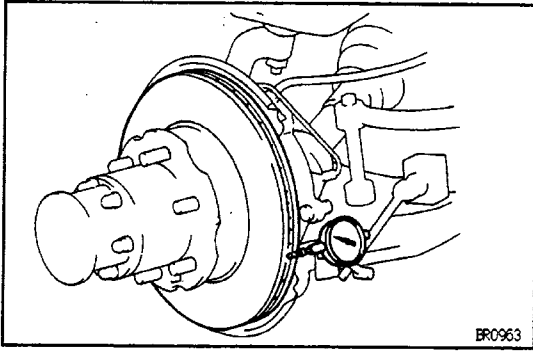
2WD FS17 type 21.0 mm (0.827 in.)

FS18 type 20.0 mm (0.787 in.)

PD60 type 23.0 mm (0.906 in.)

PD66 type 28.0 mm (1.102 in.)

4WD S 12 + 12 Type 18.0 mm (0.790 in.)

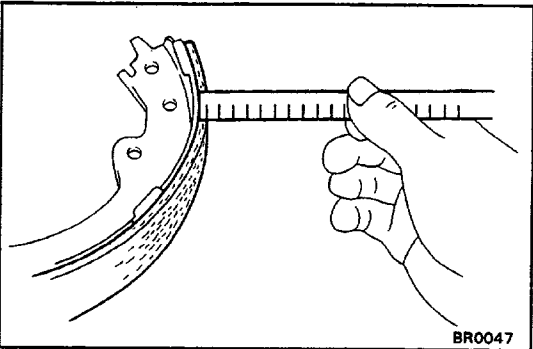


(c) Check the disc for runout.

Minimum disc runout:

Ex. C & C 0.09 mm (0.0035 in.)

C & C 0.12 mm (0.0047 in.)



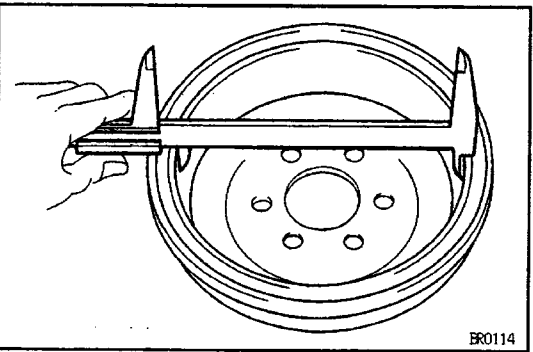
18. INSPECT REAR BRAKE LININGS AND DRUMS

(See BR section)

(a) Check the lining – to – drum contact condition and lining wear.

Minimum lining thickness:

1.0 mm (0.0039 in.)



(b) Check the brake drum for scoring or wear.

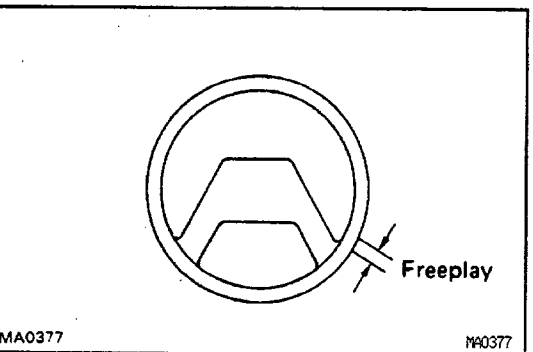
Maximum drum inside diameter:

2WD 256.0 mm (10.079 in.)

4WD 297.0 mm (11.693 in.)

(c) Clean the brake parts with a damp cloth.

NOTICE: Do not use compressed air to clean the brake parts.



CHASSIS

19. INSPECT STEERING LINKAGE

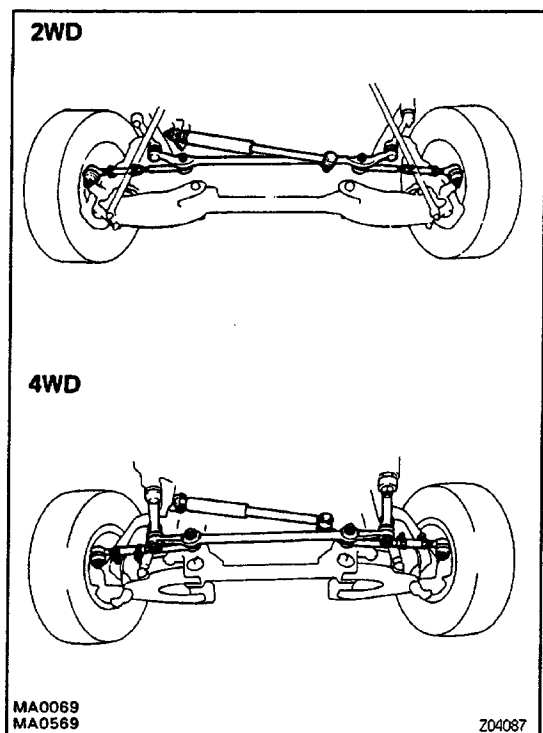
(a) Check the steering wheel freeplay.

Maximum:

30 mm (1.18 in.)

With the vehicle stopped and pointed straight ahead, rock the steering wheel gently back and forth with light finger pressure.

If incorrect, adjust or repair.



(b) Check the steering linkage for looseness or damage.

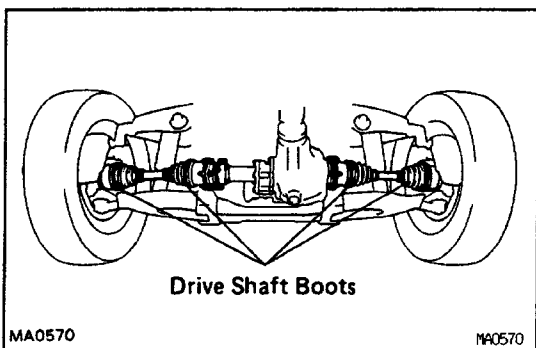
Check that:

- Tie rod ends and relay rod ends do not have excessive play.
- Dust seals are not damaged.

20. INSPECT STEERING GEAR HOUSING

Check the steering gear housing for oil leaks.

If leakage is found, check for cause and repair.



21. (4WD)

INSPECT DRIVE SHAFT BOOTS

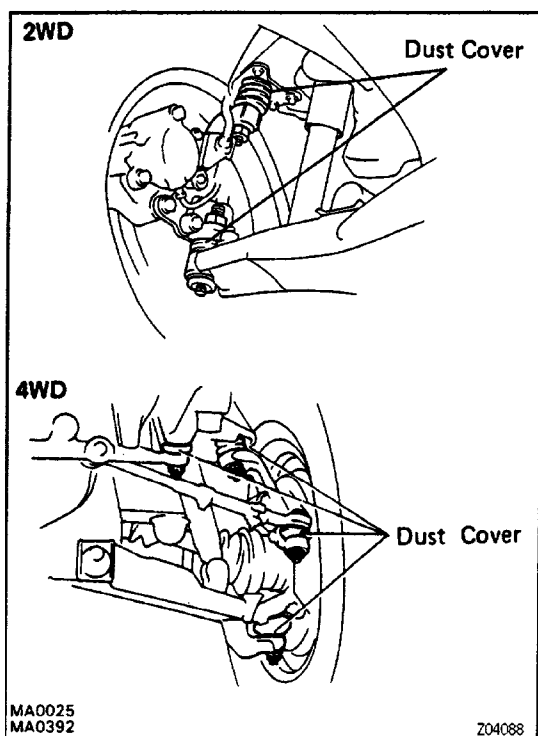
Inspect the drive shaft boots for clamp looseness, grease leakage or damage.

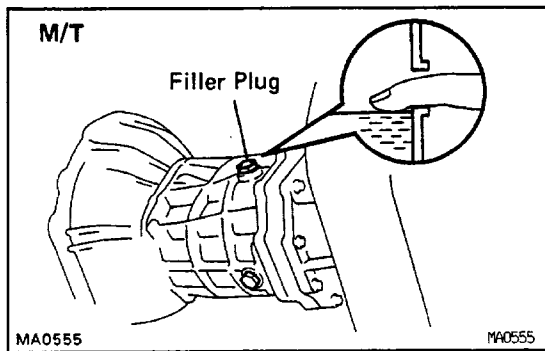
22. INSPECT BALL JOINTS AND DUST COVERS

(a) Inspect the ball joints for excessive looseness.

(See SA section)

(b) Inspect the dust cover for damage.





23. (2WD)

CHECK OIL LEVEL IN MANUAL TRANSMISSION, AUTOMATIC TRANSMISSION AND DIFFERENTIAL

Remove the filler plug and feel inside the hole with your finger. Check that the oil comes to within 5 mm (0.20 in.) of the bottom edge of the hole. If the level is low, add oil until it begins to run out of the filler hole.

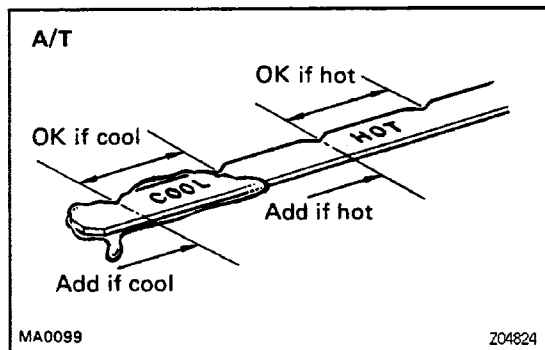
Transmission oil (M/T) –

Oil grade:

API GL-4 or GL-5

Viscosity:

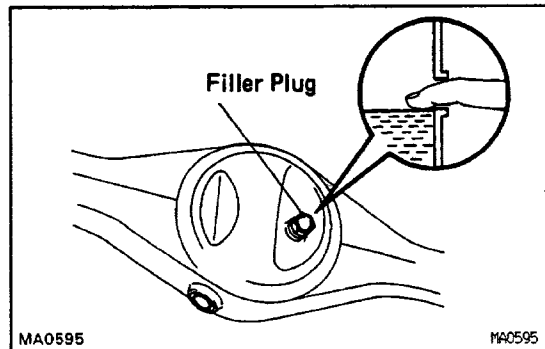
SAE 75W-90



Check the automatic transmission for oil leakage. If leakage is found, check for cause and repair.

Transmission fluid (A/T):

ATF DEXRON• II



Remove the filler plug and feel inside the hole with your finger. Check that the oil comes to within 5 mm (0.20 in.) of the bottom edge of the hole. If the level is low, add oil until it begins to run out of the filler hole.

Differential oil – –

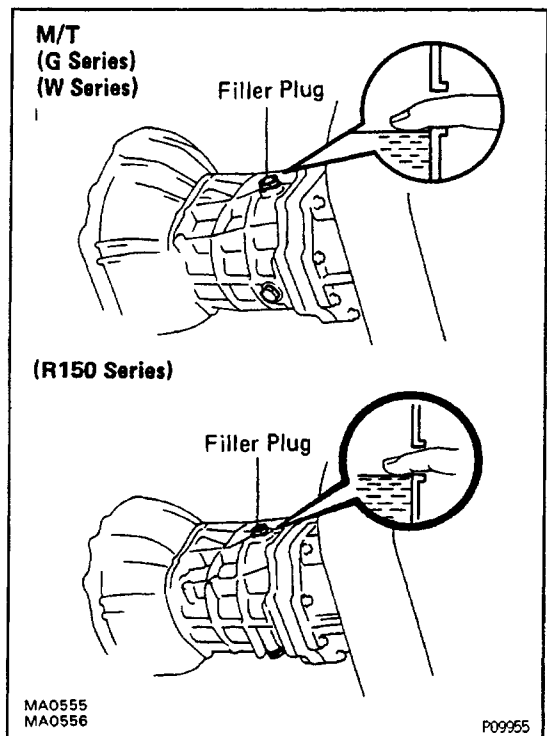
Oil grade:

AN GL-5 hypoid gear oil

Viscosity:

Above -18 ° C (0 ° F) SAE 90

Below -18 ° C (0 ° F) SAE 80W-90 or 80W



24. (4WD)
**CHECK OIL LEVEL IN MANUAL TRANSMISSION,
AUTOMATIC TRANSMISSION, TRANSFER AND
DIFFERENTIAL**

Remove the filler plug and feel inside the hole with your finger. Check that the oil comes to within 5 mm (0.20 in.) of the bottom edge of the hole. If the level is low, add oil until it begins to run out of the filler hole.

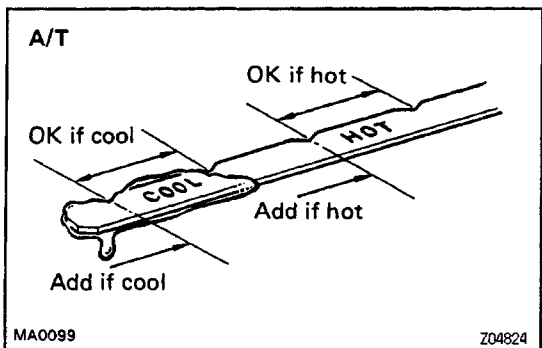
Transmission oil (M/T) –

Oil grade:

API GL-4 or GL-5

Viscosity:

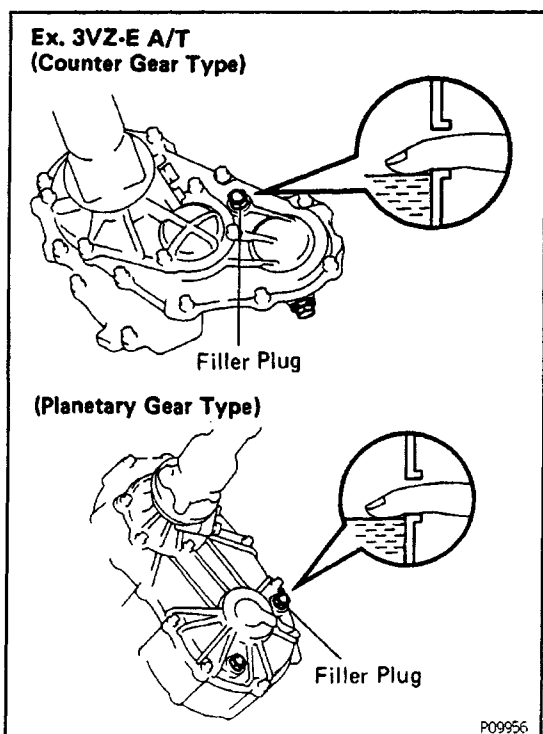
SAE 75W-90



Check the automatic transmission for oil leakage. If leakage is found, check for cause and repair.

Transmission fluid (A/T):

ATF DEXRON® II



Remove the filler- plug and feel inside the hole with your finger. Check that the oil comes to within 5 mm (0.20 in.) of the bottom edge of the hole. If the level is low, add oil until it begins to run out of the filler hole.

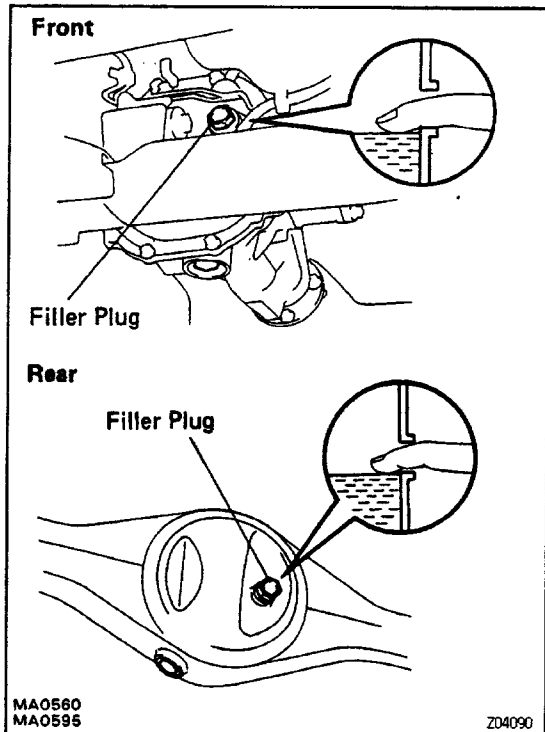
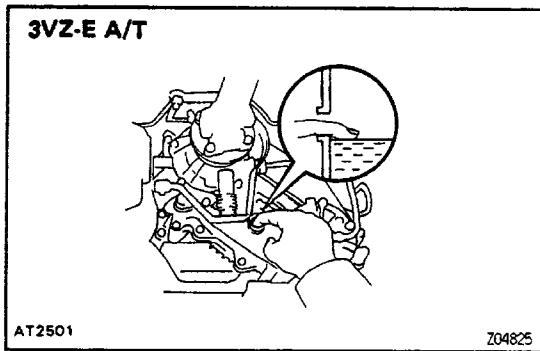
Transfer oil (Ex. 3vZ – E A/T) –

Oil grade: AN GL-4 or GL-5

Viscosity: SAE 75W-90

Transfer fluid (3VZ- E A/T):

ATF DEXRON® II



Remove the filler plug and feel inside the hole with your finger. Check that the oil comes to within 5 mm (0.20 in.) of the bottom edge of the hole. If the level is low, add oil until it begins to run out of the filler hole.

Differential oil -

Standard differential

Oil grade:

API GL-5 hypoid gear oil

Viscosity:

Above -18°C (0°F) SAE 90

Below -18°C (0°F) SAE 80W - 90 or 80W

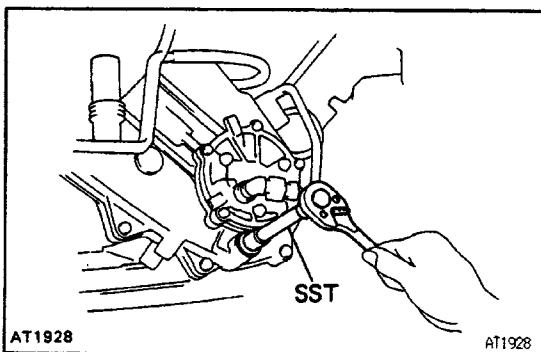
A.D.D.

Oil grade:

Toyota 'GEAR OIL SUPER' oil or hypoid gear oil API GL-5

Viscosity:

SAE 75W-90



25. REPLACE MANUAL TRANSMISSION. TRANSFER (4 WD) AND DIFFERENTIAL OIL

(a) (Transfer)

Remove the transfer cover.

(b) Using SST (A340H Transfer), remove the drain plug and drain the oil.

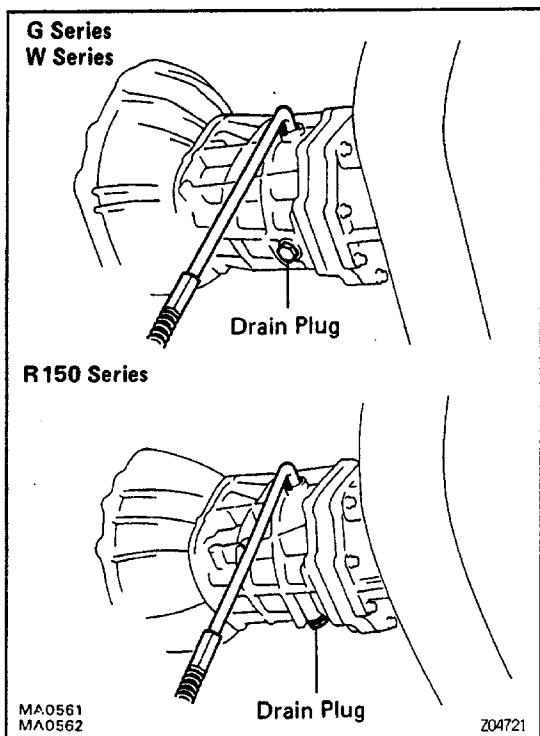
SST 09043-38100

(c) Reinstall drain plug securely.

(d) Add new oil until it begins to run out of the filler hole.

Oil grade and viscosity:

See pages MA -16 to 18



Oil capacity:

Transmission -

2WD

W55 2.6 liters (2.7 US qts, 2.3 Imp. qts)

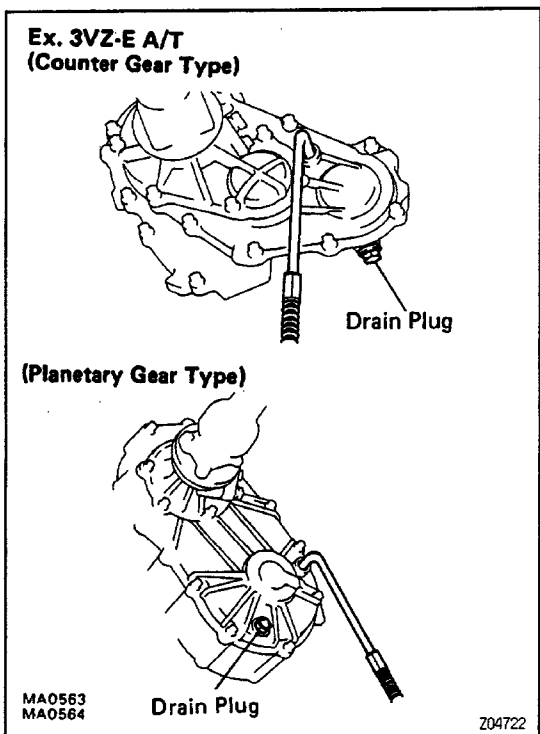
R150 3.0 liters (3.2 US qts, 2.6 Imp. qts)

4WD

G58 3.9 liters (4.1 US qts, 3.4 Imp. qts)

W56 2.9 liters (3.1 US qts, 2.5 Imp. qts)

RI 50F 3.0 liters (3.2 US qts, 2.6 Imp. qts)



Transfer -

Counter Gear Type

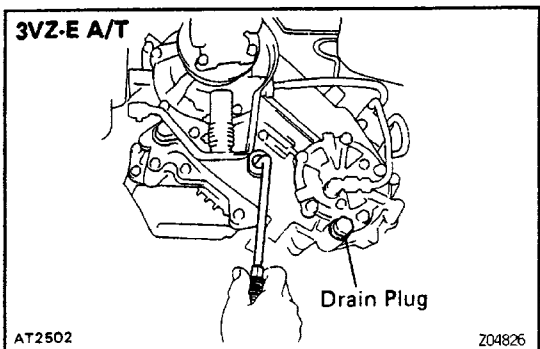
1.6 liters (1.7 US qts, 1.4 Imp. qts)

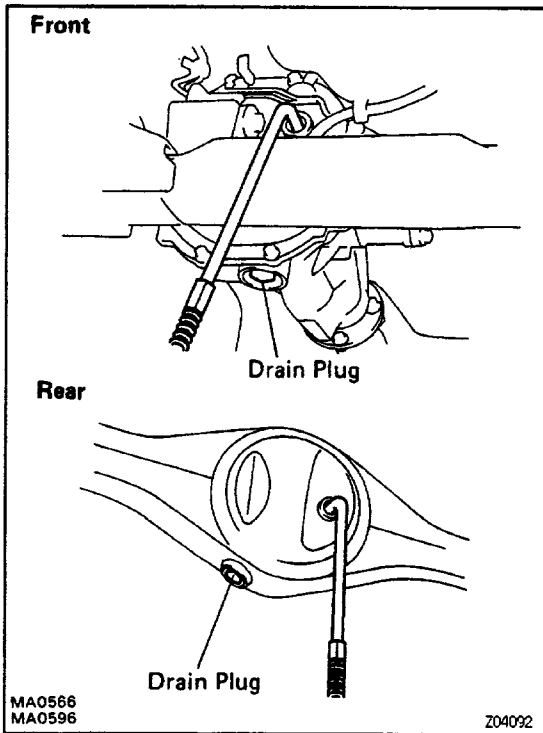
Planetary Gear Type

1.1 liters (1.2 US qts, 1.0 Imp. qts)

A340H

0.8 liters (0.8 US qts, 0.7 Imp. qts)





Differential -

2WD

7.5 in. 1.35 liters (1.4 US qts, 1.2 Imp. qts)

8.0 in. 1.8 liters (1.9 US qts, 1.6 Imp. qts)

4WD

Front Standard differential

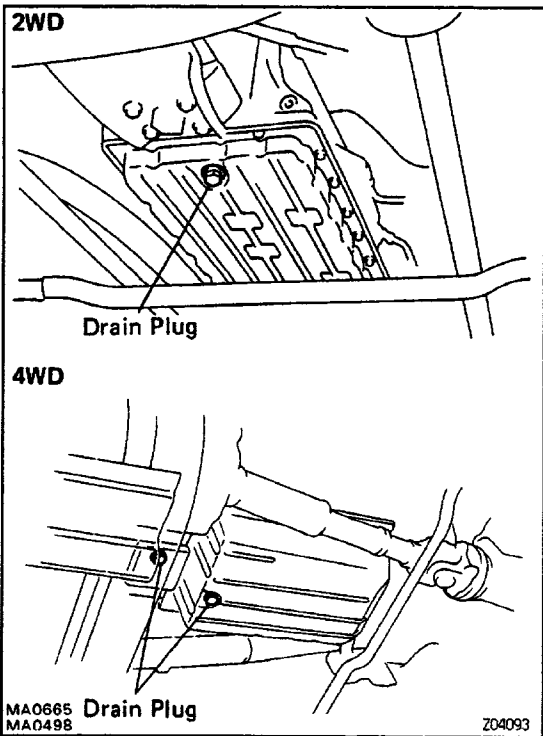
1.6 liters (1.7 US qts, 1.4 Imp. qts)

A.D.D.

1.86 liters (2.0 US qts, 1.6 Imp. qts)

Rear

2.2 liters 2.3 US qts, 1.9 Imp. qts)



26. REPLACE AUTOMATIC TRANSMISSION FLUID

- (a) Remove the drain plug(s) and drain the fluid.
- (b) Reinstall the drain plug(s) securely.
- (c) With the engine OFF, add new fluid through the dipstick tube.

Fluid:

ATP DEXRON® II

Drain and refill capacity:

2WD

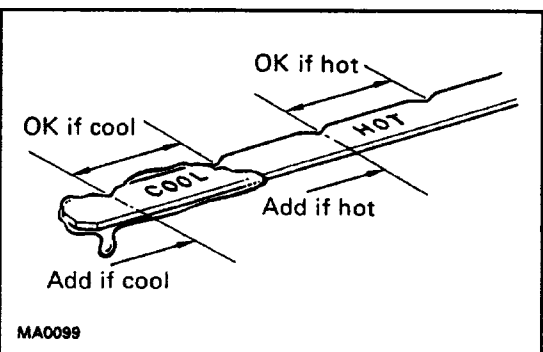
A43D 2.4 liters (2.5 US qts, 2.1 Imp. qts)

A340E 1.6 liters (1.7 US qts, 1.4 Imp. qts)

4WD

A340H 4.5 liters (4.8 US qts, 4.0 Imp. qts)

A340F 2.0 liters (2.1 US qts, 1.8 Imp. qts)



- (d) Start the engine and shift the selector into all positions from "P" through "L" and then shift into "P".
- (e) (A340H)
Shift the transfer lever position: H2→H4→L4 and L4→H4→H2.
- (f) With the engine idling, check the fluid level.
Add fluid up to the cool level on the dipstick.

- (g) Check that the fluid level is in the "HOT" range at the normal operating temperature (70 – 80 ° C or 158 – 176 °F) and add as necessary.

NOTICE: Do not overfill.

27. REPACK FRONT WHEEL BEARINGS AND THRUST BUSH

- (a) Change the front wheel bearing grease.
(See SA section)

2WD –

Grease grade:

Lithium base multipurpose grease (NLGI No.2)

Wheel bearing friction preload (at starting):

5.9–18N(0.6–1.8kgf,1.3–4.0lbf)

4WD –

Grease grade:

Lithium base multipurpose grease (NLGI No.2)

Wheel bearing friction preload (at starting):

27 – 55 N (2.8 – 5.6 kgf, 6.2 – 12.3 lbf)

- (b) Repack the drive shaft thrust bush grease.
(See SA section)

28. (4WD)

LUBRICATE PROPELLER SHAFT

Lubricate propeller shaft, referring to the lubrication chart. Before pumping in grease, wipe off any mud and dust on the grease fitting.

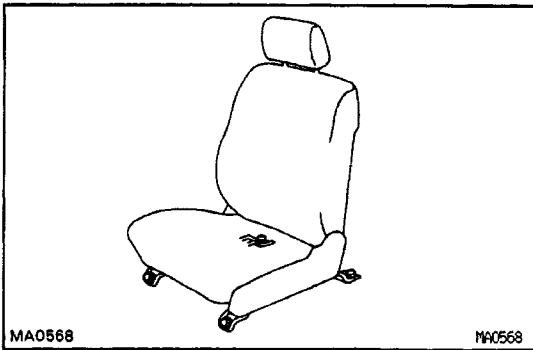
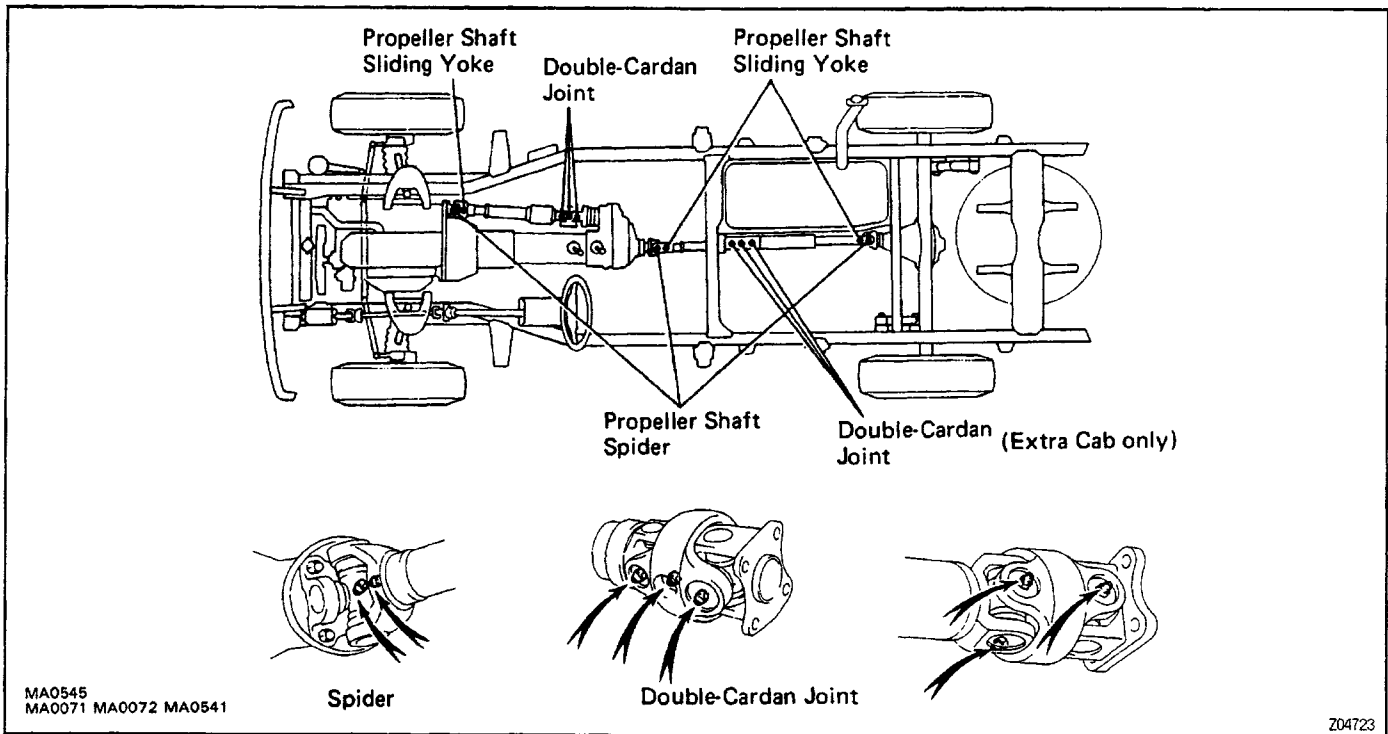
Grease grade:

Propeller shaft (ex. Double-cardan joint) –

Lithium base chassis grease (NLGI No.2)

Double-cardan joint – Molybdenum disulphide

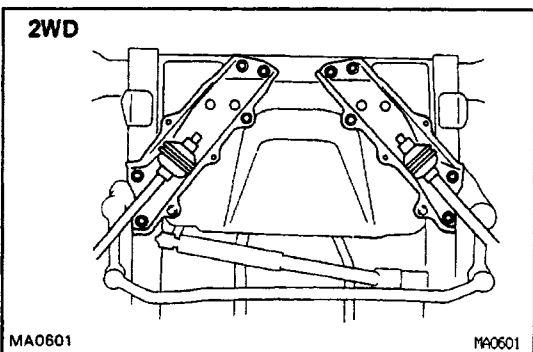
Lithium base chassis grease (NLGI No.2)



29. TIGHTEN BOLTS AND NUTS ON CHASSIS AND BODY

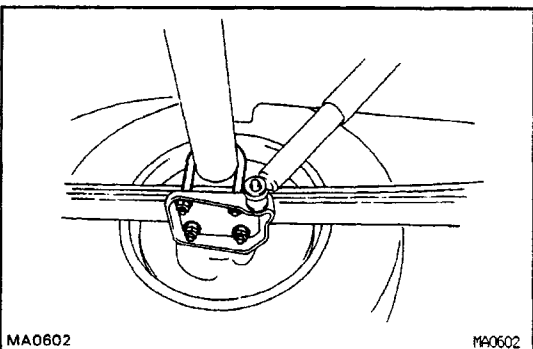
Tighten the following parts:

- Seat mounting bolts
Torque: 37 N-m (375 kgf-cm, 27 ft-lbf)



- Strut bar bracket-to-frame mounting bolts (2 WD)

Torque: 52 N-m (530 kgf-cm, 38 ft-lbf)



- Leaf spring U – bolt mounting nuts

Torque:

2WD 0.5 ton 147 N-m (1,500 kgf-cm, 108 ft-lbf)

Others 123 N-m (1,250 kgf-cm, 90 ft-lbf)

Under Severe Conditions:

In addition to the above maintenance items, check for loose or missing bolts and nuts on the following.

- Steering system
- Drive train

- Suspension system
- Fuel tank mounts
- Engine mounts, etc.

30. FINAL INSPECTION

(a) Check operation of body parts:

- Hood
Auxiliary catch operates properly
- Hood locks securely when closed
- Doors
Door locks operate properly
- Doors close properly
- Seats
- Seat adjusts easily and locks securely in any positions
Seat backs lock securely at any angle
Fold-down seat backs lock securely

(b) Road test

- Engine and chassis parts do not have abnormal noises.
- Vehicle does not wander or pull to one side.
- Brakes work properly and do not drag.

(c) Be sure to deliver a clean vehicle and especially check:

- Steering wheel
- Shift lever knob
- All switch knobs
- Door handles
- Seats

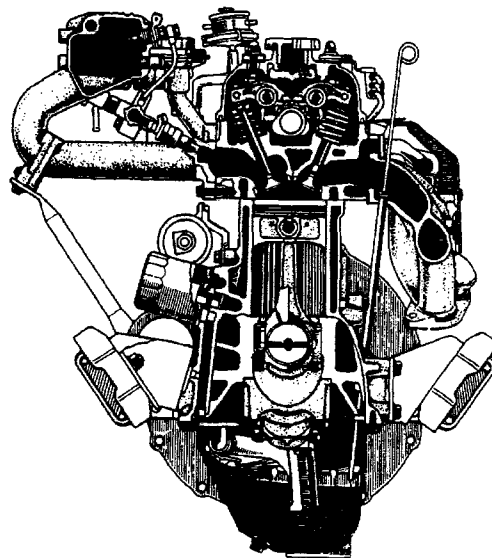
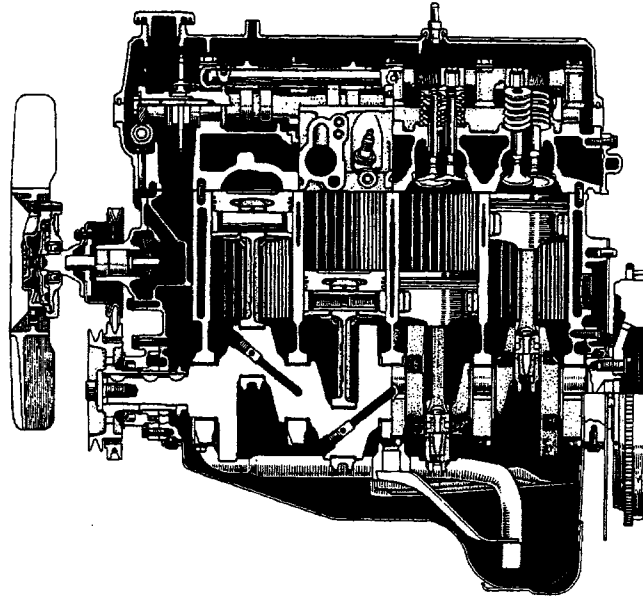
22R-E ENGINE

ENGINE MECHANICAL

DESCRIPTION

The 22R-E engine is an in-line 4 cylinder 2.4 liter OHC 8 valve engine.

EG1UV-01



The 22R-E engine is in-line 4-cylinder engine with the cylinders numbered 1-2-3-4 from the front. The crankshaft is supported by 5 bearings inside the crankcase. These bearing are made of kelmet.

The crankshaft is integrated with 4 weights which are cast with it for balance. Oil holes are made in the center of the crankshaft to supply oil to the connecting rods, bearing, pistons and other components.

The firing order is 1-3-4-2. The cylinder head is made of aluminum alloy, with a cross flow type intake and exhaust layout and with pent roof type combustion chambers. The spark plugs are located to the left of the combustion chambers.

Coolant is introduced into the intake manifold, improving drivability during engine warm up.

Exhaust and intake valves are equipped with springs made, of special valve spring carbon steel which are capable of following no matter what the engine speed.

The camshaft is driven by a timing chain. The cam journal is supported at 3 places, located at the center and the front and rear of ends of each cylinder head. Lubrication of the cam journal gear is accomplished by oil supplied through the oil passage in the cylinder head.

Adjustment of the valve clearance is done by means of an adjusting screw on the rocker arm for easy adjustment.

The timing chain cover is made of aluminum alloy, with a water pump and oil pump on the outside.

Pistons are made of highly temperature-resistant aluminum alloy, and a depression is built into the piston head to prevent interference with valves.

Piston pins are the full-floating type, with the pins fastened to neither the connecting rods nor the piston boss, but with a snap ring fitted to both ends of each pin to prevent it from slipping out. The No. 1 compression ring is made of stainless steel and the No. 2 compression ring is made of cast iron. The oil ring is made of stainless steel. The outer diameter of each piston ring is slightly larger than the diameter of the piston and the flexibility of the rings allows them to hug the cylinder walls when they are mounted on the piston. No. 1 and No. 2 compression rings work to prevent leakage of gas from the cylinder and the oil ring works to scrape oil off the cylinder walls to prevent it from entering the combustion chambers.

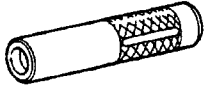


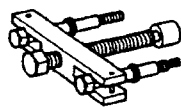
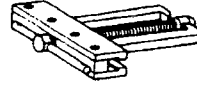
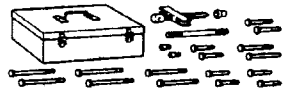

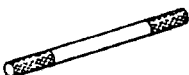
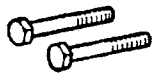

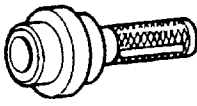
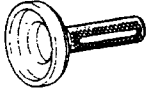

The cylinder block is made of cast iron. It has 4 cylinders which are approximately 2 times the length of the piston stroke. The top of each cylinder is closed off by the cylinder head and in the lower end of the cylinders the crankshaft is installed, supported by 5 journals. In addition, the cylinder block contains a water jacket, through which coolant is pumped to cool the cylinders.





The oil pan is bolted onto the bottom of the cylinder block. The oil pan is an oil reservoir made of pressed steel sheet. A dividing plate is included inside the oil pan to keep sufficient oil in the bottom of the pan even when the vehicle is tilted. The dividing plate prevents the intake of air and allows oil circulation to be maintained even if the oil forms waves when the vehicle brakes suddenly.

PREPARATION

EGGAY-0A



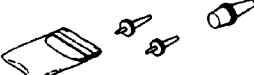

SST (SPECIAL SERVICE TOOLS)

	09201-41020 Valve Stem Oil Seal Replacer	
	09201-60011 Valve Guide Bushing Remover & Replacer	
	09202-43013 Valve Spring Compressor	
	09213-31021 Crankshaft Pulley Puller	
	09213-36020 Timing Gear Remover	
	09213-60017 Crankshaft Pulley & Gear Puller Set	
	(09213-00020) Body With .Bolt	
	(00213-00030) Handle	
	(09213-00060) Bolt Set	
	09222-30010 Connecting Rod Bushing Remover & Replacer	
	09223-50010 Crankshaft Front oil Seal Replacer	Camshaft oil seal
	09223-41020 Crankshaft Rear Oil Seal Replacer	
	09213-70010 Crankshaft Pulley Holding Tool	

	<p>09606-35014 Axle Hub & Drive Pinion Bearing Tool Set</p>	
	<p>(09608-06040) Front Hub Inner Bearing Cone Replacer</p>	
	<p>09330-00021 Companion Flange Holding Tool</p>	<p>Crankshaft pulley</p>
	<p>09843-18020 Diagnosis Check Wire</p>	

EG0AZ-08

RECOMMENDED TOOLS

	<p>09090-04010 Engine Sling Device</p>	<p>For suspension engine</p>
	<p>09200-00010 Engine Adjust Kit</p>	
	<p>09258-00030 Hose Plug Set</p>	<p>Plug for the vacuum hose, fuel hose etc.</p>
	<p>09904-00010 Expander Set</p>	

EG080-07

EQUIPMENT

<p>Battery specific gravity gauge</p>	
<p>Belt tension gauge</p>	
<p>Caliper gauge</p>	
<p>CO/HC meter</p>	
<p>Compression gauge</p>	
<p>Connecting rod aligner</p>	
<p>Cylinder gauge</p>	
<p>Dial indicator</p>	

Dye penetrant	
Engine tune-up tester	
Heater	
Magnetic finger	
Micrometer	
Piston ring compressor	
Piston ring expander	
Plastigage	
Precision straight edge	
Soft brush	
Spring tester	Valve spring
Steel square	Valve spring
Thermometer	
Torque wrench	
Valve seat cutter	
Vernier calipers	

SSM (SERVICE SPECIAL MATERIALS)

EG091-0C

08826-00080 Seal packing or equivalent	Camshaft bearing cap Cylinder head cover Rear oil seal retainer
08833-00070 Adhesive 1324, THREE BOND 1324 or equivalent	Flywheel or drive plate mounting bolt

TROUBLESHOOTING

When the malfunction code is not confirmed in the diagnostic trouble code check and the problem still cannot be confirmed in the basic inspection, then proceed to this step and perform troubleshooting to the numbers in the order given in the table below.

See page		IG-5	IG-5	EG1-212	EG1-131.1 49 or 167	EG1-129 147 or 165	EG1-129 147 or 165	EG1-127 145 or 163	EG1-132 150 or 168	—	—	—	EG1-177	EG1-186	EG1-192	EG1-187	EG1-183 or 208	—
Suspect area		RPM Signal Circuit	Ignition Circuit	Main Oxygen Sensor Circuit	Engine Coolant Temp. Sensor Circuit	Intake Air Temp. Sensor Circuit	Volume Air Flow Meter Circuit	Throttle Position Sensor Circuit	STA Signal Circuit	Knock Sensor Circuit	PNP Switch Signal Circuit	A/C Signal Circuit	Fuel Pump	Fuel Pressure Regulator	Fuel Lines	Injectors	Cold Start System	Idle Air Control Valve
Symptom																		
Does not start	Engine does not crank																	
	Starter runs – engine does not crank																	
	No initial combustion	12	2				5						6				13	8
	No complete combustion				4		1							3		9	10	2
Difficult to start	Engine cranks slowly											2						
	Under normal condition	12	13		4	14							7	6	8	16	17	3
	Cold engine				1	6			2				8	7	9	10	5	4
	Hot engine				1	5							8	7	9	10	6	3
Poor idling	Incorrect first idle				3													4
	High engine idle speed				4	6		7			9	8				10	11	5
	Low engine idle speed				1		4									5		2
	Rough idling		18		2		12						7	6	8	16	17	9
	Misfire		4		6		8									9	10	
Poor drivability	Hesitation			12	10	11	9	8					14	13	15	18	19	
	Poor acceleration			6	3	7	5	4					9	8	10	11		
	Back fire			8	3	7	5	6					4		9	10		
	Muffler explosion (after fire)												1		4			
	Serging																	
Engine stall	Knocking								1									
	Soon after starting				8		7						3	2	4	9	10	6
	After accelerator pedal depressed						1	3					5	6	7			
	After accelerator pedal released						3											1
	During A/C operation											1						2
Others	When N to D shift										1							2
	Poor fuel economy			21	16	22	18	17			19	20				14	15	
	Engine overheat									9								
	Engine overcool																	
	Excessive oil consumption																	
	Low oil pressure																	
	High oil pressure																	
	Starter keeps running																	
Battery often discharges																		

HINT: When inspecting a wire harness or circuit, the electrical wiring diagrams at the end of repair manual should be referred to and the circuits of related systems also should be checked.

		See page	Suspect area	Symptom	EG1-198	EG1-199	CL section	EG1-14	MA-11	EG1-39	EG1-39	EG1-226	EG1-23	EG1-238	EG1-51	EG1-54	EG1-21	EG1-58	-	EG1-229
		Dash Pot	Throttle Opener	Clutch	Compression	Valve Clearance	Valve Timing	Timing Belt	Water Pump	Valve Stem Guide Bushing	Oil Pump	Connecting Rod Bearing	Crankshaft Bearing	Cylinder Head	Piston Ring	Flywheel or Drive Plate	Radiator and Radiator Cap			
Does not start	Engine does not crank																			
	Starter runs – engine does not crank																2			
	No initial combustion				9		10	11												
	No complete combustion				5		7	8								6				
Difficult to start	Engine cranks slowly											3	4							
	Under normal condition				9		11								10					
	Cold engine																			
	Hot engine																			
Poor idling	Incorrect first idle	2	3																	
	High engine idle speed	2																		
	Low engine idle speed																			
	Rough idling				10	13	14	15						20	11					
	Misfire				7															
Poor drivability	Hesitation			1	7	16	17													
	Poor acceleration																			
	Back fire						2													
	Muffler explosion (after fire)						2													
	Knocking						5		9											6
Engine stall	Soon after starting																			
	After accelerator pedal depressed																			
	After accelerator pedal released																			
	During A/C operation																			
	When N to D shift																			
Others	Poor fuel economy	4		5	11		13										12			
	Engine overheat						7	5	6		10			11						3
	Engine overcool																			
	Excessive oil consumption				3						2					5	4			
	Low oil pressure											2	3	4						
	High oil pressure											1								
	Starter keeps running																			
Battery often discharges																				

TUNE-UP

EG1UX-01

ENGINE COOLANT INSPECTION

(See steps 1 and 2 on page [EG1-225](#))

ENGINE OIL INSPECTION

EG1UY-01

(See steps 1 and 2 on page [EG1-235](#))

AIR FILTER INSPECTION

EG1UZ-01

(See step 4 on page [MA-7](#))

BATTERY INSPECTION

EG1V0-02

(See CM section)

HIGH-TENSION CORD INSPECTION

EG1V1-01

(See page [IG-6](#))

SPARK PLUGS INSPECTION

EG1V2-01

(See page [IG-8](#))

DRIVE BELTS INSPECTION

EG1V3-01

(See step 2 on page [MA-6](#))

VALVE CLEARANCE INSPECTION AND ADJUSTMENT

EG1V4-01

(See step 14 on page [MA-11](#))

IGNITION TIMING INSPECTION AND ADJUSTMENT

EG1V5-01

(See step 5 on page [IG-10](#))

IDLE SPEED INSPECTION AND ADJUSTMENT

EG1V6-01

(See step 15 on page [MA-11](#))

HINT: Adjust idle mixture as necessary.

IDLE AND OR 2500 RPM CO HC CHECK

HINT: This check method is used only to determine whether or not the idle and/or 2,500 rpm CO/HC complies with regulations.

1. INITIAL CONDITIONS

- (a) Engine at normal operating temperature
- (b) Air cleaner installed
- (c) All pipes and hoses of air intake system connected
- (d) All accessories switched OFF
- (e) All vacuum lines properly connected

HINT: All vacuum hoses for the air suction, EGR systems, etc. should be properly connected.

- (f) MFI system wiring connectors fully plugged
- (g) Ignition timing set correctly
- (h) Transmission in neutral
- (i) Idle speed set correctly
- (j) Tachometer and CO/HC meter calibrated and at hand

2. START ENGINE

3. RACE ENGINE AT 2,500 RPM FOR APPROX.3 MINUTES

4. INSERT CO / HC METER TESTING PROBE INTO TAILPIPE AT LEAST 40 cm (1.3 ft)

5. IMMEDIATELY CHECK CO/HC CONCENTRATION AT IDLE AND/OR 2,500 RPM

HINT:

When performing the 2 mode (2,500 rpm and idle) test, follow the measurement order prescribed by the applicable local regulations.

TROUBLESHOOTING

If the HC/CO concentration does not comply with regulations, perform troubleshooting in the order given below.

1. Check oxygen sensor operation

(See page [EG1–212](#))

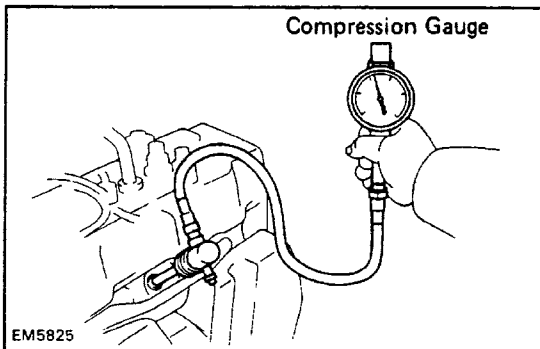
2. See the table below for possible cause, and then inspect and correct the applicable causes if necessary.

HC	CO	Symptoms	Causes
High	Normal	Rough idle	1. Faulty ignition: <ul style="list-style-type: none"> • Incorrect timing • Fouled, shorted or improperly gapped plugs • Open or crossed high-tension cords • Cracked distributor cap 2. Incorrect valve clearance 3. Leaky EGR valve 4. Leaky exhaust valves 5. Leaky cylinder
High	Low	Rough idle (Fluctuating HC reading)	1. Vacuum leak: <ul style="list-style-type: none"> • Vacuum hose • Intake manifold • Intake chamber • PCV line • Throttle body
High	High	Rough idle (Black smoke from exhaust)	1. Clogged air filter 2. Plugged PCV valve 3. Pulsed Secondary Air Injection (PAIR) system problems 4. Faulty MFI system: <ul style="list-style-type: none"> • Faulty pressure regulator • Clogged fuel return line • Faulty volume air flow meter • Defective engine coolant temp. sensor • Defective intake air temp. sensor • Faulty ECM • Faulty injector • Faulty cold start injector

COMPRESSION CHECK

HINT: If there is lack of power, excessive oil consumption or poor fuel mileage, measure the cylinder compression pressure.

1. WARM UP ENGINE
2. REMOVE SPARK PLUGS
3. DISCONNECT DISTRIBUTOR CONNECTOR
4. DISCONNECT COLD START INJECTOR CONNECTOR
5. MEASURE CYLINDER COMPRESSION PRESSURE



- (a) Insert a compression gauge into the spark plug hole.
- (b) Fully open the throttle.
- (c) While cranking the engine with the starter motor, measure the compression pressure.

NOTICE: This test must be done for as short a time as possible to avoid overheating of the catalytic converter.

HINT: A fully charged battery must be used to obtain at least 250 rpm.

- (d) Repeat steps
 - (a) through
 - (c) for each cylinder.

Compression pressure:

1,177 kPa (12.0 kgf/cm², 171 psi)

Minimum pressure:

981 kPa (10.0 kgf/cm², 142 psi)

Difference between each cylinder:

98 kPa (1.0 kgf/cm², 14 psi) or less

- (e) If cylinder compression in one or more cylinders is low, pour a small amount of engine oil into the cylinder through the spark plug hole and repeat steps (a) through

(c) for the low compression cylinder.

- If adding oil helps the compression, chances are that the piston rings and /or cylinder bore are worn or damaged.
- If pressure stays low, a valve may be sticking or seating improperly, or there may be leakage past the gasket.

6. CONNECT COLD START INJECTOR CONNECTOR

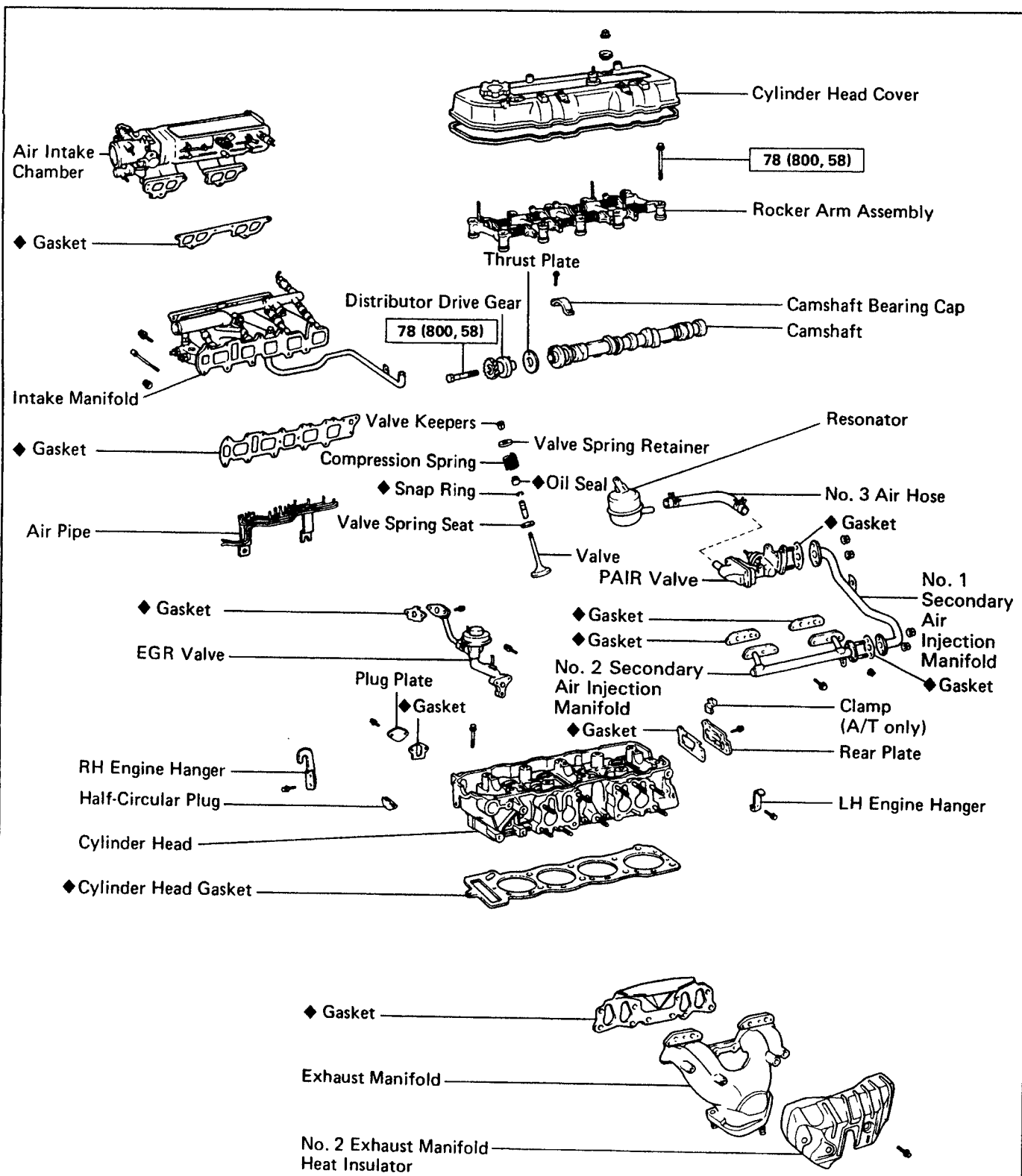
7. CONNECT DISTRIBUTOR CONNECTOR

8. INSTALL SPARK PLUGS

Torque: 18N-m (180 kgf-cm, 13ft-lbf)

CYLINDER HEAD COMPONENTS

EG1VA-01



N·m (kgf·cm, ft·lbf) : Specified torque

◆ Non-reusable part

PREPARATION FOR REMOVAL

1. DISCONNECT CABLE FROM NEGATIVE TERMINAL OF BATTERY

2. DRAIN COOLANT FROM RADIATOR AND CYLINDER BLOCK

(See step 3 on page [EG1-225](#))

3. REMOVE INTAKE AIR CONNECTOR

4. DISCONNECT EXHAUST PIPE FROM EXHAUST MANIFOLD

(a) Remove the exhaust pipe clamp.

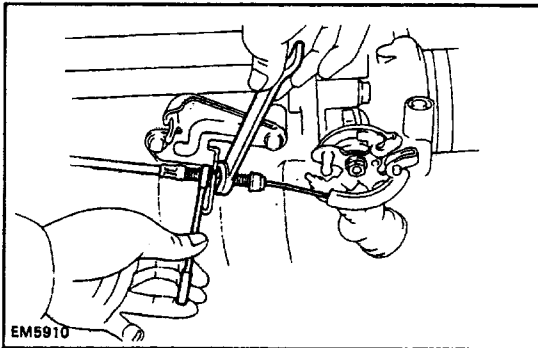
(b) Remove the three nuts, and disconnect the exhaust pipe.

5. REMOVE OIL DIPSTICK

6. REMOVE DISTRIBUTOR AND SPARK PLUGS

7. REMOVE RADIATOR INLET HOSE

8. DISCONNECT HEATER WATER INLET HOSE FROM HEATER WATER INLET PIPE



9. DISCONNECT ACCELERATOR CABLE

10. (A/T)

DISCONNECT THROTTLE CABLE

Disconnect the throttle cable from the bracket and clamp. .

11. DISCONNECT GROUND STRAP FROM ENGINE REAR SIDE

12. DISCONNECT FOLLOWING PARTS:

(a) No.1 and No. 2 PCV hoses

(b) Brake booster hose

(c) (w/PS)

Air control valve hoses

(d) (with A/C)

VSV hoses

(e) EVAP hose

(f) EGR vacuum modulator hose

(g) EGR valve hose

(h) Fuel pressure up hose

(i) PAIR valve hose

(j) Pressure regulator hose

(k) Vacuum hoses from throttle body

(l) No. 2 and No. 3 water by-pass hoses from the throttle body

(m) (w/Oil cooler)

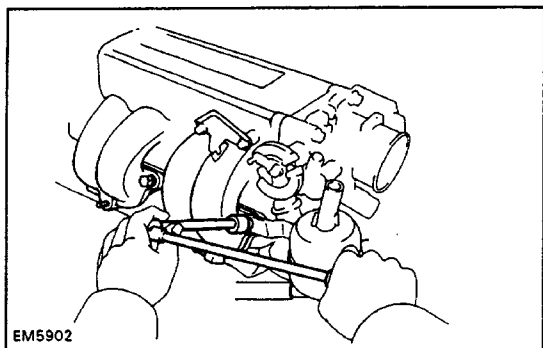
Disconnect the No. 1 oil cooler hose from the intake manifold.

(w/o Oil cooler)

Disconnect the No. 1 water by-pass hose from the intake manifold. '

13. REMOVE EGR VACUUM MODULATOR**14. DISCONNECT FOLLOWING WIRES:**

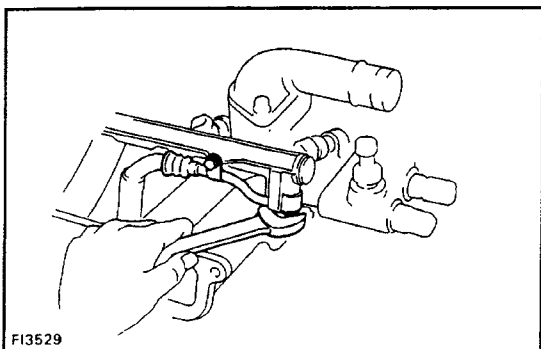
- (a) Cold start injector wire
- (b) Throttle position wire
- (c) (California only)
EGR gas temp. sensor wire

**15. REMOVE CHAMBER WITH THROTTLE BODY**

- (a) Remove the union bolt holding the cold start injector pipe to the chamber.
- (b) Remove the bolts holding the No. 1 EGR pipe to the chamber.
- (c) Remove the bolts holding the manifold stay to the chamber.
- (d) Remove the four bolts, two nuts, bond strap and fuel hose clamp.
- (e) Remove the chamber with the throttle body, resonator and gasket.

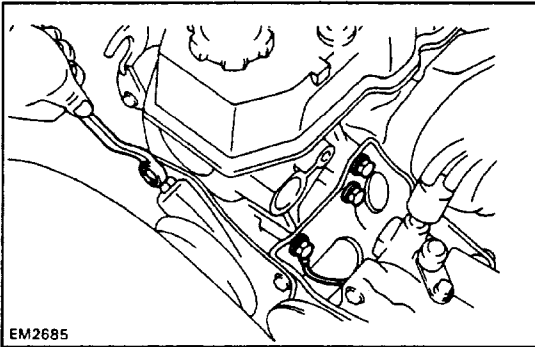
16. DISCONNECT FUEL RETURN HOSE**17. DISCONNECT FOLLOWING WIRES:**

- (a) Knock sensor wire
- (b) Oil pressure sender gauge wire
- (c) Starter wire (terminal 50)
- (d) Transmission wires
- (e) (with A/C)
Compressor wires
- (f) Injector wires
- (g) Engine coolant temp. sender gauge wire
- (h) (A/T)
OD temp. switch wire
- (i) Igniter wire
- (j) VSV wires
- (k) Start injector time switch wire
- (l) Engine Coolant temp. sensor wire

**18. DISCONNECT FUEL HOSE FROM DELIVERY PIPE**

Remove the bolt, union bolt and two gaskets.

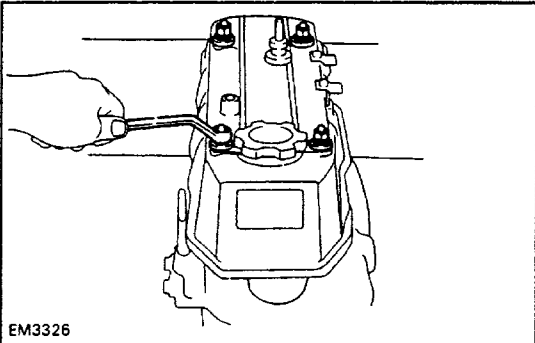
19. DISCONNECT BY - PASS HOSE FROM INTAKE MANIFOLD**20. (w/PS)
REMOVE PS BELT**



EM2685

21. (w/PS) DISCONNECT PS BRACKET FROM CYLINDER HEAD

Remove the four bolts, disconnect the ground strap and bracket.



EM3326

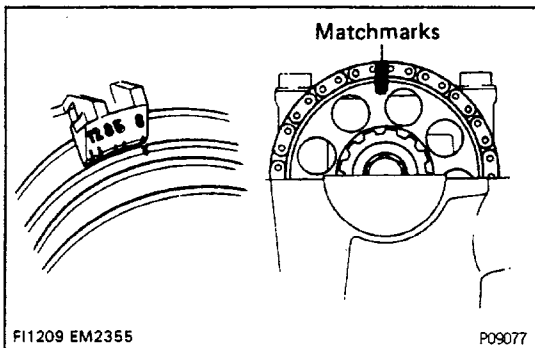
CYLINDER HEAD REMOVAL

EG1VC-01

1. REMOVE HEAD COVER

- (a) Remove the ground strap from the body.
- (b) Remove the four nuts and seals.
- (c) Remove the head cover.

NOTICE: Cover the oil return hole in the head with a rag to prevent objects from falling in.

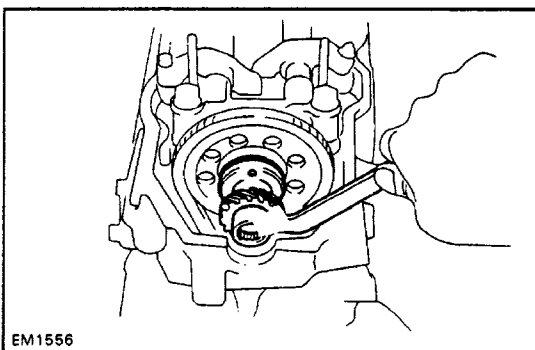


F11209 EM2355

P09077

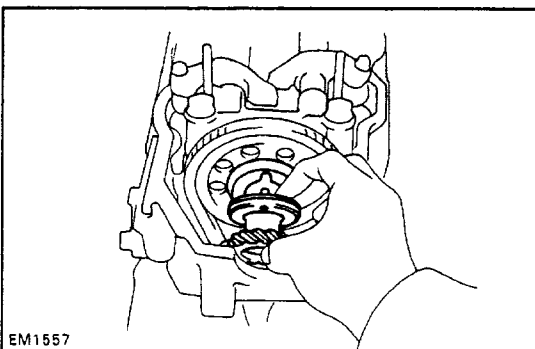
2. REMOVE CAM SPROCKET BOLT

- (a) Turn the crankshaft until the No. 1 cylinder position is set at TDC compression.
- (b) Place matchmarks on the sprocket and chain.
- (c) Remove the half-circular plug.



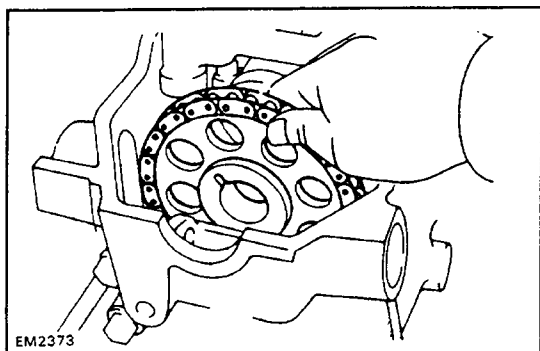
EM1556

- (d) Remove the cam sprocket bolt.



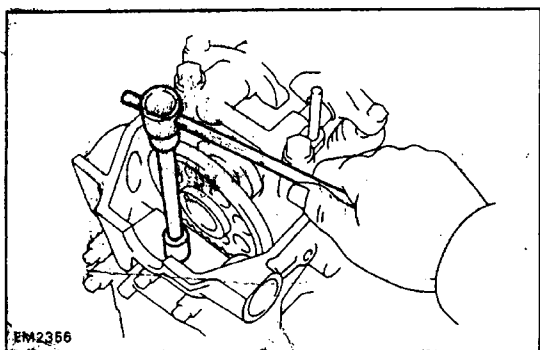
EM1557

3. REMOVE DISTRIBUTOR DRIVE GEAR AND CAM-SHAFT THRUST PLATE



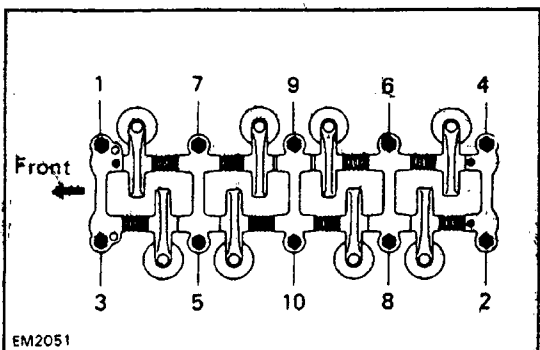
4. REMOVE CAM SPROCKET

Remove the cam sprocket and chain from the camshaft and leave on the vibration damper.



5. REMOVE CHARY COVER BOLT

Remove the bolt in front of the head before the other head bolts are removed.



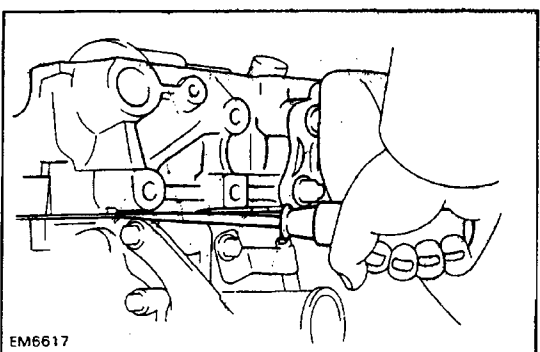
6. REMOVE CYLINDER HEAD BOLTS

Remove the head bolts gradually in two or three passes and in the numerical order shown.

NOTICE: Head warpage or cracking could result from removing bolts incorrect order.

7. REMOVE ROCKER ARM ASSEMBLY

If may be necessary to use a pry bar on the front and rear of the rocker arm assembly to separate it from the head.

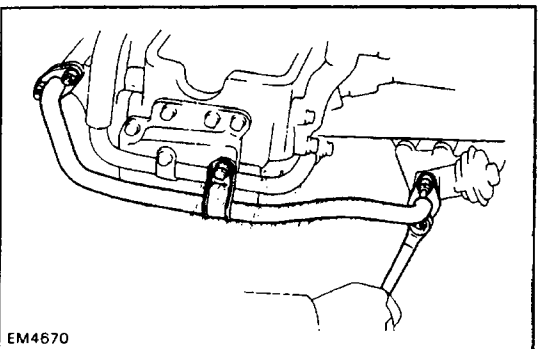


8. REMOVE CYLINDER HEAD

Lift the cylinder head from the dowels on the cylinder block and place the head on wooden blocks on a bench.

HINT: If the cylinder head is difficult to lift off, pry with a screwdriver between the head and block saliences.

NOTICE: Be careful not to damage the cylinder head and block surfaces of the cylinder head gasket.

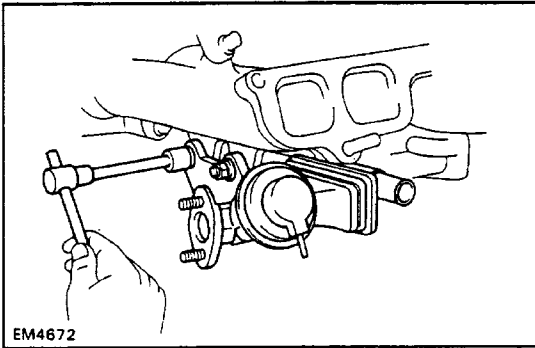


CYLINDER HEAD DISASSEMBLY

(See page [EG1-15](#))

1. REMOVE NO. 1 SECONDARY AIR INJECTION MANIFOLD

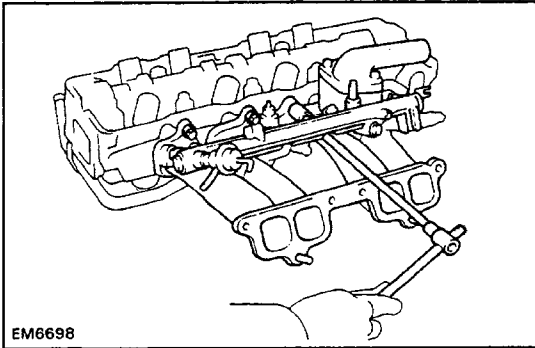
Remove the bolt, four nuts, No. 1 secondary air injection manifold and two gaskets.



EM4672

2. REMOVE INTAKE MANIFOLD WITH DELIVERY PIPE AND INJECTORS

(a) Remove the two nuts and reed valve.

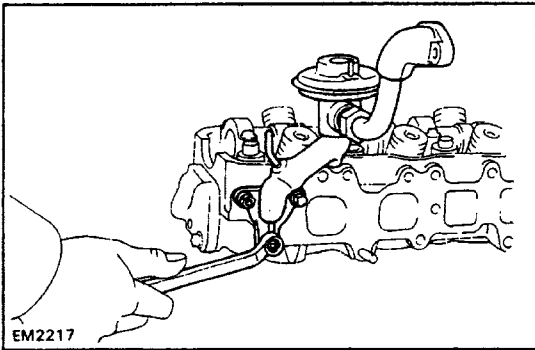


EM6698

(b) Remove the bolt and the heater inlet pipe from the cylinder head.

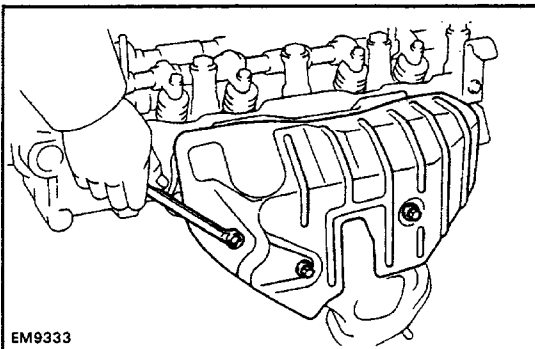
(c) Remove the seven bolts, one hexagon bolt, two nuts and No. 1 air pipe.

(d) Remove the intake manifold together with the delivery pipe, injectors and heater water inlet pipe.



EM2217

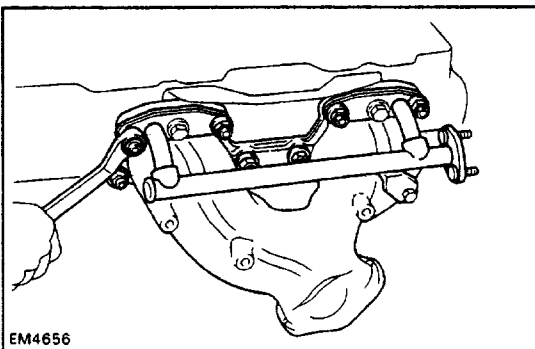
3. REMOVE EGR VALVE



EM9333

4. REMOVE EXHAUST MANIFOLD WITH NO. 2 SECONDARY AIR INJECTION MANIFOLD

(a) Remove the three bolts and No. 2 exhaust manifold heat insulator.

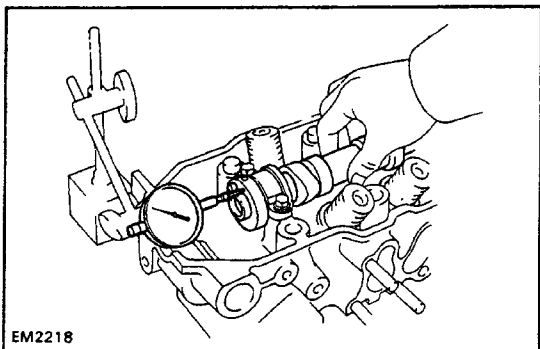


EM4656

(b) Remove the eight nuts, exhaust manifold and No. 2 secondary air injection manifold.

5. REMOVE TWO ENGINE HANGERS AND GROUND STRAP

6. REMOVE CYLINDER HEAD REAR OVER



7. MEASURE CAMSHAFT THRUST CLEARANCE

Using a dial gauge, measure the camshaft thrust clearance.

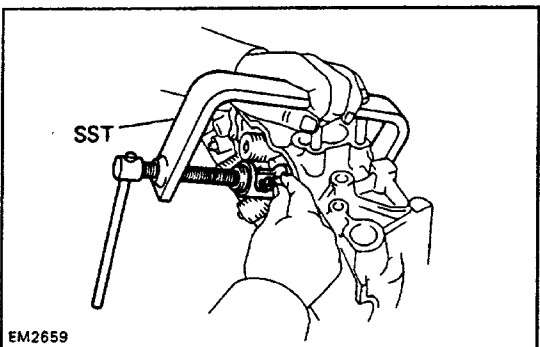
Standard clearance: 0.08 – 0.18 mm

(0.0031–0.0071 in.)

Maximum clearance: 0.25 mm (0.0098 in.)

If clearance is greater than maximum, replace the head.

8. REMOVE CAM BEARING CAPS AND SHAFT



9. REMOVE VALVES

(a) Using SST, compress the valve retainer until the two keepers can be removed.

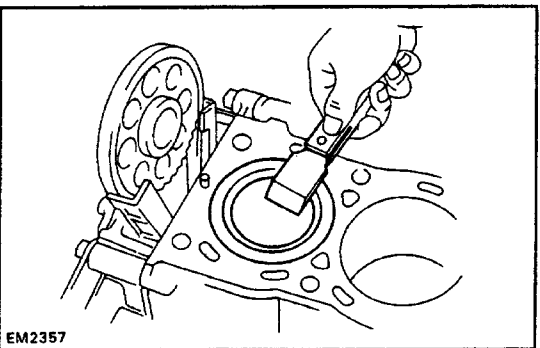
SST 09202-43013

(b) Remove the valve keepers, retainer, spring and valve.

(c) Pry out the oil seal.

(d) Using a small screwdriver or magnet, remove the valve spring seat.

HINT: Keep the valves arranged so they can be installed in the same order as removed.



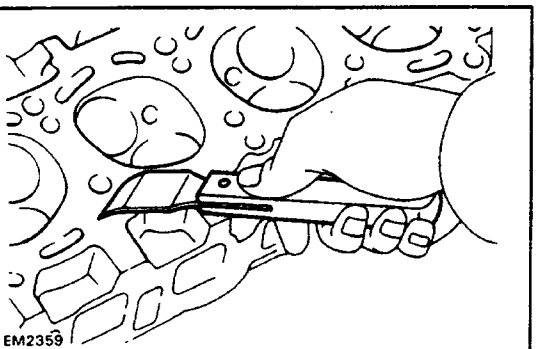
INSPECTION, CLEANING AND REPAIR OF CYLINDER HEAD COMPONENTS

1. CLEAN TOP OF PISTONS AND TOP OF CYLINDER BLOCK

(a) Turn the crankshaft and bring each piston to top dead center. Using a gasket scraper, remove all the carbon from the piston tops.

(b) Using a gasket scraper, remove all gasket material from the top of the block. Blow carbon and oil from the bolt holes.

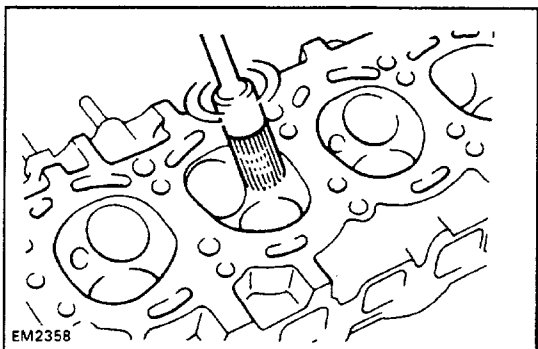
CAUTION: Protect your eyes when using high pressure air.



2. REMOVE GASKET MATERIAL

Using a gasket scraper, remove all gasket material from the head and manifold surfaces.

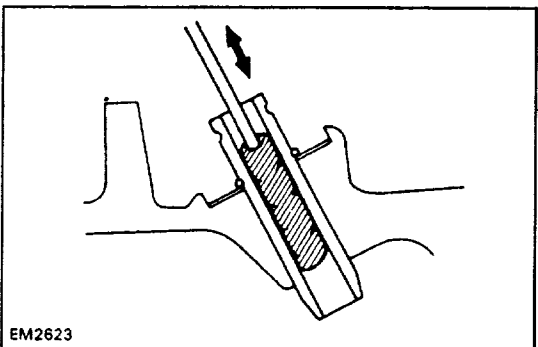
NOTICE: Be careful not to scratch the surfaces.



3. CLEAN COMBUSTION CHAMBERS

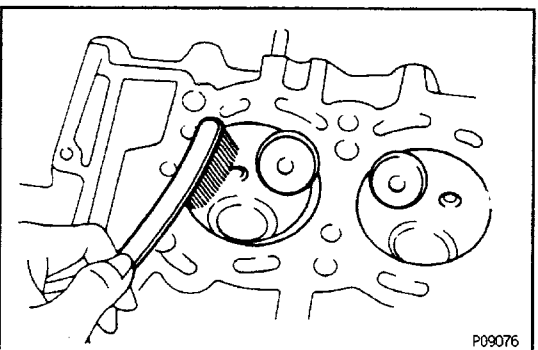
Using a wire brush, remove all the carbon from the combustion chambers.

NOTICE: Be careful not to scratch the head gasket contact surface.



4. CLEAN VALVE GUIDE BUSHINGS

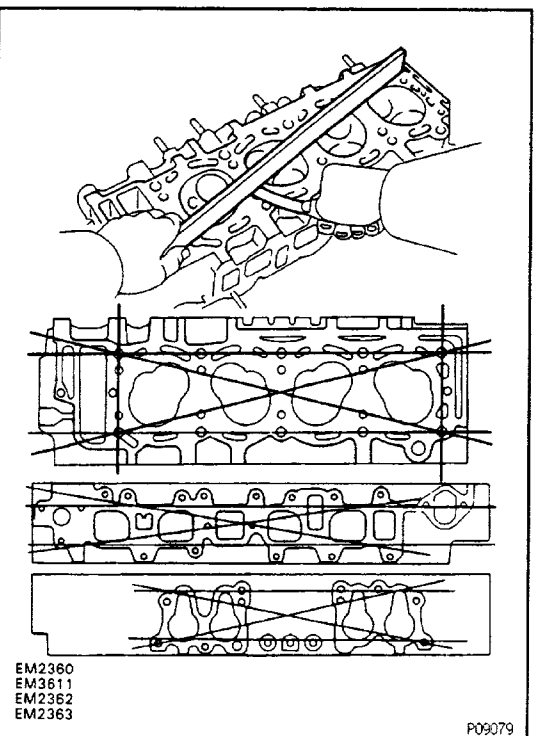
Using a valve guide brush and solvent, clean all the valve guide bushings.



5. CLEAN CYLINDER HEAD

Using a soft brush and solvent, clean the head.

NOTICE: Do not clean the head in a hot tank as this will seriously damage it.



6. INSPECT CYLINDER HEAD FOR FLATNESS

Using a precision straight edge and thickness gauge, measure the surface contacting the cylinder block and manifold for warpage.

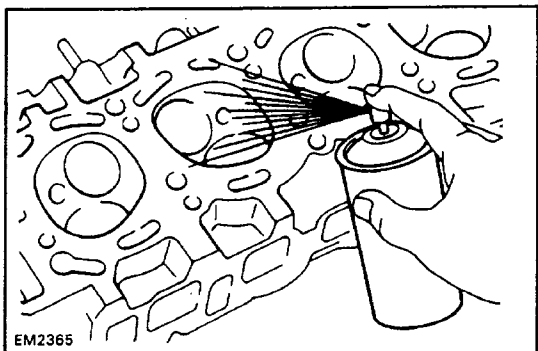
Maximum head surface warpage:

0.15 mm (0.0059 in.)

Maximum manifold surface warpage:

0.20 mm (0.0079 in.)

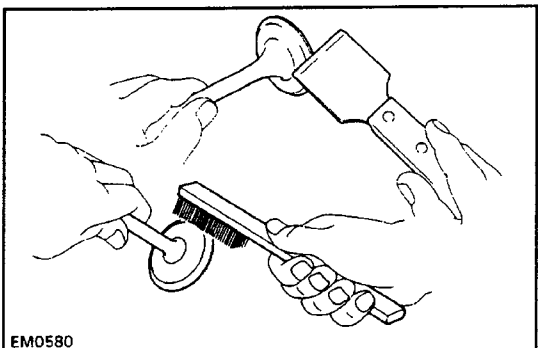
If warpage is greater than maximum, replace the cylinder head.



7. INSPECT CYLINDER HEAD FOR CRACKS

Using a dye penetrant, check the combustion chambers, intake and exhaust ports, head surface and the top of the head for cracks.

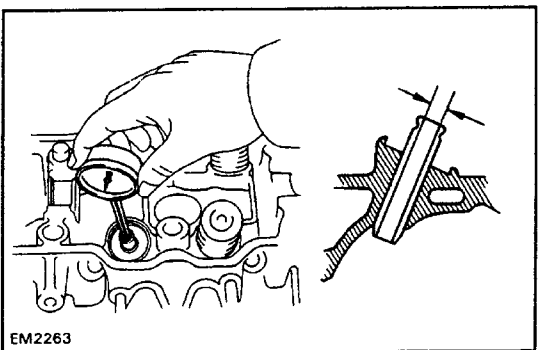
If a crack is found, replace the head.



8. CLEAN VALVES

(a) Using a gasket scraper, chip off any carbon from the valve head.

(b) Using a wire brush, thoroughly clean the valve.



9. INSPECT VALVE STEMS AND GUIDE BUSHINGS

(a) Using a caliper gauge, measure the inside diameter of the valve guide bushing.

Standard inside diameter: 8.01 – 8.03 mm
(0.3154 – 0.3161 in.)

(b) Using a micrometer, measure the diameter of the valve stem.

Standard valve stem diameter:

Intake 7.970 – 7.985 mm

(0.3138 – 0.3144 in.)

Exhaust 7.965 – 7.980 mm

(0.3136 – 0.3142 in.)

(c) Subtract the valve stem diameter measurement from the valve guide bushing diameter measurement.

Standard oil clearance:

Intake 0.025 – 0.060 mm

(0.0010 – 0.0024 in.)

Exhaust 0.030 – 0.650 mm

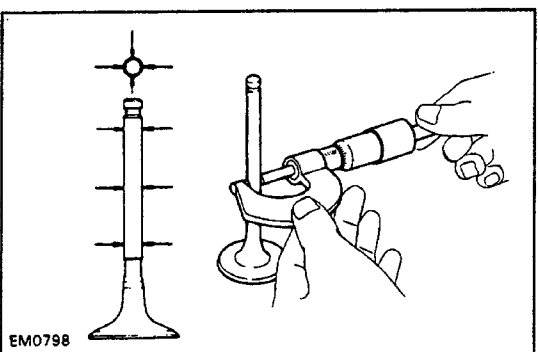
(0.0012 – 0.0026 in.)

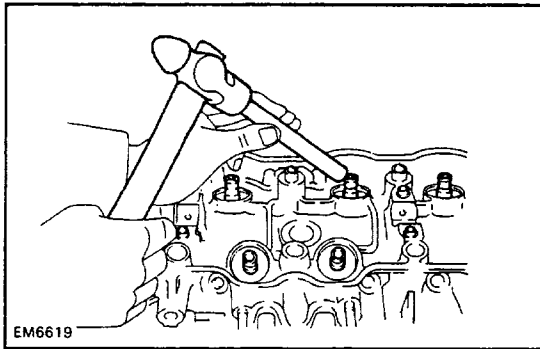
Maximum stem oil clearance:

Intake 0.08 mm (0.0031 in.)

Exhaust 0.10 mm (0.0039 in.)

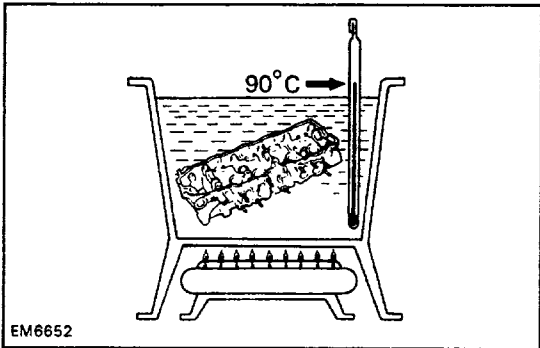
If the clearance is greater than maximum, replace the valve and guide bushing.



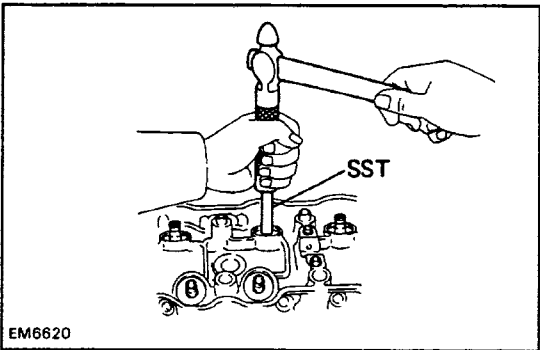


10. IF NECESSARY, REPLACE VALVE GUIDE BUSHINGS

(a) Using a brass bar and hammer, break the valve guide bushing.

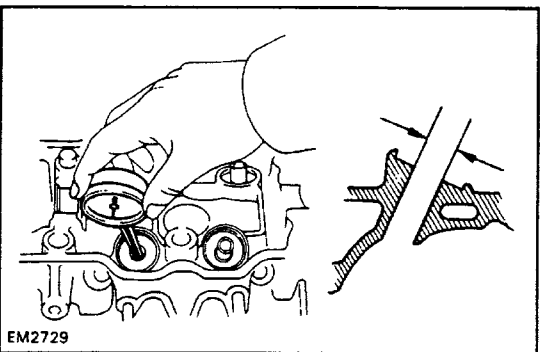


(b) Gradually heat the cylinder head to approx. 90°C (194°F).



(c) Using SST and a hammer, drive out valve guide bushing.

SST 09201-60011



(d) Using a caliper gauge, measure the valve guide bushing bore of the cylinder head.

(e) Select a new valve guide bushing.

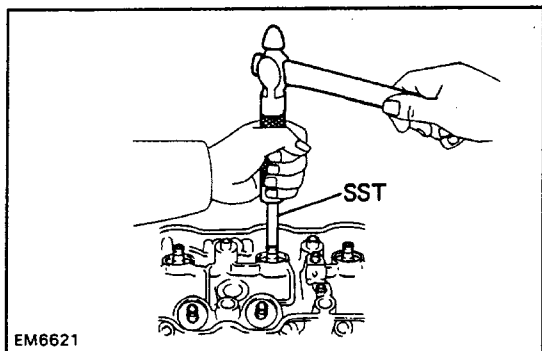
If the valve guide bushing bore of the cylinder head is more than 13.018 mm (0.512 in.), machine the bore to the following dimension.

Rebored valve guide bushing bore dimension (cold):

13.050 – 13.068 mm (0.5138 – 0.5145 in.)

Bore intake and exhaust

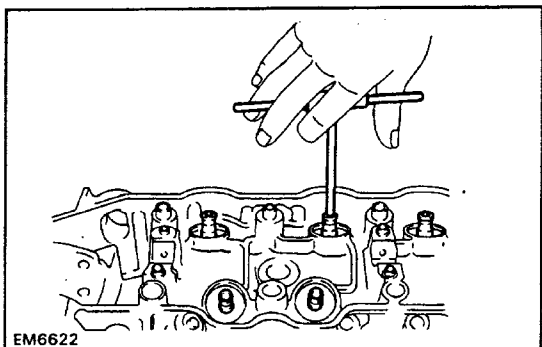
Bushing bore mm (in.)	Bushing size
13.000 – 13.018 (0.5118 – 0.5125)	Use STD
Over 13.018 (0.5125)	Use O/S 0.05



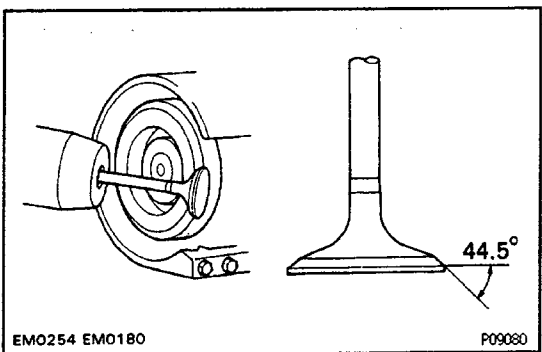
(f) Gradually heat the cylinder head to approx. 90°C (194°F).

(g) Using SST a and hammer, drive in a new valve guide bushing unit the snap ring makes contact with the cylinder head.

SST 09201-6001 1



(h) Using a sharp 8 mm (0.31 mm) reamer, ream the valve guide bushing to obtain standard specified clearance (See page EG1-23) between the valve guide bushing and new valve.

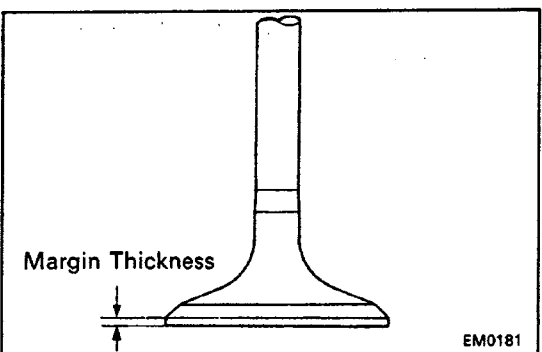


11. INSPECT AND GRIND VALVES

(a) Grind the valve only enough to remove pits and carbon.

(b) Check that valve is ground to the correct valve face angle.

Valve face angle: 44.5°

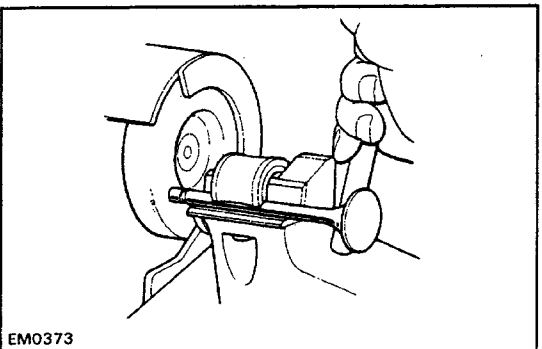


(c) Check the valve head margin thickness.

Standard margin thickness: 1.0 mm (0.039 in.)

Minimum margin thickness: 0.6 mm (0.024 in.)

If the valve head margin thickness is less than minimum, replace the valve.



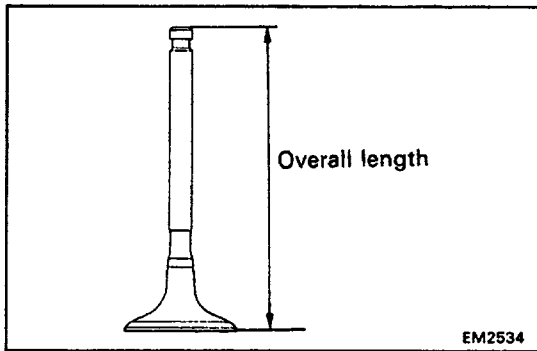
(d) Check the surface of the valve stem tip for wear. If the valve stem tip is worn, regrind it with grinder or replace the valve if necessary.

NOTICE: Do not grind off more than minimum overall length.

Minimum overall length:

Intake 113.0 mm (4.449 in.)

Exhaust 111.9 mm (4.406 in.)



(e) Check the valve overall length.

Standard overall length:

Intake 113.5 mm (4.468 in.)

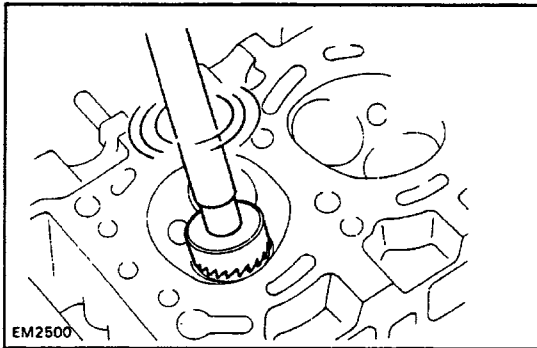
Exhaust 112.4 mm (4.425 in.)

Minimum overall length:

Intake 113.0 mm (4.449 in.)

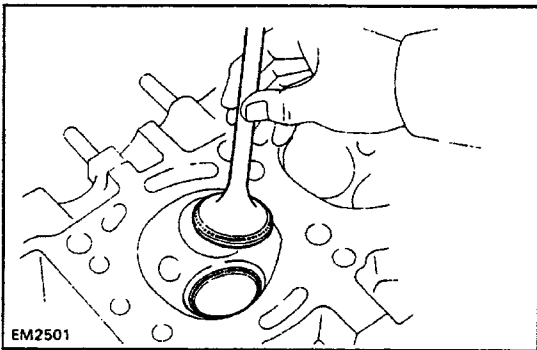
Exhaust 111.9 mm (4.406 in.)

If the valve overall length is less than minimum, replace the valve.



12. INSPECT AND CLEAN VALVE SEATS

(a) Using a 45° carbide cutter, resurface the valve seats. Remove only enough metal to clean the seats.



(b) Check the valve seating position.

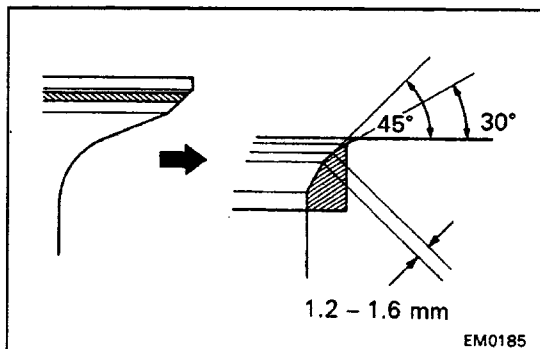
Apply a light coat of prussian blue (or white lead) to the valve face. Install the valve. Lightly press the valve against the seat. Do not rotate the valve.

(c) Check the valve face and seat for the following:

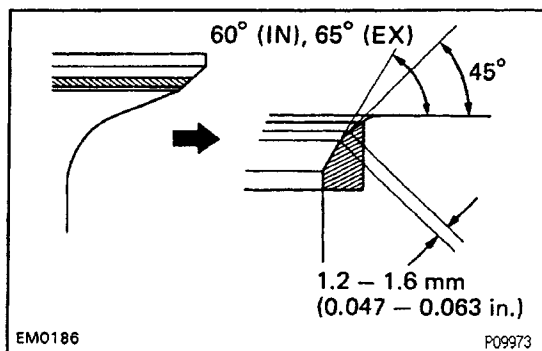
- If blue appears 360° around the face, the valve is concentric. If not, replace the valve.
- If blue appears 360° around the valve seat, the guide and seat are concentric. If not, resurface the seat.
- Check that the seat contact is on the middle of the valve face with the following width:

1.2 – 1.6 mm (0.047 – 0.063 in.)

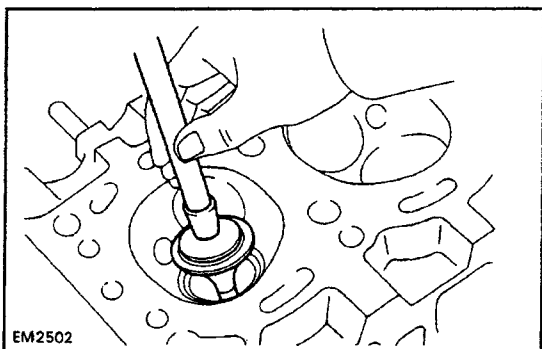
If not, correct the valve seat as follows:



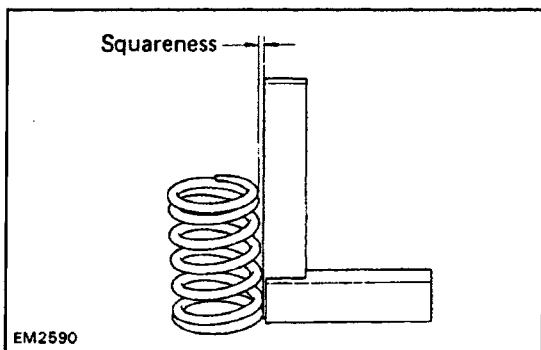
- If seating is too high on the valve face, use 30° and 45° cutters to correct the seat.



- If seating is too low on the valve face, use 60° (IN) or 65° (EX) and 45° cutters to correct the seat.



- (d) Hand-lap the valve and valve seat with abrasive compound.

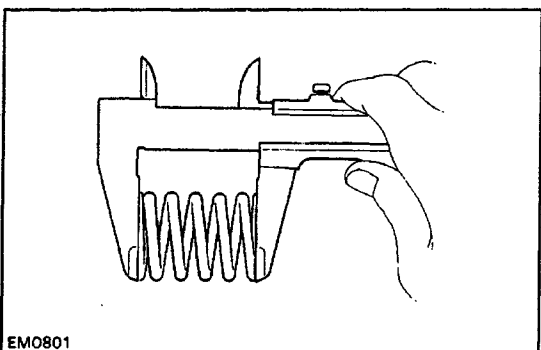


13. INSPECT VALVE SPRINGS

- (a) Using a steel square, measure the squareness of the valve spring.

Maximum squareness: 1.6 mm. (0.063 in.)

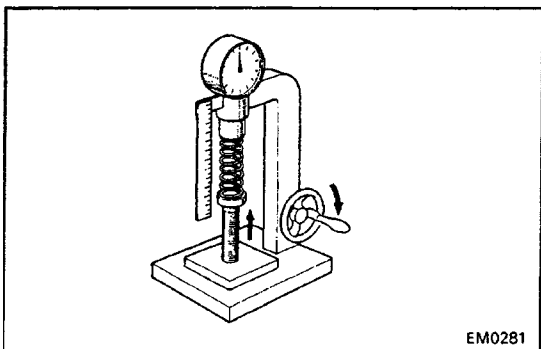
If squareness is greater than maximum, replace the valve spring.



- (b) Using vernier calipers, measure the free length of the valve spring.

Free length: 48.5 mm (1.909 in.)

If the free length is not within specification, replace the valve spring.



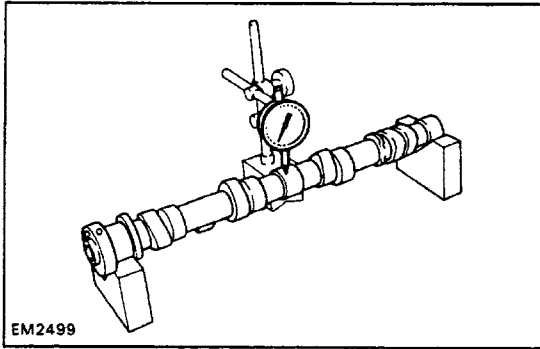
- (c) Using a spring tester, check the tension of each spring at the specified installed height.

Installed height: 40.5 mm (1.594 in.)

Standard installed tension: 294 N (30.0 kgf, 66.1 lbf)

Minimum installed tension: 279 N (28.5 kgf, 62.8 lbf)

If the installed tension is less than minimum, replace the spring.

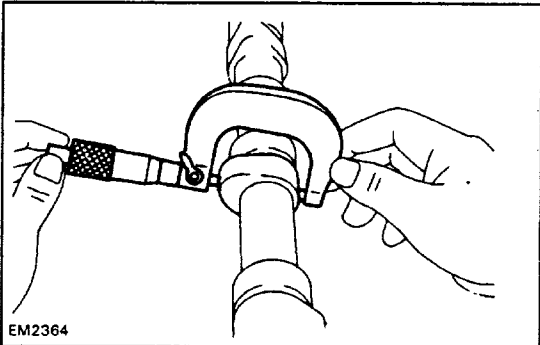


14. INSPECT CAMSHAFT AND BEARING CAPS

(a) Place the cam shaft on V – blocks and , using a dial indicator, measure the circle runout at the center journal.

Maximum circle runout: 0.2 mm (0.008 in.)

If the circle runout is greater than maximum, replace the camshaft.



(b) Using a micrometer, measure the cam lobe height.

Standard cam lobe height:

Intake 42.63 – 42.72 mm (1.6783 – 1.6818 in.)

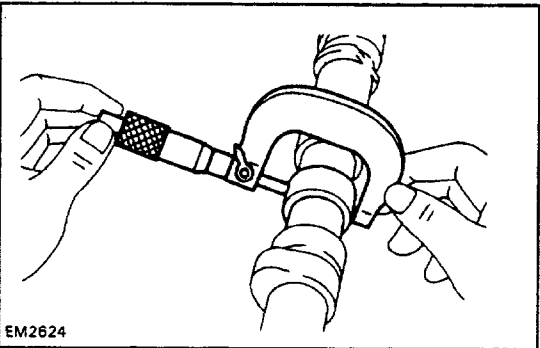
Exhaust 42.69 – 42.78 mm (1.6807 – 1.6842 in.)

Maximum cam lobe height:

Intake 42.25 mm (1.6634 in.)

Exhaust 42.30 mm (1.6654 in.)

If the lobe height is less than ,minimum, replace the camshaft.

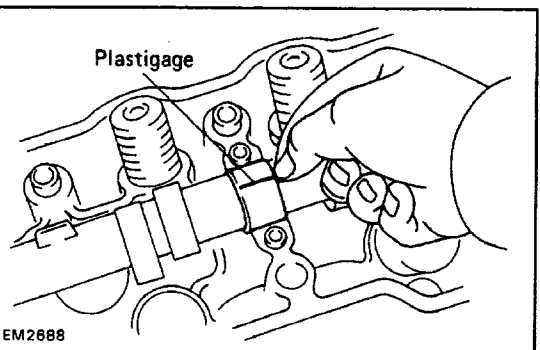


(c) Using a micrometer, measure the journal diameter.

Standard diameter: 32.98 – 33.00 mm

(1.2984 – 1.2992 in.)

If the journal diameter is less than specified, replace the camshaft.

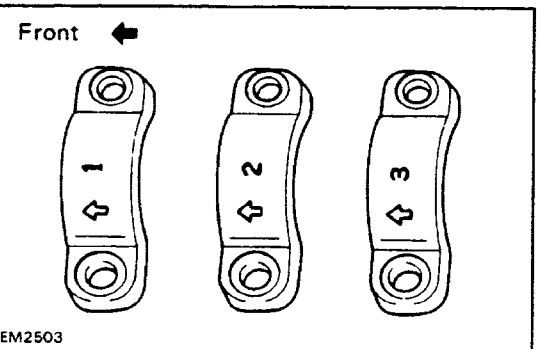


15. INSPECT CAMSHAFT OIL CLEARANCE

(a) Clean the bearing caps and camshaft journal.

(b) Place the camshaft in the cylinder head.

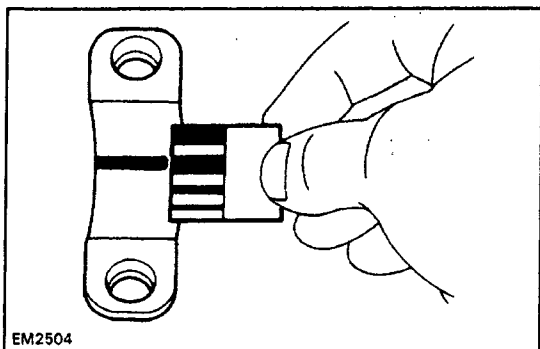
(c) Lay a strip of Plastigage across each journal.



(d) Install the correct numbered bearing cap on each journal with the arrows pointing toward the front. Torque each bolt.

Torque: 20 N·m (200kgf.-cm, 14ft-lbf)

HINT: Do not turn the camshaft while the Plastigags is in place.



(e) Remove the caps and measure the Plastigage at its widest point.

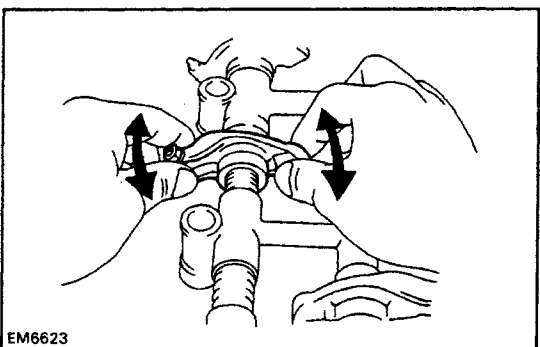
Standard clearance: 0.01 – 0.05 mm

(0.0004 – 0.0020 in.)

Maximum clearance: 0.1 mm (0.004 in.)

If clearance is greater than maximum, replace the cylinder head and/or camshaft.

(f) Clean out the pieces of Plastigage from the bearing and journal.



16. INSPECT ROCKER ARMS

Check the clearance between the rocker arms and shaft by moving the rocker arms as shown. Little or no movement should be felt.

If movement is felt, disassemble the rocker arm assembly and measure the oil clearance as follows:

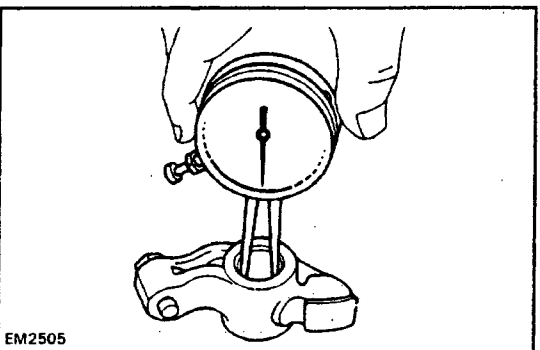
(a) Disassemble rocker arm assembly.

- Remove the three screws.
- Slide the rocker stands, spring and rocker arms off the shafts.

(b) Using a dial indicator or telescoping gauge, measure the inside diameter of the rocker arm.

Standard inside diameter: 16.000 – 16.018 mm.

(0.6299 – 0.6306 in.)



(c) Using a micrometer, measure the outside diameter of the shaft.

Standard diameter: 15.97 – 15.99 mm

(0.6287 – 0.6295 in.)

(d) Subtract the shaft diameter measurement from the rocker arm diameter measurement.

Standard oil clearance: 0.01 – 0.05 mm

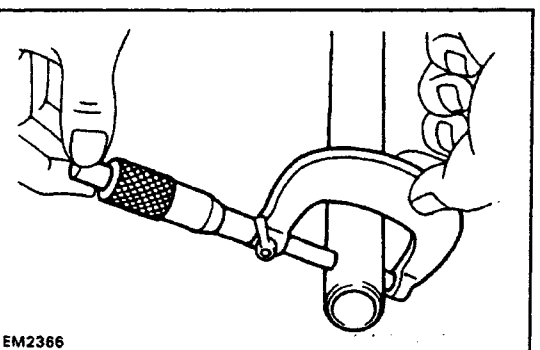
(0.0004 – 0.0020 in.)

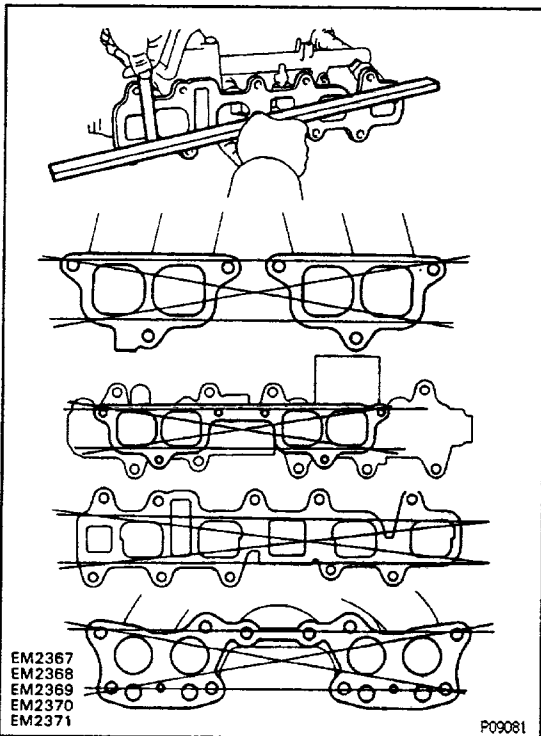
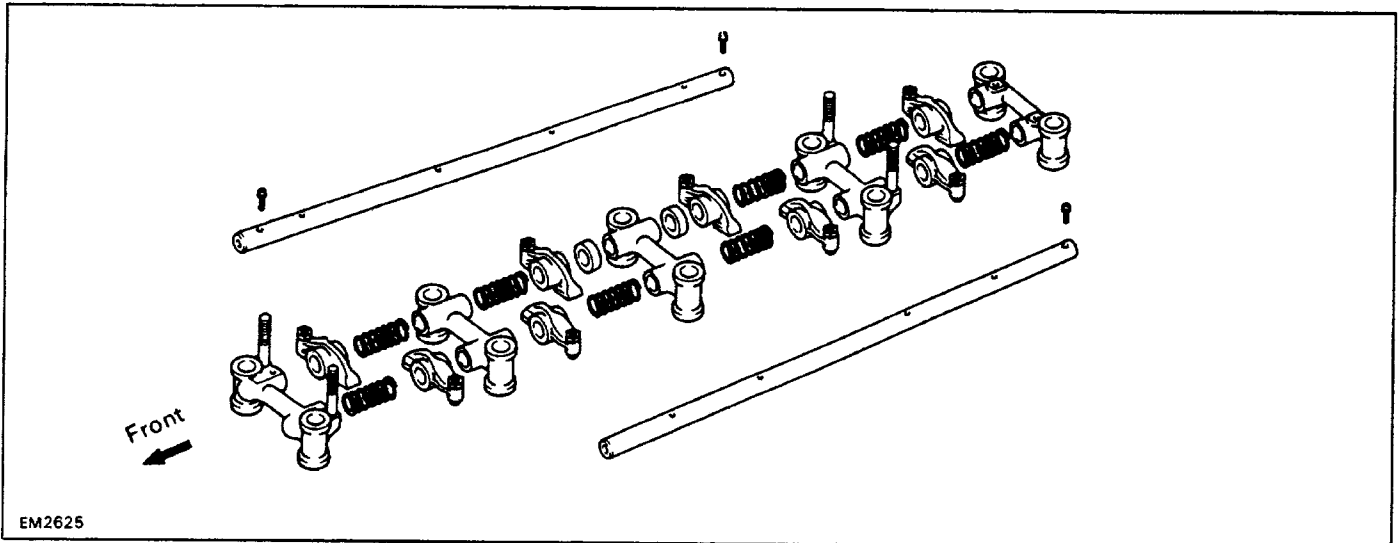
Maximum oil clearance: 0.08 mm (0.0031 in.)

If the oil clearance is greater than maximum, replace the rocker arm and/or shaft.

(e) Assemble the rocker arm assembly as shown, and install the three screws.

HINT: All rocker arms are the same but all rocker stands are different and must be assembled in the correct order.





17. INSPECT INTAKE, EXHAUST MANIFOLDS AND AIR INTAKE CHAMBER

Using a precision straight edge and thickness gauge, check the surface contacting the cylinder head or intake manifold for warpage.

Maximum intake warpage: 0.2 mm (0.008 in.)

Maximum exhaust warpage: 0.7 mm (0.28 in.)

**Maximum air intake chamber warpage:
0.2 mm (0.008 in.)**

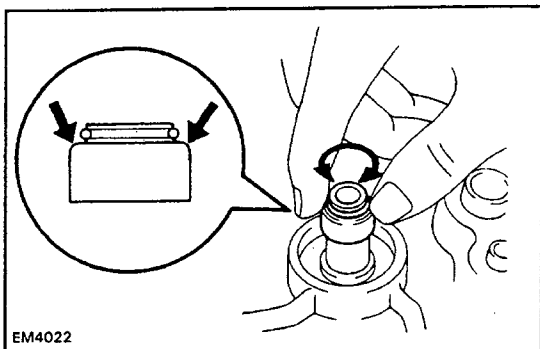
If warpage is greater than maximum, replace the manifold and/or air intake chamber.

CYLINDER HEAD ASSEMBLY

(See page [EG1-15](#))

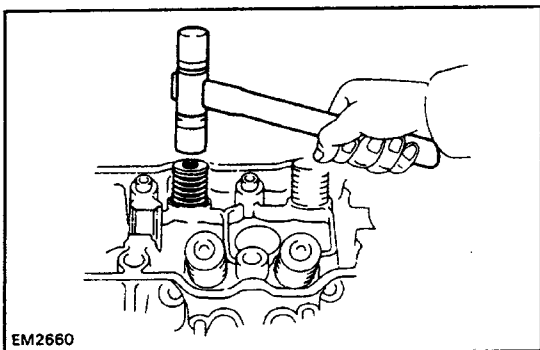
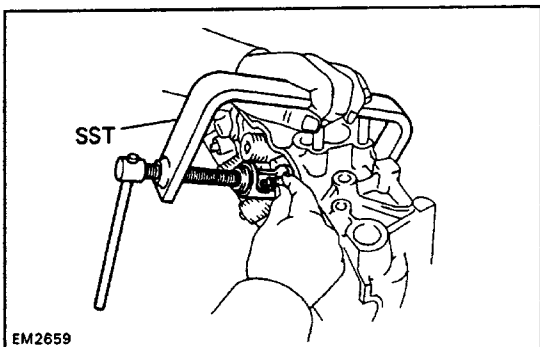
HINT:

- Thoroughly clean all parts to be assembled.
- Before installing the parts, apply new engine oil to all sliding and rotating surfaces.
- Replace all gaskets and oil seals with new parts.

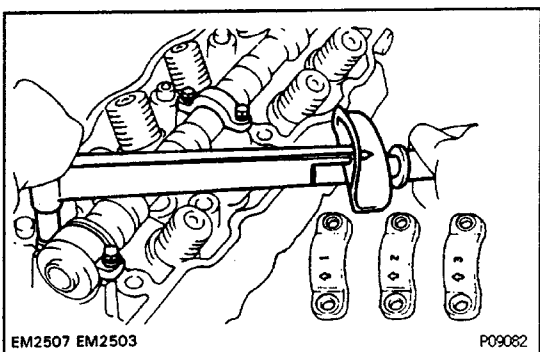


1. INSTALL VALVES

- (a) Install a new oil seal on the valve guide bushing.
HINT Pushing down at the place shown in the illustration.
- (b) Rotate the oil seal to check that it is firmly installed.
- (c) Lubricate and insert valve in the valve guide bushing. Check that valves are installed in the correct order.
- (d) Install spring seat, spring and spring retainer on the cylinder head.
- (e) Using SST, compress valve retainer and place two keepers around the valve stem.
SST 09202-43013

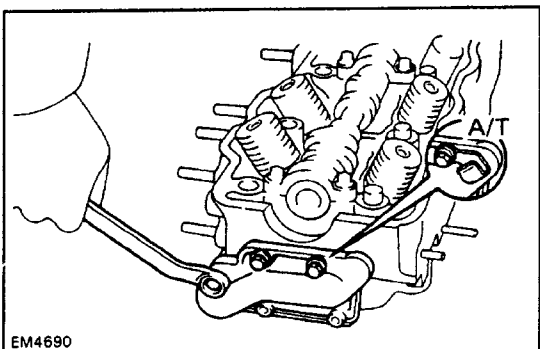


- (f) Tap the stem lightly to assure proper fit.



2. INSTALL CAMSHAFT

- (a) Place the camshaft in the cylinder head and install the bearing caps in numbered order from the front with arrows pointed toward the front.
- (b) Install and torque the cap bolts.
Torque: 20N-m (200kgf-cm, 14ft-lbf)
- (c) Turn the camshaft to position the dowel at the top.

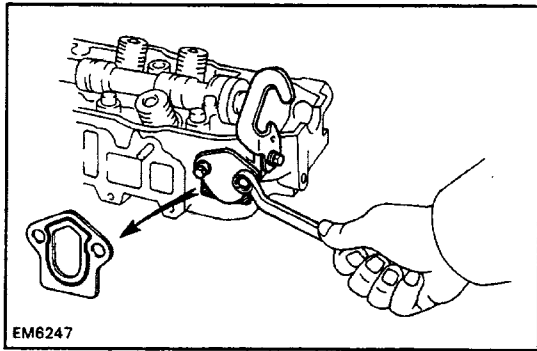


3. INSTALL CYLINDER HEAD REAR COVER

Install a new gasket, cylinder head rear cover and throttle cable clamp (for A/T) with the four bolts.

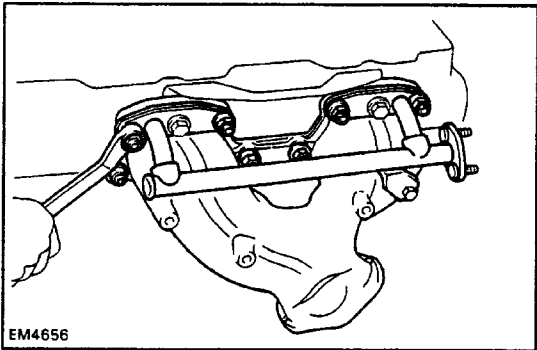
4. INSTALL LH ENGINE HANGER AND GROUND STRAP

5. INSTALL RH ENGINE HANGER



6. INSTALL PLUG PATE

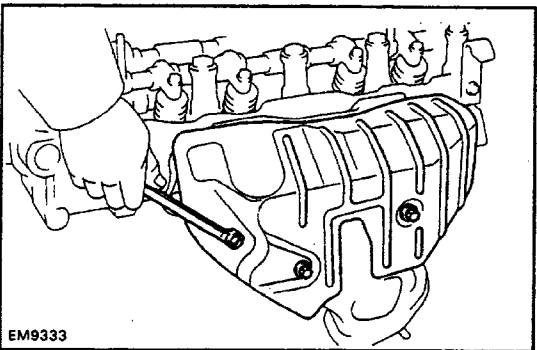
Install a new gasket and plug plate with the two bolts.
HINT: Attach the flat side of the gasket to the cylinder head.



7. INSTALL EXHAUST MANIFOLD

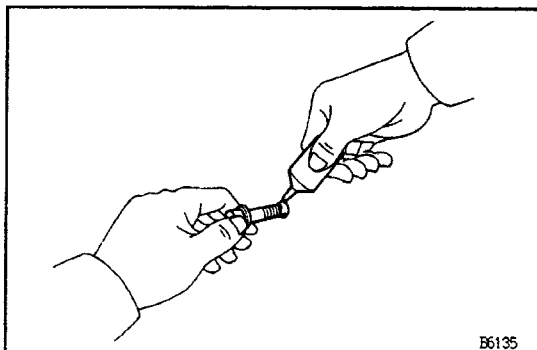
(a) Position a new gasket on the cylinder head.
 (b) Install the exhaust manifold with the eight nuts.
 Torque the nuts.

Torque: 44N-m (450kgf-cm, 33ft-lbf)



(c) Install the No. 2 exhaust manifold heat insulator with the three bolts.

Torque: 19N-m (195kgf-cm, 14ft.-lbf)



8. INSTALL EGR VALVE

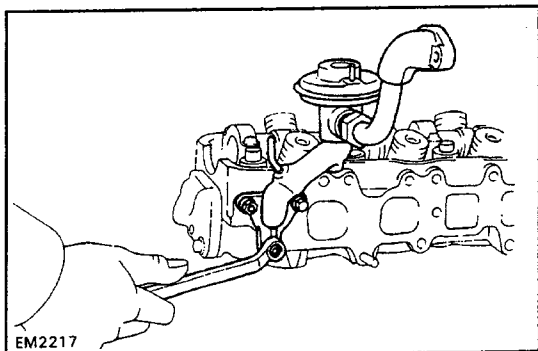
(a) Clean the set bolt (closest to the front) threads and cylinder head bolt holes of any sealer, oil or foreign particles.

Remove any oil with kerosene or gasoline.

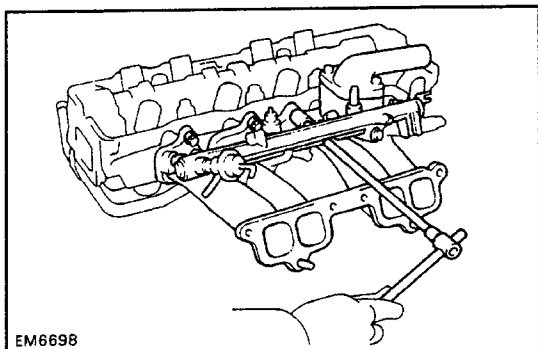
(b) Apply sealant to 2 or 3 threads of the bolt end.

Sealant: Part No. 08833-00070, THREE BOND 1324 or equivalent

- This adhesive will not harden while exposed to air. It will act as a sealer or binding agent only when applied to threads, etc. and air is cut off.



(c) Install the EGR valve with the two bolts and nut.

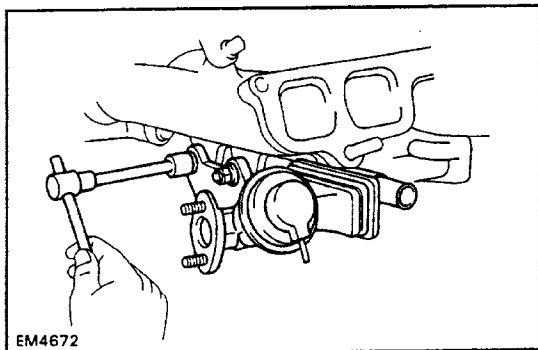


9. INSTALL INTAKE MANIFOLD

- (a) Position a new gasket on the cylinder head.
 (b) Install the intake manifold with the delivery pipe and injectors and No. 1 air pipe.
 (c) Install the seven bolts, one hexagon bolt and two nuts.
 Torque the bolts and nuts.

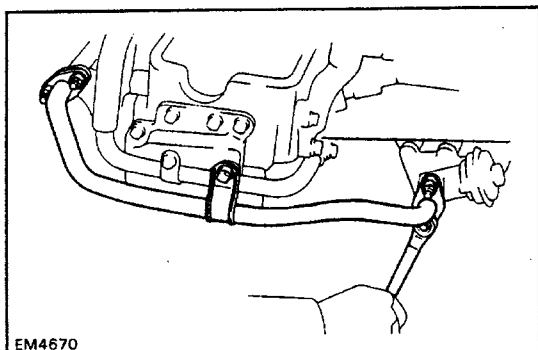
Torque: 19Nm (195kgf-cm, 14ft-lbf)

(d) Install the heater inlet pipe to the cylinder head with the bolt.



(e) Install the PAIR valve with the two nuts.

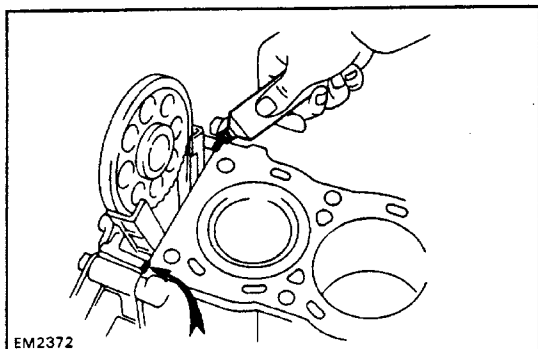
Torque: 13N-m (130kgf-cm, 9 ft-lbf)



10. INSTALL NO. 1 SECONDARY AIR INJECTION MANIFOLD

- (a) Position new gaskets on the PAIR valve and No. 1 secondary air injection pipe.
 (b) Install the No. 1 secondary air injection pipe with the four nuts and bolt.

Torque: 13Nm (130kgf-cm, 9ft-lbf)



CYLINDER HEAD INSTALLATION

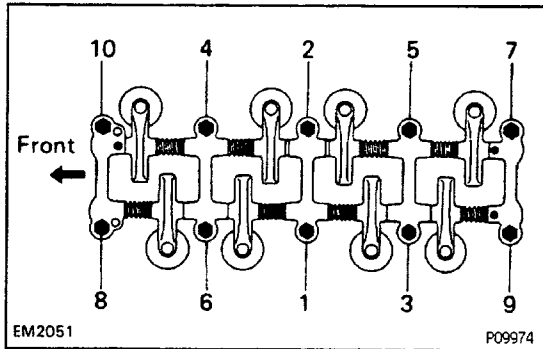
(See page [EG1-15](#))

1. APPLY SEAL PACKING TO CYLINDER BLOCK

- (a) Apply seal packing to two locations as shown.
Seal packing: Part No. 08826-00080 or equivalent
 (b) Place a new head gasket over dowels on the cylinder block.

2. INSTALL CYLINDER HEAD

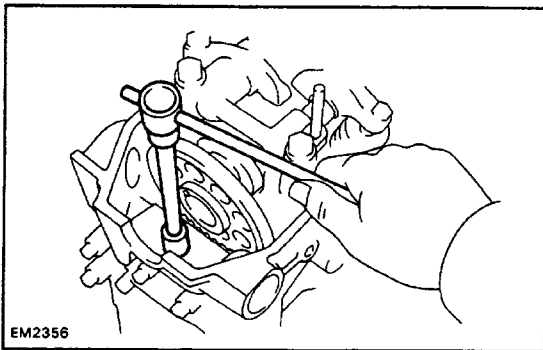
- (a) If the sprocket was removed, align the alignment marks placed on the sprocket and chain during removal.
- (b) position the cylinder head over dowels on the block.



3. INSTALL ROCKER ARM ASSEMBLY

- (a) Place the rocker arm assembly over the dowels on the cylinder head.
- (b) Install and tighten the head bolts gradually in three passes in the sequence shown. Torque the bolts on the final pass.

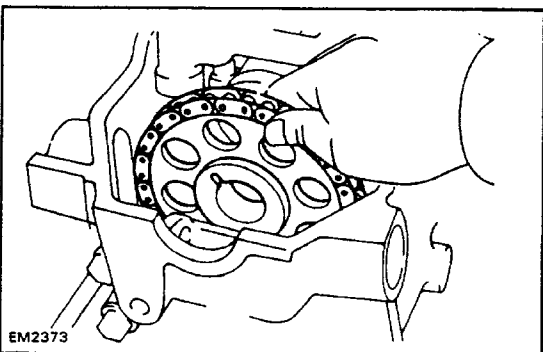
Torque: 78N-m (800kgf-cm, 58ft-lbf)



4. INSTALL CHAIN COVER BOLT

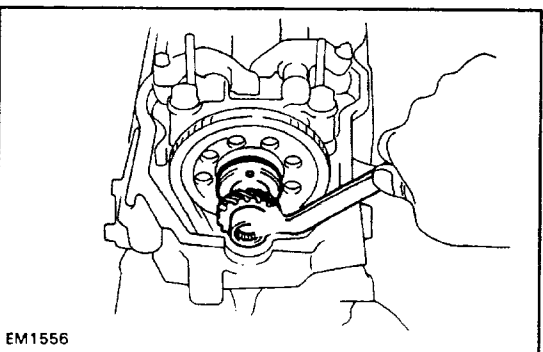
Torque the bolt.

Torque: 13N-m (130kgf-cm, 9ft-lbf)



- (a) While holding up on the sprocket and chain, turn the crankshaft until the No. 1 and No. 4 cylinders are at top dead center.

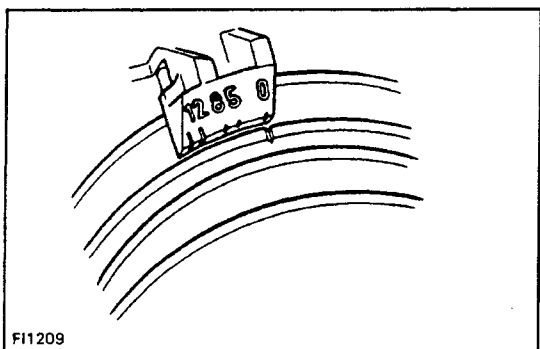
(b) Place the chain sprocket over the camshaft dowel.
 HINT: If the chain does not seem long enough, turn the crankshaft back and forth while pulling up on the chain and sprocket.



5. INSTALL DISTRIBUTOR DRIVE GEAR AND CAM-SHAFT THRUST PLATE

Place the distributor drive gear and camshaft thrust plate over the chain sprocket. Torque the bolt.

Torque: 78N-m (800kgf-cm, 58ft-lbf)



6. ADJUST VALVE CLEARANCE

- (a) Set the No. 1 cylinder to TDC/compression.
- Turn the crankshaft with a wrench to align the timing, marks at TDC. Set the groove on the pulley at the "0" mark position of the chain cover.
 - Check that the rocker arms on the No. 1 cylinder are loose and the rocker arms on No. 4 cylinder are tight.

If not, turn the crankshaft one complete revolution and align the marks as above.

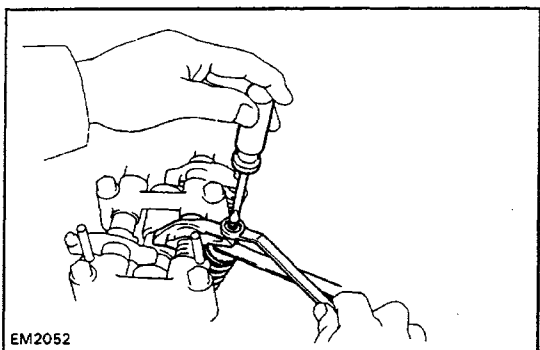
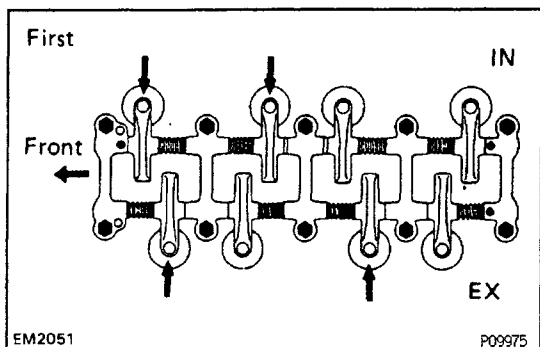
- (b) Adjust the clearance of half of the valves. Adjust only the valves indicated by arrows as shown.

Valve clearance (Cold):

Intake 0.20 mm (0.008 in.)

Exhaust 0.30 mm (0.012 in.)

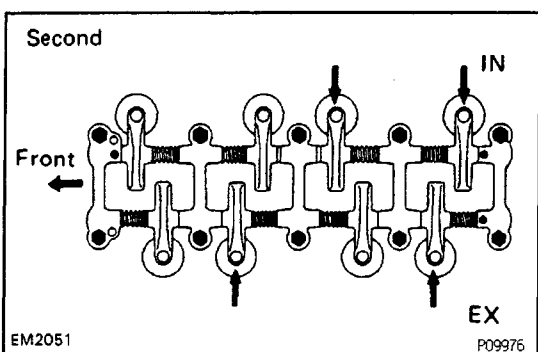
HINT: After installing the cylinder head, warm up the engine and adjust the valve clearance.



Use a thickness gauge to measure between the valve stem and rocker arm. Loosen the lock nut and turn the adjusting screw to set the proper clearance. Hold the adjusting screw in position and tighten the lock nut.

Torque: 25N-m (250kgf-cm, 18ft-lbf)

Recheck the clearance. The thickness gauge should move with a very slight drag.



- (c) Turn the crankshaft one revolution and adjust the other valves.

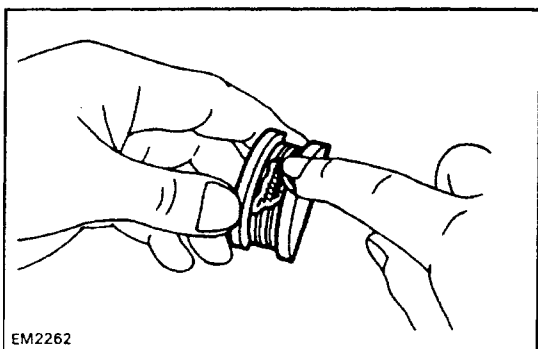
- (d) Set the No. 1 cylinder to TDC/compression.

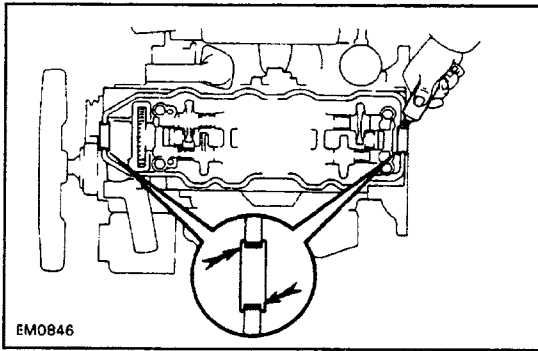
7. INSTALL HALF-CIRCULAR PLUGS

- (a) Apply seal packing to the cylinder head installation surface of the plug.

Seal packing: Part No. 08826-00080 or equivalent

- (b) Install the half-circular plugs to the cylinder head.



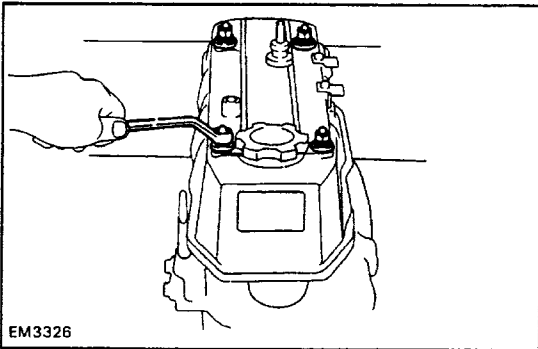


EM0846

8. INSTALL HEAD COVER

(a) Apply seal packing to the four locations shown.

Seal packing: Part No. 08826-00080 or equivalent

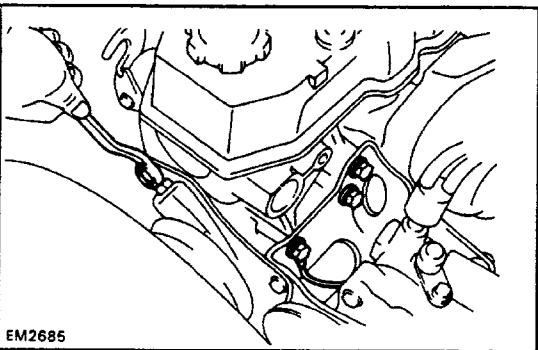


EM3326

(b) Install the gasket to the cylinder head.

(c) Place the head cover on the cylinder head and install the four seals and nuts.

Torque: 5.9N-m (60kgf-cm, 52in.-lbf)



EM2685

POST INSTALLATION

EG1VM-02

1. (w/PS)

CONNECT PS BRACKET TO CYLINDER HEAD

Install the four bolts and bond strap. Torque the bolts.

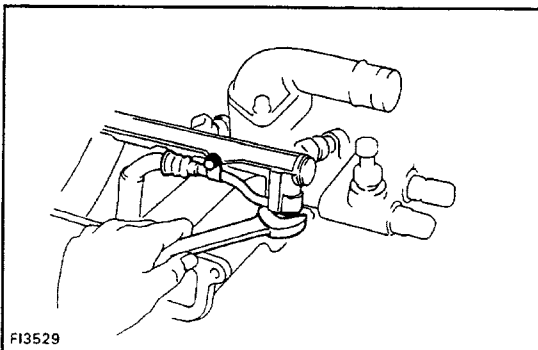
Torque: 44N-m (450kgf-cm, 33ft-lbf)

2. (w/PS)

INSTALL DRIVE BELT AND ADJUST BELT TENSION

(See step 2 on page [MA-6](#))

3. CONNECT BY-PASS HOSE TO INTAKE MANIFOLD



FI3529

4. CONNECT FUEL HOSE TO DELIVERY PIPE

Install new gaskets and the fuel hose with union bolt.

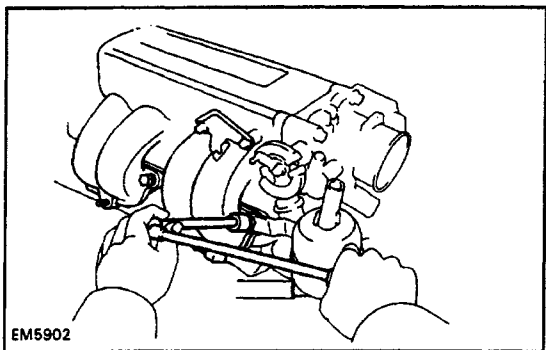
Torque: 44N-m (450kgf-cm, 33ft-lbf)

5. CONNECT FOLLOWING WIRES:

- (a) Engine coolant temp. sensor wire
- (b) Cold start injector time switch wire
- (c) VSV wires
- (d) Igniter wire

- (e) (A/T)
OD temp. switch wire
- (f) Engine coolant temp. sender gauge wire
- (g) Injector wires
- (h) (with A/C)
Compressor wires
- (i) Transmission wires
- (j) Starter wire (terminal 50)
- (k) Oil pressure sender gauge wire
- (l) Knock sensor wire

6. CONNECT FUEL RETURN HOSE



7. INSTALL CHAMBER WITH THROTTLE BODY

- (a) Position new gaskets on the intake manifold and No. 1 EGR pipe.
- (b)– Install the chamber, throttle body, fuel hose clamp, resonator and bond strap with the four bolts and two nuts.
- (c) Connect the chamber and stay with a bolt.
- (d) Install the bolts holding the EGR valve to the chamber.
- (e) Install the new gaskets and cold start injector pipe.

8. CONNECT FOLLOWING WIRES:

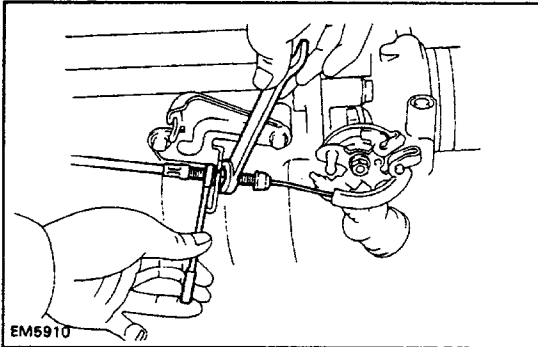
- (a) (California only)
EGR gas temp. sensor wire
- (b) Throttle position wire
- (c) Cold start injector wire

9. INSTALL EGR VACUUM MODULATOR

10. CONNECT FOLLOWING PARTS:

- (a) (w/ Oil cooler)
Connect the No. 1 oil cooler hose to the intake manifold.
- (w/o Oil cooler)
Connect the No. 1 water by-pass hose to the intake manifold.
- (b) No. 2 and No. 3 water by-pass hoses to the throttle body
- (c) Vacuum hoses to throttle body
- (d) Pressure regulator hose
- (e) Fuel pressure up hose
- (f) PAIR valve hose
- (g) EGR valve hose

- (h) EGR vacuum modulator hose
- (i) EVAP hose
- (j) (with A/C)
- VSV hoses
- (k) (w/PS)
- Air control valve hoses
- (l) Brake booster hose
- (m) No. 1 and No. 2 PCV hoses



11. CONNECT GROUND STRAP TO ENGINE REAR SIDE

12. (A/T)

CONNECT THROTTLE CABLE

Connect the throttle cable to the clamp and bracket.

13. CONNECT ACCELERATOR CABLE

14. CONNECT HEATER WATER INLET HOSE TO HEATER WATER INLET PIPE

15. INSTALL RADIATOR INLET HOSE

16. INSTALL SPARK PLUGS AND DISTRIBUTOR

(See pages [IG-6](#), [9](#))

17. INSTALL OIL DIPSTICK

18. CONNECT EXHAUST PIPE TO EXHAUST MANIFOLD

(a) Install the new gaskets, and connect the exhaust pipe to the exhaust manifold with the three nuts.

(b) Install the exhaust pipe clamp.

19. INSTALL INTAKE AIR CONNECTOR

20. FILL WITH ENGINE OIL

(See step 3 on page [EG1-236](#))

21. FILL WITH COOLANT

(See step 3 on page [EG1-225](#))

22. CONNECT CABLE TO NEGATIVE TERMINAL OF BATTERY

23. START ENGINE

Warm up the engine and inspect for leaks.

24. PERFORM ENGINE ADJUSTMENT

(See page [EG1-10](#))

25. RECHECK COOLANT AND ENGINE OIL LEVEL

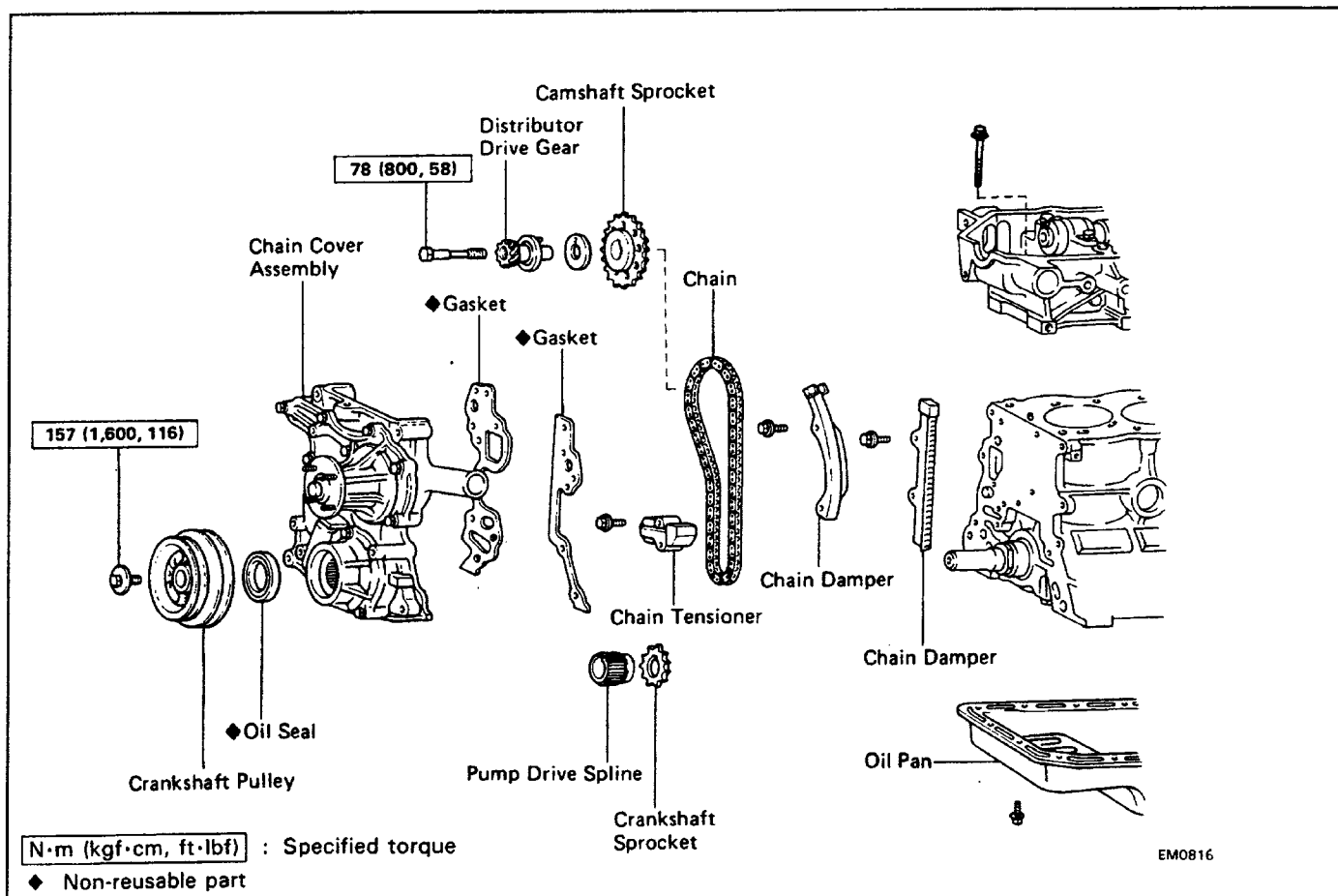
26. ROAD TEST

Road test the vehicle.

27. RECHECK COOLANT AND ENGINE OIL LEVEL

TIMING CHAIN COMPONENTS

EG1VJ-01



EG1VK-02

PREPARATION OF REMOVAL

1. REMOVE CYLINDER HEAD

(See page [EG1-16](#))

2. REMOVE RADIATOR

(See page [EG1-230](#))

3. (4WD)

REMOVE FRONT DIFFERENTIAL

(See SA section)

4. REMOVE OIL PAN

(a) Remove the engine undercover.

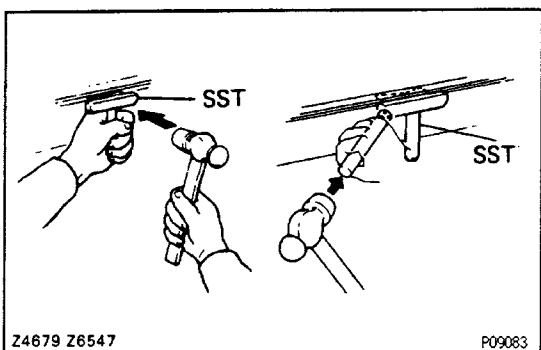
(b) Remove the engine mounting bolts.

(c) (2WD)

Place a jack under the transmission and raise the engine approx. 25 mm (0.98 in.)

(d) Remove the sixteen bolts and nuts.

(e) Using SST and brass bar, separate the oil pan from the cylinder block.



SST 09032 - 00100

HINT: When removing the oil pan, be careful not to damage the oil pan flange.

EG1VL-02

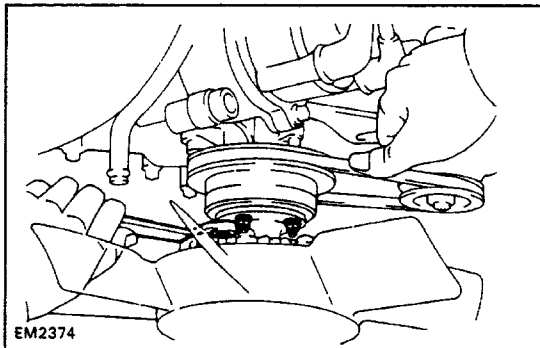
TIMING CHAIN REMOVAL

1. (W/PS)

REMOVE PS BELT

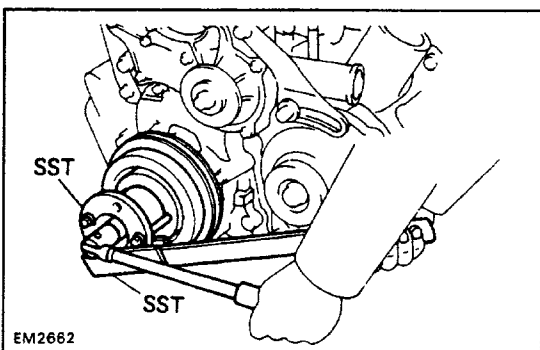
2. (with A/C)

REMOVE A/C BELT, COMPRESSOR AND BRACKET



3. REMOVE FLUID COUPLING WITH FAN AND WATER PUMP PULLEY

- (a) Loosen the water pump pulley set bolts.
- (b) Loosen the belt adjusting bolt and pivot bolt of the generator, and remove the drive belt.
- (c) Remove the set nuts, fluid coupling with fan and water pump pulley.



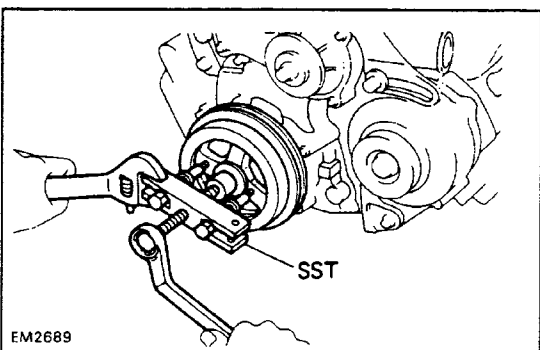
4. REMOVE CRANKSHAFT PULLEY

- (a) (with A/C (w/o Air pump) or w/PS (w/ Air pump))

Remove the No. 2 crankshaft pulley.

- (b) Using SST to hold the crankshaft pulley, loosen the pulley bolt.

SST 09213-70010 and 09330-00021

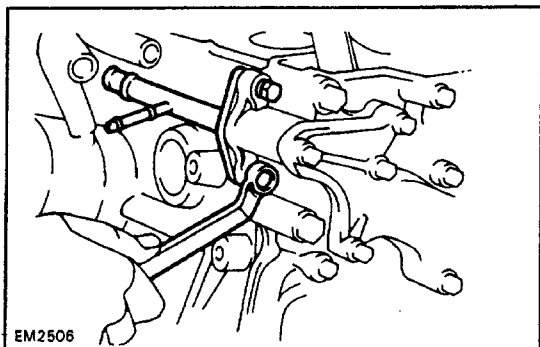


- (c) Using SST, remove the crankshaft pulley.

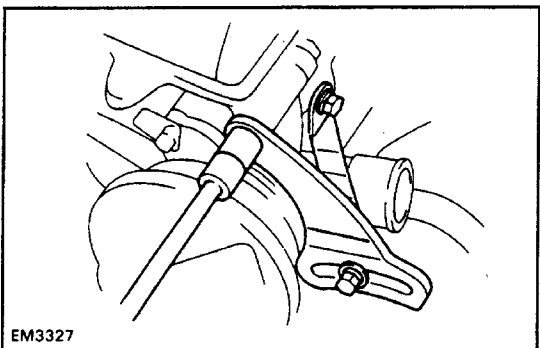
SST 09213-310231

HINT: If the front seal is to be replaced, see page

[EG1-236](#).

**5. REMOVE NO. 1 WATER BY-PASS PIPE**

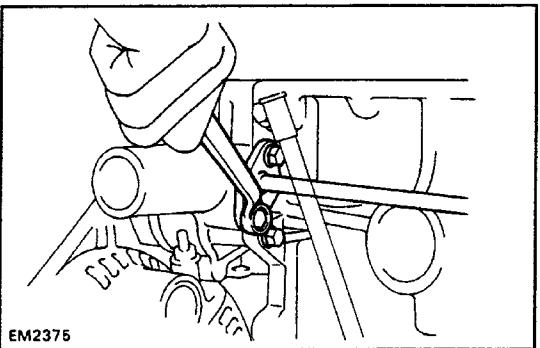
Remove the two bolts and pipe.

**6. REMOVE FAN BELT ADJUSTING BAR**

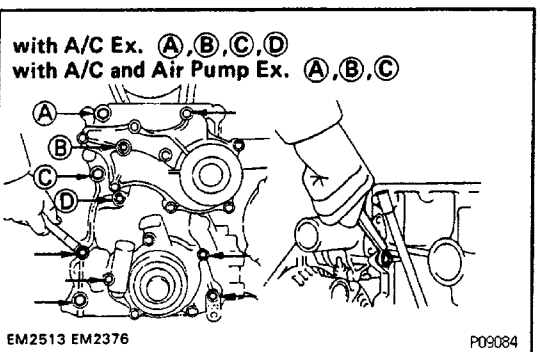
(a) (w/ PS)

Remove the bolt and PS lower bracket.

(b) Remove the three bolts and bar.

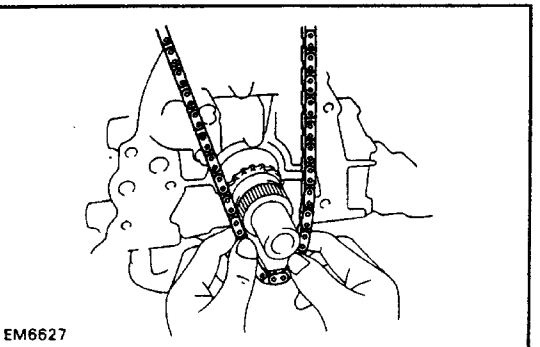
**7. DISCONNECT HEATER WATER OUTLET PIPE**

Remove the two bolts, and disconnect heater water outlet pipe.

**8. REMOVE CHAIN COVER ASSEMBLY**

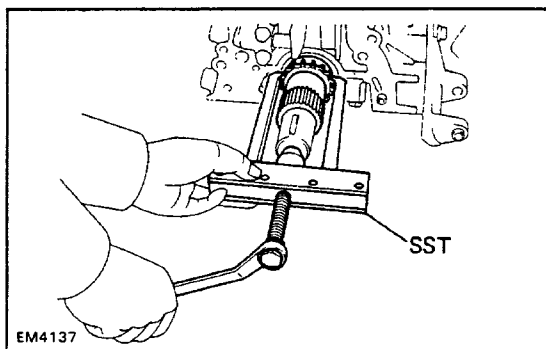
(a) Remove timing chain cover bolts shown by the arrows.

(b) Using a plastic faced hammer, loosen the chain cover and remove it.

**9. REMOVE CHAIN AND CAMSHAFT SPROCKET**

(a) Remove the chain from the damper.

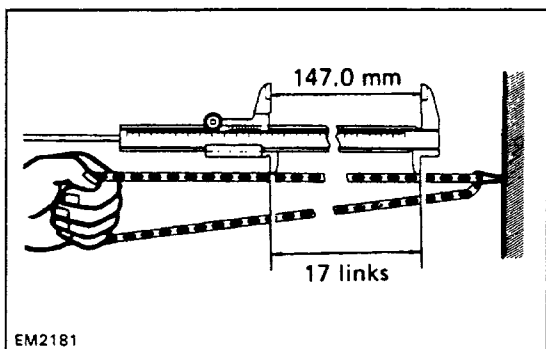
(b) Remove the cam sprocket and chain together.



10. REMOVE PUMP DRIVE SPLINE AND CRANKSHAFT SPROCKET

If the oil pump drive spline and sprocket cannot be removed by hand, use SST to remove them together.
SST 09213-36020

11. REMOVE GASKET MATERIAL ON CYLINDER BLOCK



COMPONENTS INSPECTION

EG1VM-01

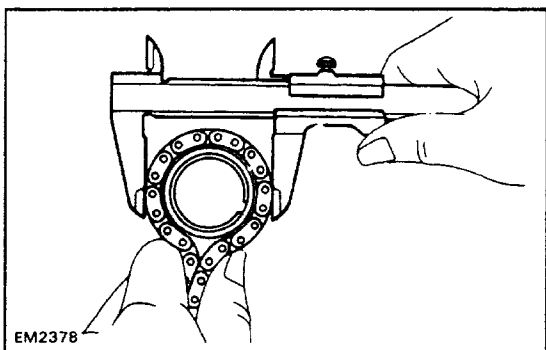
1. MEASURE CHAIN AND SPROCKET WEAR

(a) Measure the length of 17 links with the chain fully stretched.

(b) Make the same measurements at least three other places selected at random.

Chain elongation limit at 17 links: 147.0 mm (5.787 in.)

If over the limit at any one place the chain.



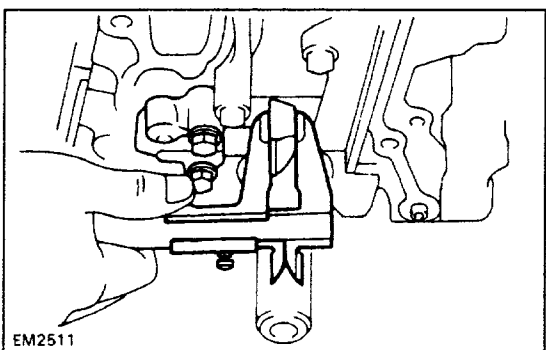
(c) Wrap the chain around the sprocket.

(d) Using a caliper gauge, measure the outer sides of the chain rollers as shown. Measure both sprockets.

Crankshaft sprocket minimum: 59.4 mm (2.339 in.)

Camshaft sprocket minimum: 113.8 mm (4.480 in.)

If the measurement is less than minimum, replace the chain and two sprockets.

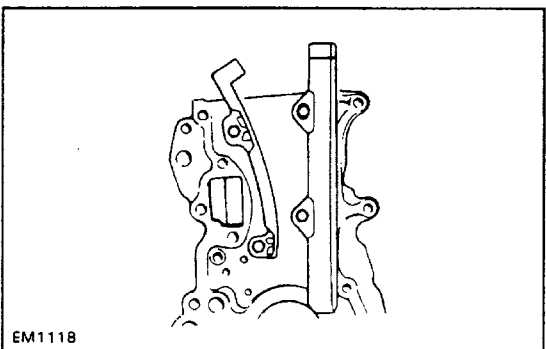


2. MEASURE CHAIN TENSIONER

Using a caliper gauge, measure the tensioner as shown.

Tensioner minimum: 11.0 mm (0.433 in.)

If the tensioner is worn or less than minimum, replace the chain tensioner.

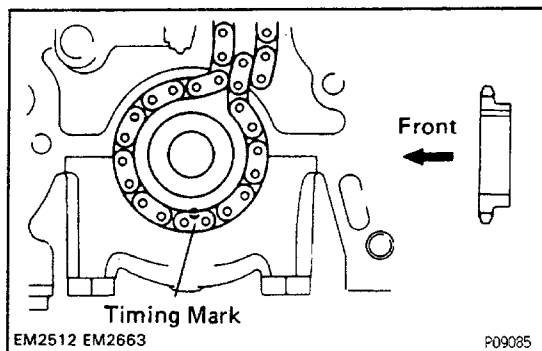


3. MEASURE CHAIN DAMPERS

Using a micrometer, measure each damper.

Damper wear limit: 0.5 mm (0.020 in.)

If either damper is worn or less than minimum, replace the damper.

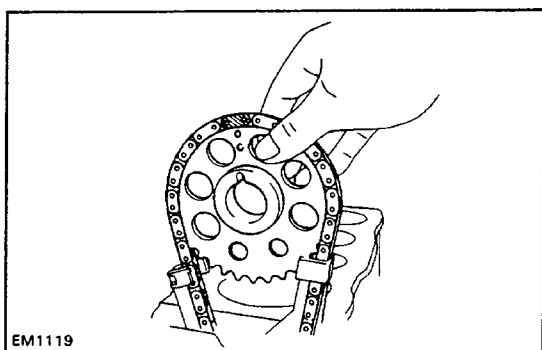


TIMING CHAIN INSTALLATION

(See page [EG1-39](#))

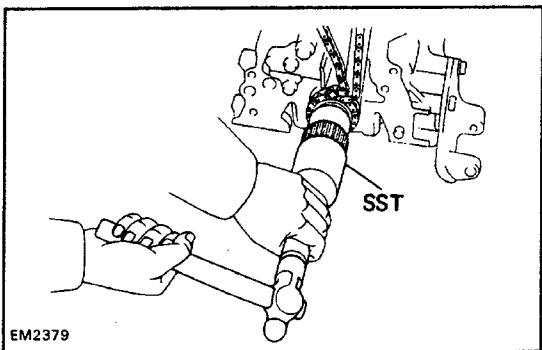
1. INSTALL CRANKSHAFT SPROCKET AND CHAIN

- Turn the crankshaft until the shaft key is on top.
- Slide the sprocket over the key on the crankshaft.
- Place the timing chain on the sprocket with the single bright chain link aligned with the timing mark on the sprocket.



2. PLACE CHAIN ON CAMSHAFT SPROCKET

- Place the timing chain on the sprocket so that the bright chain link is aligned with the timing mark on the sprocket.
- Make sure the chain is positioned between the dampers.
- Turn the camshaft sprocket counterclockwise to take the slack out of the chain.

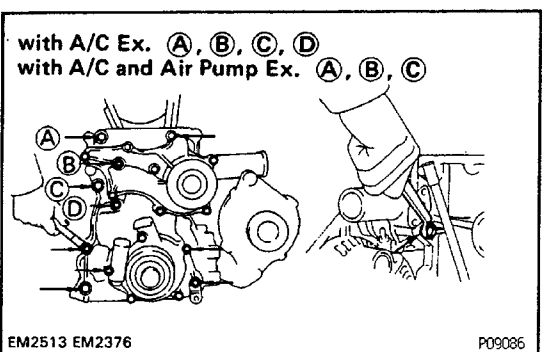


3. INSTALL OIL PUMP DRIVE SPLINE

Slide the oil pump drive spline over the crankshaft key.

HINT: If the oil pump drive spline is difficult to install by hand, install using SST.

SST 09608-35014 (09608-06040)

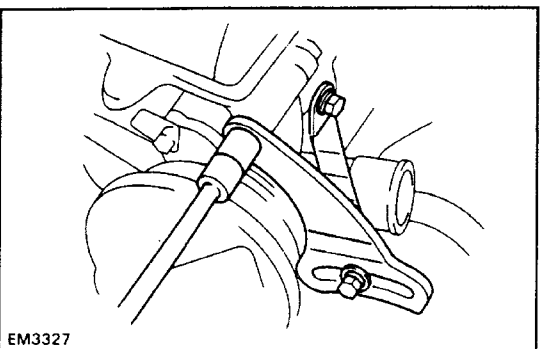


4. INSTALL TIMING CHAIN COVER ASSEMBLY

- Remove the old cover gaskets. Clean the gasket surface. Install new gaskets over the dowels.
- Slide the cover assembly over the dowels and pump spline.
- Insert the bolts as shown and torque them.

Torque: 8 mm bolt 13 N-m(130kgf-cm, 9ft-lbf)

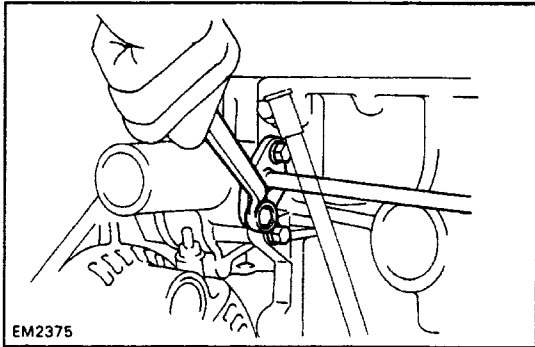
10 mm bolt 13 N-m(400kgf-cm, 29ft-lbf)



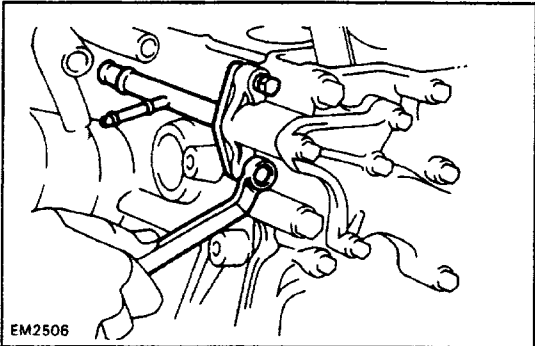
5. INSTALL FAN BELT ADJUSTING BAR

- Temporarily install the adjusting bar to the alternator.
- Install the adjusting bar to the chain cover and cylinder head.

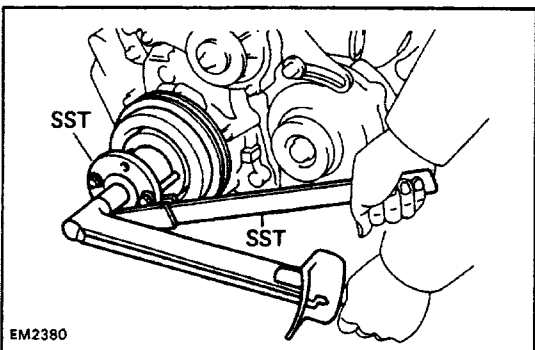
Torque: 13N-m(130kgf-cm, 9ft-lbf)

**6. INSTALL HEATER WATER OUTLET PIPE**

Connect the heater water outlet pipe to the timing chain cover with the two bolts.

**7. INSTALL NO.1 WATER BY-PASS PIPE**

Install the pipe with the two bolts.

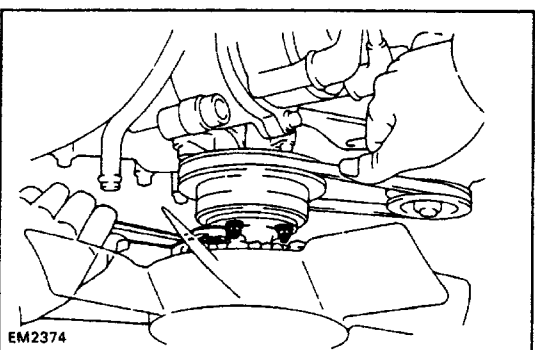
**8. INSTALL CRANKSHAFT PULLEY**

- (a) Install the crankshaft pulley and bolt.
- (b) Using SST to hole the crankshaft pulley, torque the bolt.

SST 09213-70010 and 09660-00021

Torque: 157N-m(1,600kgf-cm, 116ft-lbf)

- (c) (with A/C) Install the NO.2 crankshaft pulley.

**9. INSTALL WATER PUMP PULLEY AND FLUID COUPLING WITH FAN**

- (a) Temporarily install the water pump pulley and fluid coupling with fan with the four nuts.
- (b) Place the drive belt onto each pulley.
- (c) Stretch the belt tight and tighten the four nuts.

10. ADJUST DRIVE BELT TENSION

(See page [MA-6](#))

11. (with A/C) INSTALL A/C COMPRESSOR BRACKET, COMPRESSOR AND BELT

(See page [MA-6](#))

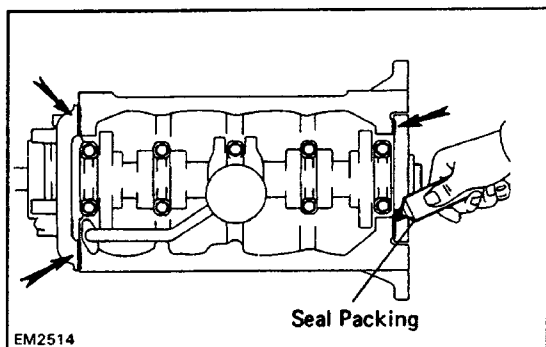
12. (w/PS) INSTALL PS BELT

(See page [MA-6](#))

13. INSTALL OIL PAN

- (a) Remove any old packing material and be careful not to drop any oil on the contacting surfaces of the oil pan and cylinder block.

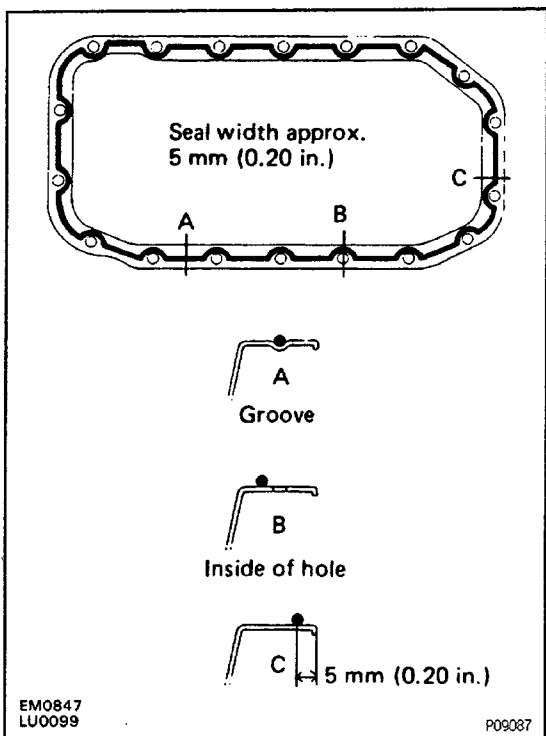
- Using a razor blade and gasket scraper, remove all the packing (FIPG) material from the gasket surfaces.
- Thoroughly clean all components to remove all the loose material.
- Clean both sealing surfaces with a non-residue solvent.



NOTICE: Do not use a solvent which will affect the painted surfaces.

(b) Apply seal packing to the joint part of the cylinder block and chain cover, cylinder block and rear oil seal retainer.

Seal packing: Part No.08826-00080 or equivalent



(c) Apply seal packing to the oil pan as shown in the illustration.

Seal packing: Part No.08826-00080 or equivalent

Install a nozzle that has been cut to a 5-mm (0.20 in.) opening.

HINT: Avoid applying an excess amount to the surface. Be especially careful near oil passages.

- If parts are not assembled within 5 minutes of applying the seal packing, the effectiveness of the seal packing is lost and the seal packing must be removed and reapplied.
- Immediately remove the nozzle from the tubs and reinstall the cap after using the seal packing.

(d) Install the oil pan over the studs on the block with the sixteen bolts and two nuts. Torque the bolts and nuts.

Torque: 13N-m(130kgf-cm, 9ft-lbf)

(e) Lower the engine and install the engine mounting bolts.

(f) Install the engine under cover.

POST INSTALLATION

1. INSTALL RADIATOR

2. INSTALL CYLINDER HEAD

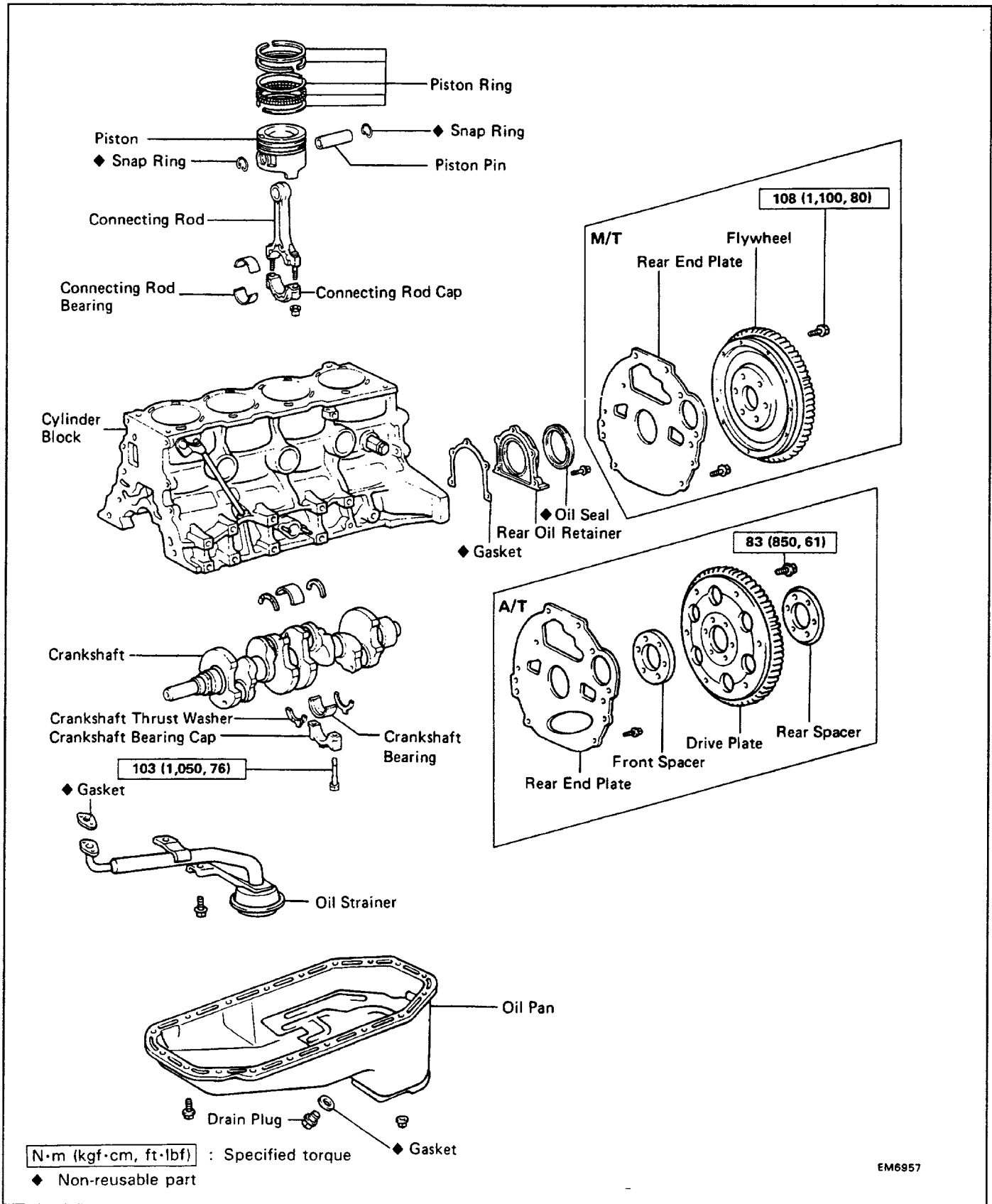
(See page [EG1-34](#))

3. (4WD) INSTALL FRONT DIFFERENTIAL

(See SA section)

CYLINDER BLOCK COMPONENTS

EG1W0-01



ENGINE REMOVAL

1. REMOVE HOOD

2. REMOVE BATTERY

3. REMOVE ENGINE UNDER COVER

4. DRAIN COOLANT FROM RADIATOR AND CYLINDER BLOCK

(See step 3 on page [EG1-225](#))

5. DRAIN ENGINE OIL

(See step 1 on page [EG1-236](#))

6. REMOVE AIR CLEANER CASE AND INTAKE AIR CONNECTOR

7. REMOVE RADIATOR

(See page [EG1-230](#))

8. REMOVE PS PUMP BELT

(a) Stretch the belt tight and loosen the PS pump pulley lock nut.

(b) Remove the PS belt.

9. (with A/C)

REMOVE A/C BELT

10. REMOVE GENERATOR DRIVE BELT, FLUID COUPLING AND FAN PULLEY

(See step 3 on page [EG1-40](#))

11. DISCONNECT FOLLOWING WIRES AND CONNECTORS:

(a) Ground strap from LH fender apron

(b) Generator connector and wire

(c) Igniter connector

(d) Generator wires

(e) High-tension cord for ignition coil

(f) Distributor wire from igniter

(g) Ground strap from engine rear side

(h) ECM connectors

(i) (M/T)

Starter relay connector

(j) Check connector

(k) (with A/C)

A/C compressor connector

12. DISCONNECT FOLLOWING HOSES:

(a) PS air hoses from gas filter and air pipe

(b) Brake booster hose

(c) (w/Cruise control)

Cruise control vacuum hose

(d) Charcoal canister hose from canister

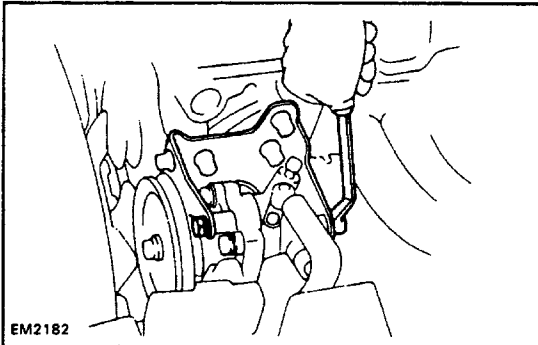
13. DISCONNECT FOLLOWING CABLE:

(a) Accelerator cable

(b) (A/T)

Throttle cable

- (c) (w/Cruise control)
Cruise control cable



14. (w/PS)

REMOVE PS PUMP FROM BRACKET

- (a) Remove the drive belt.
(b) Remove the four bolts.
(c) Remove the PS pump.

HINT: Lay the PS pump to one side without disconnecting the hoses.

15. DISCONNECT GROUND STRAP FROM PS PUMP BRACKET

16. (with A/C)

REMOVE COMPRESSOR FROM BRACKET

- (a) Loosen the drive belt adjusting bolt and remove the drive belt.
(6) Remove the compressor on the front side without disconnecting the hoses.

17. DISCONNECT GROUND STRAPS FROM ENGINE REAR SIDE AND RH SIDE

18. (M/T)

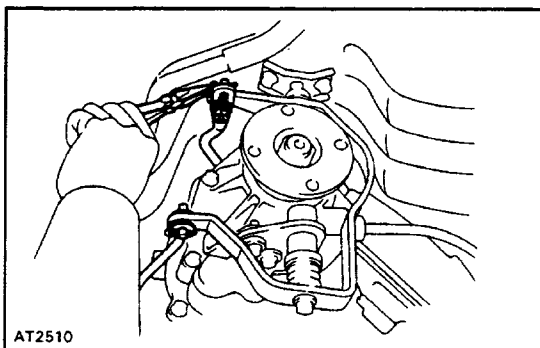
REMOVE SHIFT LEVER(S) FROM INSIDE OF VEHICLE

19. REMOVE REAR PROPELLER SHAFT

(See PR section)

20. (2WD A/T)

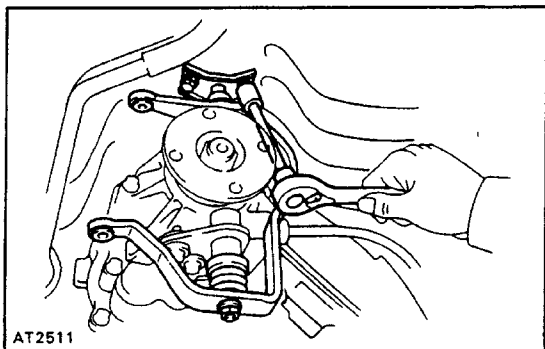
DISCONNECT MANUAL SHIFT LINKAGE FROM PNP SWITCH



21. (4WD A/T)

DISCONNECT TRANSFER SHIFT LINKAGE

- (a) Disconnect the No.1 and No.2 transfer shift linkages from the cross shaft.



(b) Remove the cross shaft from the body.

22. DISCONNECT SPEEDOMETER CABLE

NOTICE: Do not lose the felt dust protector and washers.

23. (4WD)

REMOVE TRANSFER UNDER COVER

24. (4WD)

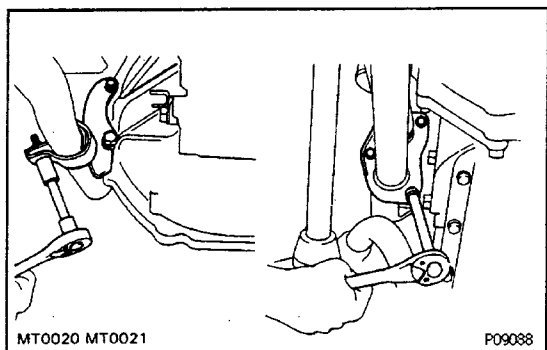
REMOVE STABILIZER BAR

25. (4WD)

REMOVE FRONT PROPELLER SHAFT

(See PR section)

26. REMOVE NO.1 FRAME CROSSMEMBER



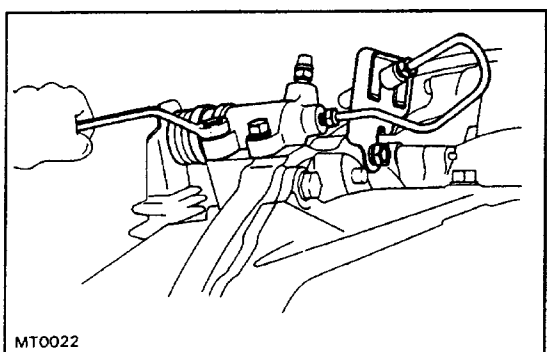
27. REMOVE FRONT EXHAUST PIPE

(a) Disconnect the oxygen sensor connector.

(b) Disconnect the exhaust pipe from the exhaust manifold.

(c) Remove the exhaust pipe clamp from the clutch housing.

(d) Remove the exhaust pipe from the catalytic converter.

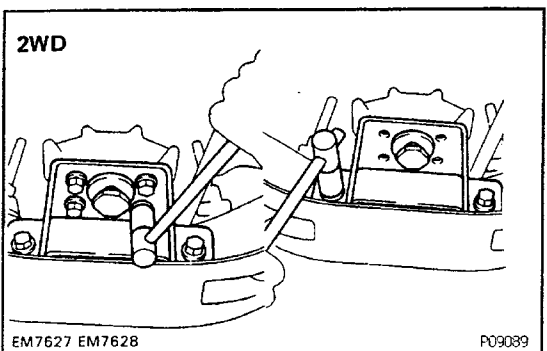


28. (M/T)

REMOVE CLUTCH RELEASE CYLINDER WITH BRACKET FROM TRANSMISSION

29. (4WD)

REMOVE NO.1 FRONT FLOOR HEAT INSULATOR AND BRAKE TUBE HEAT INSULATOR



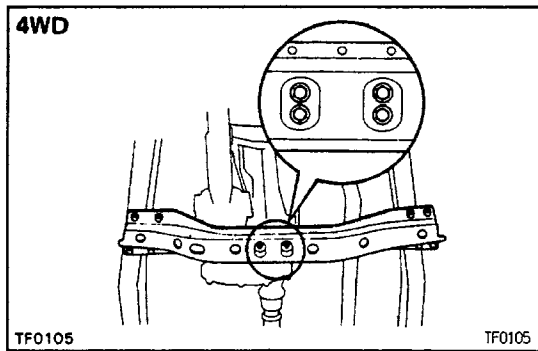
30. (2WD)

REMOVE ENGINE REAR MOUNTING AND BRACKET

(a) Remove the four bolts from the engine rear mounting.

(b) Raise the transmission slightly by raising the engine with a jack.

(c) Remove the four bolts from the support member.

**31. (4WD)****REMOVE NO.2 FRAME CROSSMEMBER FROM SIDE FRAME**

- (a) Remove the four bolts from the engine rear mounting.
- (b) Raise the transmission slightly with a jack.
- (c) Remove the four bolts from the side frame and remove the No.2 frame crossmember.

**32. REMOVE ENGINE WITH TRANSMISSION FOR VE-
HICLE**

- (a) Attach the engine hoist chain to the lift brackets of the engine.
- (b) Remove the mounting nuts and bolts.
- (c) Lift engine out of the vehicle slowly and carefully.

HINT: Make sure the engine is clear of all wiring and hoses.

33. REMOVE TRANSMISSION FROM ENGINE

- (a) (A/T)
Remove the A/T oil cooler pipes.
- (b) Remove the starter.
- (c) Remove the two stiffener plates and exhaust pipe bracket from engine.
- (d) Remove the transmission from the engine.

34. (M/T)**REMOVE CLUTCH COVER AND DISC**

EG1V9-02

CYLINDER BLOCK DISASSEMBLY

(See page [EG1-46](#))

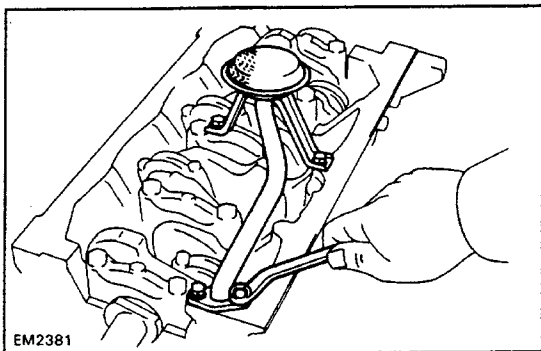
1. REMOVE FLYWHEEL OR DRIVE PLATE
2. REMOVE REAR END PLATE
3. INSTALL ENGINE STAND FOR DISASSEMBLY
4. REMOVE CYLINDER HEAD

(See page [EG1-18](#))

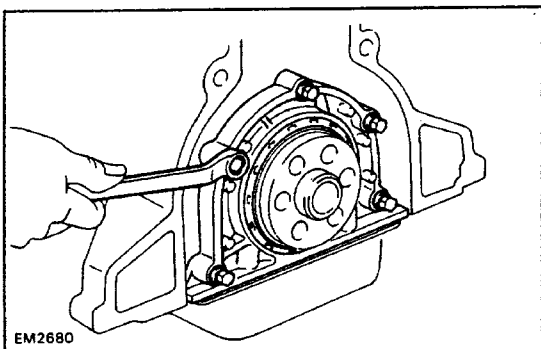
5. REMOVE TIMING CHAIN (See page [EG1-40](#))
6. REMOVE GENERATOR (See CH section)
7. REMOVE LH ENGINE MOUNTING BRACKET AND GENERATOR BRACKET
8. REMOVE CHAIN DAMPERS
9. REMOVE CHAIN TENSIONER
10. REMOVE OIL FILTER

(See step 2 on page [EG1-236](#))

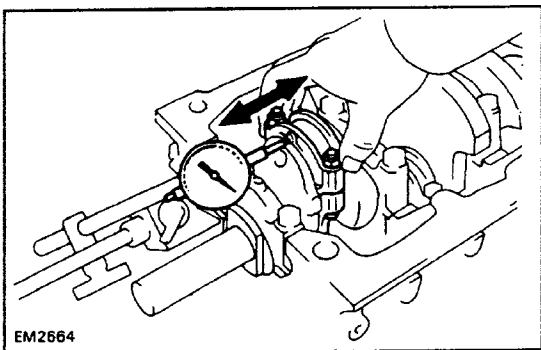
11. REMOVE RH ENGINE MOUNTING BRACKET, CHAMBER STAY AND GROUND STRAP
12. (A/T)
REMOVE FLEXIBLE HOSE CLAMP
13. REMOVE OIL PRESSURE SENDER GAUGE OR SWITCH
14. REMOVE KNOCK CONTROL SENSOR
15. REMOVE FUEL-FILTER AND BRACKET

**16. REMOVE OIL STRAINER**

Remove the four bolts, strainer and gasket.

**17. REMOVE REAR OIL SEAL RETAINER**

Remove the five bolts, rear oil seal retainer and gasket.

**18. MEASURE CONNECTING ROD THRUST CLEARANCE**

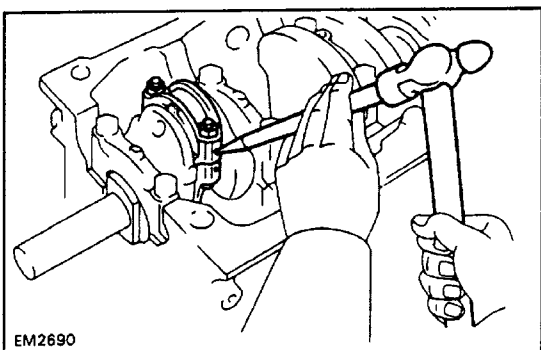
Using a dial gauge, measure the thrust clearance.

Standard clearance: 0.16 – 0.26 mm

(0.063 – 0.0102 in.)

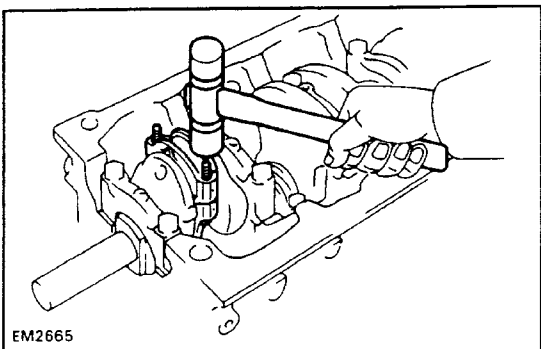
Maximum clearance: 0.3 mm(0.012 in.)

If clearance is greater than maximum, replace the connecting rod and/or crankshaft.

**19. MEASURE CONNECTING ROD OIL CLEARANCE**

(a) Using a punch or numbering stamp, mark connecting rods and caps to ensure correct reassembly.

(b) Remove the rod cap nuts.



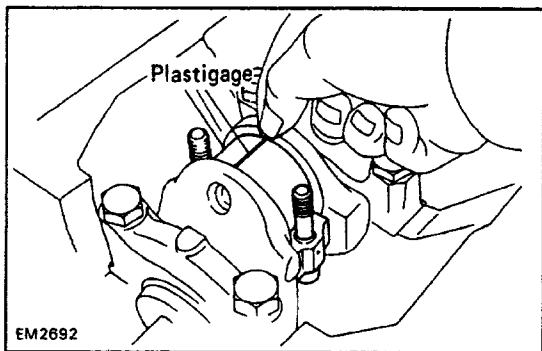
(c) Using a plastic-faced hammer, tap the rod bolts lightly and lift off the rod cap.

HINT: Keep the bearing inserted in the cap.

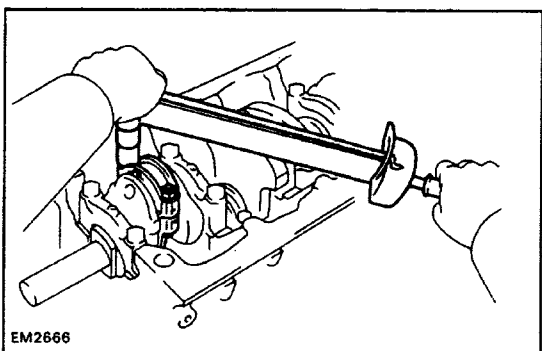
(d) Clean the bearing and crankshaft pins.

(e) Inspect each bearing for pitting and radial scratches.

If bearing are damaged, replace the bearings.



(f) Lay a strip of Plastigage across the crankshaft pin.

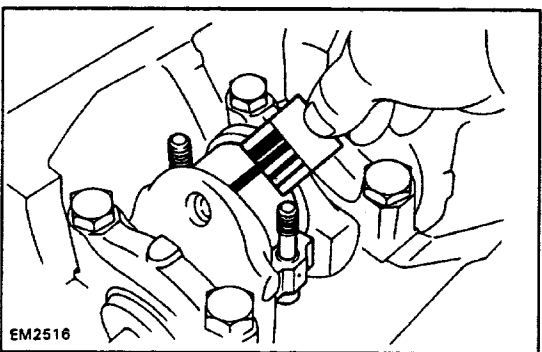


(g) Align the rod and cap marks and fit on the cap. Install and torque the cap nuts.

Torque: 69 N-m(700 kgf-cm, 51 ft-lbf)

HINT:

- Do not turn the crankshaft.
- Apply a light coat of engine oil on the nut threads and under the nut before installation.



(h) Remove the rod cap.

(i) Measure the Plastigage at its widest point.

Standard clearance: 0.025 – 0.055 mm

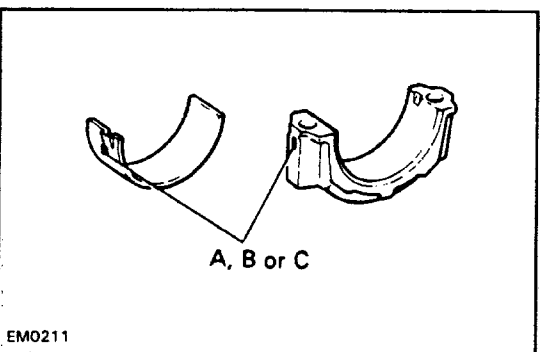
(0.0010 – 0.8022 in.)

Maximum clearance: 0.10 mm (0.0039 in.)

If the clearance is greater than maximum, replace the bearings and/or grind the crank pins.

Undersized bearing: U/S 0.25

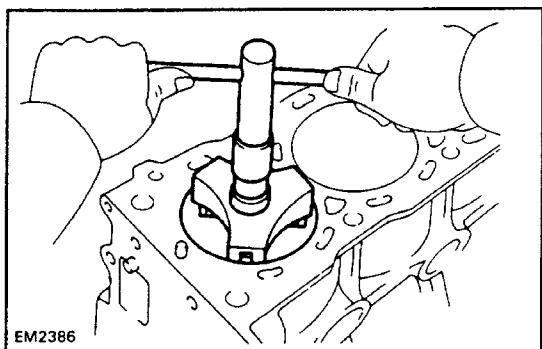
Clean any Plastigage from bearing and crankshaft pin.



HINT: If replacing a standard size bearing, replace with one having the same letter as marked on the bearing cap. There are three sizes of standard bearings supplied, marked A, B or C respectively.

mm (in.)

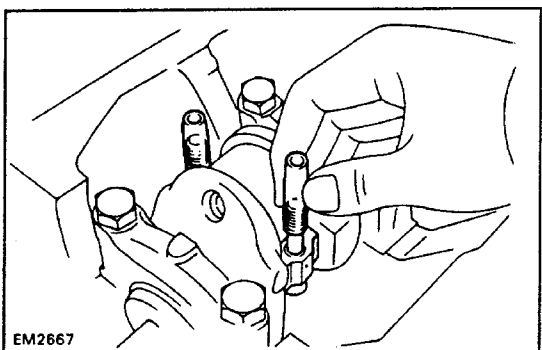
Size	Big End Inner Diameter	Crank Pin Diameter	Bearing Center Wall Thickness
A	56.000 – 56.006 (2.2047 – 2.2050)		1.484 – 1.488 (0.0584 – 0.0586)
B	56.006 – 56.012 (2.2050 – 2.2052)	52.988 – 53.000 (2.0861 – 2.0866)	1.488 – 1.492 (0.0586 – 0.0587)
C	56.012 – 56.018 (2.2052 – 2.2054)		1.492 – 1.496 (0.0587 – 0.0589)
U/S 0.25	56.000 – 56.018 (2.2047 – 2.2054)	52.701 – 52.711 (2.0748 – 2.0752)	1.626 – 1.636 (0.0640 – 0.0644)



EM2386

20. PUSH OUT PISTON AND CONNECTING ROD ASSEMBLY

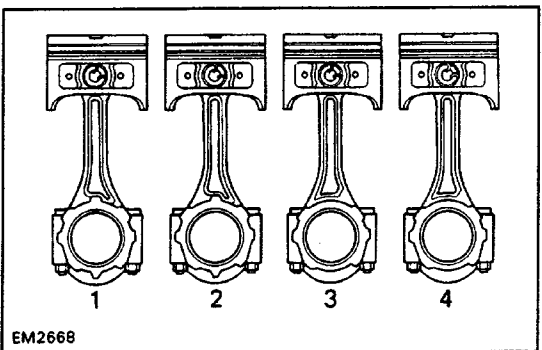
(a) Remove all the carbon from top of the bore to the top of the cylinder.



EM2667

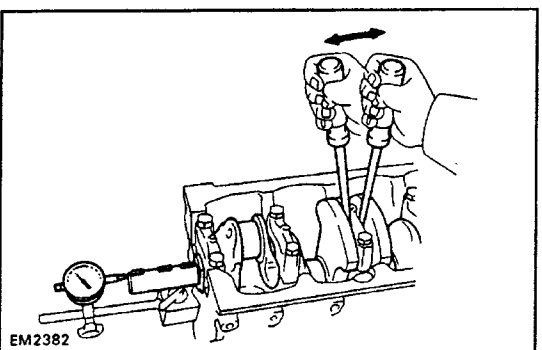
(b) Cover the rod bolts with a short piece of hose to protect the crank pin from damage.

(c) Push the piston and connecting rod assembly out through the top of the cylinder block.



EM2668

(d) Arrange the piston and connecting rod caps in order.



EM2382

21. MEASURE CRANKSHAFT THRUST CLEARANCE

Using a dial gauge, measure the crankshaft thrust clearance while prying the crankshaft back and forth with a screwdriver.

**Standard clearance: 0.02 – 0.22 mm
(0.0008 – 0.0087 in.)**

Maximum clearance: 0.3 mm (0.012 in.)

If the clearance is greater than maximum, replace the thrust washers as a set and/or crankshaft.

Thrust washer thickness:

Standard

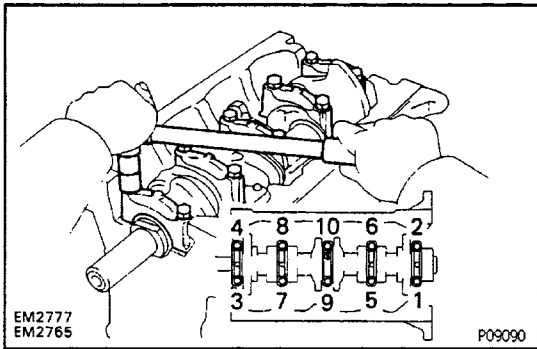
2.690 – 2.740 mm (0.1059 – 0.1079 in.)

0/S 1.25

2.753 – 2.803 mm (0.1084 – 0.1104 in.)

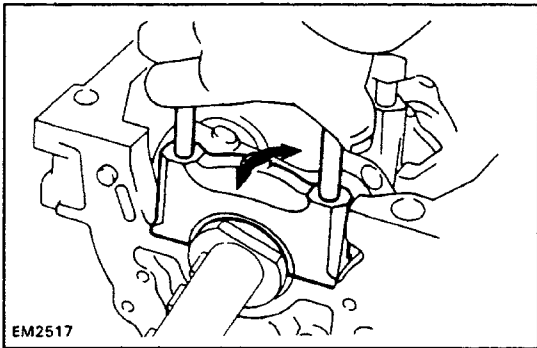
4/S 2.50

2.815 – 2.865 mm (0.1108 – 0.1128 in.)



22. MEASURE CRANKSHAFT OIL CLEARANCE

(a) Gradually loosen and remove the bearing cap bolts in three passes and in numerical order shown.



(b) Using the removed bearing cap bolts, pry the bearing cap fore and aft, and remove it with the lower bearing and thrust washers (No.3 journal only).

HINT:

- Keep the lower bearing inserted in the cap.
- Arrange the caps and lower thrust washers in correct order.

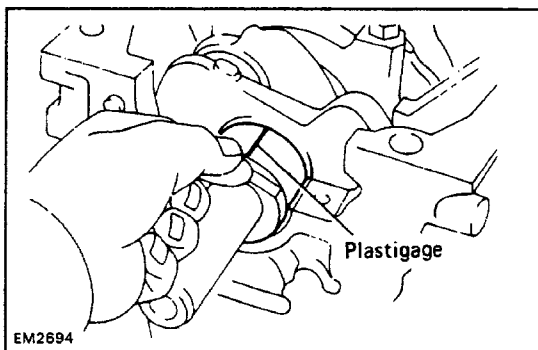
(c) Lift off the crankshaft.

HINT: Keep the upper bearings and upper thrust washers (for the No.3 journal only) inserted in the cylinder block.

(d) Clean the journals and bearings.

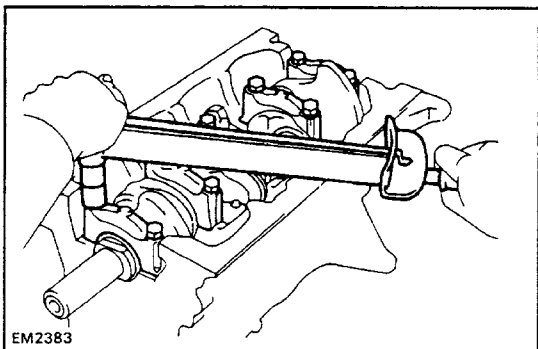
(e) Check the journals and bearings for pitting and scratches.

If the journal or bearing is damaged, grind or replace the crankshaft and replace the bearing.



(f) Install the upper main bearings on the cylinder block and crankshaft.

(g) Lay a strip of Plastigage across the main journals.



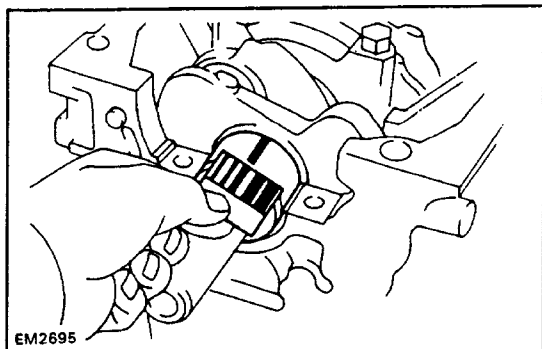
(h) Install the main bearing caps with the front mark facing forward. Install and torque the cap bolts.

Torque: 103 N-m (1,050 kgf-cm, 76 ft-lbf)

HINT:

Do not turn the crankshaft.

Apply a light coat of engine oil on the bolt threads before installation.



- (i) Remove the main bearing caps.
- (j) Measure the Plastigage at its widest point.

**Standard clearance: 0.025 – 0.055 mm
(0.0010 – 0.0022 in.)**

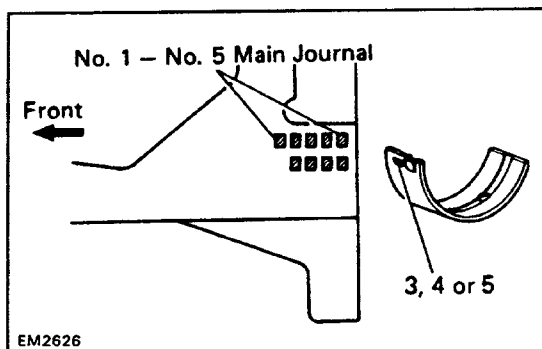
Maximum clearance: 0.08 mm (0.0031 in.)

If the clearance is greater than maximum, replace the bearings and/or grind the main journals.

Undersized bearing: U/S 0.25

- (k) Clean out the pieces of Plastigage from the bearings and journals.

HINT: If using a standard bearing, replace with one having the same number as marked on the cylinder block. There are three sizes of standard bearings, marked 3, 4, 5 accordingly.



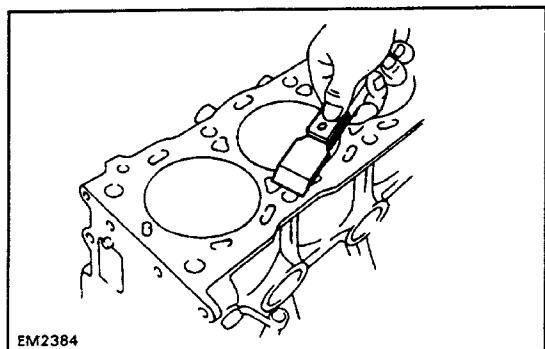
mm (in.)

Size	Cylinder Block Main Journal Bore	Main Journal Diameter	Bearing Center Wall Thickness
3	64.004 – 64.010 (2.5198 – 2.5201)	59.984 – 60.000 (2.3616 – 2.3622)	1.988 – 1.992 (0.0783 – 0.0784)
4	64.010 – 64.016 (2.5201 – 2.5203)		1.992 – 1.996 (0.0784 – 0.0786)
5	64.016 – 64.022 (2.5203 – 2.5205)		1.996 – 2.000 (0.0786 – 0.0787)
U/S Q.25	64.004 – 64.022 (2.5198 – 2.5205)	59.701 – 59.711 (2.3504 – 2.3508)	2.126 – 2.136 (0.0837 – 0.0841)

V01859

23. REMOVE CRANKSHAFT ,

- (a) Lift out the crankshaft.
- (b) Remove the upper main bearings from the cylinder block.
- (c) Arrange the caps and bearings in order.



CYLINDER BLOCK INSPECTION

1. REMOVE GASKET MATERIAL

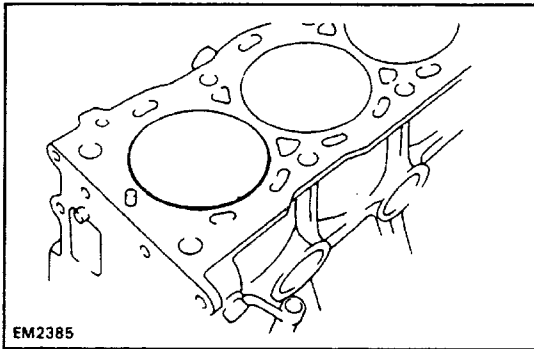
Using a gasket scraper, remove all gasket material from cylinder block surfaces.

2. CLEAN CYLINDER BLOCK

Using a soft brush and solvent, clean the block.

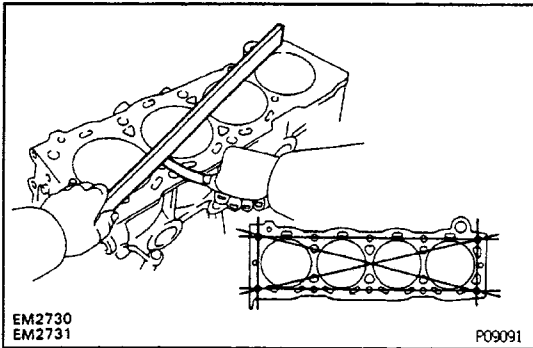
EG1VT-01

EM2384



3. INSPECT CYLINDERS

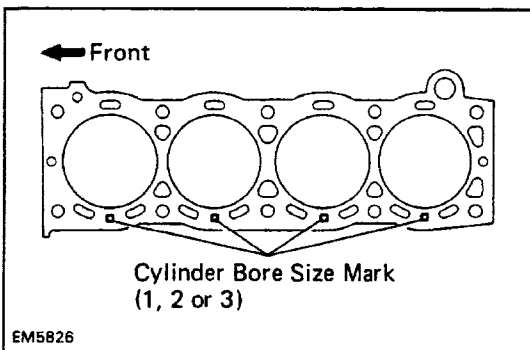
Visually inspect cylinders for vertical scratches.
If deep scratches are present, rebore all four cylinders.
(See page [EG1-66](#))



4. INSPECT CYLINDER BLOCK WARPAGE

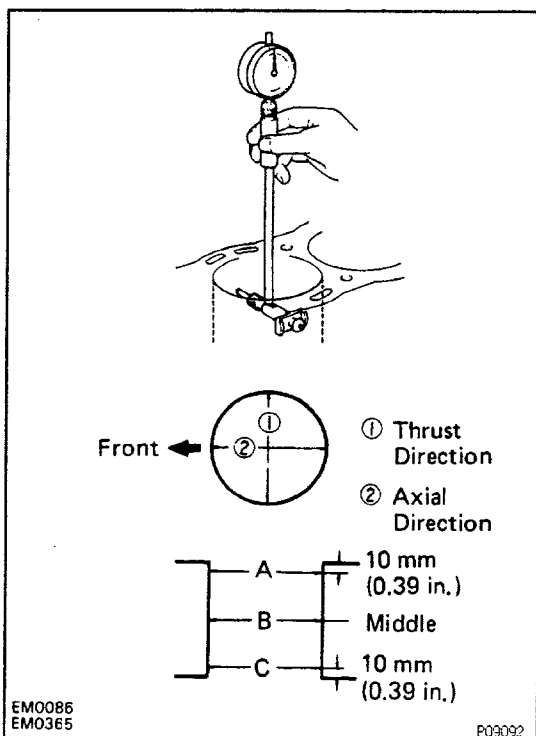
Warpage limit: 0.5 mm (0.0020 in.)

If warpage is greater than specified value, replace the cylinder block.



5. MEASURE CYLINDER BORE

HINT: There are three sizes of the standard cylinder bore diameter, marked "1", "2", and "3", accordingly. The mark is stamped on the cylinder block.



Using a cylinder gauge, measure the cylinder bore diameter at positions A, B and C in the thrust and axial directions.

Standard diameter:

STD Mark '1'

92.00 – 92.01 mm

(3.6220 – 3.6224 in.)

Mark '2'

92.01 – 92.02 mm

(3.6224 – 3.6228 in.)

Mark '3'

92.02 – 92.03 mm

(3.6228 – 3.6232 in.)

O/S 0.50

92.50 – 92.53 mm

(3.6417 – 3.6429 in.)

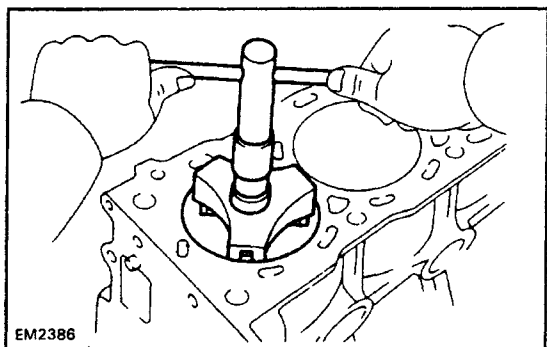
1.00

93.00 – 93.03 mm

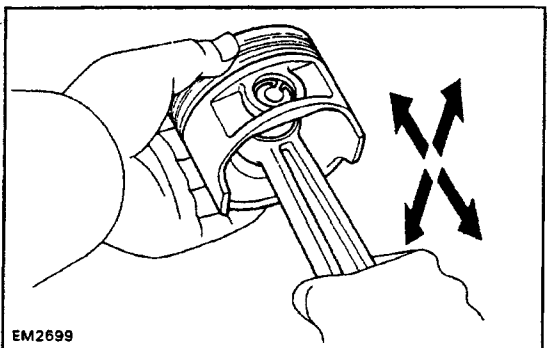
(3.6614 – 3.6626 in.)

Maximum diameter:**STD 92.23 mm (3.6311 in.)****0/S 0.50 92.73 mm (3.6508 in.)****0/S 1.00 93.23 mm (3.6705 in.)**

If the diameter is greater than maximum, rebore all four cylinders, or replace the cylinder block.

**6.REMOVE CYLINDER RIDGE**

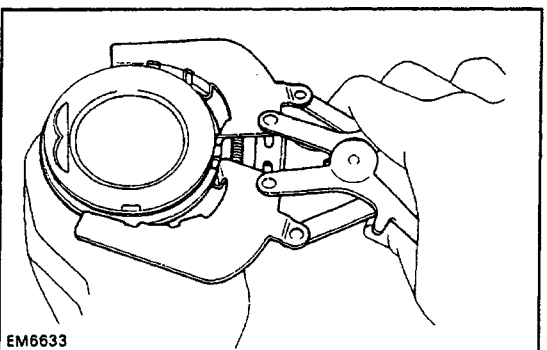
If wear is less than 0.2 mm (0.008 in.), use a ridge reamer to machine the top of the cylinder.

**DISASSEMBLY OF PISTON AND CONNECTING ROD ASSEMBLY**

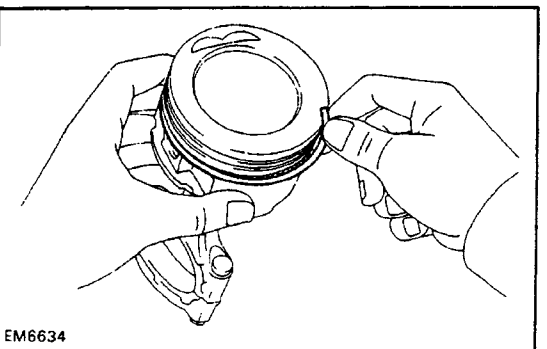
EQ1VU-01

1. CHECK FIT BETWEEN PISTON AND PIN

Try to move the piston back and forth on the piston pin. If any movement is felt, replace the piston and pin.

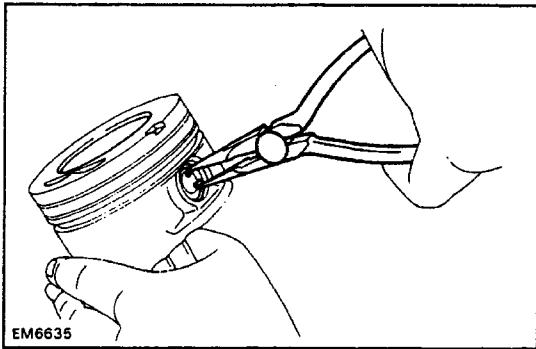
**2. REMOVE PISTON RINGS**

(a) Using a piston ring expander, remove the compression rings.



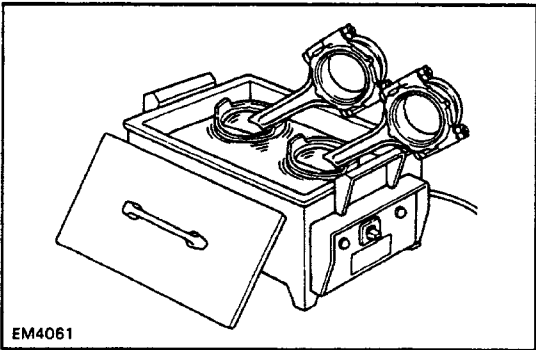
(b) Remove the two side rails and oil ring expander by hand.

HINT: Keep the rings for each cylinder separated.

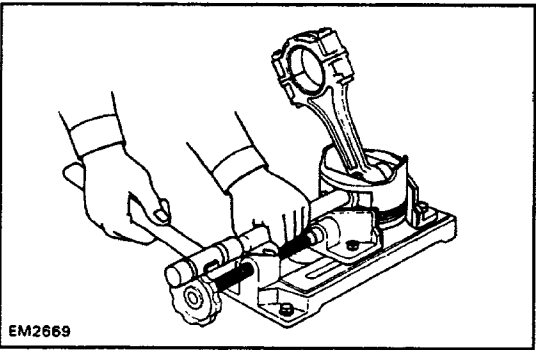


3. DISCONNECT CONNECTING ROD FROM PISTON

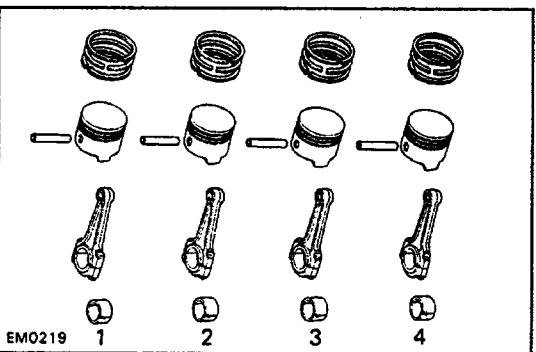
(a) Using needle – nose pliers, remove the snap rings from the piston.



(b) Heat the piston in hot water approx. 60°C(140°F).

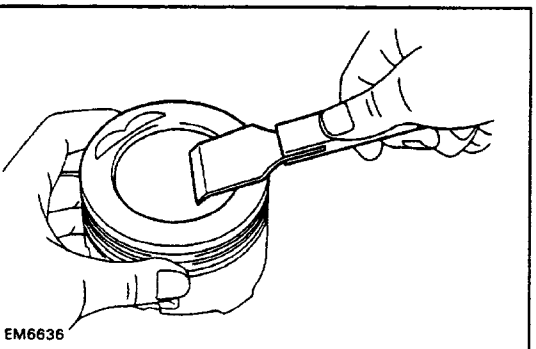


(c) Using a plastic-faced hammer and brass bar, lightly tap out the piston pin from the piston.



HINT:

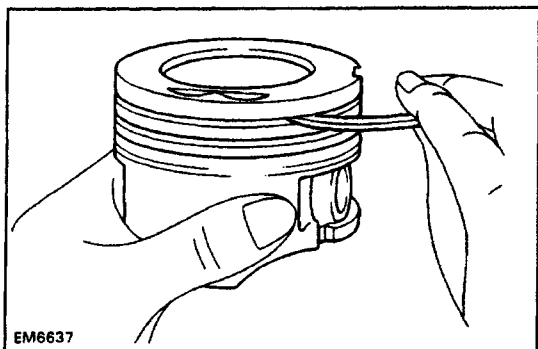
- The piston and pin are a matched set.
- Keep the piston, pin, rings and connecting rod together for each cylinder.



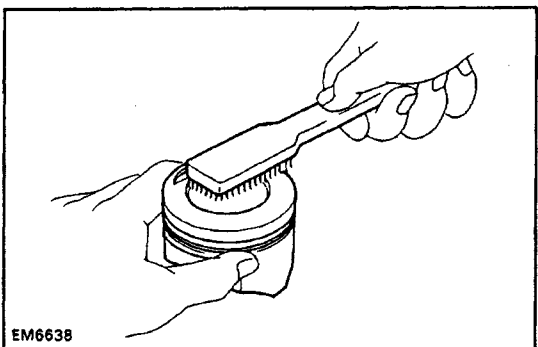
INSPECTION OF PISTON AND CONNECTING ROD

1. CLEAN PISTON

(a) Using a gasket scraper, remove the carbon from the piston top.

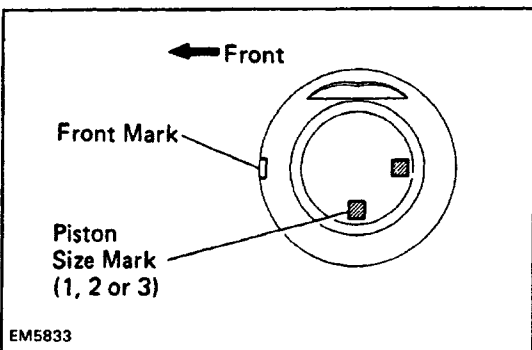


(b) Using a groove cleaning tool or broken ring, clean the ring grooves.



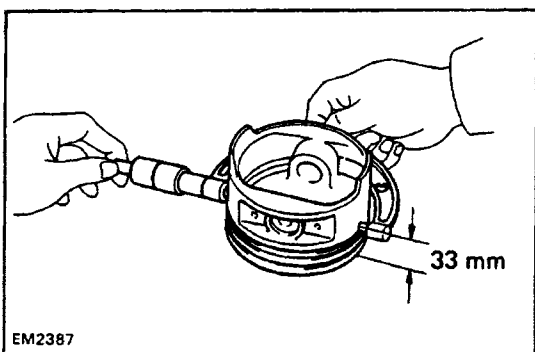
(c) Using solvent and a brush, thoroughly clean the piston.

NOTICE: Do not use a wire brush.



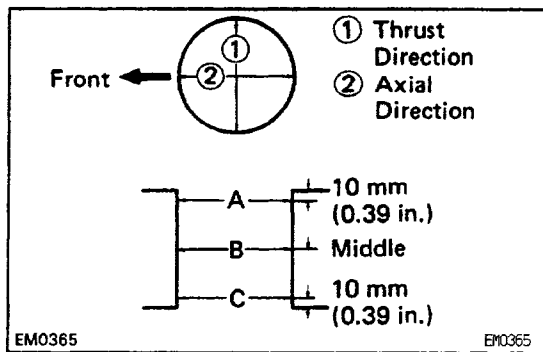
2. INSPECT PISTON DIAMETER AND OIL CLEARANCE

HINT: There are three sizes of the standard piston diameter, marked "1", "2", and "3", accordingly. The mark is stamped on the top of the piston.



(a) Using a micrometer and with the piston upside down, measure the piston diameter at right angles to the piston pin hole center line, at the indicated distance from the piston head.

Distance: 33 mm (1.30 in.)

Piston diameter:**STD Mark "****91.975 – 91.985 mm
(3.6211 – 3.6214 in.)****Mark "2"****91.985 – 91.995 mm
(3.6214 – 3.6218 in.)****Mark "3"****91.995 – 92.005 mm
(3.6218 – 3.6222 in.)****O/S 0.50****92.475 – 92.505 mm
(3.6407 – 3.6419 in.)****1.00****92.975 – 93.005 mm
(3.6604 – 3.6616 in.)**

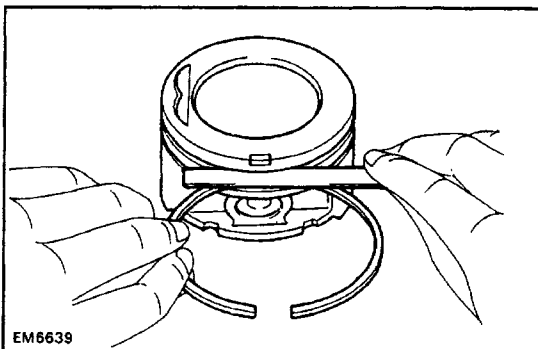
(b) Measure the cylinder bore diameter in thrust directions (See page [EG1-56](#)) and subtract the piston diameter measurement from the cylinder bore diameter measurement.

**Piston clearance: 0.015 – 0.035 mm
(0.0006 – 0.0014 in.)**

If not within specification, replace the pistons. If necessary, rebore or replace the cylinder block.

HINT: (Use cylinder block sub-assembly)

When installing a standard piston, install one with the same mark as the standard bore diameter mark on the cylinder block.



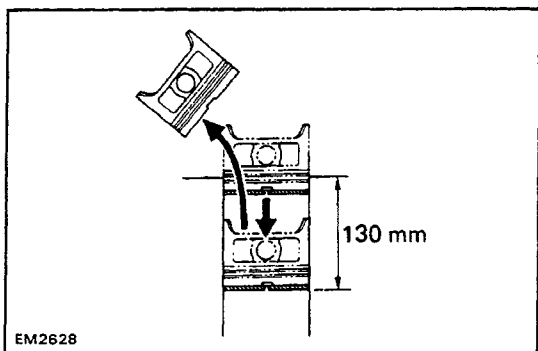
3. MEASURE CLEARANCE BETWEEN PISTON GROOVE AND PISTON RING

Using a thickness gauge, measure the clearance between the piston ring and the ring land.

**Standard ring groove clearance: 0.03 – 0.07 mm
(0.0012 – 0.0028 in.)**

Maximum ring groove clearance: 0.2 mm (0.008 in.)

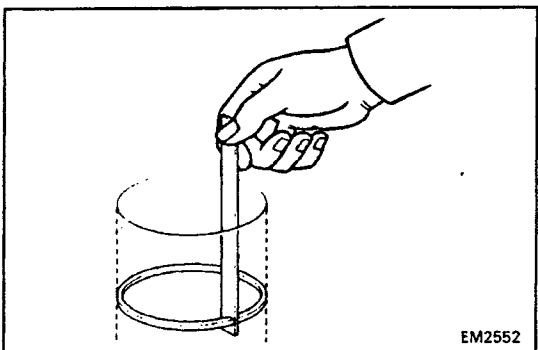
If the clearance is greater than maximum, replace the piston ring and/or piston.



EM2628

4. MEASURE RING END GAP

- (a) Insert the piston ring into the cylinder.
 (b) Using a piston, push the ring a little beyond the bottom of the ring travel.
 (130 mm (5.12 in.) from top surface of cylinder block)



EM2552

- (c) Using a thickness gauge, measure the end gap.

Ring end gap:

Standard No.1 0.25 – 0.47 mm

(0.0098 – 0.0185 in.)

No-2 0.60 – 0.82 mm

(0.0236 – 0.0323 in.)

Oil 0.20 – 0.57 mm

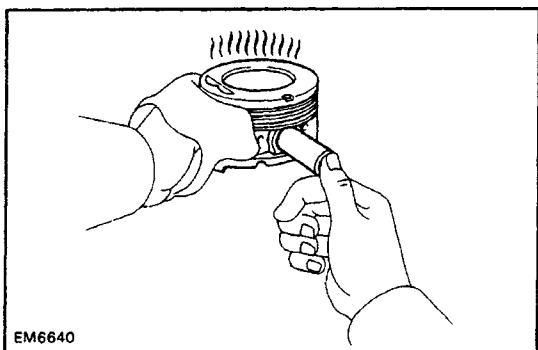
(0.0079 – 0.0224 in.)

Maximum No.1 1.07 mm (0.0421 in.)

No.2 1.42 mm (0.0559 in.)

Oil 1.17 mm (0.0461 in.)

If the gap is greater than maximum, replace the ring.
 Do not file the ring end.

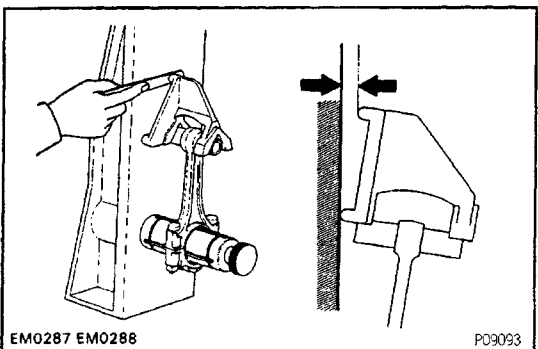


EM6640

5. INSPECT PISTON PIN FIT

At 80°C (176°F), you should be able to push the pin into the piston with your thumb.

If the pin can be installed at a lower temperature, replace it and the piston.



EM0287 EM0288

PD9093

6. INSPECT CONNECTING RODS

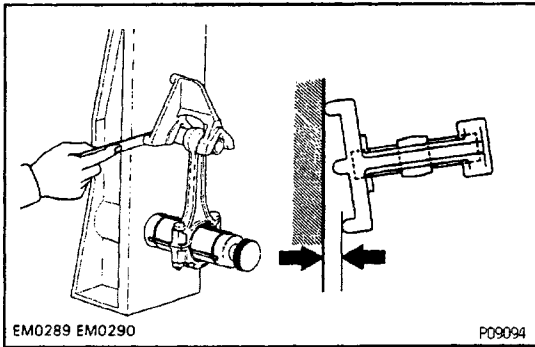
(a) Using a rod aligner, check the connecting rod alignment.

If the rod is bent or twisted, replace the connecting rod.

- Check that the rod is not bent.

Maximum bend:

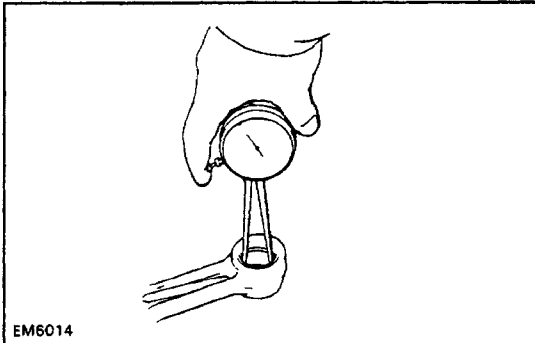
0.05 mm (0.0020 in.) per 100 mm (3.94 in.)



- Check that the rod is not twisted.

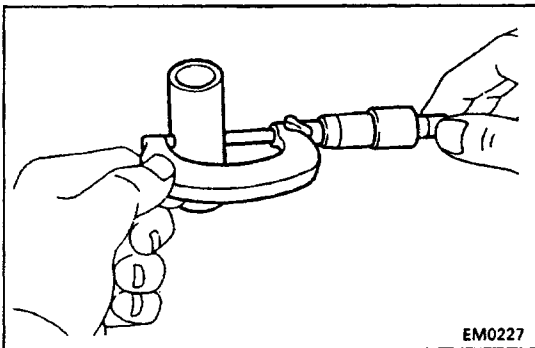
Maximum twist:

0.15 mm (0.0059 in.) per 100 mm (3.94 in.)



(b) Measure the oil clearance between the rod bushing and piston pin.

- Using an inside dial indicator, measure the inside diameter of the rod bushing.

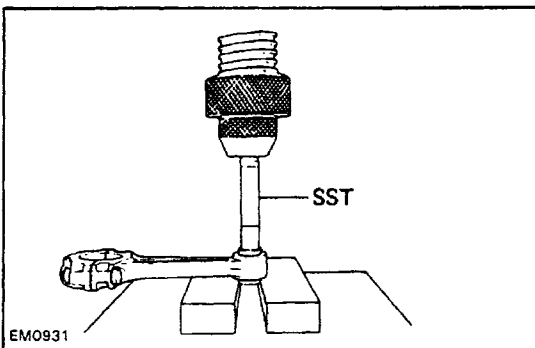


- Using a micrometer, measure the diameter of the piston pin.
- Check that the difference between the measurements is less than the oil clearance limit.

**Standard oil clearance: 0.005 – 0.011 mm
(0.0002 – 0.0004 in.)**

Maximum oil clearance: 0.015 mm (0.0006 in.)

If the clearance is greater than maximum, replace the rod bushing.

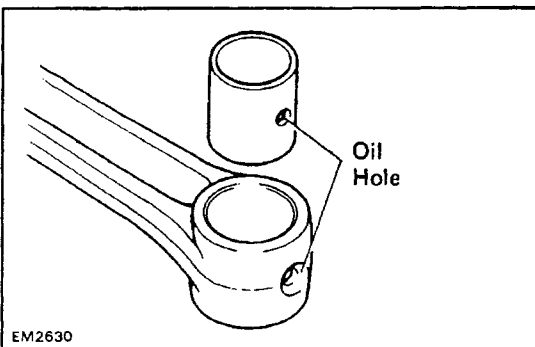


ROD BUSHING REPLACEMENT

1. REMOVE ROD BUSHING

Using SST, remove the rod bushing from the connecting rod.

SST 09222-30010

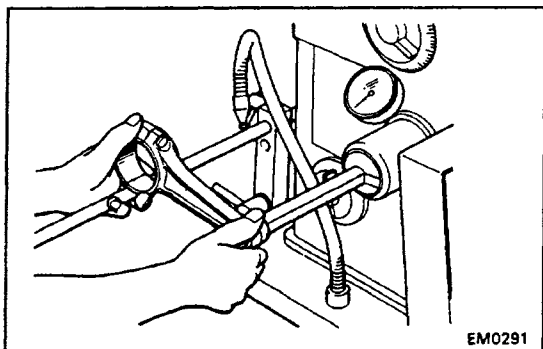


2. INSTALL NEW ROD BUSHING

Using SST, install the rod bushing to the connecting rod.

SST 09222 – 30010

HINT: Align the bushing oil hole with the connecting rod oil hole.



EM0291

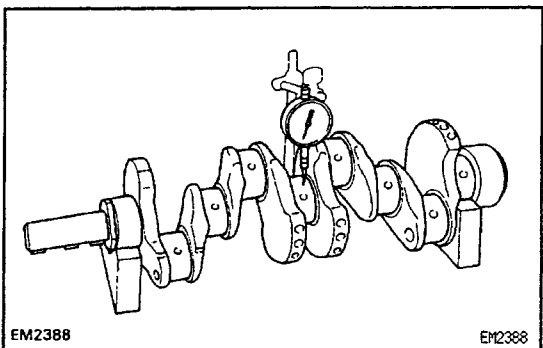
3. HONE NEW BUSHING AND CHECK PIN FIT IN CONNECTING ROD

(a)hone the new bushing and check that the oil clearance is within standard specification.

Standard oil clearance: 0.005 – 0.011 mm

(0.0002 – 0.0004 in.)

(b) Check the pin fit at the normal room temperature. Coat the pin with engine oil and push the pin into the rod with thumb pressure.



EM2388

EM2388

CRANKSHAFT INSPECTION AND REPAIR

1. MEASURE CRANKSHAFT FOR RUNOUT

(a) Place the crankshaft on V-blocks.

(b) Using a dial gauge, measure the runout at the center journal.

Maximum circle runout: 0.1 mm (0.004 in.)

If the runout is greater than maximum, replace the crankshaft.

HINT: Use a long spindle on the dial gauge.

2. INSPECT MAIN JOURNALS AND CRANK PINS

(a) Using a micrometer, measure the diameter of the main journal and crank pin.

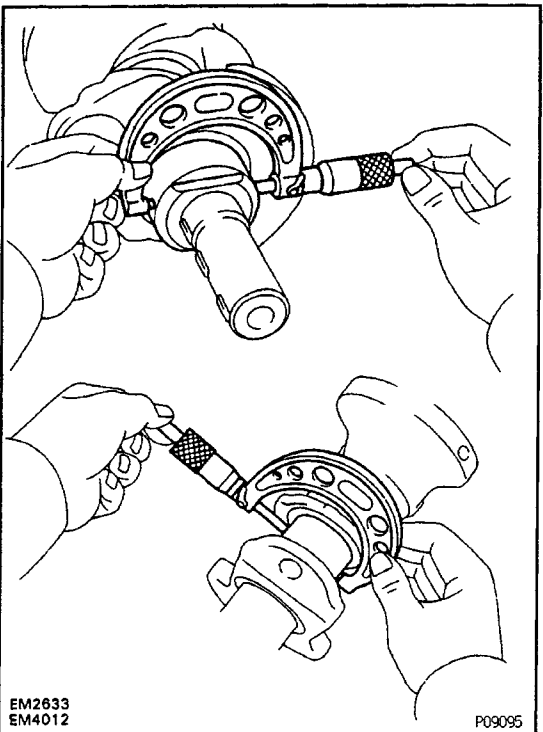
Main journal diameter: 59.984 – 60.000 mm

(2.3616 – 2.3622 in.)

Crank pin diameter: 52.988 – 53.000 mm

(2.0861 – 2.0866 in.)

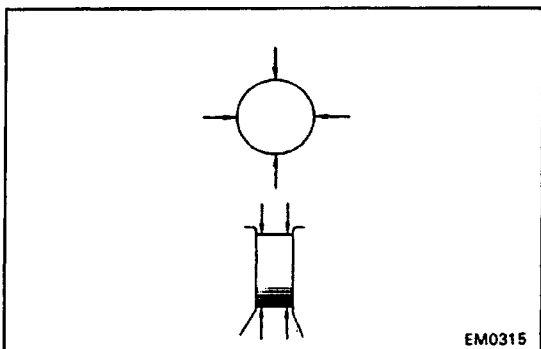
If journals are worn, regrind or replace the crankshaft.



EM2633

EM4012

P09095



EM0315

(b) Measure the journals for out-of-round and taper as shown.

Maximum taper: 0.01 mm (0.0004 in.)

Maximum out-of-round: 0.01 mm (0.0004 in.)

If taper and out-of-round are greater than maximum, regrind and/or replace the crankshaft.

3. GRIND CRANK PIN AND/OR MAIN JOURNAL, IF NECESSARY

(a) Grind the crank pins and/or main journals to the undersized finished diameter.

Bearing size (U/S 0.25)

Main journal finished diameter:

59.701 – 59.711 mm (2.3504 – 2.3508 in.)

Crank pin finished diameter:

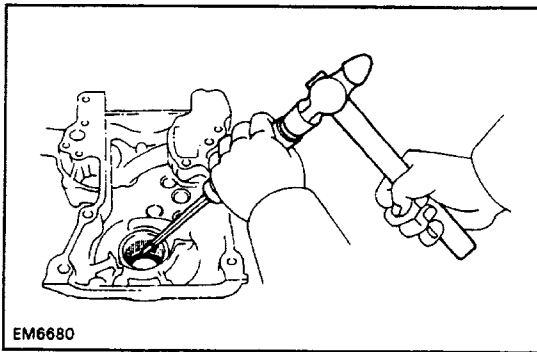
52.701 – 52.711 mm (2.0748 – 2.0752 in.)

(b) Install a new pin and/or main undersized bearings.

OIL SEALS REPLACEMENT

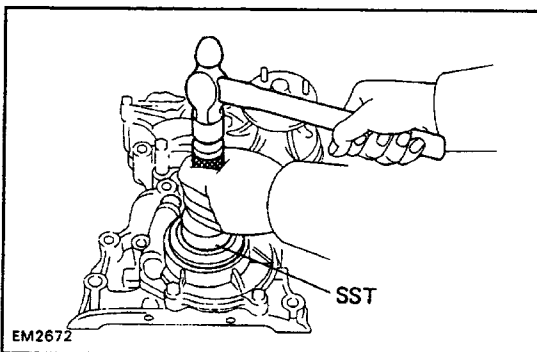
EG1VY-01

HINT: There are two ways of oil seal replacement in accordance with the timing chain cover or rear oil seal retainer condition.



1. IF TIMING CHAIN COVER IS REMOVED FROM CYLINDER BLOCK (Replacement of front oil seal)

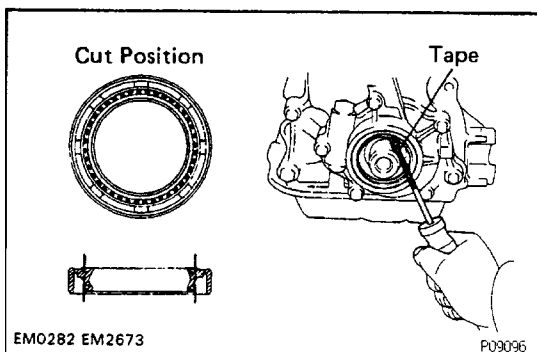
(a) Using a screwdriver, remove the oil seal.



(b) Apply MP grease to a new oil seal lip.

(c) Using SST, install the oil seal.

SST 09223-50010

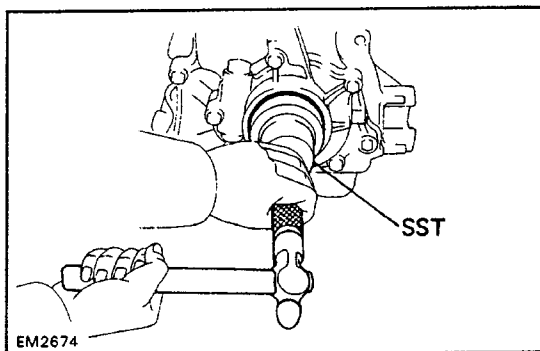


2. IF TIMING CHAIN COVER IS INSTALLED ON CYLINDER BLOCK (Replacement of front oil seal)

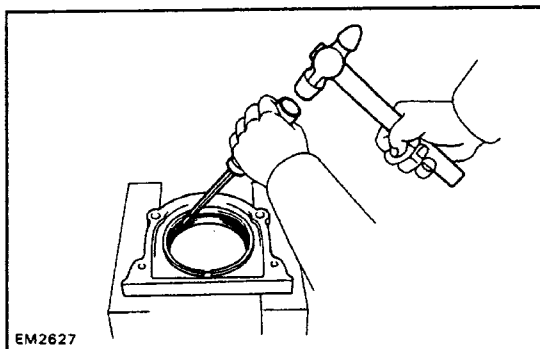
(a) Using a knife, cut off the oil seal lip.

(b) Using a screwdriver, pry out the oil seal.

NOTICE: Be careful not to damage the crankshaft. Tape the screwdriver tip.

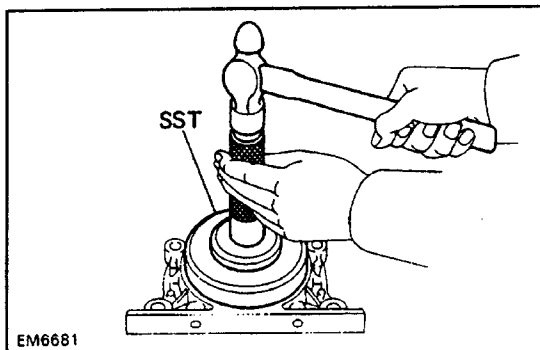


- (c) Apply MP grease to a new oil seal lip.
 (d) Using SST and a hammer, tap in the oil seal until its surface is flush with the timing chain cover edge.
 SST 09223 - 50010

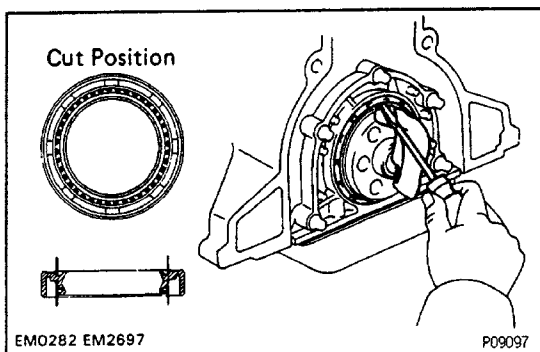


3. IF REAR OIL SEAL RETAINER IS REMOVED FROM CYLINDER BLOCK (Replacement of rear oil seal)

- (a) Using a screwdriver, remove the oil seal.



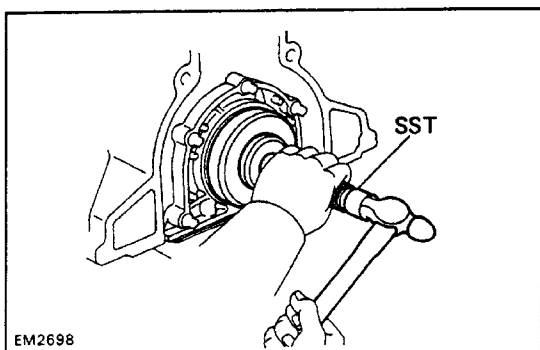
- (b) Apply MP grease to a new oil seal lip.
 (c) Using SST, install the oil seal.
 SST 09223-41020



4. IF REAR OIL SEAL RETAINER IS INSTALLED ON CYLINDER BLOCK (Replacement of rear oil seal)

- (a) Using a knife, cut off lip of oil seal.
 (b) Using a screwdriver, pry out the oil seal.

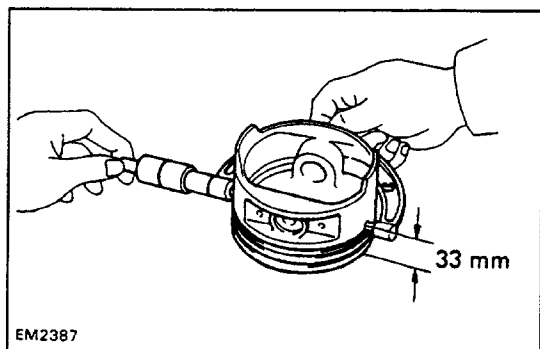
NOTICE: Be careful not to damage the crankshaft. Tape the screwdriver tip.



- (c) Apply MP grease to a new oil seal lip.
 (d) Using SST and a hammer, tap in the oil seal until its surface is flush with the rear oil seal retainer edge.
 SST 09223-41020

Size	Outside Diameter mm (0 n.)
O/S 0.50	92.475 – 92.505 (3.6407 – 3.6419)
O/S 1.00	92.975 – 93.005 (3.6604 – 3.6616)

V01771



CYLINDERS BORING

1. SELECT OVERSIZED PISTON

O/S pistons with pins are available in the sizes listed. Replace pistons in matched sets. Take the largest bore measured and select the oversized piston for that bore. Bore all cylinders for the oversized piston selected.

2. CALCULATE DIMENSION TO BORE CYLINDERS

(a) Using a micrometer, measure the piston diameter at right angles to the piston pin center line, 33 mm (1.30 in.) from the piston head.

(b) Calculate the size each cylinder is to be rebored as follows:

$$\text{Size to be rebored} = P + C - H$$

P = piston diameter

C = piston clearance

0.015 – 0.035 mm (0.0006 – 0.0014 in.)

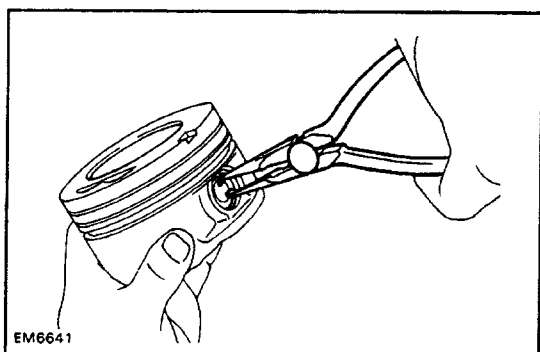
H = allowance for honing

0.02 mm (0.0008 in.) or less

3. BORE AND HONE CYLINDERS TO CALCULATED DIMENSIONS

Maximum honing: 0.02 mm (0.0008 in.)

NOTICE: Excess honing will destroy the finished roundness.

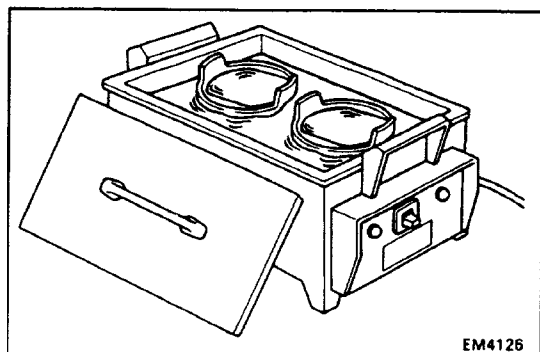


PISTON AND CONNECTING ROD ASSEMBLY

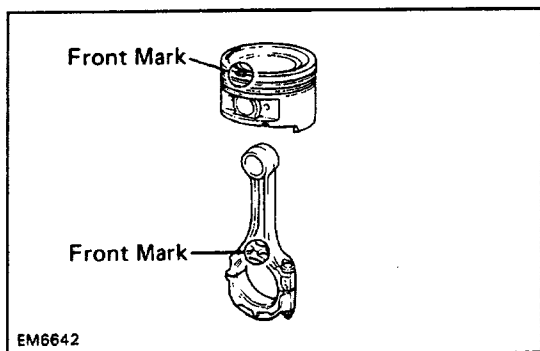
EG1W0-01

1. ASSEMBLE PISTON AND CONNECTING ROD

(a) Install a new snap ring on one side of the piston pin hole.

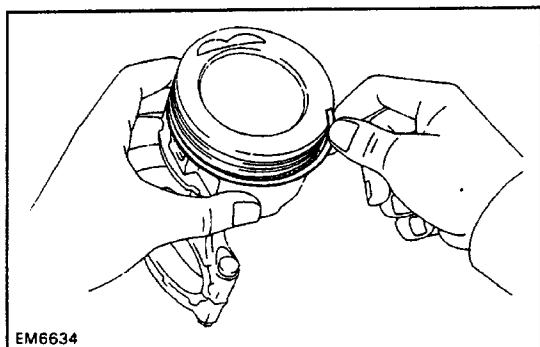


(b) Heat the piston in hot water to approx. 80°C (176°F).



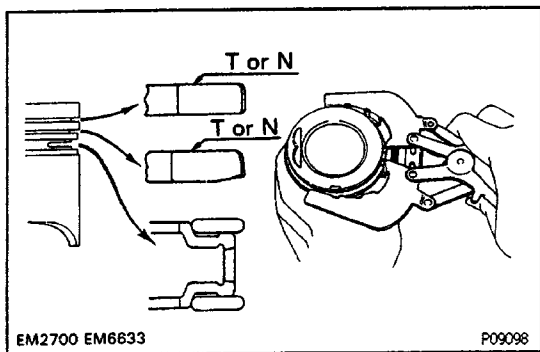
(c) Align the notch on the piston with the mark on the rod and push the piston pin in with your thumb.

(d) Install a new snap ring on the other side of the pin.

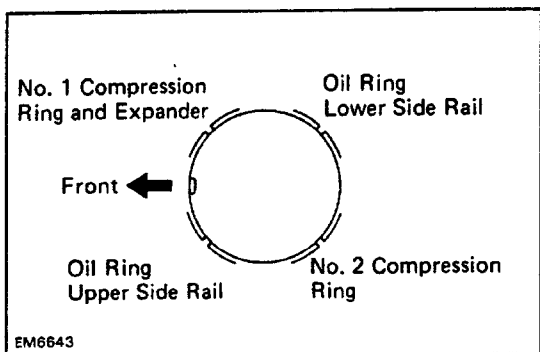


2. PLACE RINGS ON PISTON

(a) Install the oil ring expander and two side rails by hand.

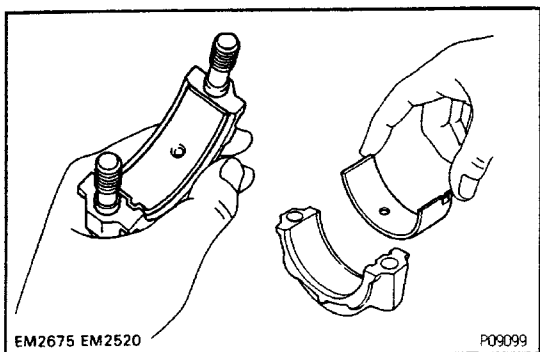


(b) Using a ring expander, install the two compression rings with the code marks facing upward.



(c) Position the piston rings so that the ring end gaps are as shown.

NOTICE: Do not align the end gaps.



3. INSTALL BEARINGS

(a) Install the bearing in the connecting rod and rod cap.

(b) Lubricate the face of the bearings with engine oil.

NOTICE: Install the bearings with the oil hole in the connecting rod.

EG1W1_06

INSTALLATION OF CRANKSHAFT, PISTON AND CONNECTING ROD ASSEMBLY

(See page [EG1-46](#))

GENERAL ASSEMBLY

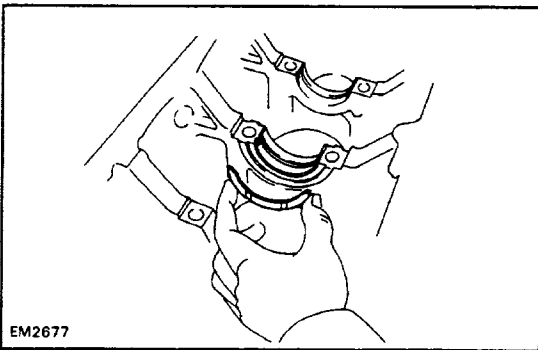
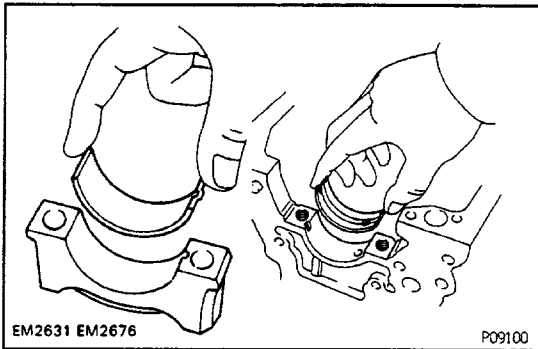
HINT:

- Thoroughly clean all parts to be assembled.
- Before installing parts, apply new engine oil to all sliding and rotating surfaces.
- Replace all gaskets, O-ring and oil seals with new parts.

1. INSTALL MAIN BEARINGS

Install the bearing in the cylinder block and bearing caps.

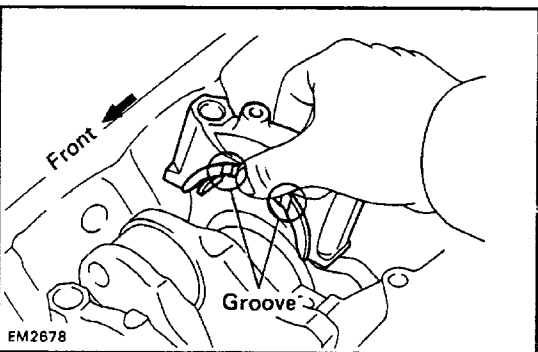
NOTICE: Install the upper bearing with the oil hole in the block.



2. INSTALL UPPER THRUST WASHERS

Install the thrust washers under the No.3 main bearing cap position of the block with the oil grooves facing outward.

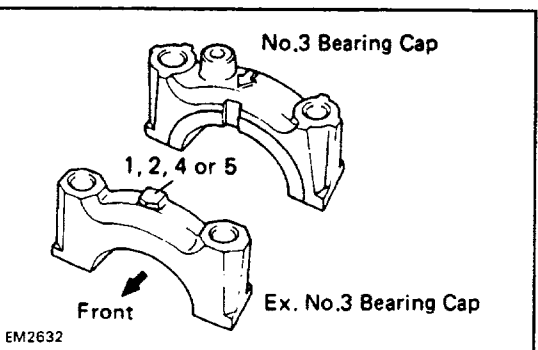
3. PLACE CRANKSHAFT ON CYLINDER BLOCK



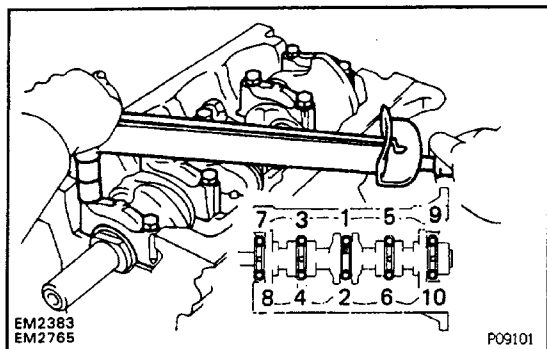
4. INSTALL MAIN BEARING CAPS WITH LOWER THRUST WASHERS

HINT: Each bearing cap is numbered.

(a) Install the thrust washers on the No.3 bearing cap with the grooves facing outward.



(b) Install the bearing caps in their proper locations.



(c) Apply a light coat of engine oil on the threads and under the cap bolt heads.

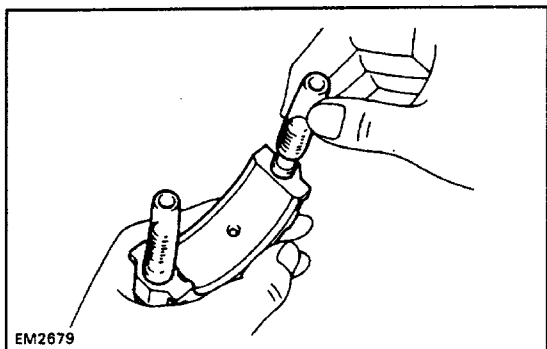
(d) Install and tighten the cap bolts in two or three passes and in the sequence shown.

Torque: 103 N-m(1,050 kgf-cm, 76 ft-lbf)

(e) Check that the crankshaft turns smoothly.

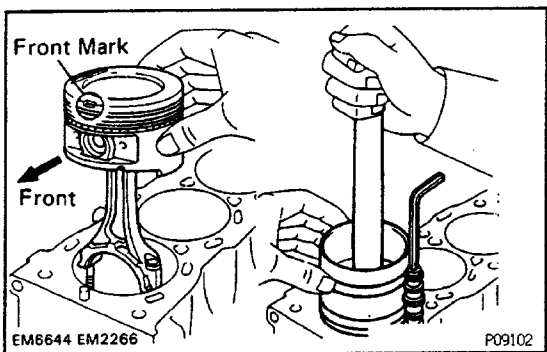
(f) Check the crankshaft thrust clearance.

(See page [EG1-53](#))



5. INSTALL PISTON AND CONNECTING ROD ASSEMBLY

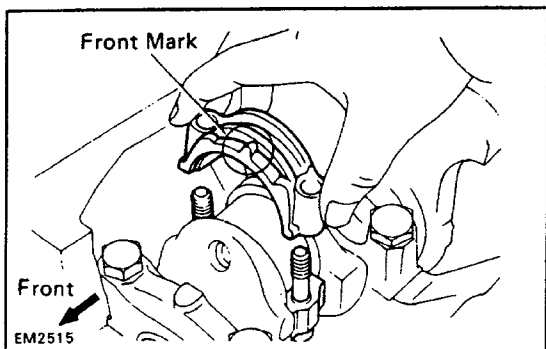
(a) Cover the rod bolts with a short piece of hose to protect the crankshaft from damage.



(b) Lubricate the cylinder bore and rod journal with clean engine oil.

(c) Using a ring compressor, tighten the compressor snugly but NOT tightly against the piston and gently tap the correctly numbered piston and rod assembly into its cylinders with a wooden hammer handle or like object. Make sure the notch and mark are facing forward.

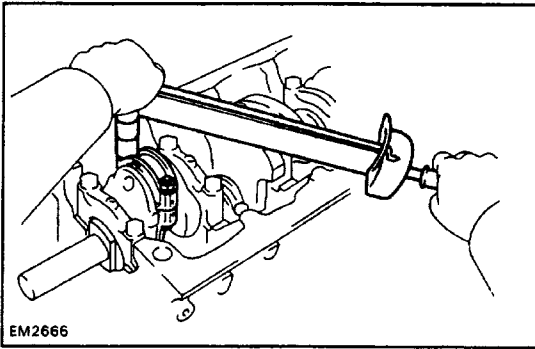
HINT: If the ring compressor is wound too tightly around the piston, the bottom edge of the ring compressor will catch against the beveled surface at the top of the cylinder when tapping the piston in.



6. INSTALL CONNECTING ROD CAPS

(a) Match the numbered cap with the numbered rod.

(b) Install the cap with the front mark facing forward.



EM2666

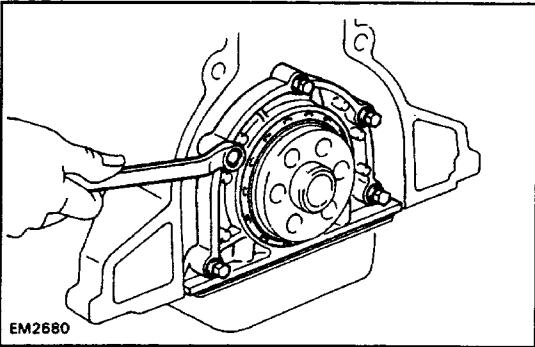
- (c) Apply a light coat of engine oil on the threads and under the rod nuts.
 (d) Install and tighten the rod nuts alternately and in two or three passes.

Torque: 69 N-m (700 kgf-cm, 51 ft-lbf)

- (e) Check that the crankshaft turns smoothly.

- (f) Check the rod thrust clearance.

(See page [EG1-51](#))



EM2680

CYLINDER BLOCK ASSEMBLY

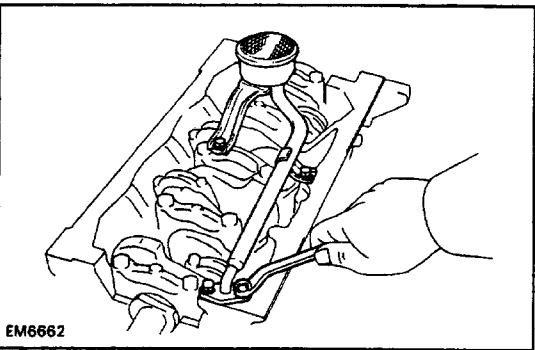
EG1W2-01

(See page [EG1-46](#))

1. INSTALL REAR OIL SEAL RETAINER

Install a new gasket and the retainer with the four bolts. Torque the bolts.

Torque: 18 N-m (180 kgf-cm, 13 ft-lbf)



EM6662

2. INSTALL OIL STRAINER

- (a) Clean the oil strainer.

- (b) Place the gasket in place and install the oil strainer assembly with the four bolts. Torque the bolts.

Torque: 13 N-m (130 kgf-cm, 9 ft-lbf)

3. INSTALL FUEL FILTER BRACKET AND FILTER

4. INSTALL KNOCK CONTROL SENSOR

5. INSTALL OIL PRESSURE SENDER GAUGE

6. (A/T)

INSTALL FLEXIBLE HOSE CLAMP

7. INSTALL RH ENGINE MOUNTING BRACKET, CHAMBER STAY AND GROUND STRAP

8. INSTALL OIL FILTER

(See step 2 on page [EG1-236](#))

9. INSTALL CHAIN TENSIONER

Torque: 19 N-m (195 kgf-cm, 14 ft-lbf)

10. INSTALL CHAIN DAMPERS

Torque: 22 N-m (220 kgf-cm, 16 ft-lbf)

11. INSTALL GENERATOR BRACKET AND LH ENGINE MOUNTING BRACKET

12. INSTALL TIMING CHAIN (See page [EG1-43](#))

13. INSTALL GENERATOR

14. INSTALL CYLINDER HEAD (See page [EG1-34](#))

15. REMOVE ENGINE STAND

16. INSTALL REAR END PLATE

17. INSTALL FLYWHEEL OR DRIVE PLATE

Install the flywheel (M / T) or spacer, drive plate, spacer (A/T) on the crankshaft with the six bolts.

Torque the bolts.

Torque: M/T 108 N–m (1,100 kgf–cm, 80 ft–lbf)
A/T 83 N–m (850 kgf–cm, 61 ft–lbf)

EG1W3-04

ENGINE INSTALLATION

1. (M/T)

INSTALL CLUTCH DISC AND COVER TO FLY-WHEEL

(See CL section)

2. CONNECT TRANSMISSION TO ENGINE

3. PLACE ENGINE WITH TRANSMISSION IN VEHICLE

(a) Attach the engine hoist chain to the lifting brackets on the engine.

(b) Lower the engine with transmission into the engine compartment.

4. (4WD)

PLACE JACK UNDER TRANSMISSION

Be sure to put a wooden block between the jack and the transmission pan.

5. JACK UP AND PUT TRANSMISSION ONTO MEMBER

6. INSTALL ENGINE MOUNTING TO FRAME BRACKET

(a) Align the engine mounting and frame bracket.

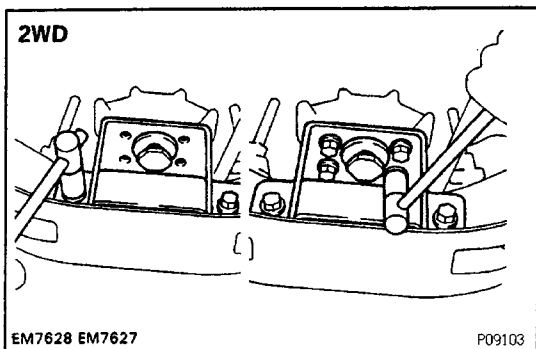
(b) Install the engine mounting bolts on each side of the engine.

(c) Remove the hoist chain.

7. (2WD)

INSTALL ENGINE REAR MOUNTING AND BRACKET

(a) Raise the transmission slightly by raising the engine with a jack and a wooden block under the transmission.



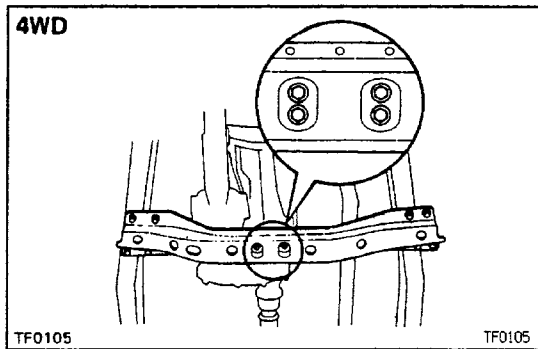
(b) Install the engine rear mounting bracket to the support member. Torque the bolts.

Torque: 13 N–m (130 kgf–cm, 9 ft–lbf)

(c) Lower the transmission and rest it on the extension housing.

(d) Install the bracket to the mounting. Torque the bolts.

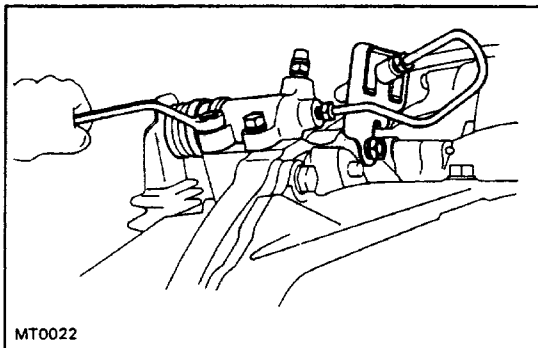
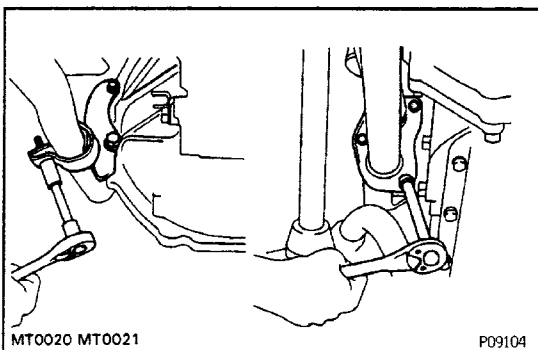
Torque: 25 N–m (260 kgf–cm, 19 ft–lbf)

**(4WD)****INSTALL NO.2 FRAME CROSSMEMBER**

- (a) Raise the transmission slightly with a jack.
- (b) Install the No.2 frame crossmember to the side frame with the bolts. Torque the bolts

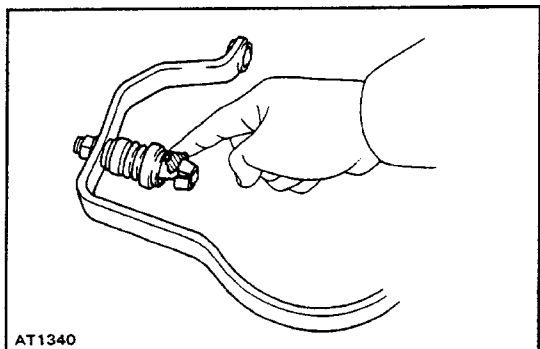
Torque: 95 N-m (970 kgf-cm, 70 ft-lbf)

- (c) Lower the transmission and transfer.
- (d) Install the four mounting bolts to the engine rear mounting. Torque the bolts.

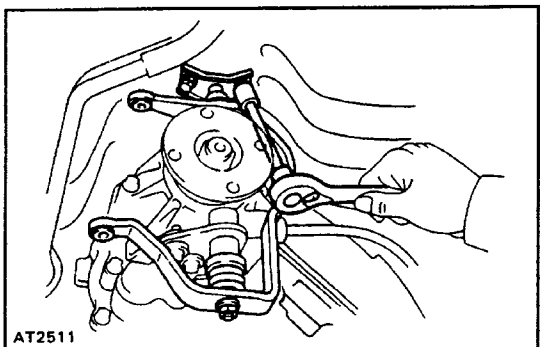
Torque: 13 N-m (130 kgf-cm, 9 ft-lbf)**8. (4WD)****INSTALL BRAKE TUBE HEAT INSULATOR AND NO. 1 FRONT FLOOR HEAT INSULATOR****9. (M/T)****INSTALL CLUTCH RELEASE CYLINDER WITH BRACKET TO TRANSMISSION****Torque:****Bracket 39 N-m (400 kgf-cm, 28 ft-lbf)****Release cylinder 12 N-m (120 kgf-cm, 9 ft-lbf)****10. INSTALL EXHAUST PIPE**

- (a) Connect the exhaust pipe to the catalytic converter.
- (b) Connect the exhaust pipe to the exhaust manifold.
- (c) Install the exhaust pipe clamp.
- (d) Connect the oxygen sensor connector.

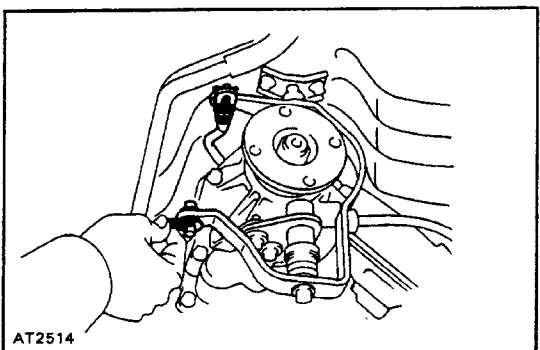
11. INSTALL NO.1 FRAME CROSSMEMBER**12. (4WD)****INSTALL FRONT PROPELLER SHAFT****(See PR section)****13. (4WD)****INSTALL STABILIZER BAR****(See SA section)****14. (4WD)****INSTALL TRANSFER UNDER COVER****15. CONNECT SPEEDOMETER CABLE**

**16. (4WD A/T)****CONNECT TRANSFER SHIFT LINKAGE**

(a) Apply MP grease to the cross shaft joint.



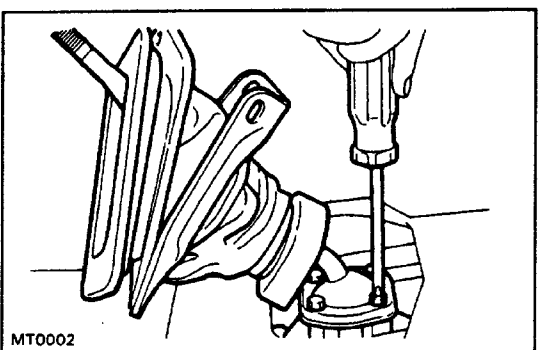
(b) Install the cross shaft to the body.



(c) Connect the No.1 and No.2 transfer shift linkage to the cross shaft.

17. (A/T)**CONNECT MANUAL SHIFT LINKAGE TO PNP SWITCH****18. INSTALL PROPELLER SHAFT**

(See PR section)

19. (R150)**INSTALL SHIFT LEVER RETAINER****20. (M/T)****INSTALL SHIFT LEVER**

(a) Apply MP grease to the shift lever.

(b) Install the shift lever to the transmission.

21. CONNECT GROUND STRAPS TO ENGINE REAR SIDE AND RH SIDE**22. (with A/C)****INSTALL COMPRESSOR TO BRACKET**

(a) Install the compressor with the four bolts.

(b) Install the drive belt and adjust the belt tension.

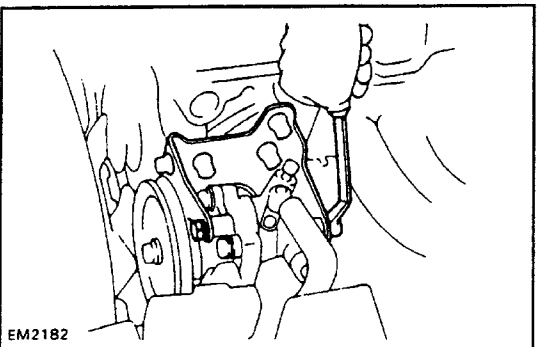
23. CONNECT GROUND STRAP FOR PS PUMP BRACKET**24. (w/PS)****INSTALL PS PUMP WITH PS PUMP BRACKET**

Install the PS pump with the four bolts.

25. CONNECT FOLLOWING CABLES:

(a) (A/T)

Throttle cable



(b) (w/Cruise control)

Cruise control cable

(c) Accelerator cable

26. CONNECT FOLLOWING HOSES:

(a) Charcoal canister hose to canister

(b) (w/Cruise control)

Cruise control vacuum hose

(c) Brake booster hose

(d) PS air hoses to gas filter and air pipe

27. CONNECT FOLLOWING WIRES AND CONNECTORS:

(a) (with A/C)

A/C compressor connector

(b) Check connector

(c) (M/T)

Starter relay connectors

(d) ECM connectors

(e) Ground strap to engine rear side

(f) Distributor wire

(g) High-tension cords

(h) Generator wires

(i) Igniter connector

(j) Generator connector and wire

(k) Ground strap to LH fender apron

28. INSTALL FAN PULLEY, BELT GUIDE, FLUID COUPLING AND GENERATOR DRIVE BELT

(See step 9 on page [EG1-44](#))

29. (with A/C)

INSTALL A/C BELT

(see step 2 on page [MA-6](#))

30. INSTALL PS PUMP AND BELT

(a) Place the PS drive belt onto each pulley.

(b) Stretch the belt tight and tighten the nuts.

(c) Torque the PS pump pulley lock nut.

Torque: 43 N-m (440 kgf-cm, 32 ft-lbf)

(d) adjust the belt tension.

(See step 2 on page [MA-6](#))

31. INSTALL RADIATOR

32. INSTALL AIR CLEANER CASE AND INTAKE AIR CONNECTOR

33. FILL WITH ENGINE OIL

(See step 3 on page [EG1-236](#))

34. FILL WITH COOLANT

(See step 3 on page [EG1-225](#))

35. INSTALL ENGINE UNDER COVER

36. INSTALL BATTERY

37. INSTALL HOOD

38. START ENGINE

Warm up the engine and inspect for leaks.

39. PERFORM ENGINE ADJUSTMENT

(See page [EG1-10](#))

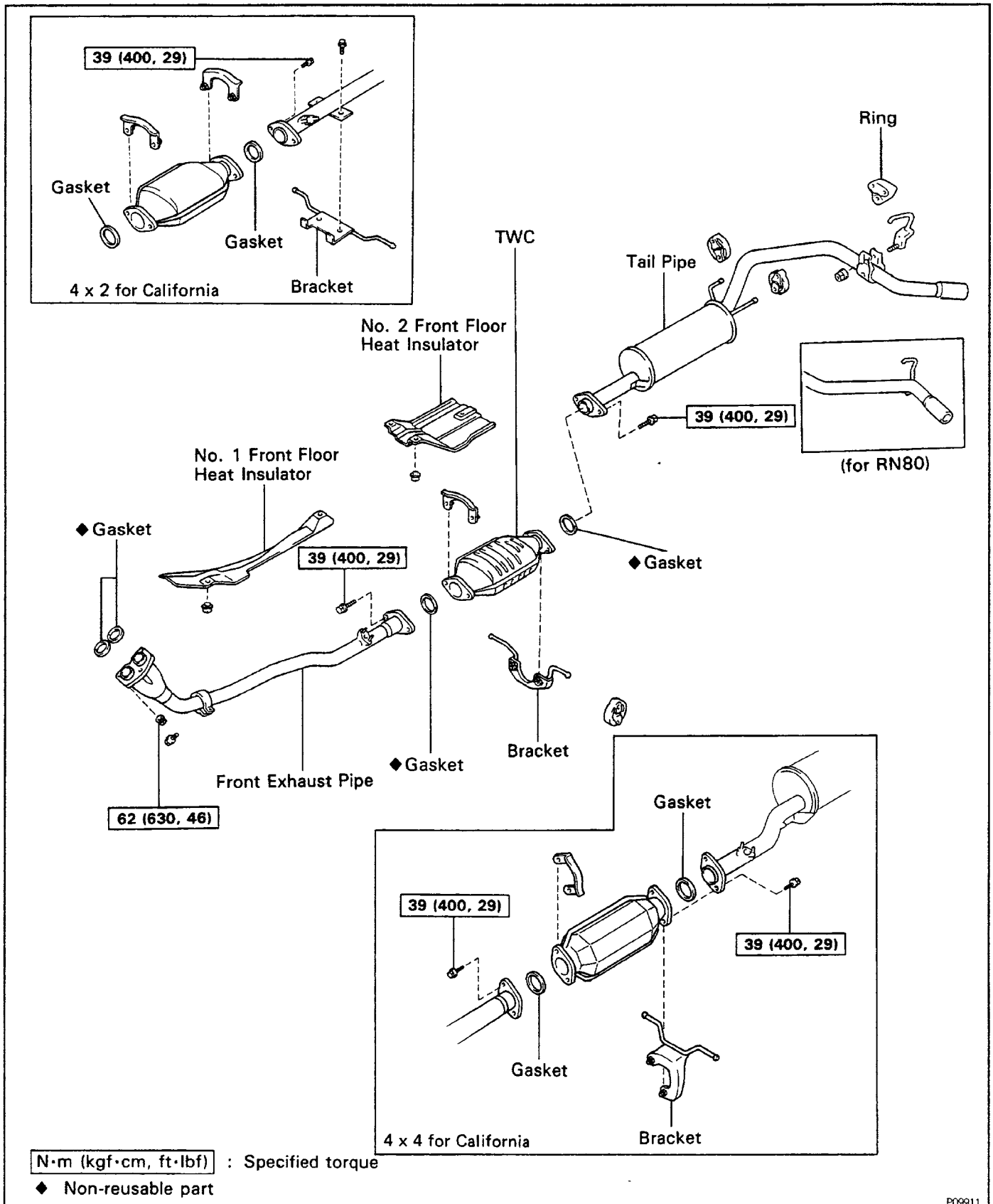
40. ROAD TEST

Road test the vehicle.

41. RECHECK COOLANT AND ENGINE OIL LEVEL

EXHAUST SYSTEM COMPONENTS

EG1W4-01



SERVICE SPECIFICATIONS

E01W5-01

SERVICE DATA

Compression pressure	STD	1,177 kPa	12.0 kgf/cm ²	171 psi	
	Limit	981 kPa	10.0 kgf/cm ²	142 psi	
	Difference between each cylinder	980 kPa (1.0 kgf/cm ² , 14 psi) or less			
Cylinder head	Head surface warpage	Limit	0.15 mm	0.0059 in.	
	Manifold surface warpage	Limit	0.20 mm	0.0079 in.	
	Valve seat Refacing angle	Intake	30°, 45°, 60°		
		Exhaust	30°, 45°, 65°		
	Contacting angle		45°		
Contacting width		1.2 - 1.6 mm	0.047 - 0.063 in.		
Valve guide bushing	Inner diameter	Intake	8.01 - 8.03 mm		
		Exhaust	8.01 - 8.03 mm		
	Outer diameter	STD	13.040 - 13.051 mm		
		O/S 0.05	13.090 - 13.101 mm		
Replacing temperature (cylinder head side)		Approx. 90°C (194°F)			
Valve	Valve overall length	STD Intake	113.5 mm		
		Exhaust	112.4 mm		
	Valve face angle		44.5°		
	Stem diameter	STD Intake	7.970 - 7.985 mm		
		Exhaust	7.965 - 7.980 mm		
	Stem end refacing	Limit	0.5 mm		
	Stem oil clearance	STD Intake	0.025 - 0.06 mm		
			Exhaust	0.03 - 0.065 mm	
		Limit Intake	0.08 mm		
			Exhaust	0.10 mm	
Valve head edge thickness	STD	1.0 mm			
	Limit	0.6 mm			
Valve spring	Free length		48.5 mm		
	Installed load at 40.5 mm (1.594 in.)	STD	294 N	30.0 kgf	66.1 lbf
		Limit	279 N	28.5 kgf	62.8 lbf
	Squareness	Limit	1.6 mm		
Rocker arm and shaft	Rocker arm inside diameter		16.000 - 16.018 mm		
	Rocker shaft diameter		15.97 - 15.99 mm		
	Shaft to arm oil clearance	STD	0.01 - 0.05 mm		
		Limit	0.08 mm		
Intake, exhaust manifolds and air intake chamber	Manifold surface warpage				
	Limit Intake		0.2 mm	0.008 in.	
	Exhaust		0.7 mm	0.028 in.	
	Air intake chamber		0.2 mm	0.008 in.	
Chain and sprocket	Crankshaft sprocket wear	Limit	59.4 mm		
	Camshaft sprocket wear	Limit	113.8 mm		
			2.339 in.		
			4.480 in.		

Tension and damper	Tensioner head thickness	Limit		11.0 mm	0.433 in.	
	No. 1 damper wear	Limit		0.5 mm	0.020 in.	
	No. 2 damper wear	Limit		0.5 mm	0.020 in.	
Camshaft	Thrust clearance	STD		0.08 - 0.18 mm	0.0031 - 0.0071 in.	
		Limit		0.25 mm	0.0098 in.	
	Journal oil clearance	STD		0.01 - 0.05 mm	0.0004 - 0.0020 in.	
		Limit		0.1 mm	0.004 in.	
	Journal diameter	STD		32.98 - 33.00 mm	1.2984 - 1.2992 in.	
	Circle runout	Limit		0.2 mm	0.008 in.	
	Cam height	STD	Intake		42.63 - 42.72 mm	1.6783 - 1.6891 in.
			Exhaust		42.69 - 42.78 mm	1.6807 - 1.6842 in.
Limit		Intake		42.25 mm	1.6634 in.	
		Exhaust		42.30 mm	1.6654 in.	
Cylinder block	Cylinder head surface warpage	Limit		0.05 mm	0.0020 in.	
	Cylinder bore STD	No. 1		92.00 - 92.01 mm	3.6220 - 3.6224 in.	
		No. 2		92.01 - 92.02 mm	3.6224 - 3.6228 in.	
		No. 3		92.02 - 92.03 mm	3.6228 - 3.6232 in.	
	Cylinder bore wear	Limit		0.02 mm	0.008 in.	
	Cylinder block main journal bore	STD	No. 3		64.004 - 64.010 mm	2.5198 - 2.5201 in.
			No. 4		64.010 - 64.016 mm	2.5201 - 2.5203 in.
			No. 5		64.016 - 64.022 mm	2.5203 - 2.5205 in.
			U/S 0.25		64.004 - 64.022 mm	2.5198 - 2.5205 in.
	Piston and piston ring	Piston diameter	STD	No. 1		91.975 - 91.985 mm
No. 2					91.985 - 91.995 mm	3.6214 - 3.6218 in.
No. 3					91.995 - 92.005 mm	3.6218 - 3.6222 in.
O/S 0.50					92.475 - 92.505 mm	3.6407 - 3.6419 in.
			O/S 1.00			92.975 - 93.005 mm
Piston to cylinder clearance						0.015 - 0.035 mm
		Ring to ring groove clearance	STD		0.03 - 0.07 mm	0.0012 - 0.0028 in.
Limit					0.2 mm	0.008 in.
Piston ring end gap		STD	No. 1		0.25 - 0.47 mm	0.0098 - 0.0185 in.
			No. 2		0.60 - 0.82 mm	0.0236 - 0.0323 in.
			Oil		0.20 - 0.57 mm	0.0079 - 0.0224 in.
		Limit	No. 1		1.07 mm	0.0421 in.
			No. 2		1.42 mm	0.0559 in.
	Oil		1.17 mm	0.0461 in.		
Piston pin installing temperature			80°C	176°F		
Connecting rod and bearing	Thrust clearance	STD		0.16 - 0.26 mm	0.0063 - 0.0102 in.	
		Limit		0.3 mm	0.012 in.	
	Bearing oil clearance	STD		0.025 - 0.055 mm	0.0010 - 0.0022 in.	
		Limit		0.10 mm	0.0039 in.	

Connecting rod and bearing (cont'd)	Big end inner diameter	STD A	56.000 - 56.006 mm	2.2047 - 2.2050 in.
		B	56.006 - 56.012 mm	2.2050 - 2.2052 in.
		C	56.012 - 56.018 mm	2.2052 - 2.2054 in.
		U/S 0.25	56.000 - 56.018 mm	2.2047 - 2.2054 in.
	Connecting rod bearing center wall thickness	STD A	1.484 - 1.488 mm	0.0584 - 0.0586 in.
		B	1.488 - 1.492 mm	0.0586 - 0.0587 in.
		C	1.492 - 1.496 mm	0.0587 - 0.0589 in.
		U/S 0.25	1.626 - 1.636 mm	0.0640 - 0.0644 in.
	Pin to bushing oil clearance	STD	0.005 - 0.011 mm	0.0002 - 0.0004 in.
		Limit	0.015 mm	0.0006 in.
	Rod bend per 100 mm (3.94 in.)	Limit	0.05 mm	0.0020 in.
		Limit	0.15 mm	0.0059 in.
	Crankshaft	Thrust clearance	STD	0.02 - 0.22 mm
Limit			0.3 mm	0.012 in.
Thrust washer thickness		STD	2.690 - 2.740 mm	0.1059 - 0.1079 in.
		O/S 1.25	2.753 - 2.803 mm	0.1084 - 0.1104 in.
		O/S 2.50	2.815 - 2.865 mm	0.1108 - 0.1128 in.
Main journal oil clearance		STD	0.025 - 0.055 mm	0.0010 - 0.0022 in.
		Limit	0.08 mm	0.0031 in.
Main journal diameter		STD	59.984 - 60.000 mm	2.3616 - 2.3622 in.
Main journal finished diameter		U/S 0.25	59.701 - 59.711 mm	2.3504 - 2.3508 in.
		STD		
Main bearing center wall thickness		No. 3	1.988 - 1.992 mm	0.0783 - 0.0784 in.
		No. 4	1.992 - 1.996 mm	0.0784 - 0.0786 in.
		No. 5	1.996 - 2.000 mm	0.0786 - 0.0787 in.
		U/S 0.25	2.216 - 2.136 mm	0.0837 - 0.0841 in.
Crank pin diameter		STD	52.988 - 53.000 mm	2.0861 - 2.0866 in.
Crank pin finished diameter		U/S 0.25	52.701 - 52.711 mm	2.0748 - 2.0752 in.
		Circle runout Limit	0.1 mm	0.004 in.
Main journal taper and out-of-round		Limit	0.01 mm	0.0004 in.
		Limit	0.01 mm	0.0004 in.

TORQUE SPECIFICATIONS

Part tightened	N·m	kgf·cm	ft·lbf
Cylinder head x Cylinder head cover	5.9	60	52 in.-lbf
Cylinder head x Camshaft bearing cap	20	200	14
Cylinder head x Spark plug	18	180	13
Cylinder head x Intake manifold	19	195	14
Cylinder head x No. 1 secondary air injection manifold	13	130	9
Cylinder head x EGR valve	13	130	9
Cylinder head x Exhaust manifold	44	450	33
Cylinder head x Cylinder head rear cover	13	130	9
Cylinder block x Cylinder head	78	800	58
Cylinder block x Chain damper	22	220	16
Cylinder block x Chain tensioner	19	195	14
Cylinder block x Engine mounting	39	400	29
Cylinder block x Rear oil seal retainer	18	180	13
Cylinder block x Fuel filter bracket	19	195	14
Oil cooler relief valve x Cylinder block	69	700	51
Cylinder block x Crankshaft bearing cap	103	1,050	76
Cylinder block x Oil strainer	13	130	9
Cylinder block x Oil pan	13	130	9
Cylinder block x Engine mounting bracket	44	400	33
Valve clearance adjusting screw	25	250	18
Camshaft x Distributor drive gear	78	800	58
Crankshaft pulley x No. 2 crankshaft pulley	19	195	14
Air intake chamber x EGR pipe	13	130	9
Air intake chamber x Intake manifold	19	195	14
Air intake chamber x Accelerator control cable bracket	13	130	9
Intake manifold x Water outlet	19	195	14
Intake manifold x PAIR valve	13	130	9
No. 1 secondary air injection manifold x PAIR valve	13	130	9
No. 1 secondary air injection manifold x No. 2 secondary air injection manifold	13	130	9
Exhaust manifold x No. 2 exhaust manifold heat insulator	19	195	14
Exhaust manifold x No. 2 secondary air injection manifold			
10 mm bolt	44	450	33
8 mm bolt	22	220	16
Connecting rod x Connecting rod cap	69	700	51
Crankshaft x Crankshaft pulley	157	1,600	116
Crankshaft x Flywheel	108	1,100	80
Crankshaft x Drive plate	83	850	61
Oil pan x Drain plug	25	250	18

EMISSION CONTROL SYSTEMS

SYSTEM PURPOSE


System	Abbreviation	Purpose
Positive crankcase ventilation	PCV	Reduces blow-by gas (HC)
Fuel evaporative emission control	EVAP	Reduces evaporative HC
Exhaust gas recirculation	EG R	Reduces NOx
Pulsed secondary air injection	PAIR	Reduces HC and CO
Three -way catalytic converter	TWC	Reduces HC CO and NOx
Multiport fuel injection *	MFI	Regulates all engine conditions for reduction of exhaust emissions.

Remark: *For inspection and repair of the MFI system, refer to the MFI section this manual.

PREPARATION


EG06U-01

SST (SPECIAL SERVICE TOOLS)

	09843-18024 Diagnosis Check Wire	
---	----------------------------------	--

RECOMMENDED TOOLS

EG06V-01

	09082-00015 TOYOTA Electrical Tester	
---	--------------------------------------	--

EQUIPMENT

EG06W-06

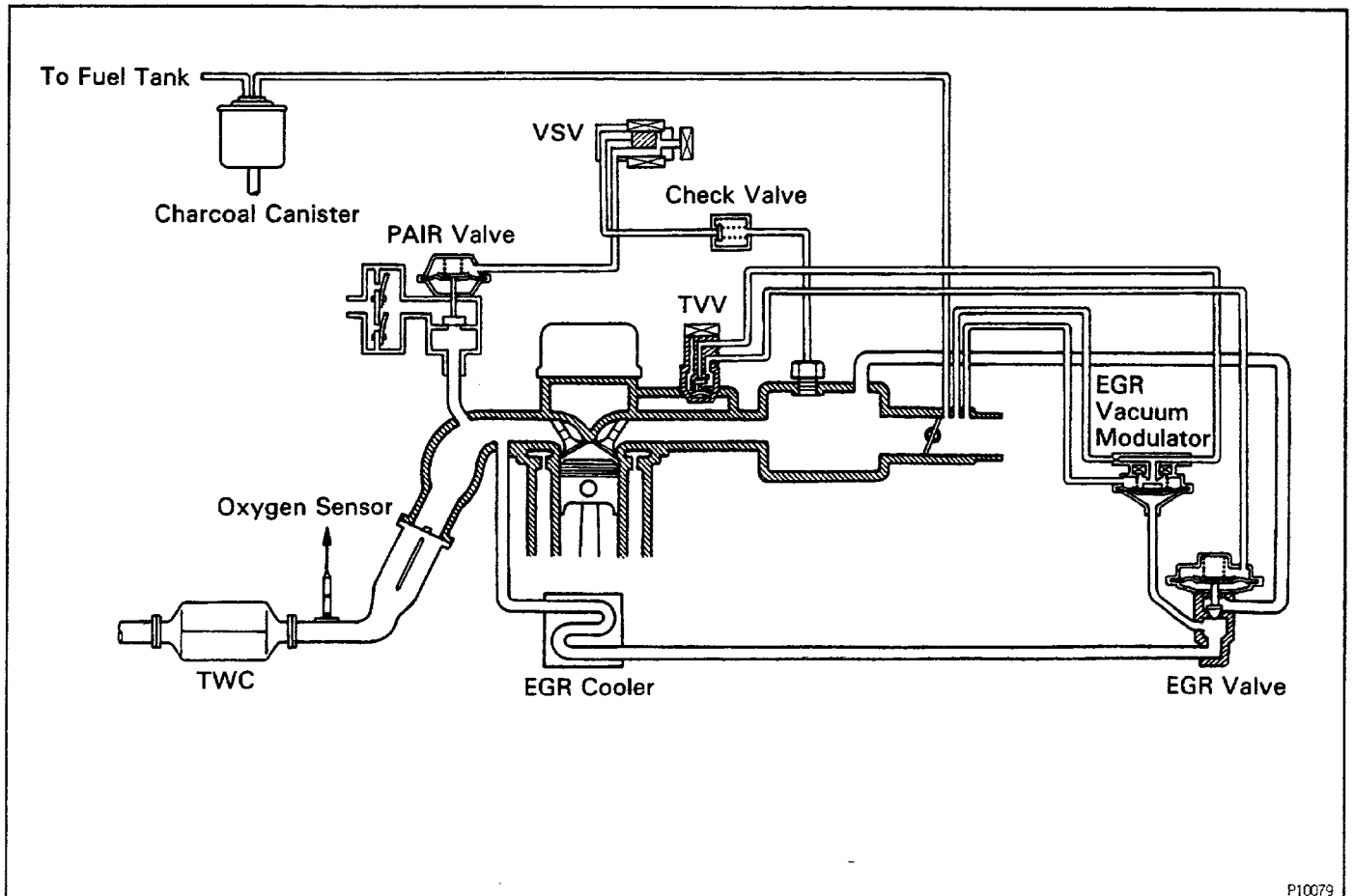
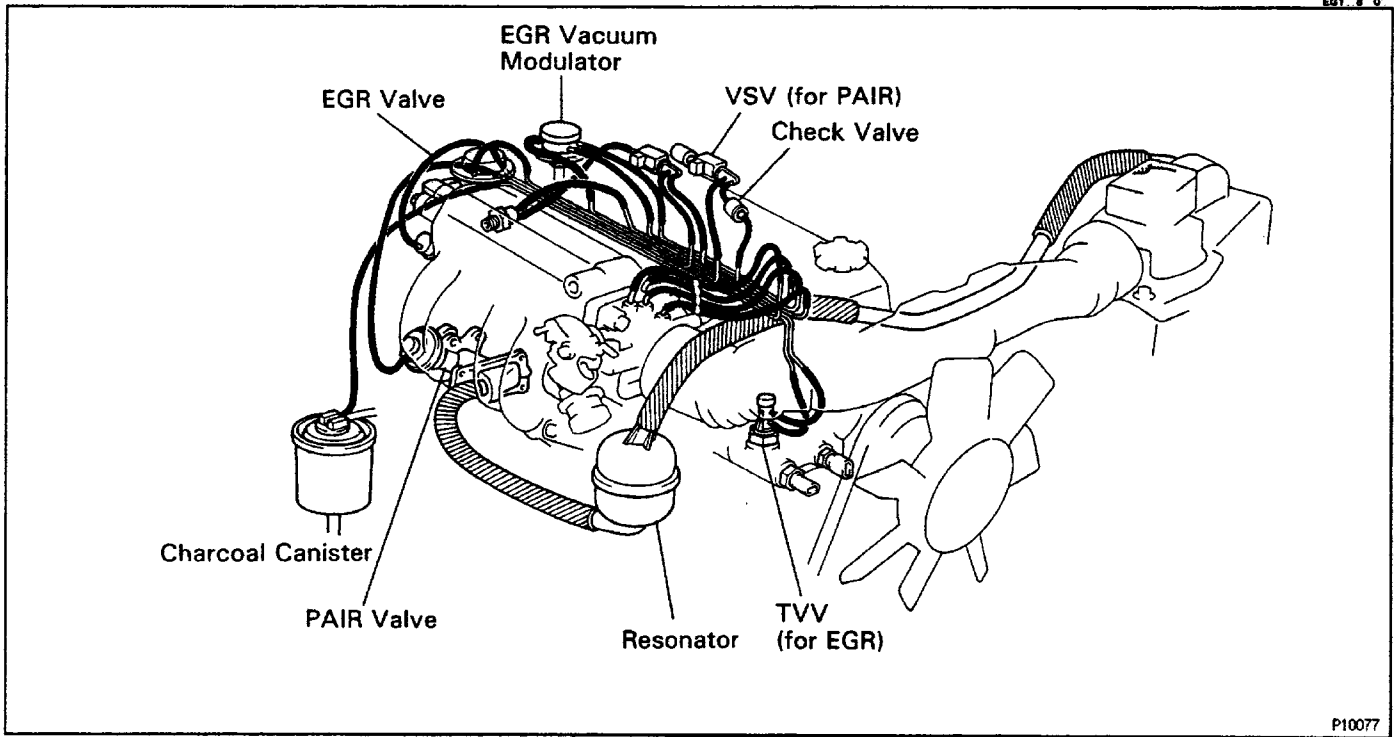
Heater	TVV
Thermometer	TVV
Tachometer	
Torque wrench	
Vacuum gauge	

SSM (SPECIAL SERVICE MATERIALS)

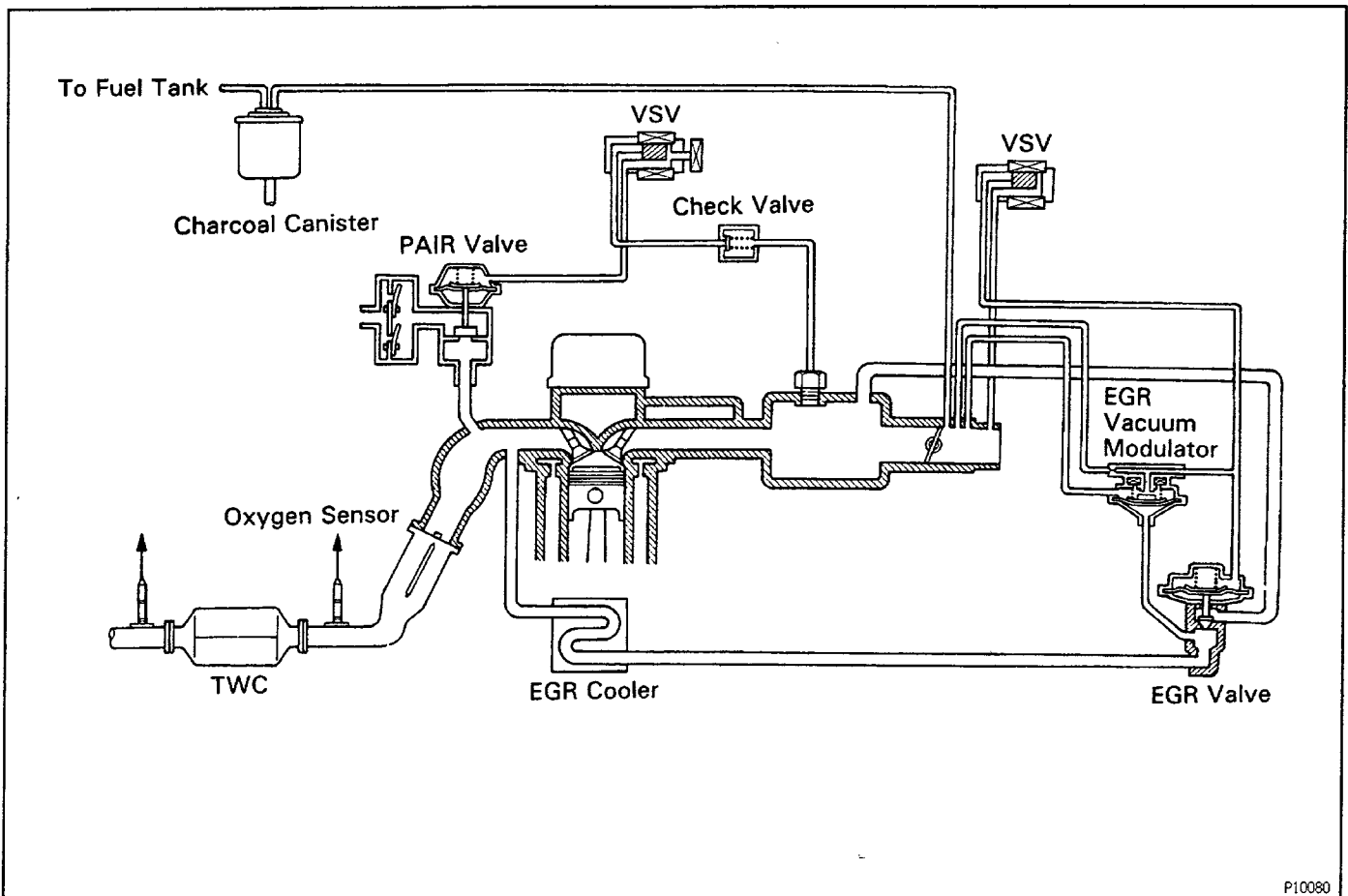
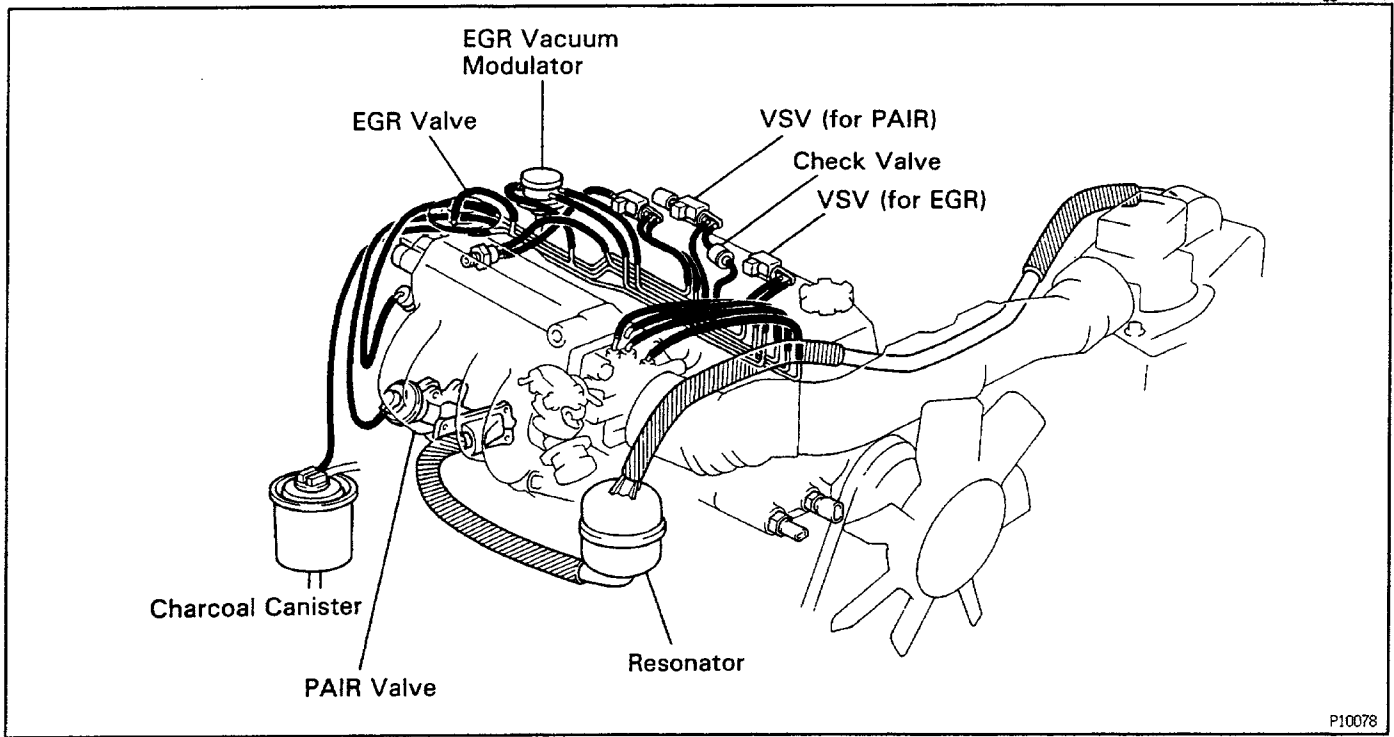
EG06X-06

08833-00070 Adhesive 1324, THREE BOND 1324 or equivalent	TVV
---	-----

LAYOUT AND SCHEMATIC DRAWING (Federal and Canada)

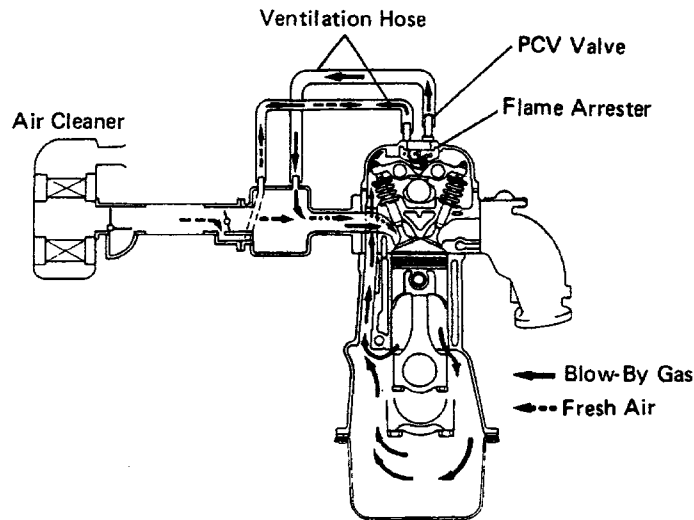


LAYOUT AND SCHEMATIC DRAWING (Calif.)



POSITIVE CRANKCASE VENTILATION (PCV) SYSTEM

EG1WA-01

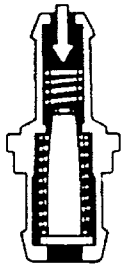


EC2572

To reduce HC emission, crankcase blow-by gas (HC) is routed through the PCV valve to the intake manifold for combustion in the cylinders.

Engine not Running or Backfiring

Intake Manifold Side

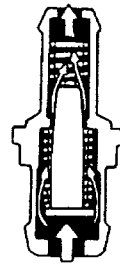


○ PCV VALVE IS CLOSED.

Cylinder Head Side

EC1001

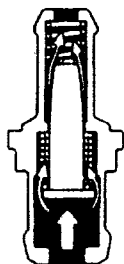
Normal Operation



○ PCV VALVE IS OPEN.
○ VACUUM PASSAGE IS LARGE.

EC1002

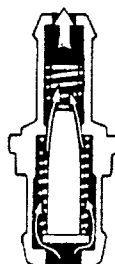
Idling or Decelerating



○ PCV VALVE IS OPEN.
○ VACUUM PASSAGE IS SMALL.

EC1003

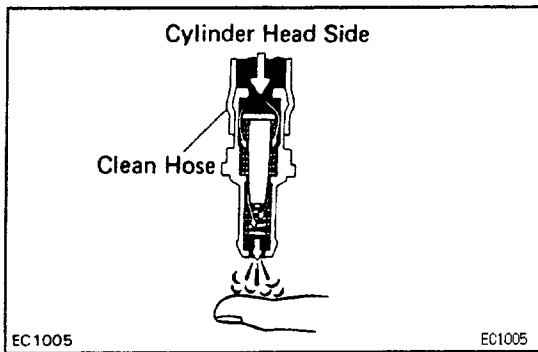
Acceleration or Heavy Load



○ PCV VALVE IS FULLY OPEN.

EC1004

EG1WB-01



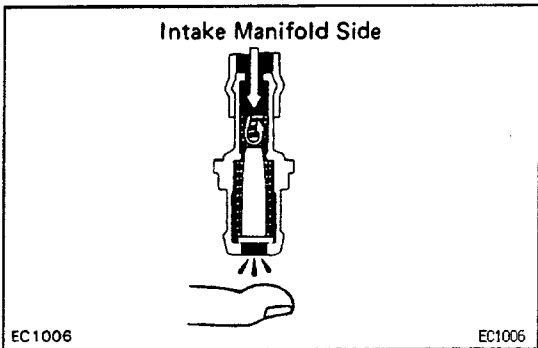
PCV VALVE INSPECTION

1. REMOVE PCV VALVE
2. ATTACH CLEAN HOSE TO PCV VALVE
3. BLOW AIR FROM CYLINDER HEAD SIDE

Check that air passes through easily.

NOTICE: Do not suck air through the valve.

Petroleum substances inside the valve are harmful.

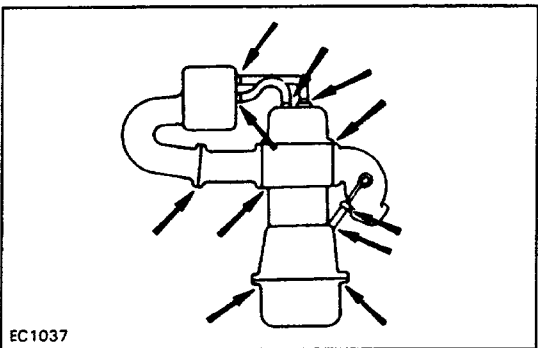


4. BLOW AIR FROM INTAKE MANIFOLD SIDE

Check that air passes through with difficulty. If the

PCV valve fails either check, replace it.

5. REINSTALL PCV VALVE



PCV HOSES AND CONNECTIONS INSPECTION

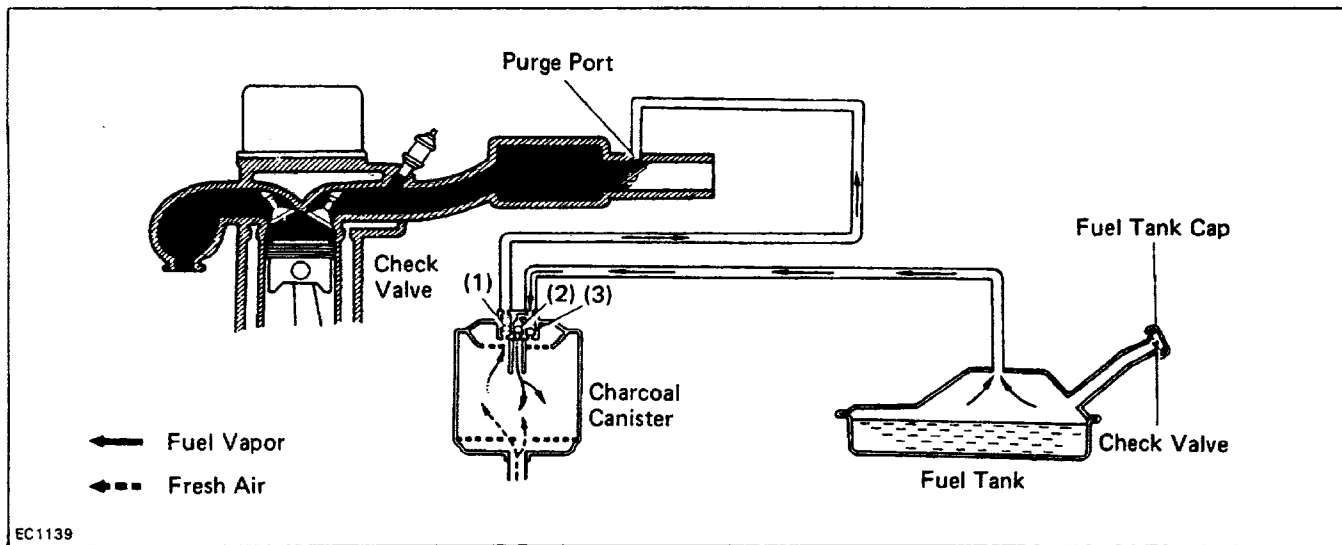
EG1WC-01

VISUALLY INSPECT HOSES, CONNECTIONS AND GASKETS

Check for cracks, leaks or damage.

EVAPORATIVE EMISSION (EVAP) CONTROL SYSTEM

EG1WD-01

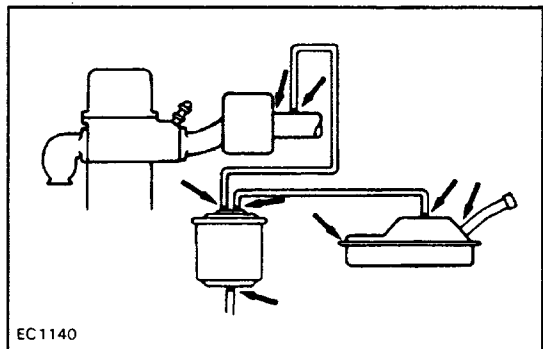


EC1139

To reduce HC emission, evaporated fuel from the fuel tank is routed through the charcoal canister to the throttle body for combustion in the cylinders.

Throttle Valve Opening	Check Valve in Charcoal Canister			Check Valve in Fuel Tank Cap	Evaporated Fuel (HC)
	(1)	(2)	(3)		
Positioned below purge port	CLOSED	—			HC from tank is absorbed in the canister.
Positioned above purge port	OPEN		—		HC from canister is led into throttle body.
High pressure in tank		OPEN	CLOSED	CLOSED	HC from tank is absorbed in the canister.
High vacuum in tank	—	CLOSED	OPEN	OPEN	(Air is led into the tank.)

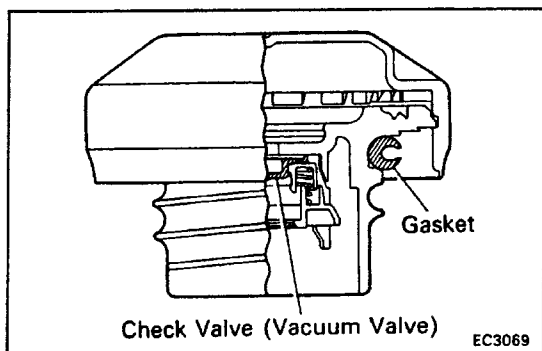
V01773



EC1140

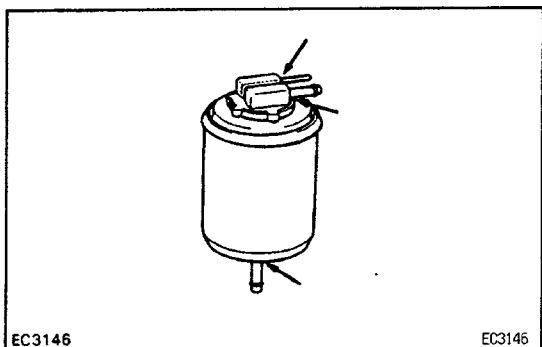
INSPECTION OF FUEL VAPOR LINES, FUEL TANK AND TANK CAP

- 1. VISUALLY INSPECT LINES AND CONNECTIONS**
Look for loose connections, sharp bends or damage.
- 2. VISUALLY INSPECT FUEL TANK**
Look for deformation, cracks or fuel leakage.



3. VISUALLY INSPECT FUEL TANK CAP

Look for a damaged or deformed gasket and cap. If necessary, repair or replace the cap.



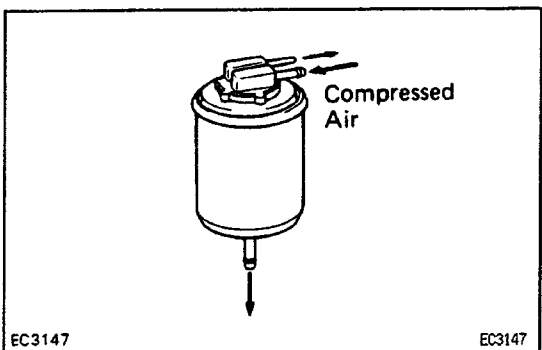
CHARCOAL CANISTER INSPECTION

EG1WF-01

1. REMOVE CHARCOAL CANISTER

2. VISUALLY INSPECT CHARCOAL CANISTER CASE

Look for cracks or damage.

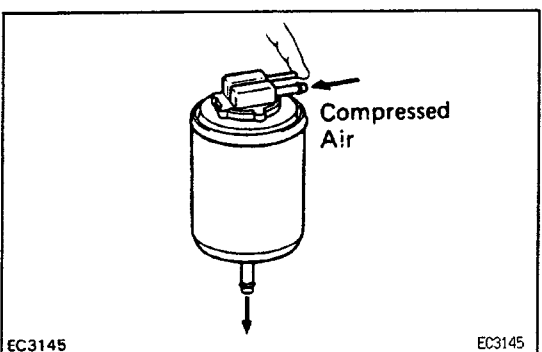


3. CHECK FOR CLOGGED FILTER AND STUCK CHECK VALVE

(a) Using low pressure compressed air, blow air into the tank pipe and check that the air flows without resistance from the other pipes.

(b) Blow into the purge pipe and check that the air does not flow from the other pipes.

If a problem is found, replace the charcoal canister.



4. CLEAN FILTER IN CANISTER

Clean the filter by blowing 294 kPa (3 kgf/cm², 43psi) of compressed air into the tank pipe, while holding the purge pipe closed.

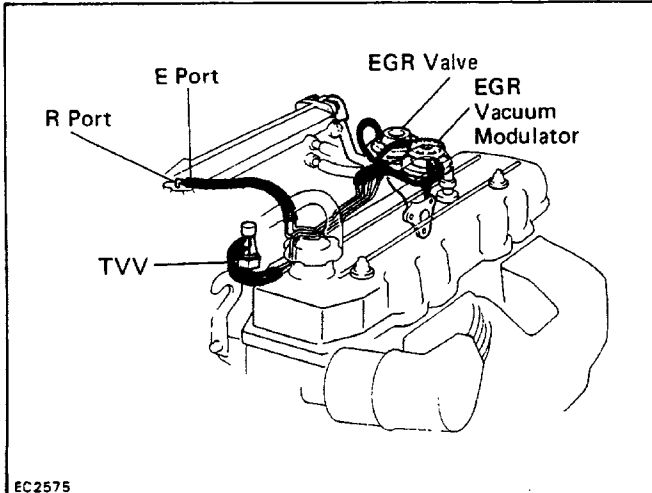
HINT:

- Do not attempt to wash the canister.
- No activated carbon should come out.

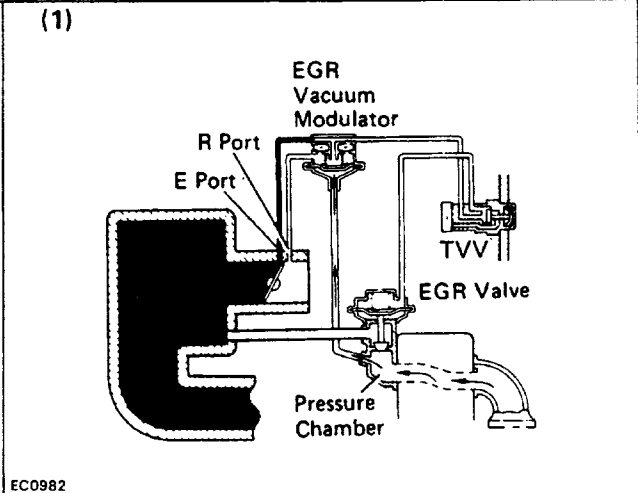
5. INSTALL CHARCOAL CANISTER

EXHAUST GAS RECIRCULATION (EGR) SYSTEM (Federal and Canada)

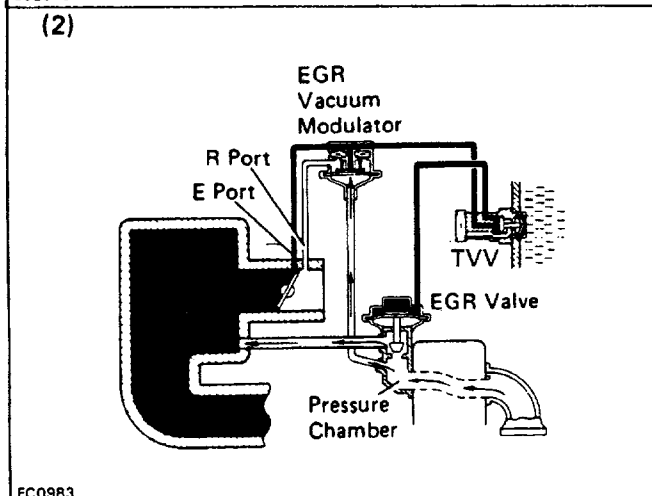
EG1WG-01



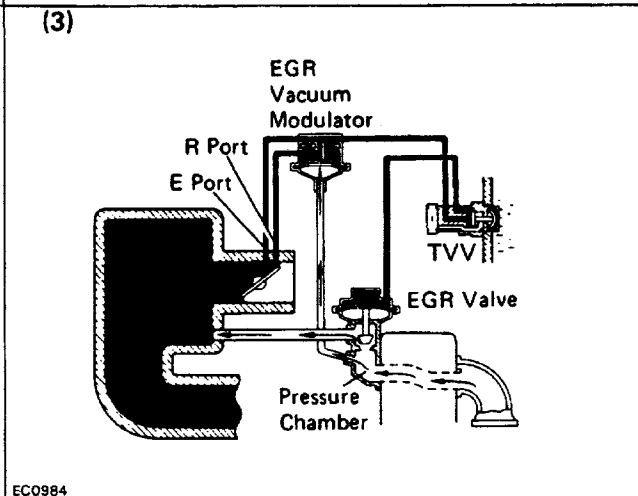
EC2575



EC0982



EC0983



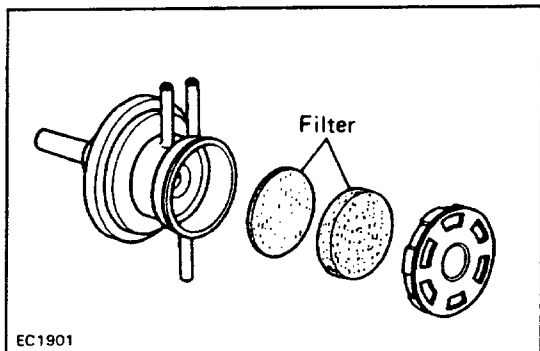
EC0984

To reduce NOx emission, part of the exhaust gases are recirculated through the EGR valve to the intake manifold to lower the maximum combustion temperature.

Coolant Temp.	TVV	Throttle Valve Opening Angle	Pressure in the EGR Valve Pressure Chamber	EGR Vacuum Modulator	EGR Valve	Exhaust Gas	
Below 30°C (86°F)	CLOSED	—	—	—	CLOSED	Not recirculated	
Above 44°C (111°F)	OPEN	Positioned below E port	—	—	CLOSED	Not recirculated	
		Positioned between E port and R port	(1) LOW	*Pressure constantly alternating between low and high	OPENS passage to atmosphere	CLOSED	Not recirculated
			(2) HIGH		CLOSES passage to atmosphere	OPEN	Recirculated
		Positioned above R port	(3) HIGH	**	CLOSES passage to atmosphere	OPEN	Recirculated (increase)

Remarks: * Pressure increases → Modulator closes → EGR valve opens → Pressure drops —
 ← EGR valve closes ← Modulator opens ←

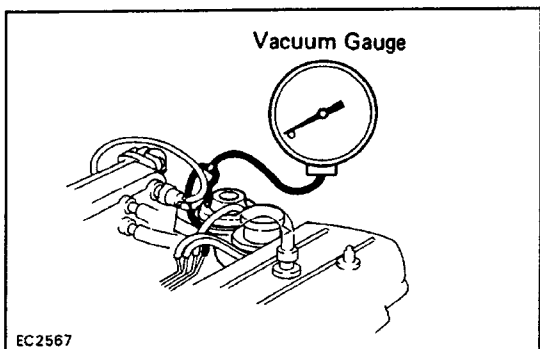
**When the throttle valve is positioned above the R port, the EGR vacuum modulator will close the atmosphere passage and open the EGR valve to increase the EGR gas, even if the exhaust pressure is insufficiently low.



EGR SYSTEM INSPECTION

1. CHECK AND CLEAN FILTER IN EGR VACUUM MODULATOR

- Check the filter for contamination or damage.
- Using compressed air, clean the filter.

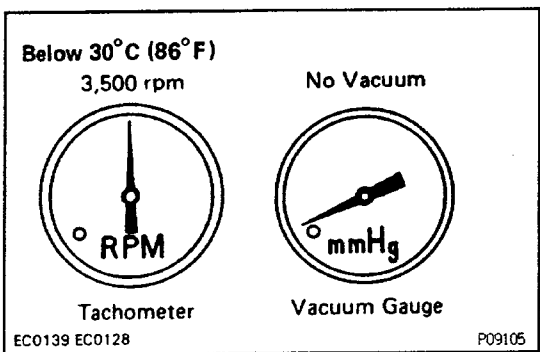


2. PREPARATION

Disconnect the vacuum hose from the EGR valve and, using a three way union, connect a vacuum gauge to it.

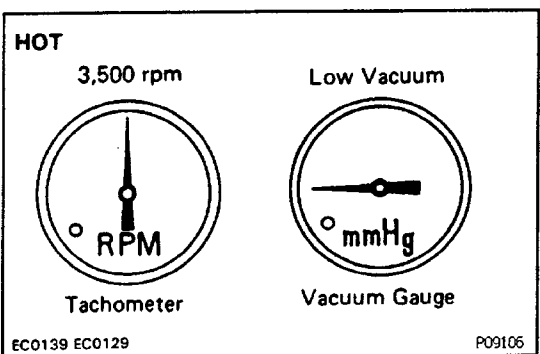
3. CHECK SEATING OF EGR VALVE

Start the engine and check that the engine starts and runs at idle.



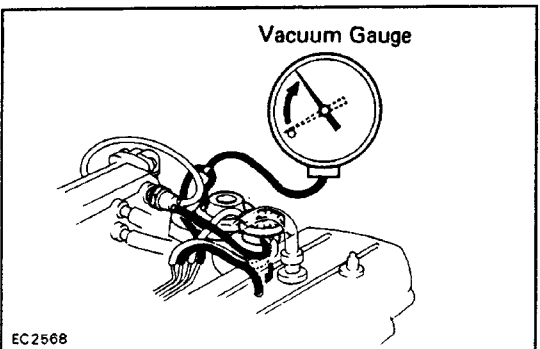
4. CHECK TVV WITH COLD ENGINE

- The coolant temperature should be below 30°C (86°F).
- Check that the vacuum gauge indicates zero at 3,500 rpm.



5. CHECK TVV AND EGR VACUUM MODULATOR WITH HOT ENGINE

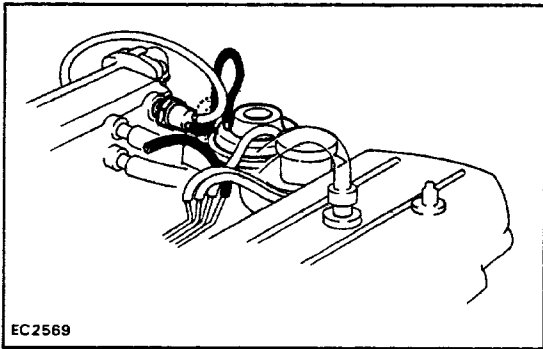
- Warm up the engine.
- Check that the vacuum gauge indicates low vacuum at 3,500 rpm.



- Disconnect the vacuum hose from R port of the EGR vacuum modulator and connect R port directly to the intake manifold with another hose.
- Check that the vacuum gauge indicates high vacuum at 3,000 rpm.

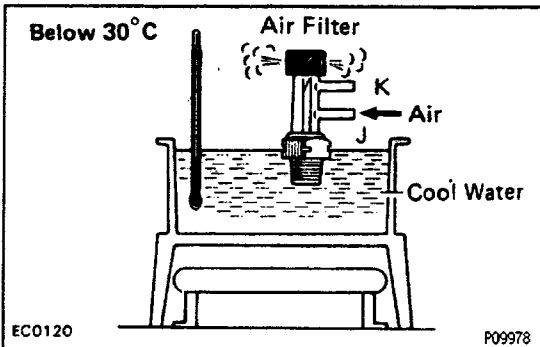
HINT: As a large amount of EGR gas enters, the engine will misfire slightly at this time.

- Disconnect the vacuum gauge and reconnect the vacuum hoses to the proper locations.



6. CHECK EGR VALVE

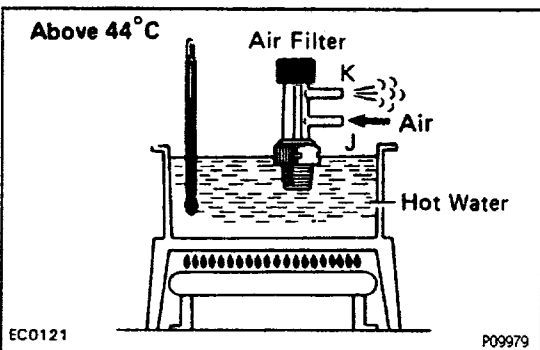
- Apply vacuum directly to the EGR valve with the engine idling.
 - Check that the engine runs rough or dies.
 - Reconnect the vacuum hoses to the proper locations.
- IF NO PROBLEM IS FOUND WITH THIS INSPECTION, THE SYSTEM IS OKAY; OTHERWISE INSPECT EACH PART**



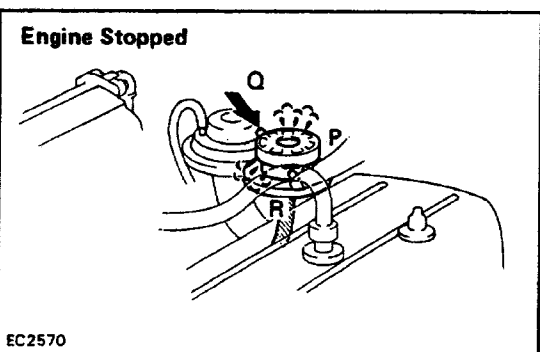
TVV INSPECTION

CHECK TVV BY BLOWING AIR INTO PIPE

- Drain the coolant from the radiator into a suitable container.
- Remove the TVV.
- Cool the TVV to below 30 •C(86•F).
- Check that the air flows from pipe J to the air filter.



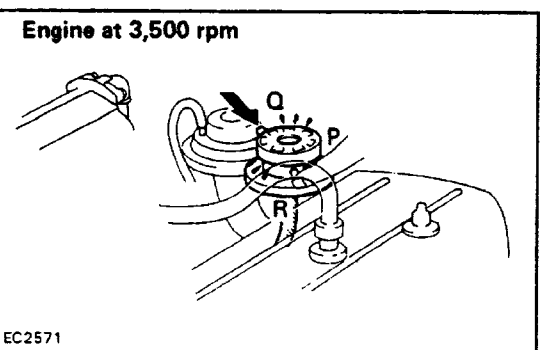
- Heat the TVV to above 44 •C(111 • F).
 - Check that the air flows from pipe J to pipe K.
 - Apply sealant to the threads of the TVV and reinstall.
- Sealant: Part No. 08833-00070, THREE BOND 1324 or equivalent**
- Fill the radiator with coolant.
- If a problem is found, replace the TVV.



EGR VACUUM MODULATOR INSPECTION

CHECK EGR VACUUM MODULATOR OPERATION

- Disconnect the vacuum hoses from ports, Q and R of the EGR vacuum modulator.
- Plug ports P and R with your finger.
- Blow air into Q. Check that the air passes through to the air filter side freely.
- Start the engine and maintain the speed at 3,500 rpm.



- Repeat the above test. Check that there is a strong resistance to air flow.
- Reconnect the vacuum hoses to the proper locations.

EGR VALVE INSPECTION

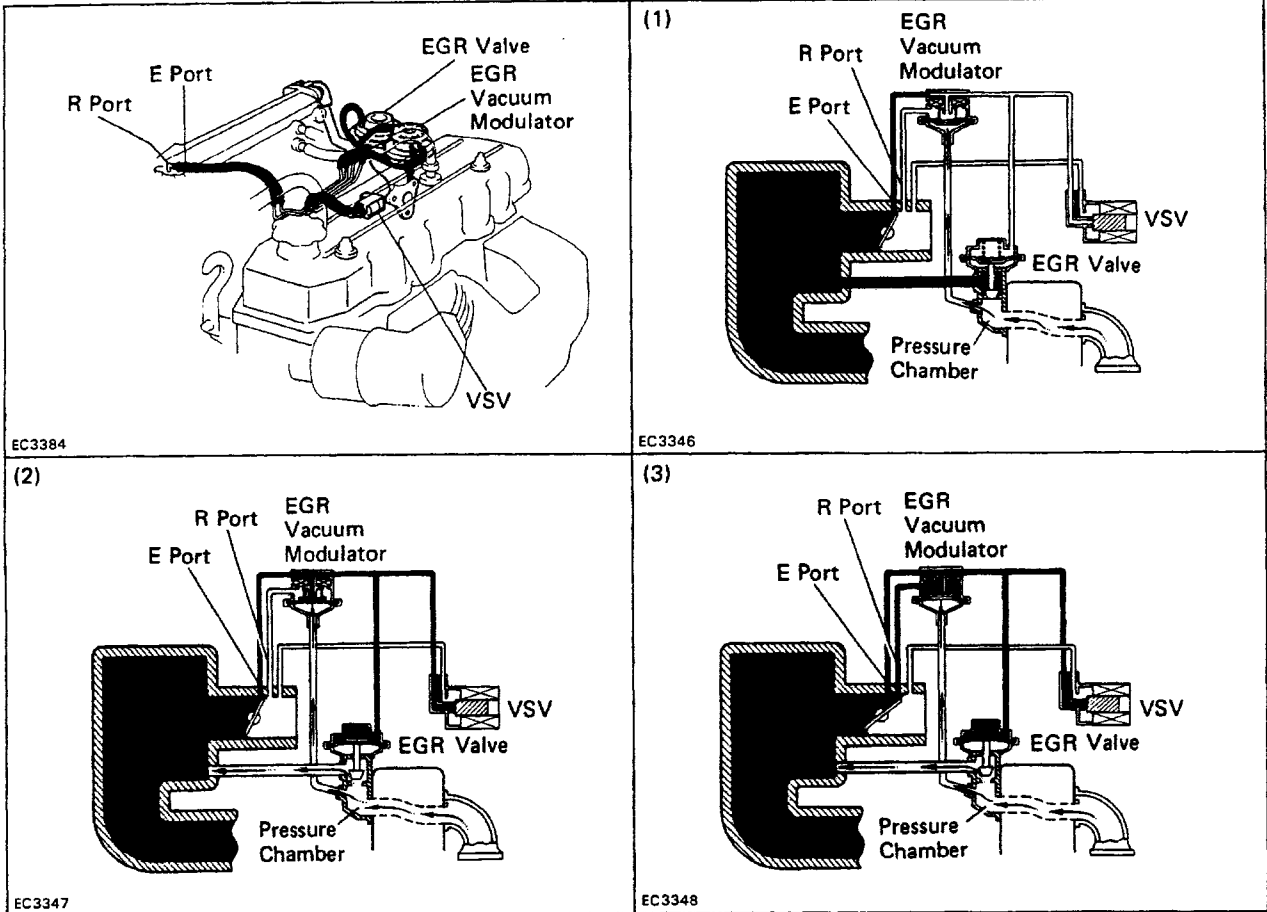
1. REMOVE EGR VALVE

Check the valve for sticking and heavy carbon deposits. If a problem is found, replace it.

2. INSTALL EGR VALVE WITH NEW GASKET

EXHAUST GAS RECIRCULATION (EGR) SYSTEM (Calif.)

EG1WM-01

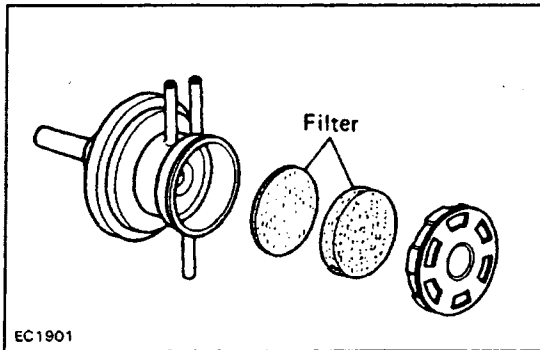


To reduce NOx emission, part of the exhaust gases are recirculated through the EGR valve to the intake manifold to lower the maximum combustion temperature.

Coolant Temp.	Driving Condition	VSV	Throttle Valve Opening Angle	Pressure in the EGR Valve Pressure Chamber	EGR Vacuum Modulator	EGR Valve	Exhaust Gas	
Below 34°C (93°F)	—	ON	—	—	—	CLOSED	Not recirculated	
Above 40°C (104°F)	Low load	ON	—	—	—	CLOSED	Not recirculated	
	Heavy load, etc.	OFF	Positioned below E port	—	—	CLOSED	Not recirculated	
			Positioned between E port and R port	(1) LOW	*Pressure constantly alternating between low and high	OPENS passage to atmosphere	CLOSED	Not recirculated
				(2) HIGH	**	CLOSES passage to atmosphere	OPEN	Recirculated
Positioned above R port	(3) HIGH	**	CLOSES passage to atmosphere	OPEN	Recirculated (increase)			

Remarks: * Pressure increases → Modulator closes → EGR valve opens → Pressure drops → EGR valve closes ← Modulator opens ←

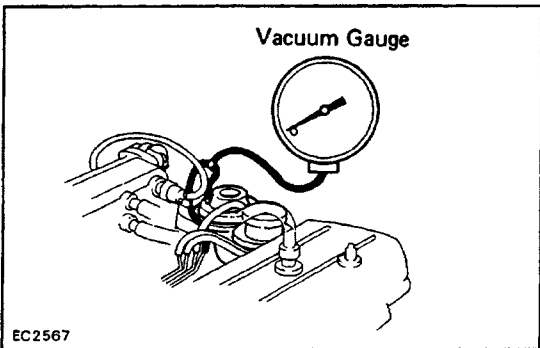
**When the throttle valve is positioned above the R port, the EGR vacuum modulator will close the atmosphere passage and open the EGR valve to increase the EGR gas, even if the exhaust pressure is insufficiently low.



EGR SYSTEM INSPECTION

1. CHECK AND CLEAN FILTER IN EGR VACUUM MODULATOR

- Check the filter for contamination or damage.
- Using compressed air, clean the filter.

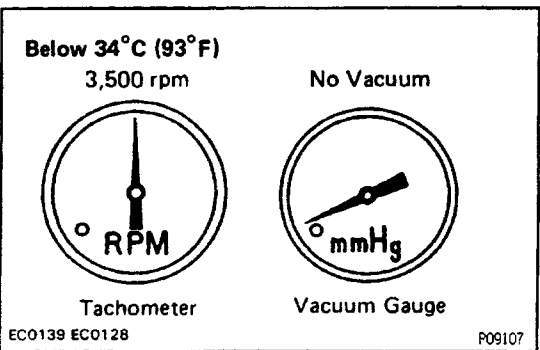


2. PREPARATION

Disconnect the vacuum hose from the EGR valve, and using a three way union, connect a vacuum gauge to it.

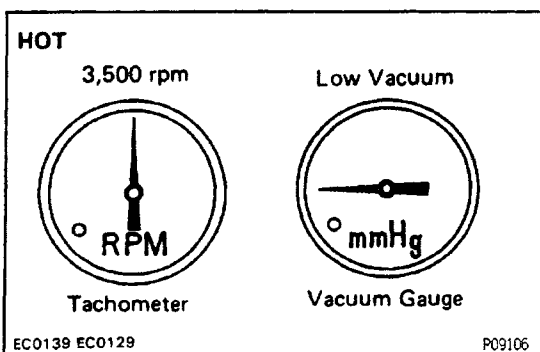
3. CHECK SEATING OF EGR VALVE

Start the engine and check that the engine starts and runs at idle.



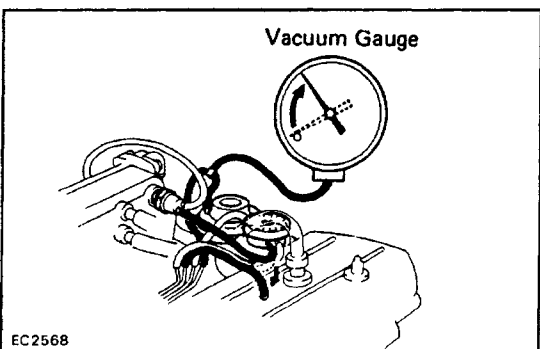
4. CHECK VSV WITH COLD ENGINE

- The coolant temperature should be below 34 °C (93 °F).
- Check that the vacuum gauge indicates zero at 3,500 rpm.



5. CHECK VSV AND EGR VACUUM MODULATOR WITH HOT ENGINE

- Warm up the engine.
- Check that the vacuum gauge indicates low vacuum at 3,500 rpm.

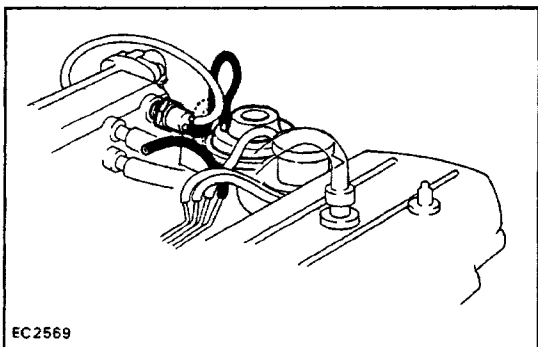


(c) Disconnect the vacuum hose from R port of the EGR vacuum modulator and connect R port directly to the intake manifold with another hose.

(d) Check that the vacuum gauge indicates high vacuum at 3,000 rpm.

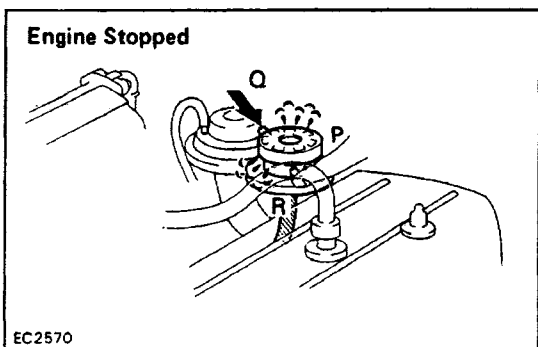
HINT: As a large amount of EGR gas enters, the engine will misfire slightly at this time.

(e) Disconnect the vacuum gauge and reconnect the vacuum hoses to the proper locations.



6. CHECK EGR VALVE

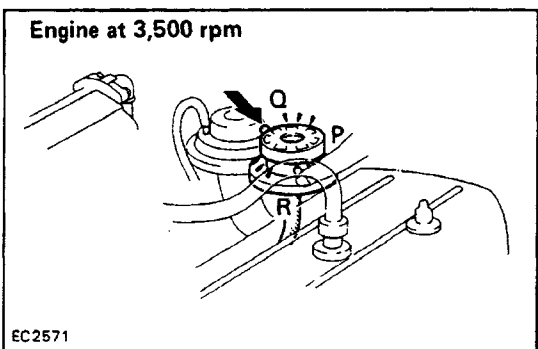
- (a) Apply vacuum directly to the EGR valve with the engine idling.
 - (b) Check that the engine runs rough or dies.
 - (c) Reconnect the vacuum hoses to the proper locations.
- IF NO PROBLEM IS FOUND WITH THIS INSPECTION, THE SYSTEM IS OKAY; OTHERWISE INSPECT EACH PART**



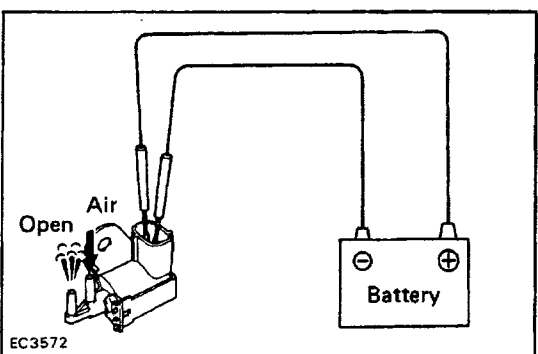
EGR VACUUM MODULATOR INSPECTION

CHECK EGR VACUUM MODULATOR OPERATION

- (a) Disconnect the two vacuum hoses from ports P, Q and R of the EGR vacuum modulator.
- (b) Plug ports P and R with your finger.
- (c) Blow air into port Q. Check that the air passes through to the air filter side freely.



- (d) Start the engine and maintain the speed at 3,500 rpm.
- (e) Repeat the above test. Check that there is a strong resistance to air flow.
- (f) Reconnect the vacuum hoses to the proper locations.

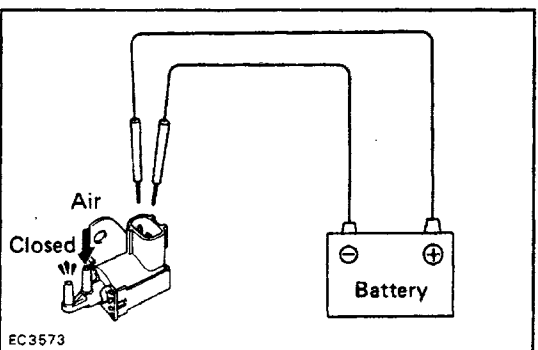


VSV INSPECTION

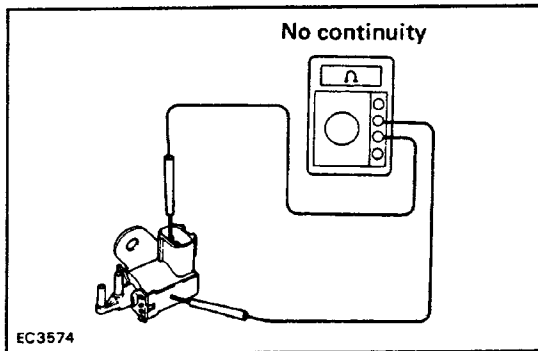
EG1WQ-01

1. CHECK VACUUM CIRCUIT CONTINUITY IN THE VSV BY BLOWING AIR INTO PIPE

- (a) Connect the VSV terminals to the battery terminals as illustrated.
- (b) Blow air into a pipe and check that the VSV is open.

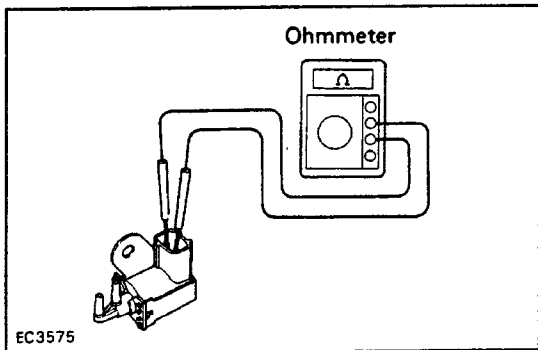


- (c) Disconnect the battery.
- (d) Blow air into a pipe and check that VSV is closed. If a problem is found, replace the VSV.



2. CHECK FOR SHORT CIRCUIT

Using an ohmmeter, check that there is no continuity between the terminals and the VSV body.



3. CHECK FOR OPEN CIRCUIT

Using an ohmmeter, measure the resistance between the terminals.

Specified resistance: 30 – 50 Ω at 20• C(68• F)

If the resistance is not within specification, replace the VSV.

EGR VALVE INSPECTION

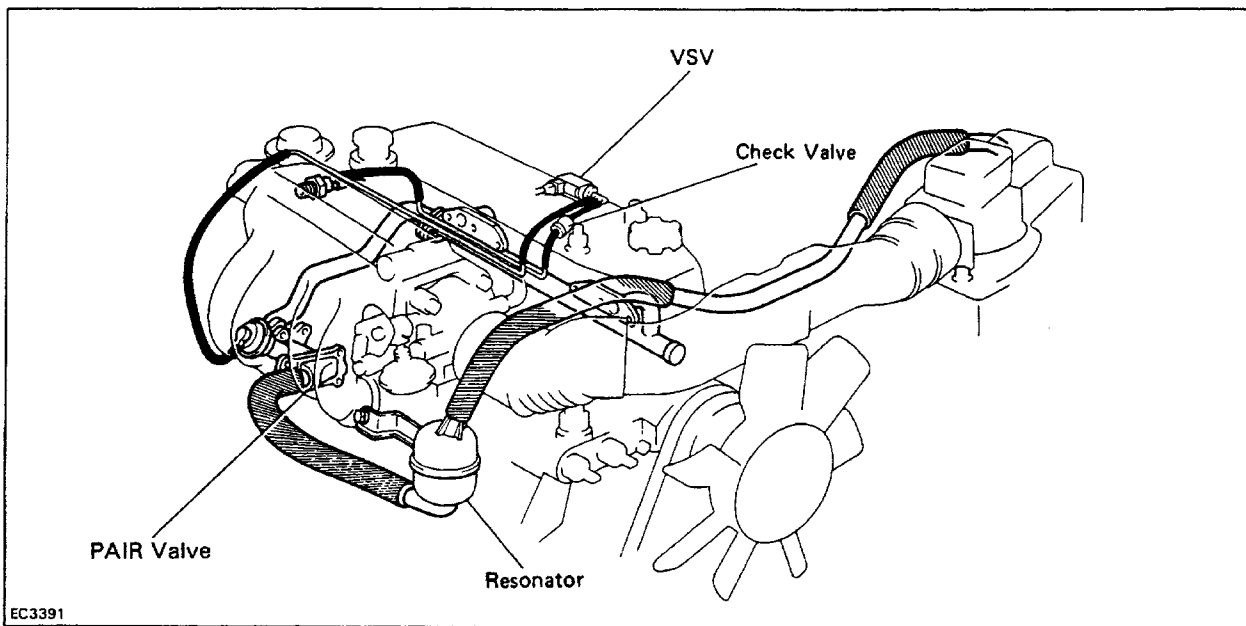
1. REMOVE EGR VALVE

Check the valve for sticking and heavy carbon deposits. If a problem is found, replace it.

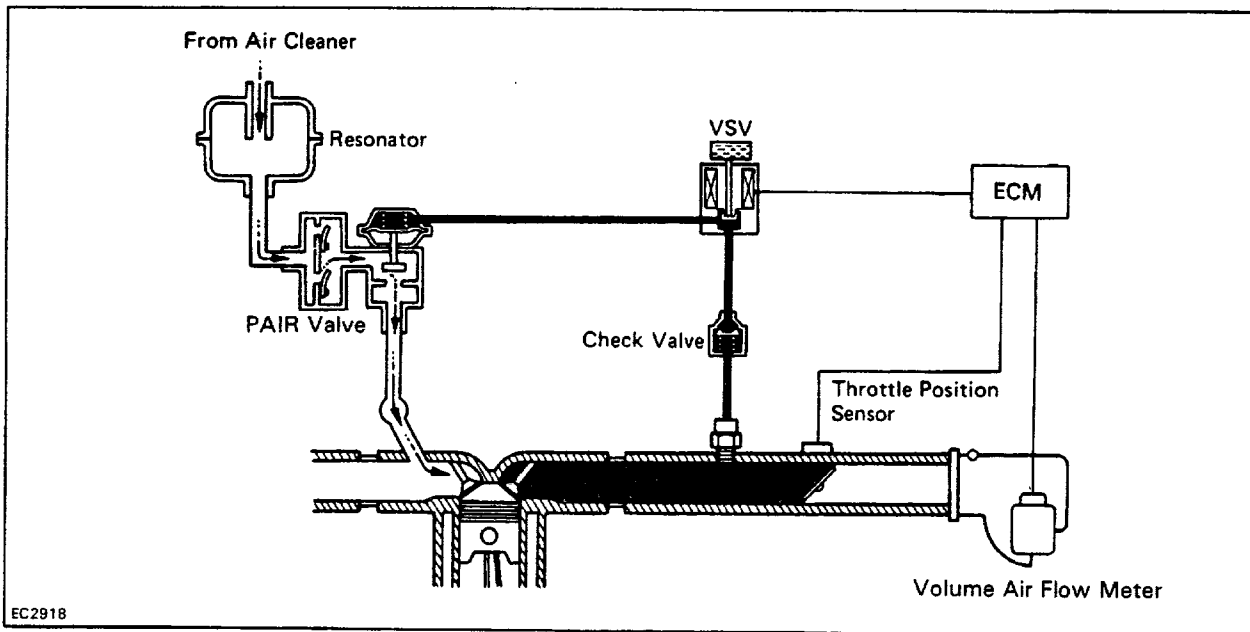
2. INSTALL EGR VALVE WITH NEW GASKET

PULSED SECONDARY AIR INJECTION (PAIR) SYSTEM

EG1W8-01



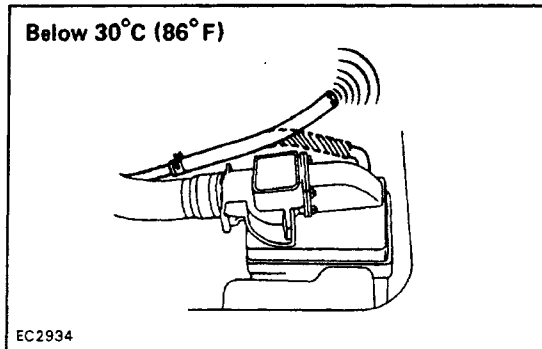
EC3391



EC2918

To reduce HC and CO emissions, this system draws in air into exhaust ports to accelerate oxidation, using vacuum generated by the exhaust pulsation in the exhaust manifold.

Condition	Coolant Temp.	Throttle valve position	Vehicle speed	Engine RPM	vsv	PAIR
Normal driving	Below 30°C (86°F)			Below 3,600 rpm	ON	ON
				Above 3,600 rpm	OFF	OFF
Deceleration	Above 40°C (104°F)	Idling	Below 4 km/h (2 mph)	Below 1,000 rpm	OFF	OFF
				Above 1,000 rpm	ON	ON
			Above 4 km/h (2 mph)	Below 1,000 rpm	ON	ON
				Above 1,000 rpm	ON	ON

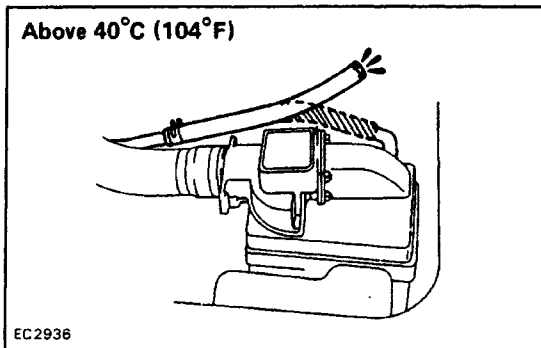


PAIR SYSTEM INSPECTION

1. VISUALLY CHECK HOSES AND TUBES FOR CRACKS, KINKS, DAMAGE OR LOOSE CONNECTIONS

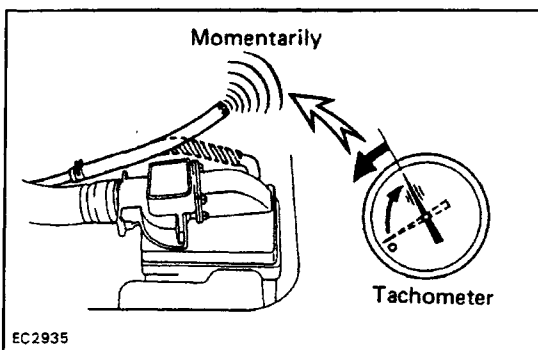
2. CHECK PAIR SYSTEM WITH COLD ENGINE

- (a) The coolant temperature should be below 30°C (86°F).
- (b) Disconnect the NO.1 PAIR hose from the air cleaner case.
- (c) Check that a bubbling noise is heard from the NO.1 PAIR hose at idle.

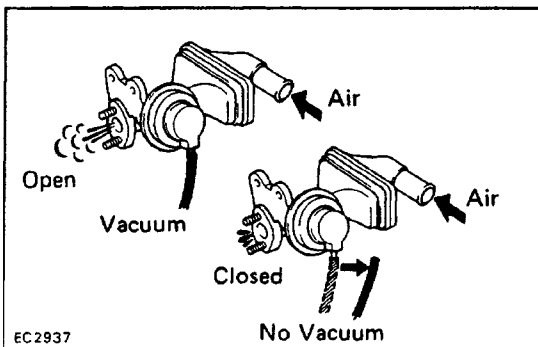


3. CHECK PAIR SYSTEM WITH WARM ENGINE

- (a) Warm up the engine to above 40°C (104°F).
- (b) With the engine idling, check that a bubbling noise is not heard from the NO. 1 hose.



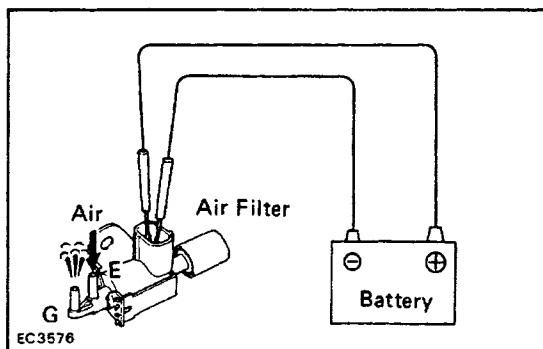
- (c) Race the engine and quickly close the throttle valve. Check that a bubbling noise stops momentarily.



PAIR VALVE INSPECTION

CHECK PAIR VALVE BY BLOWING AIR INTO PIPE

- (a) Apply vacuum to the pair valve diaphragm.
- (b) Blow air into a pipe and check that the pair valve is closed.
- (c) Release the vacuum and check that the pair valve is closed.

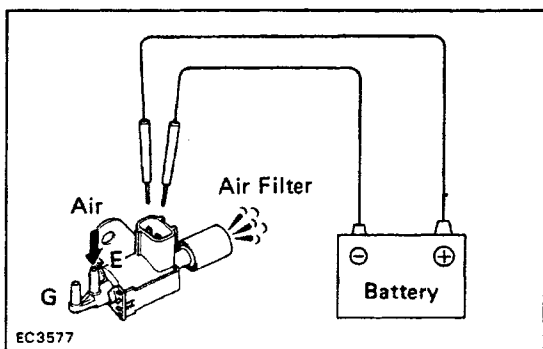


VSV INSPECTION

1. CHECK VACUUM CIRCUIT CONTINUITY IN VSV BY BLOWING AIR INTO PIPE

(a) Connect the VSV terminals to the battery terminals as illustrated.

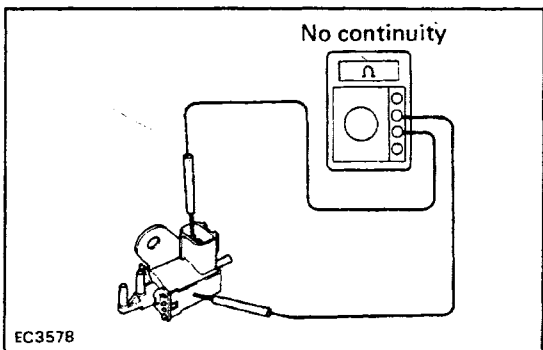
(b) Blow air into pipe E and check that air comes out of pipe G.



(c) Disconnect the battery.

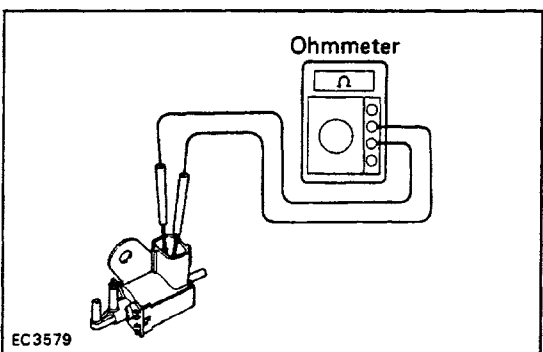
(d) Blow air into pipe E and check that air comes out of air filter.

If a problem is found, repair the VSV.



2. CHECK FOR SHORT CIRCUIT

Using an ohmmeter, check that there is no continuity between the terminal and the VSV body. If there is continuity, replace the VSV. -

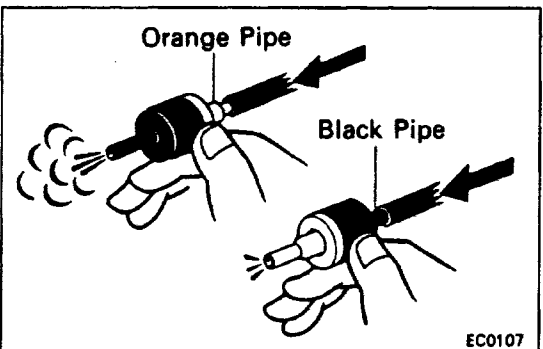


3. CHECK FOR OPEN CIRCUIT

Using an ohmmeter, measure the resistance between the terminals as shown.

Specified resistance: 30-50 Ω at 20°C (68°F)

If the resistance is not within specification, replace the VSV.



CHECK VALVE INSPECTION

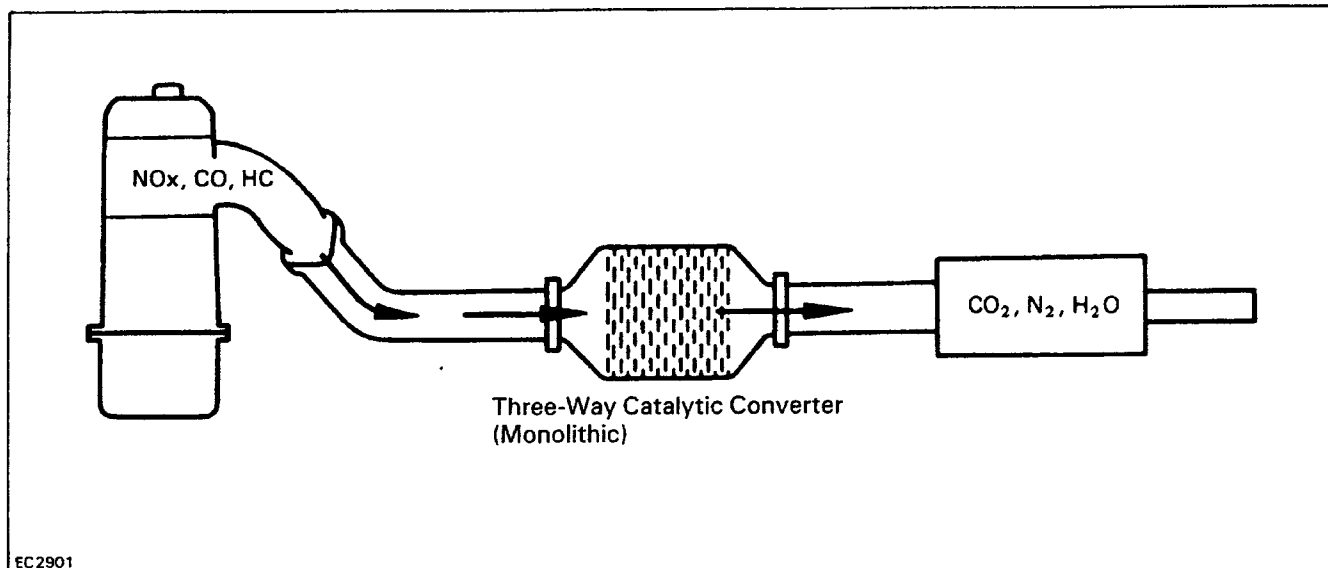
CHECK VALVE BY BLOWING AIR INTO EACH PIPE

(a) Check that air flows from the orange pipe to the black pipe.

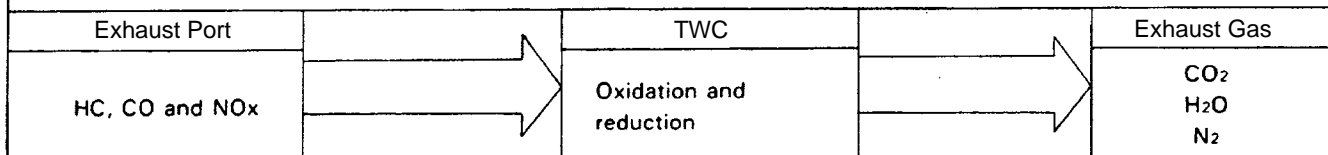
(b) Check that air does not flow from the black pipe to the orange pipe.

THREE-WAY CATALYTIC CONVERTER (TWC) SYSTEM

EG1WX-01



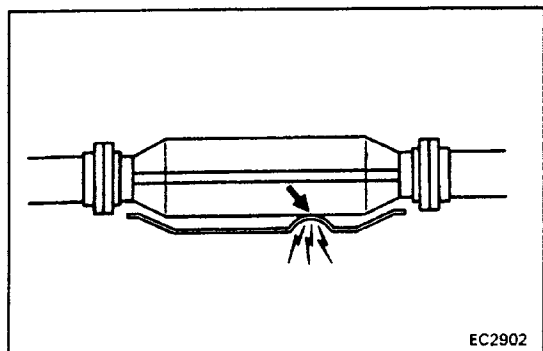
To reduce HC, CO and NO_x emissions, they are oxidized, reduced and converted to nitrogen (N₂), carbon dioxide (CO₂) and water (H₂O) by the catalytic converter.



V01777

EXHAUST PIPE ASSEMBLY INSPECTION

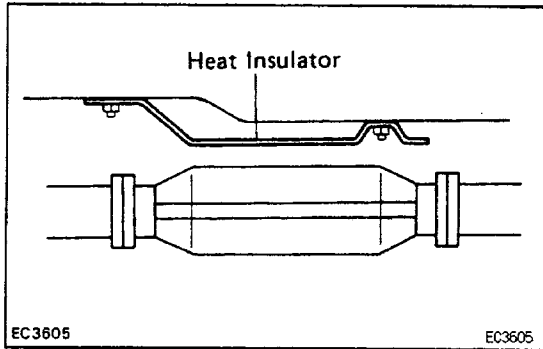
1. CHECK CONNECTIONS FOR LOOSENESS OR DAMAGE
2. CHECK CLAMPS FOR WEAKNESS, CRACKS OR DAMAGE



EG1WZ-01

CATALYTIC CONVERTER INSPECTION CHECK FOR DENTS OR DAMAGE

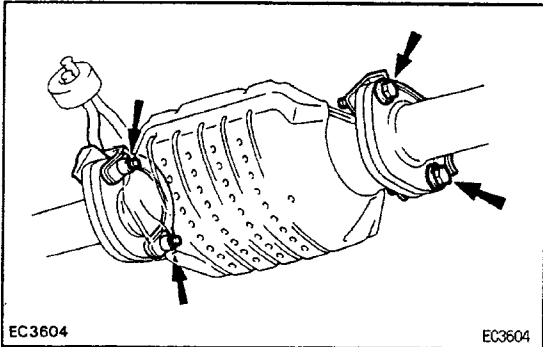
If any part of the protector is damaged or dented to the extent that it contacts the catalytic converter, repair or replace it.



HEAT INSULATOR INSPECTION

EG1X0-01

1. CHECK HEAT INSULATOR FOR DAMAGE
2. CHECK FOR ADEQUATE CLEARANCE BETWEEN CATALYTIC CONVERTER AND HEAT INSULATOR



CATALYTIC CONVERTER REPLACEMENT

1. REMOVE CONVERTER

- (a) Jack up the vehicle.
- (b) Check that the converter is cool.
- (c) Remove the bolts at the front and rear of the converter.
- (d) Remove the converter and gaskets.

2. INSTALL CONVERTER

- (a) Place new gaskets on the converter front and rear pipes, and connect the converter to the exhaust pipes.
- (b) Torque the bolts.

Torque: Catalytic converter-Exhaust pipe

39 N-m (400kgf-cm, 29ft-lbf)

- (c) Reinstall the bracket bolts and tighten them.

SERVICE SPECIFICATIONS TORQUE SPECIFICATIONS

EG1X2-01

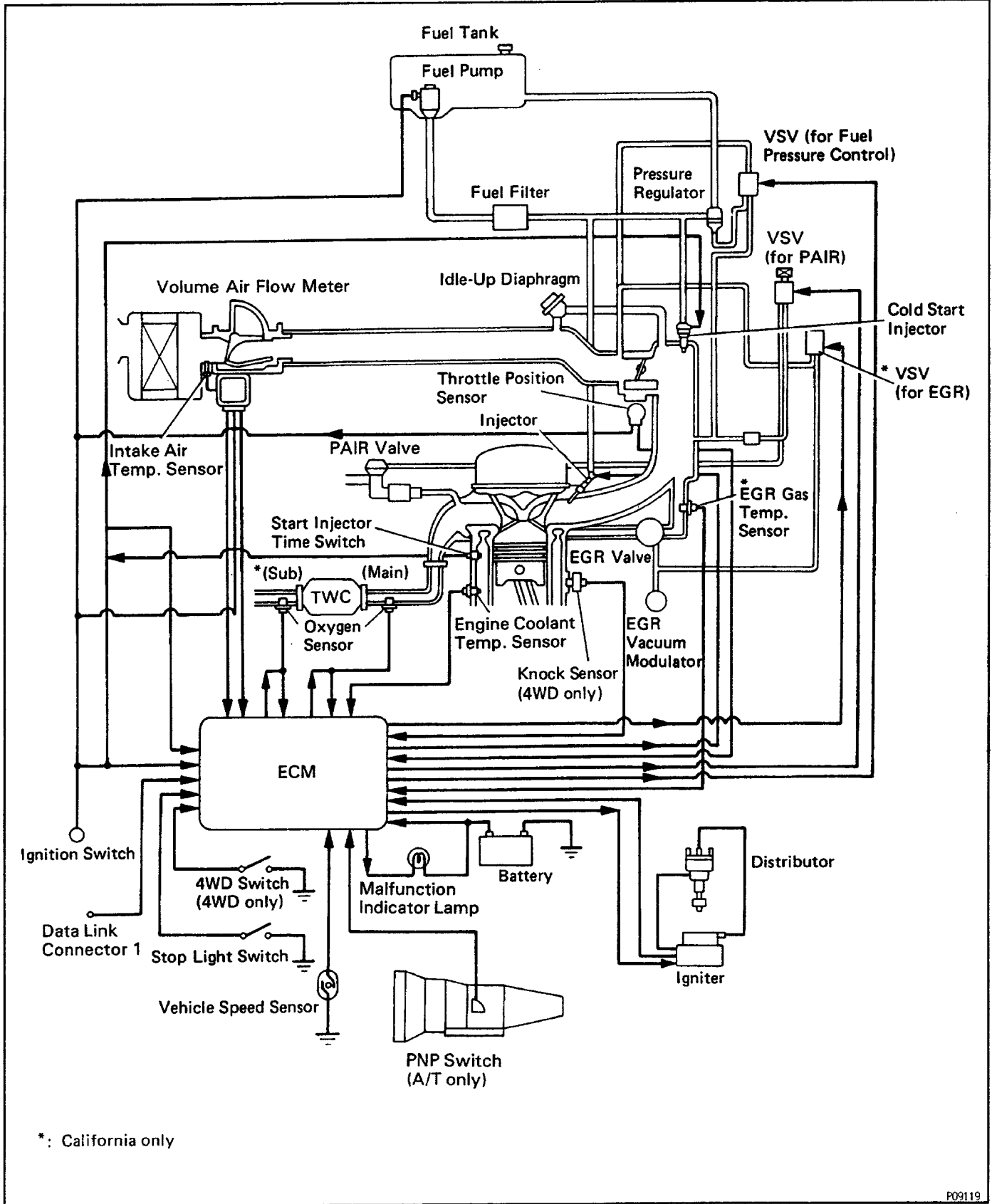
Part tightened

	N-m	kgf-cm	ft-lbf
Cylinder Head x EGR Valve			
Air Intake Chamber x EGR Pipe	13	130	9
Intake Manifold x PAIR Reed Valve	13	130	9
No. 1 Air Injection Manifold x PAIR Reed Valve	13	130	9
	13	130	9

MFI SYSTEM

DESCRIPTION

EG1X9-01



*: California only

The MFI system is composed of three basic subsystems: Fuel, Air Induction and Electronic Control Systems.

FUEL SYSTEM

An electric fuel pump supplies sufficient fuel, under a constant pressure, to the MFI injectors. In accordance with signals from the ECM, these injectors inject the most appropriate quantity of fuel for the engine condition into the intake manifold.

Each injector injects, at the same time, one half of the fuel required for ideal combustion with each engine revolution.

AIR INDUCTION SYSTEM

The air induction system provides just the right amount of air for the engine operating condition.

ELECTRONIC CONTROL SYSTEM

The 22R-E engine is equipped with a Toyota Computer Controlled System (TCCS) which centrally controls the MFI, ESA, A/T (4WD), diagnosis systems, etc. by means of an Engine Control Module (ECM, formerly the MFI computer) employing a microcomputer.

By means of the ECM, the TCCS controls the following functions:

1. Multiport Fuel Injection (MFI)

The receives signals from various sensors indicating changing engine operating conditions such as: Intake air volume

Intake air temperature

Coolant temperature

Engine rpm

Acceleration/deceleration

Exhaust oxygen content etc.

These signals are utilized by the ECM to determine the injection duration necessary for an optimum air-fuel ratio.

2. Electronic Spark Advance (ESA)

The ECM is programmed with data for optimum ignition timing under all operating conditions various engine functions (RPM, intake air volume, coolant temperature etc.), the microcomputer (ECM) triggers the spark at precisely the right instant. .

3. Diagnosis Function

When the ECM detects malfunction or abnormalities in the sensor network, it lights the Mal-function Indicator Lamp in the combination meter. At the same time, the trouble is identified and a diagnostic trouble code is recorded by the ECM. The diagnostic trouble code can be read by the number of blinks of the malfunction Indicator lamp when terminals TE1 and E1 are connected. The diagnostic trouble codes are explained on pages [EG1-114](#),115.

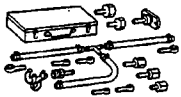
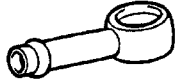

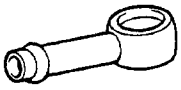




4. Fail-Safe Function

In the event of a sensor malfunction, a backup circuit will take over to provide minimal drivability, and the Malfunction Indicator Lamp will light up.

PREPARATION




EGOCF-08

SST (SPECIAL SERVICE TOOLS)

	<p>09268-41045 Injection Measuring Tool Set</p>	
	<p>(09268-41080) No.6 Union</p>	
	<p>(09268-52010) Injection Measuring Attachment</p>	
	<p>(90405-09015) No.1 Union</p>	
	<p>09268-45012 EFI Fuel Pressure Gauge</p>	
	<p>09631-22020 Power Steering Hose Nut 14 x 17 mm Wrench Set</p>	<p>Fuel line flare nut</p>
	<p>09842-30070 Wiring "F" EFI Inspection</p>	
	<p>09843-18020 Diagnosis Check Wire</p>	

EGOCG-03

RECOMMENDED TOOLS

	<p>09082-00015 TOYOTA Electrical Tester</p>	
	<p>09200-00010 Engine Adjust Kit</p>	
	<p>09258-00030 Hose Plug Set</p>	<p>Plug for the vacuum hose, fuel hose etc.</p>

EQUIPMENT

Graduated cylinder	Injector
Carburetor cleaner	Throttle body
Sound scope	Injector
Tachometer	
Torque wrench	
Vacuum gauge	
Soft brush	Throttle body

PRECAUTIONS

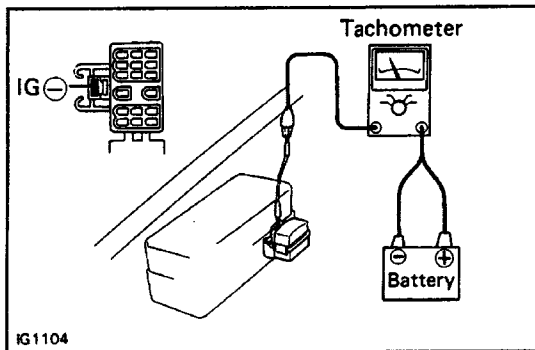
1. Before working on the system, disconnect the negative terminal from the battery.

HINT: Any diagnostic trouble code retained by the computer will be erased when the battery terminal is removed.

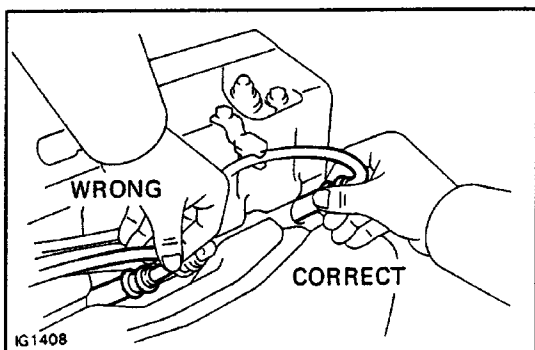
Therefore, if necessary, read the diagnosis before removing the battery terminal.

2. Do not smoke or work near an open flame when working on the fuel system.

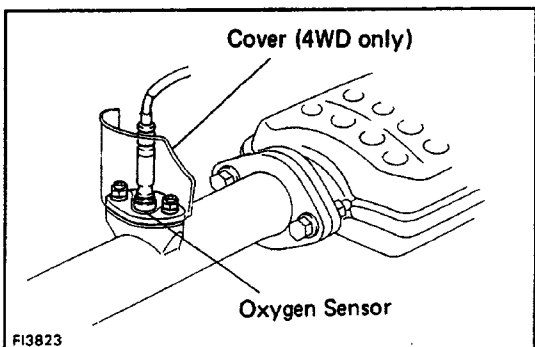
3. Keep gasoline away from rubber or leather parts.



IG1104



IG1408



F13823

MAINTENANCE PRECAUTIONS

EG1X5-01

1. CHECK CORRECT ENGINE TUNE-UP

2. PRECAUTION WHEN CONNECTING GAUGE

(a) When a tachometer is connected to the system, connect the tachometer test probe to the IG(-) terminal of the DLC1.

(b) Use the battery as the power source for the timing light, tachometer, etc.

3. IN EVENT OF ENGINE MISFIRE, THE FOLLOWING PRECAUTIONS SHOULD BE TAKEN

(a) Check proper connection of battery terminals, etc.

(b) Handle high-tension cords carefully.

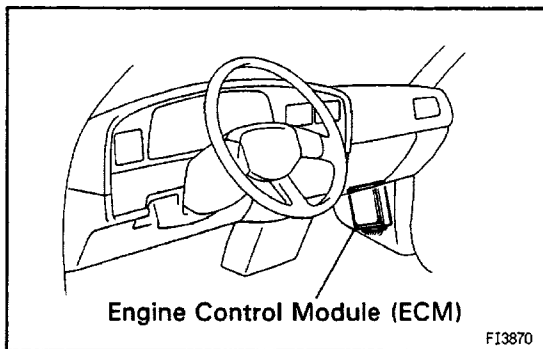
(c) After repair work, check that the ignition coil terminals and all other ignition system lines are reconnected securely.

(d) When cleaning the engine compartment, be especially careful to protect the electrical system from water.

4. PRECAUTIONS WHEN HANDLING OXYGEN SENSOR

(a) Do not allow the oxygen sensor to drop or hit against an object.

(b) Do not allow the sensor to come into contact with water.



IF VEHICLE EQUIPPED WITH A MOBILE RADIO SYSTEM (HAM, CB, ETC.)

The ECM is designed so that it will not be affected outside interference.

However, if your vehicle is equipped with an amateur radio transceiver, etc. (even one with about 10 W output), it may, at times, have an effect upon ECM operation, especially if the antenna and feeder are installed nearby. Therefore, observe the following precautions:

(a) Install the antenna as far away as possible from the ECM. The ECM is located in the right side kick panel so the antenna should be installed at the rear, left side of the vehicle.

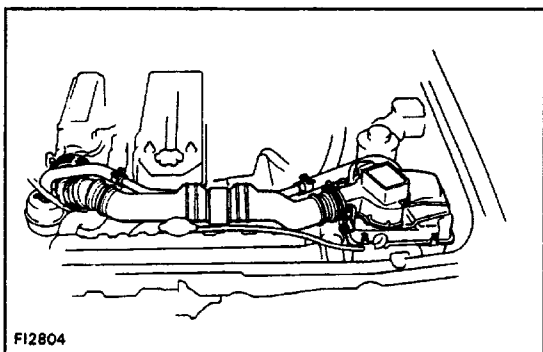
If installing on the bumper, do so on the right side, if possible.

(b) Keep the antenna feeder as far away as possible from the ECM wires – at least 20 cm (7.87 in.) – and, especially, do not wind them together.

(c) Check that the feeder and antenna are properly adjusted.

(d) Do not equip your vehicle with a powerful mobile radio system.

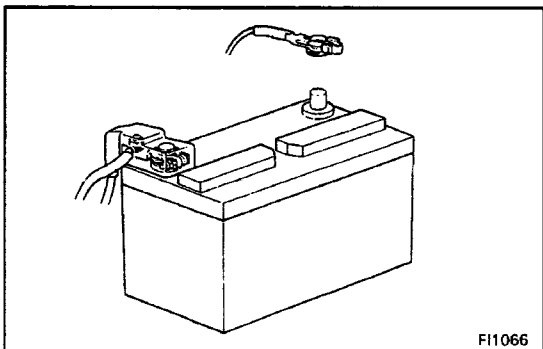
(e) Do not open the cover or the ECM unless absolutely necessary. (If the terminals are touched, the IC may be destroyed by static electricity.)



AIR INDUCTION SYSTEM

EG1X7-01

1. Separation of the engine oil dipstick, oil filler cap, PCV hose, etc. may cause the engine to run out of tune.
2. Disconnection, looseness or cracks in the parts of the air induction system between the air flow meter and cylinder head will cause air suction and cause the engine to run out of tune.

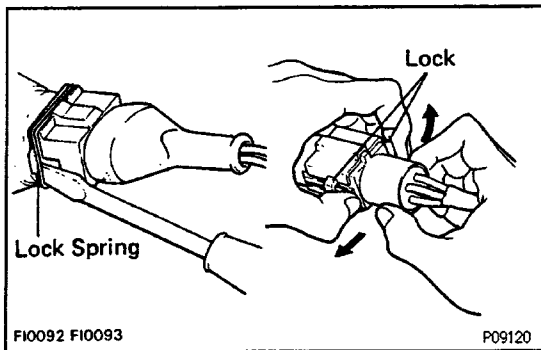


ELECTRONIC CONTROL SYSTEM

EG1X8-01

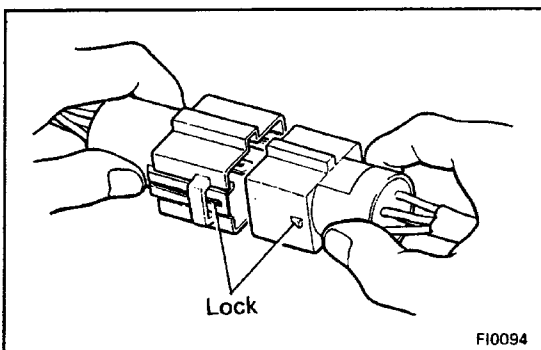
1. Before removing MFI wiring connectors, terminals, etc., first disconnect power by either turning the ignition switch OFF or disconnecting the battery terminals.
2. When installing a battery, be especially careful not to incorrectly connect the positive and negative cables.

3. Do not permit parts to receive a severe impact during removal or installation. Handle all MFI parts carefully especially the ECM.
4. Take great care during troubleshooting as there are numerous transistor circuits and even slight terminal contact can cause further troubles.
5. Do not open the ECM cover.
6. When inspecting during rainy weather, take care to prevent entry of water. Also, when the engine compartment, prevent water from getting on the MFI parts and wiring connectors.
7. Parts should be replaced as an assembly.

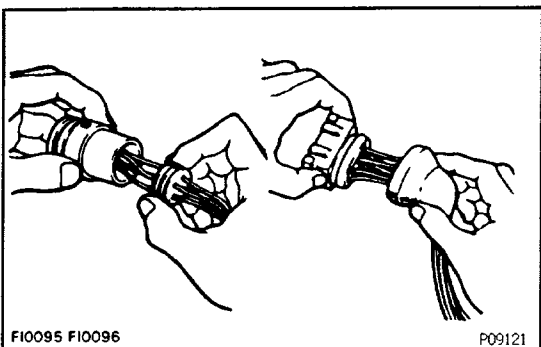


8. Sufficient care is required when pulling out and inserting wiring connectors.

- (a) To pull the connector out, release the lock and pull on the connector.

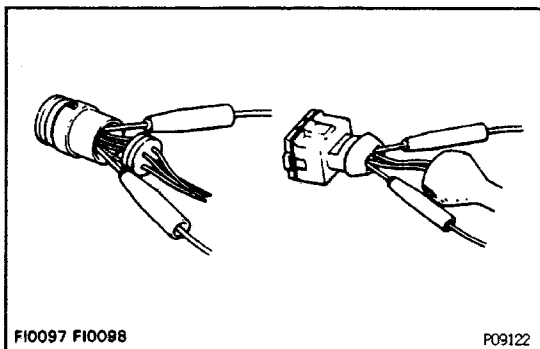


- (b) Fully insert the connector and check that it is locked.



9. When inspecting a connector with a volt/ohmmeter.

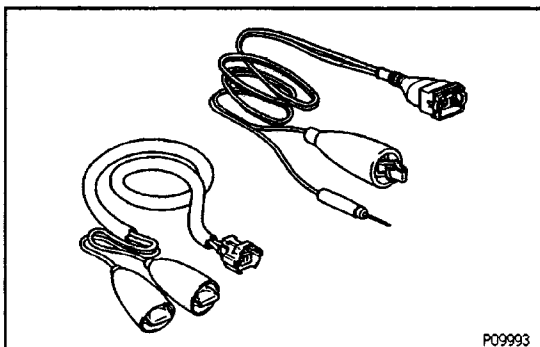
- (a) Carefully take out the water-proofing rubber if it is a water-proof type connector.



(b) Insert tester probe into the connector from the wiring side when checking the continuity, amperage or voltage.

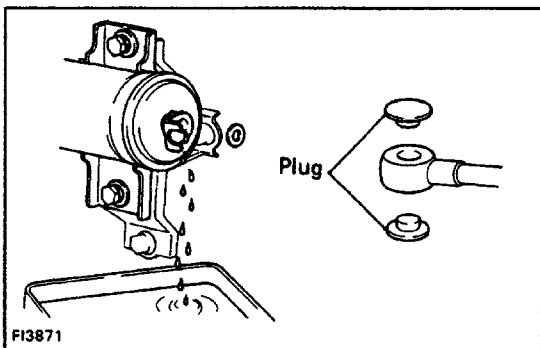
(c) Do not apply unnecessary force to the terminal.

(d) After the check, securely install the water-proofing rubber on the connector.



10. Use SST for inspection or testing of the injector, cold start injector or their wiring connectors.

SST 09842 - 30050 and 09842 - 30070



FUEL SYSTEM

EG1X0-01

1. When disconnecting the connection of the high fuel pressure line, a large amount of gasoline may come out so observe the following procedure:

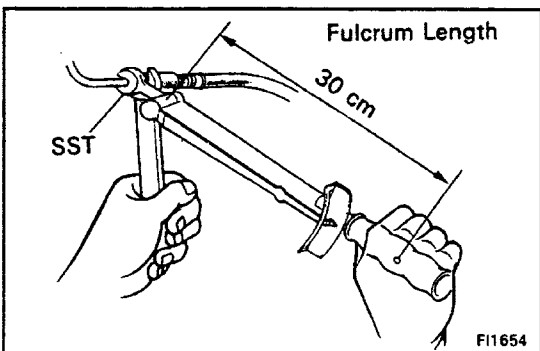
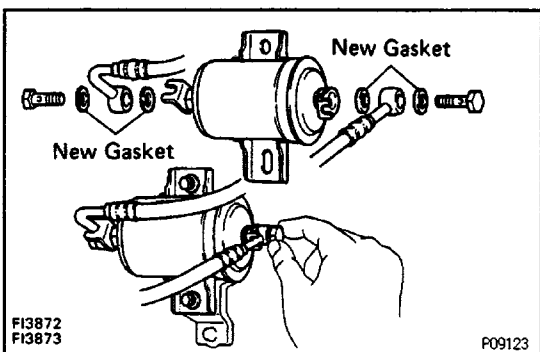
- Put a container under the connection.
- Slowly loosen the connection.
- Disconnect the connection.
- Plug the connection with a rubber plug.

2. When connecting the flare nut or union bolt on the high pressure pipe union, observe the following procedure:

(Union bolt type)

- always use a new gasket.
- Tighten the union bolt by hand.
- Torque the bolt to the specified torque.

Torque: 30 N-m (310 kgf-cm, 22 ft-lbf)



(Flare nut type)

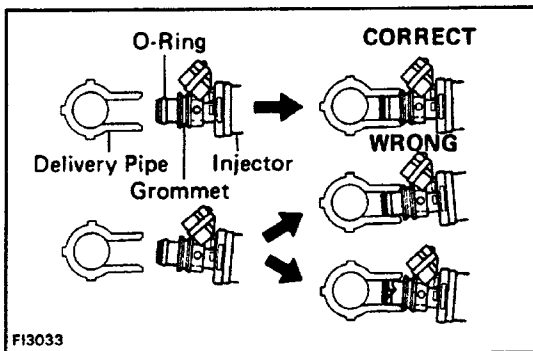
(a) Apply a light coat of engine oil to the flare and tighten the flare nut by hand.

(b) Then using SST, tighten the nut to the specified torque.

SST 09631-22020

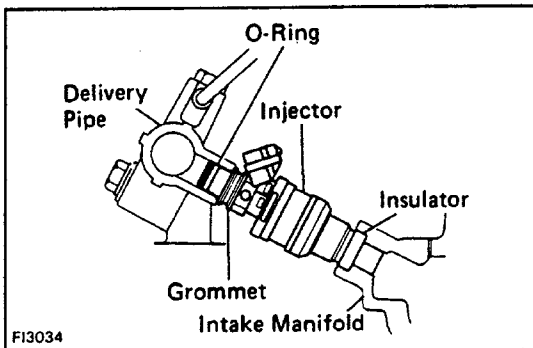
Torque: 27 N-m (280 kgf-cm, 20 ft-lbf)

HINT: use a torque with a fulcrum length of 30 cm (11.81 in.).

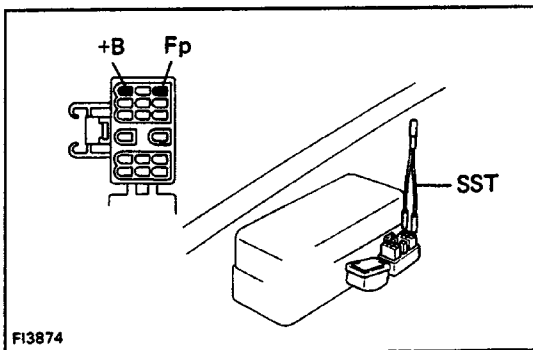


3. Take the following precautions when removing and installing the injectors.

- Never re-use the O-ring.
- When placing a new O-ring on the injector, take care not to damage it in any way.
- Lubricate the O-ring spindle oil or gasoline before installing – never use engine, gear or brake oil.



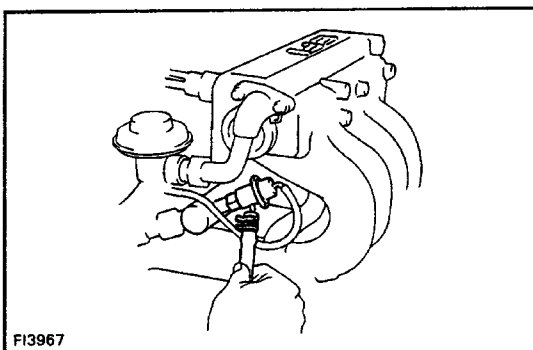
4. Install the injector to the delivery pipe and intake manifold as shown in the illustration.



5. Check that there are no fuel leaks after performing any maintenance on the fuel system.

- With engine stopped, turn the ignition switch On.
- Using SST, connect terminals Fp and B of the DLC1. SST 09843-18020

HINT: The DLC1 is located near the No. 2 relay block.



- When the pressure regulator fuel return hose (shown in the illustration at left), is pinched, the pressure within the high pressure line will rise to approx. 392 kPa (4 kgf/cm², 57 psi). In this state, check to see that there are no leaks from any part of the fuel system.

NOTICE: Always pinch the hose. Avoid bending the hose as it may cause the hose to crack.

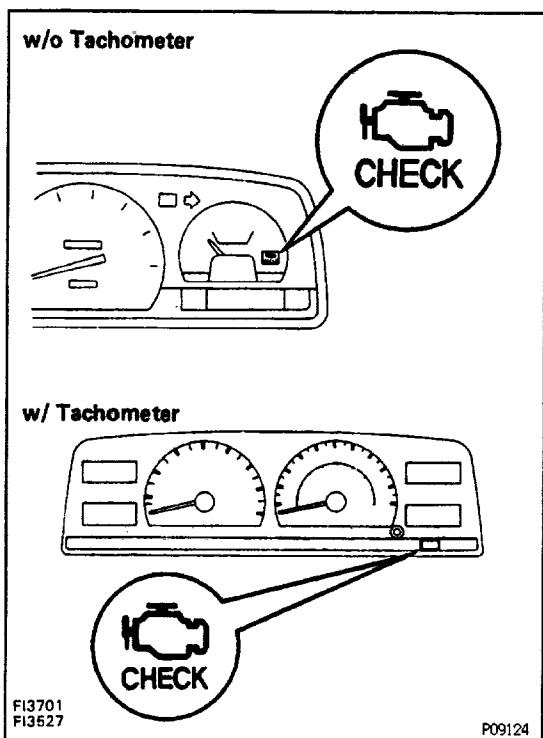
DIAGNOSIS SYSTEM DESCRIPTION

EG1XA-01

The ECM contains a built-in self-diagnosis system which detects troubles within the engine signal network and flashes the Malfunction Indicator Lamp in the combination meter.

By analyzing various signals shown in the table (See pages EG1-114, 115) the detects system malfunctions which are related to the various operating parameter sensors or to the actuator.

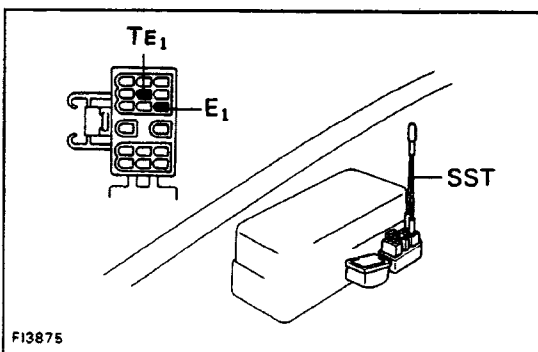
The ECM stores the failure code associated with the detected failure until the diagnosis system is cleared by removing the EFI fuse with the ignition switch off. The malfunction Indicator Lamp in the combination meter informs the driver that a malfunction has been detected. The light goes automatically when the malfunction has been corrected.



MALFUNCTION INDICATOR LAMP

EG1XB-01

1. The Malfunction Indicator Lamp will come on when the ignition switch is placed at On and the engine is not running.
 2. When the engine is started, the Malfunction Indicator Lamp should go off.
- If the light remains on, the diagnosis system has detected a malfunction or abnormality in the system.



DIAGNOSTIC TROUBLE CODES OUTPUT

To obtain an output of diagnostic trouble codes, proceed as follows:

1. Initial conditions

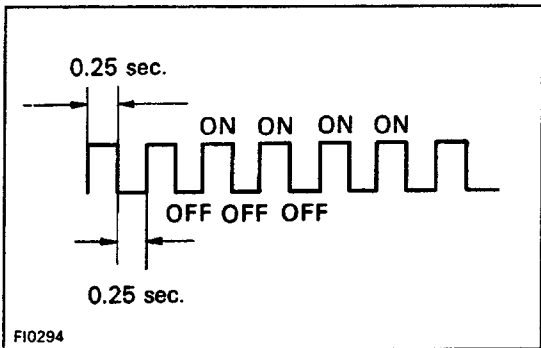
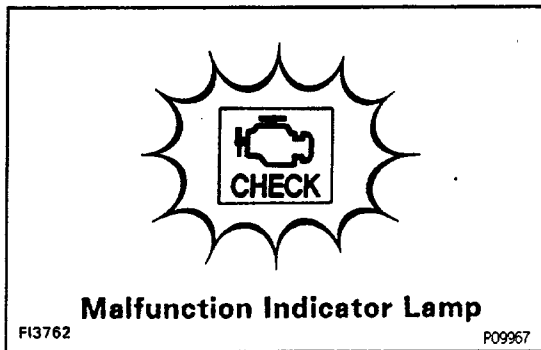
- (a) Battery voltage 11 volts or more.
- (b) Throttle valve fully closed (throttle position sensor IDL points closed).
- (c) Transmission in neutral range.

- (d) Accessories switched OFF.
 (e) Engine at normal operating temperature.
2. Turn the ignition switch ON. Do not start the engine.
3. Using SST, connect terminals TE, and E, of the DLC

1.
 SST 09843-18020

HINT: The DLC1 is located near the No. 2 relay block.

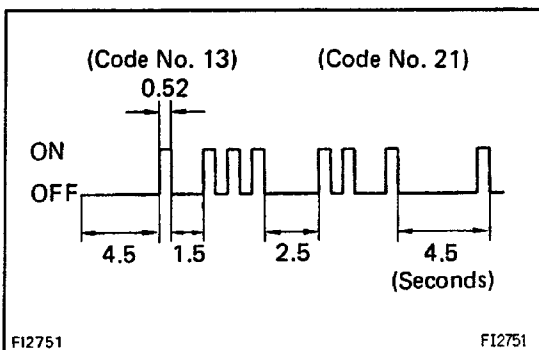
- 4. Read the diagnostic trouble code as indicated by the number of flashes of the Malfunction Indicator Lamp.**



Diagnostic trouble code (See page [EG1-114](#) and 115)

- (a) Normal System Operation

The lamp will blink 2 times per second.

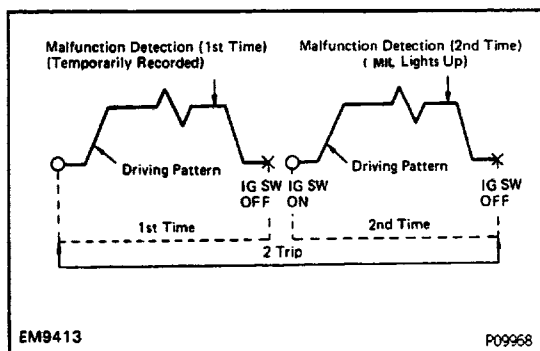


- (b) Malfunction Code Indication

- The lamp will blink a number of times equal to the malfunction code with pauses as follows: 1. Between the first digit and second digit, 1.5 seconds. 2. Between code and code, 2.5 seconds. 3. Between all malfunction codes, 4.5 seconds.

The diagnostic trouble code series will be repeated as long as the DLC1 terminals TE1 and E1 are connected.

HINT: In the event of a number of trouble codes, indication will begin from the small value and continue to the larger in order.

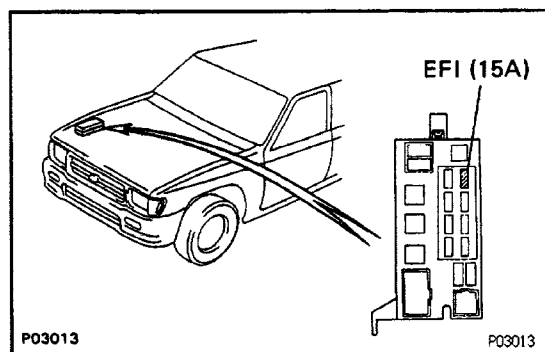


(c) (2 trip detection logic)

The diagnostic trouble codes 21, 25, 26, 27 and 71 use "2 trip detection logic". With this logic, when a logic malfunction is first detected, the malfunction is temporarily stored in the ECM memory. If the same case is detected again during the second drive test, this second detection causes the Malfunction Indicator Lamp to light up.

The 2 trip repeats the same mode a 2nd time. (However, the IG SW must be turned OFF between the 1st time and 2nd time).

5. After the diagnostic check, remove SST.



DIAGNOSTIC TROUBLE CODES CANCELLATION

E01XC-01

1. After repair of the trouble area, the diagnostic trouble code retained in memory by the ECM must be canceled out by removing the EFI fuse (15A) 30 seconds or more, depending on ambient temperature (the lower the temperature, the longer the fuse must be left out) with the ignition switch off.

HINT:

- Cancellation can also be done by removing the battery negative (-) terminal, but in this case other memory systems (radio ETR, etc.) will also be canceled out.
- If the diagnostic trouble code is not canceled out, it will be retained by the ECM and appear along with a new code in the event of future trouble.
- If it is necessary to work on engine components requiring removal of the battery terminal, a check must first be made to see if a diagnostic trouble code has been recorded.

2. After cancellation, road test the vehicle, if necessary, confirm that a 'normal' code is now read on the Malfunction Indicator Lamp.

If the same diagnostic trouble code appears, it indicates that the trouble area has not been repaired thoroughly.


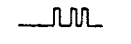


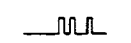




DIAGNOSIS INDICATION

- (1) When 2 or more codes are indicated, the lowest number (code) will appear first.
- (2) All detected diagnostic trouble codes, except for code No. 51 and No. 53, will be retained in memory by the ECM from the time of detection until canceled out.
- (3) Once the malfunction is cleared, the Malfunction Indicator Lamp on the instrument panel will go off but the diagnostic trouble code(s) remain stored in ECM memory (except for code 51 and 53).







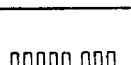
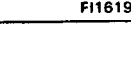

DIAGNOSTIC TROUBLE CODES

HINT:

- If a malfunction is detected during the diagnostic trouble code check, refer to the circuit indicated in the table, and turn to the corresponding page.
- Your readings may vary from the parameters listed in the table, depending on the instruments used.

Code No.	Number of blinks Malfunction Indicator Lamp	System	MIL	Diagnosis	Trouble Area	*2 Memory	See Page
—	 F11401	Normal	—	No trouble code is recorded.	—	—	—
12	 F11389	RPM Signal	ON	No NE signal is input to the ECM for 2 secs. or more after STA turns ON.	<ul style="list-style-type: none"> • Open or short in NE circuit • Distributor • Open or short in STA circuit • ECM 	○	IG-4 EG1-132 EG1-150 EG1-168
13	 F11390	RPM Signal	ON	NE signal is not input to ECM for 300 msec. or more when engine speed is 1,500 rpm or more.	<ul style="list-style-type: none"> • Open or short in NE circuit • Distributor • ECM 	○	IG-4
14	 F11391	Ignition Signal	ON	IGF signal from igniter is not input to ECM for 4 consecutive ignition.	<ul style="list-style-type: none"> • Open or short in IGF or IGT circuit from igniter to ECM • Igniter • ECM 	○	EG1-134 EG1-152 EG1-170
21	 F11400	Main Oxygen Sensor Signal	ON	(1) Open or short in heater circuit of main oxygen sensor for 500 msec. or more. (HT) (2) At normal driving speed (below 60 mph and engine speed is above 1,700 rpm), amplitude of main oxygen sensor signal (OX 1) is reduced to between 0.35–0.70 V continuously for 60 secs. or more. *6 (2 trip detection logic) (2)	<ul style="list-style-type: none"> • Open or short in heater circuit of main oxygen sensor • Main oxygen sensor heater • ECM • Open or short in main oxygen sensor circuit • Main oxygen sensor • ECM 	○	EG1-138 EG1-156 EG1-174
22	 F11392	Engine Coolant Temp. Sensor Signal	ON	Open or short in engine coolant temp. sensor circuit for 500 msec. or more. (THW)	<ul style="list-style-type: none"> • Open or short in engine coolant temp. sensor circuit • Engine coolant temp. sensor • ECM 	○	EG1-131 EG1-149 EG1-167
24	 F11611	Intake Air Temp. Sensor Signal	*3 ON	Open or short in intake air temp. sensor circuit for 500 msec. or more. (THA)	<ul style="list-style-type: none"> • Open or short in intake air temp. circuit • Intake air temp. sensor • ECM 	○	EG1-129 EG1-147 EG1-165
25	 F12562	Air-Fuel Ratio Lean Mal-function	ON	(1) Oxygen sensor output is less than 0.45 V for at least 90 secs. when oxygen sensor is warmed up (racing at 2,000 rpm). —Only for code 25. *4 (2) When the air-fuel compensation value fluctuates more than 20% from the ECM set range within 60 secs. period while driving at 15 km/h (9 mph) or more at coolant temp. of 70°C (158°F) or above. *6 (2 trip detection logic) (1) and (2)	<ul style="list-style-type: none"> • Engine ground bolt loose • Open in E1 circuit • Open in injector circuit • Fuel line pressure (injector blockage, etc.) • Open or short in oxygen sensor circuit • Oxygen sensor • Ignition system • Engine coolant temp. sensor • Volume air flow meter (Air intake) • ECM 	○	EG1-138 EG1-156 EG1-174 EG1-136 EG1-154 EG1-172
*5 26	 F12563	Air-Fuel Ratio Rich Mal-function	ON	(1) Oxygen sensor output is less than 0.45 V for at least 90 secs. when oxygen sensor is warmed up (racing at 2,000 rpm). —Only for code 25. *4 (2) When the air-fuel compensation value fluctuates more than 20% from the ECM set range within 60 secs. period while driving at 15 km/h (9 mph) or more at coolant temp. of 70°C (158°F) or above. *6 (2 trip detection logic) (1) and (2)	<ul style="list-style-type: none"> • Engine ground bolt loose • Open in E1 circuit • Short in injector circuit • Fuel line pressure (injector leakage, etc.) • Open or short in cold start injector circuit • Cold start injector • Open or short in oxygen sensor circuit • Oxygen sensor • Engine coolant temp. sensor • Volume air flow meter • Compression pressure • ECM 	○	EG1-138 EG1-156 EG1-174 EG1-136 EG1-154 EG1-172

DIAGNOSTIC TROUBLE CODES (Cont'd)

Code No.	Number of blinks Malfunction Indicator Lamp	System	MIL	Diagnosis	Trouble Area	*2 Memory	See Page
*5 27	 F13294	Sub-Oxygen Sensor Signal	ON	(1) When sub-oxygen sensor is warmed up and full acceleration continued for 2 seconds, output of main oxygen sensor is 0.45 V or more (rich) and output of sub-oxygen sensor is 0.45 V or less (lean). (OX2) (2) Open or short detected continuously for 500 msec. or more in sub-oxygen sensor heater circuit *6 (2 trip detection logic) (1) and (2)	<ul style="list-style-type: none"> Short or open in sub-oxygen sensor circuit Sub-oxygen sensor Open or short in sub-oxygen sensor heater ECM 	○	EG1-138 EG1-156 EG1-174
31	 F11394	Volume Air Flow Meter Signal	ON	Open or short detected continuously for 500 msec. or more in volume air flow meter circuit <ul style="list-style-type: none"> Open - VC or E2 Short - VC-E2 or VS-VC 	<ul style="list-style-type: none"> Open or short in volume air flow meter circuit Volume air flow meter ECM 	○	EG1-129 EG1-147 EG1-165
41	 F11396	Throttle Position Sensor Signal	-3 ON	Open or short detected in throttle position sensor signal (VTA) for 500 msec. or more.	<ul style="list-style-type: none"> Open or short in throttle position sensor circuit Throttle position sensor ECM 	○	EG1-128 EG1-146 EG1-164
42	 F11397	Vehicle Speed Sensor Signal	OFF	SPD signal is not input to the ECM for at least 8 seconds during high load driving with engine speed between 2,200 rpm and 5,000 rpm.	<ul style="list-style-type: none"> Open or short in vehicle speed sensor circuit Vehicle speed sensor ECM 	○	-
43	 F11398	Starter Signal	OFF	Starter signal (STA) is not input to ECM even once until engine reaches 800 rpm or more when cranking.	<ul style="list-style-type: none"> Open or short in starter signal circuit Open or short in IG SW or main relay circuit ECM 	○	EG1-132 EG1-150 EG1-168
52	 F11618	Knock Sensor Signal	ON	With engine speed 2,000 rpm or more signal from knock sensor is not input to ECM for 25 revolution. (KNK)	<ul style="list-style-type: none"> Open or short in knock signal circuit Knock sensor (looseness, ect.) ECM 	○	-
53	 F11619	Knock Control Signal	ON	The engine control computer (for knock control) malfunction is detected.	<ul style="list-style-type: none"> ECM 	×	-
*5 71	 F12622	EGR System Malfunction	ON	With the coolant temp. at 65°C (149°F) or more, 50 seconds from start of EGR operation. The EGR gas temp. is less than 70°C (158°F) and the EGR gas temp. has risen less than 3°C during the 50 seconds. *6 (2 trip detection logic)	<ul style="list-style-type: none"> Open in EGR gas temp. sensor circuit Open in VSV circuit for EGR EGR vacuum hose disconnected, valve stuck Clogged in EGR gas passage ECM 	○	EG1-140 EG1-158 EG1-176
51	 F11399	Switch Condition Signal	OFF	Displayed when IDL contact OFF or shift position in "R", "D", "2", or "1" ranges with the check terminals E1 and TE1 connected.	<ul style="list-style-type: none"> Throttle position sensor IDL circuit PNP switch circuit Accelerator pedal, cable ECM 	×	EG1-127 EG1-145 EG1-163

REMARKS

*1: "ON" displayed in the diagnosis mode column indicates that the Malfunction Indicator Lamp is lighted up when a malfunction is detected.

"OFF" indicates that the MIL does not light up during malfunction diagnosis, even if a malfunction is detected.

*2: "0" in the memory column indicates that a diagnostic code is recorded in the ECM memory when a malfunction occurs. "x" indicates that a diagnostic code is not recorded in the ECM memory even if a malfunction occurs. Accordingly, output of diagnostics results is performed with the IG SW ON.

*3: The "Malfunction Indicator Lamp comes on if malfunction occurs only for California specifications.

*4: No. (2) in the diagnostic contents of codes No.25 and 26 apply to California specification vehicles only. While

(1) applies to all models.

*5: Codes 27 and 71 are used only for California specifications.

*6: "2 trip detection logic" (See page [EG1-112](#))

DIAGNOSTIC TROUBLE CODE DETECTION DRIVING PATTERN

Purpose of the driving pattern.

- (a) To simulate diagnostic trouble code detecting condition after diagnostic trouble code is recorded.
- (b) To check that the malfunction is corrected when the repair is completed confirming that diagnostic trouble code is no longer detected.

DTC	21	Main Oxygen Sensor Circuit
Malfunction: Main Oxygen Sensor Deterioration		
P02539		
<p>(1) Disconnect the fuse EFI (15 A) for 10 sec. or more, with IG switch OFF.</p> <p>(2) Start the engine and warm the engine up with all ACC switch OFF.</p> <p>(3) After the engine is warmed up, let it idle for 3 min.</p> <p>(4) Accelerate gradually and maintain at approximately 1,500 rpm, or within the 1,300 to 1,700 rpm range. Turn the A/C on, and drive in "D" for A/T, or in case of M/T, upshift appropriately shift carefully so that the engine speed would not fall below 1,200 rpm. depress the accelerator pedal gradually and maintain a steady speed to avoid engine braking.</p> <p>(5) Maintain the vehicle speed at 40 – 50 mph. Keep the vehicle running for 1 – 2 min. after starting acceleration.</p> <p>(6) After driving, stop at a safe place and turn the IG switch OFF for 3 sec. or more.</p> <p>(7) Start the engine and perform steps (3), (4) and (5) again.</p> <p>HINT: If a malfunction is detected, the Malfunction Indicator Lamp will light up during step (7).</p> <p>NOTICE: If this procedure is not strictly followed, you can not detect the malfunctions.</p>		

DIAGNOSTIC TROUBLE CODE DETECTION DRIVING PATTERN (Cont'd)

Purpose of the driving pattern.

- (a) To simulate diagnostic trouble code detecting condition after diagnostic trouble code is recorded.
- (b) To check that the malfunction is corrected when the repair is completed confirming that diagnostic trouble code is no longer detected.

DTC	25	Air-Fuel Ratio Lean Malfunction
Malfunction: Open or Short in Oxygen Sensor		
<p>The graph illustrates the engine rpm over time for a diagnostic driving pattern. The y-axis represents engine rpm, with markers for Idling, IG S/W OFF, 2,000 rpm, and 4,000 rpm. The x-axis represents time. The pattern is as follows: (1) IG S/W OFF. (2) Idling. (3) Idling for 2 min. (4) Three sudden races to 4,000 rpm. (5) Racing at 2,000 rpm for 2 min. (6) IG switch OFF for 10 sec. (7) Idling for 2 min. (8) Three sudden races to 4,000 rpm. (9) Racing at 2,000 rpm for 2 min.</p>		
P02492		
<p>(1) Disconnect the fuse EFI (15 A) for 10 sec. or more, with IG switch OFF.</p> <p>(2) Start the engine and warm the engine up.</p> <p>(3) After the engine is warmed up, let it idle for 2 min.</p> <p>(4) After performing the idling in (3), perform sudden racing to 4,000 rpm three times.</p> <p>(5) After performing the sudden racing in (4), perform racing at 2,000 rpm for 2 min.</p> <p>(6) After performing the racing in (5), turn the IG switch OFF for 10 sec.</p> <p>(7) Start the engine and perform steps (2), (3), (4) and (5) again:</p> <p>HINT: If a malfunction is detected, the Malfunction Indicator Lamp will light up during step.</p> <p>NOTICE: If this procedure is not strictly followed, you can not detect the malfunctions.</p>		

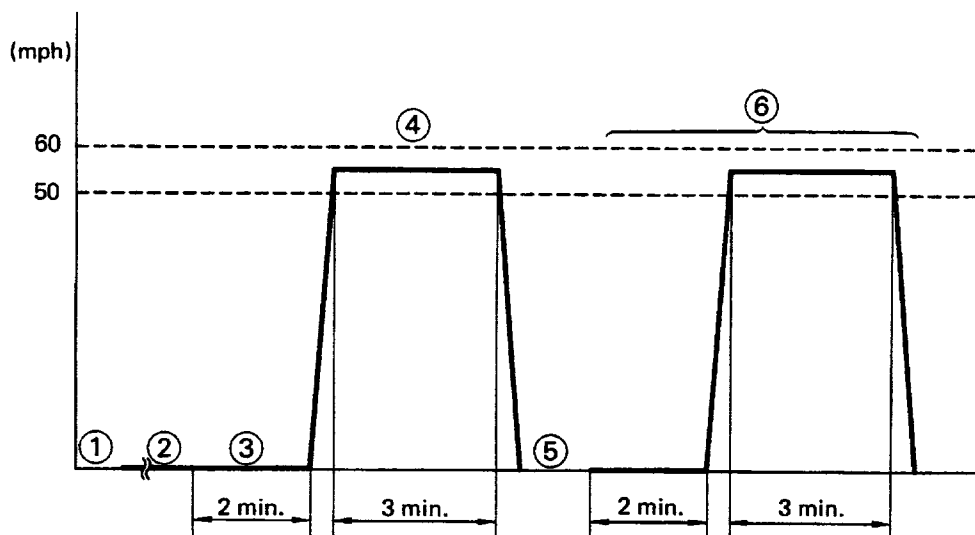
DIAGNOSTIC TROUBLE CODE DETECTION DRIVING PATTERN (Cont'd)

Purpose of the driving pattern.

- (a) To simulate diagnostic trouble code detecting condition after diagnostic trouble code is recorded.
- (b) To check that the malfunction is corrected when the repair is completed confirming that diagnostic trouble code is no longer detected.

DTC	25	Air-Fuel Ratio Lean Malfunction (CALIFORNIA)
	26	Air-Fuel Ratio Rich Malfunction (CALIFORNIA)

Malfunction: Open or Short in Oxygen Sensor, Open or Short in Injector Leak, Blockage



P02538

- ① Disconnect the EFI fuse (15 A) for 10 sec. or more, with IG switch OFF.
- ② Start the engine and warm the engine up with all ACC switch OFF.
- ③ After the engine is warmed up, let it idle for 2 min.
- ④ With the transmission in 5th gear ("D" range for A/T), drive at 50 – 60 mph for 3 min.
- ⑤ After driving, stop at a safe place and turn the IG switch OFF for 3 – 10 sec.
- ⑥ Start the engine and perform steps (3) and (4) again.

HINT: If a malfunction is detected, the Malfunction Indicator Lamp will light up during step (6).

NOTICE: If this procedure is not strictly followed, you can not detect the malfunctions.

DIAGNOSTIC TROUBLE CODE DETECTION DRIVING PATTERN (Cont'd)

Purpose of the driving pattern.

- (a) To simulate diagnostic trouble code detecting condition after diagnostic trouble code is recorded.
- (b) To check that the malfunction is corrected when the repair is completed confirming that diagnostic trouble code is no longer detected.

DTC	27	Sub-Oxygen Sensor Circuit
Malfunction: Open or Short in Sub-Oxygen Sensor		
P02541		
<ul style="list-style-type: none"> ① Disconnect the fuse EFI (15 A) for 10 sec. or more, with IG switch OFF. ② Start the engine and warm the engine up with all ACC switch OFF. ③ After the engine is warmed up, let it drive at 50 – 55 mph for 10 min. or more. ④ After driving, stop at a safe place and perform idling for 2 min. or less. ⑤ After performing the idling in (4) , perform acceleration to 60 mph with the throttle fully open and drive at 60 mph for 1 min. ⑥ After driving, stop at a safe place and turn the IG switch OFF for 3 sec. or more.. ⑦ Start the engine and perform steps (3) , (4), and (5) again. 		
<p>HINT: If a malfunction is detected, the Malfunction Indicator Lamp will light up during step (7).</p> <p>NOTICE: If this procedure is not strictly followed, you can not detect the malfunctions.</p>		

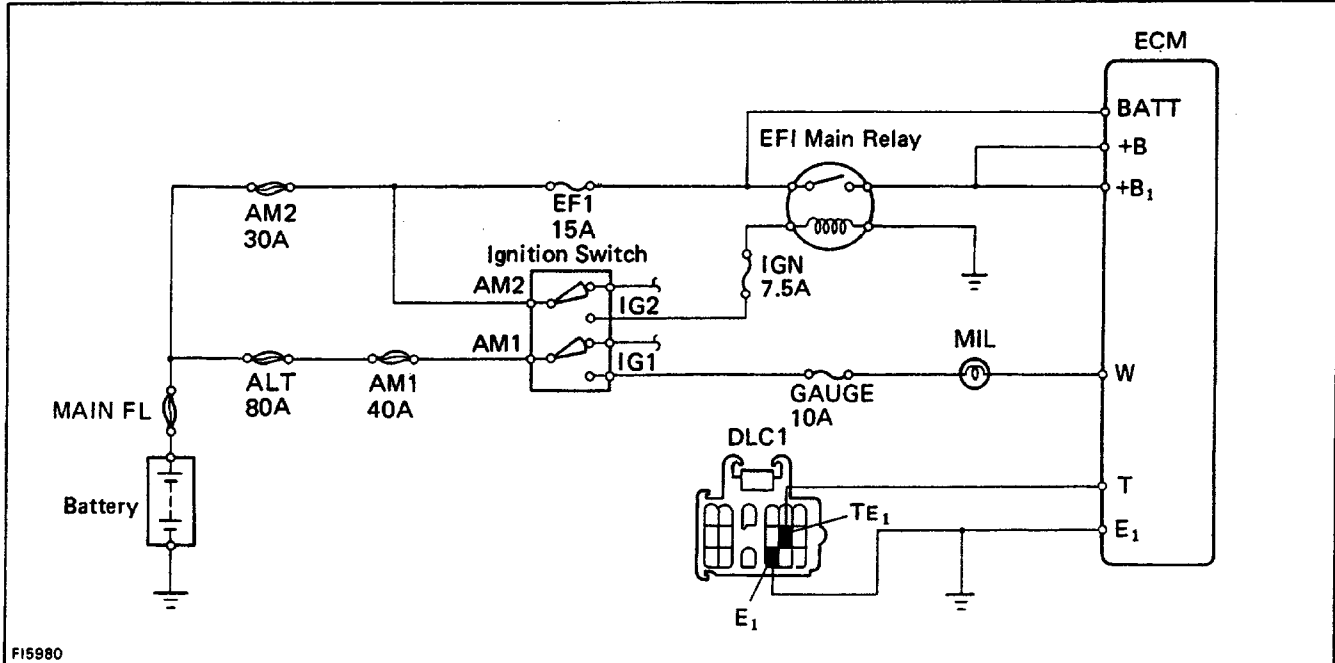
DIAGNOSTIC TROUBLE CODE DETECTION DRIVING PATTERN (Cont'd)

Purpose of the driving pattern.

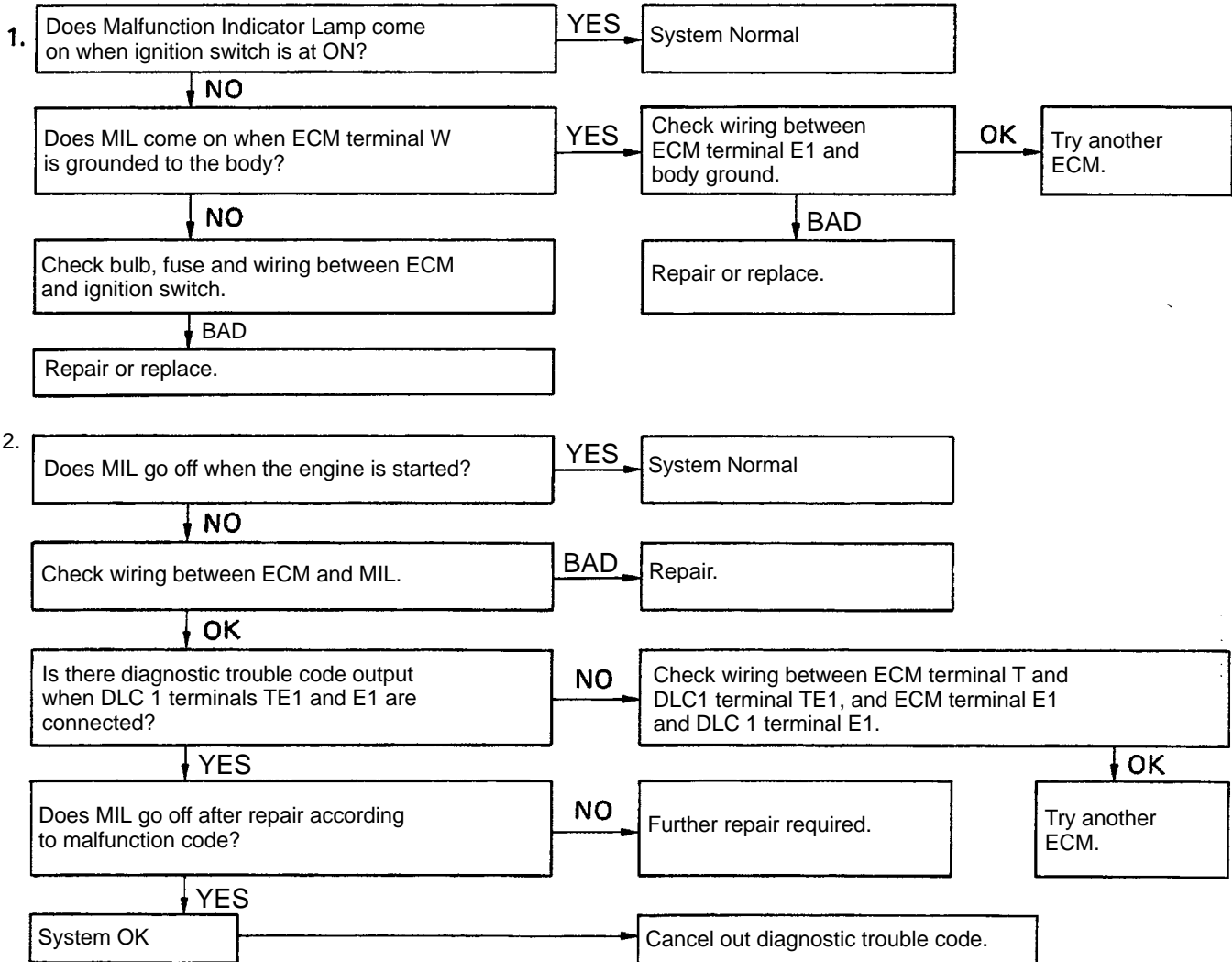
- (a) To simulate diagnostic trouble code detecting condition after diagnostic trouble code is recorded.
- (b) To check that the malfunction is corrected when the repair is completed confirming that diagnostic trouble code is no longer detected.

DTC	71	EGR System Malfunction
<p>Malfunction: Short in VSV Circuit for EGR, Loose EGR Hose, Valve Stuck</p> <p style="text-align: left;">P02538</p>		
<ul style="list-style-type: none"> ① Disconnect the EFI fuse (15 A) for 10 sec. or more, with IG switch OFF. ② Start the engine and warm the engine up with all ACC switch OFF. ③ After the engine is warmed up, let it idle for 2 min. ④ With the transmission in 5th gear ("D" range for AIT), drive at 50 – 60 mph for 3 min. ⑤ After driving, stop at a safe place and turn the IG switch OFF for 3 – 10 sec. ⑥ Start the engine and perform steps (3), and (4) again. <p>HINT: If a malfunction is detected, the Malfunction Indicator Lamp will light up during step (6).</p> <p>NOTICE: If this procedure is not strictly followed, you can not detect the malfunctions.</p>		

INSPECTION OF DIAGNOSIS CIRCUIT



F15980



TROUBLESHOOTING WITH VOLT OHMMETER

HINT: Because the following troubleshooting procedures are designed for inspection of each separate system, the actual troubleshooting procedure may vary somewhat.

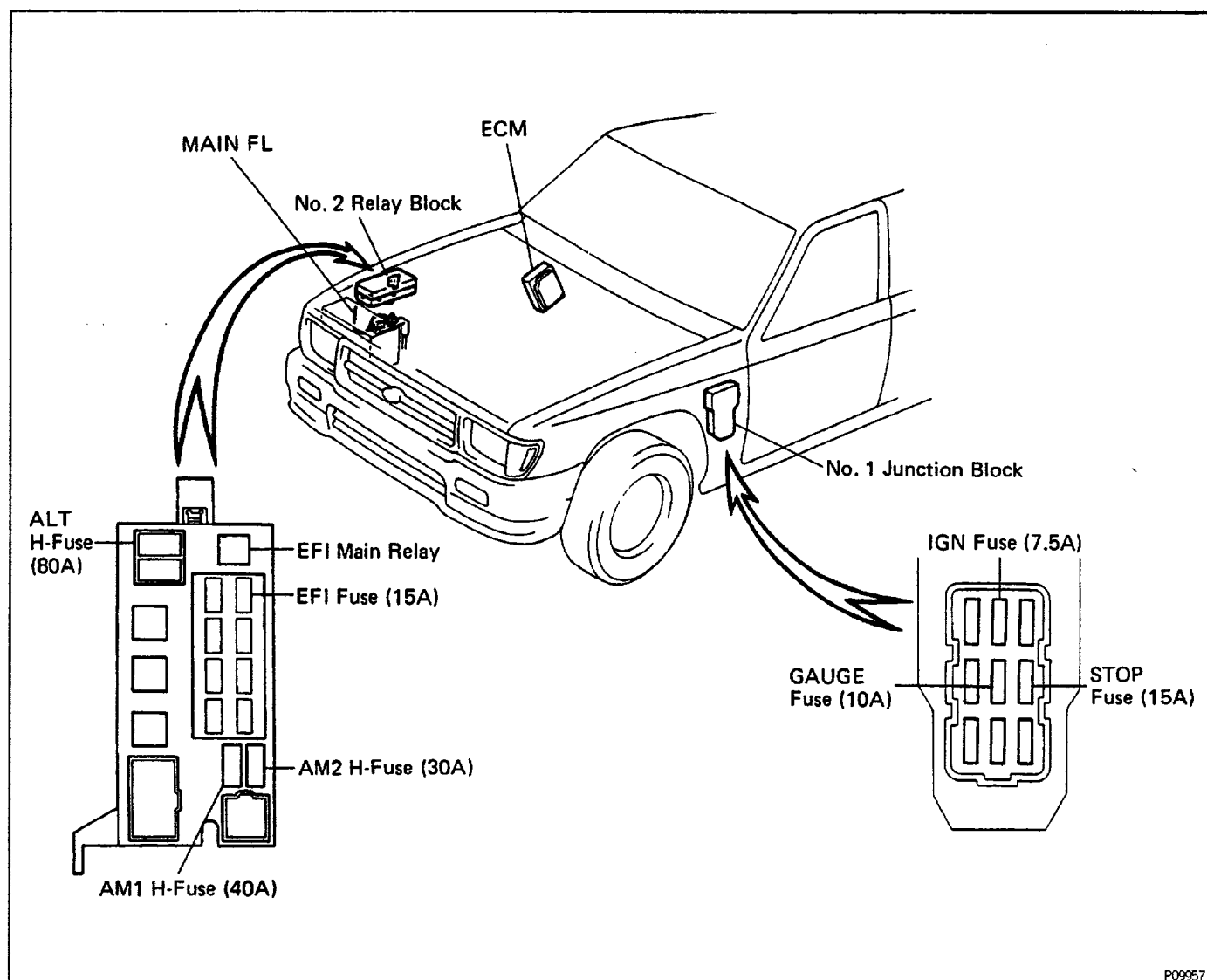
However, please refer to these procedures and perform actual troubleshooting, conforming to the inspection methods described.

For example it is better to first make a simple check of the fuses, fusible links and connecting condition of the connectors before making your inspection according to the procedures listed.

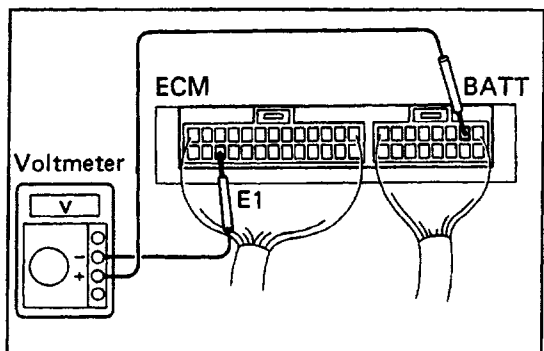
The following troubleshooting procedures are based on the supposition that the trouble lies in either a short or open circuit in a component outside the computer or a short circuit within the computer. If engine trouble occurs even though proper operating voltage is detected in the computer connector, then the ECM is faulty and should be replaced.

FUSES, H-FUSES AND FUSIBLE LINK LOCATION

EG1XG-01



P09957



SYSTEM CHECK PROCEDURE (2WD)

EG1X1-01

HINT:

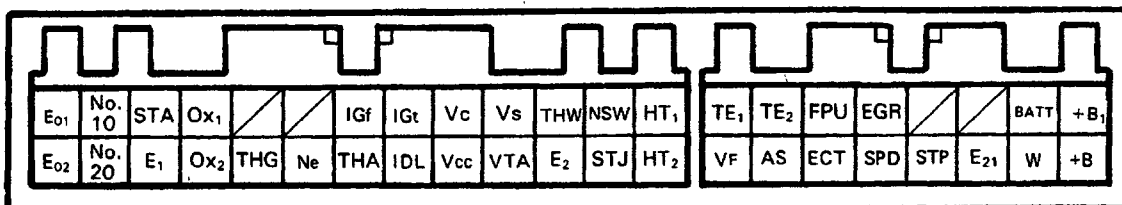
- Perform all voltage measurements with the connectors connected.
- Verify that the battery voltage is 11 V or more when the ignition switch is in "ON" position. Using a voltmeter with high impedance (10 kΩ/V minimum), measure the voltage at each terminal of the wiring connectors.

Terminals of ECM (2WD)

Symbol	Terminal Name	Symbol	Terminal Name
E ₀₁	ENGINE GROUND	E ₂	SENSOR GROUND
E ₀₂	ENGINE GROUND	*2 NSW	PNP SWITCH
No.10	INJECTOR	STJ	COLD START INJECTOR
No.20	INJECTOR	HT ₁	OXYGEN SENSOR HEATER (MAIN)
STA	STARTER SWITCH	*1 HT ₂	OXYGEN SENSOR HEATER (SUB)
E ₁	ENGINE GROUND	TE ₁	DLC 1
Ox ₁	OXYGEN SENSOR (MAIN)	Vf	DLC 1
*1 Ox ₂	OXYGEN SENSOR (SUB)	TE ₂	DLC 1
*1 THG	EGR GAS TEMP. SENSOR	AS	PAIR VALVE
Ne	DISTRIBUTOR	Fpu	FUEL PRESSURE CONTROL VSV
IGf	IGNITER	*2 ECT	OD relay
THA	INTAKE AIR TEMP. SENSOR	*1 EGR	EAR VSV
IGt	IGNITER	SPD	SPEED SENSOR
IDL	THROTTLE POSITION SENSOR	STP	STOP LIGHT SWITCH
Vc	VOLUME AIR FLOW METER	E ₂₁	SENSOR GROUND
Vcc	THROTTLE POSITION SENSOR	BATT	BATTERY POSITIVE VOLTAGE
Vs	VOLUME AIR FLOW METER	W	MALFUNCTION INDICATOR LAMP
VTA	THROTTLE POSITION SENSOR	+B ₁	MAIN RELAY
THW	ENGINE COOLANT TEMP. SENSOR	+B	MAIN RELAY

*1: California only *2: A/T only

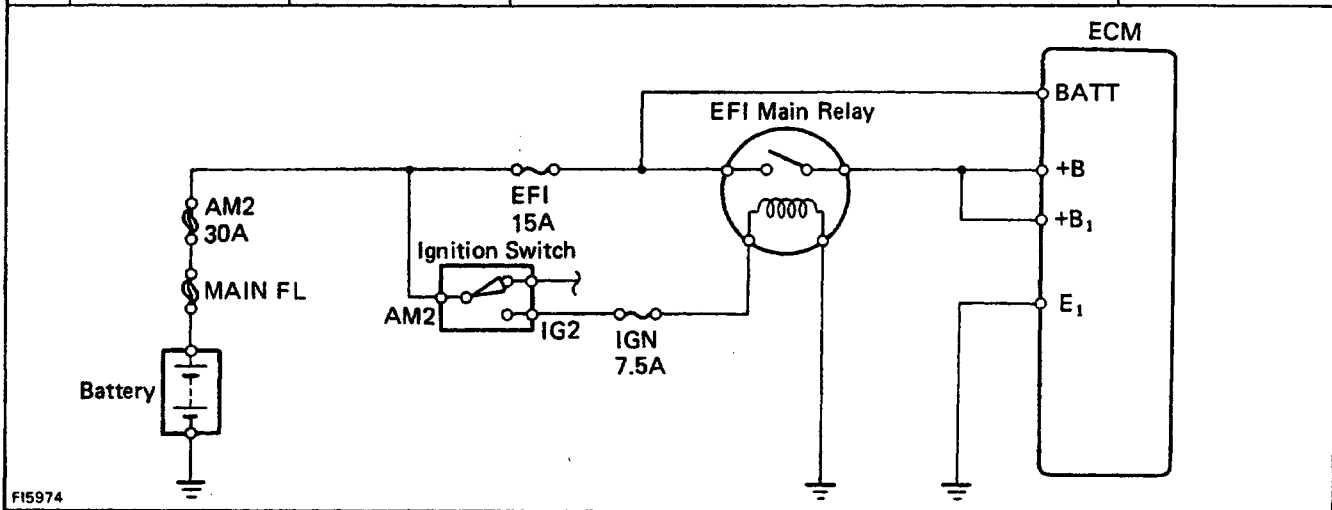
ECM Terminals



Voltage at ECM Wiring Connectors (2WD)

No.	Terminals	Condition		STD voltage	See page
1	BATT - E ₁	-		9 - 14	EG1-125
	+B - E ₁	Ignition switch ON			
	+B ₁ - E ₁				
2	IDL - E ₂ (E ₂₁)	Ignition switch ON	Throttle valve open	9 - 14	EG1-127
	Vcc - E ₂ (E ₂₁)		-	4.5 - 5.5	
	VTA - E ₂ (E ₂₁)		Throttle valve fully closed	0.3 - 0.8	
			Throttle valve fully open	3.2 - 4.9	
3	Vc - E ₂ (E ₂₁)	Ignition switch ON	-	6 - 10	EG1-129
	Vs - E ₂ (E ₂₁)		Measuring plate fully closed	0.5 - 2.5	
			Measuring plate fully open	5 - 10	
			Idling	2 - 8	
	THA - E ₂ (E ₂₁)	Ignition switch ON	Intake air temperature 20°C (68° F)	0.5 - 3.4	
4	THW - E ₂ (E ₂₁)	Ignition switch ON	Coolant temperature 80°C (176° F)	0.2 - 1.0	EG1-131
5	STA - E ₁	Ignition switch START position		6 - 12	EG1-132
6	No. 10 - E ₀₁ No. 20 - E ₀₂	Ignition switch ON		9 - 14	EG1-133
7	IGt - E ₁	Idling		0.7 - 1.0	EG1-134
8	W - E ₁	No trouble (MIL off) and engine running		9 - 14	EG1-135
9	STJ - E ₁	Ignition switch START position	Coolant temperature 80 °C (176°F)	6 - 12	EG1-136
10	STP - E ₁	Stop light switch ON		7.5 - 14	EG1-137

No.	Terminals	Trouble	Condition	STD Voltage
1	BATT - E ₁	No voltage	Ignition switch ON	9 - 14 V
	+B - E ₁			
	+B ₁ - E ₁			

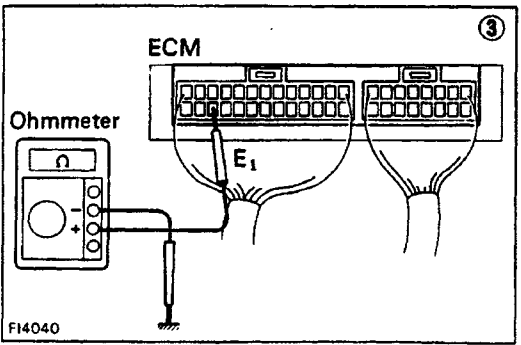
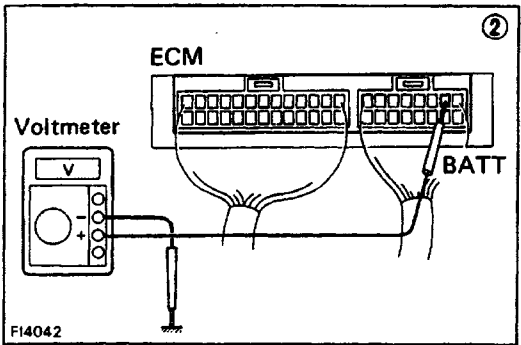
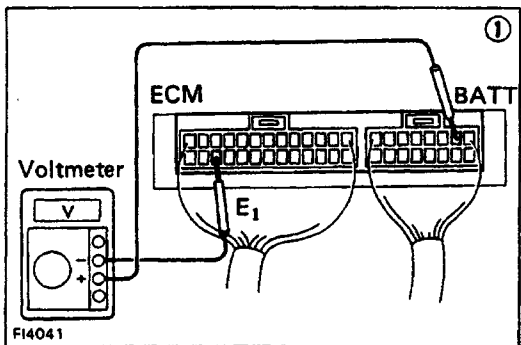


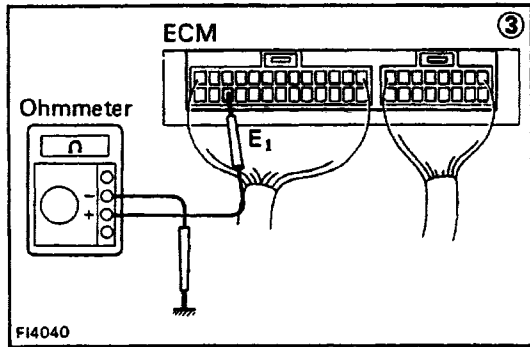
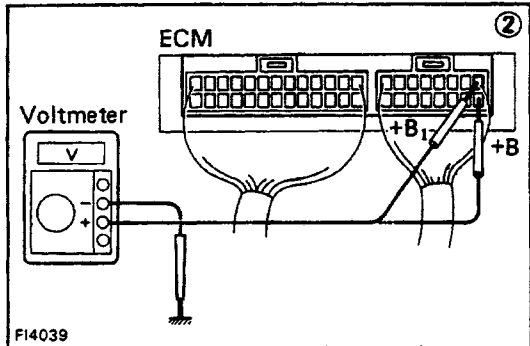
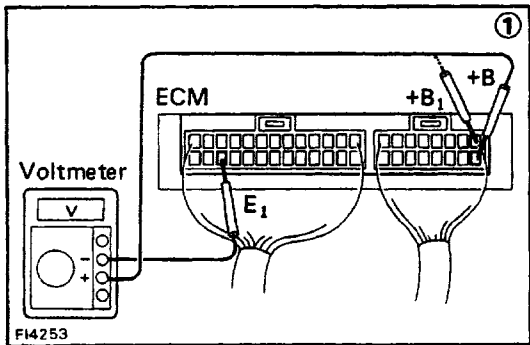
FI5974

• BATT - E 1

```

    graph TD
      A["(1) There is no voltage between ECM terminals BATT and E1."] --> B["(2) Check that there is voltage between ECM terminal BATT and body ground."]
      B -- NO --> C["Check fuse and fusible link."]
      B -- OK --> D["(3) Check wiring between ECM terminal E1 and body ground."]
      C -- BAD --> E["Replace."]
      C -- OK --> F["Check wiring between fuse and ECM."]
      F -- BAD --> G["Repair or replace."]
      F -- OK --> A
      D -- OK --> H["Try another ECM."]
      D -- BAD --> I["Repair or replace."]
    
```



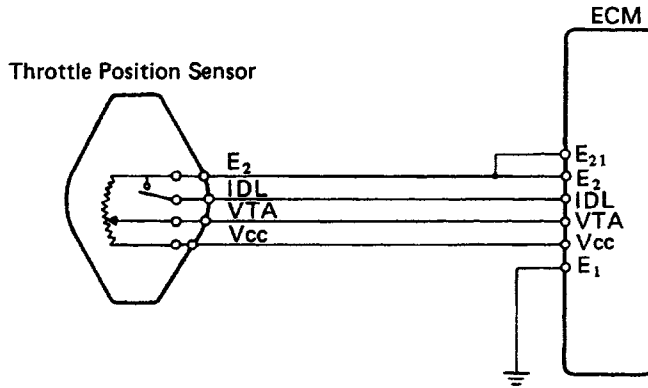


• +B (+B1) - E 1

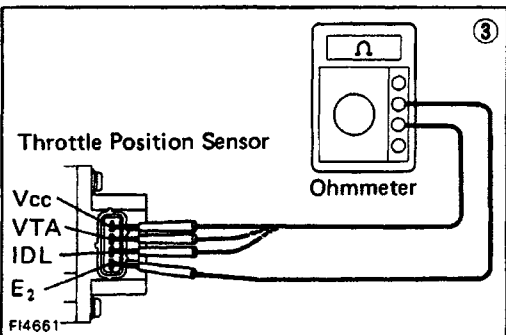
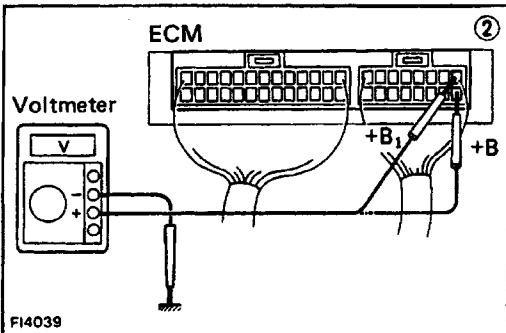
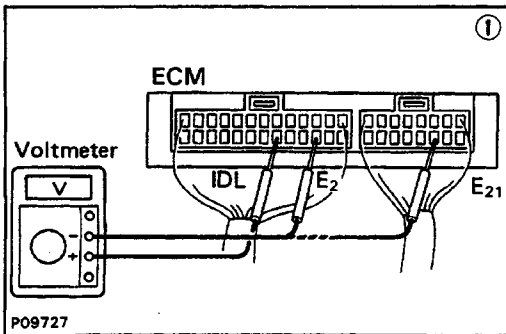
```

    graph TD
      A["(1) There is no voltage between ECM terminals + B (+B1) and E1.  
(IG SW ON)"] --> B["(2) Check that there is voltage between ECM terminal + B (+ B1) an body ground. (IG SW ON)"]
      B -- NO --> C["(3) Check wiring between ECM terminal E1 and body ground."]
      B -- OK --> D["Check fuse, fusible link and ignition switch."]
      C -- OK --> E["Try another ECM."]
      C -- BAD --> F["Repair or replace."]
      D -- BAD --> G["Repair or replace."]
      D -- OK --> H["Check EFI main relay."]
      H -- BAD --> I["Replace."]
      H -- OK --> J["Check wiring between EFI main relay and battery."]
      J -- BAD --> K["Repair or replace."]
      J -- OK --> L["Check wiring between EFI main relay and ECM terminal +B (+B1)."]
      L -- BAD --> M["Repair or replace."]
  
```

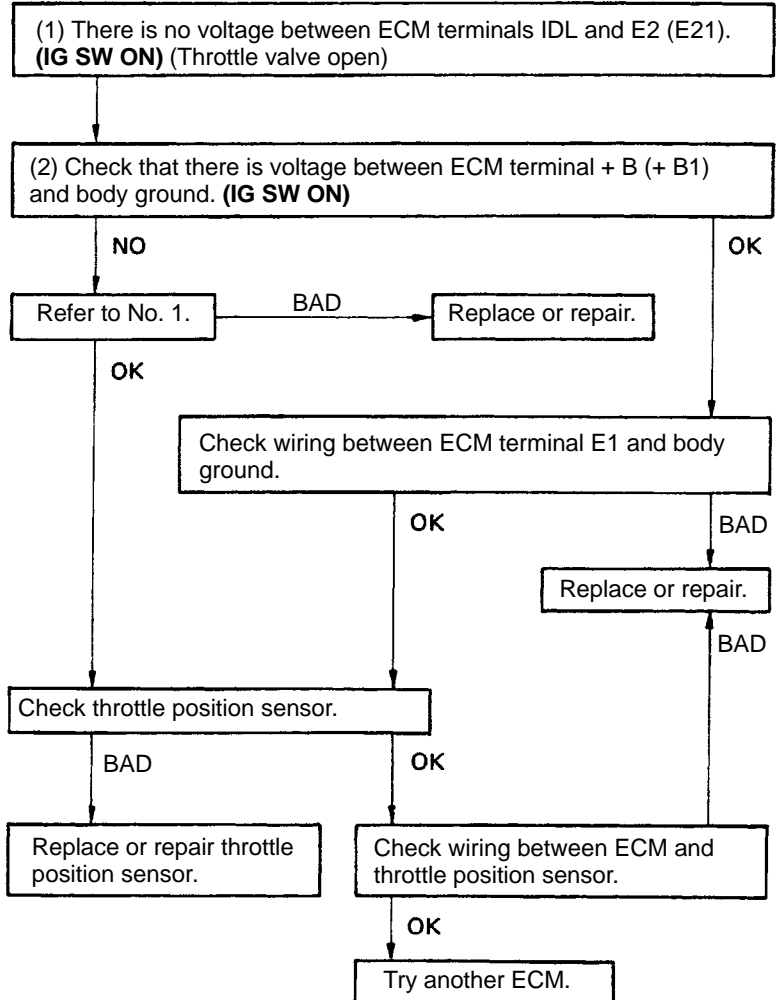

No.	Terminals	Trouble	Condition	STD Voltage
2	IDL - E ₂ (E ₂₁)	No voltage	Throttle valve open	9 - 14 V
	Vcc - E ₂ (E ₂₁)		-	4.5 - 5.5 V
	VTA - E ₂ (E ₂₁)		Throttle valve fully closed	0.3 - 0.8 V
			Throttle valve fully open	3.2 - 4.9 V

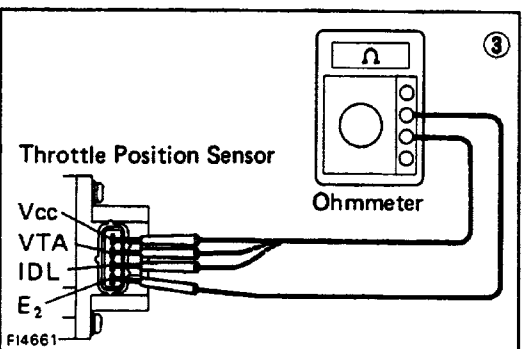
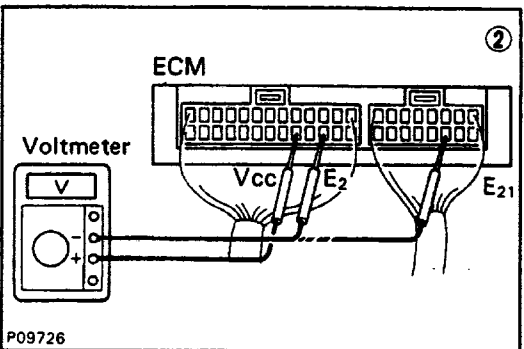
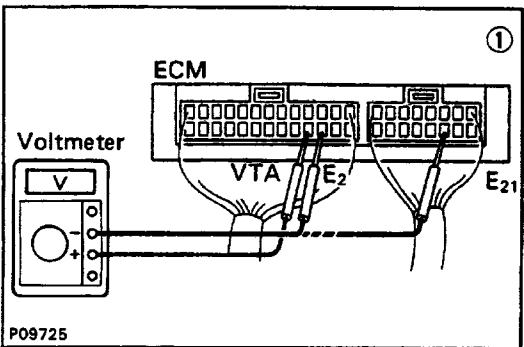
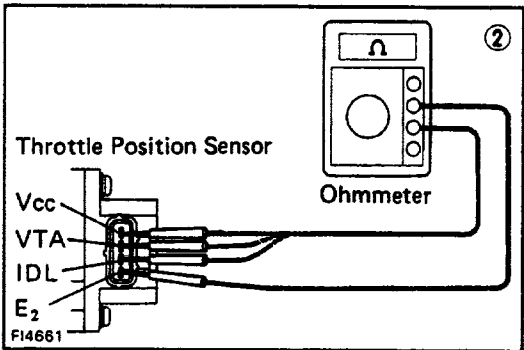
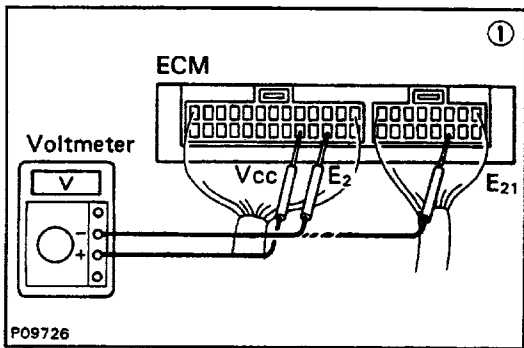


F13877

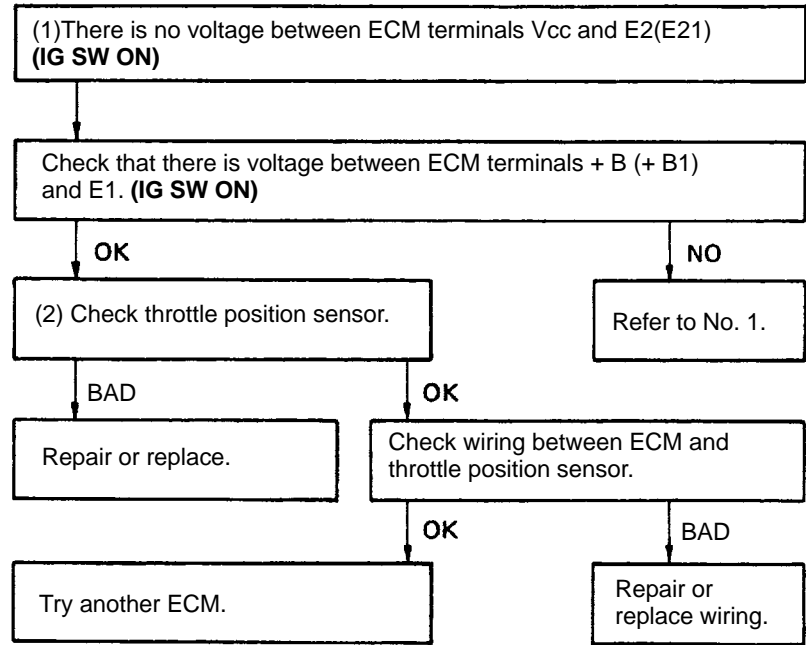


• IDL - E2 (E21)

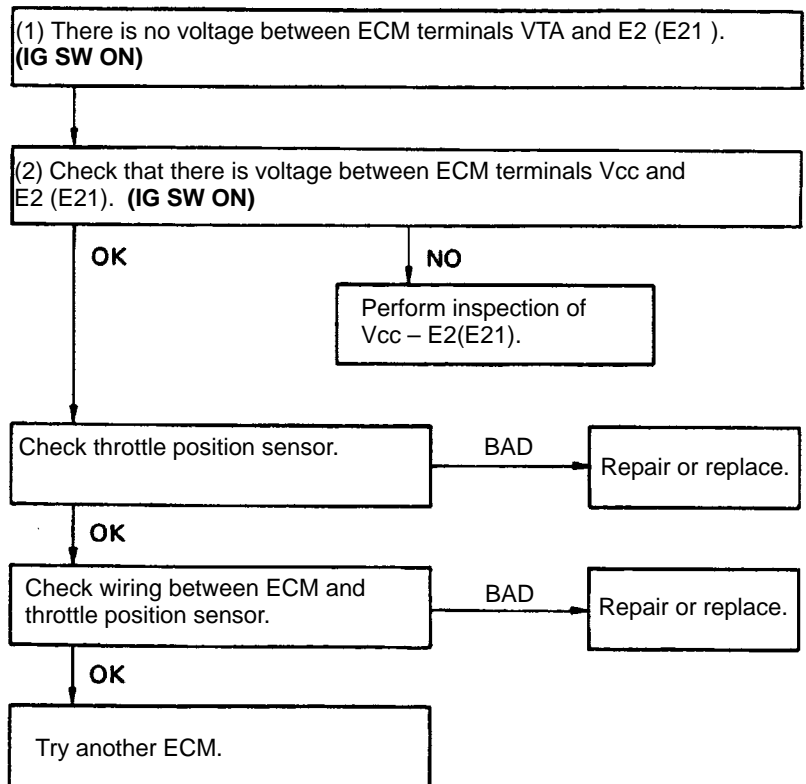




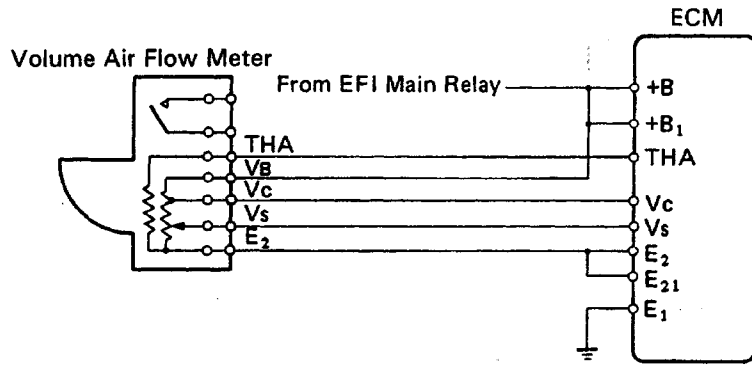
• **Vcc - E2 (E21)**



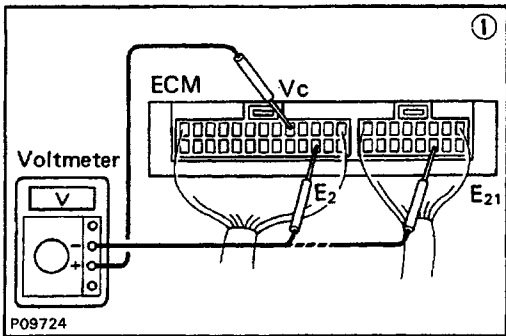
• **VTA - E2 (E21)**



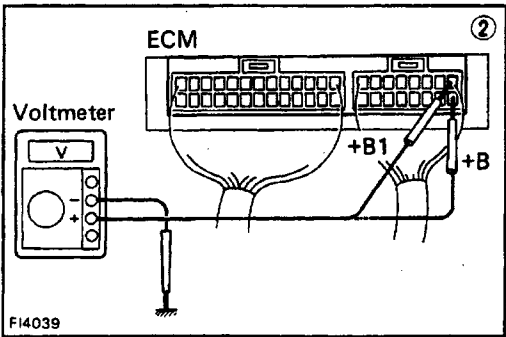
No.	Terminals	Trouble	Condition	STD Voltage	
3	Vc - E ₂ (E ₂₁)	No voltage	Ignition switch	-	6 - 10 V
	Vs - E ₂ (E ₂₁)			Measuring plate fully closed	0.5 - 2.5 V
			THA - E ₂ (E ₂₁)	ON	Idling
				Ignition switch ON	Intake air temperature 20°C (68° F)



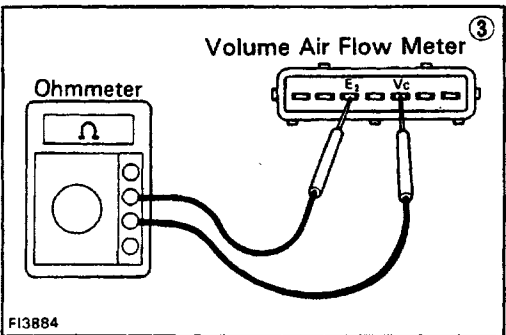
F13881



P09724



F14039



F13884

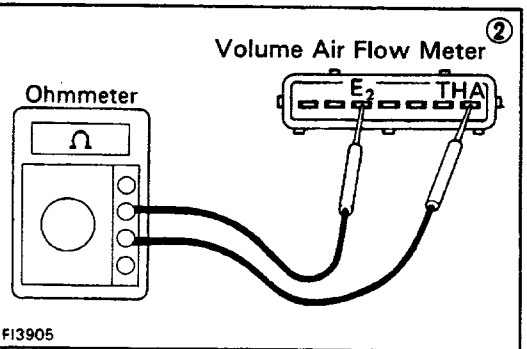
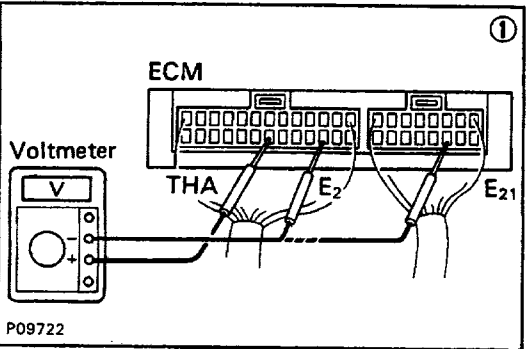
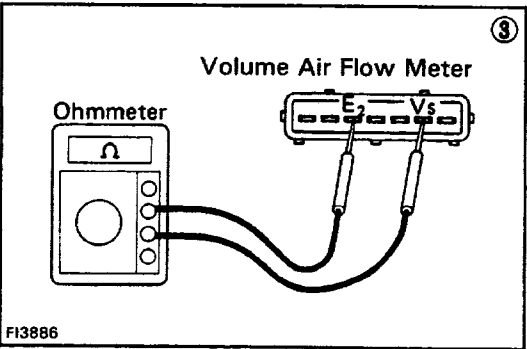
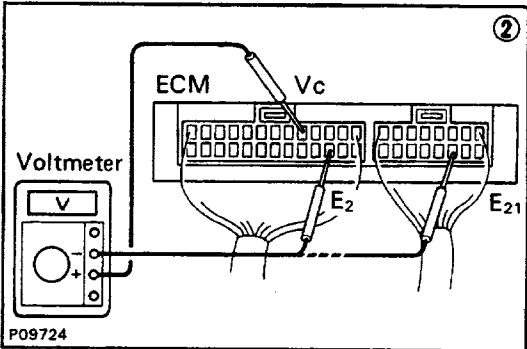
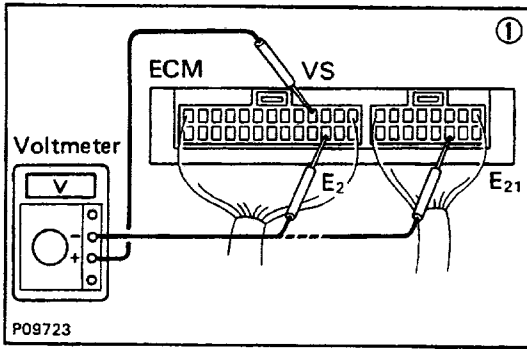
• Vc-E2 (E21)

(1) There is no voltage between ECM terminals Vc and E2 (E21). (IG SW ON)

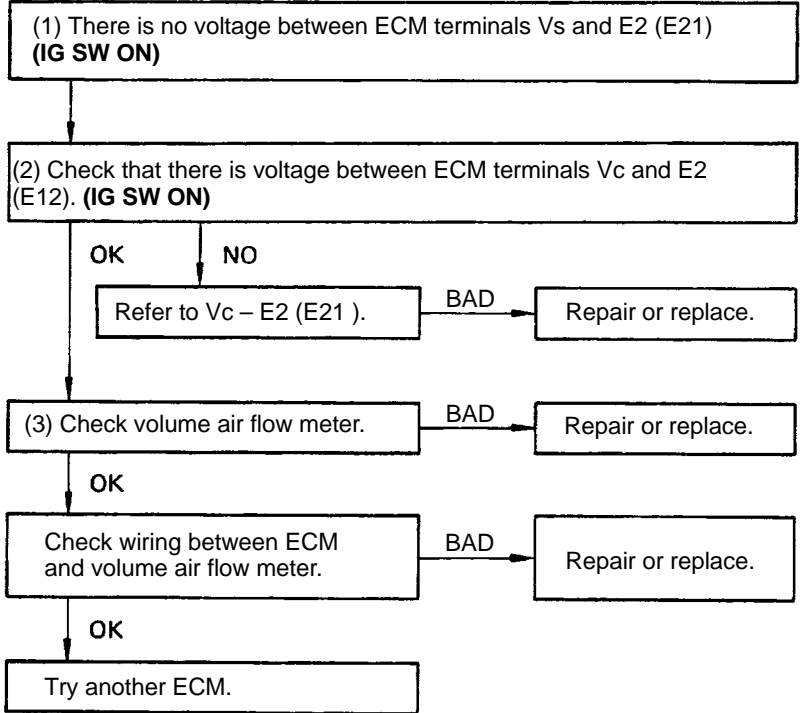
(2) Check that there is voltage between ECM terminals + B (+ B1) and E1. (IG SW ON)

```

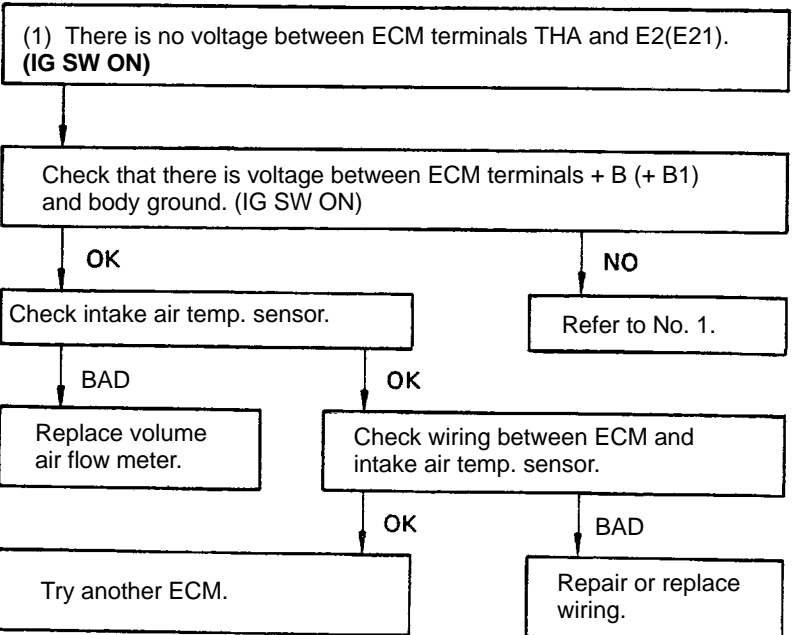
    graph TD
        A["(1) There is no voltage between ECM terminals Vc and E2 (E21). (IG SW ON)"] --> B["(2) Check that there is voltage between ECM terminals + B (+ B1) and E1. (IG SW ON)"]
        B -- OK --> C["(3) Check volume air flow meter."]
        B -- NO --> D["Refer to No. 1."]
        C -- BAD --> E["Replace or repair volume air flow meter."]
        C -- OK --> F["Check wiring between ECM and volume air flow meter."]
        F -- OK --> G["Try another ECM."]
        F -- BAD --> H["Replace or repair wiring."]
    
```



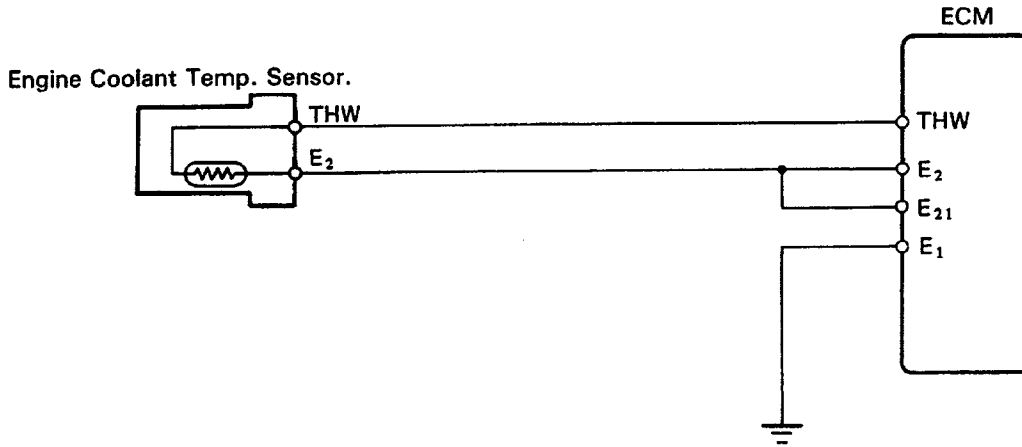
• Vs - E2 (E21)



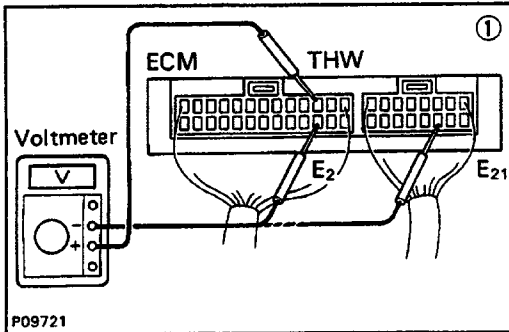
• THA - E2 (E21)



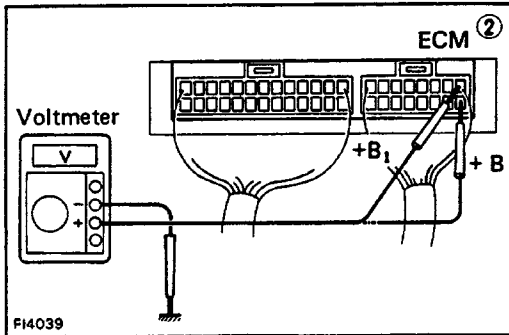
No.	Terminals	Trouble	Condition		STD Voltage
			Ignition switch ON	Coolant temperature 80°C (176° F)	
4	THW - E ₂ (E ₂₁)	No voltage	Ignition switch ON	Coolant temperature 80°C (176° F)	0.2 - 1.0 V



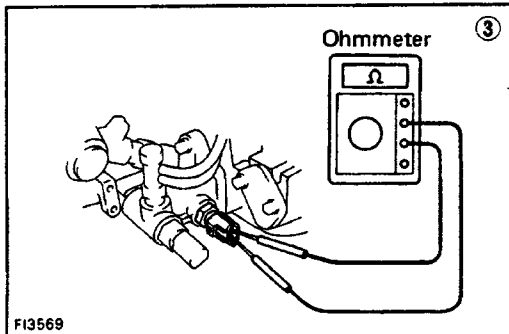
FI5971



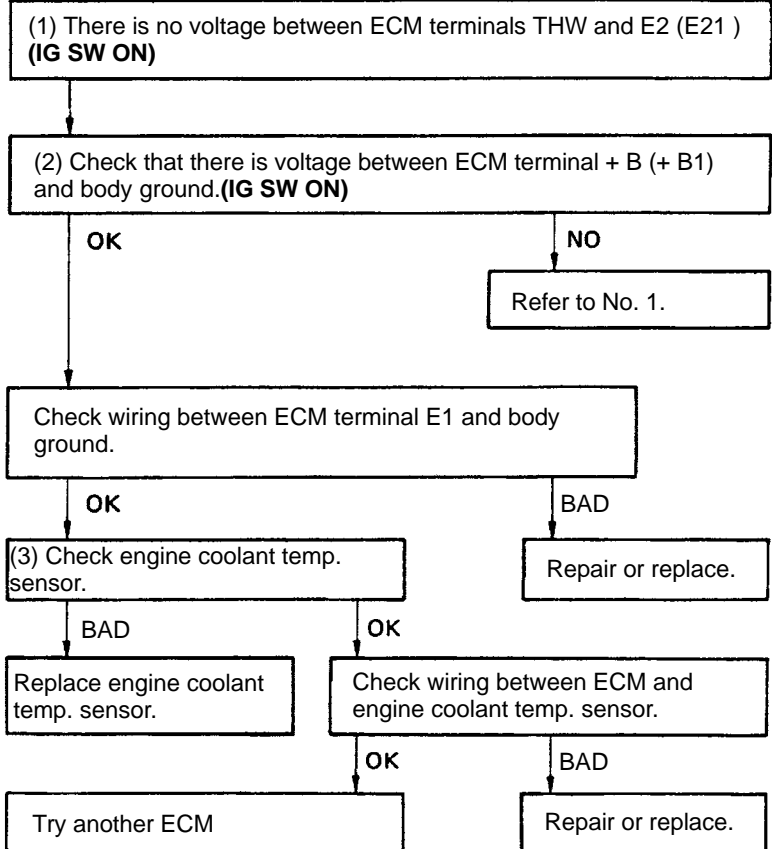
P09721

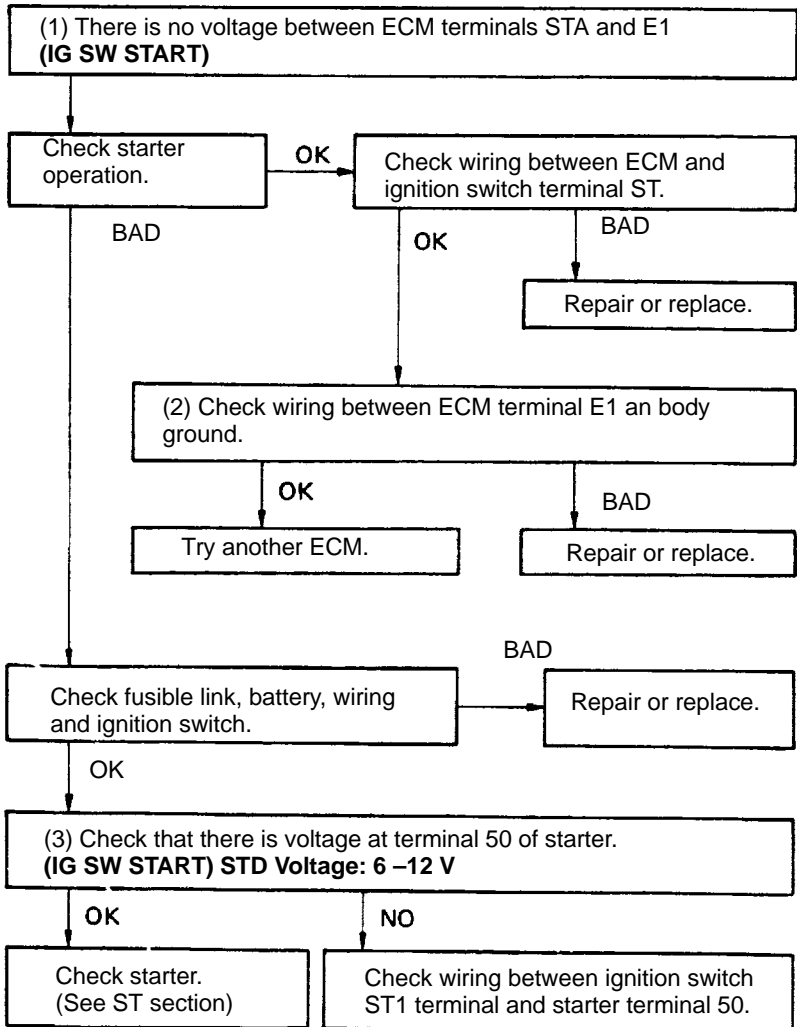
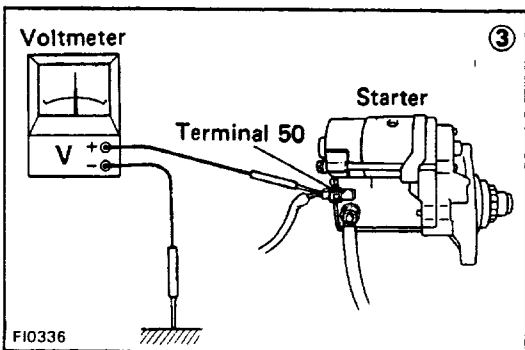
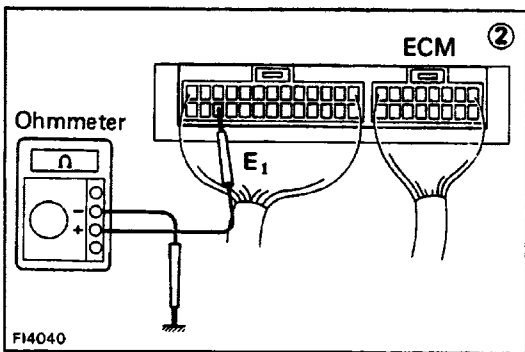
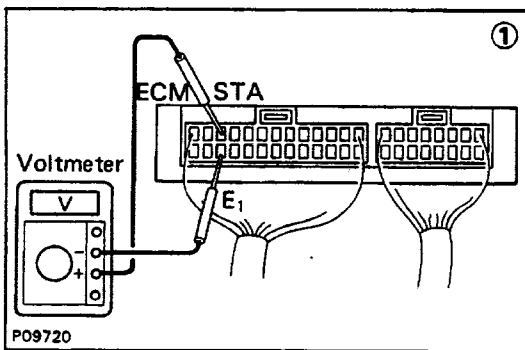
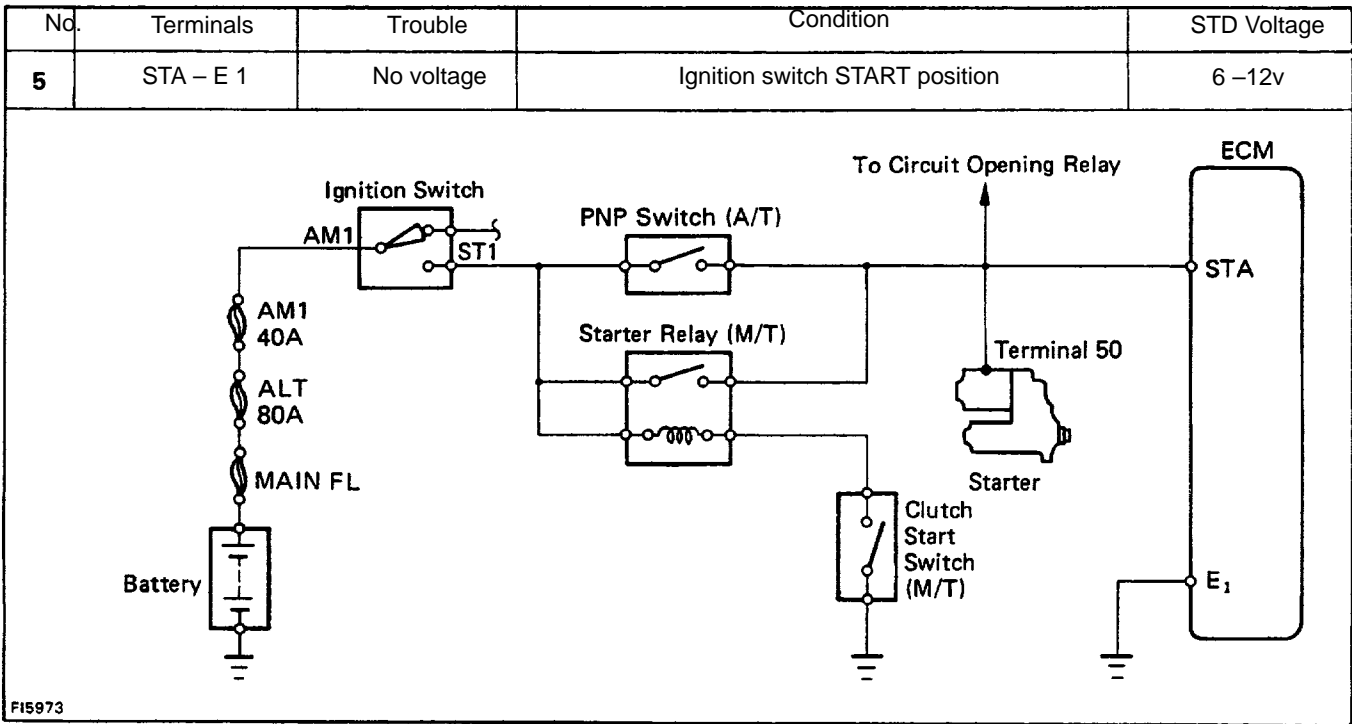


FI4039

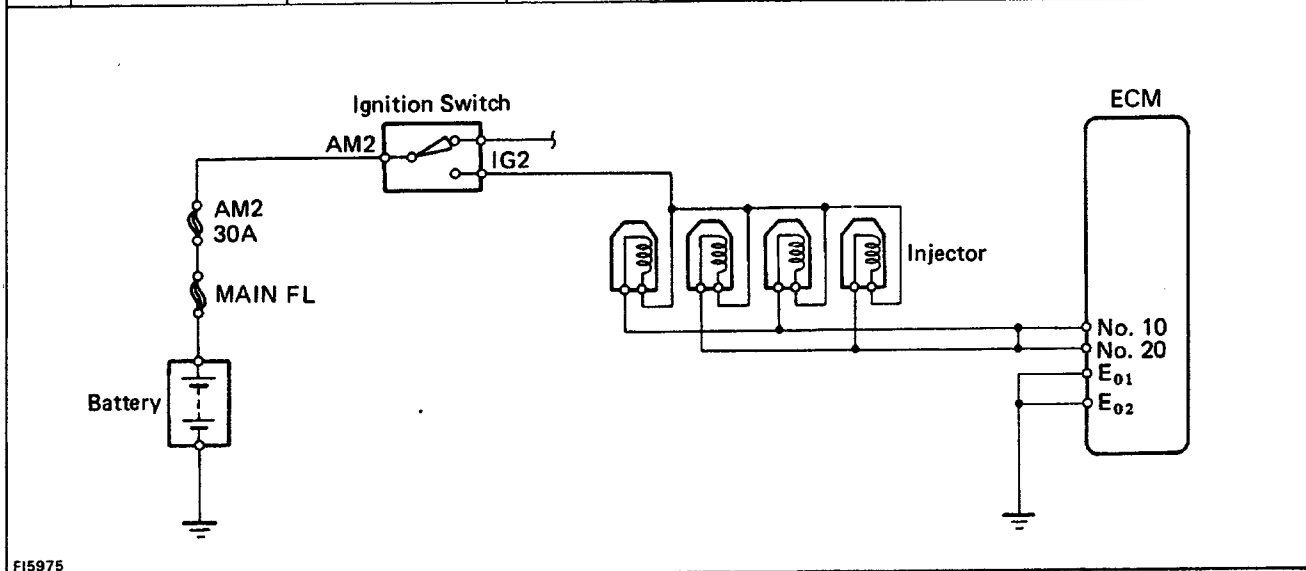


FI3569

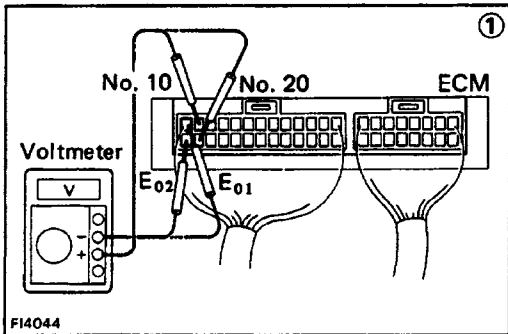




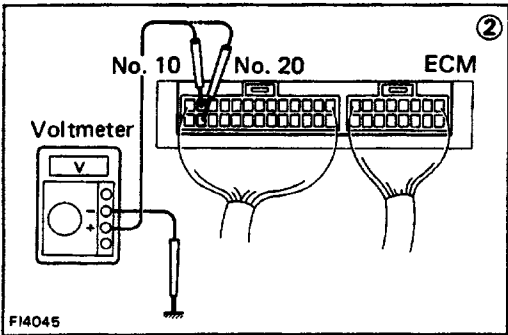
No.	Terminals	Trouble	Condition	STD Voltage
6	No. 10 - E ₀₁ No. 20 E ₀₂	.No voltage	Ignition switch ON	9 - 14 V



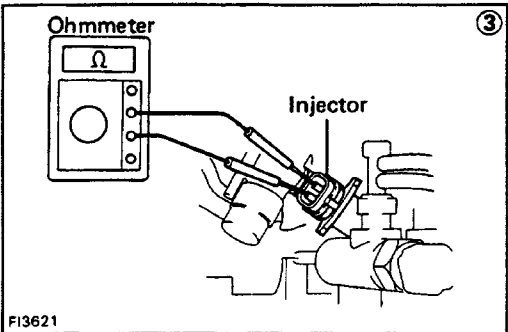
F15975



F14044



F14045



F13621

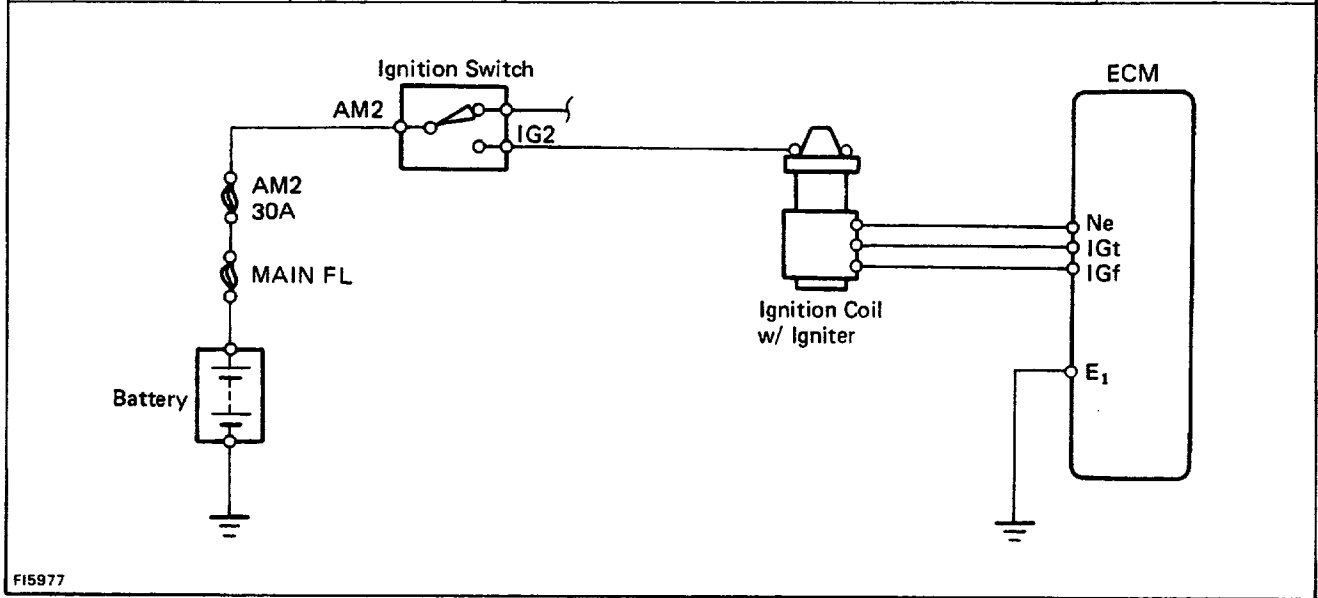
(1) There is no voltage between ECM terminals No. 10 and/or No. 20 and E₀₁, and/or E₀₂. (IG SW ON)

(2) Check that there is voltage between ECM terminal No. 10 and/or No. 20 and body ground.

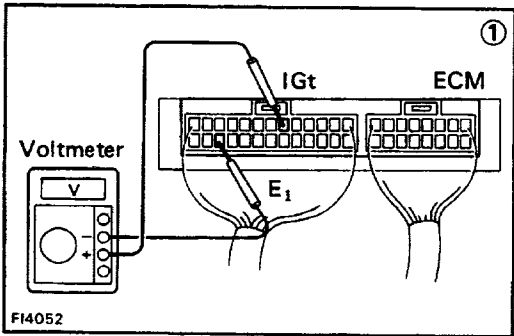
```

    graph TD
        A["(1) There is no voltage between ECM terminals No. 10 and/or No. 20 and E01, and/or E02. (IG SW ON)"] --> B["(2) Check that there is voltage between ECM terminal No. 10 and/or No. 20 and body ground."]
        B -- NO --> C["Check fusible link and ignition switch."]
        B -- OK --> D["Check wiring between ECM terminal E01, and/or E02 and body ground."]
        C -- BAD --> E["Repair or replace."]
        C -- OK --> F["(3) Check resistance of magnetic coil in each injector  
STD resistance: 13.4 - 14.2Ω"]
        D -- OK --> F
        D -- BAD --> G["Try another ECM."]
        G --> H["Repair or replace."]
        F -- NO --> I["Replace injector."]
        F -- OK --> J["Check wiring between ECM terminal No. 10 and/or No. 20 and battery."]
        J -- BAD --> K["Repair or replace."]
        J -- OK --> L["End of flowchart"]
    
```

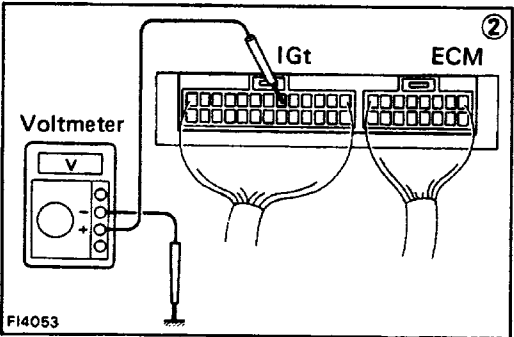
No.	Terminals	Trouble	Condition	STD Voltage
7	IGt - E1	No voltage	Idling	0.7 - 1.0 v



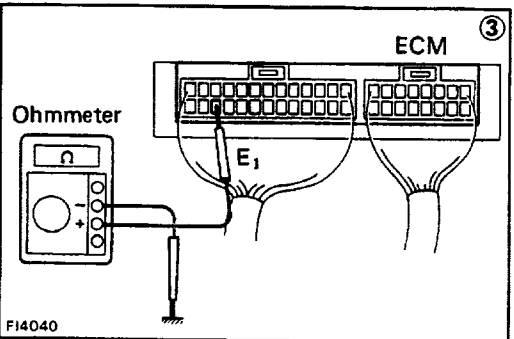
F15977



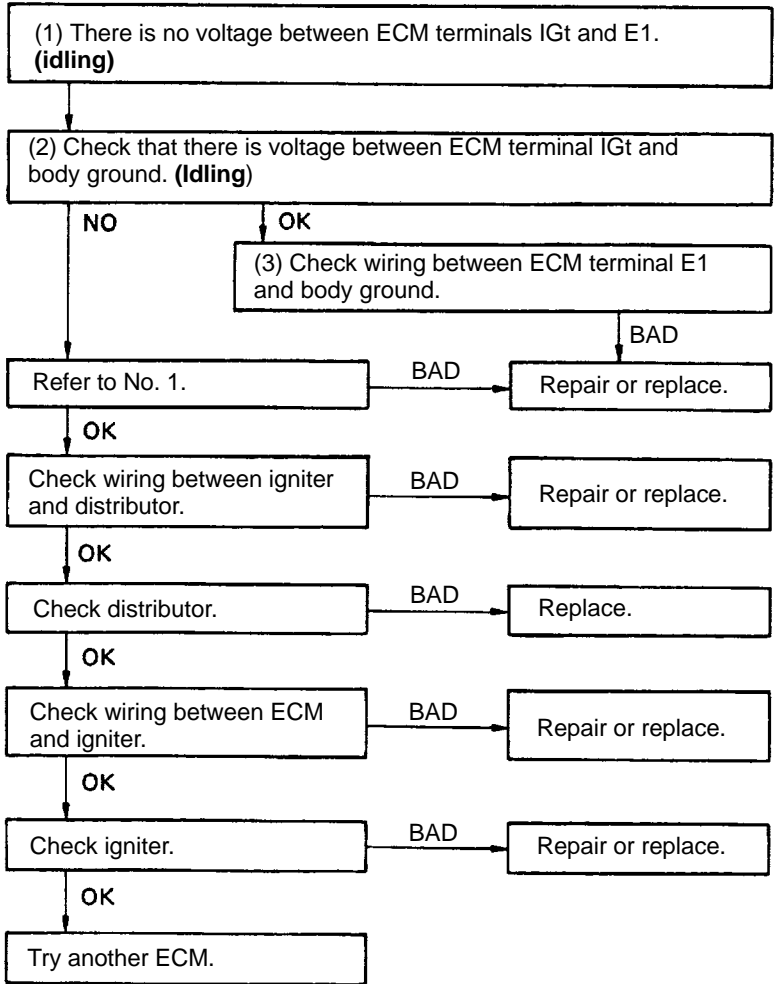
F14052



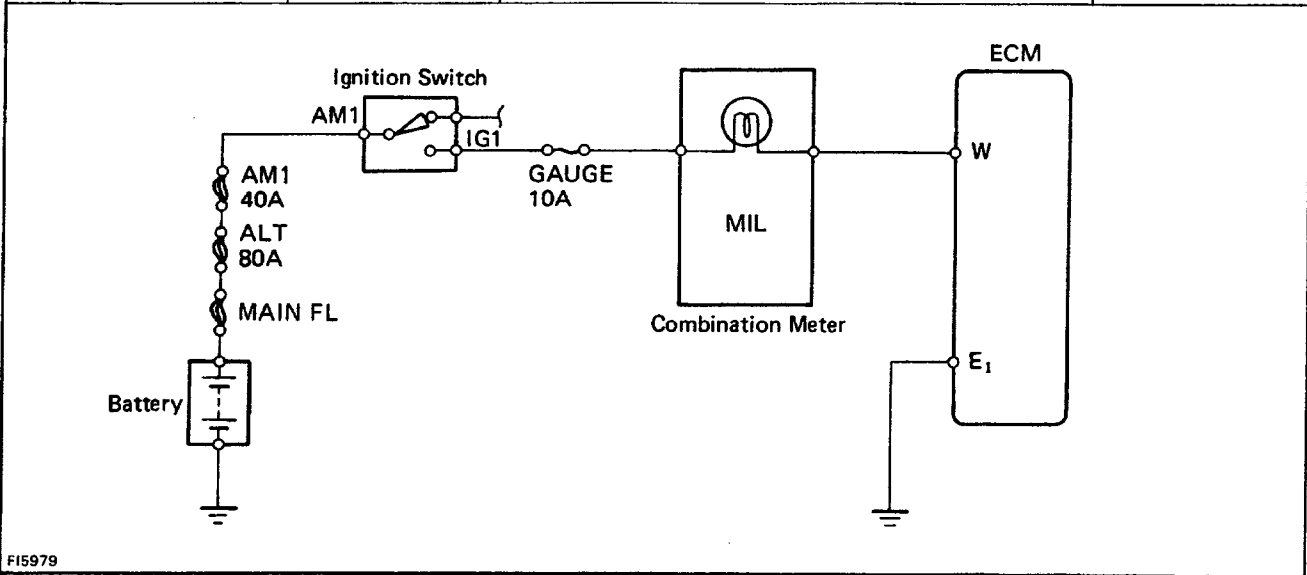
F14053



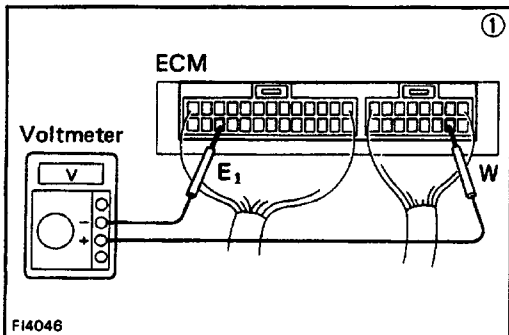
F14040



No.	Terminals	Trouble	Condition	STD Voltage
8	W - E1	No voltage	No trouble (MIL off) and engine running	9 - 14V

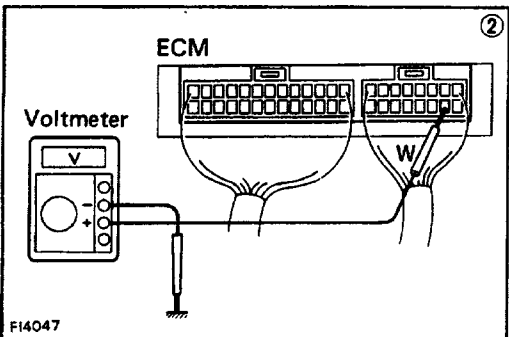


FI5979



FI4046

(1) There is no voltage between ECM terminals W and E1. (Idling)



FI4047

(2) Check that there is voltage between ECM terminal W and body ground.

NO

OK

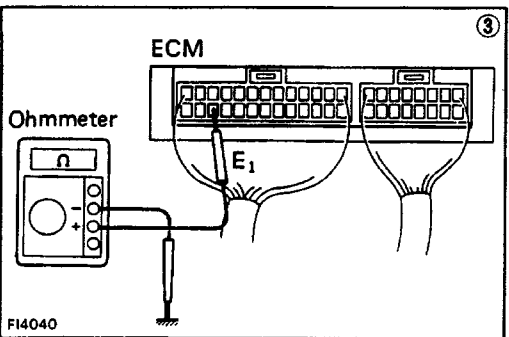
(3) Check wiring between ECM terminal E1 and body ground.

OK

BAD

Try another ECM.

Repair or replace.



FI4040

Check GAUGE fuse (10 A) and MIL.

OK

BAD

Repair or replace.

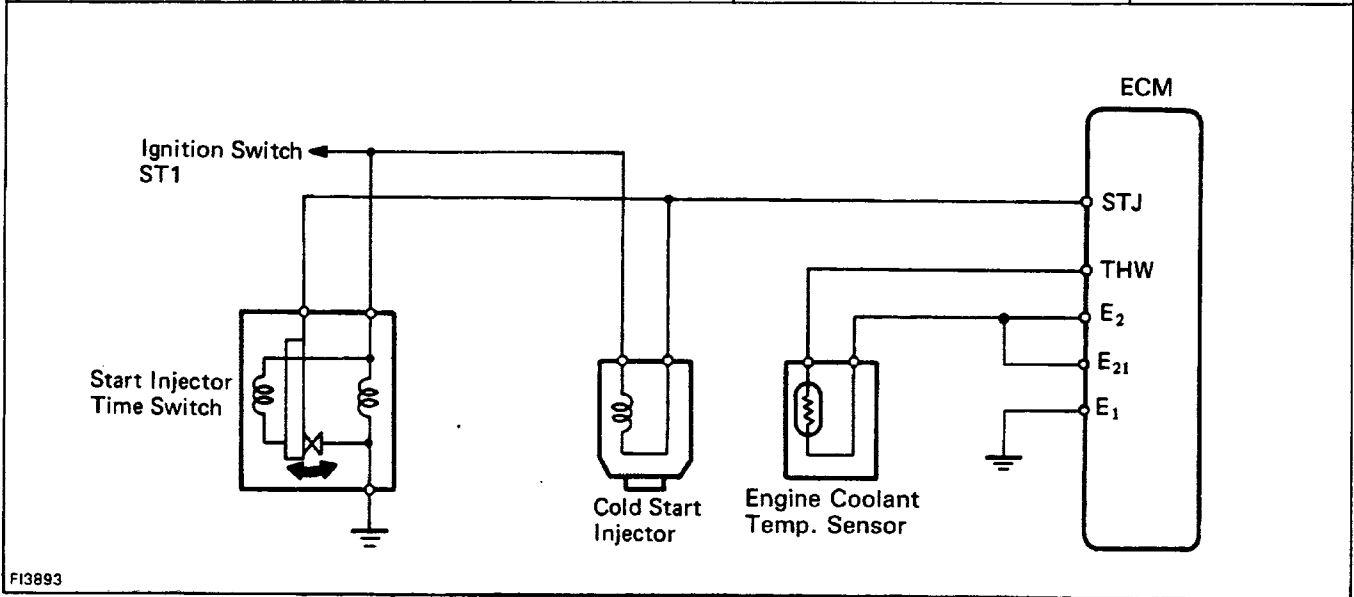
Fuse blows again

Check wiring between ECM terminal W and fuse.

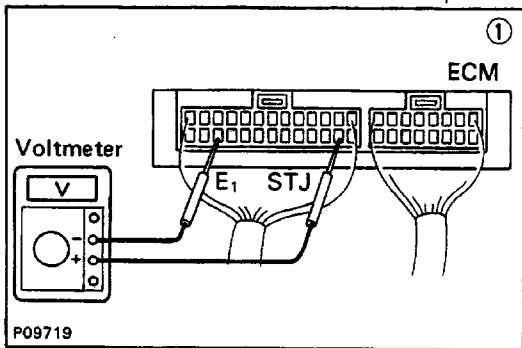
BAD

Repair or replace.

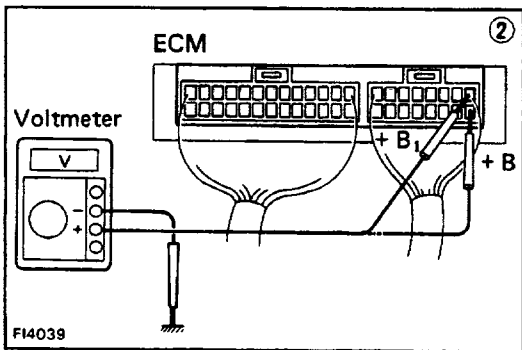
No.	Terminal	Trouble	Condition		STD Voltage
9	STJ - E 1	No voltage	Ignition switch . START position	Coolant temperature 80°C (176° F)	6 -12V



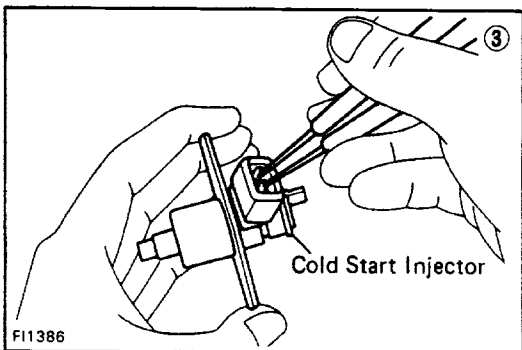
FI3893



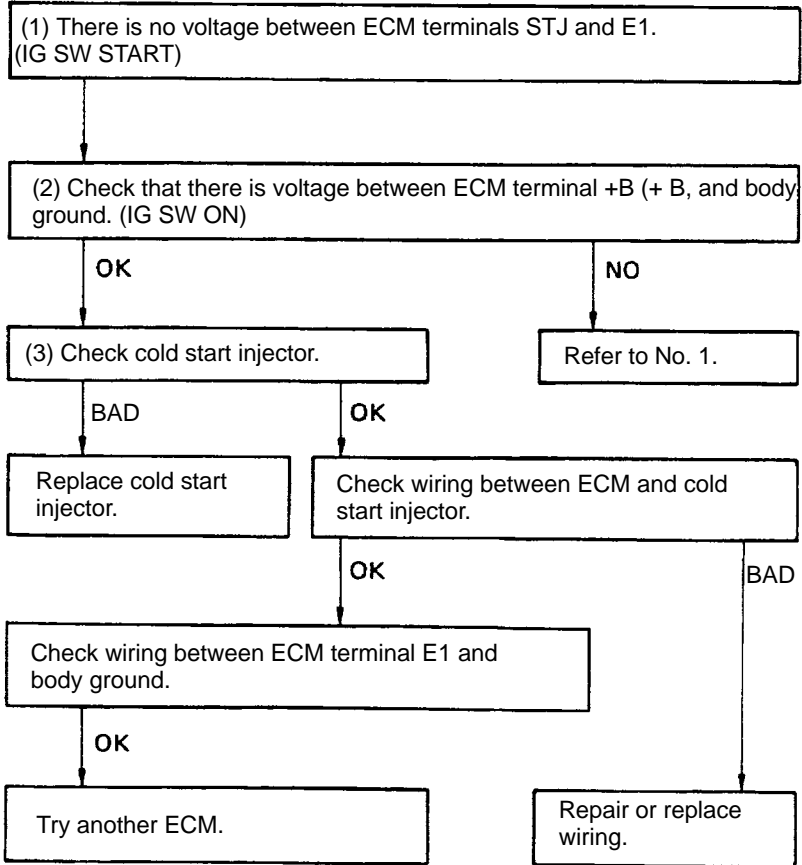
P09719



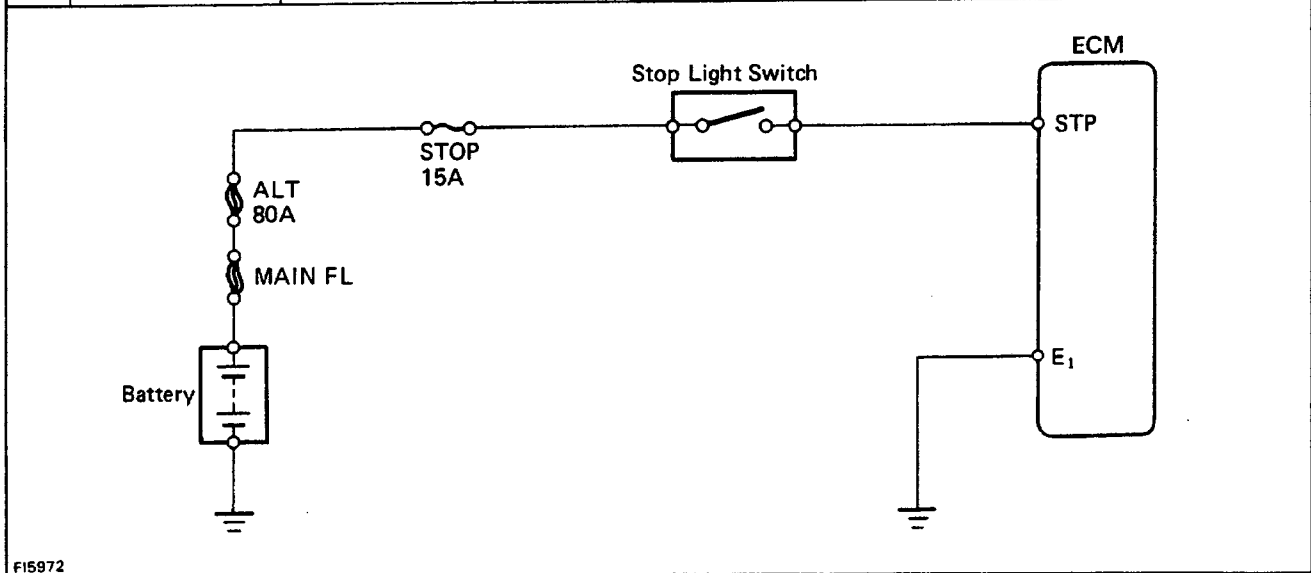
FI4039



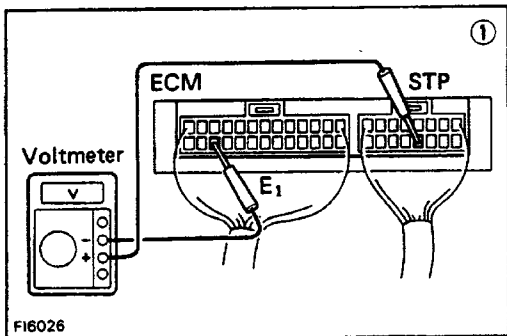
FI1386



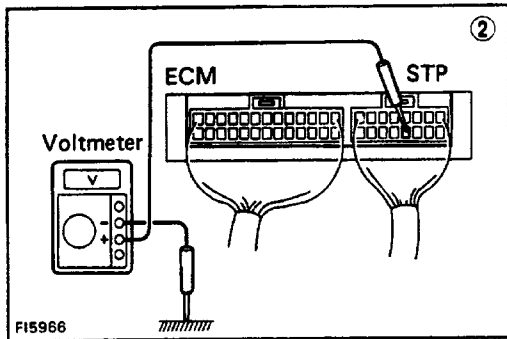
No.	Terminals	Trouble	Condition	STD Voltage
10	STP - E1	No voltage	Stop light switch ON	7.5 - 14 V



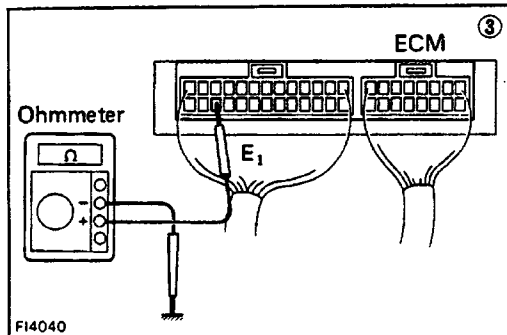
F15972



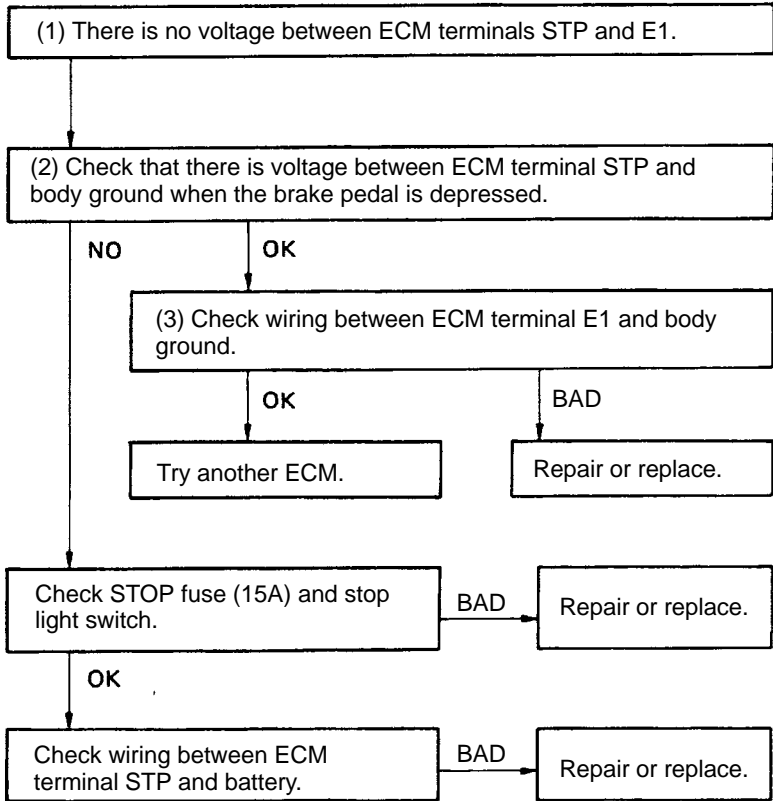
F16026



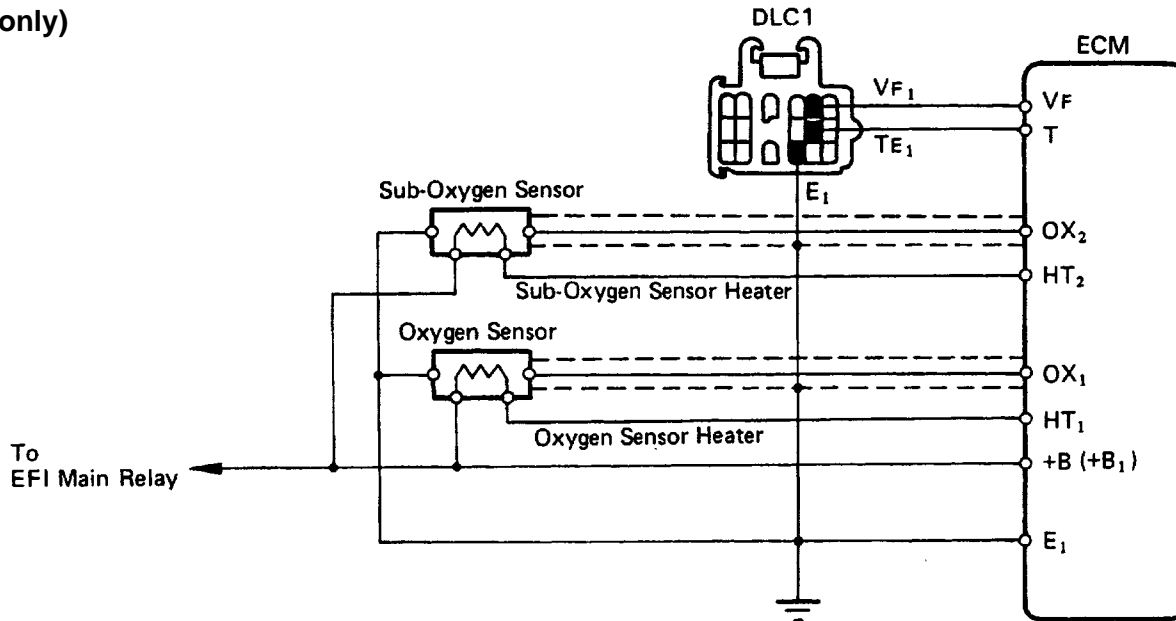
F15966



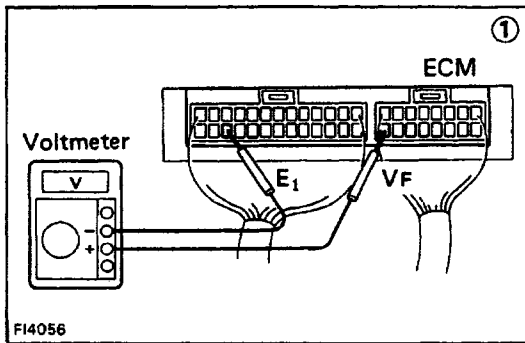
F14040



(California Vehicles only)



FI6077



FI4056

(1) There is no voltage between ECM terminals VF and E1.

Check that there is voltage between ECM terminal VF and body ground.

NO

OK

Check wiring between ECM terminal E1 and body ground.

OK

BAD

Try another ECM.

Repair or replace.

Is air leaking into air induction system?

YES

Repair air leak.

NO

Check spark plugs.

BAD

Repair or replace.

OK

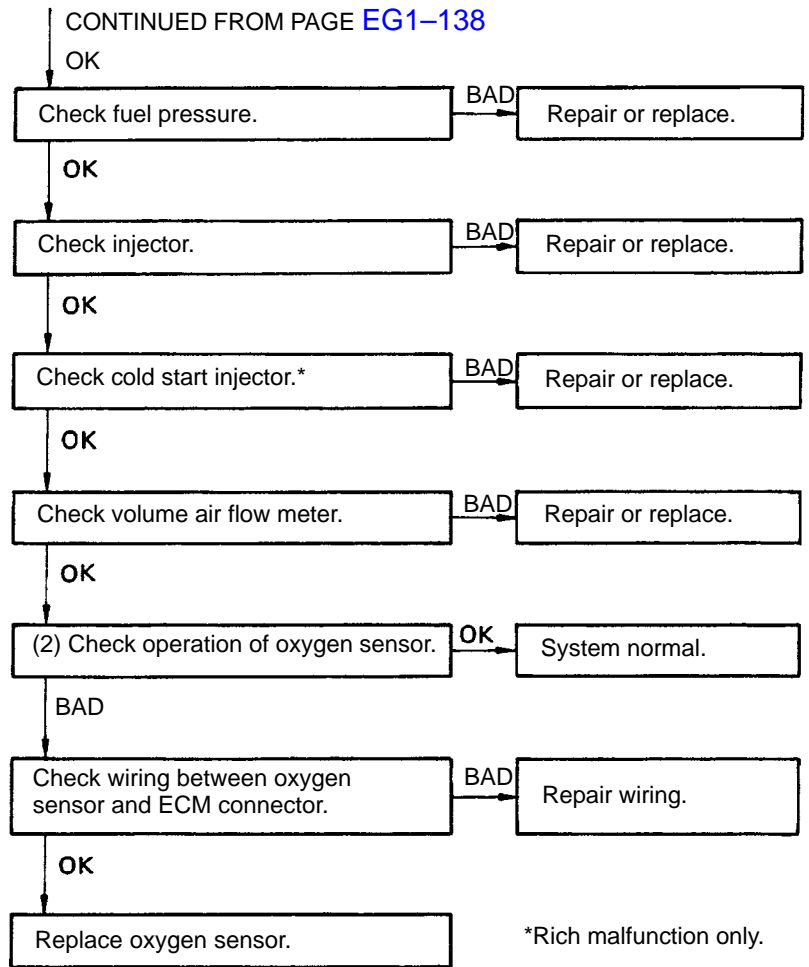
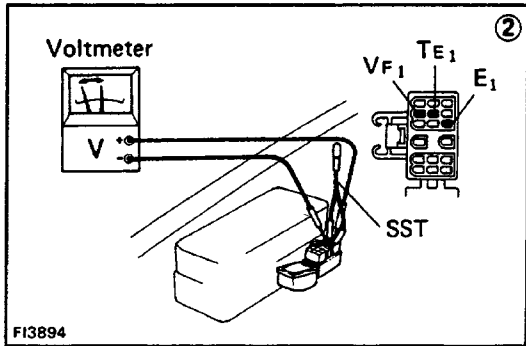
Check distributor and ignition system.

BAD

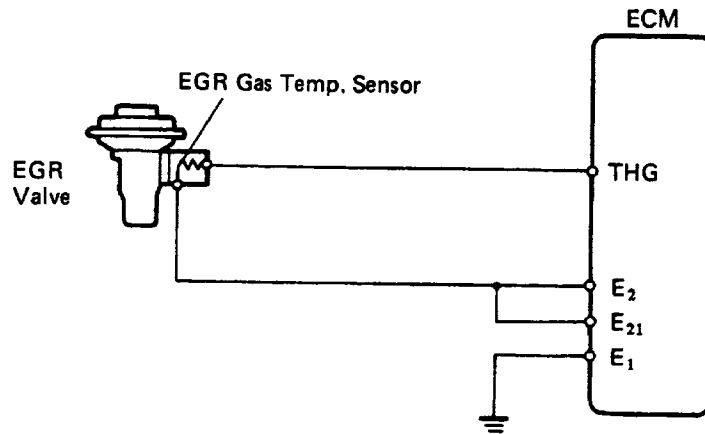
Repair or replace.

OK

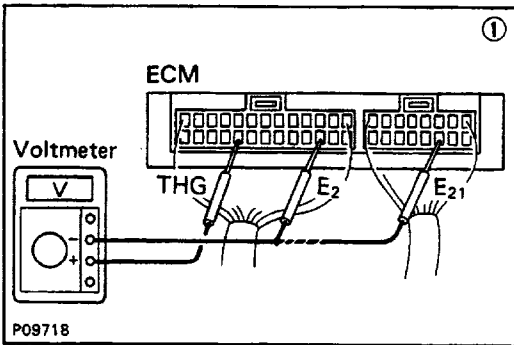
CONTINUED ON PAGE EG1-139



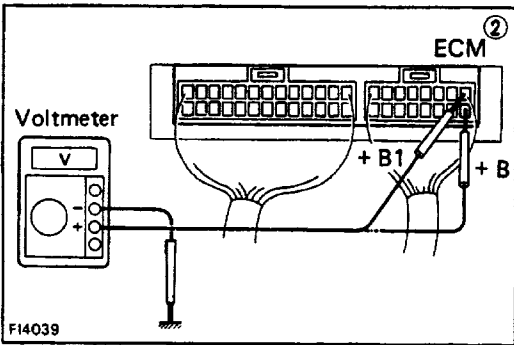
(California Vehicles only)



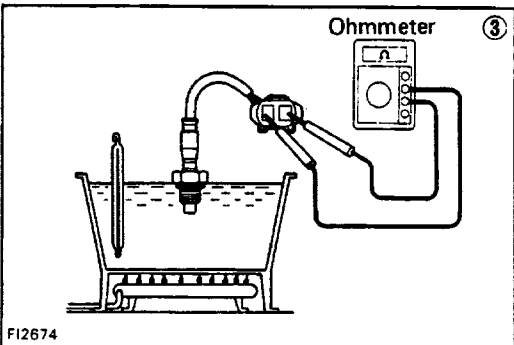
F13895



P09718



F14039



F12674

(1) There is no voltage between ECM terminals THG and E2 (E21).
(Engine running at 2,000 rpm)

(2) Check that there is voltage between ECM terminal + B (+ B1) and body ground. (IG SW ON)

OK
NO
Refer to No. 1.

Check wiring between ECM terminal E1 and body ground.

OK
BAD
Repair or replace.

Check EGR system. BAD
Repair or replace.

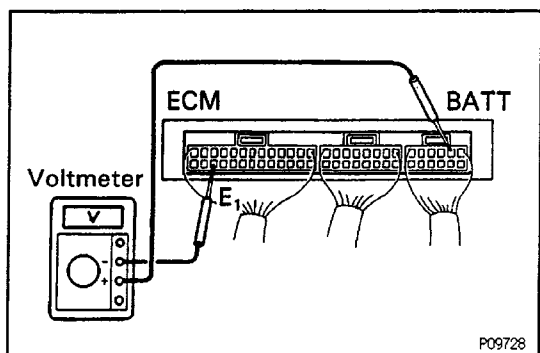
(3) Check EGR gas temp. sensor.

BAD
Replace EGR gas temp. sensor.

OK
Check wiring between ECM and EGR gas temp. sensor.

OK
Try another ECM.

BAD
Repair or replace.



MFI SYSTEM CHECK PROCEDURE (4WD M/T)

HINT:

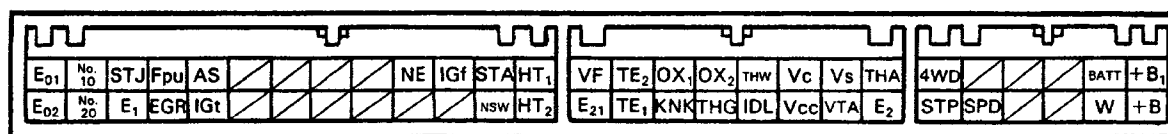
- Perform all voltage measurements with the connectors connected.
- Verify that the battery voltage is 11 V or more when the ignition switch is in "ON" position. Using a voltmeter with high impedance (10 kΩ/V minimum), measure the voltage at each terminal of the wiring connector.

Terminals of ECM KWD M/T)

Symbol	Terminal Name	Symbol	Terminal Name
E01	ENGINE GROUND	Ox1	OXYGEN SENSOR (MAIN)
E02	ENGINE GROUND	KNK	KNOCK SENSOR
No. 10	INJECTOR	* Ox2	OXYGEN SENSOR (SUB)
No. 20	INJECTOR	* THG	EGR GAS TEMP. SENSOR
STJ	COLD START INJECTOR	THW	ENGINE COOLANT TEMP. SENSOR
E1	ENGINE GROUND	IDL	THROTTLE POSITION SENSOR
Fpu	FUEL PRESSURE CONTROL VSV	Vc	VOLUME AIR FLOW METER
* EGR	EGR VSV	Vcc	THROTTLE POSITION SENSOR
AS	PAIR VSV	Vs	VOLUME AIR FLOW METER
IGt	IGNITER	VTA	-THROTTLE POSITION SENSOR
Ne	DISTRIBUTOR	THA	INTAKE AIR TEMP. SENSOR
IGf	IGNITER	E2	SENSOR GROUND
STA	STARTER SWITCH	4WD	4WD SWITCH
NSW	PNP SWITCH	STP	STOP LIGHT SWITCH
HT1	OXYGEN SENSOR HEATER (MAIN)	SPD	SPEED SENSOR
* HT2	OXYGEN SENSOR HEATER (SUB)	BATT	BATTERY POSITIVE VOLTAGE
VF	DLC 1	W	MALFUNCTION INDICATOR LAMP
E21	SENSOR GROUND	+B1	MAIN RELAY
TE2	D LC 1	+B	MAIN RELAY
TE1	D LC 1		

* : California only

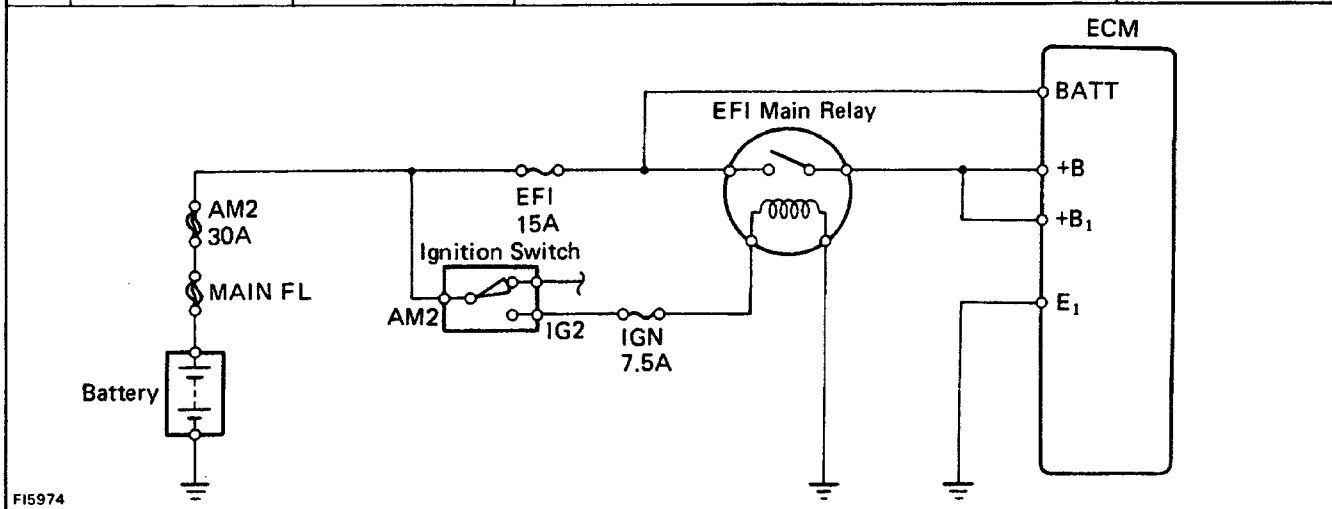
ECM Terminals



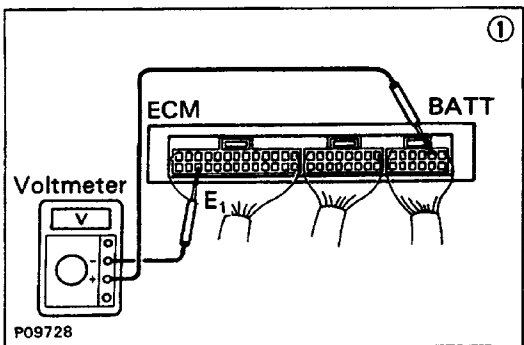
Voltage at ECM Wiring Connectors (4WD M/T)

No.	Terminals	Condition		STD voltage	See page
1	BATT - E ₁	--		9 - 14	EG1-143
	+B - E ₁	Ignition switch ON			
	+B ₁ - E ₁				
2	IDL - E ₂ (E ₂₁)	Ignition switch ON	Throttle valve open	9 - 14	EG1-145
	Vcc - E ₂ (E ₂₁)		--	4.5 - 5.5	
	VTA - E ₂ (E ₂₁)		Throttle valve fully closed	0.3 - 0.8	
			Throttle valve fully open	3.2 - 4.9	
3	Vc - E ₂ (E ₂₁)	Ignition switch ON	--	6-10	EG1-147
	Vs - E ₂ (E ₂₁)		Measuring plate fully closed	0.5-2.5	
			Measuring plate fully open	5-10	
		Idling	2-8		
	THA - E ₂ (E ₂₁)	Ignition switch ON	Intake air temperature 20°C (68°F)	0.5 - 3.4	
4	THW - E ₂ (E ₂₁)	Ignition switch ON	Coolant temperature 80°C (176°F)	0.2 - 1.0	EG1-149
5	STA - E ₁	Ignition switch START position		6-12	EG1-150
6	No. 10 - E ₀₁ No. 20 - E ₀₂	Ignition switch ON		9 - 14	EG1-151
7	IGt - E ₁	Idling		0.7-1.0	EG1-152
8	W - E ₁	No trouble (MIL off) and engine running		9 - 14	EG1-153
9	STJ - E ₁	Ignition switch START position	Coolant temperature 80°C (176°F)	6-12	EG1-154
10	STP - E ₁	Stop light switch ON		7.5 - 14	EG1-155

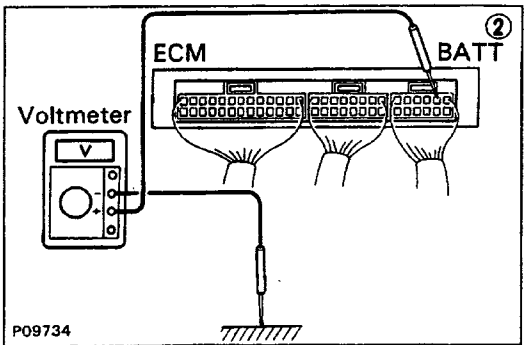
No.	Terminals	Trouble	Condition	STD Voltage
1	BATT - E ₁	No voltage	-	9 - 14 V
	+B - E ₁		Ignition switch ON	
	+B ₁ - E ₁			



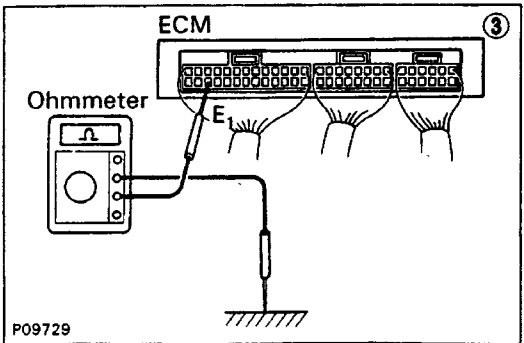
F15974



P09728

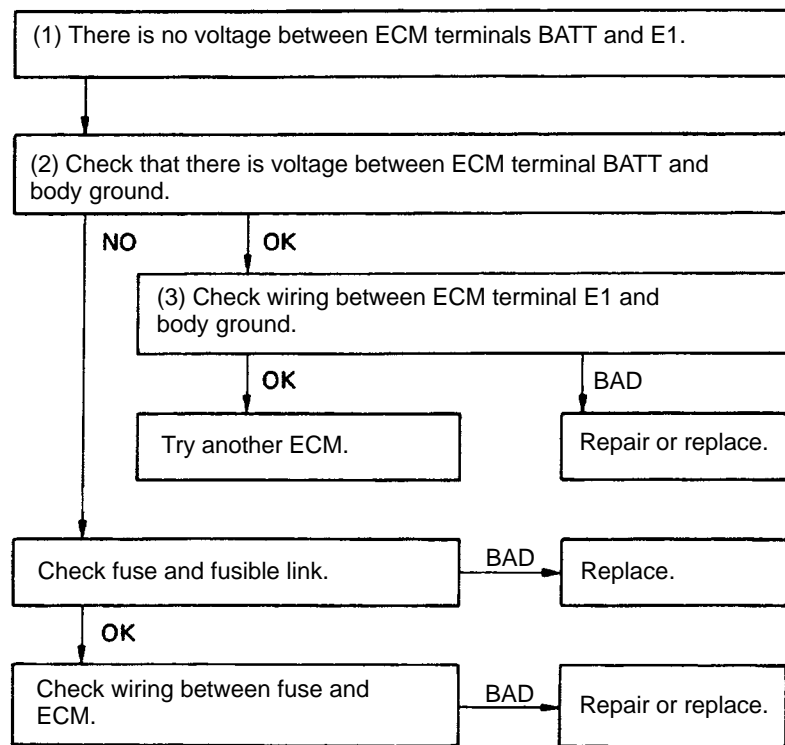


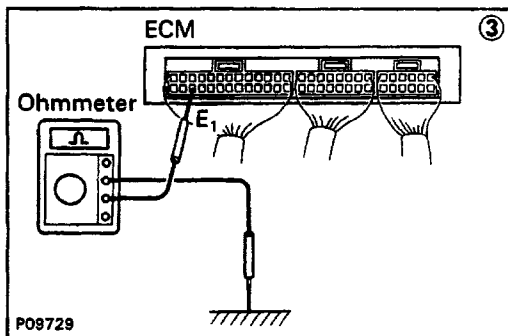
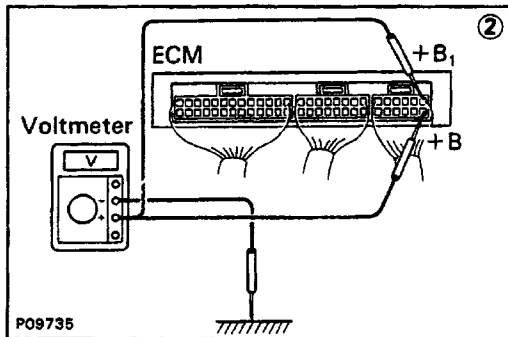
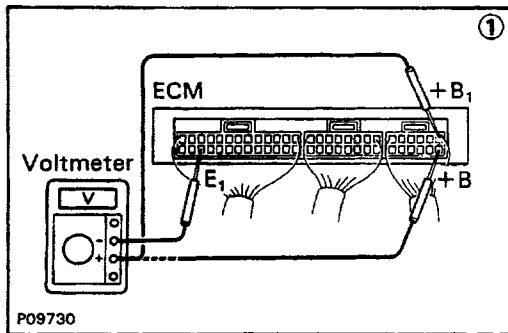
P09734



P09729

• BATT - E 1





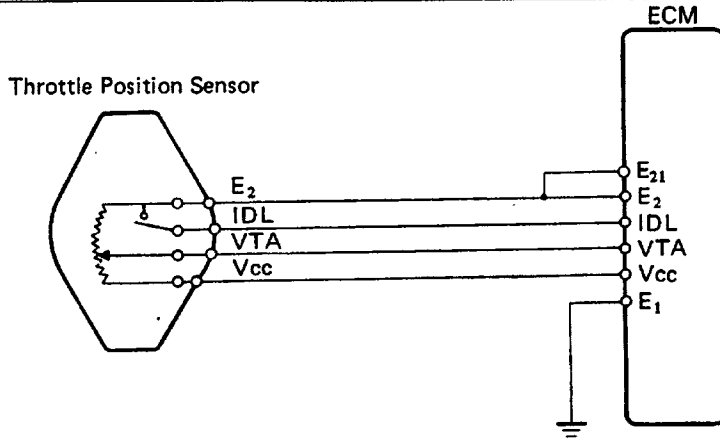
• +B (B1) - E1

```

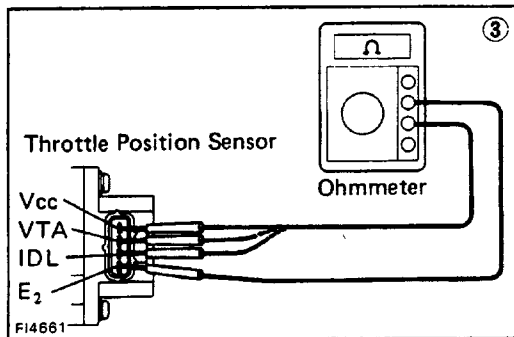
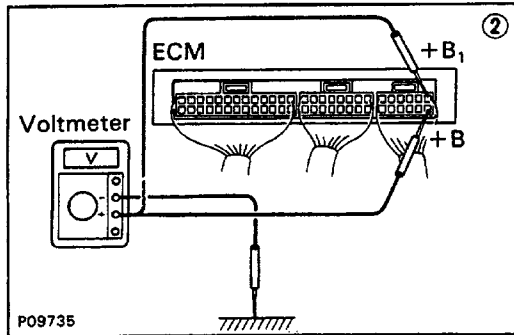
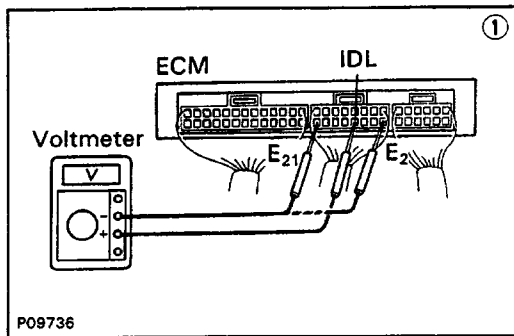
    graph TD
      Step1["(1) There is no voltage between ECM terminals + B (+ B1) and E1. (IG SW ON)"]
      Step2["(2) Check that there is voltage between ECM terminal + B (+ B1) and body ground. (IG SW ON)"]
      Step3["(3) Check wiring between ECM terminal E1 and body ground."]
      CheckFuse["Check fuse, fusible link and ignition switch."]
      CheckRelay["Check EFI main relay."]
      CheckWiring1["Check wiring between EFI main relay and battery."]
      CheckWiring2["Check wiring between EFI main relay and ECM terminal + B (+ B1)."]
      TryECM["Try another ECM."]
      Repair1["Repair or replace."]
      Repair2["Repair or replace."]
      Repair3["Repair or replace."]
      Repair4["Replace."]
      Repair5["Repair or replace."]
      Repair6["Repair or replace."]

      Step1 --> Step2
      Step2 -- NO --> CheckFuse
      Step2 -- OK --> Step3
      Step3 -- OK --> CheckRelay
      Step3 -- BAD --> Repair1
      CheckFuse -- OK --> CheckRelay
      CheckFuse -- BAD --> Repair2
      CheckRelay -- OK --> CheckWiring1
      CheckRelay -- BAD --> Repair4
      CheckWiring1 -- OK --> CheckWiring2
      CheckWiring1 -- BAD --> Repair5
      CheckWiring2 -- OK --> End
      CheckWiring2 -- BAD --> Repair6
      TryECM --> Repair1
  
```

No.	Terminals	Trouble	Condition	STD Voltage	
2	IDL - E ₂ (E ₂₁)	No voltage	Ignition switch ON	Throttle valve open	9 - 14 V
	Vcc - E ₂ (E ₂₁)			-	4.5 - 5.5 V
	VTA - E ₂ (E ₂₁)			Throttle valve fully closed	0.3 - 0.8 V
				Throttle valve fully open	3.2 - 4.9 V



FI3877



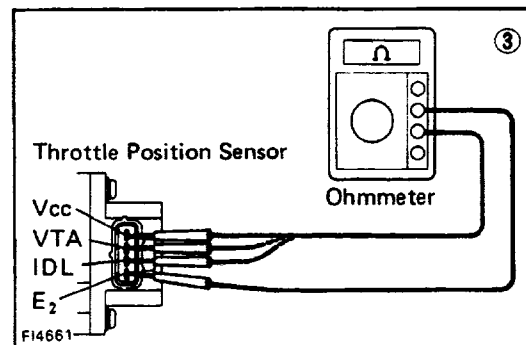
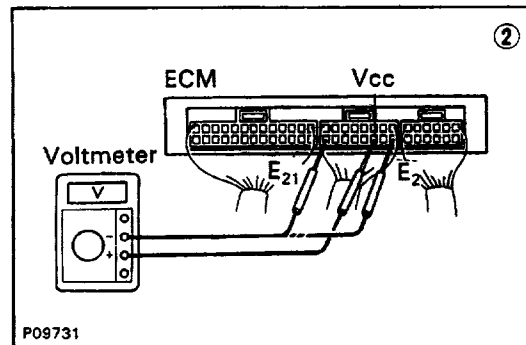
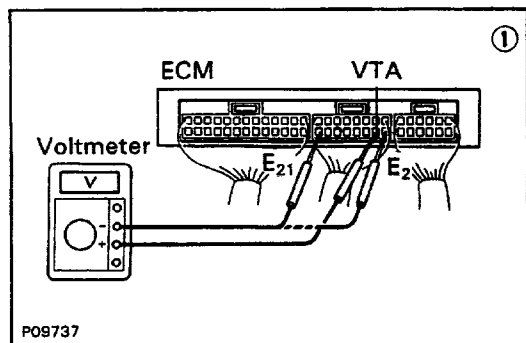
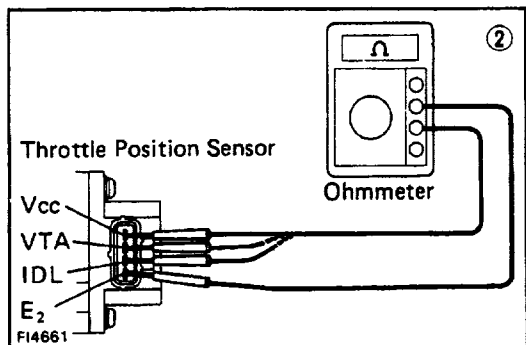
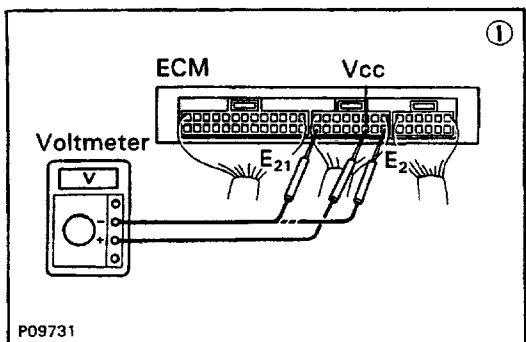
• IDL - E2 (E21)

(1) There is no voltage between ECM terminals IDL and E2 (E21). (IG SW ON)

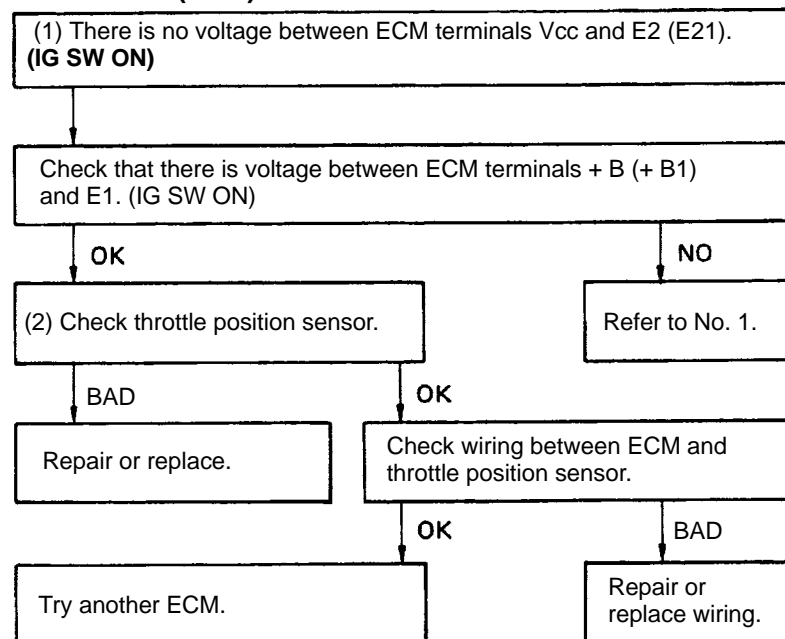
(2) Check that there is voltage between ECM terminal + B (+ B1) and body ground. (IG SW ON)

```

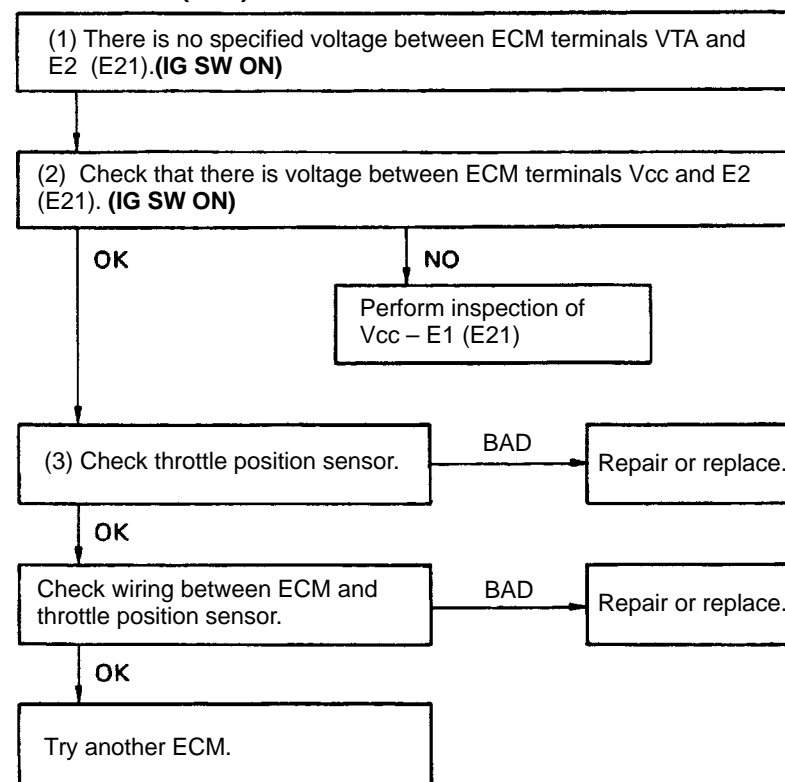
    graph TD
        A["(1) There is no voltage between ECM terminals IDL and E2 (E21). (IG SW ON)"] --> B["(2) Check that there is voltage between ECM terminal + B (+ B1) and body ground. (IG SW ON)"]
        B -- NO --> C["Refer to No. 1."]
        B -- OK --> D["Check wiring between ECM terminal E1 and body ground."]
        C -- BAD --> E["Replace or repair."]
        C -- OK --> F["(3) Check throttle position sensor."]
        D -- OK --> F
        D -- BAD --> G["Replace or repair."]
        F -- BAD --> H["Replace or repair throttle position sensor."]
        F -- OK --> I["Check wiring between ECM and throttle position sensor."]
        I -- OK --> J["Try another ECM."]
        I -- BAD --> G
    
```



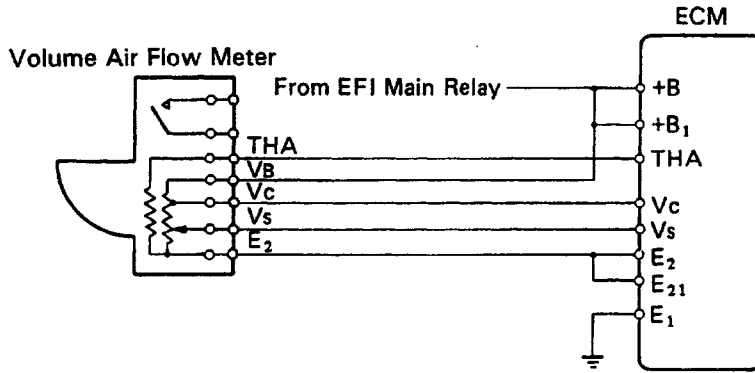
• **Vcc - E2 (E21)**



• **VTA - E2 (E21)**

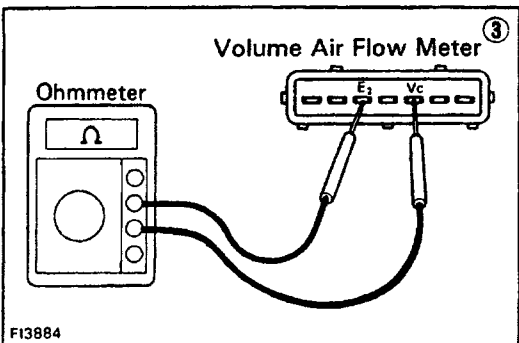
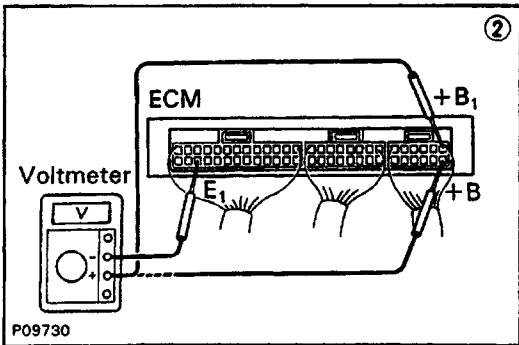
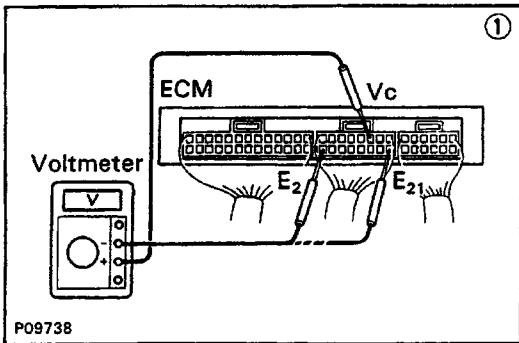
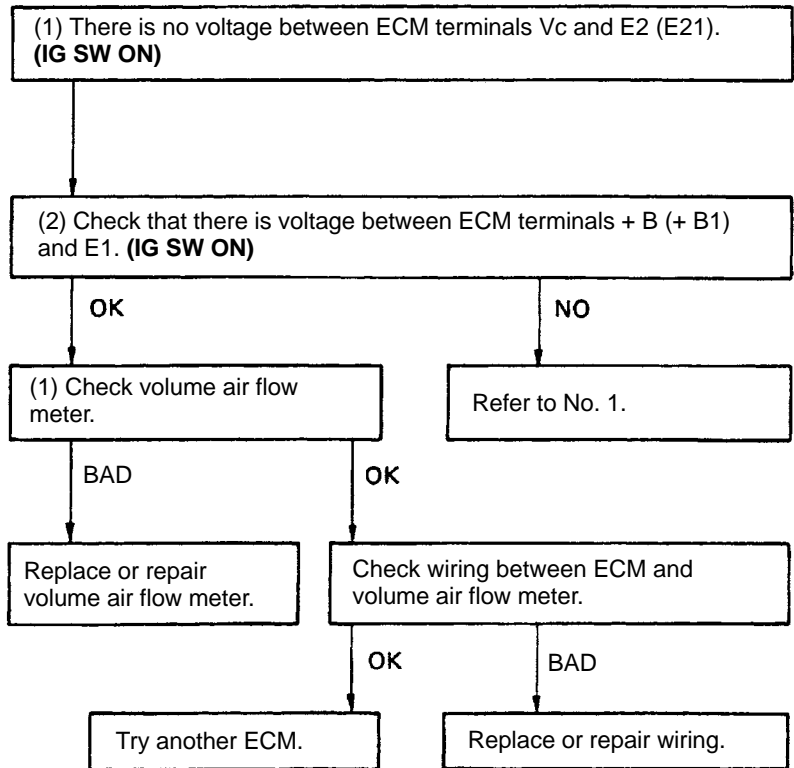


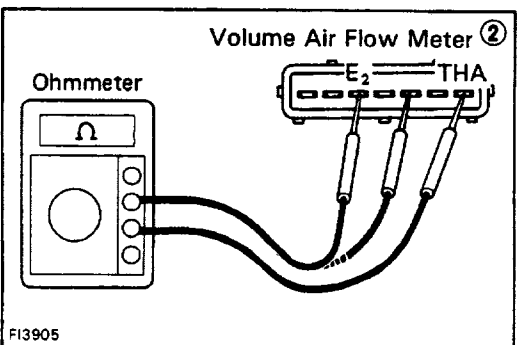
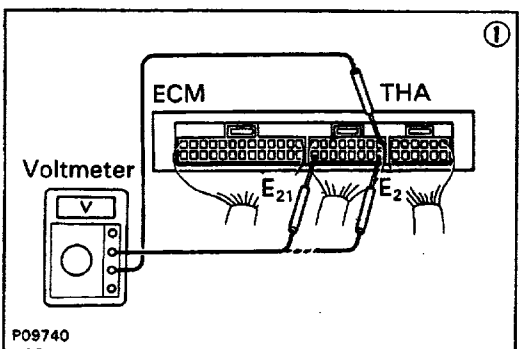
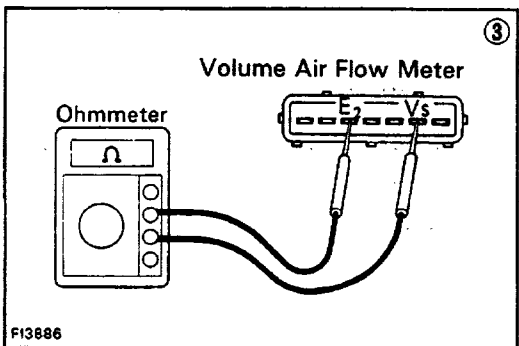
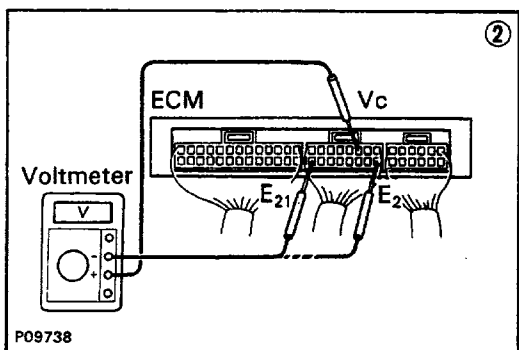
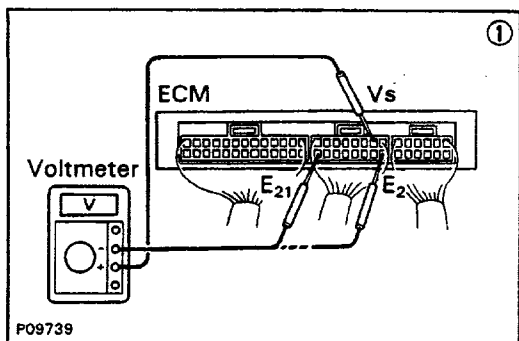
No.	Terminals	Trouble	Condition	STD Voltage	
3	Vc - E ₂ (E ₂₁)	No voltage	Ignition switch ON	-	6 - 10 V
	Vs - E ₂ (E ₂₁)			Measuring plate fully closed	0.5 - 2.5 V
				Measuring plate fully open	5 - 10 V
	THA - E ₂ (E ₂₁)		Idling		2 - 8 V
Intake air temperature 20°C (68° F)		0.5 - 3.4 V			



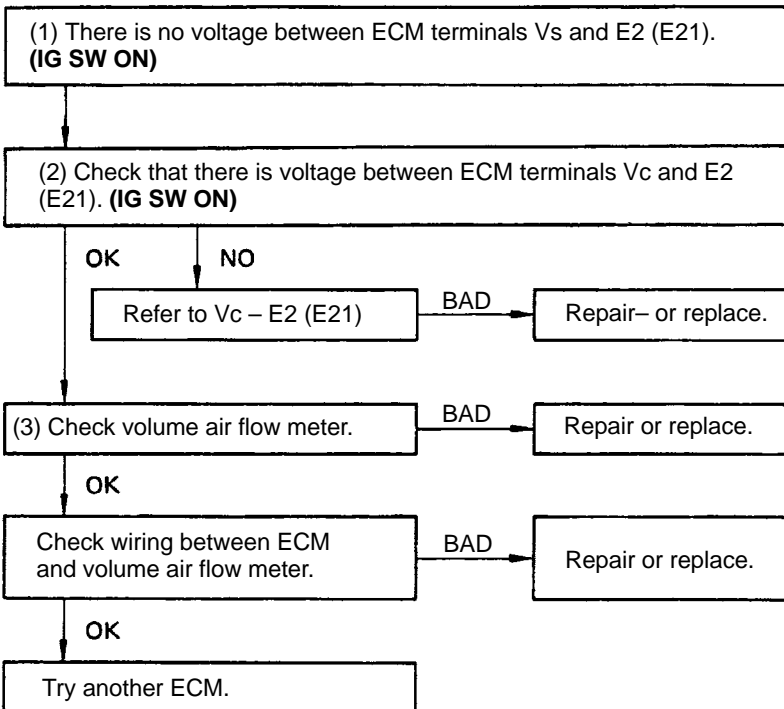
FI3881

• Vc - E2 (E21)

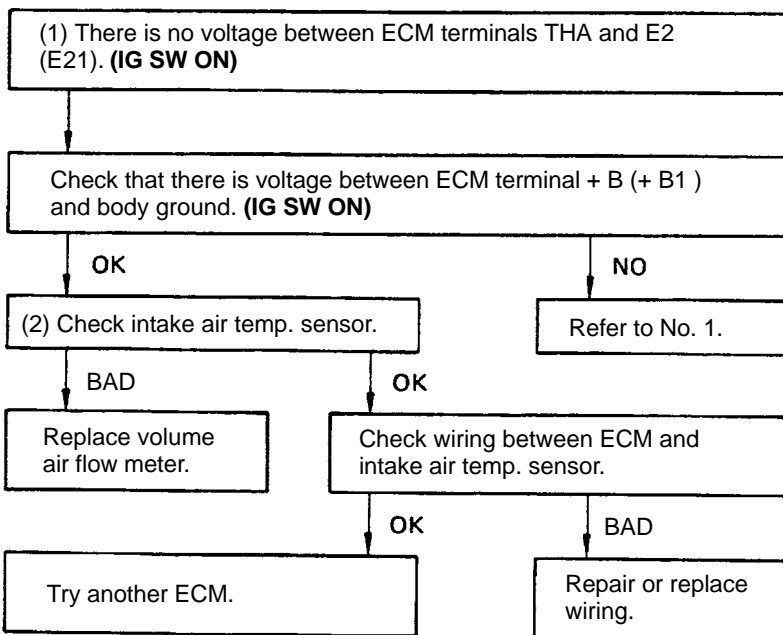




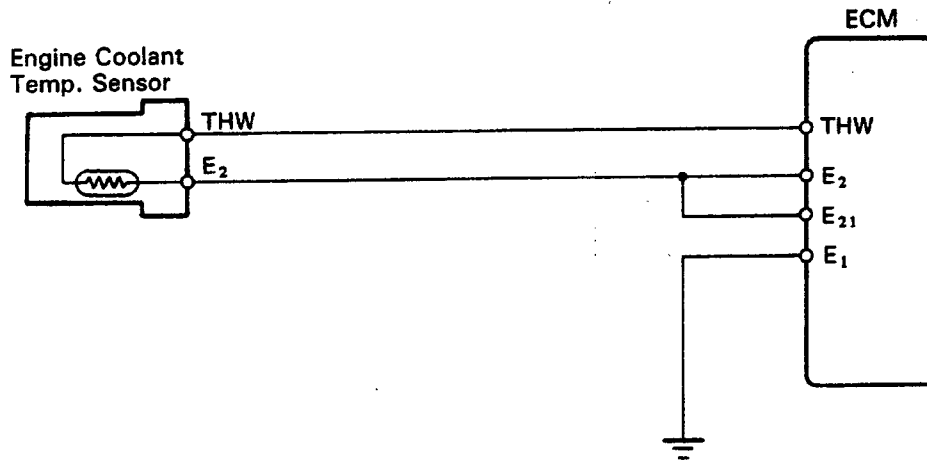
• Vs - E2 (E21)



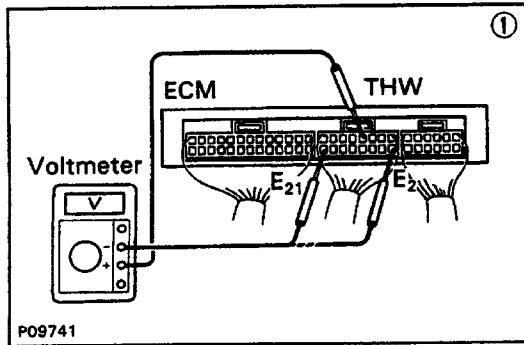
• THA - E2 (E21).



No.	Terminals	Trouble	Condition		STD- Voltage
4	THW - E ₂ (E ₂₁)	No voltage	Ignition switch ON	Coolant temperature 80°C (176°)	0.2 - 1.0 V



F15971



P09741

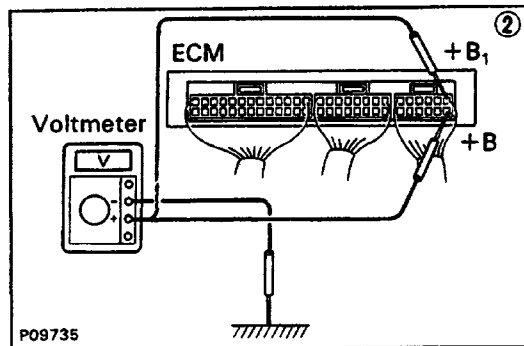
(1) There is no voltage between ECM terminals THW and E₂ (E₂₁).
(IG SW ON)

(2) Check that there is voltage between ECM terminal +B (+B₁) and body ground.* (IG SW ON)

OK

NO

Refer to No. 1.



P09735

Check wiring between ECM terminal E₁ and body ground.

OK

BAD

Check engine coolant temp. sensor.

Repair or replace.

BAD

Replace engine coolant temp. sensor.

OK

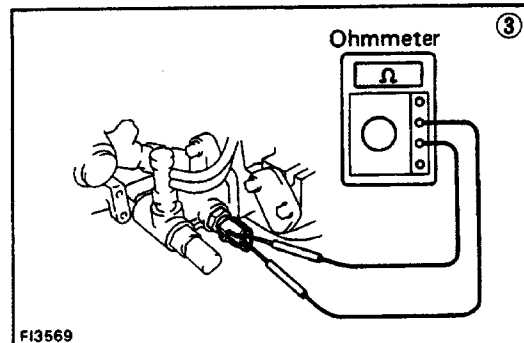
Check wiring between ECM and engine coolant temp. sensor.

OK

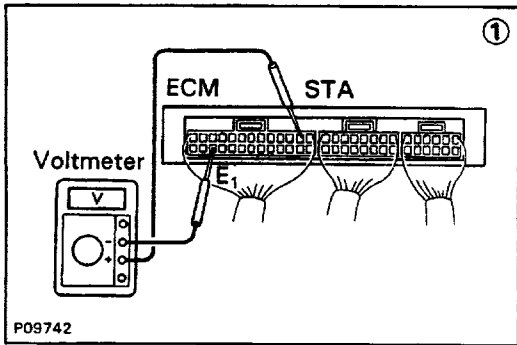
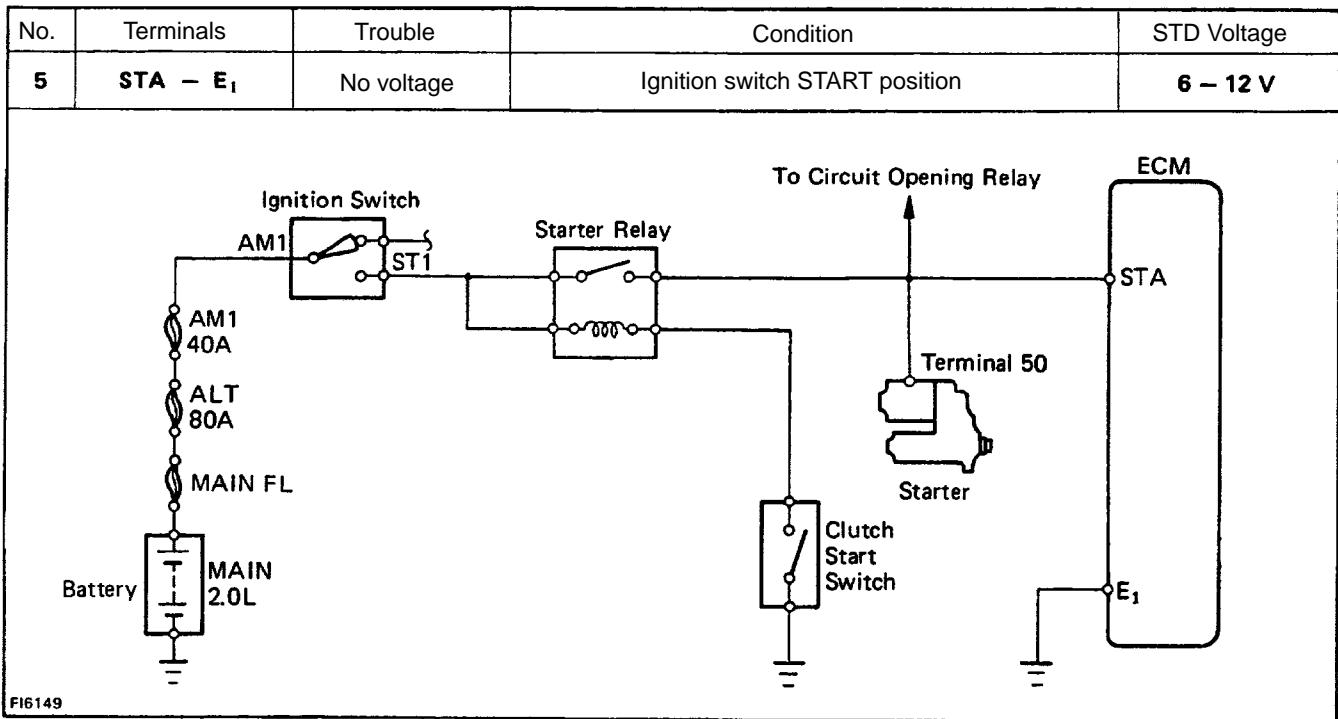
Try another ECM.

BAD

Repair or replace.



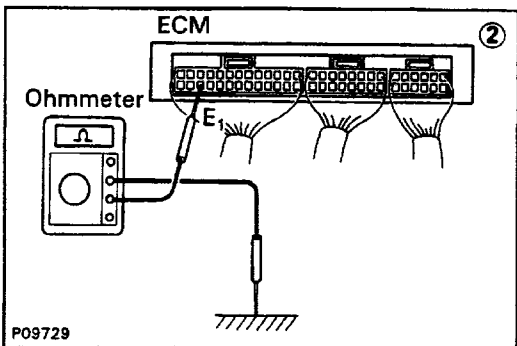
F13569



(1) There is no voltage between ECM terminals STA and E₁.
(IG SW START)

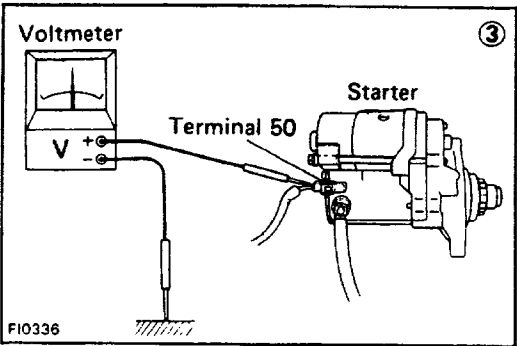
Check starter operation.

OK → Check wiring between ECM and ignition switch terminal ST.
BAD → Repair or replace.



(2) Check wiring between ECM terminal E₁ and body ground.

OK → Try another ECM.
BAD → Repair or replace.

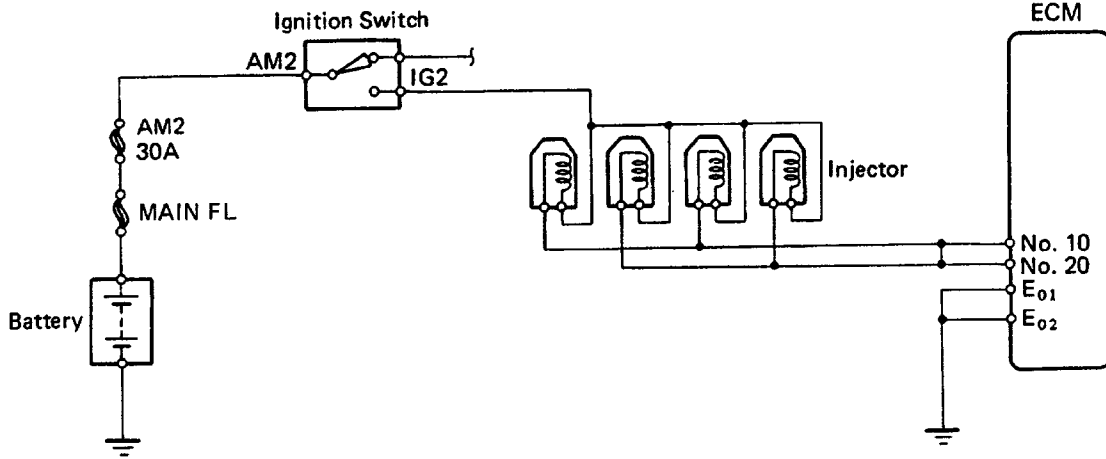


Check fusible link, battery, wiring and ignition switch.
BAD → Repair or replace.

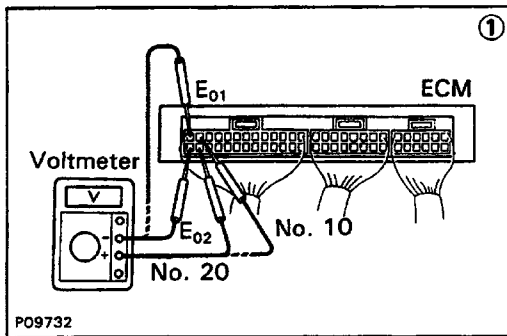
(3) Check that there is voltage at terminal 50 of starter.
(IG SW START) STD voltage: 6 - 12 V

OK → Check starter. (See ST section)
NO → Check wiring between ignition switch ST1 terminal and starter terminal 50.

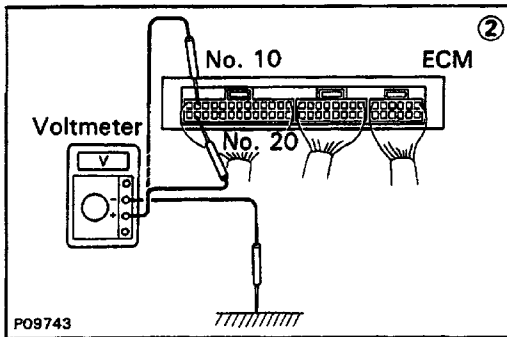
No.	Terminals	Trouble	Condition	STD Voltage
6	No. 10 - E ₀₁ No. 20 - E ₀₂	No voltage	Ignition switch ON	9 - 14 V



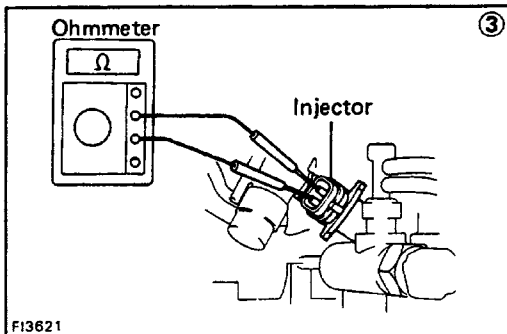
F15975



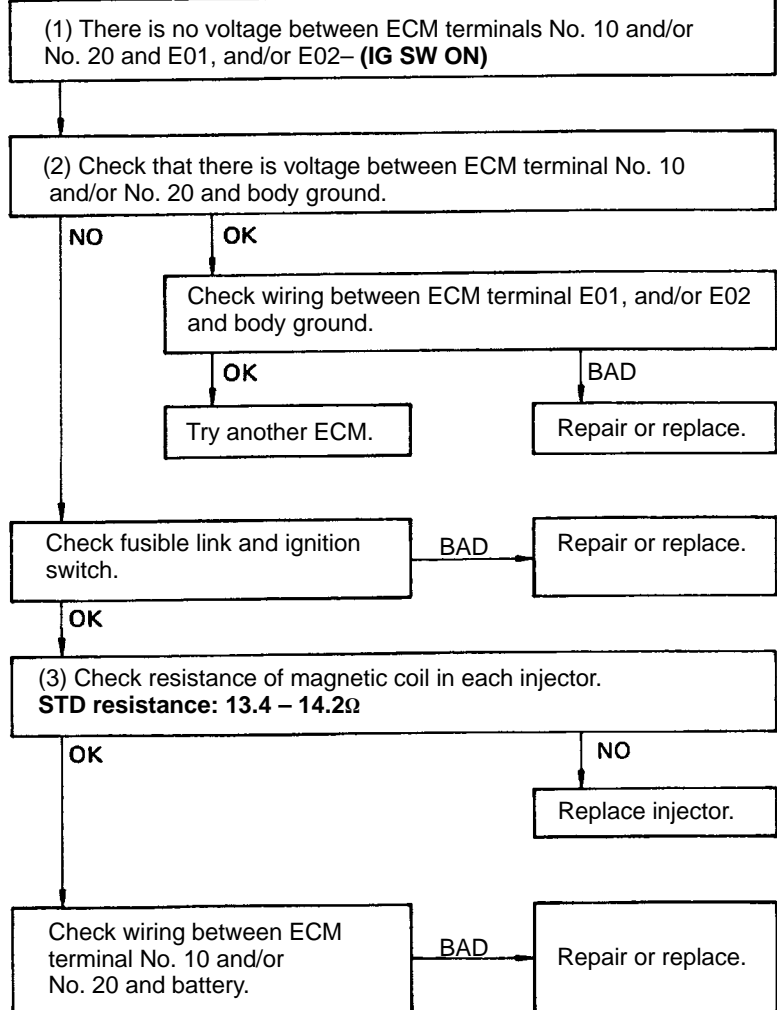
P09732



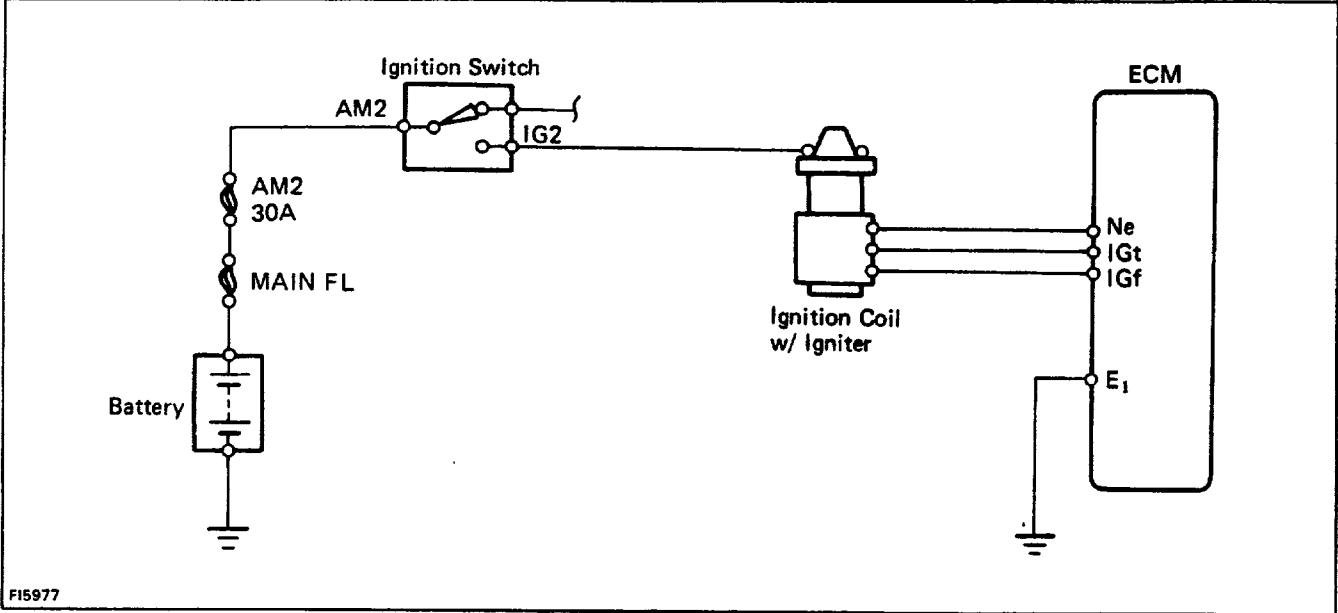
P09743



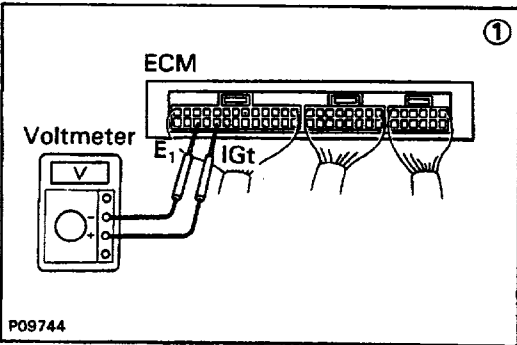
F13621



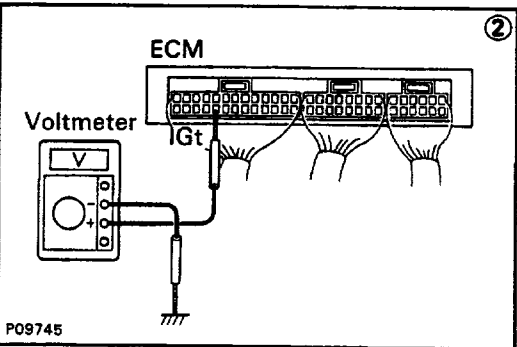
No.	Terminals	Trouble	Condition	STD Voltage
7	IGt - E ₁	No voltage	Idling	0.7 - 1.0 V



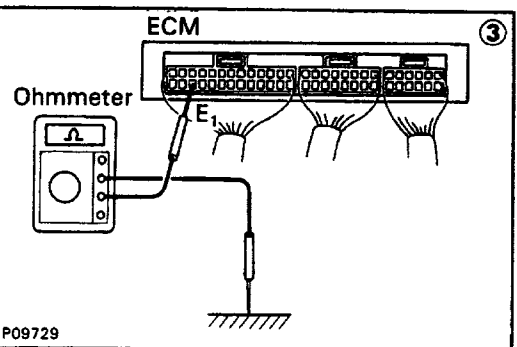
F15977



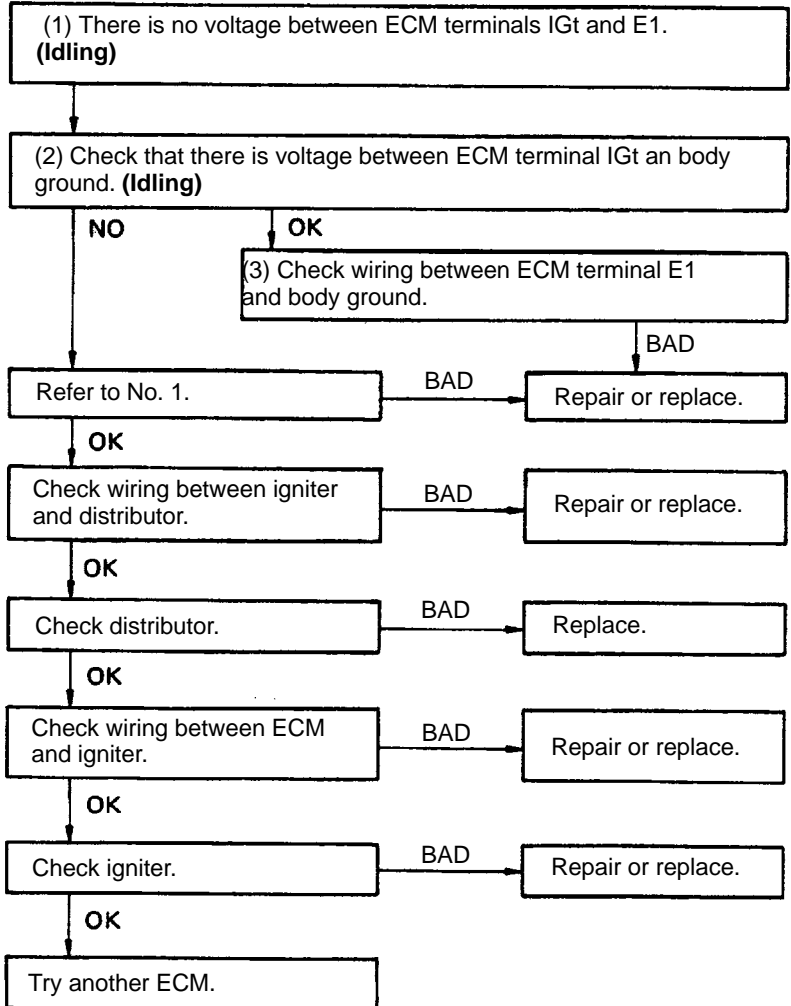
P09744



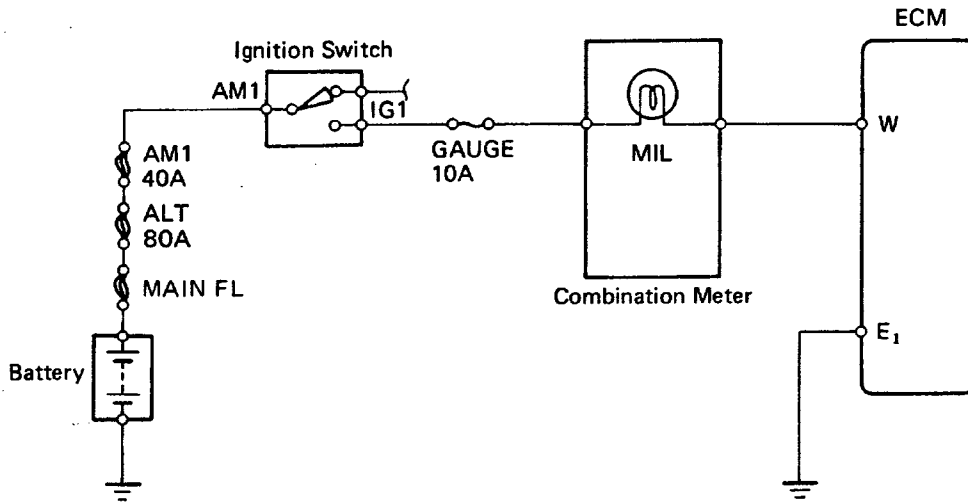
P09745



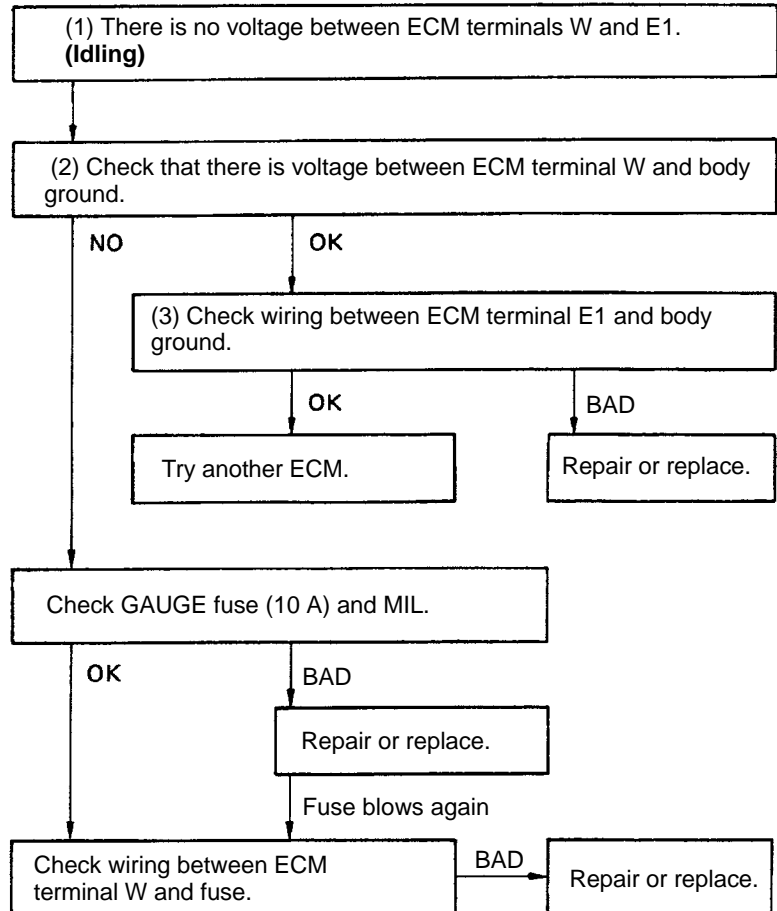
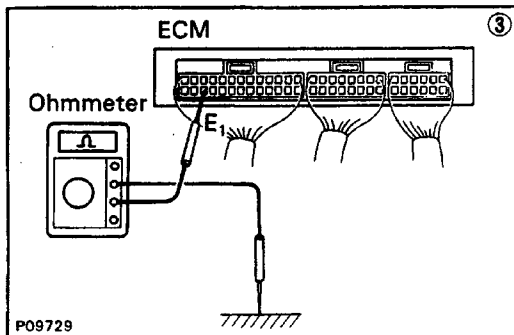
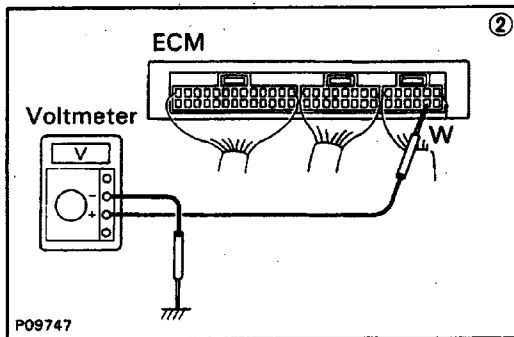
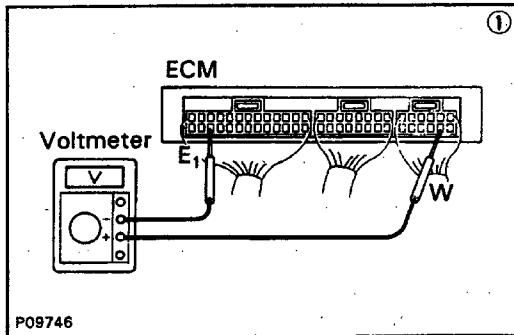
P09729

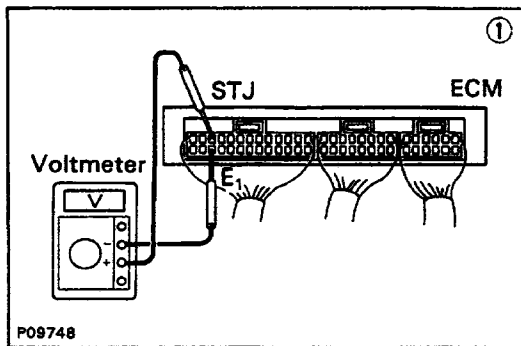
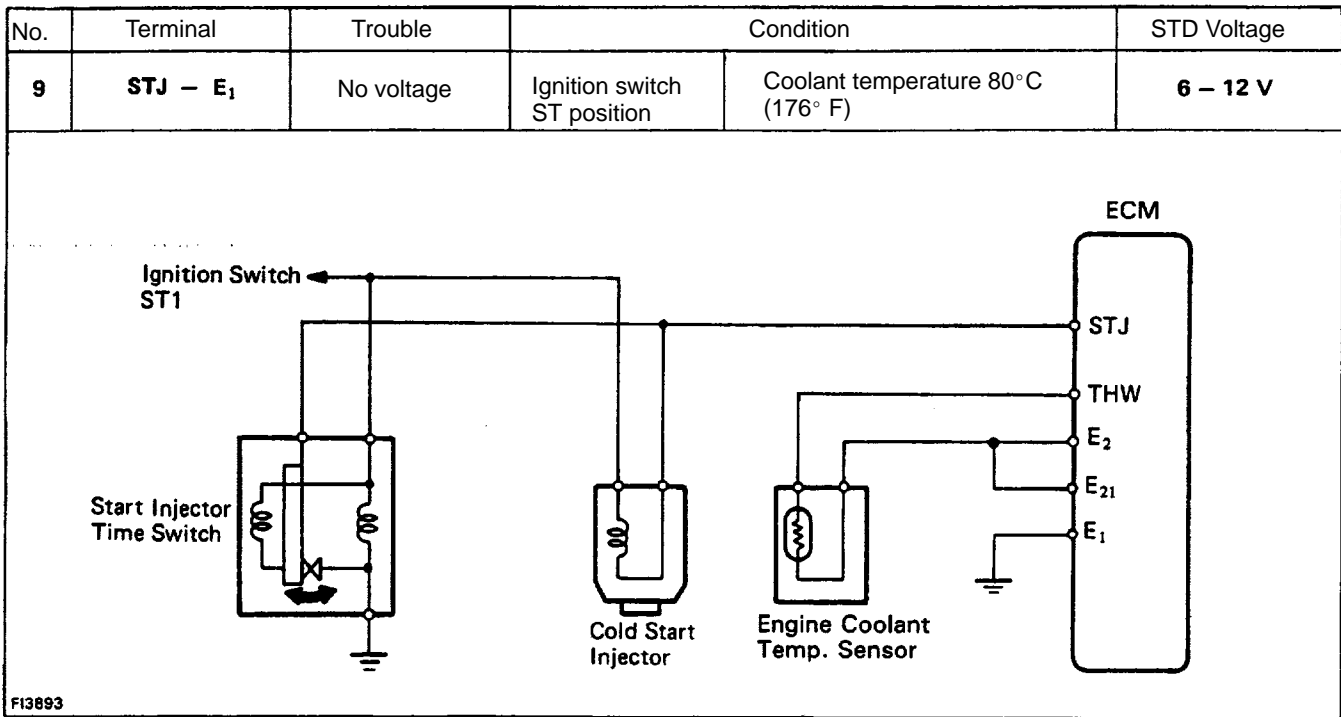


No.	Terminals	Trouble	Condition	STD Voltage
8	W - E ₁	No voltage	No trouble (MIL off) and engine running	9 - 14 V



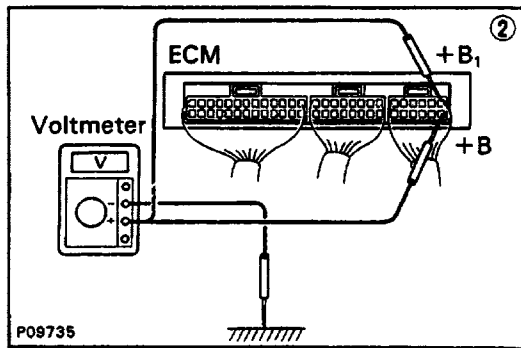
F15979





(1) There is no voltage between ECM terminals STJ and E1 (IG SW ON)

(2) Check that there is voltage between ECM terminal + B (+ B1) and body ground. (IG SW ON)



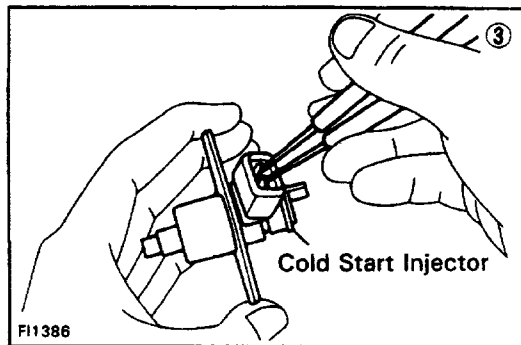
(3) Check cold start injector.

Refer to No. 1.

Replace cold start injector.

Check wiring between ECM and cold start injector.

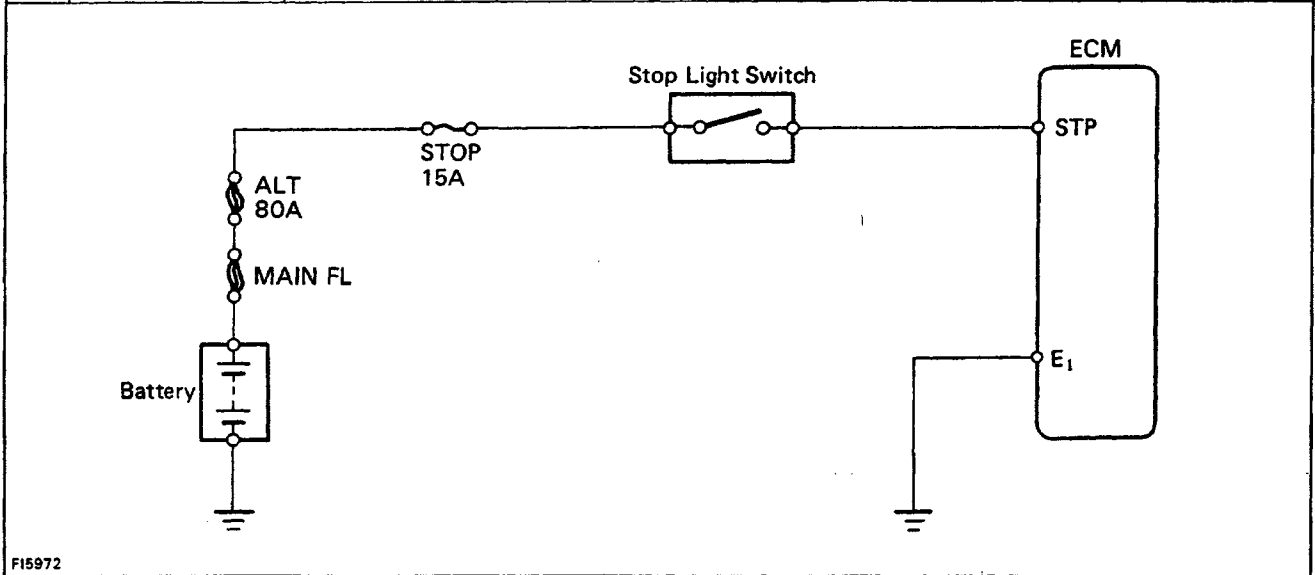
Check wiring between ECM terminal E1 and body ground.



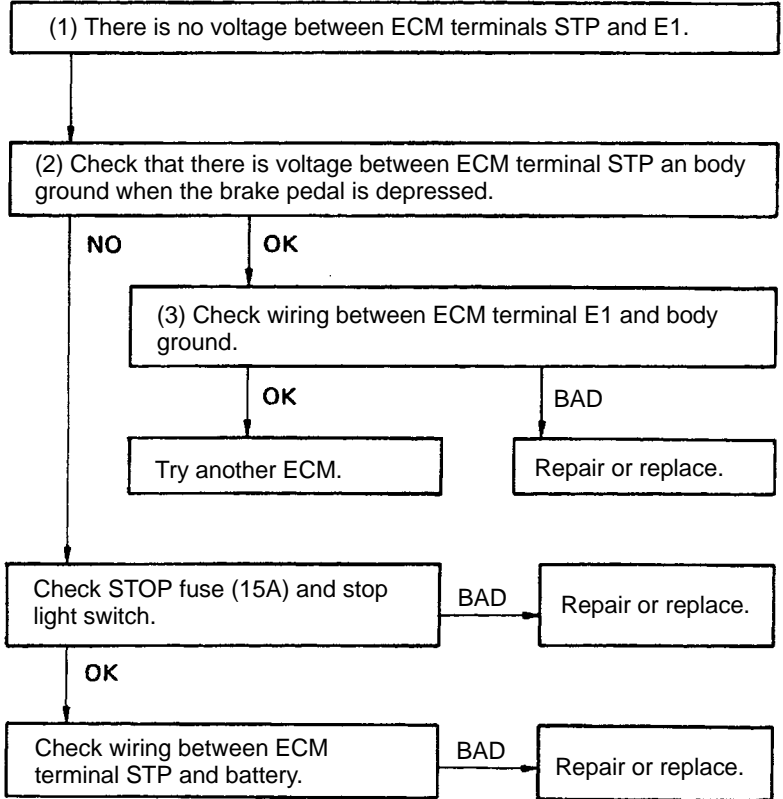
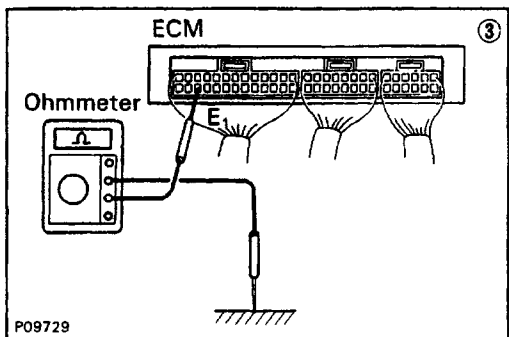
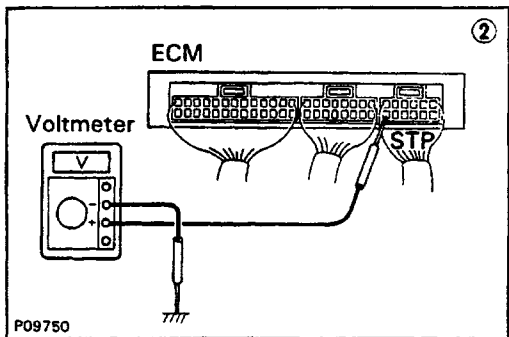
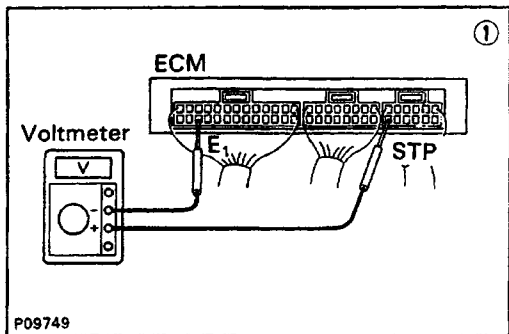
Try another ECM.

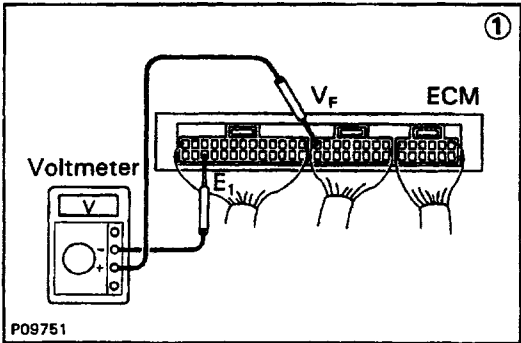
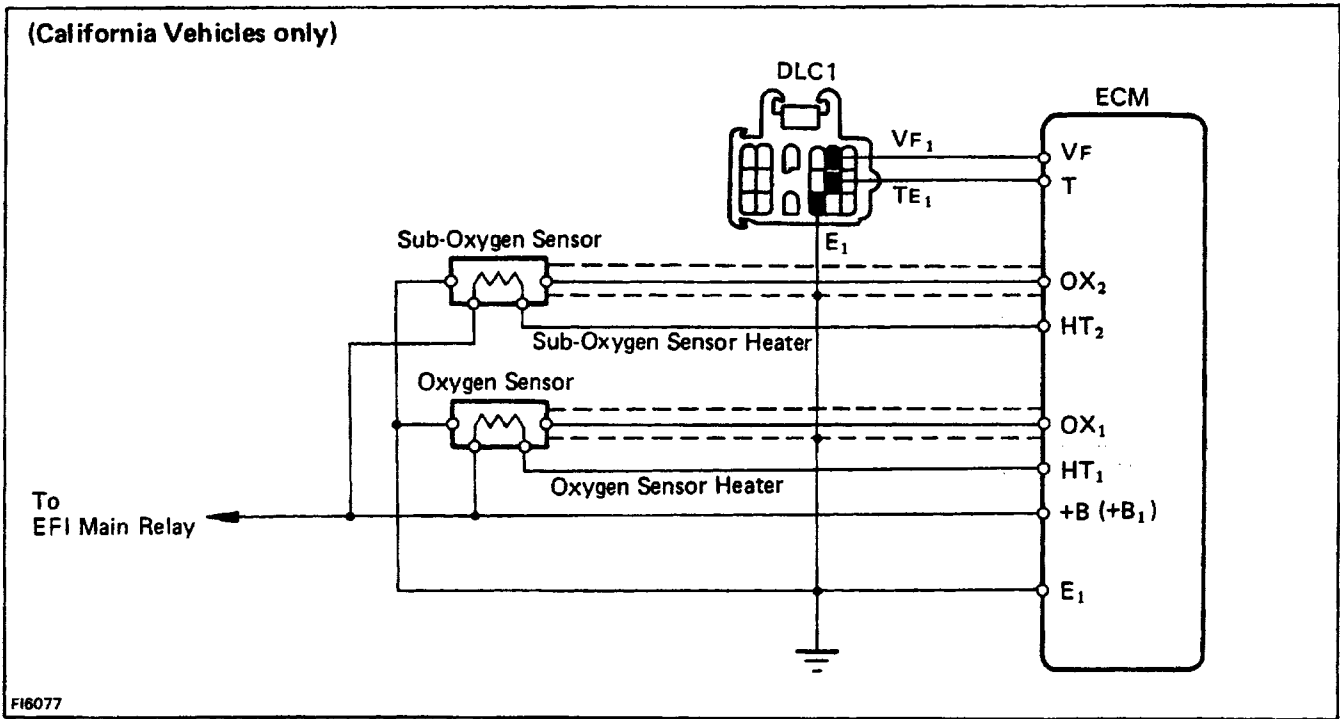
Repair or replace wiring.

No.	Terminals	Trouble	Condition	STD Voltage
10	STP - E ₁	No voltage	Stop tight switch ON	7.5 - 14 V



F15972

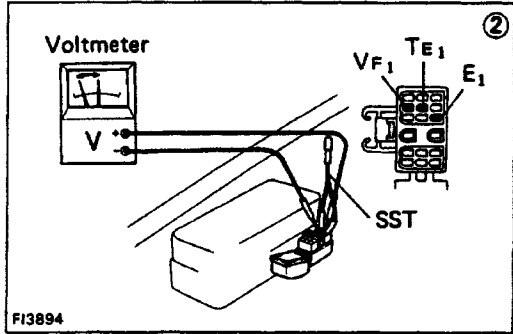




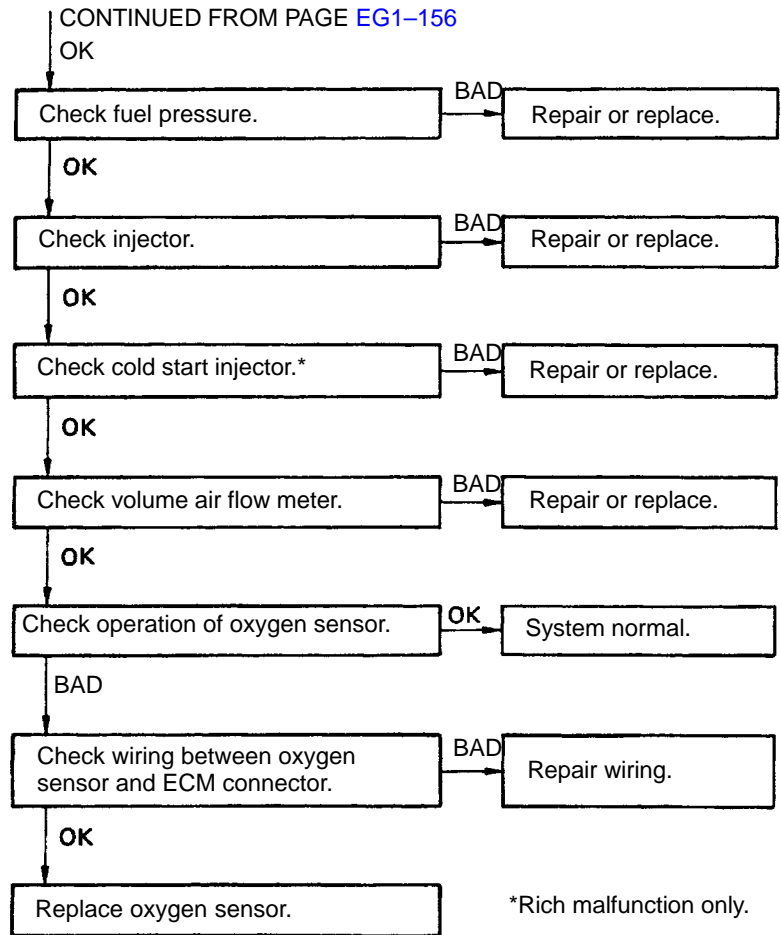
```

    graph TD
      A["(1) There is no voltage between ECM terminals VF and E1."] --> B["(2) Check that there is voltage between ECM terminal VF and body ground."]
      B -- NO --> C["Is air leaking into air induction system?"]
      B -- OK --> D["Check wiring between ECM terminal E1 and body ground."]
      D -- OK --> E["Try another ECM."]
      D -- BAD --> F["Repair or replace."]
      C -- YES --> G["Repair air leak."]
      C -- NO --> H["Check spark plugs."]
      H -- BAD --> I["Repair or replace."]
      H -- OK --> J["Check distributor and ignition system."]
      J -- BAD --> K["Repair or replace."]
      J -- OK --> L["OK"]
  
```

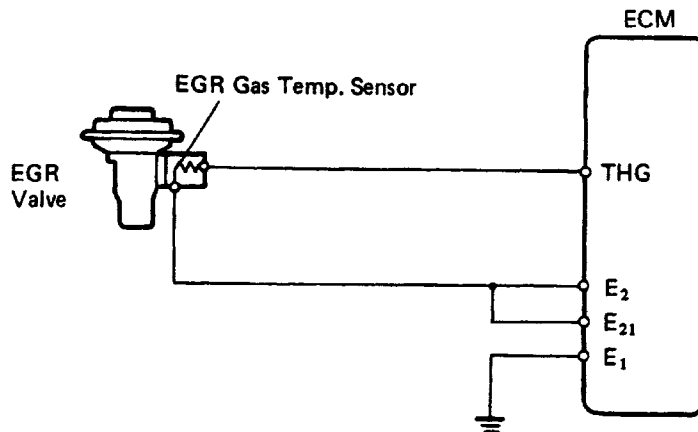
CONTINUED ON PAGE [EG1-157](#)



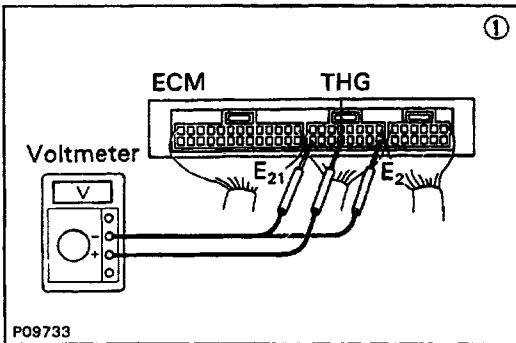
F13894



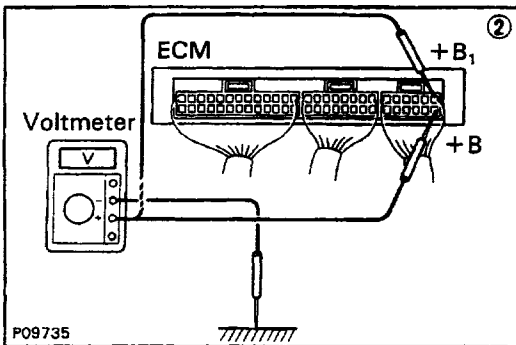
(California Vehicles only)



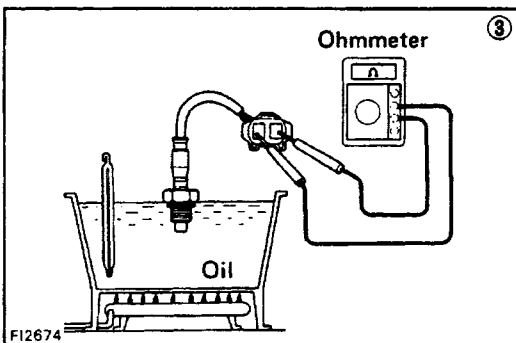
F13895



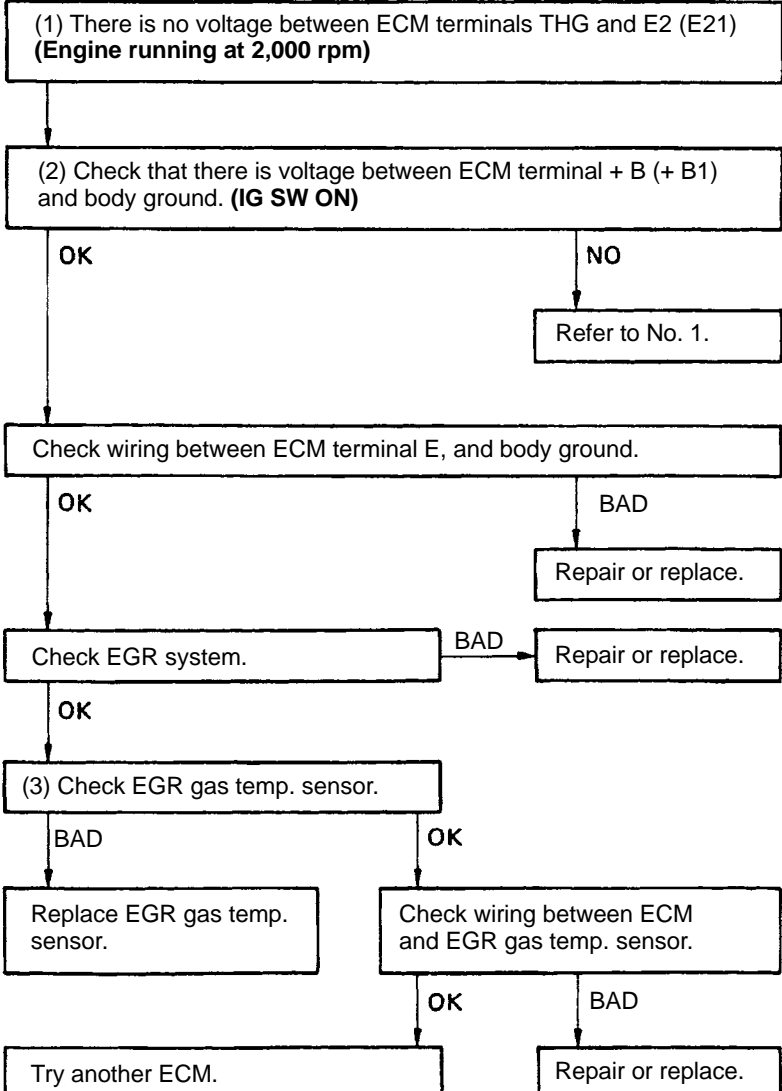
P09733

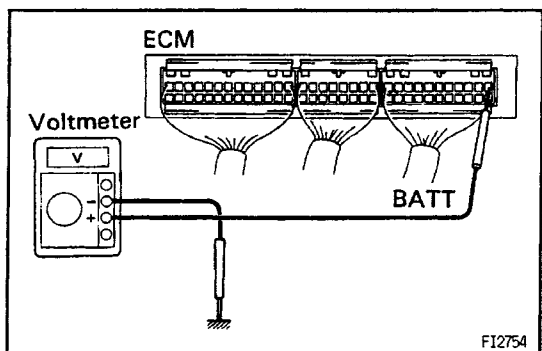


P09735



F12674





MFI SYSTEM CHECK PROCEDURE (4WD A/T)

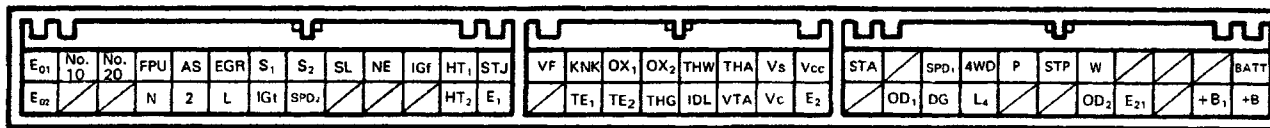
HINT:

- Perform all voltage measurements with the connectors connected.
 - Verify that the battery voltage is 11 V or more when the ignition switch is in "ON" position.
- Using a voltmeter with high impedance (10 kΩ/V minimum), measure the voltage at each terminal of the wiring connector.

Terminals of ECM (4WD A/T)

Symbol	Terminal Name	Symbol	Terminal Name
E01	ENGINE GROUND	TE2	DLC 1
E02	ENGINE GROUND	* OX2	OXYGEN SENSOR (SUB)
No.10	INJECTOR	* THG	EGR GAS TEMP. SENSOR
No.20	INJECTOR	THW	ENGINE COOLANT TEMP. SENSOR
Fpu	FUEL PRESSURE CONTROL VSV	IDL	THROTTLE POSITION SENSOR
N	PNP SWITCH	THA	INTAKE AIR TEMP. SENSOR
AS	PAIR VALVE	VTA	THROTTLE POSITION SENSOR
2	PNP SWITCH	Vs	VOLUME AIR FLOW METER
* EGR	EGR VSV	Vc	VOLUME AIR FLOW METER
L	PNP SWITCH	Vcc	THROTTLE POSITION SENSOR
S1	No.1 SOLENOID	E2	SENSOR GROUND
IGt	IGNITER	STA	STARTER SWITCH
S2	No.2 SOLENOID	OD1	CRUISE CONTROL COMPUTER
SPD2	SPEED SENSOR	SPD1	SPEED SENSOR
SL	SL SOLENOID	DG	DLC 1
Ne	DISTRIBUTOR	4WD	4WD SWITCH
IGf	IGNITER	L4	TRANSFER POSITION SWITCH
HT1	OXYGEN SENSOR HEATER (MAIN)	P	PATTERN SELECT SWITCH
* HT2	OXYGEN SENSOR HEATER (SUB)	STP	STOP LIGHT SWITCH
STJ	COLD START INJECTOR	W	MALFUNCTION INDICATOR LAMP
E1	ENGINE GROUND	OD2	CRUISE CONTROL COMPUTER
VF	DLC 1	E21	SENSOR GROUND
KNK	KNOCK SENSOR	+B1	MAIN RELAY
TE1	DLC 1	BATT	BATTERY POSITIVE VOLTAGE
OX1	OXYGEN SENSOR (MAIN)	+B	MAIN RELAY

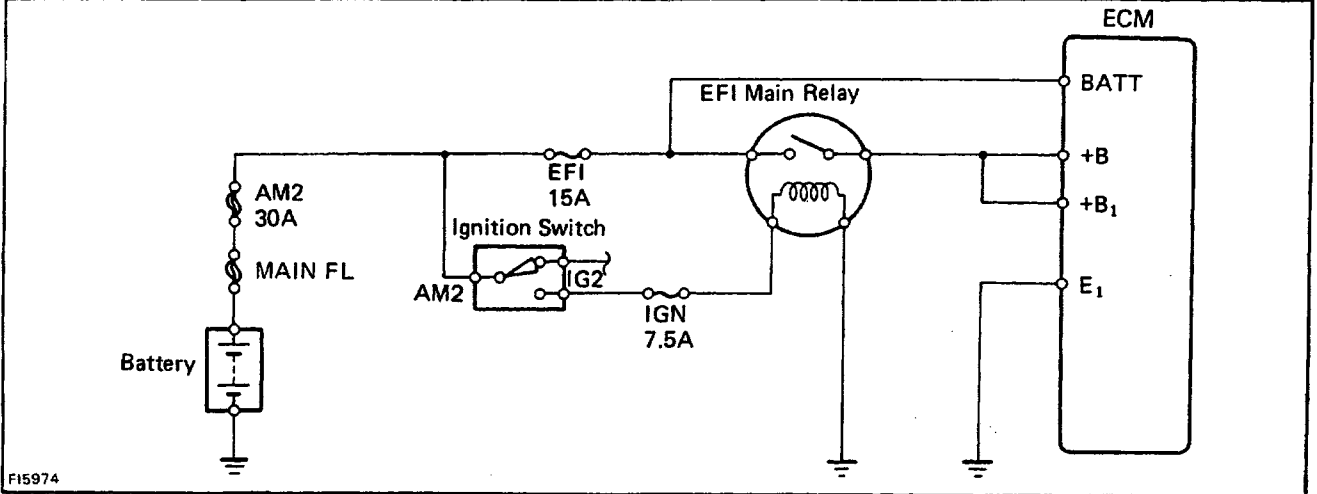
* : California only
ECM Terminals



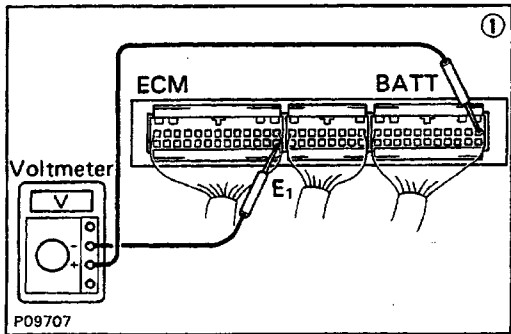
Voltage at ECM Connectors (4WD A/T)

No.	Terminals	Condition		STD voltage	See page
1	BATT - E ₁	-		9 - 14	EG1-161
	+B - E ₁	Ignition switch ON			
	+B ₁ - E ₁				
2	IDL - E ₂ (E ₂₁)	Ignition switch ON	Throttle valve open	9 - 14	EG1-163
	V _{CC} - E ₂ (E ₂₁)		-	4.5 - 5.5	
	VTA - E ₂ (E ₂₁)		Throttle valve fully closed	0.3 - 0.8	
			Throttle valve fully open	3.2 - 4.9	
3	V _c - E ₂ (E ₂₁)	Ignition switch ON	-	6 - 10	EG1-165
	V _s - E ₂ (E ₂₁)		Measuring plate fully closed	0.5 - 2.5	
			Measuring plate fully open	5 - 10	
	THA - E ₂ (E ₂₁)	Idling	2 - 8		
4	THW - E ₂ (E ₂₁)	Ignition switch ON	Intake air temperature 20°C (68°F)	0.5 - 3.4	EG1-167
5	STA - E ₁	Ignition switch START position		6 - 12	EG1-168
6	No. 10 - E ₀₁ No. 20 - E ₀₂	Ignition switch ON		9 - 14	EG1-169
7	IGt - E ₁	Idling		0.7 - 1.0	EG1-170
8	W - E ₁	No trouble (MIL off) and engine running		9 - 14	EG1-171
9	STJ - E ₁	Ignition switch START position	Coolant temperature 80°C (176°F)	6 - 12	EG1-172
10	STP - E ₁	Stop light switch ON		7.5 - 14	EG1-173

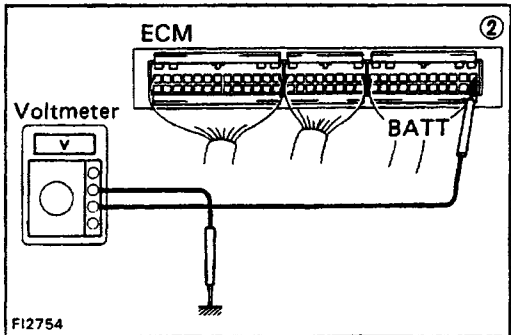
No.	Terminals	Trouble	Condition	STD Voltage
1	BATT - E ₁	No voltage	Ignition switch ON	9 - 14 V
	+B - E ₁			
	+B ₁ - E ₁			



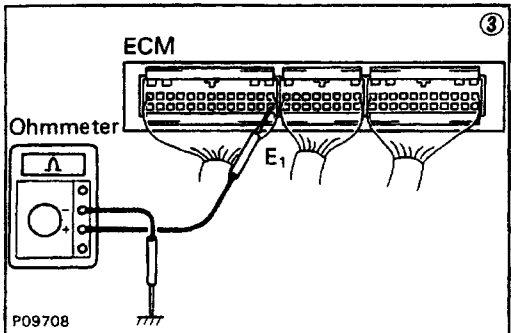
FI5974



P09707

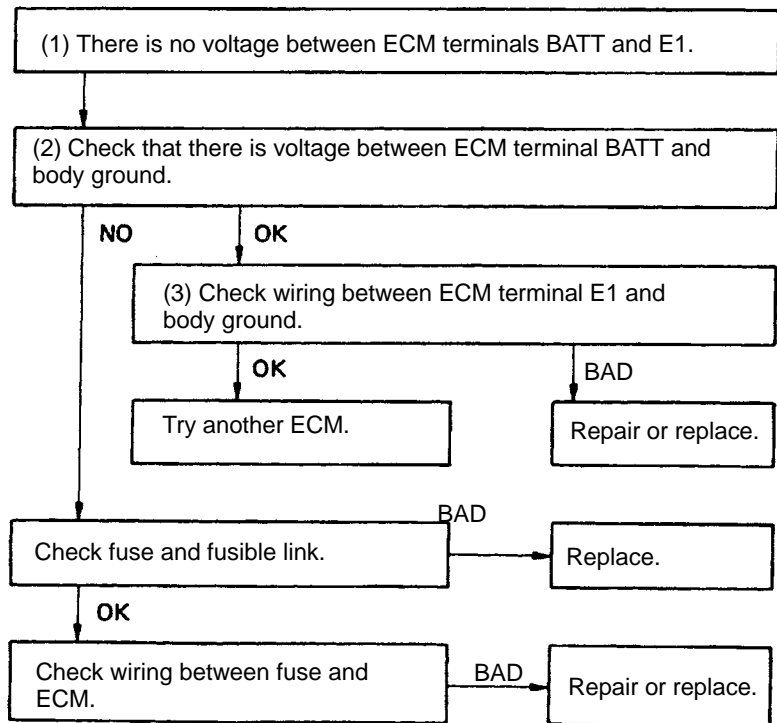


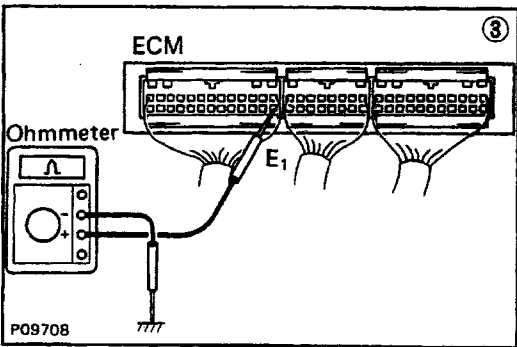
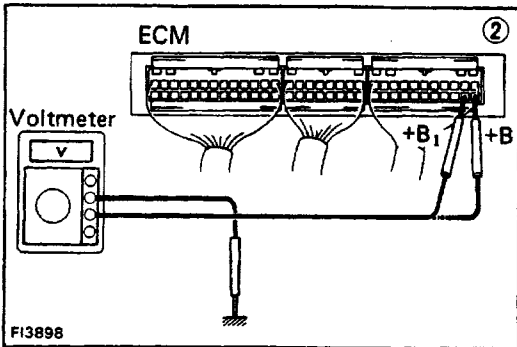
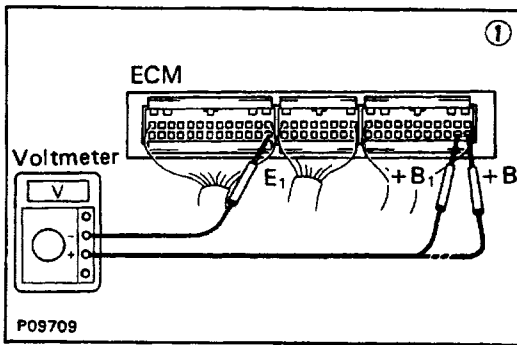
FI2754



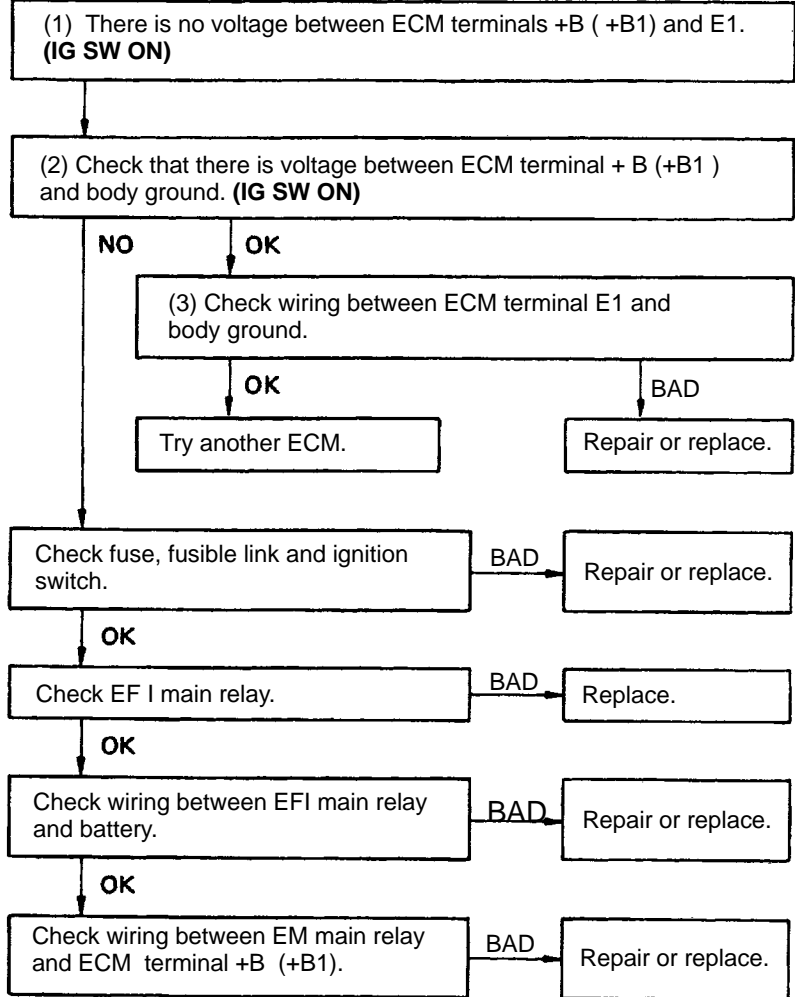
P09708

• BATT - E₁

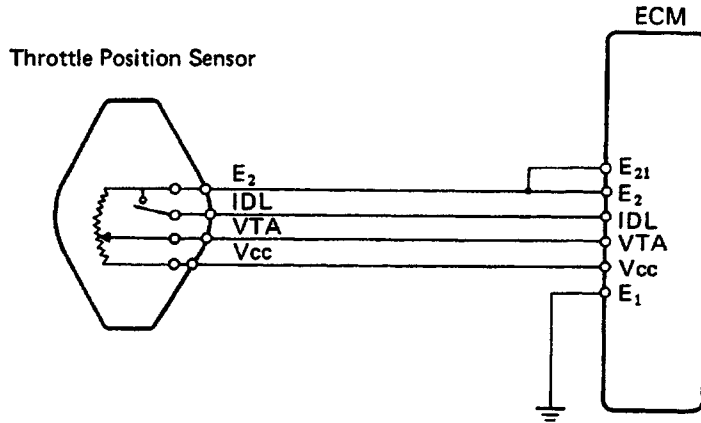




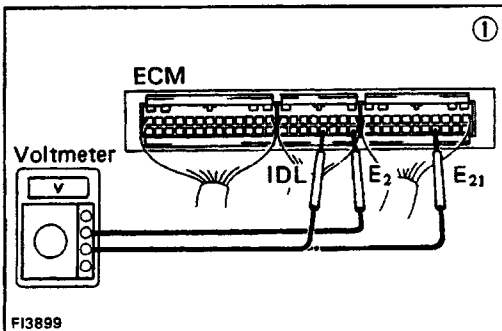
• +B (B+) -E1



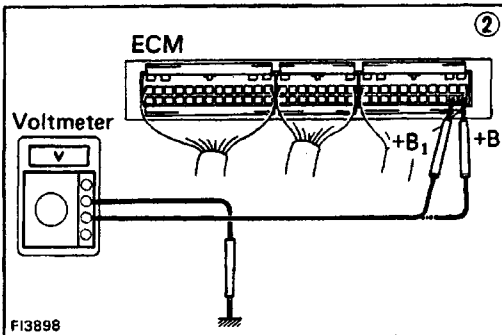
No.	Terminals	Trouble	Condition	STD Voltage	
2	IDL - E ₂ (E ₂₁)	No voltage	Ignition switch ON	Throttle valve open	9 - 14V
	Vcc - E ₂ (E ₂₁)			-	4.5 - 5.5 V
	VTA - E ₂ (E ₂₁)			Throttle valve fully dosed	0.3 - 0.8 V
				Throttle valve fully open	3.2 - 4.9 V



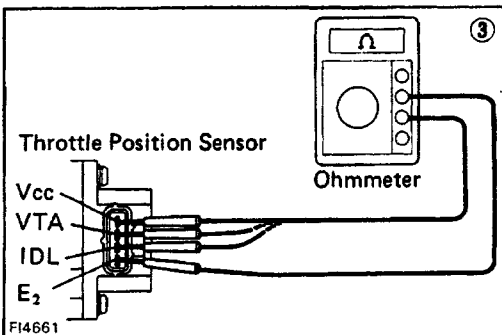
F13877



F13899



F13898

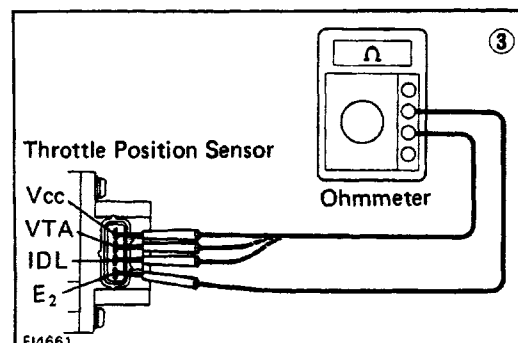
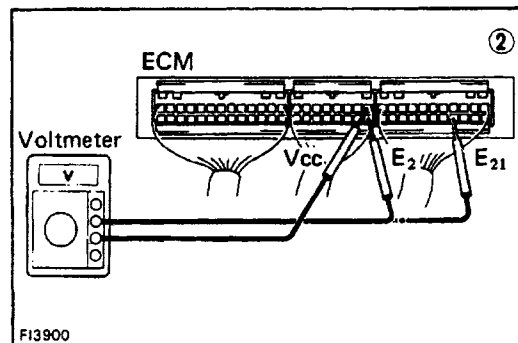
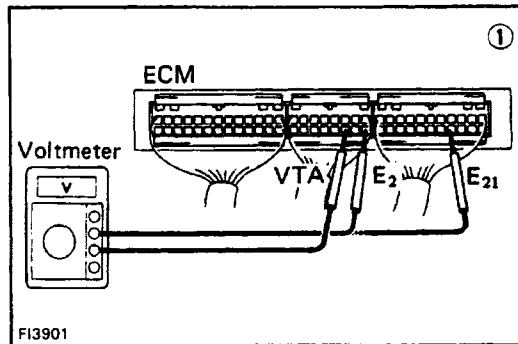
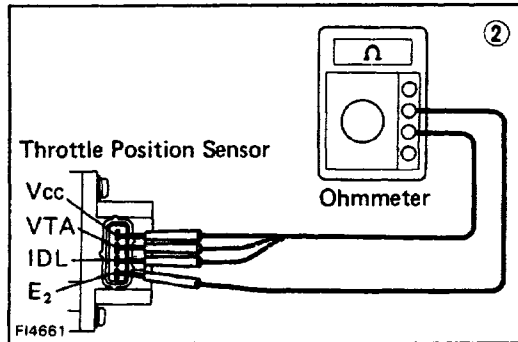
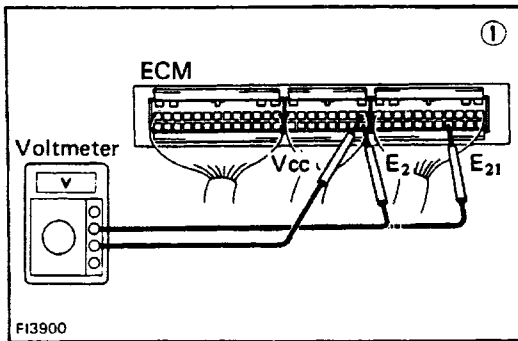


F14661

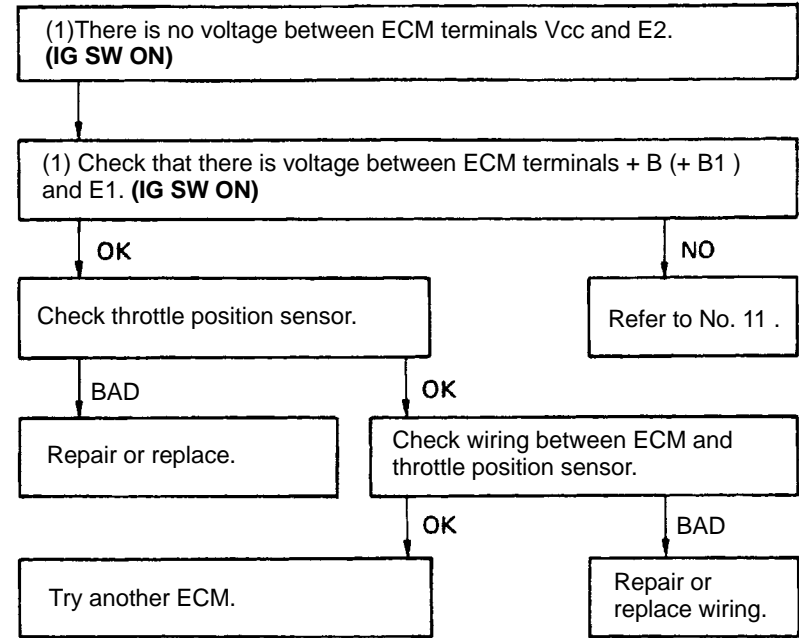
• IDL - E2 (E21)

```

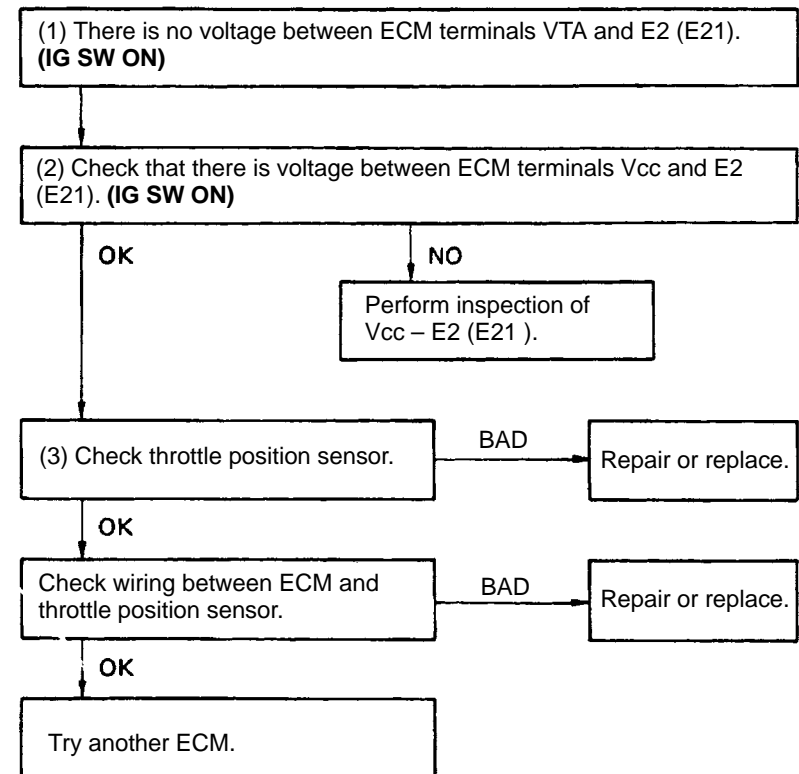
    graph TD
      A["(1) There is no voltage between ECM terminals IDL and E2 (E21).  
(IG SW ON) (Throttle valve open)"] --> B["(2) Check that there is voltage between ECM terminal + B (+ B1)  
and body ground. (IG SW ON)"]
      B -- NO --> C["Refer to No. 1."]
      B -- OK --> D["Check wiring between ECM terminal E1 and body ground."]
      C -- BAD --> E["Replace or repair."]
      C -- OK --> F["(3) Check throttle position sensor."]
      D -- OK --> F
      D -- BAD --> G["Replace or repair."]
      F -- BAD --> H["Replace or repair throttle position sensor."]
      F -- OK --> I["Check wiring between ECM and throttle position sensor."]
      I -- OK --> J["Try another ECM."]
      I -- BAD --> G
  
```



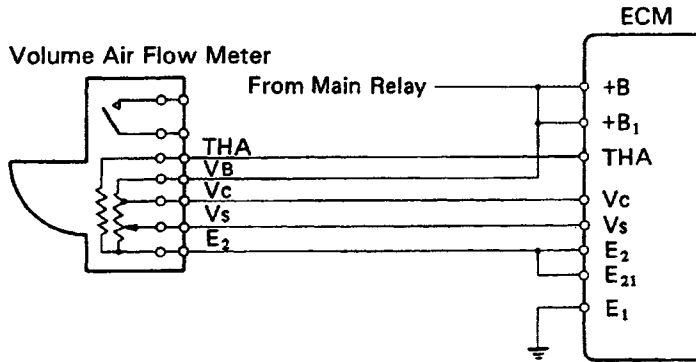
• **Vcc - E2 (E21)**



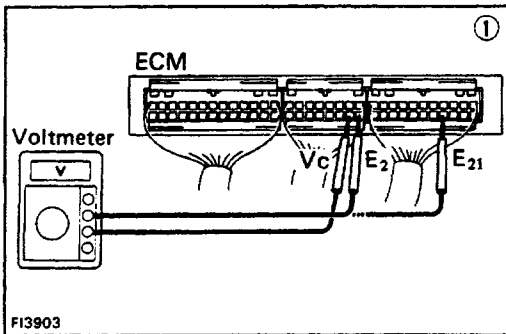
• **VTA - E2 (E21)**



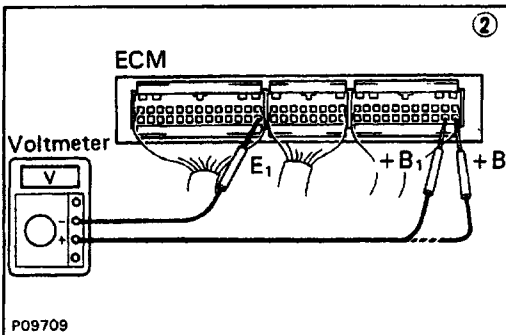
No.	Terminals	Trouble	Condition	STD Voltage	
3	Vc - E ₂ (E ₂₁)	No voltage	Ignition switch ON	-	6 - 10 V
	V _s - E ₂ (E ₂₁)			Measuring plate fully closed	0.5 - 2.5 V
			THA - E ₂ (E ₂₁)	Measuring plate fully open	5 - 10 V
					Idling
			Ignition switch ON	Intake air temperature 20°C (68°F)	0.5 - 3.4 V



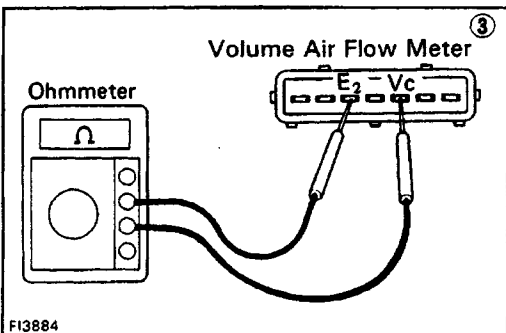
F13881



F13903

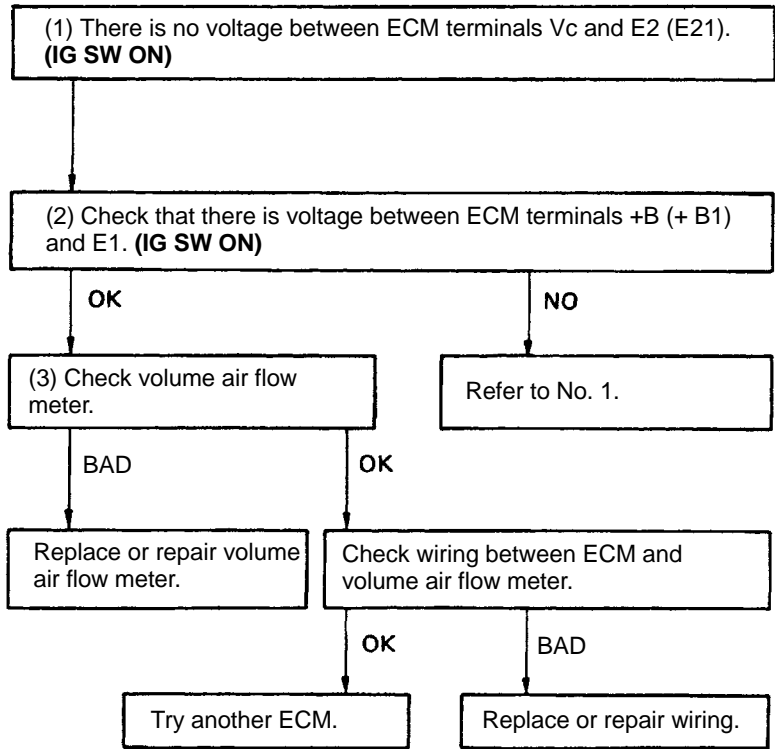


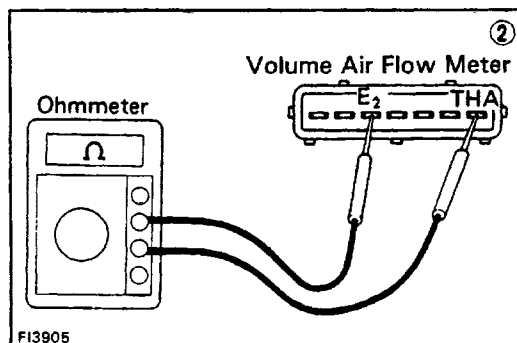
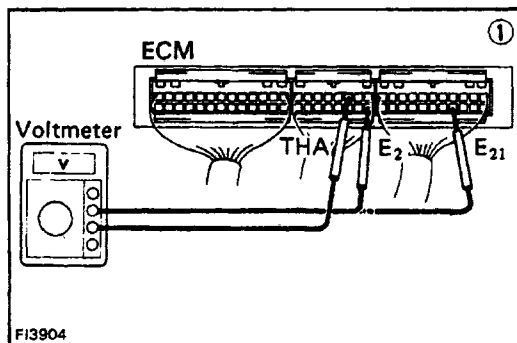
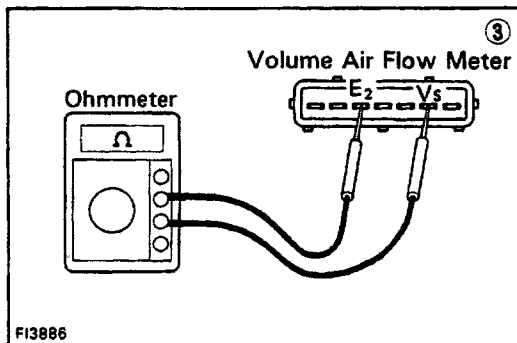
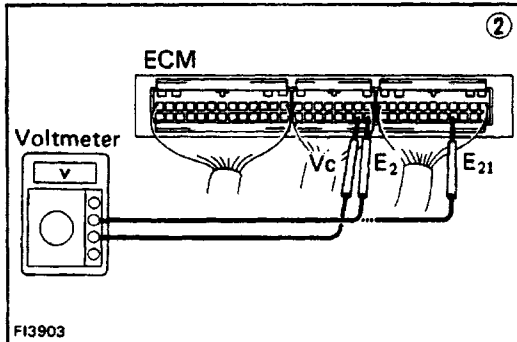
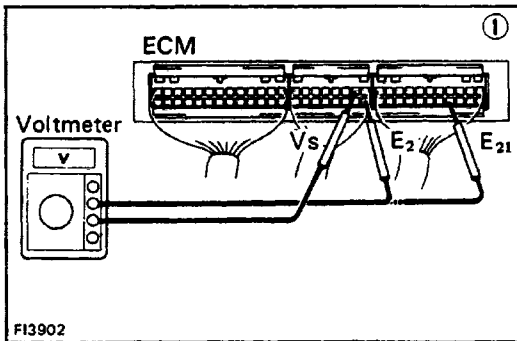
P09709



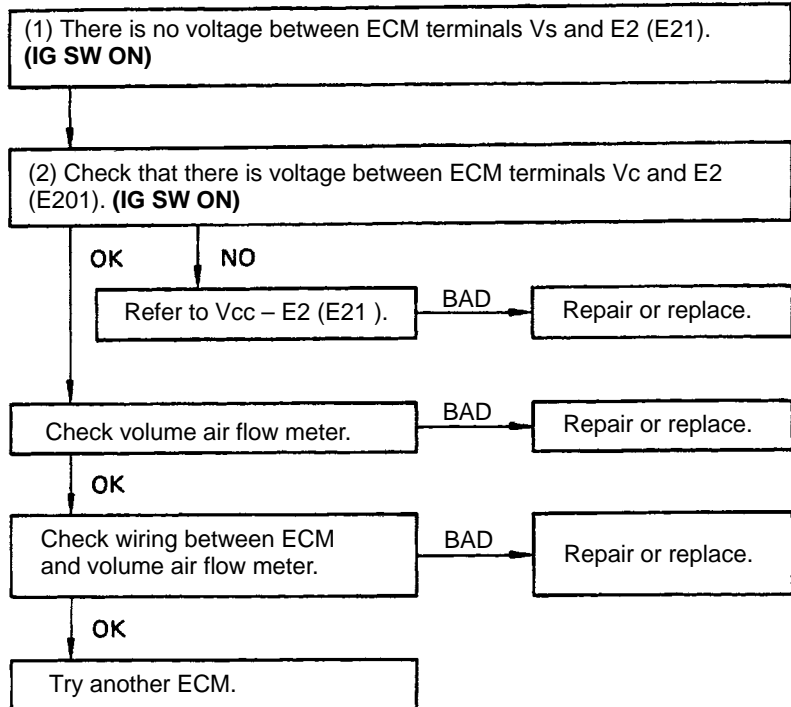
F13884

• Vc - E2 (E21)

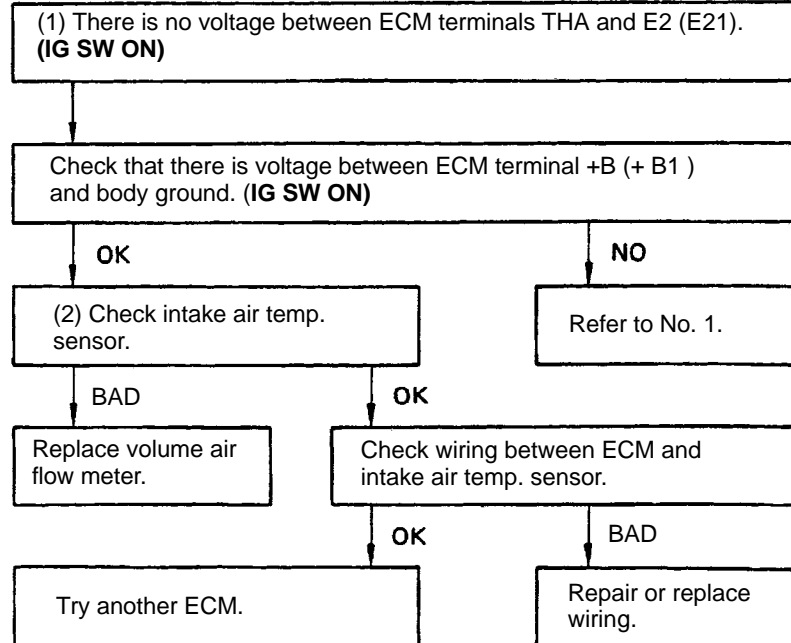




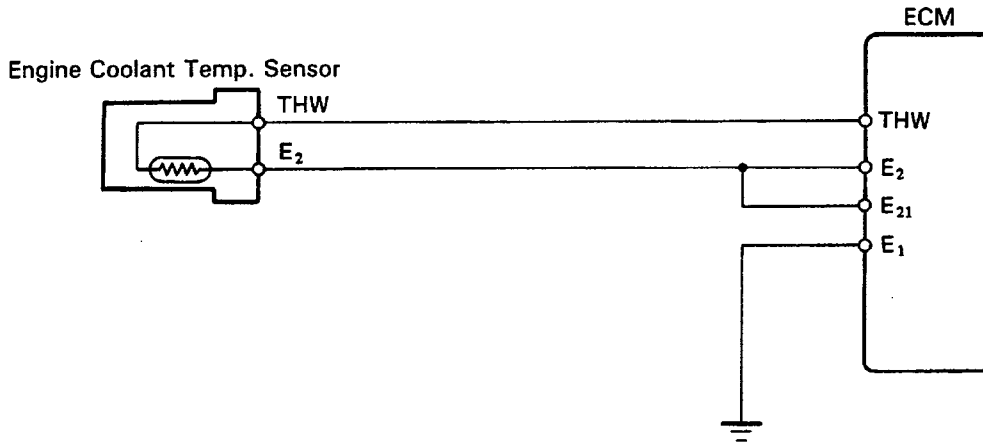
• Vs - E2 (E21)



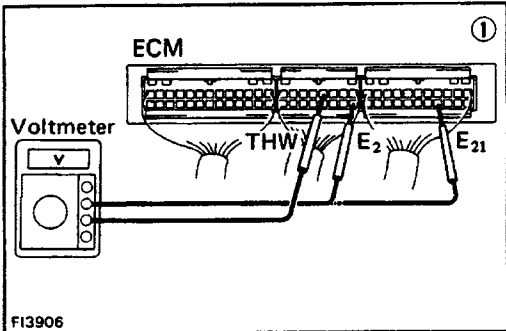
• THA - E2 (E21)



No.	Terminals	Trouble	Condition	STD Voltage
4	THW - E ₂ (E ₂₁)	No voltage	Ignition switch ON Coolant temperature 80°C (176°F)	0.2 - 1.0 V



FI5971



FI3906

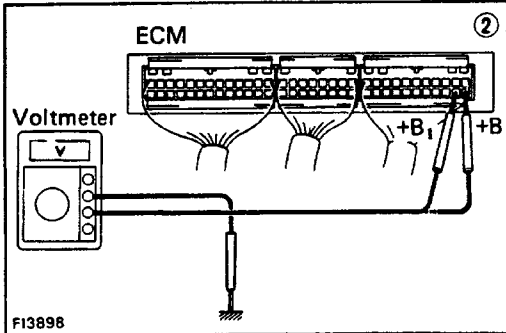
(1) There is no voltage between ECM terminals THW and E2 (E21) (IG SW ON)

(2) Check that there is voltage between ECM terminal + B (+ B1) and body ground. (IG SW ON)

OK

NO

Refer to No. 1.



FI3898

Check wiring between ECM terminal E1 and body ground.

OK

BAD

Check engine coolant temp. sensor. Repair or replace.

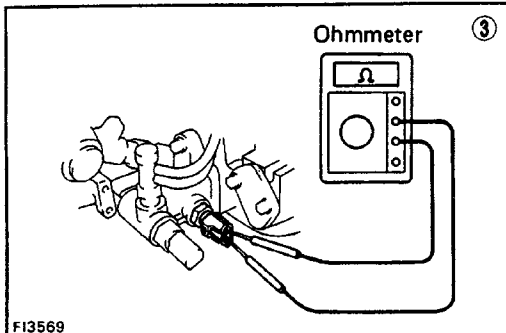
BAD

Replace engine coolant temp. sensor. Check wiring between ECM and engine coolant temp. sensor.

OK

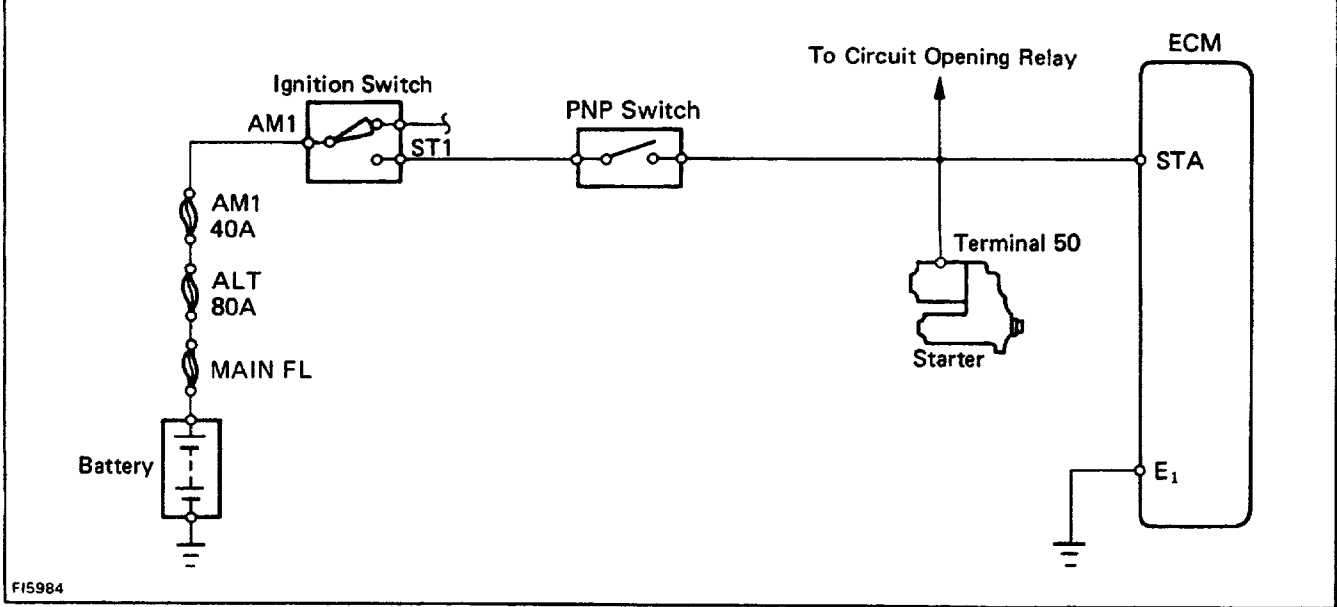
BAD

Try another ECM. Repair or replace.

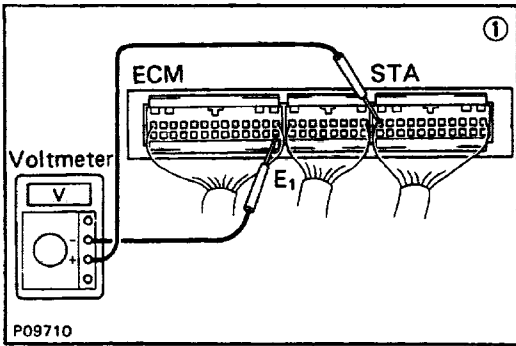


FI3569

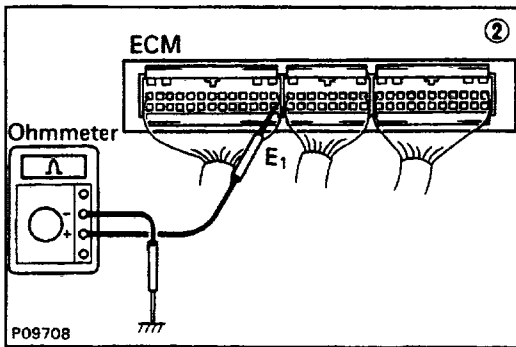
No.	Terminals	Trouble	Condition	STD Voltage
5	STA - E 1	No voltage	Ignition switch START position	6-12V



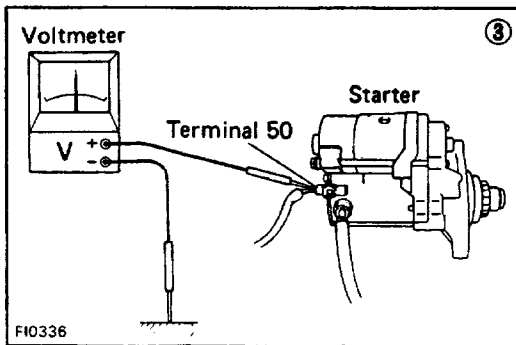
FI5984



P09710



P09708



FI0336

(1) There is no voltage between ECM terminals STA and E1 (IG SW START)

Check starter operation.

OK

Check wiring between ECM and ignition switch terminal ST.

BAD

OK

Repair or replace.

Check wiring between ECM terminal E1 and body ground.

OK

Try another ECM.

BAD

Repair or replace.

Check fusible link, battery, wiring and ignition switch.

BAD

Repair or replace.

OK

(3) Check that there is voltage at terminal 50 of starter. (IG SW ST) STD voltage: 6-12 V

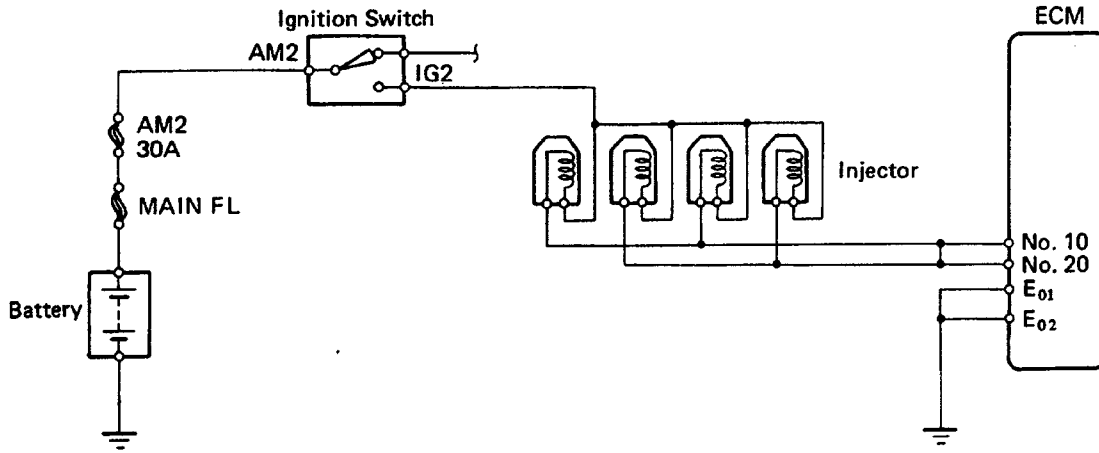
OK

Check starter. (See ST section)

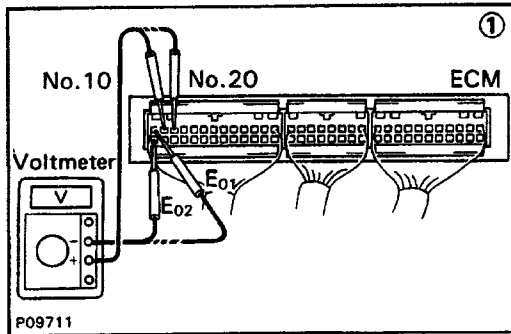
NO

Check wiring between ignition switch ST1 terminal and starter terminal 50.

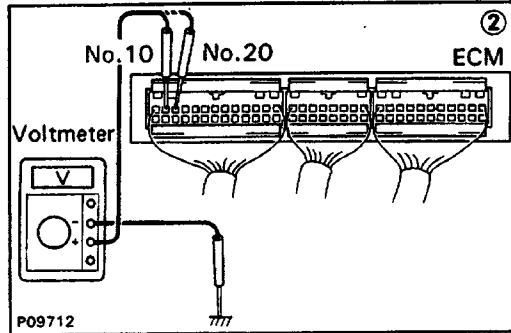
No.	Terminals	Trouble	Condition	STD Voltage
6	No. 10 - E ₀₁ No. 20 - E ₀₂	No voltage	Ignition switch ON	9 - 14 V



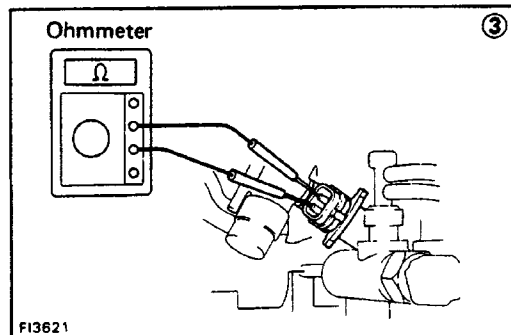
F15975



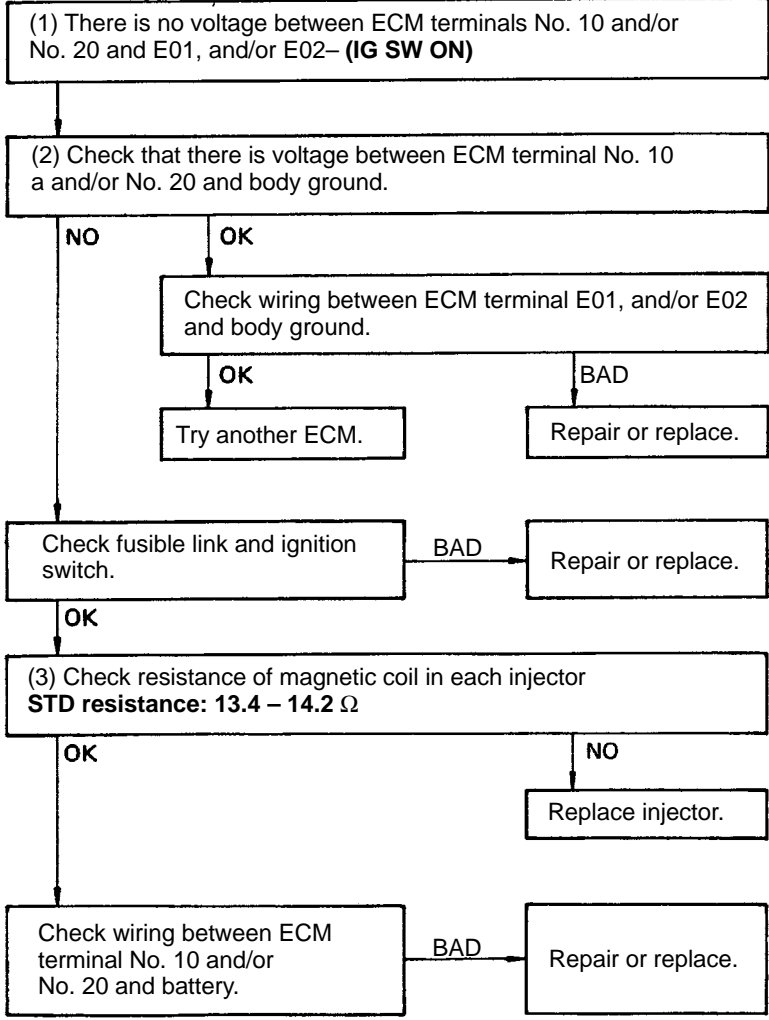
P09711

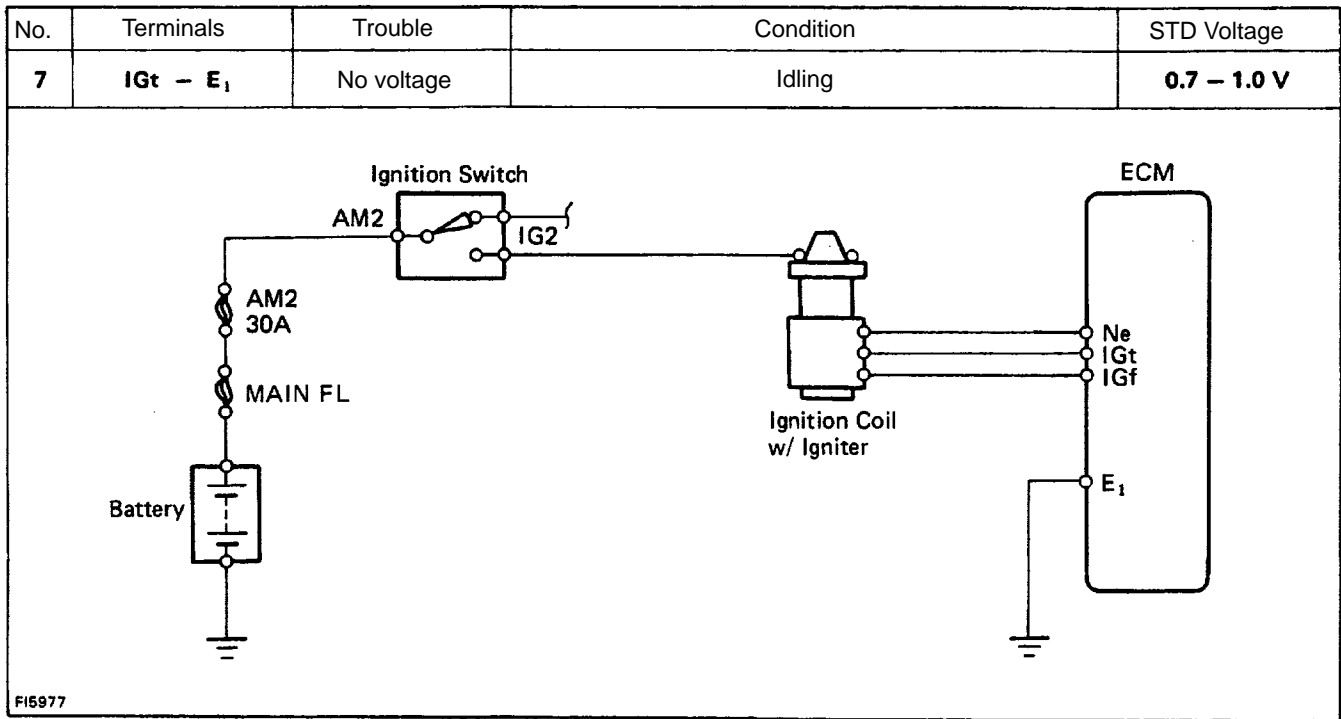


P09712

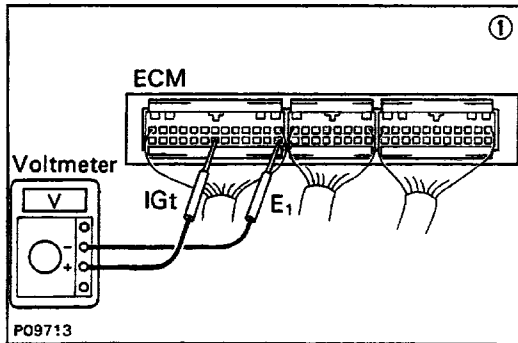


F13621

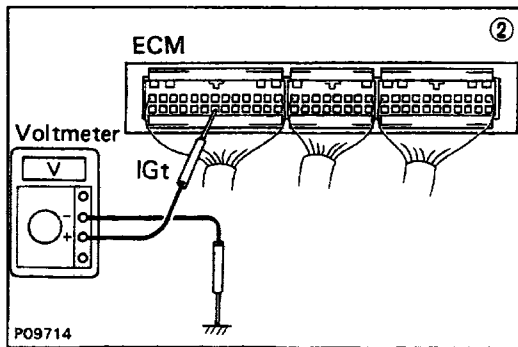




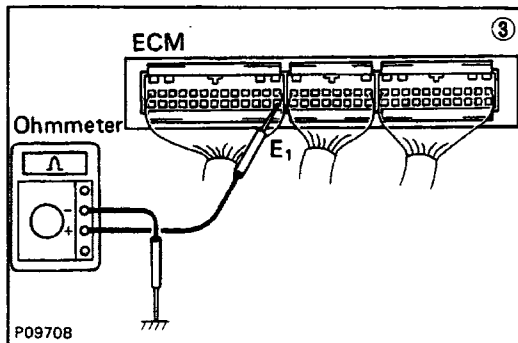
FI6977



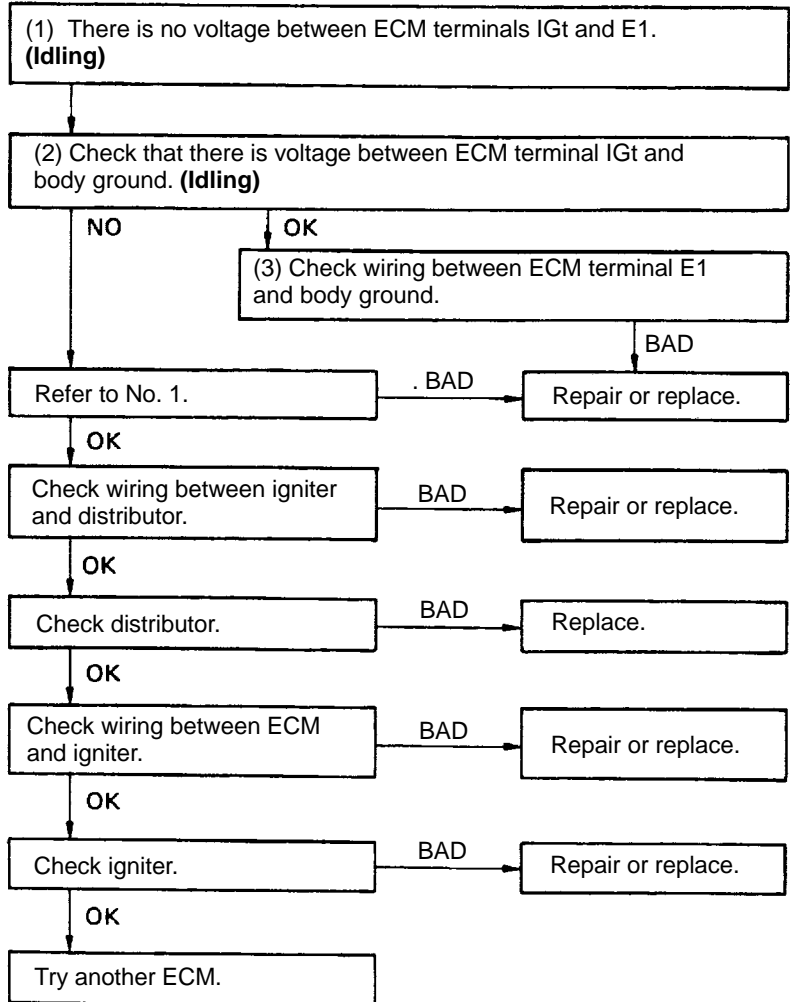
P09713



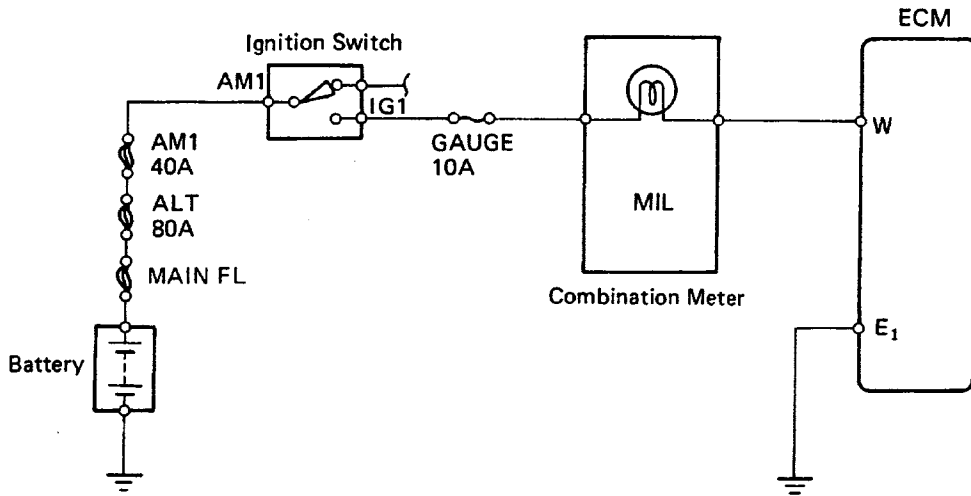
P09714



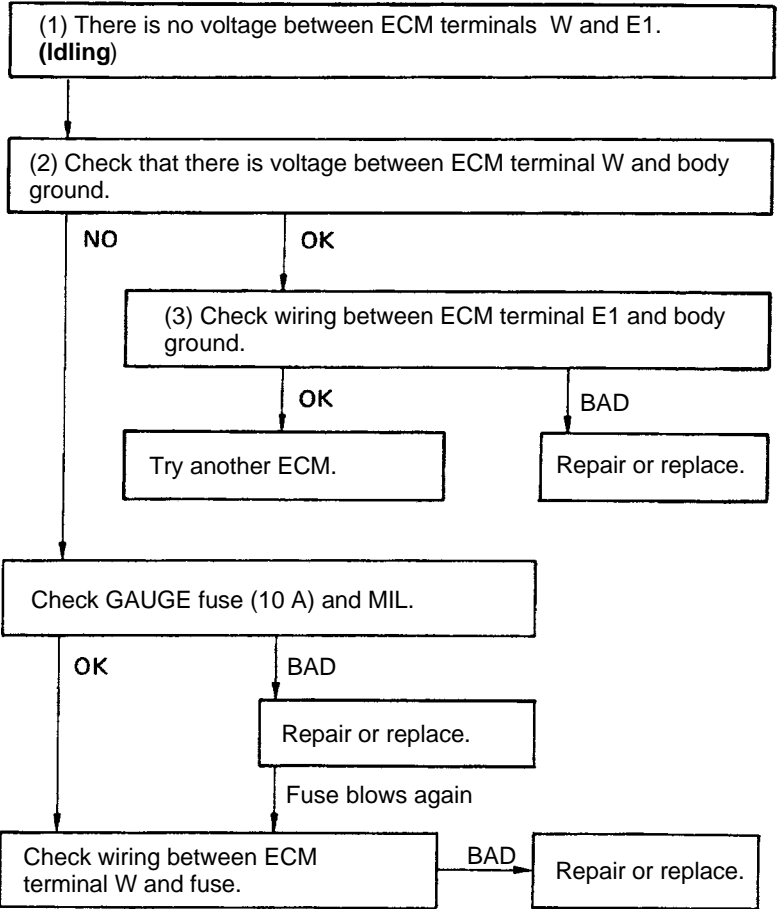
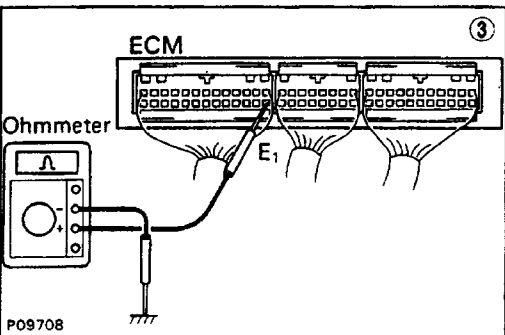
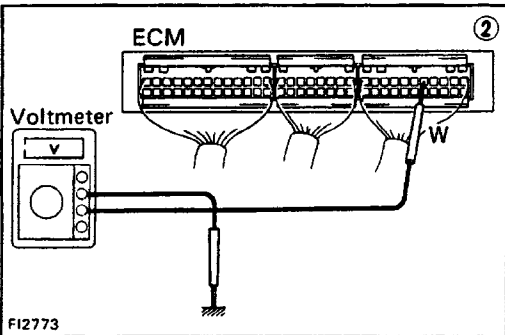
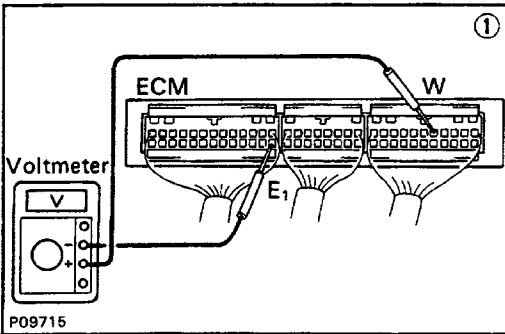
P09708



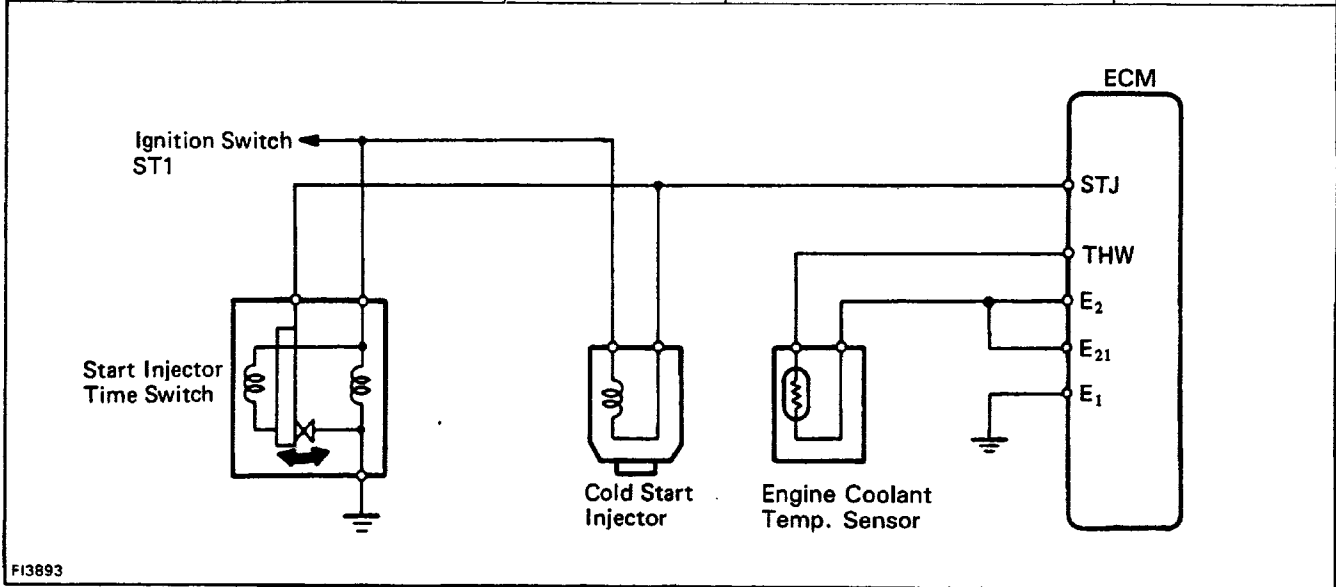
No.	Terminals	Trouble	Condition	STD Voltage.
8	W - E ₁	No voltage	No trouble (MIL off) and engine running	9 - 14 V



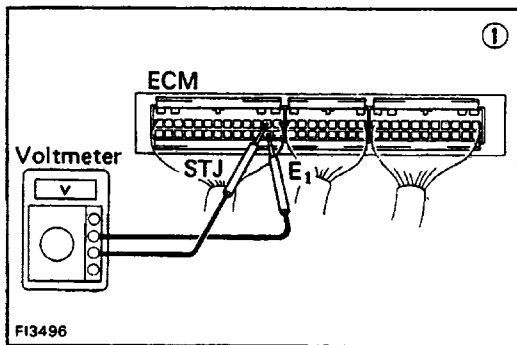
F15979



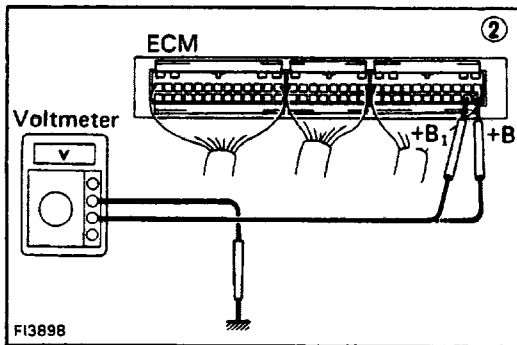
No.	Terminal	Trouble	Condition		STD Voltage
9	STJ - E ₁	No voltage	Ignition switch START position	Coolant temperature 80°C (176° F)	6 - 12 V



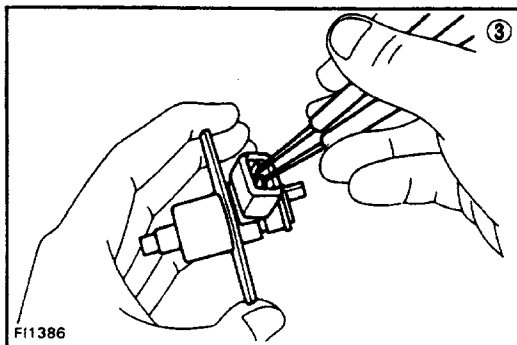
FI3893



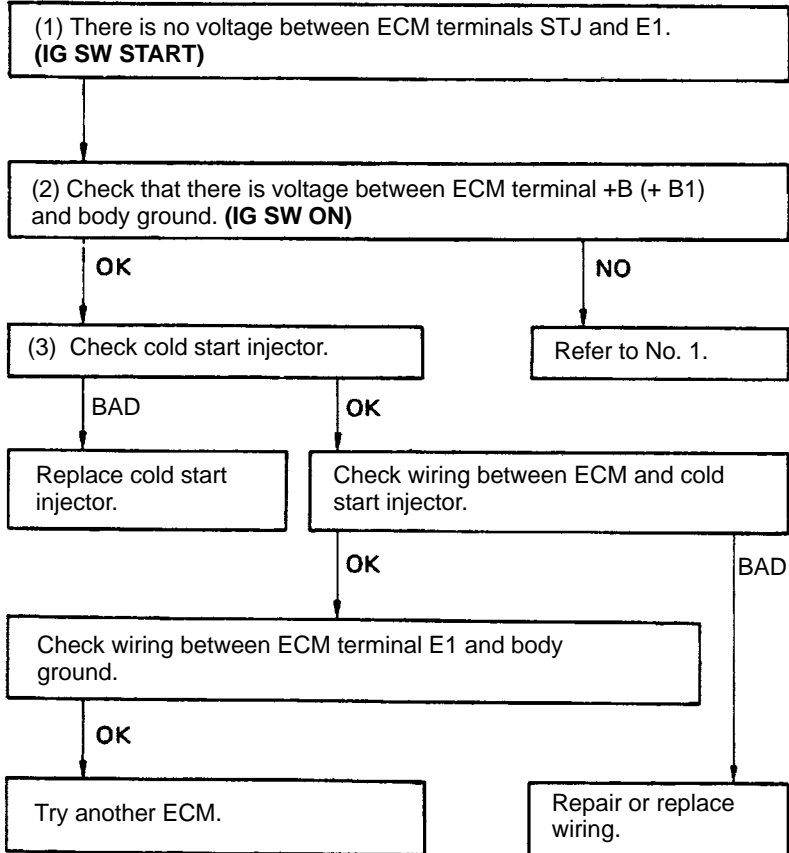
FI3496



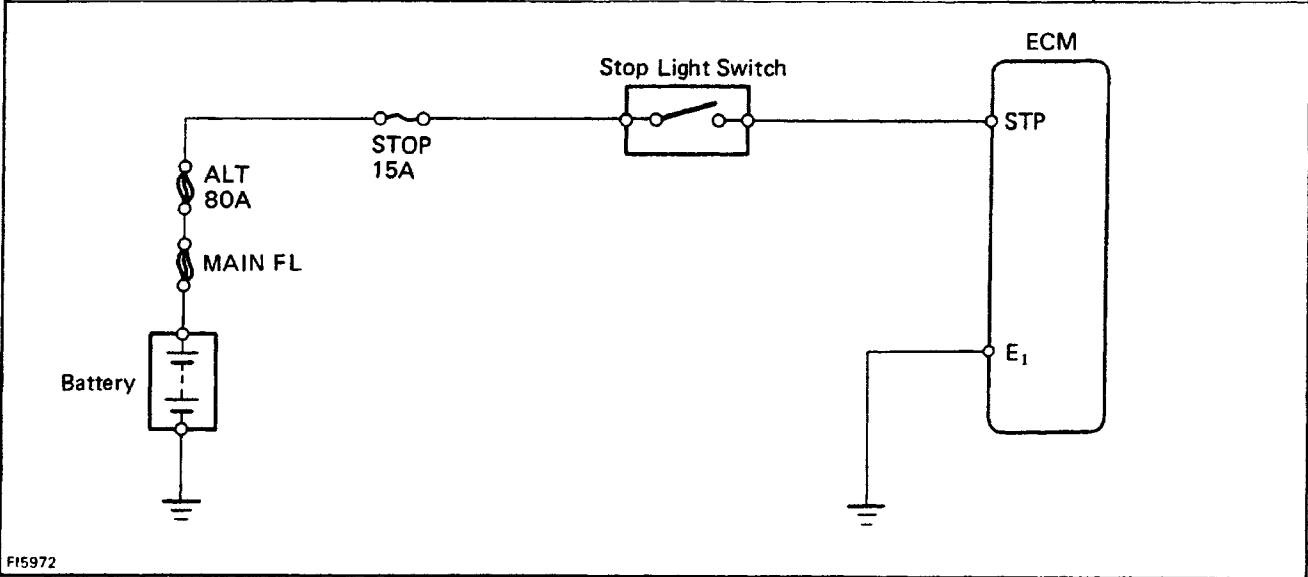
FI3898



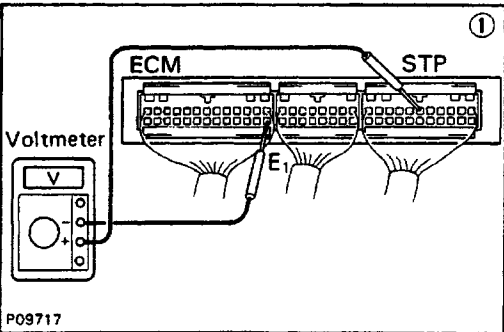
FI1386



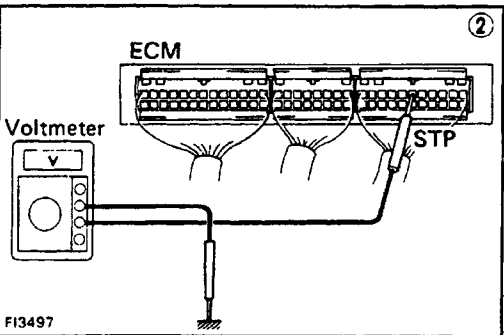
No.	Terminals	Trouble	Condition	STD Voltage
10	STP - E ₁	No voltage	Stop light switch ON	7.5 - 14 V



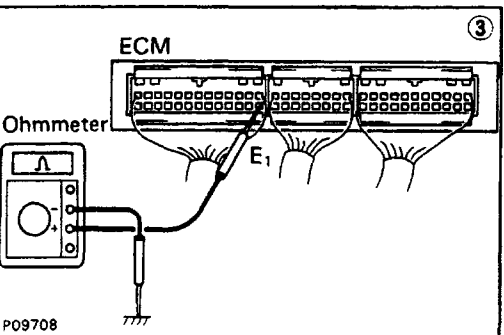
FI5972



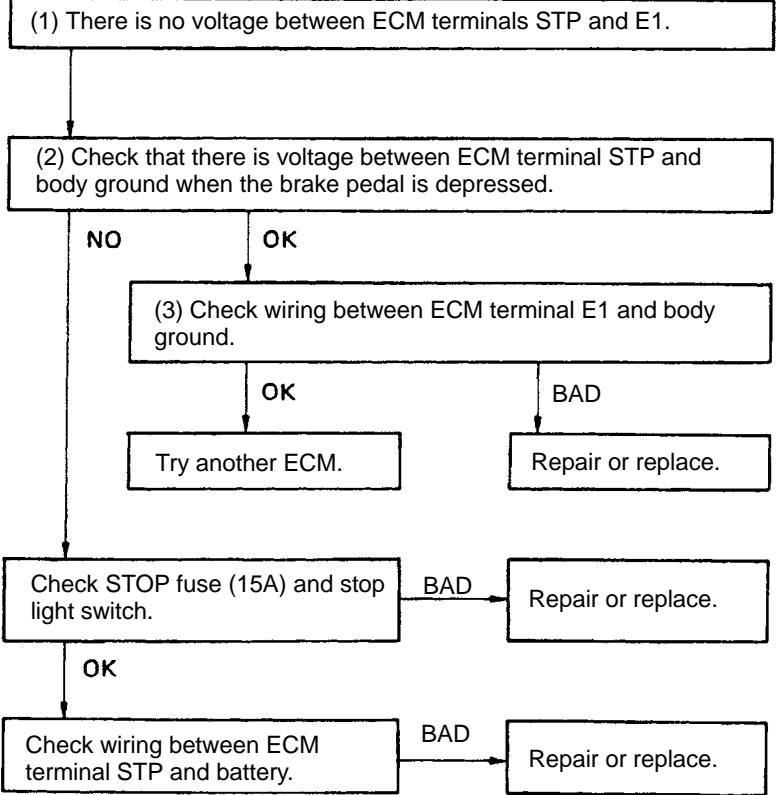
P09717

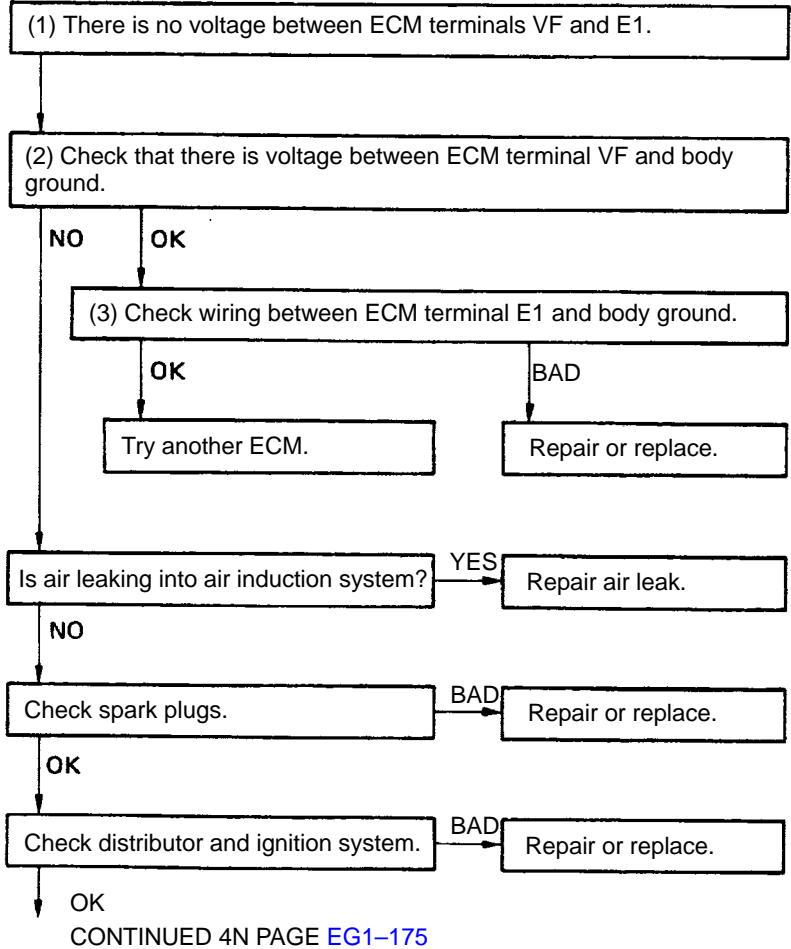
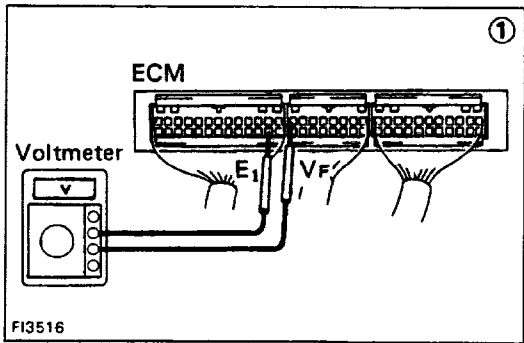
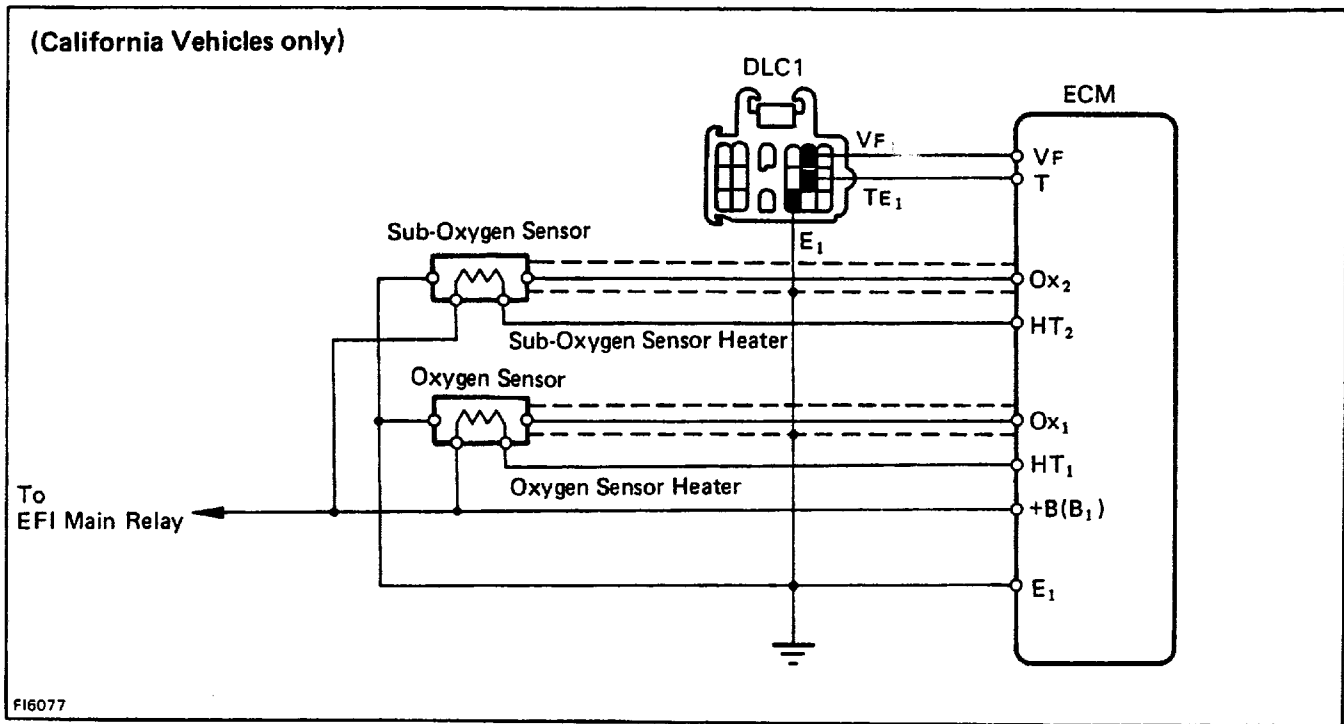


FI3497

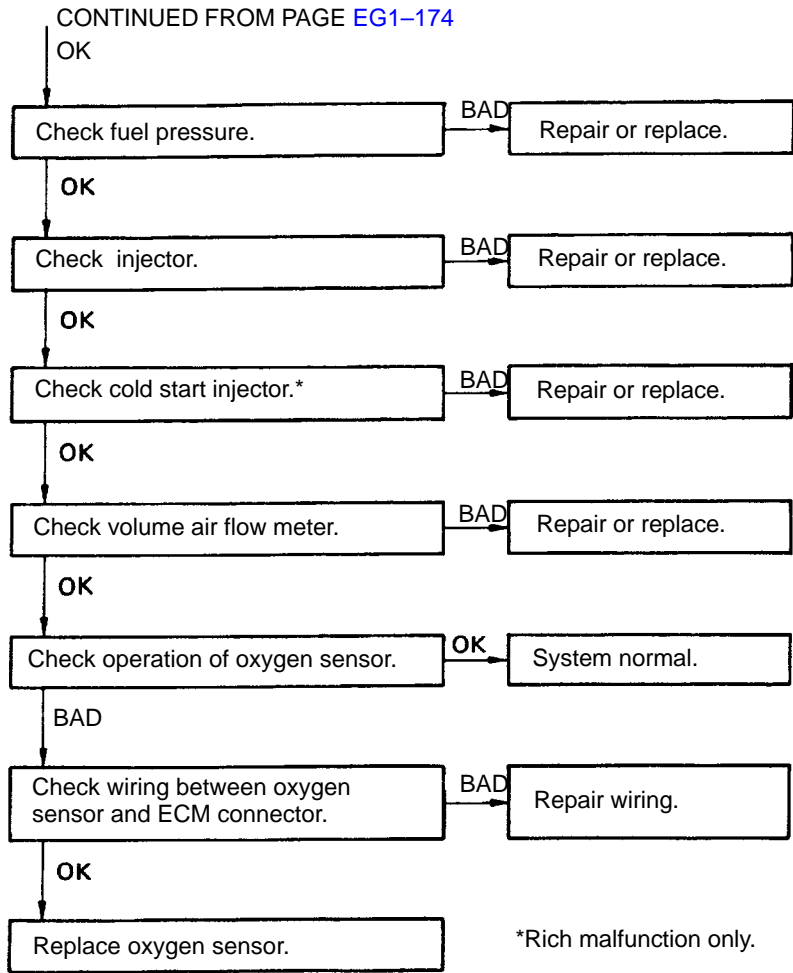
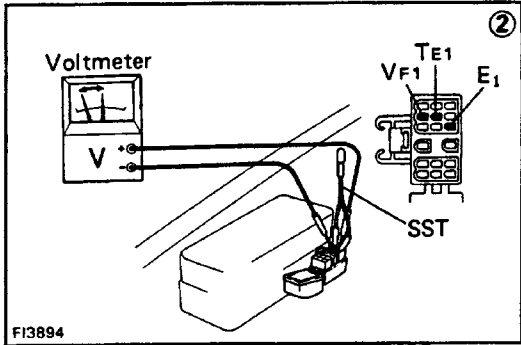


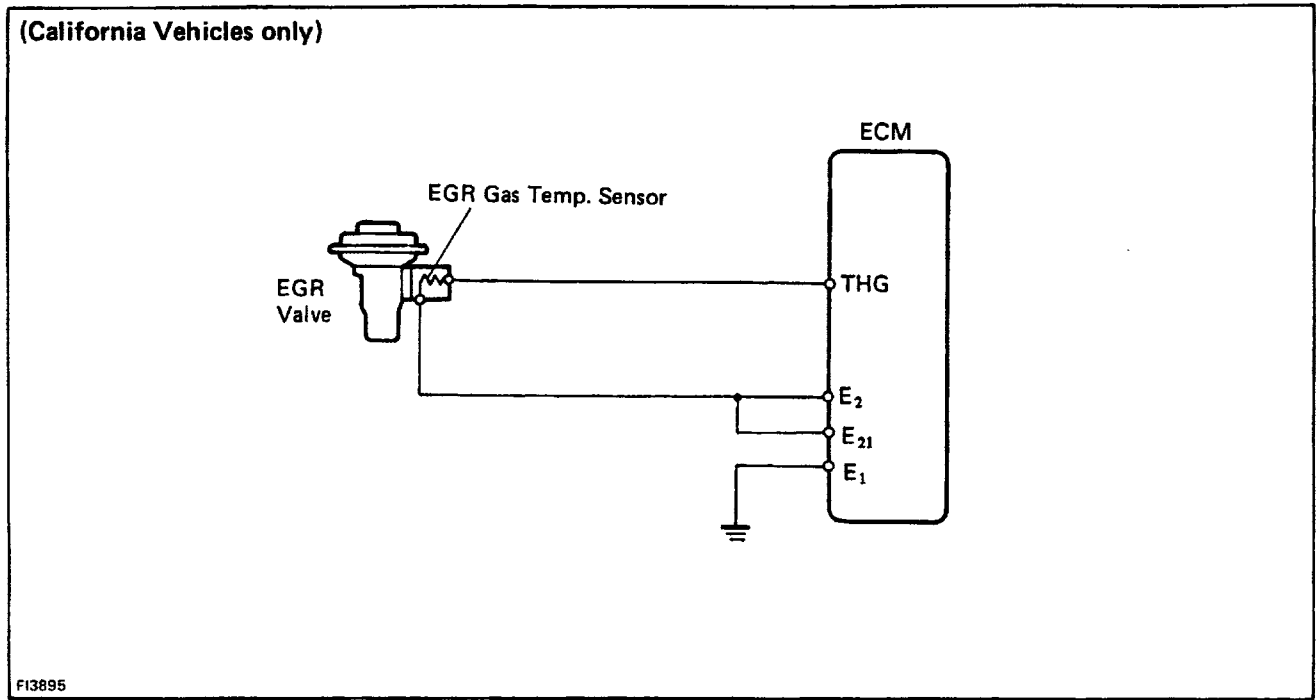
P09708



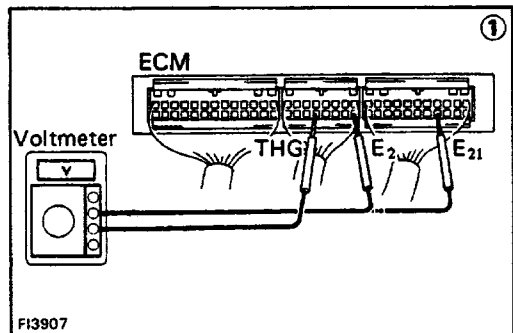


CONTINUED FROM PAGE EG1-174

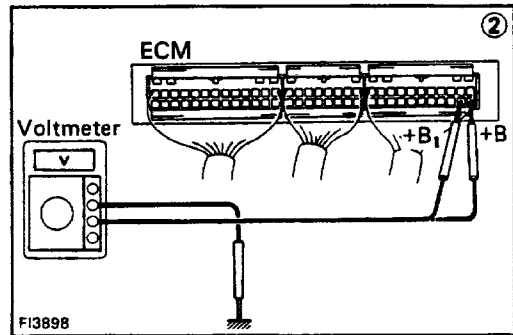




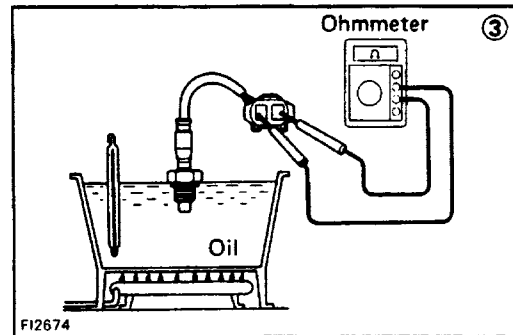
F13895



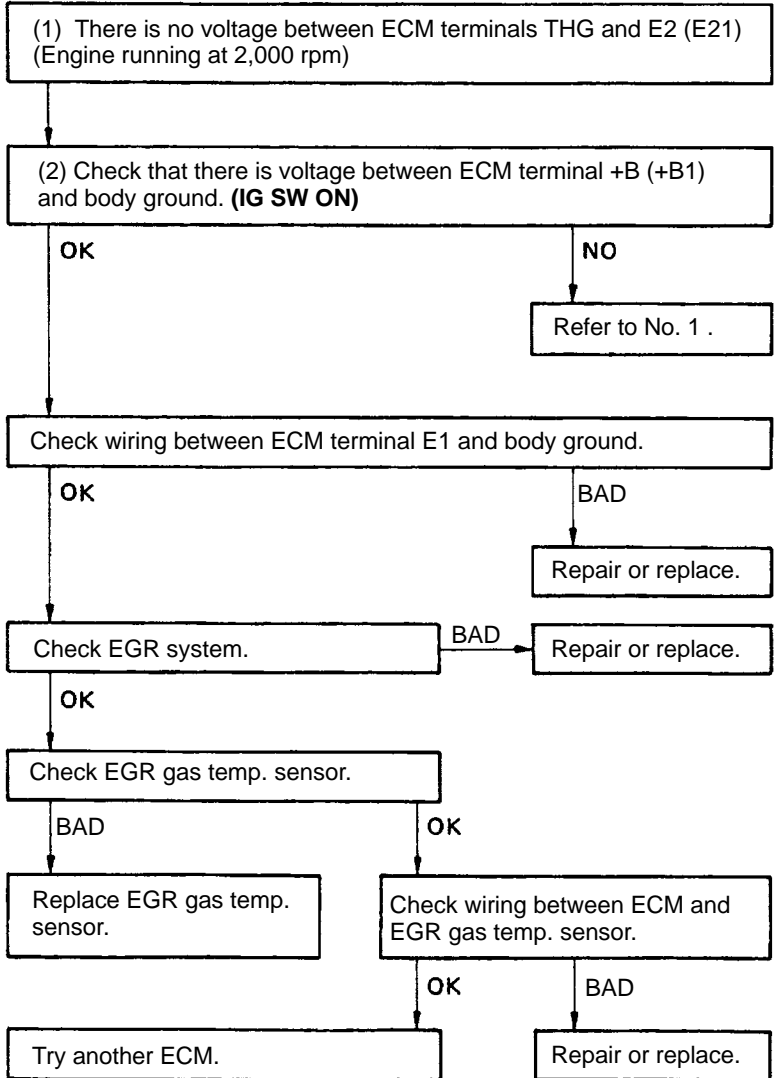
F13907



F13898

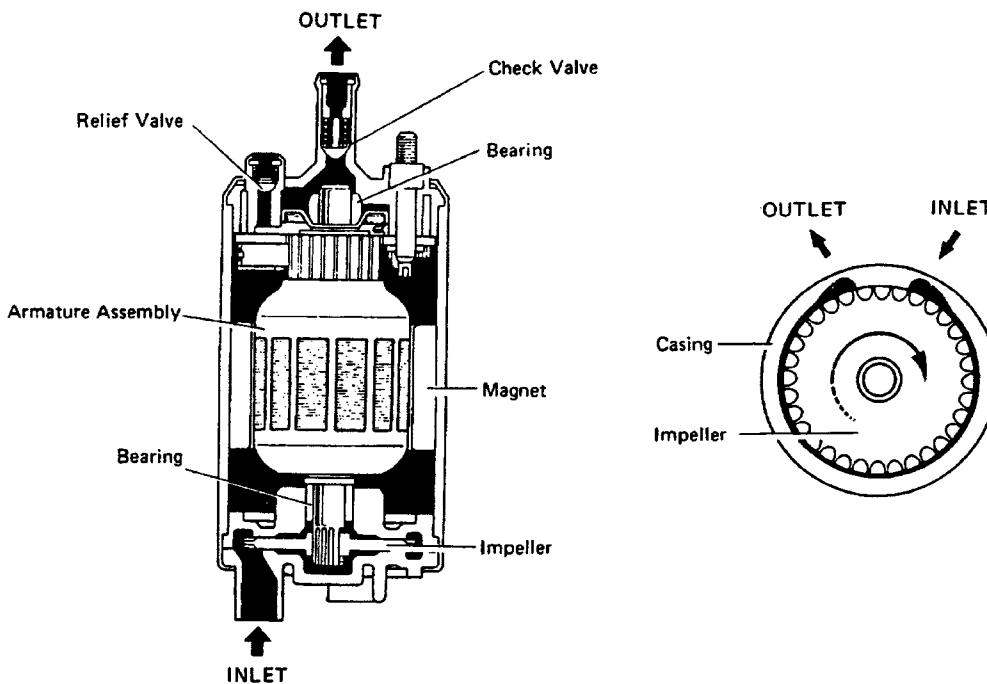


F12674



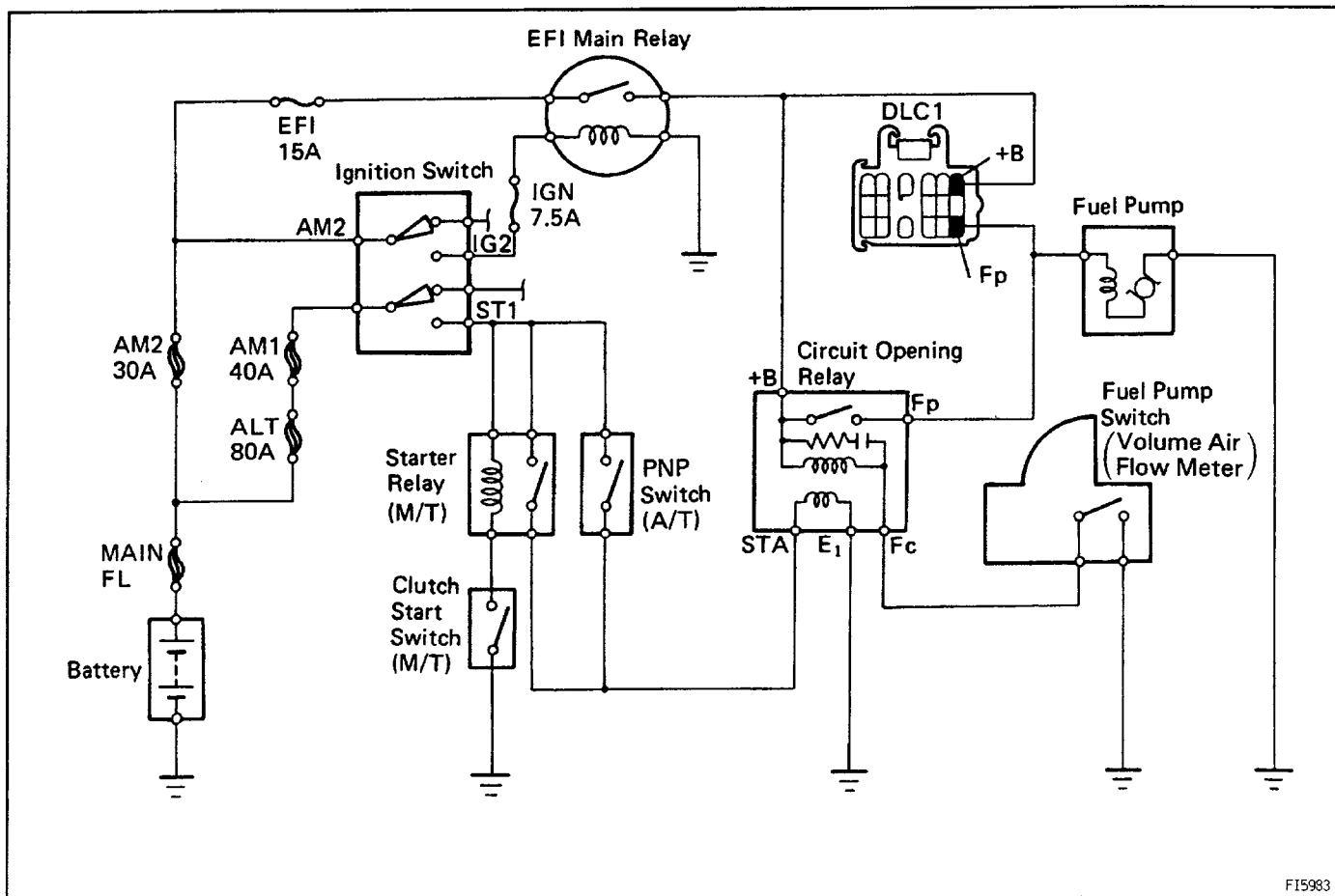
FUEL PUMP

EG1XL-01

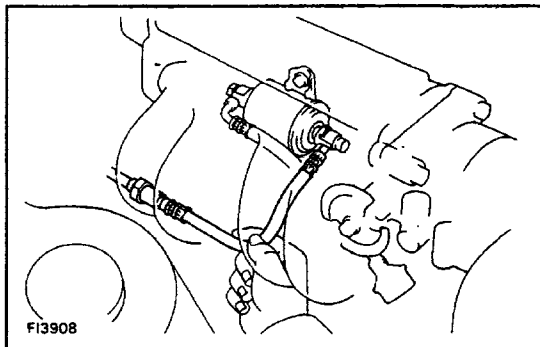
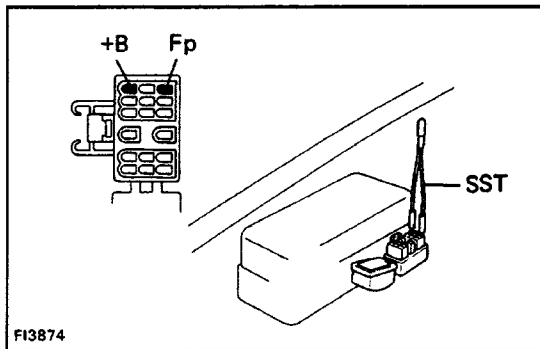


FI0530 FI1479

PO9144



FI5983



ON-VEHICLE INSPECTION

1. CHECK FUEL PUMP OPERATION

(a) Turn the ignition switch ON.

HINT: Do not start the engine.

(b) Using SST, connect terminals Fp and +B of the DLC1.

SST 09843-18020

HINT: The DLC1 is located near the No. 2 relay block.

(c) Check that there is pressure in the fuel inlet hose.

HINT: At this time, you will hear fuel return noise from the pressure regulator.

(d) Remove SST from the DLC1.

(e) Turn the ignition switch OFF.

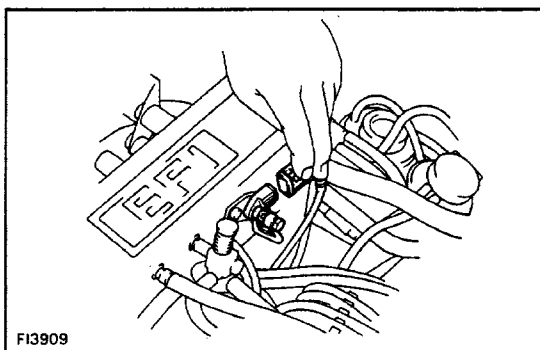
If there is no pressure, check the following parts:

- Fusible links
- Fuses (EFI 15A, IGN 7.5A)
- EFI main relay
- Circuit opening relay
- Fuel pump
- Wiring connections

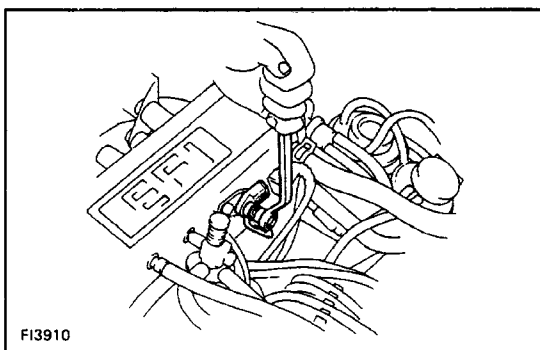
2. CHECK FUEL PRESSURE

(a) Check that the battery voltage is above 12 volts.

(b) Disconnect the cable from the negative terminal of the battery.



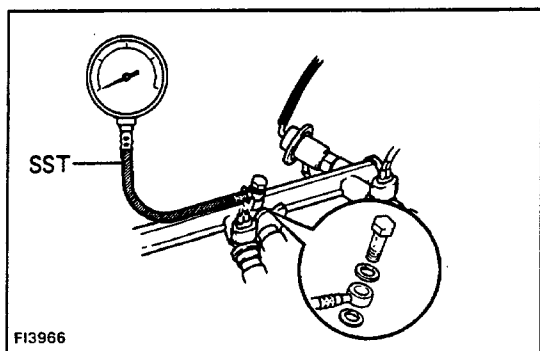
(c) Disconnect the wiring connector from the cold start injector.



(d) Put a suitable container or shop towel under the cold start injector pipe.

(e) Slowly loosen the union bolts of the cold start injector pipe and remove the bolts, cold start injector pipe and four gaskets. ,

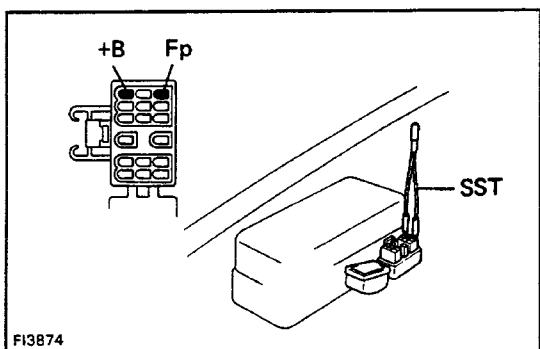
(f) Drain the fuel from the delivery pipe.



(g) Install a gasket, SST, another gasket and union bolt to the delivery pipe as shown in the illustration.

SST 09268-45012

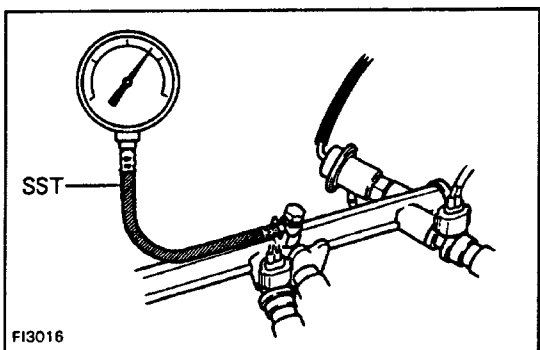
(h) Wipe off any splattered gasoline.



(i) Reconnect the battery negative terminal.

(j) Using SST, connect terminals Fp and +B of the DLC1.

SST 09843-18020



(k) Turn the ignition switch ON.

(l) Measure the fuel pressure.

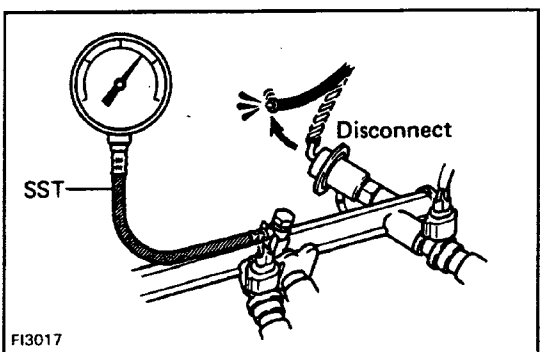
Fuel pressure: 265-304 kPa

(2.7-3.1 kgf/cm², 38-44 psi)

If high, replace the pressure regulator.

If low, check the following parts:

- Fuel hoses and connections
- Fuel pump
- Fuel filter
- Pressure regulator



(m) Remove SST from the DLC1.

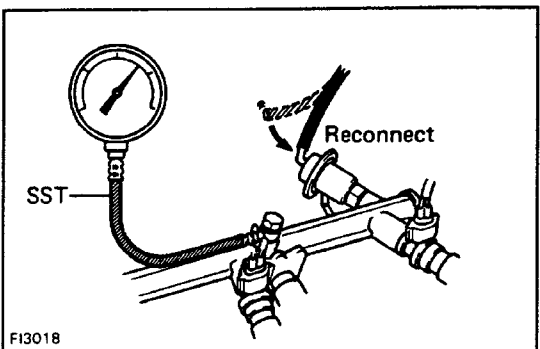
(n) Start the engine.

(o) Disconnect the vacuum hose from the pressure regulator and plug it closed.

(p) Measure the fuel pressure at idling.

Fuel pressure: 265-304 kPa

(2.7-3.1 kg f/cm², 38-44 psi)



(q) Reconnect the vacuum hose to the pressure regulator.

(r) Measure the fuel pressure at idling.

Fuel pressure: 226-265 kPa

(2.3-2.6 kgf/cm², 33-37 psi)

If not within the specified pressure, check the vacuum hose and pressure regulator.

(s) Stop the engine. Check that the fuel pressure remains above 147 kPa (1.5 kgf/cm², 21 psi) for 5 minutes after the engine is turned off.

If not within the specification, check the fuel pump, pressure regulator and/or injectors.

(t) After checking fuel pressure, disconnect the battery ground strap and carefully remove the SST to prevent gasoline from splashing.

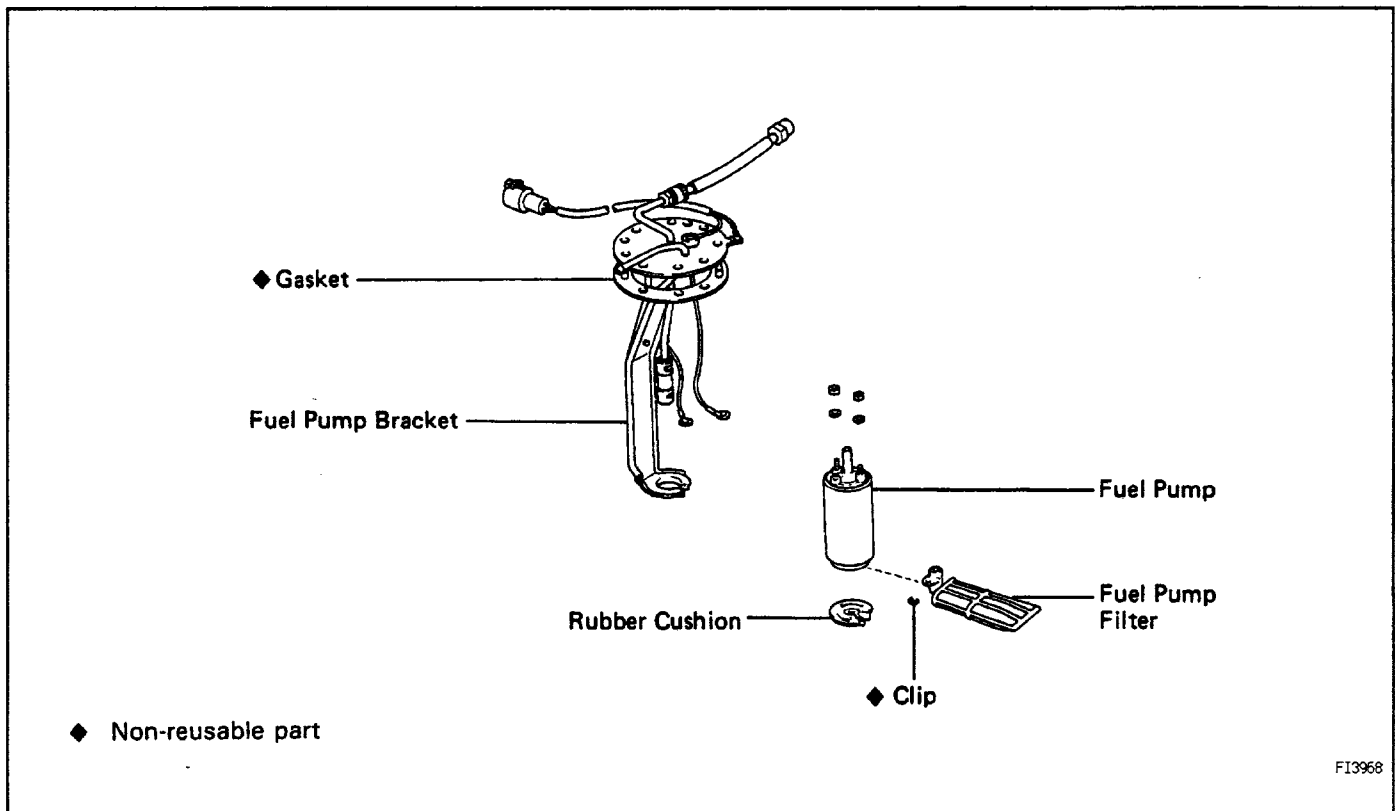
(u) Using new gaskets, reconnect the cold start injector pipe to the delivery pipe and cold start injector.

(v) Connect the wiring connector to the cold start injector.

(w) Start the engine and check for fuel leakage.

FUEL PUMP REMOVAL

EG1XN-01



1. DRAIN FUEL FROM FUEL TANK

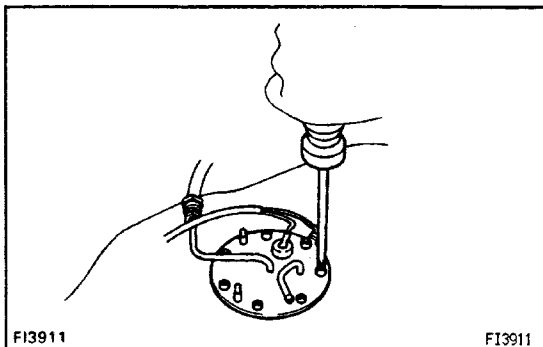
CAUTION: Do not smoke or work near an open flame when working on the fuel pump.

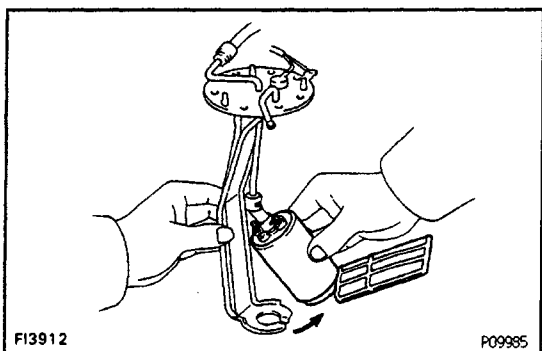
2. REMOVE FUEL TANK

3. REMOVE FUEL PUMP BRACKET

(a) Remove the seven bolts.

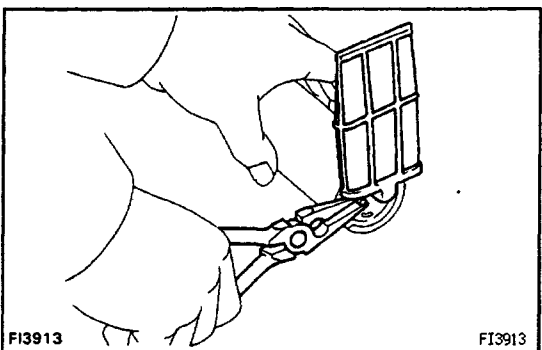
(b) Pull out the fuel pump bracket.





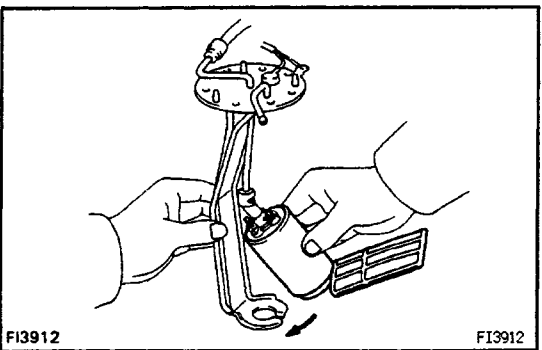
4. REMOVE FUEL PUMP

- (a) Remove the two nuts and disconnect the wires from the fuel pump.
- (b) Pull off the fuel pump from the lower side of the bracket.
- (c) Remove the fuel pump from the fuel hose.



5. REMOVE FUEL PUMP FILTER

- (a) Remove the rubber cushion.
- (b) Remove the clip and pull out the filter.



FUEL PUMP INSTALLATION

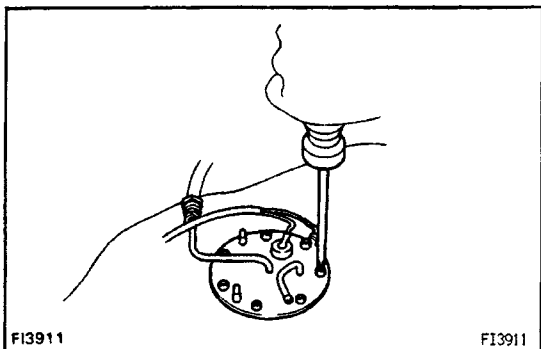
EG1XP-01

(See page [EG1-180](#))

1. INSTALL FUEL PUMP FILTER

2. INSTALL FUEL PUMP

- (a) Insert the outlet port of the fuel pump into the fuel hose.
- (b) Install the rubber cushion to the lower side of the fuel pump.
- (c) Push the lower side of the pump, together with the rubber cushion, into the pump bracket.



3. INSTALL FUEL PUMP BRACKET

- (a) Place the bracket with a new gasket on the fuel tank.
- (b) Install and torque the seven screws.

Torque: 3.8 N-m (40 kgf-cm, 34 in.-lbf)

4. INSTALL FUEL TANK

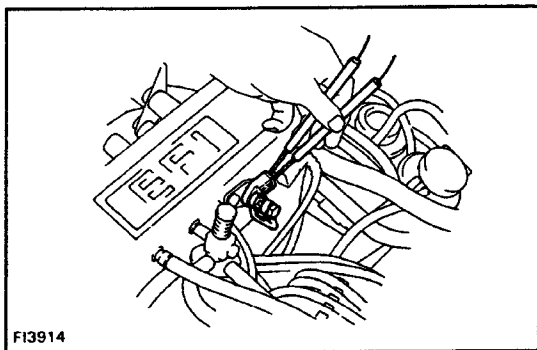
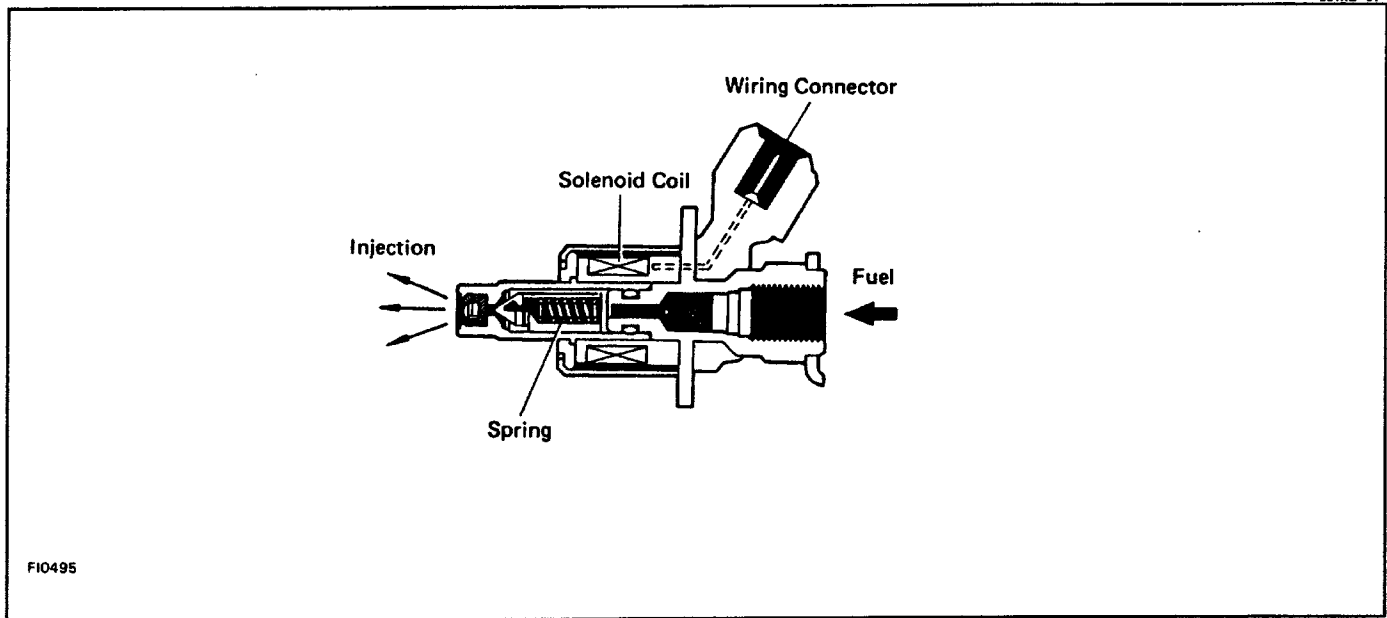
NOTICE:

- Tighten the fuel tank mounting bolts, etc. to the specified torque.

- Tighten the pipe and flare nut type hose to the specified torque.
- Push in the pipe and insert-type hose to the specified position, and install the clip to the specified location.
- If reusing the hose, reinstall the clip at the original location.

5. REFILL WITH FUEL

COLD START INJECTOR



ON-VEHICLE INSPECTION

MEASURE RESISTANCE OF COLD START INJECTOR

- (a) Disconnect the cold start injector connector.
- (b) Using ohmmeter, check the resistance of the injector.

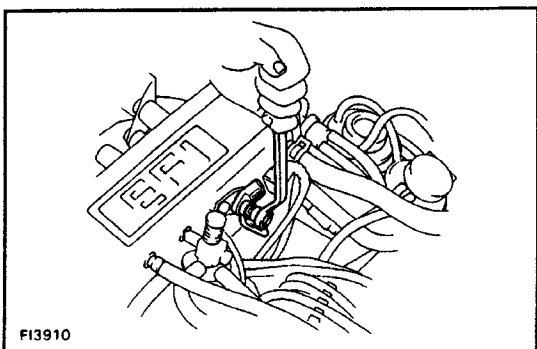
Resistance: 2 -4

- (c) Connect the cold start injector connector.

COLD START INJECTOR REMOVAL

1. DISCONNECT CABLE FROM NEGATIVE TERMINAL OF BATTERY

2. DISCONNECT COLD START INJECTOR CONNECTOR



3. REMOVE COLD START INJECTOR

- (a) Put a suitable container or shop towel under the cold start injector pipe.
- (b) Remove the union bolts and four gaskets, and remove the cold start injector pipe.

HINT: Slowly loosen the union bolt.

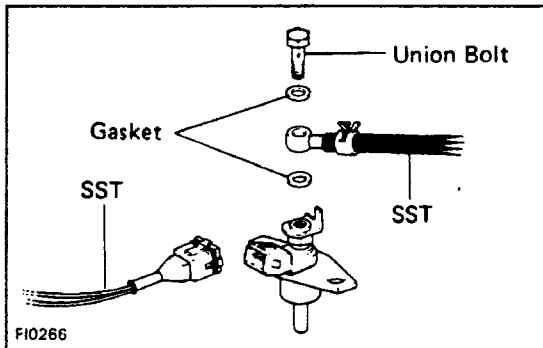
- (c) Remove the two bolts and cold start injector with the gasket.

COLD START INJECTOR INSPECTION

CHECK INJECTION OF COLD START INJECTOR

HINT: The engine should be cold.

(a) Remove the cold start injector.



(b) Install a gasket, SST (two unions), another gasket and two union bolts to the delivery pipe and injector.

(c) Connect the SST (hose) to each union.

SST 09268-41045 (092368-41080)

(d) Connect the SST (wire) to the injector.

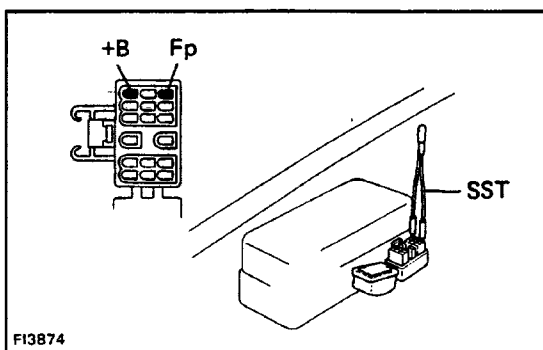
SST 09842-30050

CAUTION: Position the injector as far away from the battery as possible.

(e) Put a container under the injector.

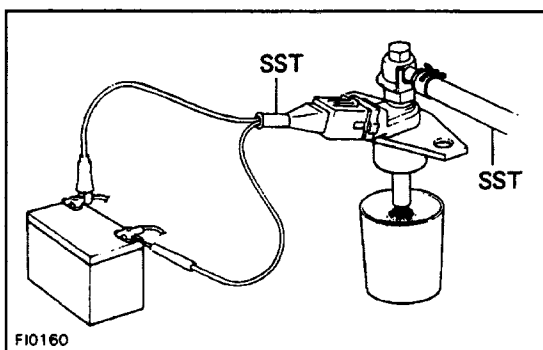
(f) Turn the ignition switch ON.

HINT: Do not start the engine.



(g) Using SST, connect terminals Fp and + B of the DLC 1.

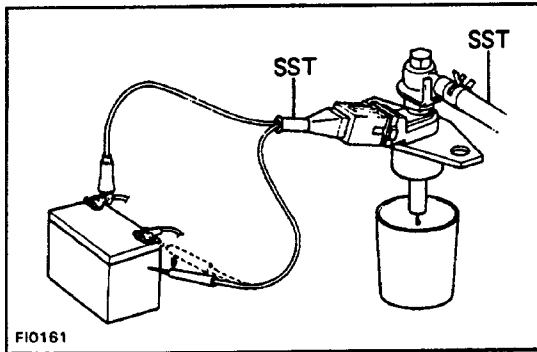
SST 09843-18020



(h) Connect the test probes of the SST to the battery and check that the fuel injection is as shown.

SST 09842-30050

NOTICE: Perform this check within the shortest possible time.

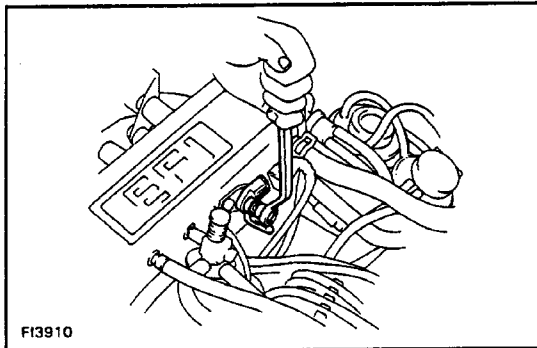


(i) Disconnect the test probes from the battery and check fuel leakage from the injector.

Fuel drop: One drop or less per minute

(j) After checking, remove SST and restore the following parts to their original conditions.

- DLC1
- Ignition switch
- Cold start injector
- Injector wiring



COLD START INJECTOR INSTALLATION

1. INSTALL COLD START INJECTOR

(a) Using new gasket, install the cold start injector with the two bolts.

Torque: 7.8 N-m (80 kgf-cm, 69 in.-lbf)

(b) Install the fuel pipe between the cold start injector and fuel delivery pipe with new gaskets.

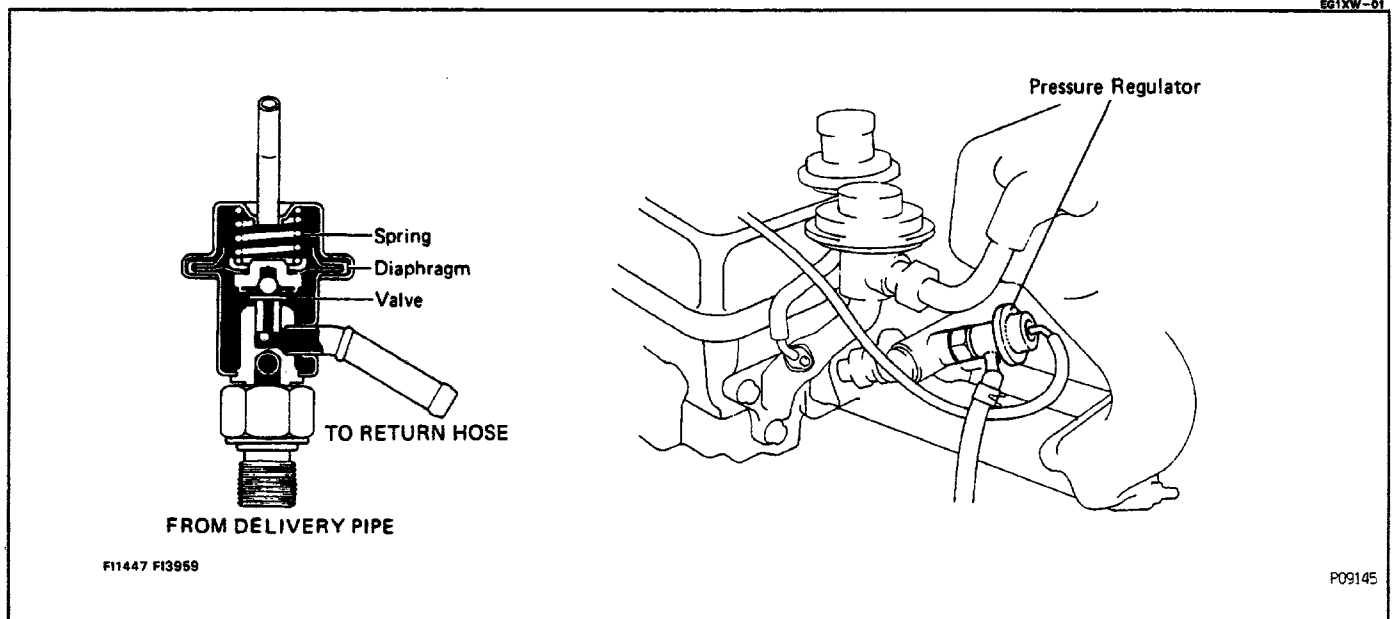
Torque: 19 N-m (195 kgf-cm, 14 ft.-lbf)

2. CONNECT COLD START INJECTOR CONNECTOR

3. CONNECT CABLE TO NEGATIVE TERMINAL OF BATTERY

4. CHECK FOR FUEL LEAKAGE

FUEL PRESSURE REGULATOR



ON-VEHICLE INSPECTION

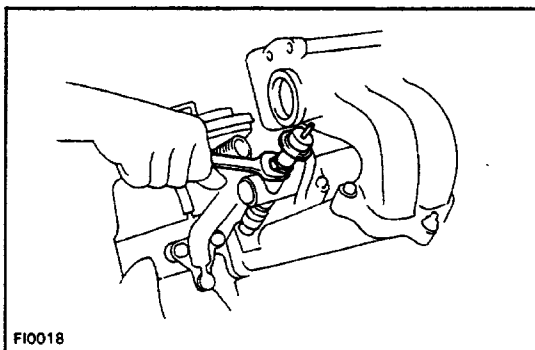
CHECK FUEL PRESSURE (See page [EG1-178](#))

EG1XK-0

PRESSURE REGULATOR REMOVAL

1. DISCONNECT VACUUM SENSING HOSE
2. REMOVE NO. 1 EGR PIPE

EG1XY-01



3. DISCONNECT FUEL HOSE

(a) Put a suitable container or shop towel under the pressure regulator.

(b) Disconnect the fuel hose the pressure regulator.

4. REMOVE PRESSURE REGULATOR

Loosen the lock nut, and remove pressure regulator.

PRESSURE REGULATOR INSTALLATION

1. INSTALL PRESSURE REGULATOR

Install the pressure regulator. Torque the lock nut.

Torque: 29 N-m (300 kgf-cm. 22 ft-lbf)

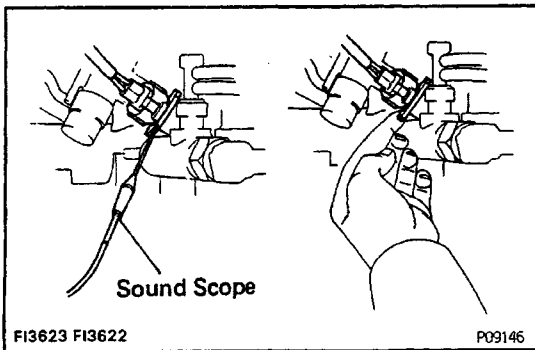
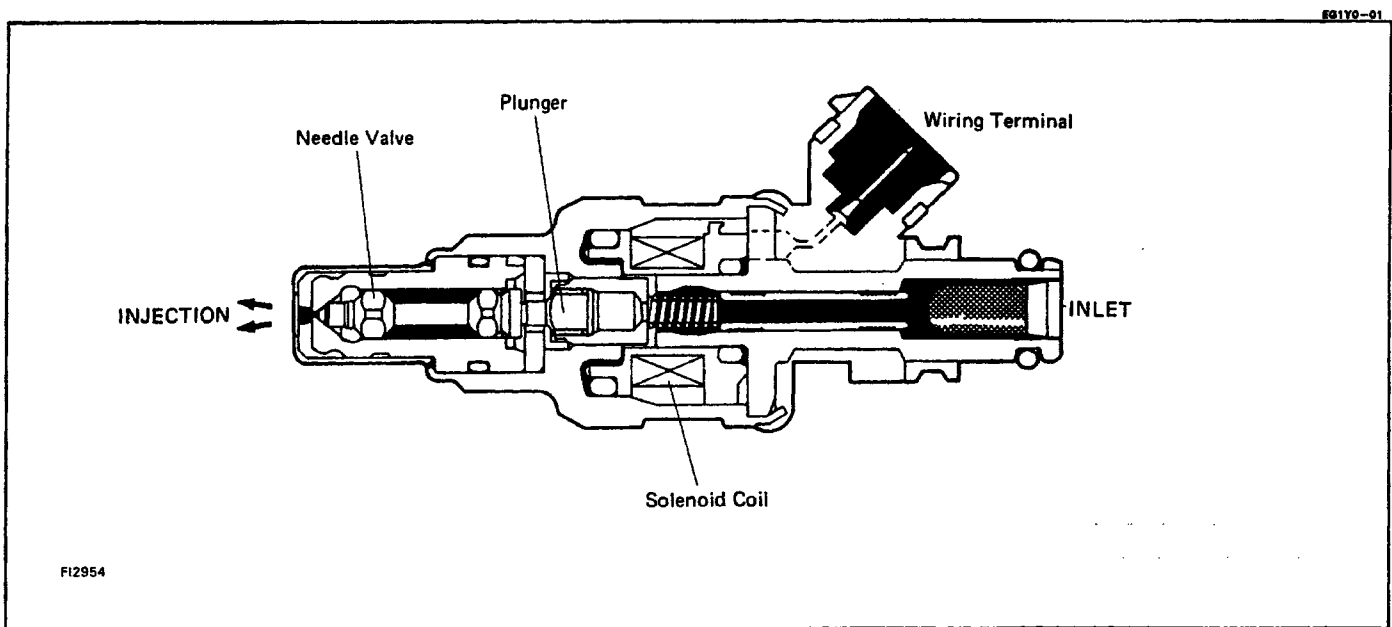
2. CONNECT FUEL HOSE

3. INSTALL NO. 1 EGR PIPE

Install a new gasket and No. 1 EGR pipe.

4. CONNECT VACUUM SENSING HOSE

INJECTOR



ON-VEHICLE INSPECTION

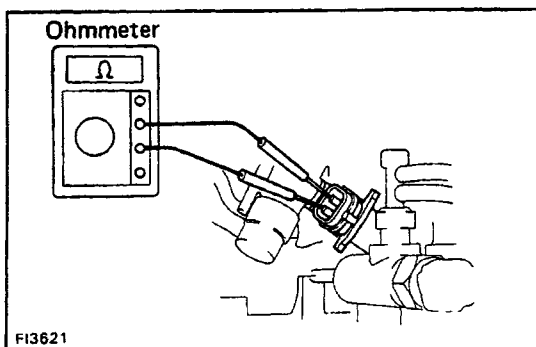
1. CHECK INJECTOR OPERATION

Check for operating sound from each injector.

(a) With the engine running or cranking, use a sound scope to check that there is normal operating noise in proportion to engine rpm.

(b) If you have no sound scope, you can check the injector transmission operation with your finger.

If no sound or an unusual sound is heard, check the wiring connector, injector or injection signal from ECM.



2. MEASURE RESISTANCE OF INJECTOR

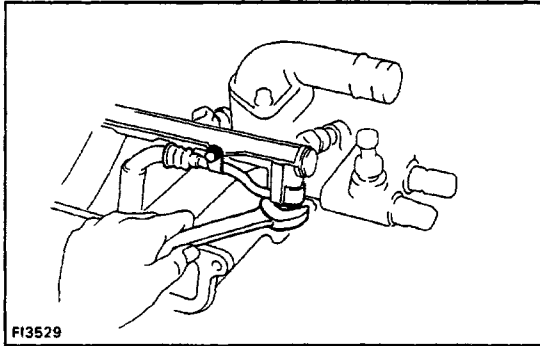
(a) Unplug the wiring connector from the injector.

(b) Using an ohmmeter, measure the resistance of both terminals.

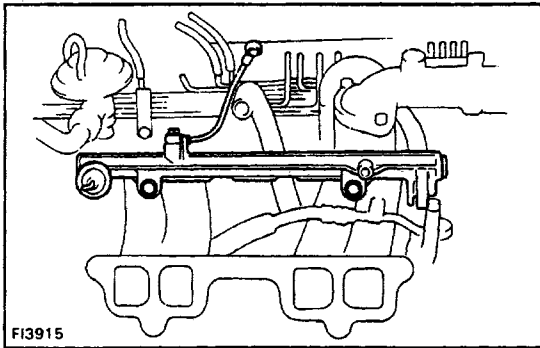
Resistance: 13.4-14.2

INJECTORS REMOVAL

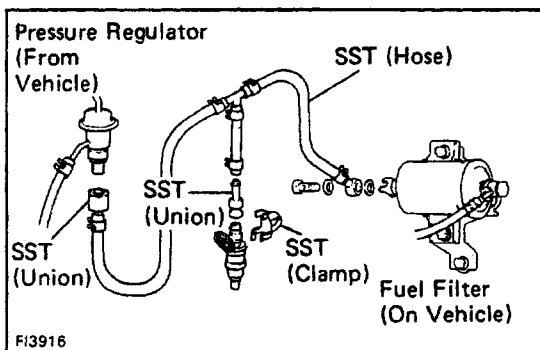
1. DISCONNECT CABLE FROM NEGATIVE TERMINAL OF BATTERY
2. DRAIN COOLANT
3. REMOVE CHAMBER WITH THROTTLE BODY
(See steps 9 to 15 on pages EG1-16,17)
4. DISCONNECT WIRES
(See step 17 page EG1-17)



5. DISCONNECT FUEL HOSE FROM DELIVERY PIPE
Remove the bolt, union bolt and two gaskets.

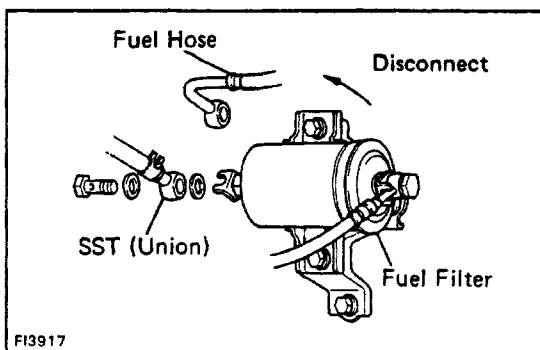


6. REMOVE DELIVERY PIPE WITH INJECTORS
Remove two bolts and then remove the delivery pipe with the injectors.

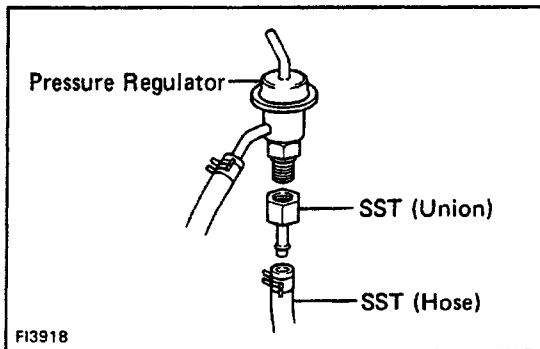


INJECTORS INSPECTION

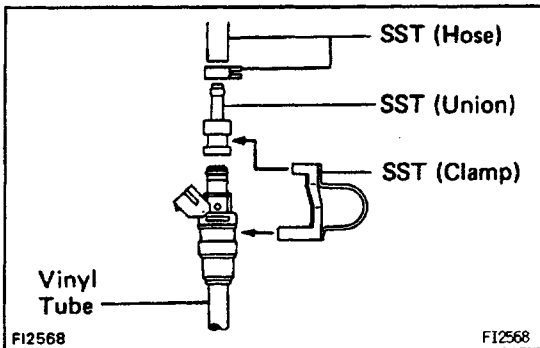
1. TEST INJECTION OF INJECTOR
CAUTION: Keep injector clear of sparks during the test.



- (a) Disconnect the fuel hose from the fuel filter outlet.
 - (b) Connect SST (Union) to the fuel filter outlet.
SST 09268-41045 (90405-09015)
- HINT: Use the vehicle's fuel filter.



(c) Install SST (Union) to the removed pressure regulator.
SST 09268-41045 (09268-52010)



(d) Install SST (Union) to the injector and hold the injector and union with SST (Clamp).

SST 09268-41045

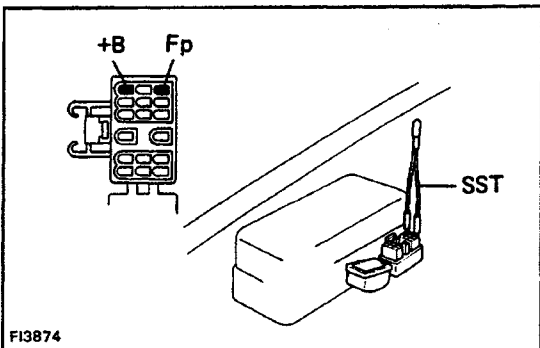
(e) Put the injector into the graduated cylinder.

HINT: Install a suitable vinyl tube unto the injector to prevent gasoline from splashing out.

(f) Connect the battery cable.

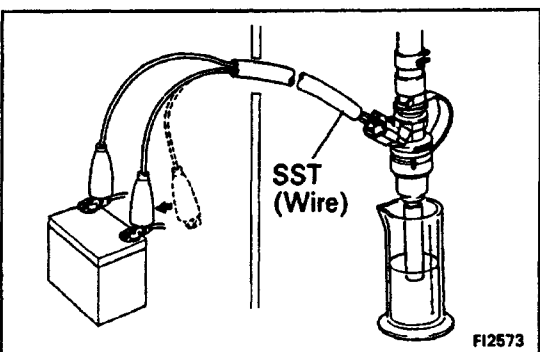
(g) Turn the ignition switch ON.

HINT: Do not start the engine.



(h) Using SST, connect terminals Fp and +B of the DLC1.
SST 09843-18020

HINT: Fuel pump will operate.



Connect SST (wire) to the injector and battery for 15 seconds and measure the injection volume with a graduated cylinder. Test each injector two or three times.

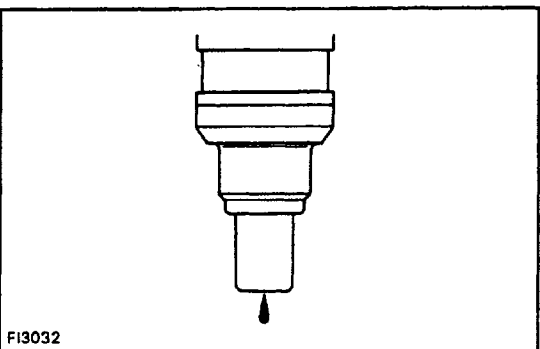
SST 09842 - 30070

Volume: 45-55 cm³/15 sec. (2.7- 3.4 cu in.)

Difference between each injector:

6 cm³ (0.4 cu in.) or less

If not within specified volume, replace the injector.



2. CHECK LEAKAGE

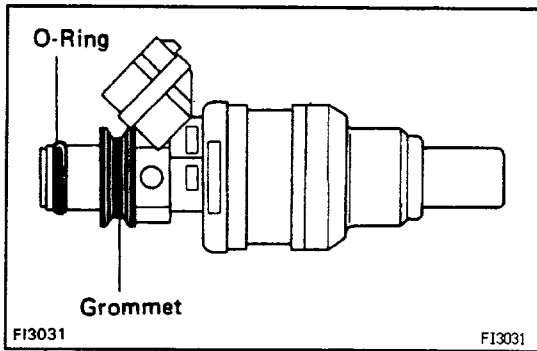
(a) In the condition above, disconnect SST from the battery and check for fuel leakage from the injector nozzle.

SST 09842-30060

Fuel drop: One drop or less per minute

(b) Disconnect the battery cable.

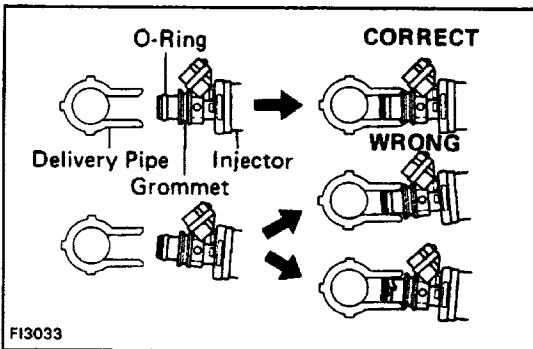
(c) Remove SST.



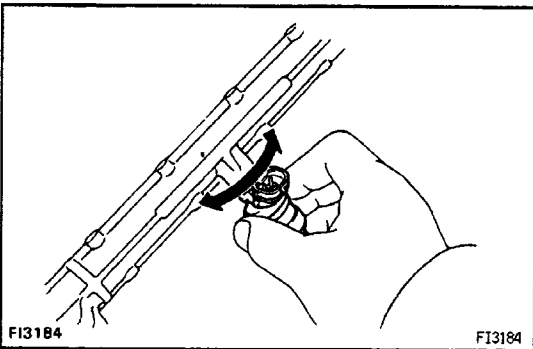
INJECTORS INSTALLATION

1. INSTALL INJECTORS INTO DELIVERY PIPE

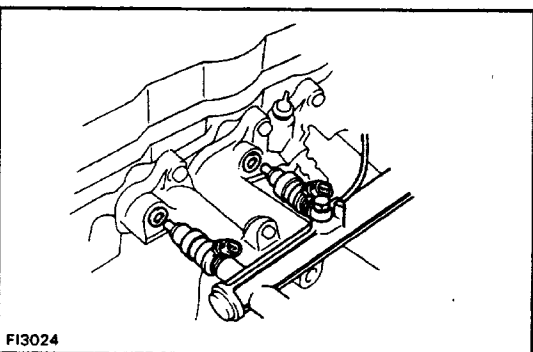
(a) Install the grommet and a new O-ring to the injector.



(b) Apply a light coat of gasoline to the O-rings and install the injectors into the delivery pipe.



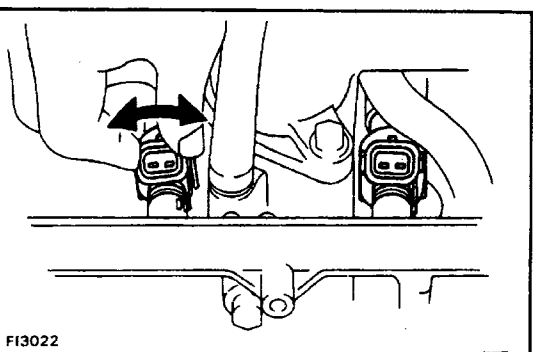
(c) Make sure that the injectors rotate smoothly.
HINT: If the injectors do not rotate smoothly, the O-rings are probably incorrectly installed. Replace the O-rings.



2. INSTALL DELIVERY PIPE WITH INJECTORS

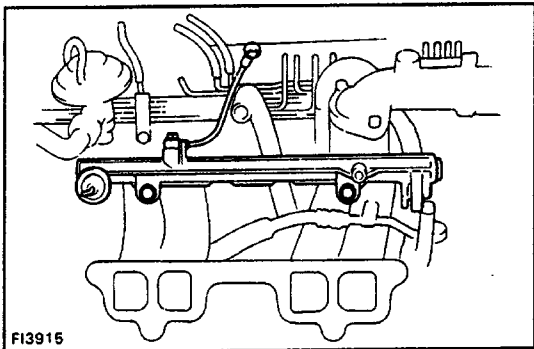
(a) Install the four insulators into the injector hole of the intake manifold.

(b) Place the injectors together with the delivery pipe to the manifold.



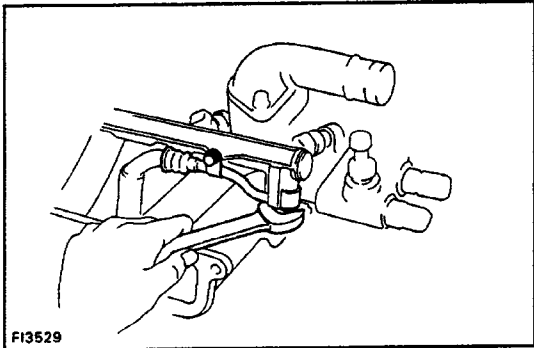
(c) Make sure that the injectors rotate smoothly.

HINT: If the injectors do not rotate smoothly, probable cause may be incorrect installation of O-rings. Replace O-rings again after removing the injectors.



(d) install and torque the bolts.

Torque: 19 N-m (195 kgf-cm, 14 ft-lbf)

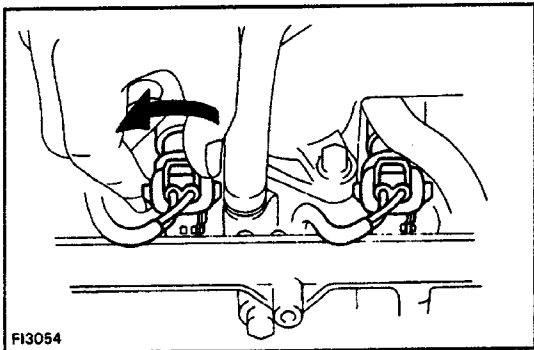


3. CONNECT FUEL HOSE TO DELIVERY PIPE

(a) Install the fuel hose with a bolt.

(b) Install the union bolt and new gaskets. Torque the union bolt.

Torque: 44 N-m (450 kgf-cm, 33 ft-lbf)



4. CONNECT WIRES

(See step 5 on page [EG1-36](#))

Turn the injector so that the injector positioning guide is aligned with the positioning rib of the delivery pipe.

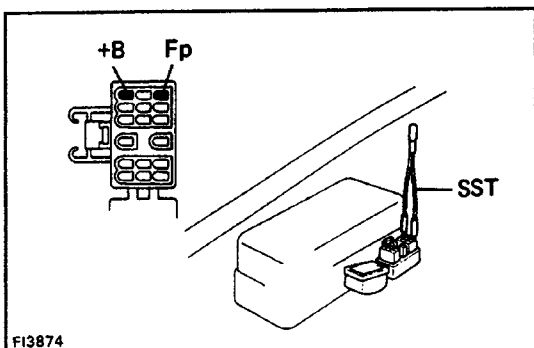
5. INSTALL CHAMBER WITH THROTTLE BODY

(See steps 7 to 14 on pages [EG1-37](#), 38)

6. FILL WITH COOLANT

(See step 3 on page [EG1-225](#))

7. CONNECT CABLE TO NEGATIVE TERMINAL OF BATTERY



8. CHECK FOR FUEL LEAKAGE

(a) With the ignition switch ON, use SST to connect terminals Fp and +B of the DLC1.

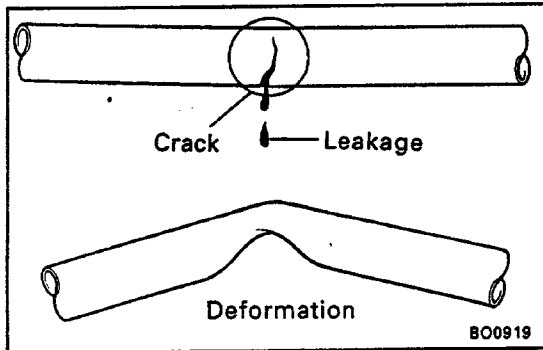
SST 09843-18020

(b) Check for fuel leakage.

(c) Remove SST from the DLC1.

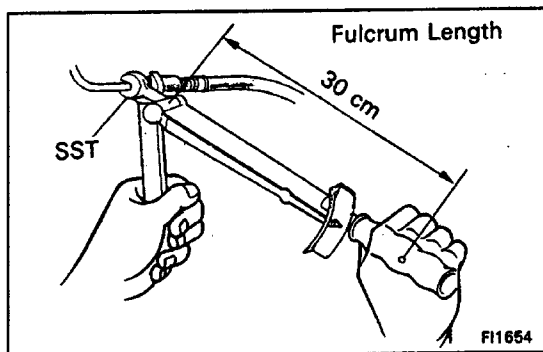
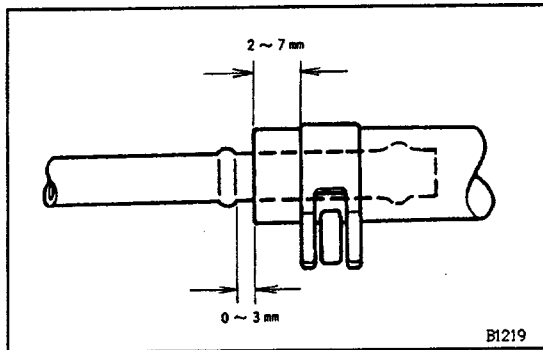
PRECAUTIONS

1. Always use new gaskets when replacing the fuel tank or component part.
2. Apply the proper torque to all parts tightened.

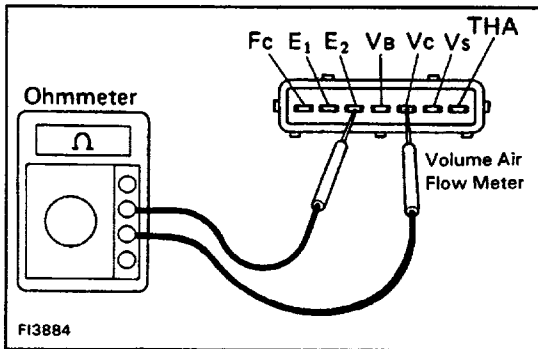
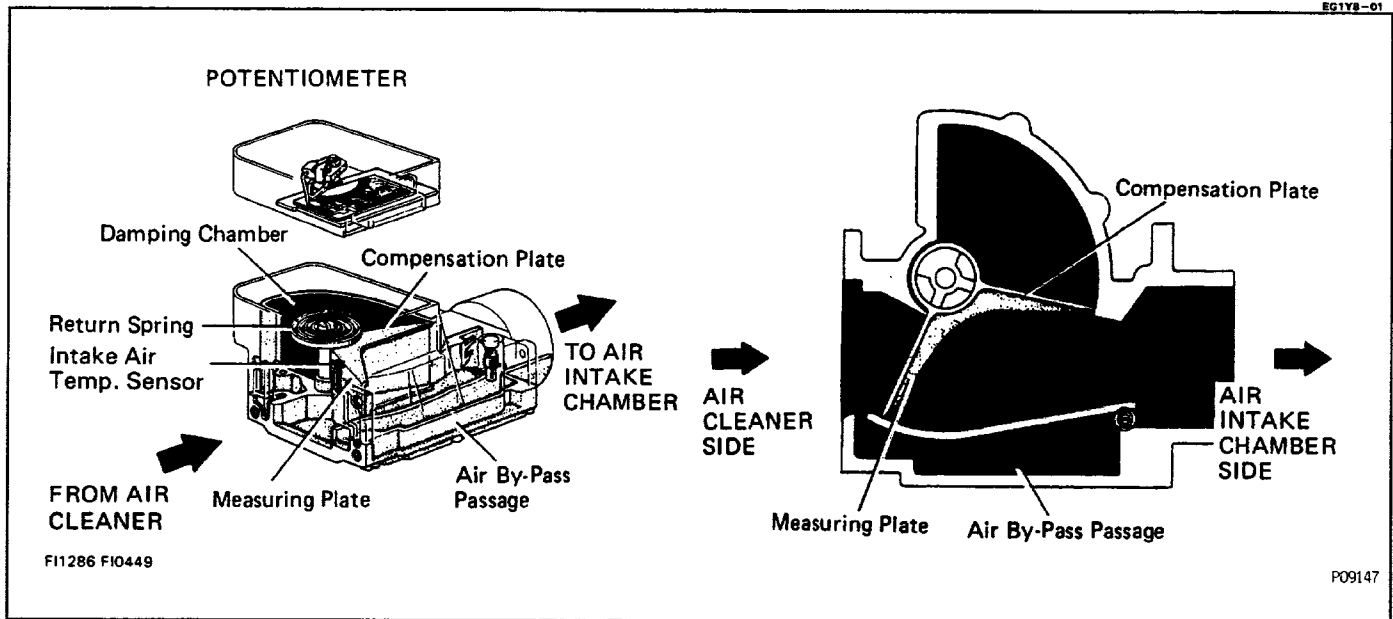
**FUEL LINES AND CONNECTIONS INSPECTION**

- (a) Inspect the fuel lines for cracks or leakage, and all connections for deformations.
- (b) Inspect the fuel tank vapor vent system hoses and connections for looseness, sharp bends or damage.
- (c) Inspect the fuel tank for deformations, cracks or fuel leakage.
- (d) Inspect the filler neck for damage or fuel leakage.
- (e) Hose and tube connections are as shown in the illustration.

If a problem is found, repair or replace the parts as necessary. .



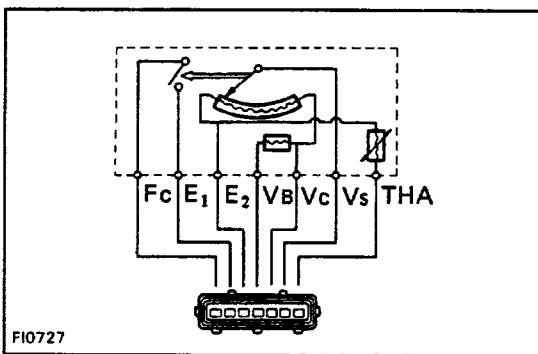
VOLUME AIR FLOW (VAF) METER



ON-VEHICLE INSPECTION

MEASURE RESISTANCE OF VOLUME AIR FLOW METER

- Disconnect the connector from the volume air flow meter.
- Using an ohmmeter, measure the resistance between each terminal.

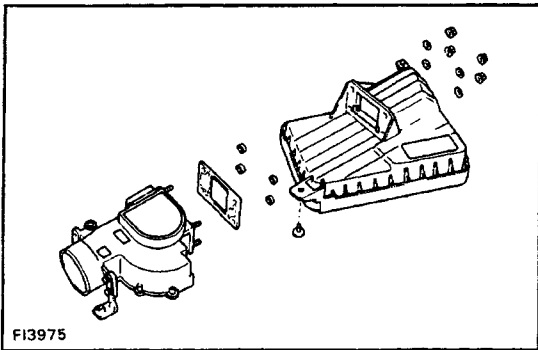


Between terminals	Resistance	Temperature
E ₂ - V _s	20 - 400 Ω	-
E ₂ - V _c	100 - 300 Ω	-
E ₂ - V _B	200 - 400 Ω	-
E ₂ - THA	10 - 20 kΩ	-20°C (-4°F)
	4 - 7 kΩ	0°C (32°F)
	2 - 3 kΩ	20°C (68°F)
	0.9 - 1.3 kΩ	40°C (104°F)
	0.4 - 0.7 kΩ	60°C (140°F)
E ₁ - F _c	Infinity	-

V02175

If not within specification, replace the volume air flow meter.

EG1YA-01



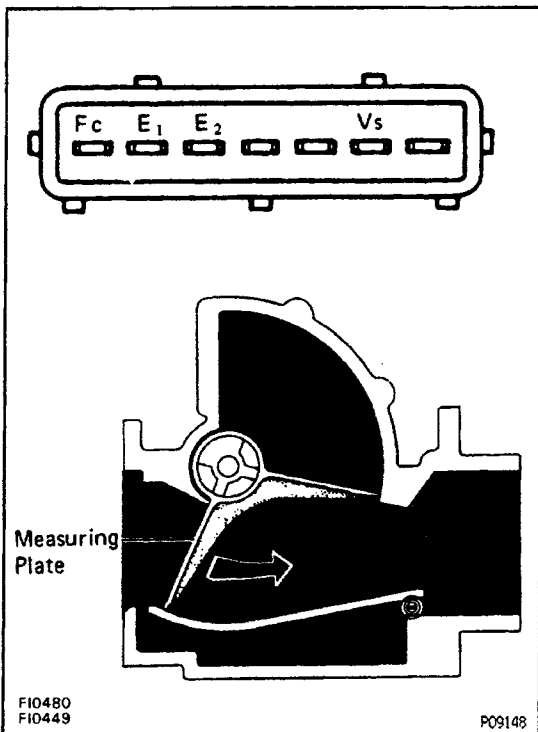
VAF METER REMOVAL

1. DISCONNECT INTAKE AIR CONNECTOR
2. REMOVE AIR CLEANER CAP WITH VOLUME AIR FLOW METER

(a) Disconnect the volume air flow meter connector.
 (b) Remove the air cleaner cap with volume air flow meter.

3. REMOVE VOLUME AIR FLOW METER

Remove the bolt, four nuts, washers, volume air flow meter and gasket.



VAF METER INSPECTION

EG1YB-01

MEASURE RESISTANCE OF VAF METER

Using an ohmmeter, measure the resistance between each terminal by moving the measuring plate.

Between terminals	Resistance (Ω)	Measuring plate opening
E1- Fc	Infinity	Fully closed
	Zero	Other than closed position
E2 - Vs	20-400	Fully closed
	20- 1,000	Fully open

HINT: Resistance between terminals E2 and Vs will change in a wave pattern as the measuring plate slowly opens.

VAF METER INSTALLATION

EG1YC-01

1. INSTALL VOLUME AIR FLOW METER

Install the gasket, volume air flow meter, washers, nuts and bolt. Torque the nuts and bolt.

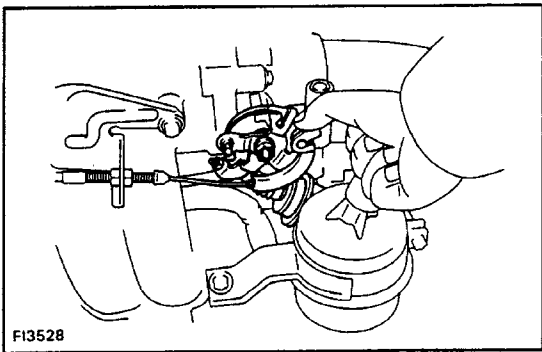
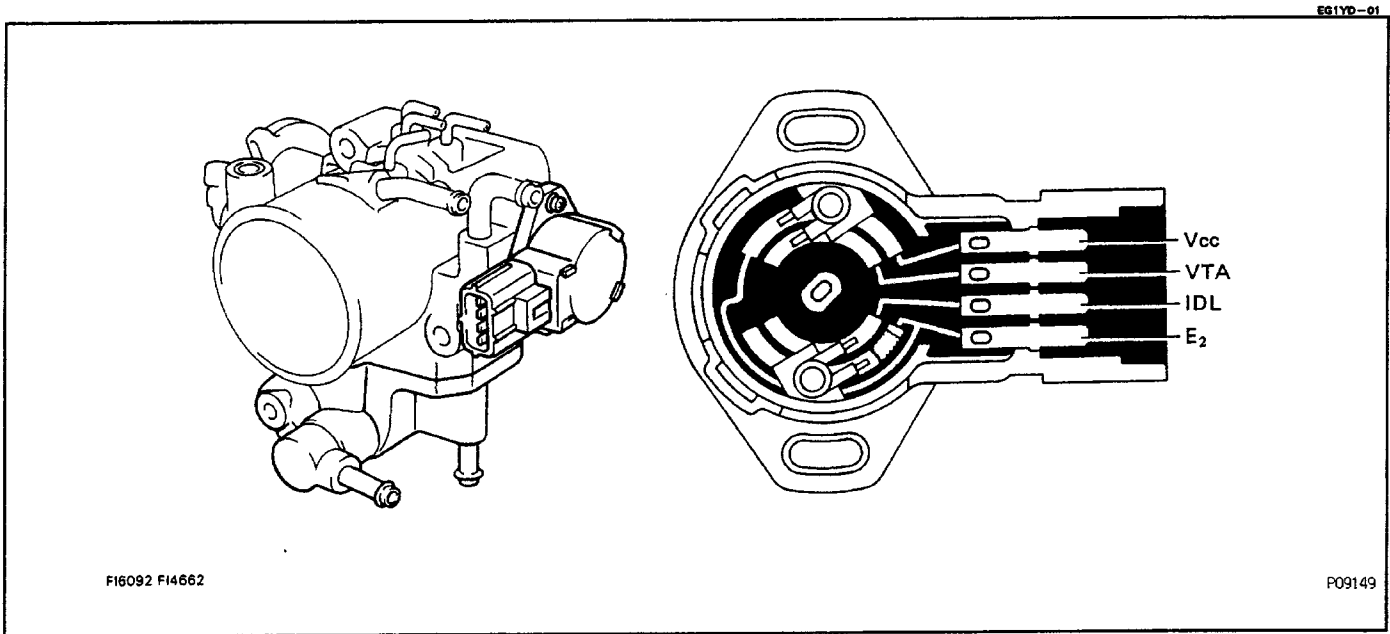
2. INSTALL AIR CLEANER CAP WITH VAF METER

(a) Install the air cleaner cap with VAF meter to the air cleaner case.

(b) Connect the VAF meter connector.

3. INSTALL INTAKE AIR CONNECTOR

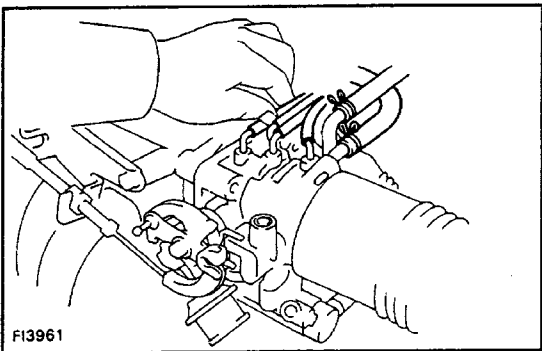
THROTTLE BODY



ON-VEHICLE INSPECTION

1. INSPECT THROTTLE BODY

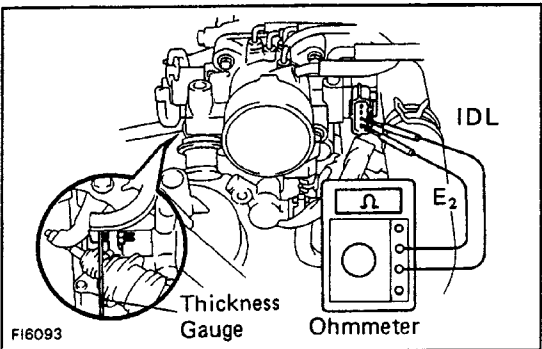
(a) Check that the throttle linkage moves smoothly.



(b) Check the vacuum at each port.

- Start the engine.
- Check the vacuum with your finger.

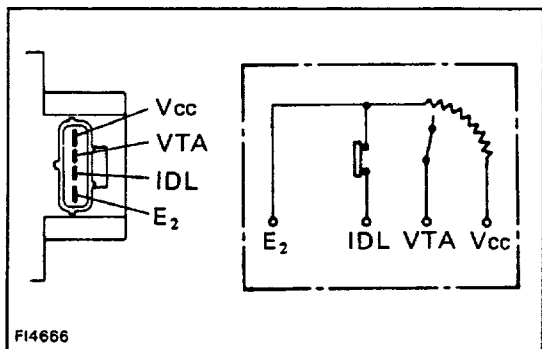
Port name	At idling	At 3,500 rpm
E	No vacuum	Vacuum
R	No vacuum	Vacuum
P	No vacuum	Vacuum



2. INSPECT THROTTLE POSITION SENSOR

Check the resistance between the terminals.

- Unplug the connector from the sensor.
Insert a thickness gauge between the throttle stop screw and stop lever.
- Using an ohmmeter, check the resistance between each terminal.



Clearance between lever and stop screw	Between terminals	Resistance
0 mm 10 in.	VTA - E2	0.47 - 8.1 kΩ
0.57 mm 10.0224 in.)	IDL - E2	2.3 kΩ or less
0.85 mm (0.0335 in.)	IDL - E2	Infinity
Throttle valve fully open	VTA - E2	3.1 - 12.1 kΩ
-	Vcc - E2	3.9 - 9.4 kΩ

FI4666

W01951

**3. (M/T)
INSPECT DASH POT (DP)**

A. Warm up engine

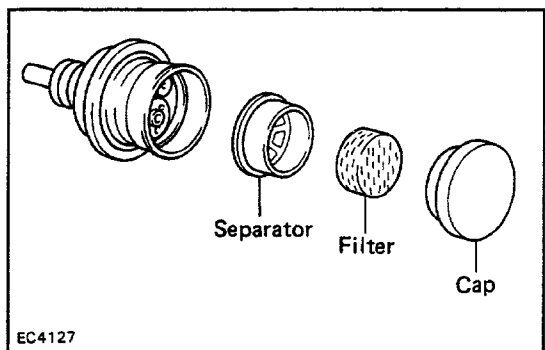
Allow the engine to warm up to normal operating temperature.

B. Check idle speed and adjust if necessary

(See page [MA-11](#))

Idle speed: 750 rpm

C. Remove cap, filter, and separator from DP

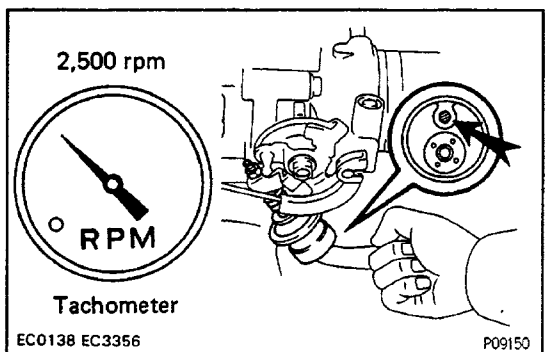


EC4127

D. Check and adjust dash pot (DP) setting speed

(a) Maintain engine speed at 2,500 rpm.

(b) Plug the VTV hole with your finger.



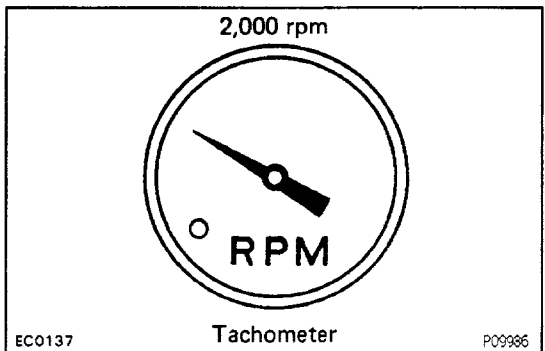
EC0138 EC3356

P09150

(c) Release the throttle valve.

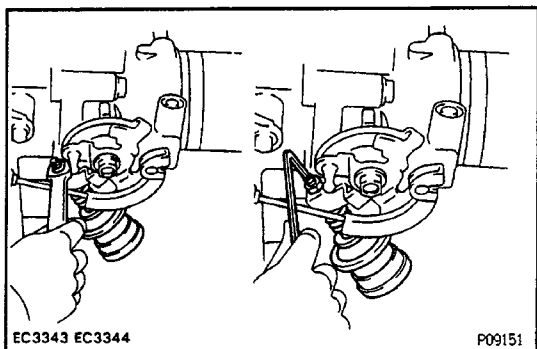
(d) Check the DP is set.

DP setting speed: 2,000 rpm

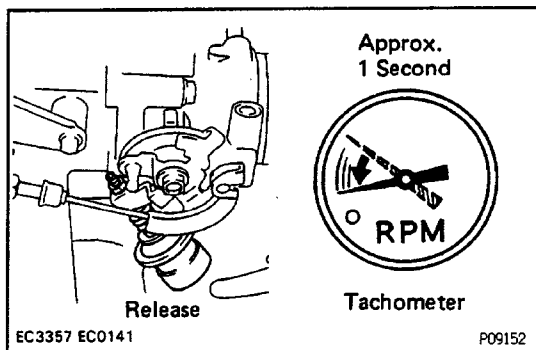


EC0137

P09986



(e) If not as specified, adjust with the DP adjusting screw.



E. Check operation of VTV

- (a) Set the DP setting speed in the same procedure as above; (a) to (c).
 (b) Remove your finger from the hole and check that the engine returns to idle speed in approx. 1 second.

F. Reinstall DP separator, filter and cap

HINT: Install the filter with the coarser surface facing the atmospheric side (outward).

4. (A/T)

INSPECT THROTTLE OPENER

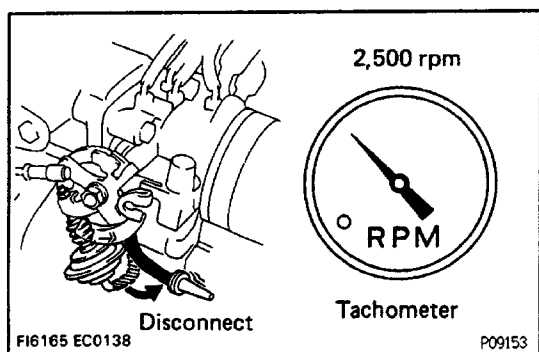
A. Warm up engine

Allow the engine to warm up to normal operating temperature.

B. Check idle speed

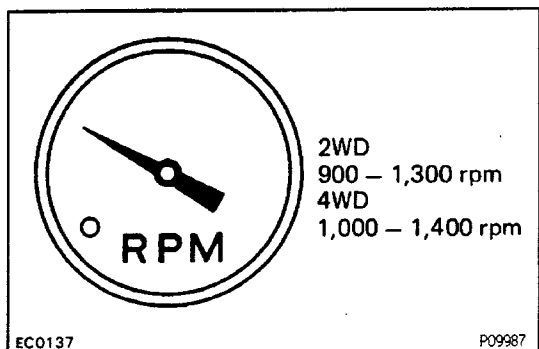
Idle speed: 2WD 750 50 rpm

4WD 850 ± 50 rpm



C. Check and adjust throttle opener setting speed

- (a) Disconnect the vacuum hose from the throttle opener, and plug the hose end.
 (a) Disconnect the vacuum hose from the throttle opener, and plug the hose end.

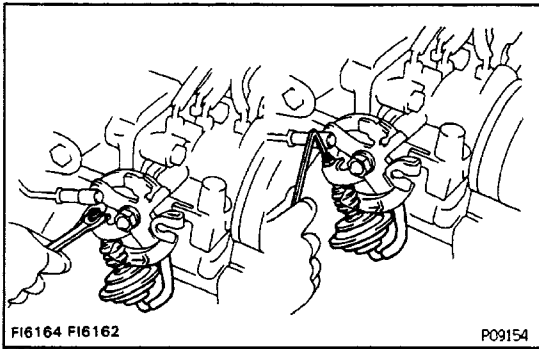


- (c) Release the throttle valve.
 (d) Check that the throttle opener is set.

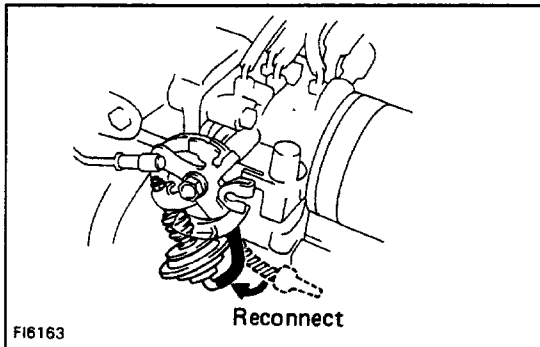
Throttle opener setting speed:

2WD 900-1,300 rpm

4WD 1,000-1,400 rpm



(e) If not as specified, adjust with the throttle opener adjusting screw.

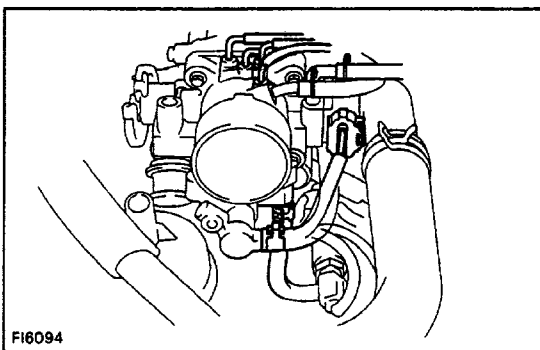


(f) Reconnect the vacuum hose to the throttle opener.

THROTTLE BODY REMOVAL

EG1YF-01

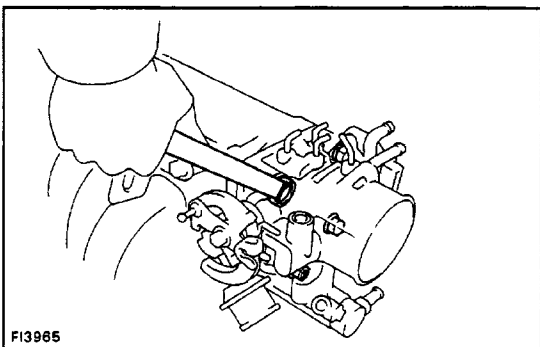
1. REMOVE INTAKE AIR CONNECTOR
2. DRAIN COOLANT
3. DISCONNECT ACCELERATOR CABLE



4. DISCONNECT FOLLOWING HOSES:

- (a) (with A/C)
A/C idle up hose.
- (b) PCV hose
- (c) No. 2 and No. 3 water by-pass hoses.
- (d) Label and disconnect the emission control hoses.

5. DISCONNECT THROTTLE SENSOR CONNECTOR



6. REMOVE THROTTLE BODY

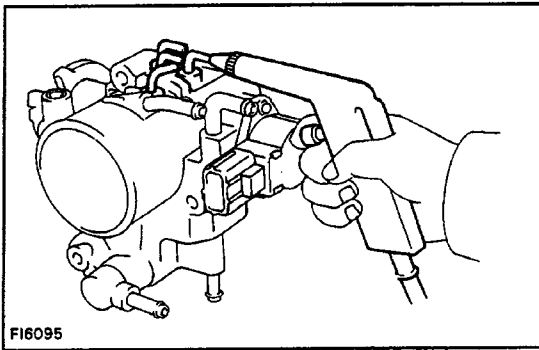
Remove the three bolts and nut, and remove the throttle body and gasket.

THROTTLE BODY INSPECTION

1. CLEAN THROTTLE BODY BEFORE INSPECTION

- Wash and clean the cast parts with a soft brush in carburetor cleaner.
- Using compressed air, clean all the passages and apertures in the throttle body.

NOTICE: To prevent deterioration, do not clean the throttle position sensor.

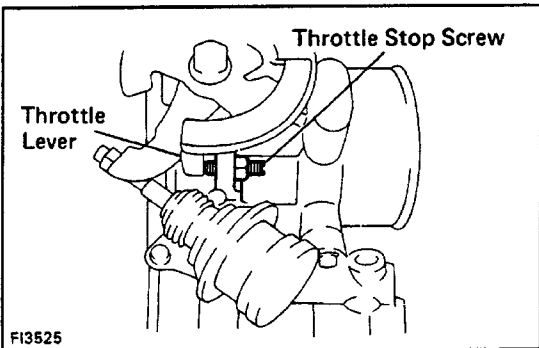


2. CHECK THROTTLE VALVE

Check that there is no clearance between the throttle stop screw and throttle lever when the throttle valve is fully closed.

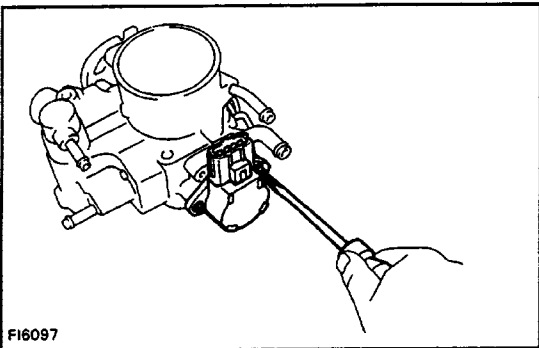
3. CHECK THROTTLE POSITION SENSOR

(See step 2 on page [EG1-197](#))

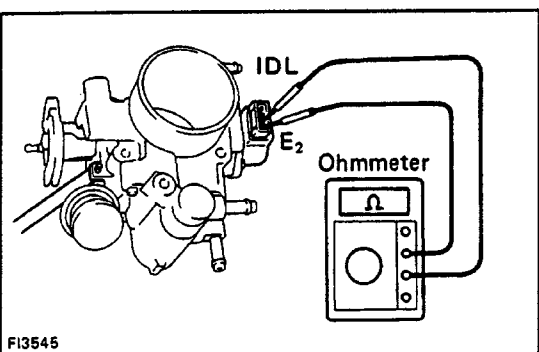


4. IF NECESSARY, ADJUST THROTTLE POSITION SENSOR

- Loosen the two screws of the sensor.

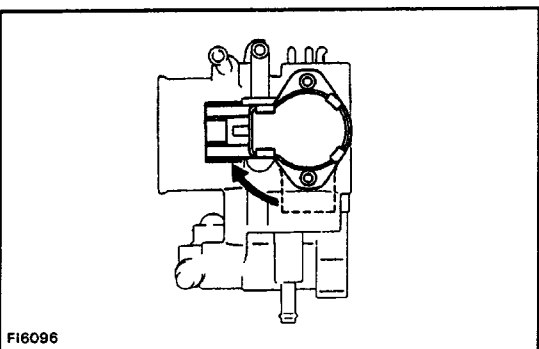


- Insert a thickness gauge (0.70 mm or 0.0276 in.) between the throttle stop screw and lever, and connect the ohmmeter to terminals IDL and E2.

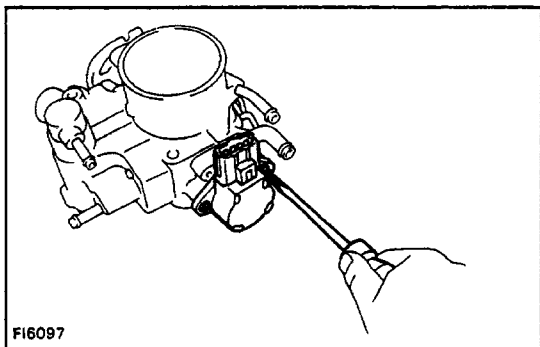


- Gradually turn the sensor clockwise until the ohmmeter deflects, and secure the sensor with the two screws.

- Using a thickness gauge, recheck the continuity between terminals IDL and E2.



Clearance between lever and stop screw	Continuity (IDLE - E2)
0.57 mm (0.0224 in.)	Continuity
0.85 mm (0.0335 in.)	No continuity

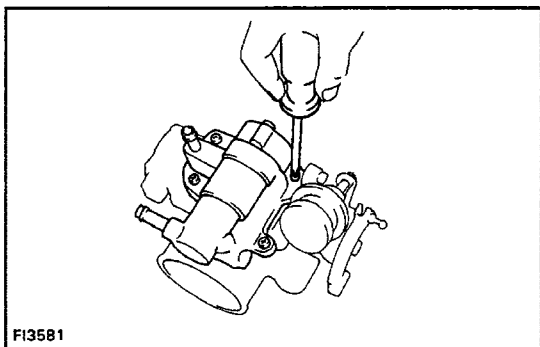


F16097

THROTTLE BODY DISASSEMBLY

1. REMOVE THROTTLE POSITION SENSOR

Remove the two screws and sensor.



F13581

2. REMOVE AUXILIARY AIR VALVE

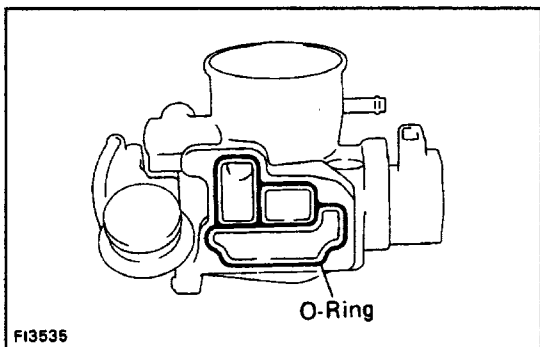
Remove the four screws, air valve and O-ring.

3. (M/T)

REMOVE DASH POT

4. (A/T)

REMOVE THROTTLE OPENER



F13535

THROTTLE BODY ASSEMBLY

1. (M/T)

INSTALL DASH POT

2. (A/T)

INSTALL THROTTLE OPENER

3. INSTALL AIR VALVE

(a) Place a new O-ring on the throttle body.

(b) Install the air valve with the four screws.

4. INSTALL THROTTLE POSITION SENSOR

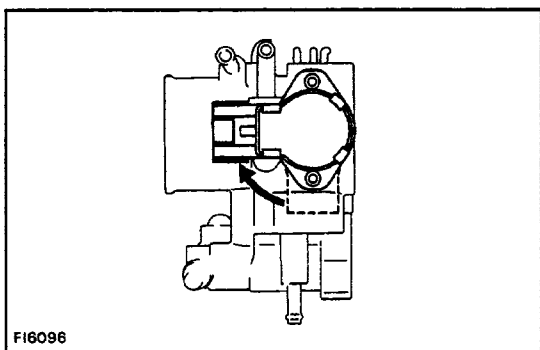
(a) Check that the throttle valve is fully closed.

(b) Place the sensor on the throttle body as shown in the illustration.

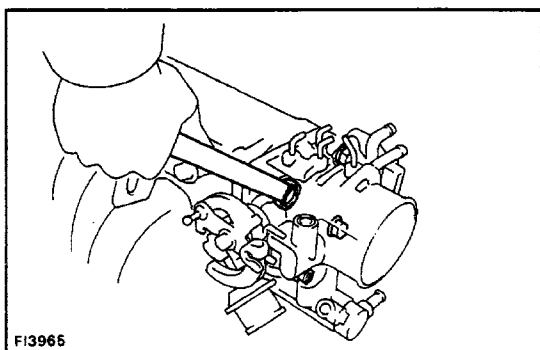
(c) Turn the sensor clockwise, and temporarily install the two screws.

5. ADJUST THROTTLE POSITION SENSOR

(See step 4 on page [EG1-202](#))



F16096



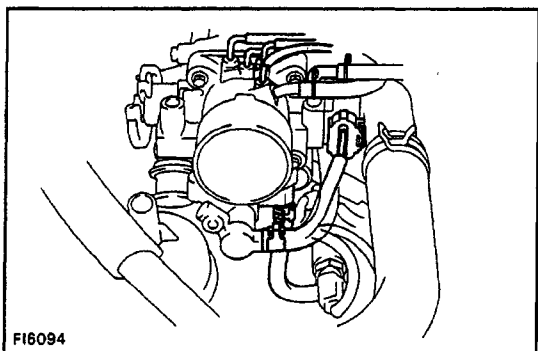
F13965

THROTTLE BODY INSTALLATION

1. INSTALL THROTTLE BODY

Using a new gasket, install the throttle body, three bolts and nut.

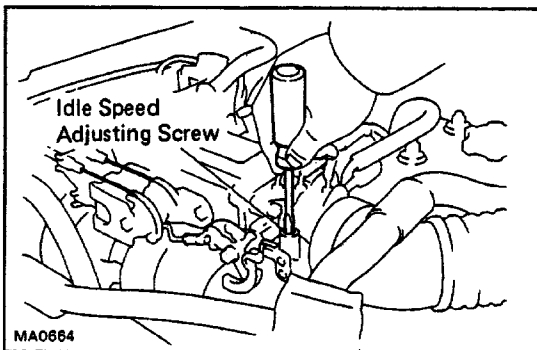
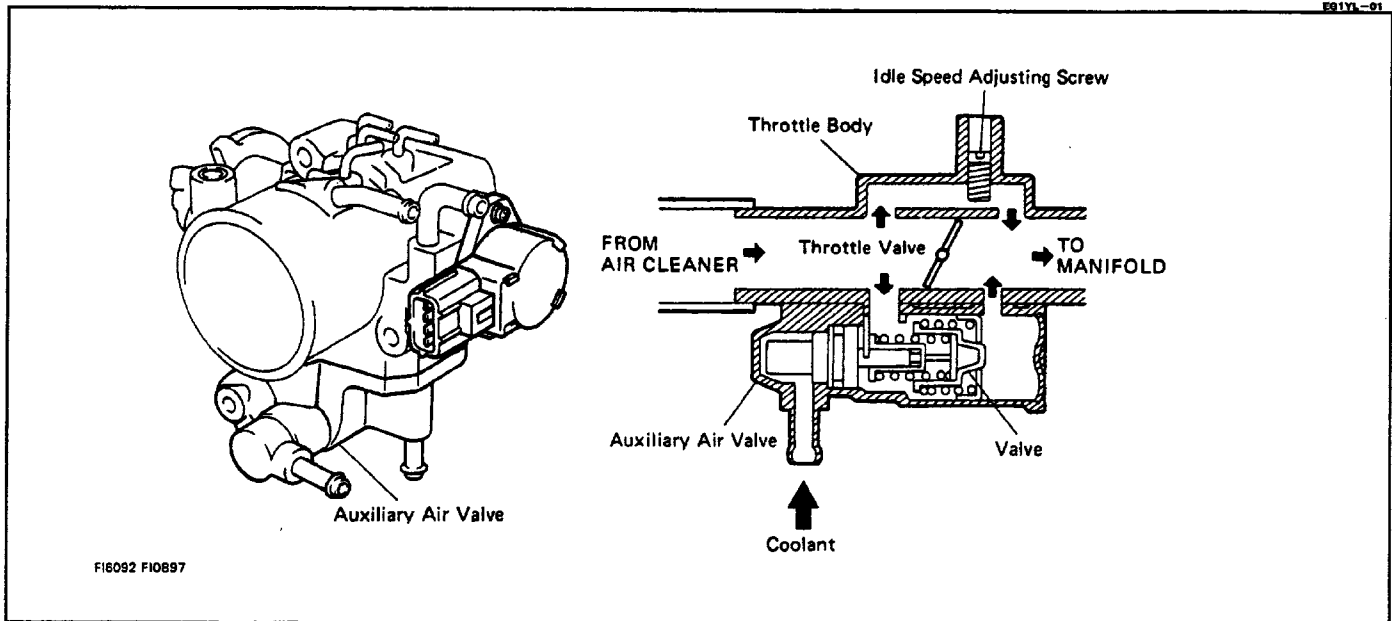
Torque: 19 N-m (195 kgf-cm. 14 ft-lbf)

**2. CONNECT THROTTLE SENSOR CONNECTOR****3. CONNECT FOLLOWING HOSES:**

- (a) Emission control hoses
- (b) No. 2 and No. 3 water by-pass hoses
- (c) PCV hose
- (d) (with A/C) A/C idle up hose

4. CONNECT ACCELERATOR CABLE**5. INSTALL AIR INTAKE CONNECTOR****6. FILL WITH COOLANT**

AUXILIARY AIR VALVE



ON -VEHICLE INSPECTION

EG1YM-02

CHECK OPERATION OF AUXILIARY AIR VALVE

Check the engine rpm by fully screwing in the idle speed adjusting screw.

At low temp. (Coolant temp.: below 80°C/176°F)

- When the idle speed adjusting screw is in, the engine rpm should drop.
- After warm-up
- When the idle speed adjusting screw is in, the engine rpm should drop below idle speed stop.

AUXILIARY AIR VALVE REMOVAL

EG1YN-01

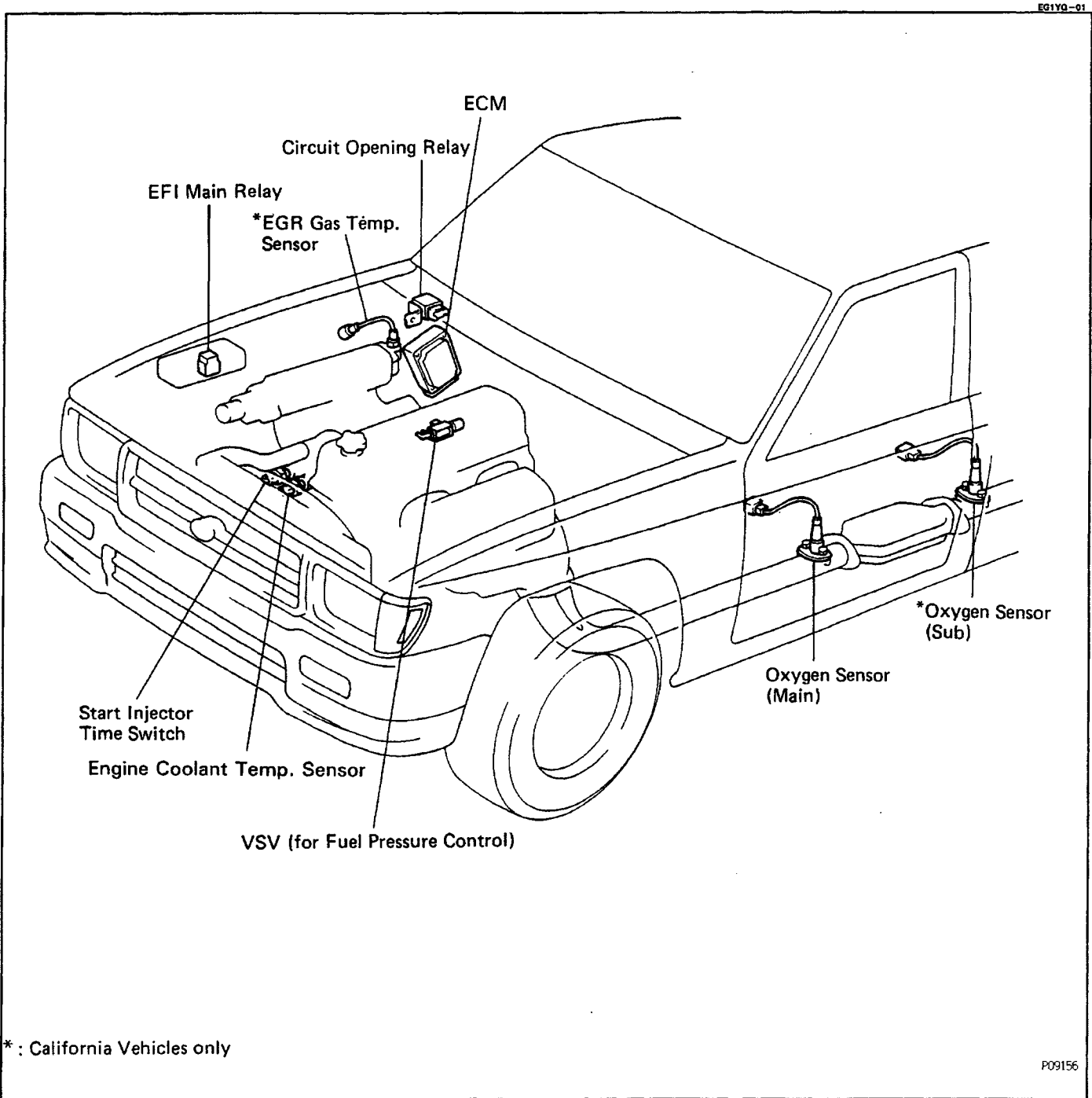
1. REMOVE THROTTLE BODY
(See page [EG1-200](#))
2. REMOVE AUXILIARY AIR VALVE
(See step 2 on page [EG1-202](#))

AUXILIARY AIR VALVE INSTALLATION w

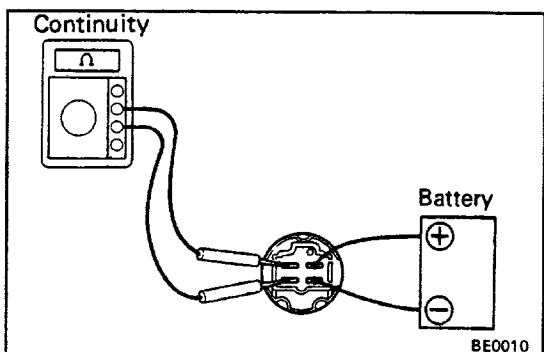
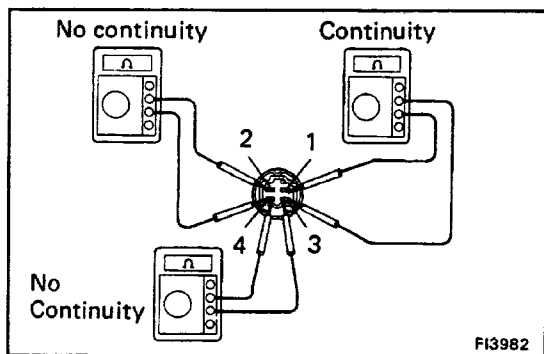
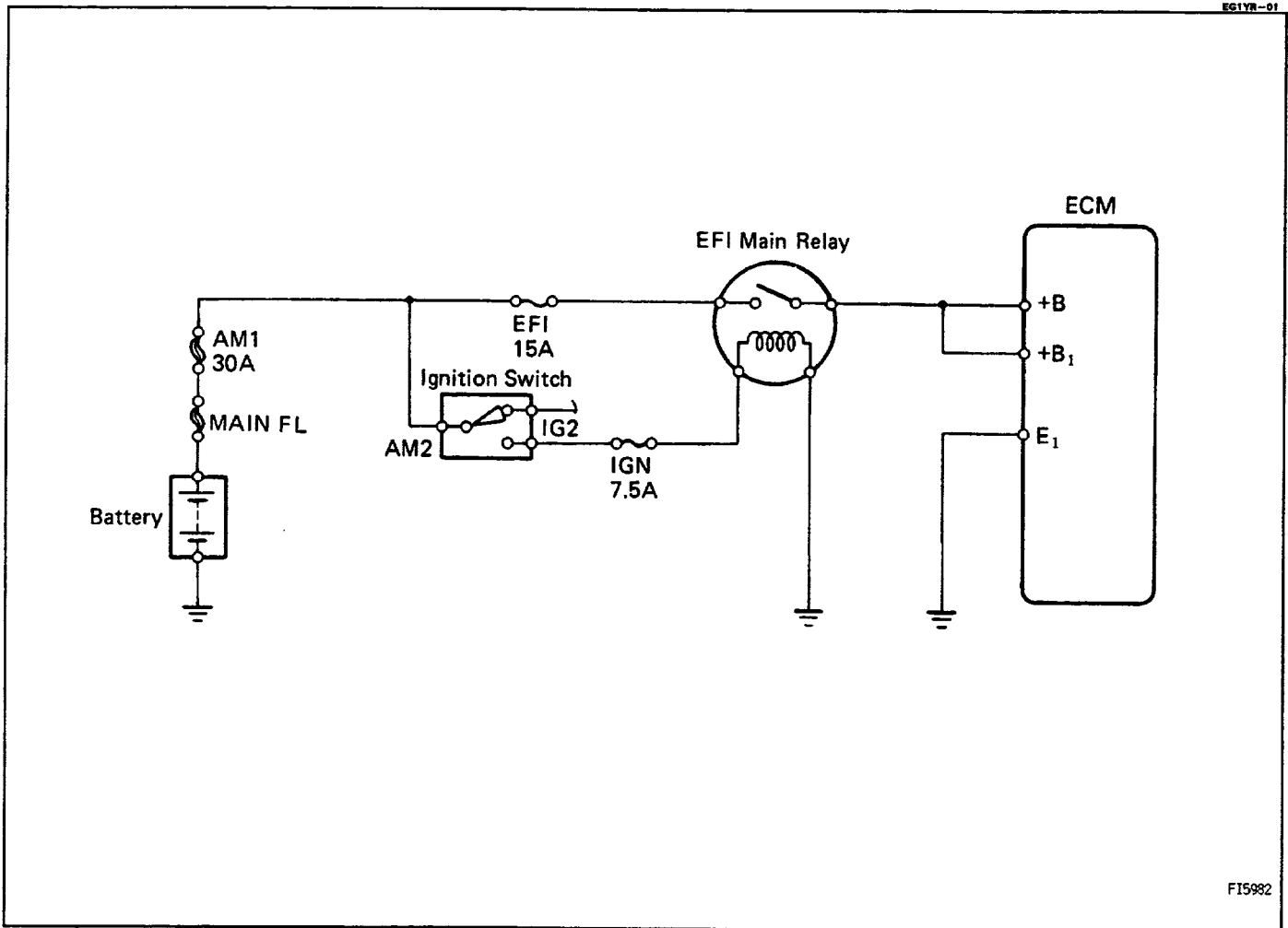
1. INSTALL AUXILIARY AIR VALVE
(See step 2 on page [EG1-202](#))

2. INSTALL THROTTLE BODY
(See page EG1-202)

ELECTRONIC PARTS LOCATION



EFI MAIN RELAY



EFI MAIN RELAY INSPECTION

1. INSPECT RELAY CONTINUITY

- (a) Using an ohmmeter, check that there is continuity between terminals 1 and 3.
- (b) Check that there is no continuity between terminals 2 and 4.
- (c) Check that there is no continuity between terminals 3 and 4.

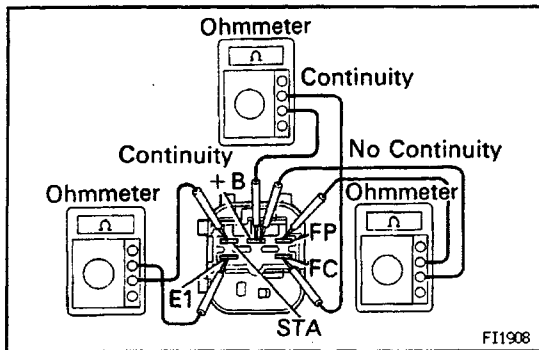
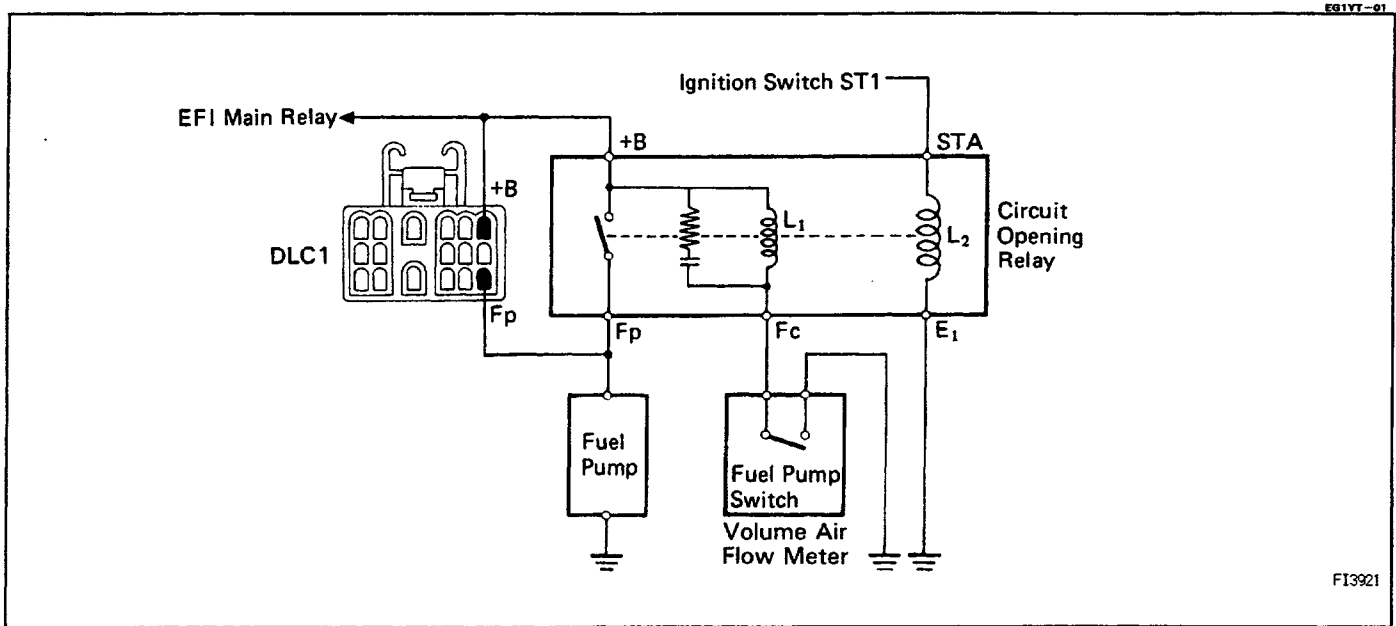
If operation is not as specified, replace the relay.

2. INSPECT RELAY OPERATION

- (a) Apply battery voltage across terminals 1 and 3.
- (b) Using an ohmmeter, check that there is continuity between terminals 2 and 4.

If operation is not as specified, replace the relay.

CIRCUIT OPENING RELAY



CIRCUIT OPENING RELAY INSPECTION

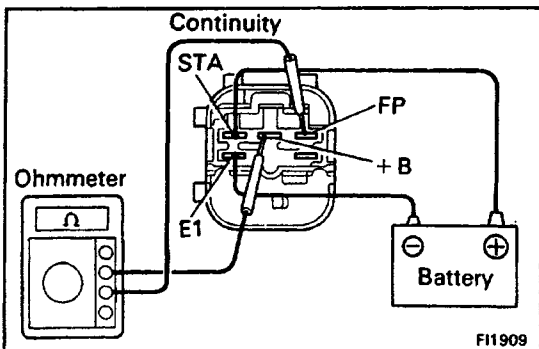
1. INSPECT RELAY CONTINUITY

- (a) Using an ohmmeter, check that there is continuity between terminals STA and E1.
- (b) Check that there is no continuity between terminals B and FC.
- (c) Check that there is no continuity between terminals B and FP.

If continuity is not as specified, replace the relay.

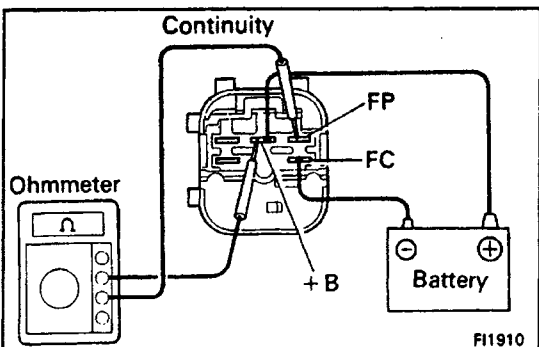
2. INSPECT RELAY OPERATION

- (a) Apply battery voltage across terminals STA and E1.
- (b) Using an ohmmeter, check that there is continuity between terminals B and FP.

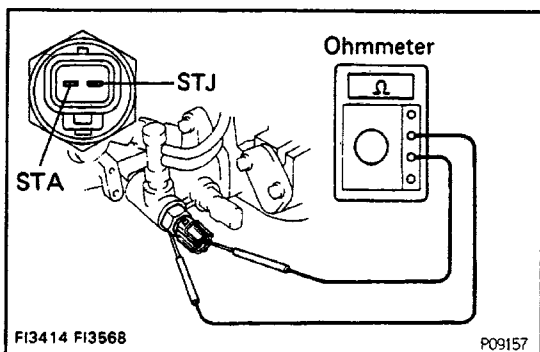
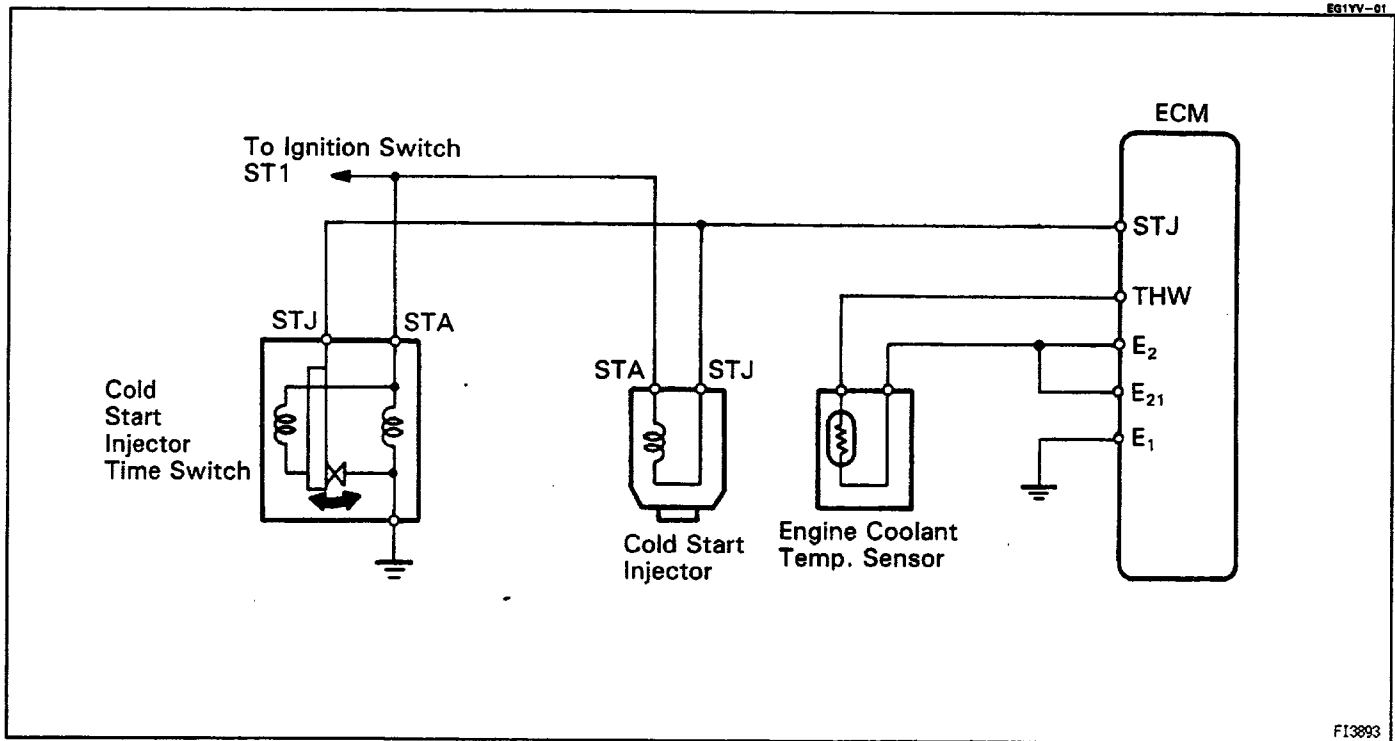


- (c) Apply battery voltage across terminals B and FC.
- (d) Check that there is continuity between terminals B and FP.

If operation is not as specified, replace the relay.



COLD START INJECTOR TIME SWITCH



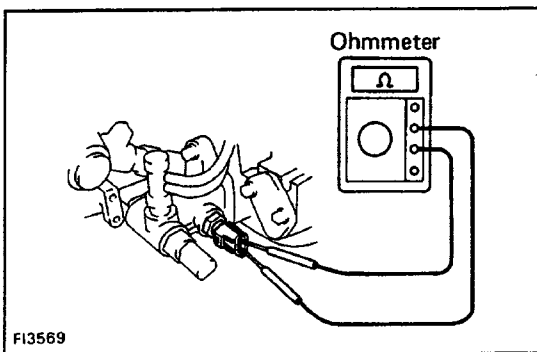
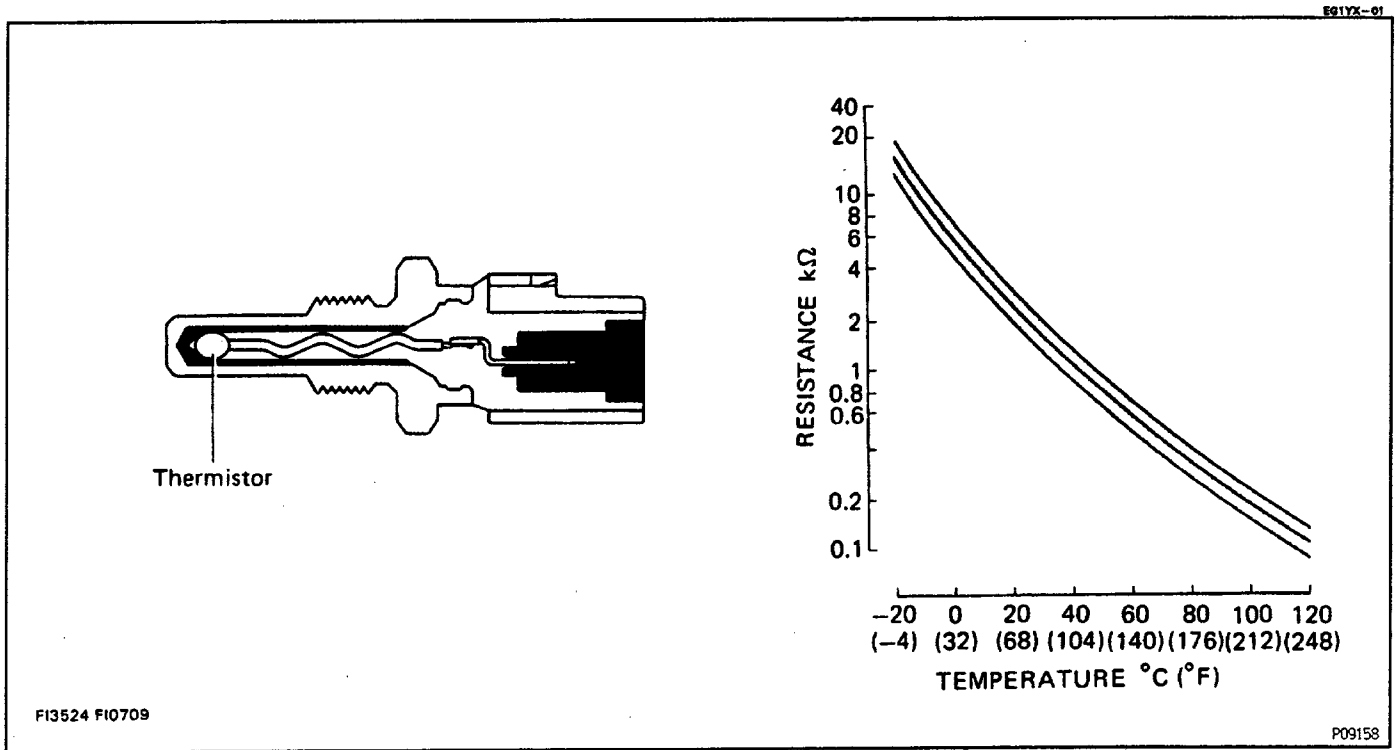
START INJECTOR TIME SWITCH INSPECTION

MEASURE RESISTANCE OF START INJECTOR TIME SWITCH

- Disconnect the connector.
- Using an ohmmeter, measure the resistance between terminals.

Between terminals	Resistance (Ω)	Coolant temperature
STA - STJ	30-50	below 10°C (54°F)
	65-90	above 30°C (86°F)
STA - Ground	30-90	-

ENGINE COOLANT TEMPERATURE (ECT) SENSOR

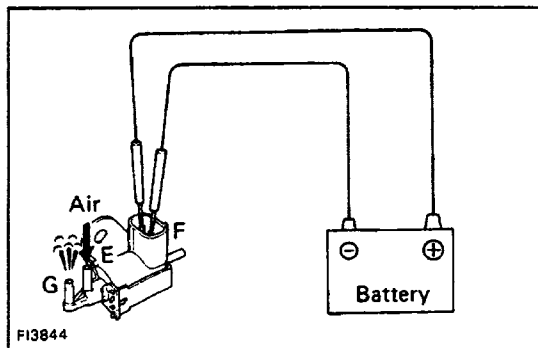
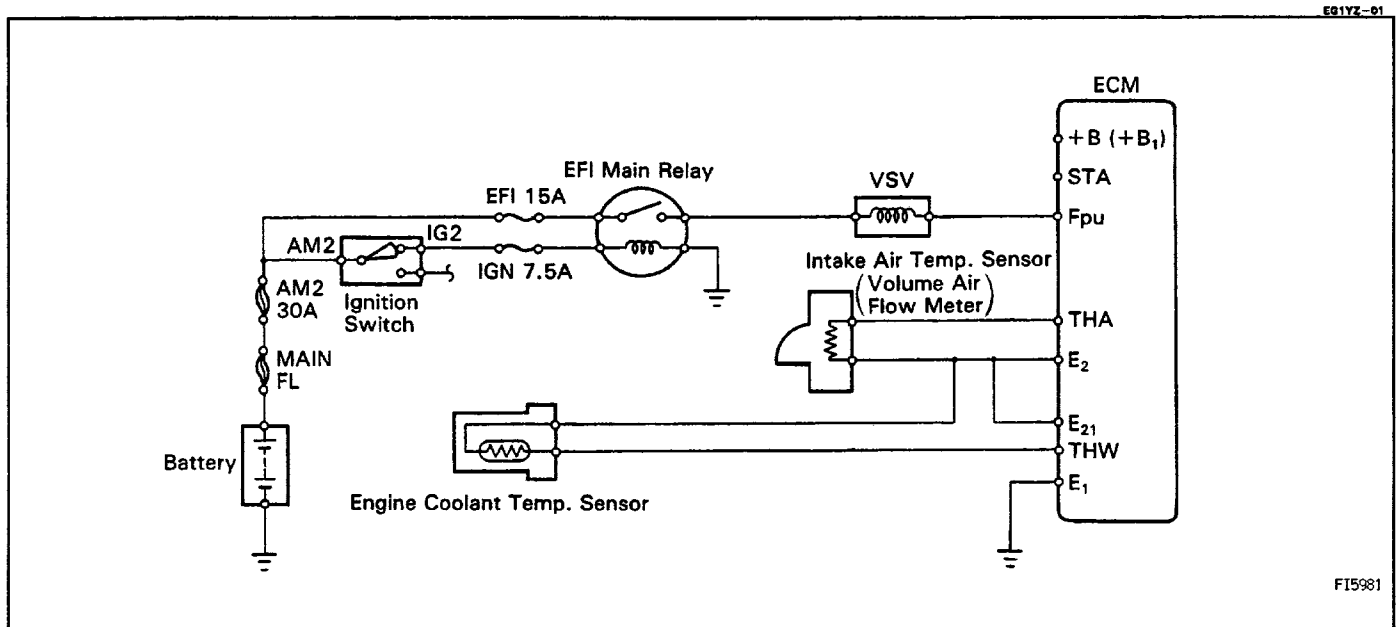


ENGINE COOLANT TEMPERATURE (ECT) SENSOR INSPECTION

- (a) Disconnect the connector.
- (b) Using an ohmmeter, measure the resistance between the terminals.

Resistance: Refer to the chart above.

FUEL PRESSURE CONTROL SYSTEM

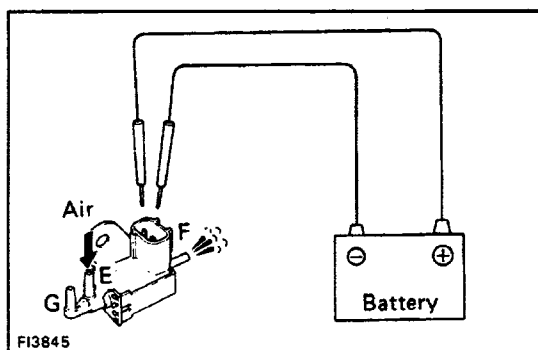


VSV INSPECTION

1. CHECK VACUUM CIRCUIT CONTINUITY IN VSV BY BLOWING AIR INTO PIPE

(a) Connect the VSV terminals to the battery terminals as illustrated.

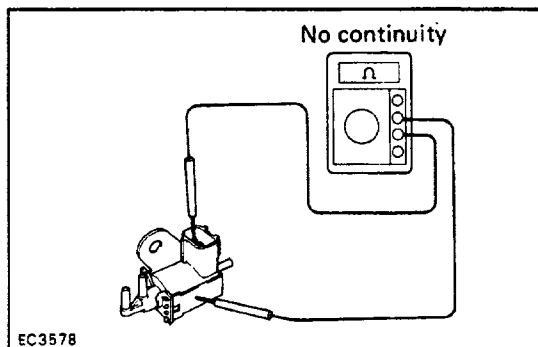
(b) Blow air into pipe E and check that air comes out of pipe G.



(c) Disconnect the battery.

(d) Blow air into pipe E and check that air comes out of pipe F.

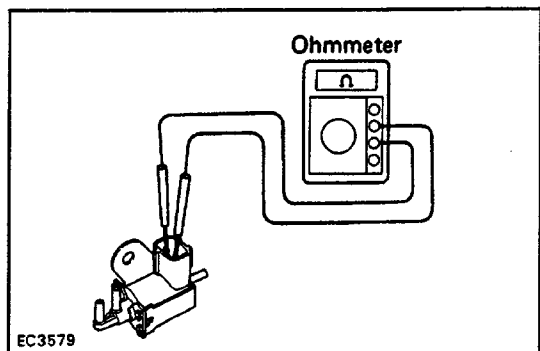
If a problem is found, repair or replace the VSV.



2. CHECK FOR SHORT CIRCUIT

Using an ohmmeter, check that there is no continuity between the terminal and the VSV body.

If there is continuity, replace the VSV.

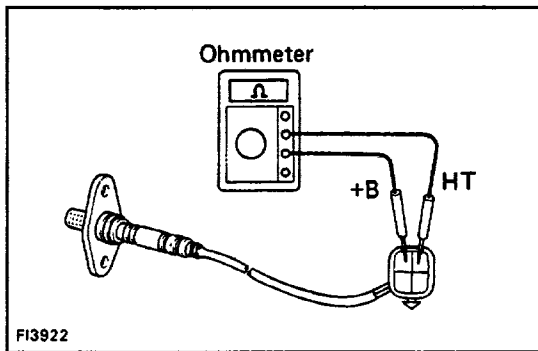


3. CHECK FOR OPEN CIRCUIT

Using an ohmmeter, measure the resistance between both terminals as illustrated.

Specified resistance: 30–50 Ω at 20°C (68° F)

If resistance is not within specification, replace the VSV.



OXYGEN SENSOR

OXYGEN SENSOR INSPECTION

1. INSPECT HEATER RESISTANCE OF OXYGEN SENSOR

Using an ohmmeter, measure the resistance between the terminals +B and HT.

Resistance: 5.1.–6.3 Ω at 20°C (68°F)

If the resistance is not as specified, replace the oxygen sensor.

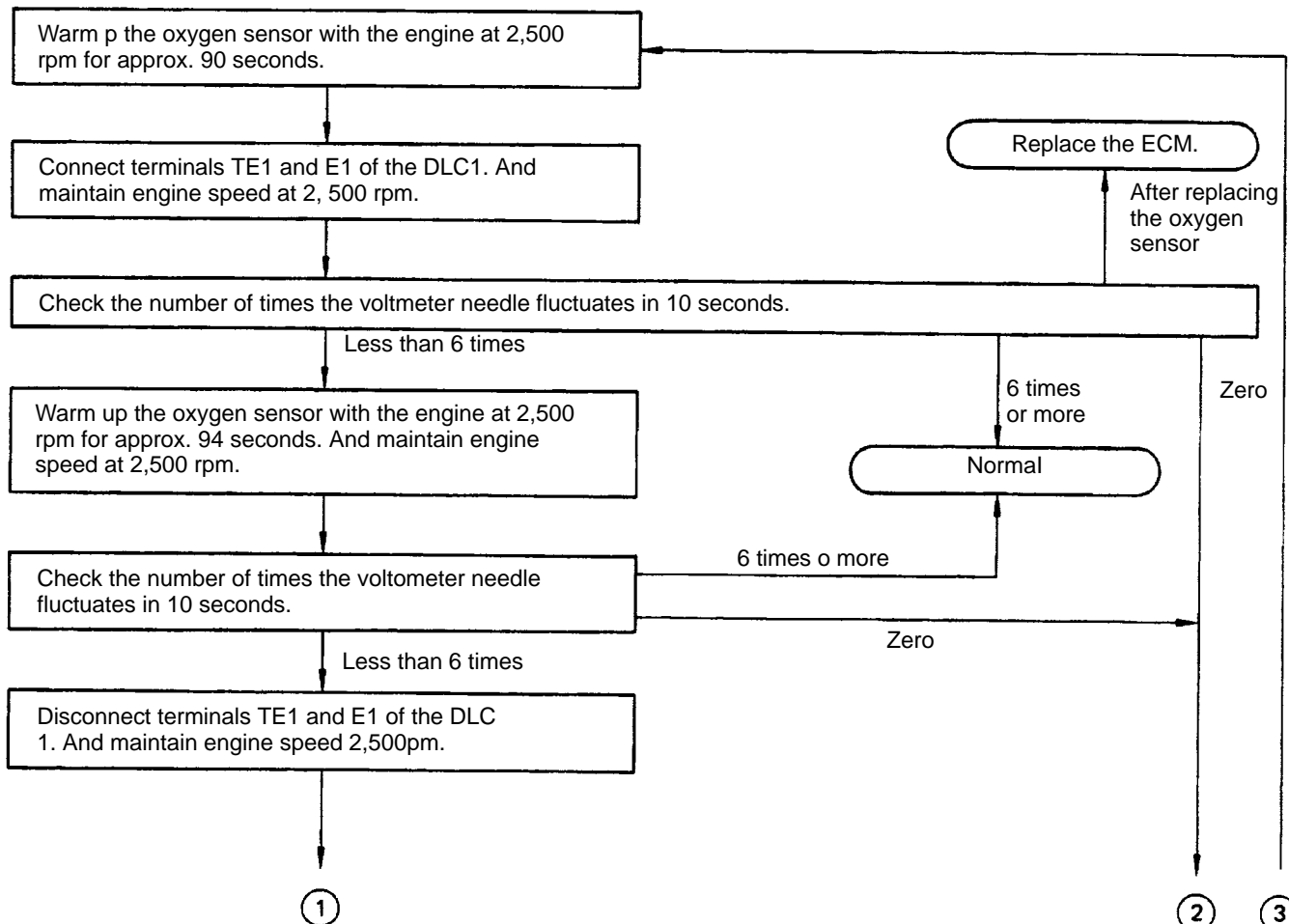
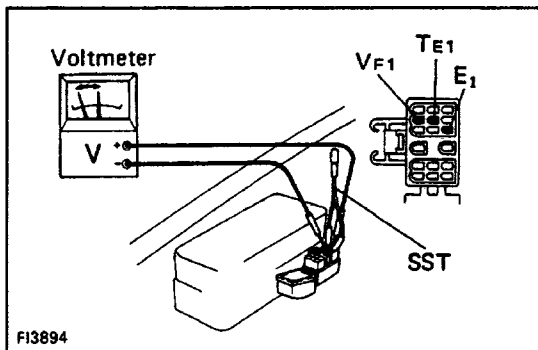
2. INSPECTION OF FEEDBACK VOLTAGE (VF1)

(a) Warm up the engine.

(b) Connect the voltmeter to the DLC1 terminals VF, and E1.

HINT: Use SST when connecting between terminals TE1 and E1 of the DLC1.

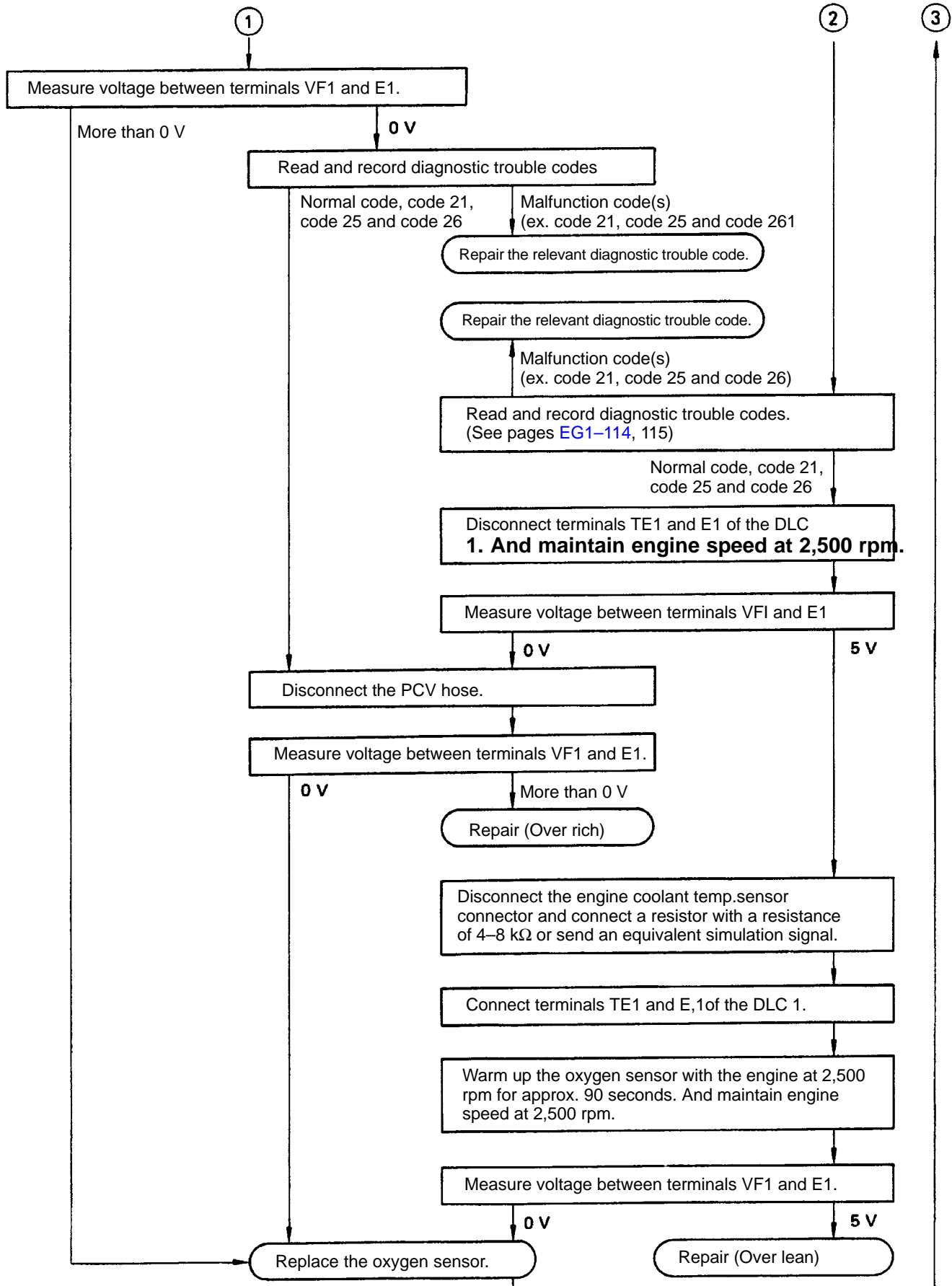
SST 09843-18020



CONTINUED ON PAGE

EG1-213

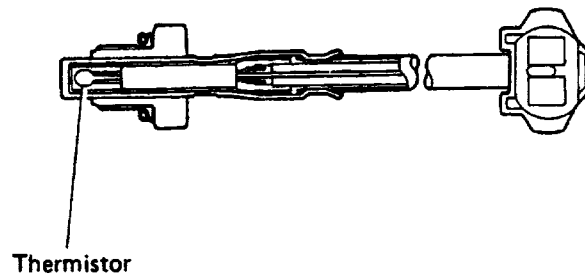
CONTINUED FROM PAGE EG1-212



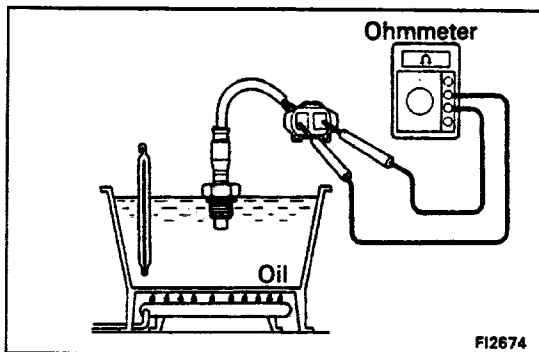
EGR GAS TEMPERATURE SENSOR

EG123-01

(California Vehicles only)



F12673



F12674

EGR GAS TEMP. SENSOR INSPECTION

EG123-01

MEASURE RESISTANCE OF EGR GAS TEMP. SENSOR

Using an ohmmeter, measure the resistance between both terminals.

Resistance:

69–89 k Ω at 50°C (122°F)

11–15 k Ω at 100°C (212°F)

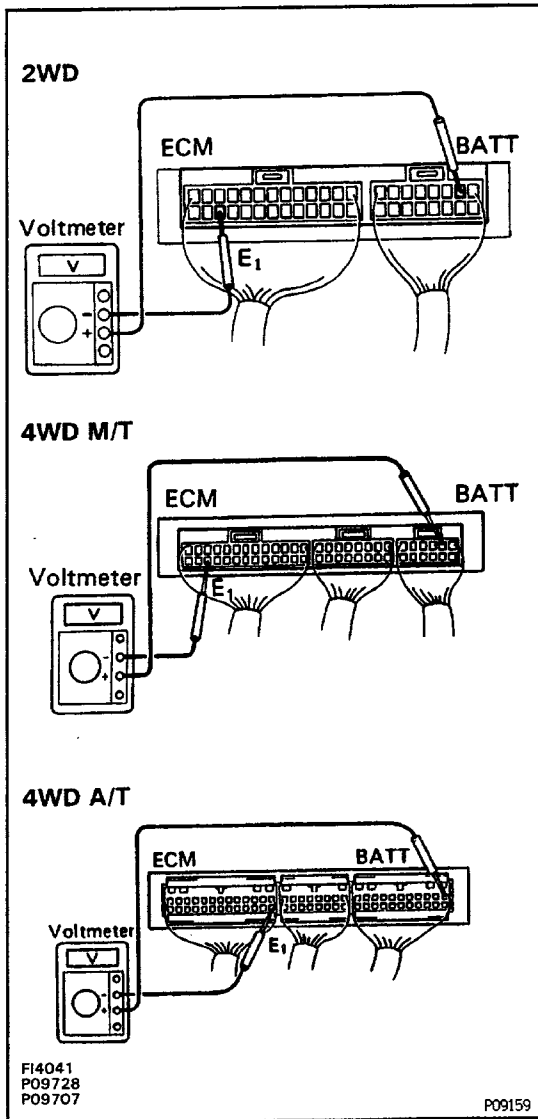
2–4 k Ω at 150°C (302°F)

If the resistance is not as specified, replace the sensor.

ENGINE CONTROL MODULE (ECM)

ECM INSPECTION

HINT: The MFI circuit can be checked by measuring the voltage and resistance at the wiring connectors of the ECM.



INSPECT VOLTAGE OF ECM

Check the voltage between each terminal of the wiring connectors.

- Turn the ignition switch ON.
- Measure the voltage at each terminal.

HINT:

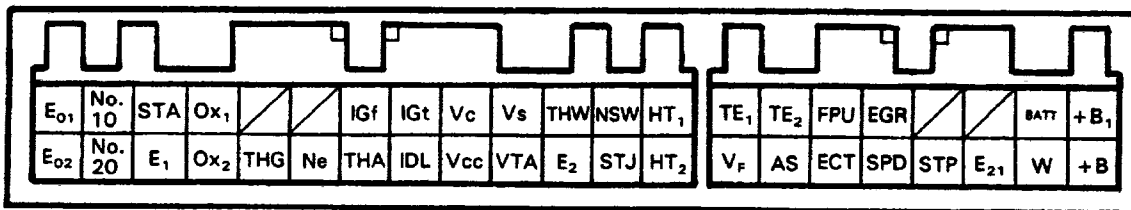
- Perform all voltage measurements with the connectors connected.
- Verify that the battery voltage is 11 V or more when the ignition switch is ON.

Voltage at ECM Wiring Connectors

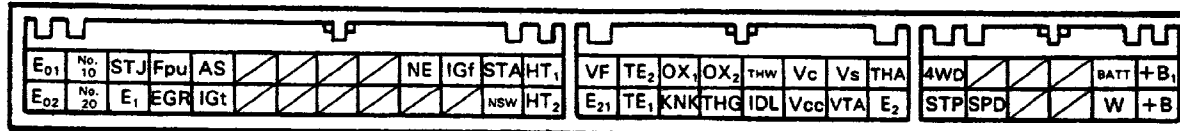
Terminals	Condition		STD voltage
BATT - E ₁	-		9 - 14
+B - E ₁	Ignition switch ON		
+B ₁ - E ₁			
IDL - E ₂ (E ₂₁)	Ignition switch ON	Throttle valve open	9 - 14
Vcc - E ₂ (E ₂₁)		-	4.5 - 5.5
VTA - E ₂ (E ₂₁)		Throttle valve fully closed	0.3 - 0.8
		Throttle valve fully open	3.2 - 4.9
Vc - E ₂ (E ₂₁)	Ignition switch ON	-	6 - 10
Vs - E ₂ (E ₂₁)		Measuring plate fully closed	0.5 - 2.5
		Measuring plate fully open	5 - 10
	Idling .		2 - 8
THA - E ₂ (E ₂₁)	Ignition switch ON	Intake air temperature 20°C (68°F)	0.5 - 3.4
THW - E ₂ (E ₂₁)	Ignition switch ON	Coolant temperature 80 °C (176° F)	0.2 - 1.0
STA - E ₁	Ignition switch START position		6 - 12
No. 10 - E ₀₁ No. 20 - E ₀₂	Ignition switch ON		9 - 14
IGt - E ₁	Idling		0.7 - 1.0
W - E ₁	No trouble (MIL off) and engine running		9 - 14
STJ - E ₁	Ignition switch START position	Coolant temperature 80°C (176°F)	6 - 12
STP - E ₁	Stop light switch ON		7.5 - 14

ECM Terminals

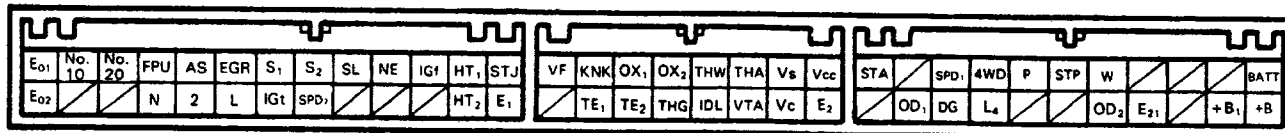
2WD



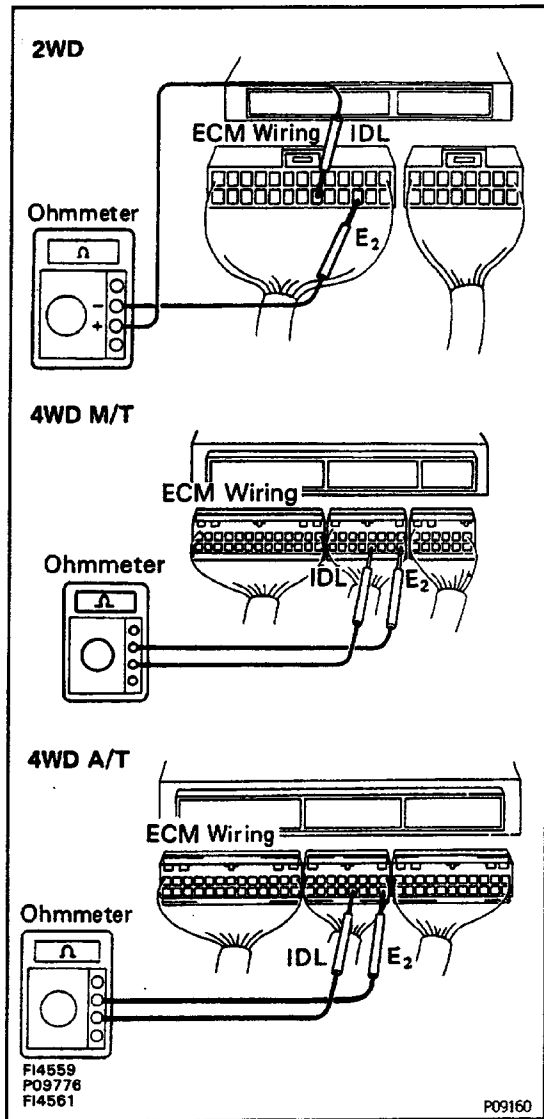
4WD M/T



4WD A/T



F14266
P09752
F12796



2. INSPECT RESISTANCE OF ECM

NOTICE:

- Do not touch the ECM terminals.
- The tester probe should be inserted into the wiring connector from the wiring side.

Check the resistance between each terminal of the wiring connectors.

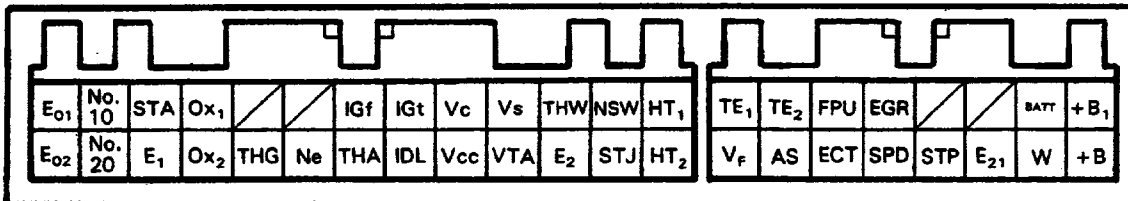
- Disconnect the connectors from the ECM.
- Measure the resistance at each terminal.

Resistance of ECM Wiring Connectors

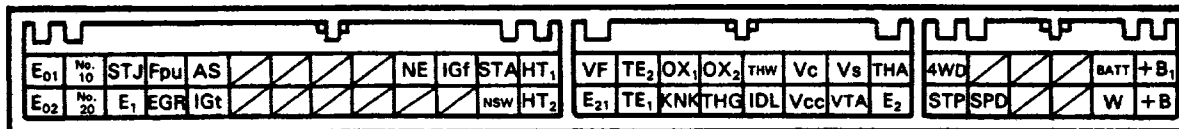
Terminals	Condition	Resistance 4kΩ1
IDL - E ₂ (E ₂₁)	Throttle valve open	Infinity
	Throttle valve fully closed	2.3 or less
VTA - E ₂ (E ₂₁)	Throttle valve fully open	3.1 - 12.1
	Throttle valve fully closed	0.47 - 6.1
Vcc - E ₂ (E ₂₁)	-	3.9 - 9.0
THA - E ₂ (E ₂₁)	Intake air temperature 20 °C (68 °F)	2 - 3
THW - E ₂ (E ₂₁)	Coolant temperature 80 °C (176 °F)	0.2 - 0.4
+B - E ₂ (E ₂₁)	-	0.2 - 0.4
Vc - E ₂ (E ₂₁)	-	0.1 - 0.3
Vs - E ₂ (E ₂₁)	Measuring plate fully closed	0.02 - 0.4
	Measuring plate fully open	0.02 - 1.00
Ne - E ₁	Cold	0.185 - 0.275
	Hot	0.240 - 0.325
STJ - E ₁	-	Infinity
FPU - E ₁	-	Infinity
HT ₁ - E ₁	-	Infinity

ECM Terminals

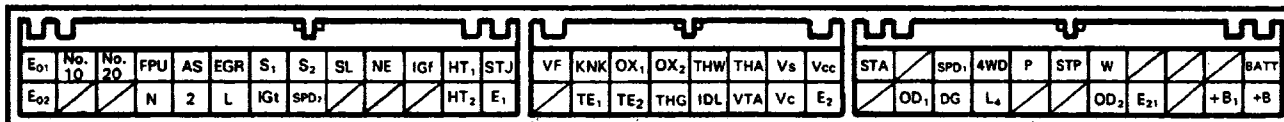
2WD

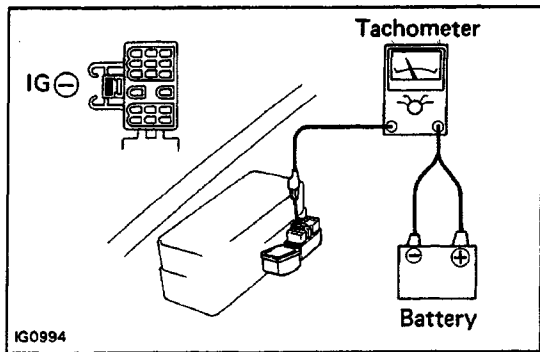


4WD M/T



4WD A/T





EG126-01

FUEL CUT RPM

FUEL CUT RPM INSPECTION

1. WARM UP ENGINE

Allow the engine to warm up to normal operating temperature.

2. CONNECT TACHOMETER

Connect the test probe of a tachometer to terminal IG (-) of the DLC1.

NOTICE

- Never allow the tachometer terminal to touch ground as it could result in damage to the igniter and/or ignition coil.
- As some tachometers are not compatible with this ignition system, we recommend that you confirm the compatibility of yours before use.

3. INSPECT FUEL CUT OPERATION

- Increase the engine speed to at least 2,500 rpm.
- Check for injector operating sound.
- Check that when the throttle lever is released, injector operation sound stops momentarily and then resumes.

HINT:

- The vehicle should be stopped.
- Accessories switched OFF.

2WD A/T (stop light switch ON)

Fuel cut rpm: 1,300 rpm

Fuel return rpm: 1,000 rpm

Others

Fuel cut rpm: 1,900 rpm

Fuel return rpm: 1,600 rpm

4. REMOVE TACHOMETER

SERVICE SPECIFICATIONS

SERVICE DATA

EG124-01

Pressure regulator	Fuel pressure at No vacuum	265 - 304 kPa 2.7 - 3.1 kgf/cm ² 38 - 44 psi	
Cold start injector	Resistance Fuel leakage	2 - 4 Ω One drop or less per minute	
Injector	Resistance Injection volume Difference between each injector Fuel leakage	13.4 - 14.2 Ω 45 - 55 cm ³ /15 sec. (2.7 - 3.4 cu in.) 6 cm ³ (0.37 cu in.) or less One drop or less per minute	
Volume Air Flow Meter	Resistance $E_2 - V_s$ $E_2 - V_c$ $E_2 - V_b$ $E_1 - F_c$ $E_2 - THA$	20 - 400 Ω (Measuring plate fully closed) 20 - 1,200 Ω (Measuring plate fully open) 100 - 300 Ω 200 - 400 Ω ∞ (Measuring plate fully closed) 0 Ω (Measuring plate open) 10 - 20 k Ω (-20°C, -4°F) 4 - 7 k Ω (0°C, 32°F) 2 - 3 k Ω (20°C, 68°F) 0.9 - 1.3 k Ω (40°C, 104°F) 0.4 - 0.7 k Ω (60°C, 140°F)	
Throttle body	Throttle valve fully closed angle	6°	
Throttle position sensor	Clearance between lever and stop screw	Between terminals	Resistance
	0 mm 0 in.	VTA - E ₂	0.47 - 6.1 k Ω
	0.57 mm 0.0224 in.	IDL - E ₂	2.3 k Ω or less
	0.85 mm 0.0335 in.	IDL - E ₂	Infinity
	Throttle valve fully open position	VTA - E ₂	3.1 - 12.1 k Ω
	-	Vcc - E ₂	3.9 - 9.0 k Ω
Start injector time switch	Resistance STA - STJ STA - Ground	30 - 50 Ω (below 10°C, 50°F) 65 - 90 Ω (above 30°C, 86°F) 30 - 90 Ω	
Engine coolant temp. sensor	Resistance	10 - 20 k Ω (-20°C, -4°F) 4 - 7 k Ω (0°C, 32°F) 2 - 3 k Ω (20°C, 68°F) 0.9 - 1.3 k Ω (40°C, 104°F) 0.4 - 0.7 k Ω (60°C, 140°F) 0.2 - 0.4 k Ω (80°C, 176°F)	
VSV (FPU)	Resistance at 20°C (68°F)	30 - 50 Ω	

Specifications (Cont'd)

Oxygen sensor heater	Resistance	at 20°C (68°F)	5.1 – 6.3 Ω	
EGR gas temp. sensor	Resistance		69 – 89 kΩ (50°C, 122°F) 11 – 15 kΩ (100°C, 212°F) 2 – 4 kΩ (150°C, 302°F)	
Fuel cut rpm	Fuel cut rpm	2WD A/T (stop light switch ON) Others	1,300 rpm 1,900 rpm	
	Fuel return rpm	2WD A/T (stop light switch ON) Others	1,000 rpm 1,600 rpm	
ECM (Voltage)	HINT:			
	<ul style="list-style-type: none"> Perform all voltage and resistance measurements with the ECM connected. Verify that the battery voltage is 11 V or above when the ignition switch is ON. The testing probes must not make contact with the ECM oxygen VF terminals. 			
	Terminals	STD voltage	Condition	
	BATT – E ₁	9 – 14	–	
	+B – E ₁		Ignition SW ON	
	+B ₁ – E ₁			
	IDL – E ₂ (E ₂₁)	9 – 14	Ignition SW ON	Throttle valve open
	Vcc – E ₂ (E ₂₁)	4.5 – 5.5		–
	VTA – E ₂ (E ₂₁)	0.3 – 0.8		Throttle valve fully closed
		3.2 – 4.9		Throttle valve fully open
	Vc – E ₂ (E ₂₁)	6 – 10	Ignition SW ON	–
	Vs – E ₂ (E ₂₁)	0.5 – 2.5		Measuring plate fully closed
		5 – 10		Measuring plate fully open
		2 – 8	Idling	
	THA – E ₂ (E ₂₁)	0.5 – 3.4	Ignition SW ON	Intake air temperature 20°C (68°F)
	THW – E ₂ (E ₂₁)	0.2 – 1.0		Coolant temperature 80°C (176°F)
	STA – E ₁	6 – 12	Ignition SW START position	
	No. 10 – E ₀₁ No. 20 – E ₀₂	9 – 14	Ignition SW ON	
	IGt – E ₁	0.7 – 1.0	Cranking or idling	
	W – E ₁	9 – 14	No trouble (MIL off) and engine running	
STJ – E ₁	6 – 12	Ignition SW START position	Coolant temperature 80°C (176°F)	
STP – E ₁	7.5 – 14	Stop light switch ON		

Specifications (Cont'd)

ECM (Resistance)	Terminals	Resistance (k Ω)	Condition
IDL - E ₂ (E ₂₁)		Infinity	Throttle valve open
		2.3 or less	Throttle valve fully closed
VTA - E ₂ (E ₂₁)		3.1 - 12.1	Throttle valve fully open
		0.47 - 6.1	Throttle valve fully closed
Vcc - E ₂ (E ₂₁)		3.9 - 9.0	—
THA - E ₂ (E ₂₁)		2 - 3	Intake air temperature 20 °C (68°F)
THW - E ₂ (E ₂₁)		0.2 - 0.4	Coolant temperature 80 °C (176°F)
+B - E ₂ (E ₂₁)		0.2 - 0.4	—
Vc - E ₂ (E ₂₁)		0.1 - 0.3	—
Vs - E ₂ (E ₂₁)		0.02 - 0.4	Measuring plate fully closed
		0.02 - 1.00	Measuring plate fully open
Ne - E ₁		0.185 - 0.275	Cold
		0.240 - 0.325	Hot
STJ - E ₁		Infinity	—
FPU - E ₁		Infinity	—
HT - E ₁		Infinity	—

V01955

TORQUE SPECIFICATIONS

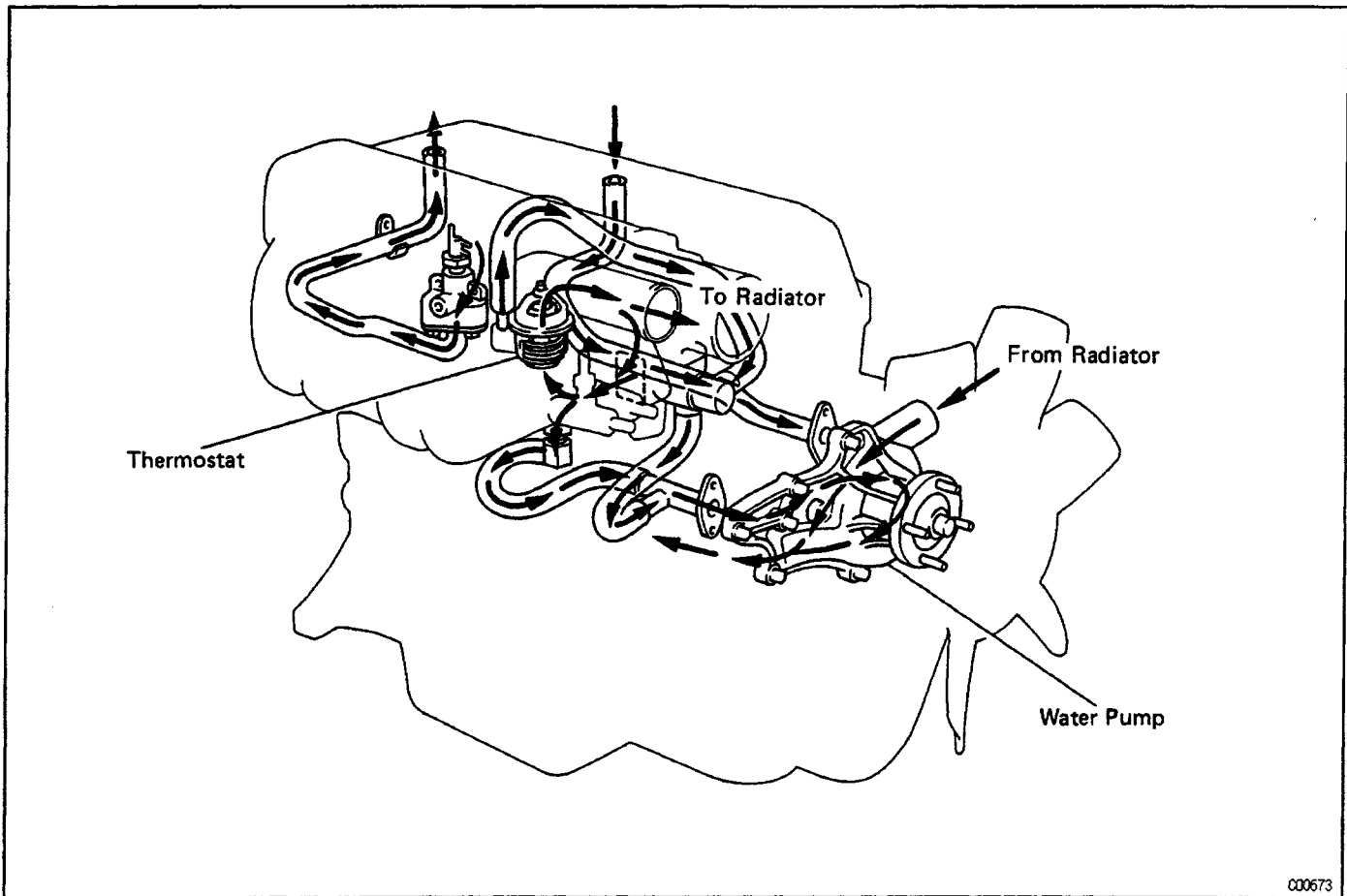
EG127-01

Part tightened	N·m	kgf·cm	ft·lbf
Fuel hose x Fuel filter	30	310	22
Fuel hose x Fuel main tube	30	310	22
Fuel filter x Fuel filter bracket	19	195	14
Delivery pipe x Pressure regulator	30	300	22
Delivery pipe x Intake manifold	19	195	14
Delivery pipe x Fuel tube	44	450	33
Delivery pipe x Fuel pipe	19	195	14
Fuel pipe x Cold start injector	19	195	14
Air intake chamber x Cold start injector	7.8	80	69 in·lbf
Air intake chamber x Throttle body	19	195	14
Fuel pump	3.9	40	35 in·lbf
Fuel drain plug	6.4	65	56 in·lbf
Fuel tank x Body	29	300	22

COOLING SYSTEM

DESCRIPTION

This engine utilizes a pressurized water faced circulation cooling system which includes a thermostat mounted on the outlet side.



RADIATOR CAP

The radiator cap is a pressure type cap which seals the radiator, resulting in pressurization of the radiator as the coolant expands. The pressurization prevents the coolant from boiling even when the coolant temperature exceeds 100°C (212°F). A relief valve (pressurization valve) and a vacuum valve (negative pressure valve) are built into the radiator cap. When the pressure generated inside the cooling system exceeds the limit (coolant temperature: 110–120°C (230–248°F) pressure: 58.8–103.0 kPa (0.6–1.05 kgf/cm², 8.5–14.9 psi) the relief valve is opened by the pressure and lets steam escape through pipe. The vacuum valve opens to allow atmospheric air to enter to alleviate the vacuum which develops in the cooling system after the engine is stopped and the coolant temperature drops.

RESERVOIR TANK

The reservoir tank is used to catch coolant which overflows the cooling system as a result of volumetric expansion when the coolant is heated. When the coolant temperature drops, the coolant in the reservoir tank returns to the radiator, thus keeping the radiator full at all times and

avoiding needless coolant loss. To find out if the coolant needs to be replenished, check the reservoir tank level.

WATER PUMP

The water pump is used for forced circulation of coolant through the cooling system. It is mounted on the front of the timing chain cover and driven by a V belt.


THERMOSTAT

The thermostat is a wax type and is mounted in the water outlet housing. The thermostat includes a type of automatic valve operated by fluctuations in the coolant temperature. When the coolant temperature drops, the valve closes, preventing the circulation of coolant through the engine and thus permitting the engine to warm up rapidly. When the coolant temperature has risen, the valve opens, allowing the coolant in the engine to circulate through the radiator. Wax inside the thermostat expands when heated and contracts when cooled. Heating the wax thus generates pressure which overpowers the force of the spring which keeps the valve closed, thus opening the valve. When the wax cools, its contraction causes the force of the spring to take effect once more, closing the valve. The thermostat in this engine operates at a temperature of 88°C (190°F).

PREPARATION

RECOMMENDED TOOLS

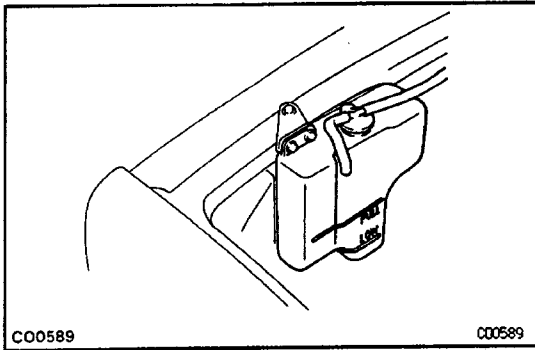
EG12V-08

	09082-00015 TOYOTA Electrical Tester	
---	--------------------------------------	--

EQUIPMENT

EG12W-03

Heater	
Radiator cap tester	
Thermometer	
Torque wrench	

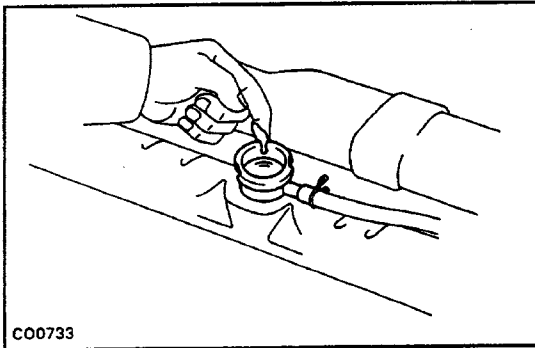


COOLANT CHECK AND REPLACEMENT

1. CHECK ENGINE COOLANT LEVEL IN RESERVOIR TANK

The coolant level should be between the "LOW" and "Full" lines.

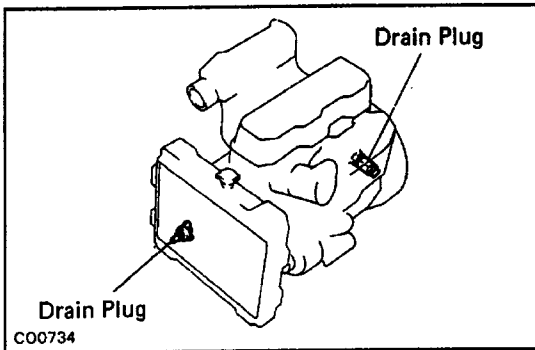
If low, check for leaks and add coolant up to the "FULL" line.



2. CHECK ENGINE COOLANT QUALITY

There should not be any excessive deposits of rust or scales around the radiator cap or radiator filler hole, and the coolant should be free from oil.

If excessively dirty, replace the coolant.



3. REPLACE ENGINE COOLANT

- Remove the radiator cap.
- Drain the coolant from the radiator and engine drain plugs.
- Close the drain cocks.
- Fill the system with coolant.

HINT:

- Use a good brand of ethylene-glycol base coolant, mixed according to the manufacturer's instructions.
- Using coolant which has more than 50% ethylene-glycol (but not more than 70 %) is recommended.

NOTICE:

- Do not use an alcohol type coolant.**
- The coolant should be mixed with demineralized water or distilled water.**

Coolant capacity (w/ heater or air conditioner):

Ex. 4WD A/T

8.4 liters (8.9 US qts, 7.4 Imp. qts)

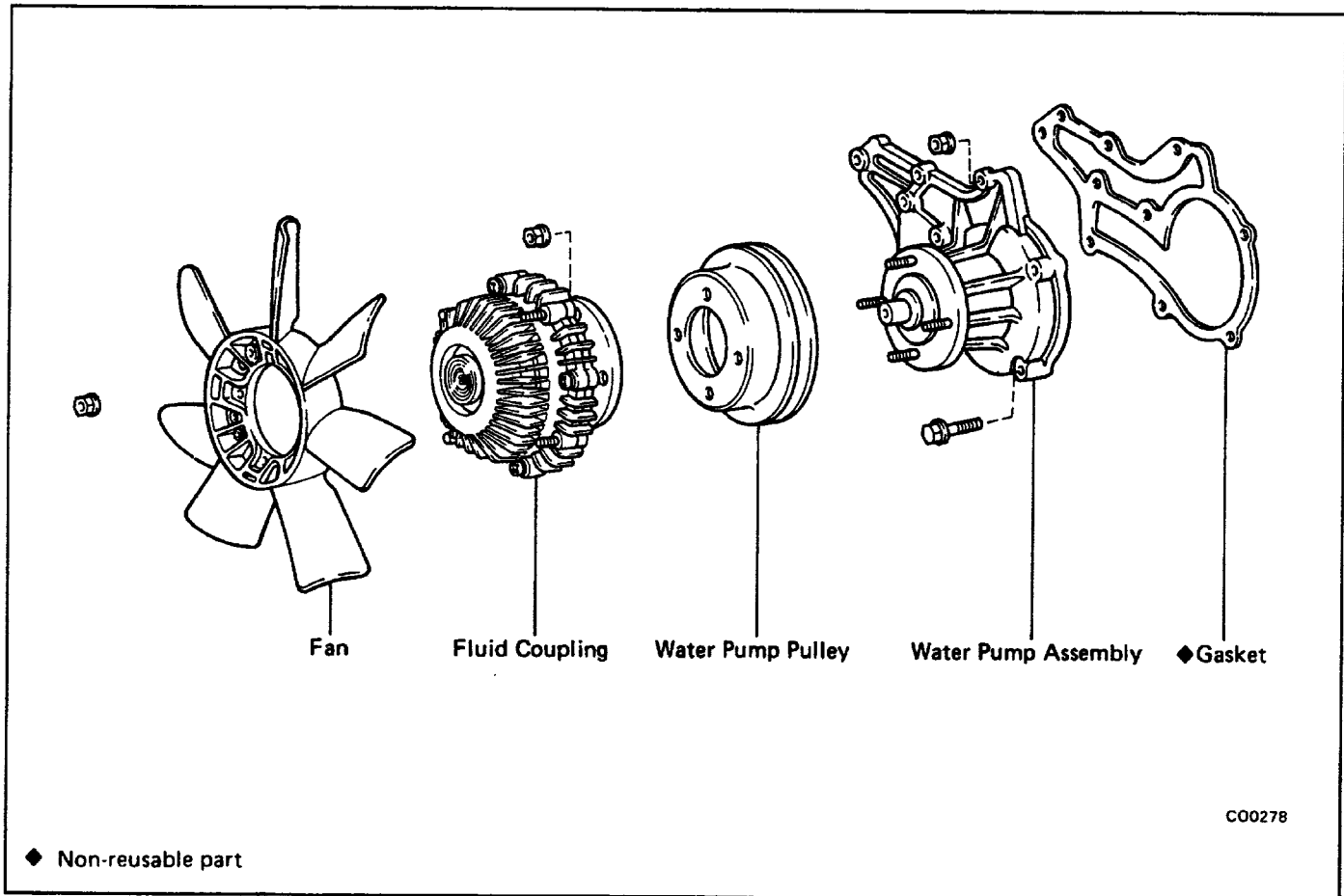
4WD A/T

9.1 liters (9.6 US qts, 8.0 Imp. qts)

- Install the radiator cap.
- Start the engine and check for leaks.
- Recheck the coolant level and refill as necessary.

WATER PUMP COMPONENTS

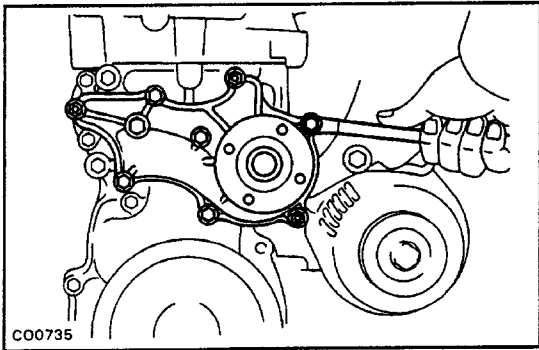
EG1U3-01



WATER PUMP REMOVAL

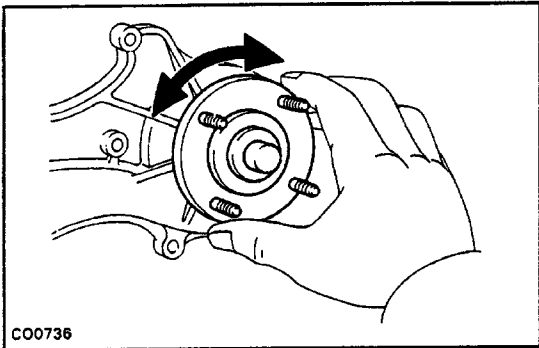
EG1U4-01

1. DRAIN COOLANT
(See step 3 on page [EG1-225](#))
2. (w/ PS)
REMOVE PS BELT
3. (with A/C)
REMOVE A/C BELT
4. REMOVE FLUID COUPLING WITH FAN AND
WATER PUMP PULLEY
(See step 3 on page [EG1-40](#))



5. REMOVE WATER PUMP

Remove the six bolts, three nuts, water pump and gasket.

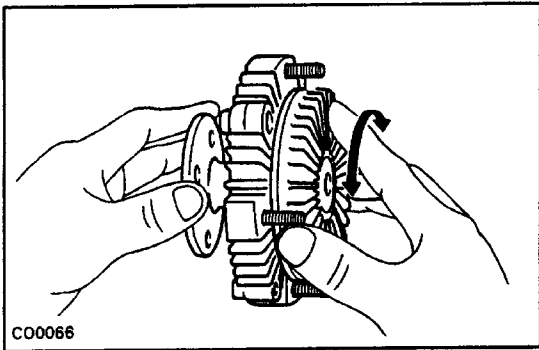


WATER PUMP INSPECTION

1. INSPECT WATER PUMP BEARING

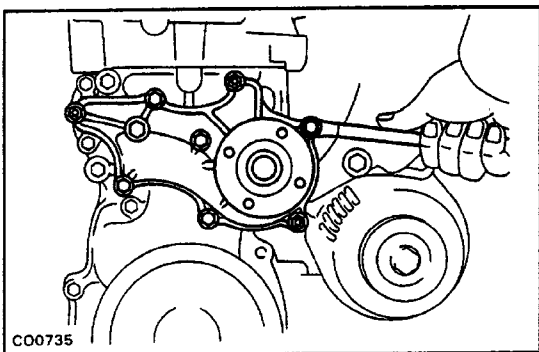
Check that the water pump bearing moves smoothly and quietly.

EG1U8-01



2. INSPECT FLUID COUPLING

Check the fluid coupling for damage and silicone oil leakage.



WATER PUMP INSTALLATION

(See page [EG1-226](#))

1. INSTALL WATER PUMP OVER NEW GASKET

Install the water pump and a new gasket with the six bolts and three nuts.

2. INSTALL WATER PUMP PULLEY AND FLUID COUPLING WITH FAN

(See page [MA-6](#) step 9 on page [EG1-44](#))

3. (with A/C)

INSTALL A/C BELT (See page [MA-6](#))

4. (w/ PS)

INSTALL PS BELT (See page [MA-6](#))

5. REFILL COOLANT

(See page [EG1-225](#))

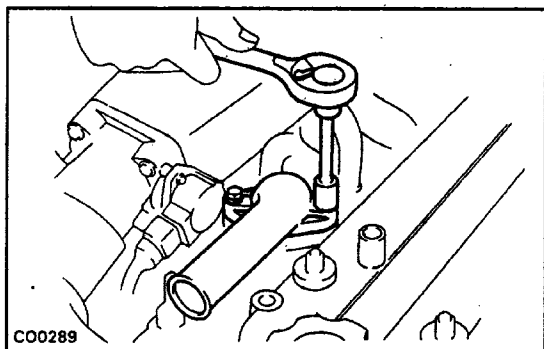
EG1U8-01

THERMOSTAT

EG1U7-01

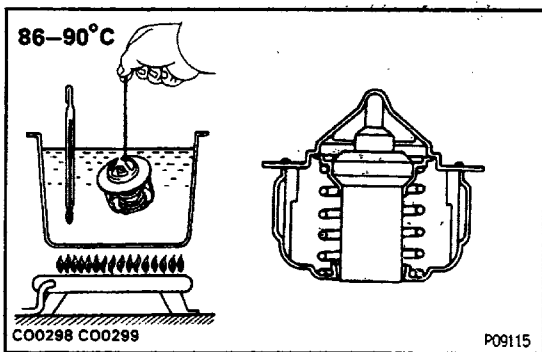
THERMOSTAT REMOVAL

1. DRAIN COOLANT
2. DISCONNECT FOLLOWING HOSES:
 - (a) Vacuum hoses
 - (b) PCV hose
 - (c) (with A/C) Idle-up hose



3. DISCONNECT RADIATOR INLET HOSE
4. REMOVE THERMOSTAT

- (a) Remove the two bolts and water outlet from the intake manifold.
- (b) Remove the thermostat with the gasket.
- (c) Remove the gasket from the thermostat.



THERMOSTAT INSPECTION

EG1U8-01

HINT: The thermostat is numbered according to the valve opening temperature.

- (a) Immerse the thermostat in water and heat the water gradually.
- (b) Check the valve opening temperature and valve lift.

Valve opening temperature:

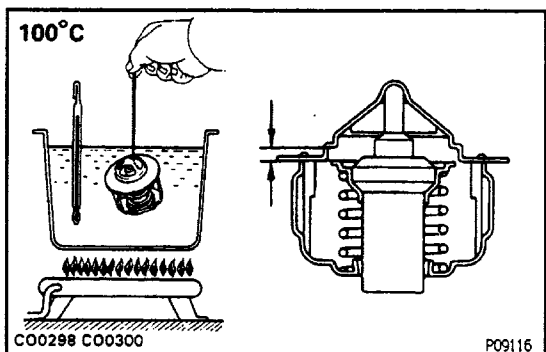
86-90°C (187-184°F)

Valve lift:

8 mm (0.31 in.) or more at 100°C (212°F)

If the valve opening temperature and valve lift are not within specifications, replace the thermostat.

- (c) Check that the valve spring is tight when the thermostat is fully closed, and replace if it is not tight.



THERMOSTAT INSTALLATION

EG1U9-01

1. PLACE THERMOSTAT IN INTAKE MANIFOLD

- (a) Place a new gasket to the thermostat.
- (b) Install the thermostat to the intake manifold.
- (c) Install the water outlet with the two bolts.

Torque: 19 N-m (195 kgf-cm, 14 ft-lbf)

2. CONNECT RADIATOR INLET HOSE
3. CONNECT FOLLOWING HOSES:

- (a) (with A/C)
- Idle-up hose
- (b) PCV hose
- (c) Vacuum hoses

4. FILL WITH ,COOLANT

5. START ENGINE AND CHECK FOR LEAKS

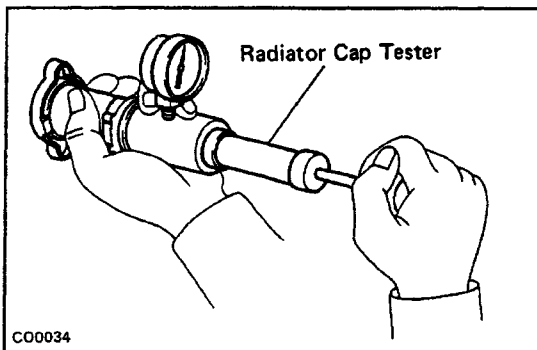
RADIATOR

EG1UA-01

RADIATOR CLEANING

Using water or a steam cleaner, remove mud and dirt from the radiator core.

NOTICE: If using a high-pressure type cleaner, be careful not to deform the fins of the radiator core. For example, keep a distance of more than 40–50 cm (15.75–19.69 in.) between the radiator core and cleaner nozzle when the cleaner nozzle pressure is 2.942–3.432 kPa (30–35 kgf/cm². 427–498 psi).



EG1UB-01

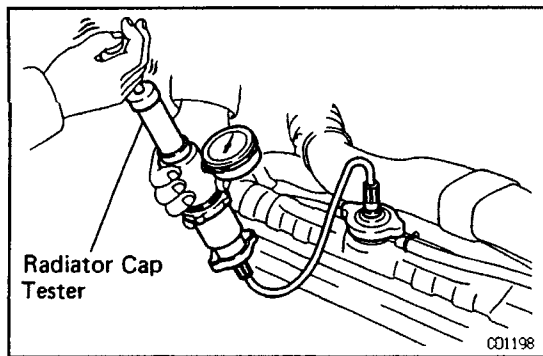
RADIATOR INSPECTION

1. CHECK RADIATOR CAP

Using radiator cap tester, pump the tester until relief valve opens. Check that the valve opens between 174 kPa (0.75 kgf/cm², 10.7 psi) and 103 kPa (1.05 kgf/cm², 14.9 psi).

Check that pressure gauge does not drop rapidly when pressure on cap is below 59 kPa (0.6 kgf/cm², 8.5 psi).

If either check is not within limit, replace the radiator cap.



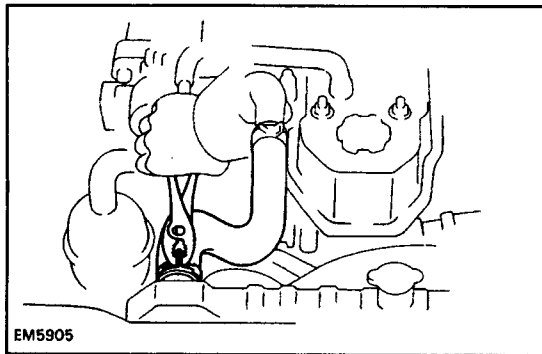
2. CHECK COOLING SYSTEM FOR LEAKS

- Fill the radiator with coolant and attach a radiator cap tester.
 - Warm up the engine.
 - Pump it to 118 kPa (1.2 kgf/cm², 17.1 psi), and check that the pressure does not drop.
- If the pressure drops, check for leaks from the hoses, radiator or water pump. If no external leaks are found, check the heater core, block and intake manifold.

RADIATOR REMOVAL

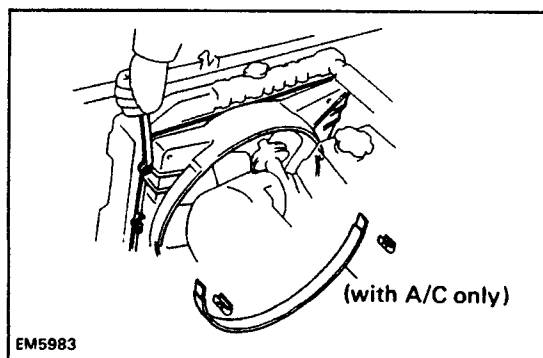
EG1UC-01

- DRAIN COOLANT
- REMOVE ENGINE UNDER COVER
- REMOVE AIR INTAKE CONNECTOR



4. REMOVE RADIATOR

- Disconnect the reservoir hose.
- Remove the radiator hoses.



(c) (with A/C)

Remove the No. 2 fan shroud.

(d) Remove the No. 1 fan shroud.

(e) (A/T)

Disconnect the oil cooler hoses.

HINT:

- Be careful as some oil will leak out. Catch it in a suitable container.
 - Plug the hose to prevent oil from escaping.
- (f) Remove the four bolts and radiator.

SERVICE SPECIFICATIONS

EG1UD-01

SERVICE DATA

Radiator	Relief valve opening pressure	STD Limit	74 - 103 kPa 0.75 - 1.05 kgf/cm ² 10.7 - 14.9 psi 59 kPa 0.6 kgf/cm ² 8.5 psi
Thermostat	Valve opening temperature Starts to open at Fully opens at Valve opening travel		88°C 190°F 100°C 212°F 8 mm 0.30 in.

EG1UE-01

TORQUE SPECIFICATIONS

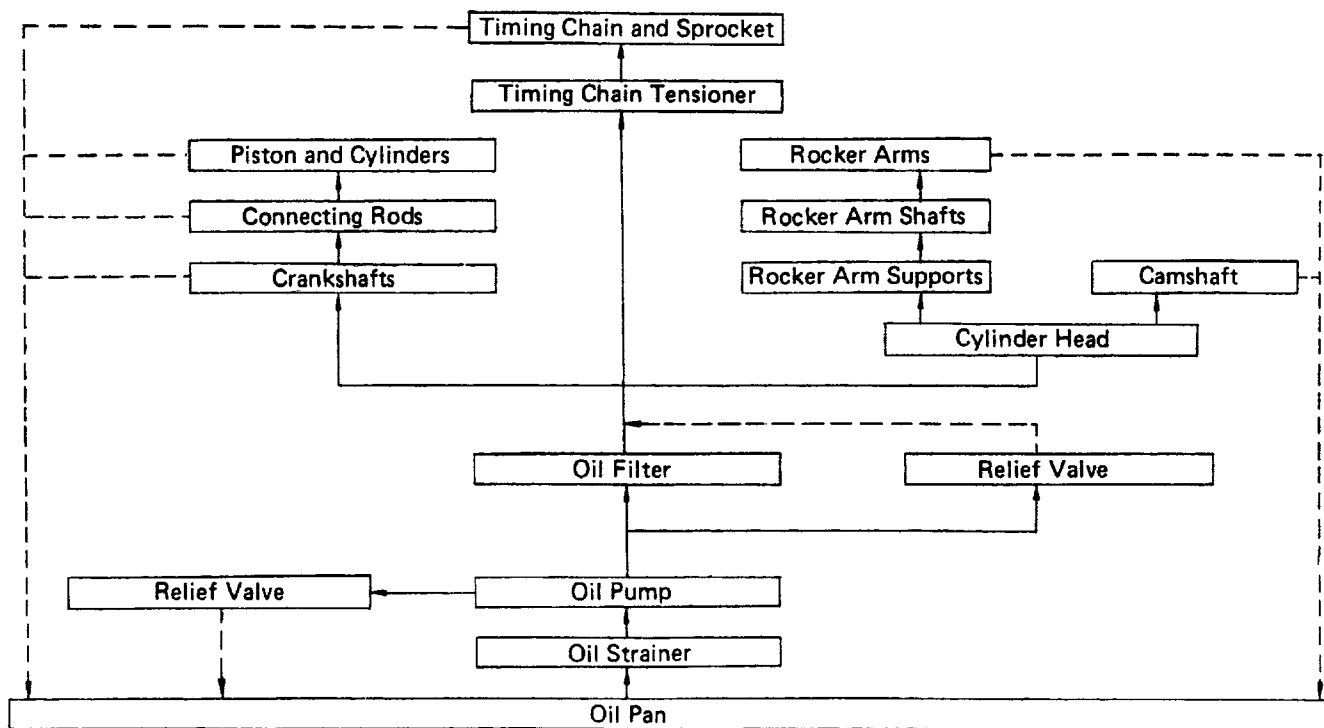
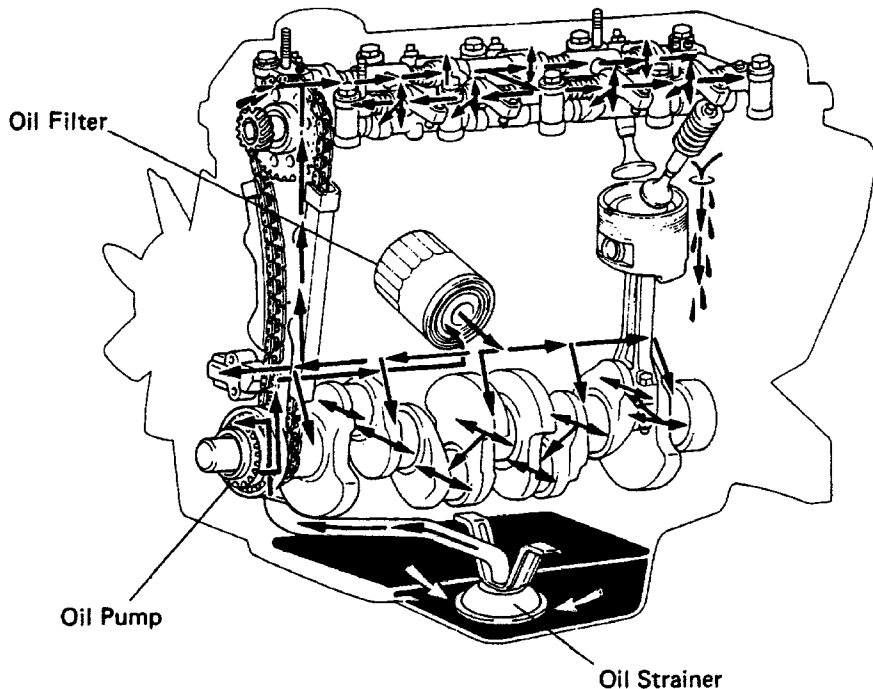
Part tightened	N·m	kgf·cm	ft·lbf
Water Outlet x Intake Manifold	13	130	9

LUBRICATION SYSTEM

DESCRIPTION

A fully pressurized, fully filtered lubrication system is used in this engine.

EG1UF-01



A pressure feeding lubrication system has been adopted to supply oil to the moving parts of this engine. The lubrication system consists of an oil pan, oil pump and oil filter, etc. The oil circuit is shown in the illustration at the top of the previous page. Oil—from the oil pan is pumped up by the oil pump. After it passes through the oil filter, it is fed through the various –oil holes in the crankshaft and cylinder block. After passing through the cylinder block and performing its lubricating function, the oil is returned by gravity to the oil pan. A dipstick on the side of the oil pump body is provided to check the oil level.

OIL PUMP

The oil pumps up oil from the oil pan and sends it under pressure to the various parts of the engine. An oil strainer is mounted in front of the inlet to the oil –pump to remove impurities. The oil pump itself is an internal gear pump, which uses a drive gear and driven gear inside the pump body. When the drive gear rotates, the driven gear rotates in the same direction. When both gears rotate, the space between the two gears changes. Oil is drawn in when this space widens, and is discharged when the space becomes narrow.

OIL PRESSURE REGULATOR (RELIEF VALVE)

At high engine speeds, the oil pump supplies more oil to each part than is necessary. For this reason, an oil pressure regulator which works to prevent an oversupply of oil is installed on the oil pump. During normal oil supply, a coil spring and valve keep the by–pass closed, but when too much oil is being supplied, the pressures become extremely high, overpowering the force of the spring and opening the valve. This allows the excess oil to flow through the relief valve and return to the oil pan.


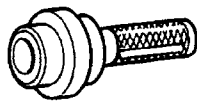

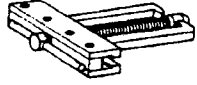
OIL FILTER

The oil filter is a full flow type with– a paper filter element and built–in relief valve. Particles of metal from wear, airborne dirt, carbon and other impurities can get in the oil during use and could cause accelerated wear or seizing if allowed to circulate through the engine. The oil filter, integrated into the oil line, removes these impurities as the oil passes through it. The filter is mounted outside the engine to simplify replacement of the filter element. A .relief valve is also included ahead of the filter element to relieve the high oil pressure in case the filter element becomes clogged with impurities. The relief valve opens when the oil pressure overpowers the force of the spring. Oil passing through the relief valve by–passes the oil filter and flows directly into the main oil hole in the engine.

PREPARATION




EG14U-06

SST (SPECIAL SERVICE TOOLS)

	09032-00100 Oil Pan Seal Cutter	
	09223-50010 Crankshaft Front oil Seal Replacer	Crankshaft front oil seal
	09228-07500 Oil Filter Wrench	
	09213-36020 Timing Gear Remover	

EG14V-06

RECOMMENDED TOOLS

	09090-04000 Engine Sting Device	For suspending engine
	09200-00010 Engine Adjust Kit	
	09905-00013 Snap Ring Pliers	

EG14W-06

EQUIPMENT

Oil pressure gauge	
Torque wrench	

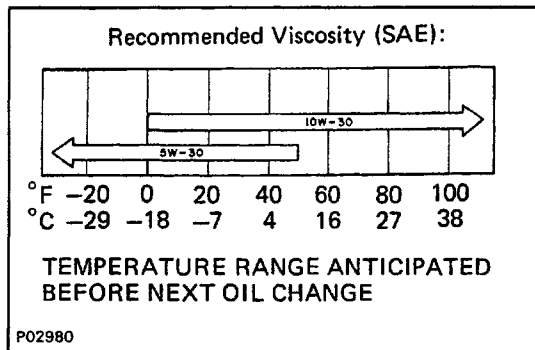
EG1UG-01

LUBRICANT

Item	Capacity			Classification
	Liters	US qts	Imp. qts	
Engine oil				API grade SG Energy-Conserving II multigrade and recommended viscosity oil
Drain and refill				
w/o Oil filter change	3.8	4.0	3.3	
w/Oil filter change	4.3	4.5	3.8	
Dry fill	4.8	5.1	4.2	

SSM (SPECIAL SERVICE MATERIALS)

08826-00080 Seal packing or equivalent	Oil pan
--	---------



OIL PRESSURE CHECK

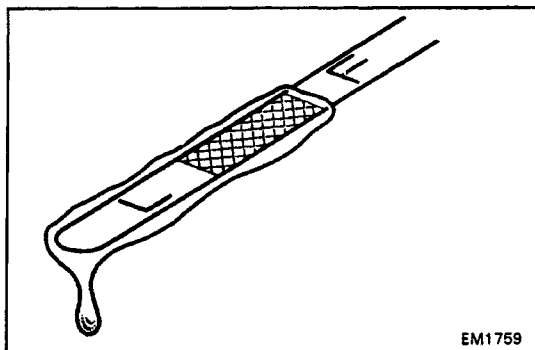
1. CHECK OIL QUALITY

EG1UH-01

Check the oil for deterioration, entry of water, discoloring or thinning.

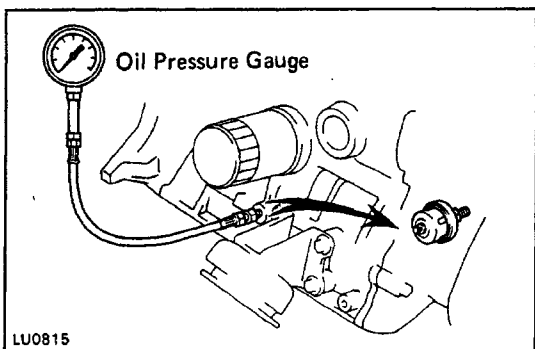
If oil quality is poor, replace.

Oil grade: API grade SG Energy-Conserving II multigrade engine oil. Recommended viscosity is as shown.



2. CHECK OIL LEVEL

The oil level should be between the "L" and "F" marks on the level gauge. If low, check for leakage and add oil up to the "F" mark.



3. REMOVE OIL PRESSURE SENDER GAUGE

4. INSTALL OIL PRESSURE GAUGE

5. START ENGINE

Start the engine and warm it up to normal operating temperature.

6. MEASURE OIL PRESSURE

Oil pressure:

At idle speed

29 kPa (0.3 kgf/cm², 4.3 psi) or more

At 3,000 rpm

245 - 490 kPa (2.5 - 5.0 kgf/cm², 36 - 71 psi)

HINT: Check for oil leakage after reinstalling the oil pressure sender gauge.

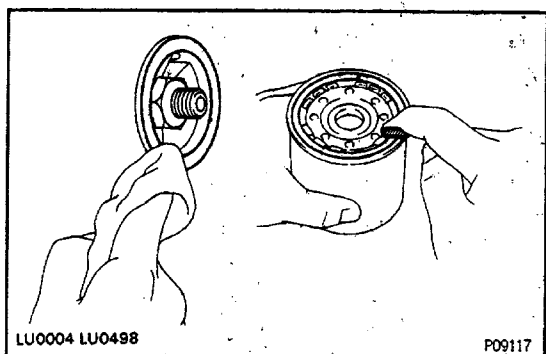
OIL AND FILTER REPLACEMENT

CAUTION:

- Prolonged and repeated contact with mineral oil will result in the removal of natural fats from the skin, leading to dryness, irritation and dermatitis. In addition, used engine oil contains potentially harmful contaminants which may cause skin cancer. Adequate means of skin protection and washing facilities should be provided.
- Care should be taken, therefore, when changing engine oil, to minimize the frequency and length of time your skin is exposed to used engine oil. Protective clothing and gloves, that cannot be penetrated by oil, should be worn. The skin should be thoroughly washed with soap and water, or use waterless hand cleaner, to remove any used engine oil. Do not use gasoline, thinners, or solvents.
- In order to preserve the environment, used oil and used oil filters must be disposed of only at designated disposal sites.

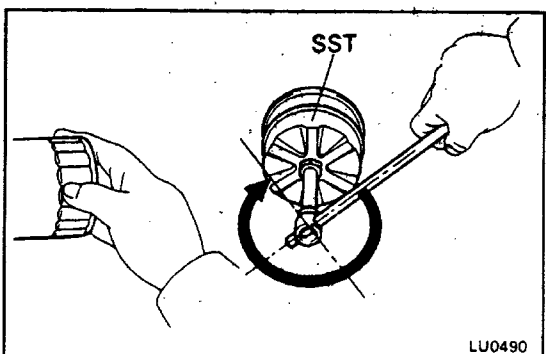
1. DRAIN ENGINE OIL

- Remove the oil filter cap.
- Remove the oil dipstick.
- Remove the oil drain plug and drain the oil into a container.



2. REPLACE OIL FILTER

- Using SST, remove the oil filter (located on right side of the engine block).
SST 09228-07500
- Clean the filter contact surface on the filter mounting.
- Lubricate the filter rubber gasket with engine oil.

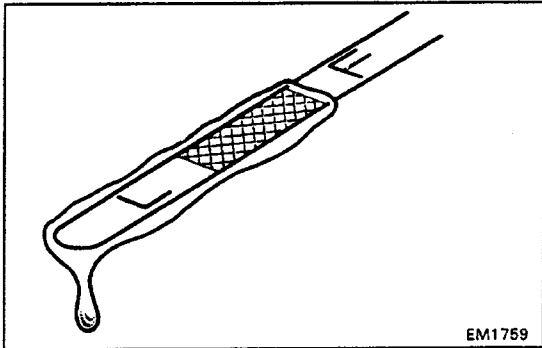


- Tighten the filter by hand until the gasket contacts the seat of the filter mounting. Then using SST, give it an additional 3/4 turn to seat the filter.

SST 09228-07500

3. FILL WITH ENGINE OIL

- Clean and install the oil drain plug with a new gasket.
- Fill the engine with new oil, API grade SG multigrade, fuel efficient and recommended viscosity oil.

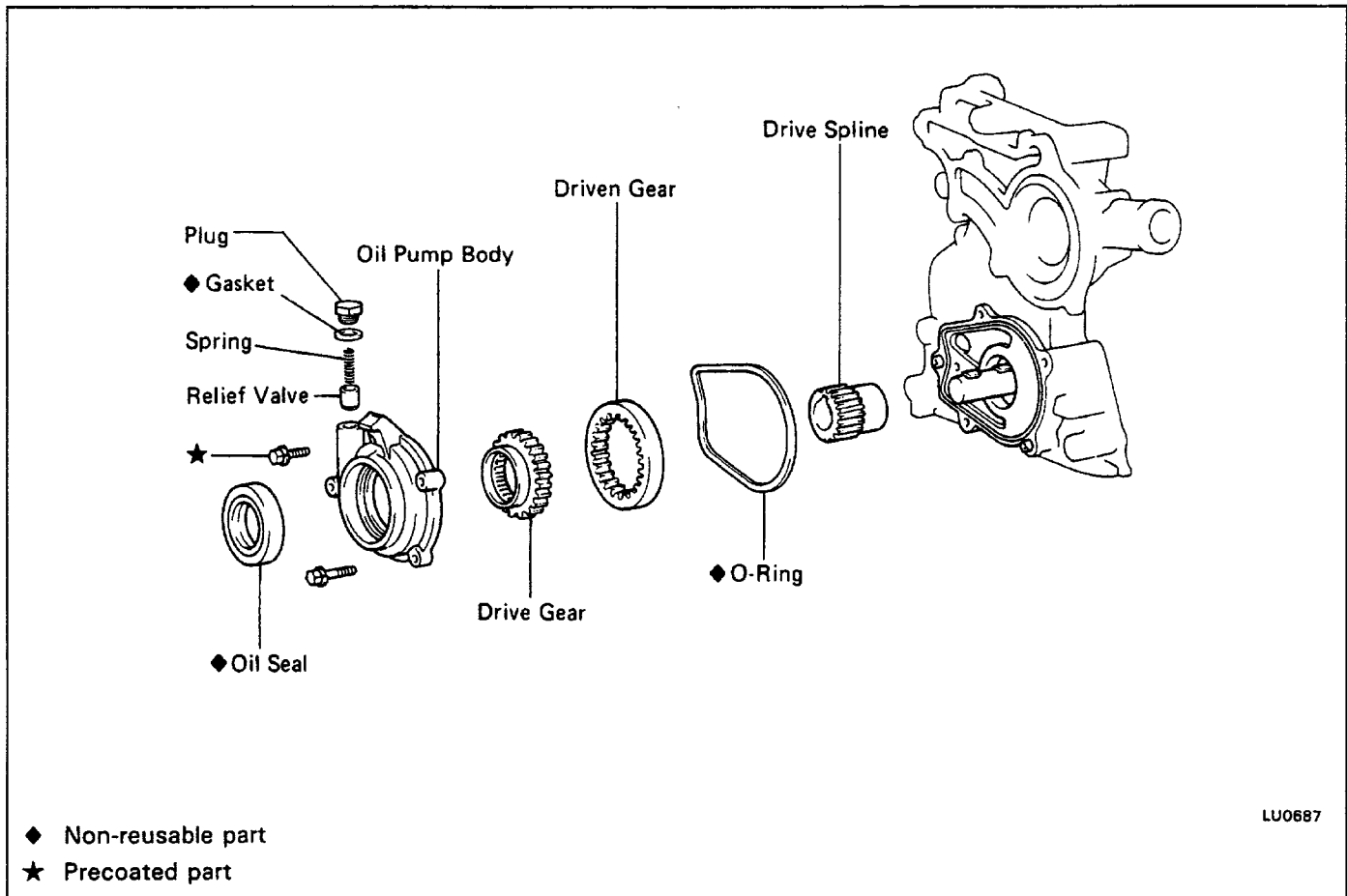
Oil capacity:**Drain and refill****w/o Oil filter change****3.8 liters (4.0 US qts, 3.3 Imp. qts)****w/ Oil filter change****4.3 liters (4.5 US qts, 3.8 Imp. qts)****Dry fill****4.8 liters (5.1 US qts, 4.2 Imp. qts)****4. START ENGINE AND CHECK FOR LEAKS****5. RECHECK ENGINE OIL LEVEL**

Recheck the engine oil level and refill as necessary.

HINT: Insert the oil dipstick with the curved tip pointed toward the engine.

OIL PUMP COMPONENTS

EG1UK-01



EG1UL-01

OIL PUMP REMOVAL

HINT: When repairing the oil pump, the oil pan and strainer should be removed and cleaned.

1. REMOVE OIL PAN

(See steps 3 and 4 on page [EG1-39](#))

2. REMOVE OIL STRAINER

Remove the four bolts holding the oil strainer.

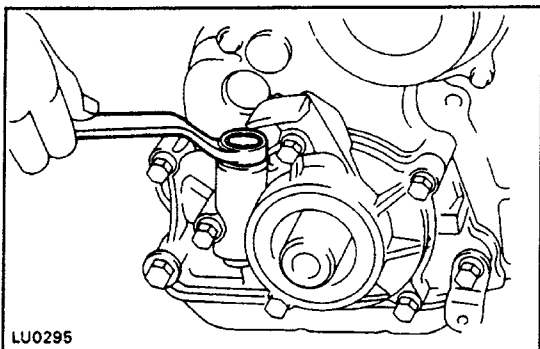
3. REMOVE DRIVE BELTS

4. REMOVE CRANKSHAFT PULLEY

(See steps 4 on page [EG1-40](#))

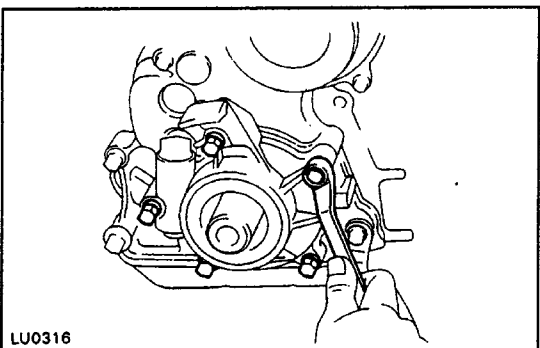
5. (with A/C)

REMOVE A/C COMPRESSOR AND BRACKET

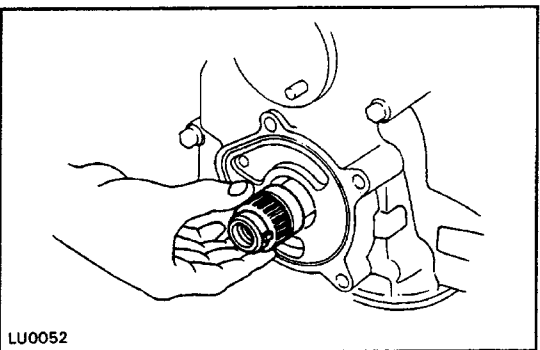


6. REMOVE OIL PUMP ASSEMBLY

(a) Loosen the oil pump relief valve plug.



(b) Remove the five bolts, the oil pump assembly and O-ring.

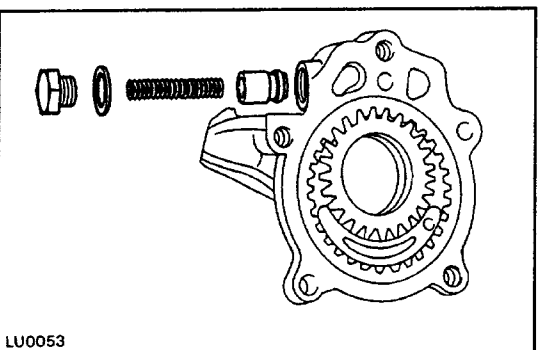


7. REMOVE OIL PUMP DRIVE SPLINE

HINT: If the oil pump drive spline cannot be removed by hand, use SST to remove the pump drive spline and crankshaft together.

(See page [EG1-42](#))

SST 09213-36020



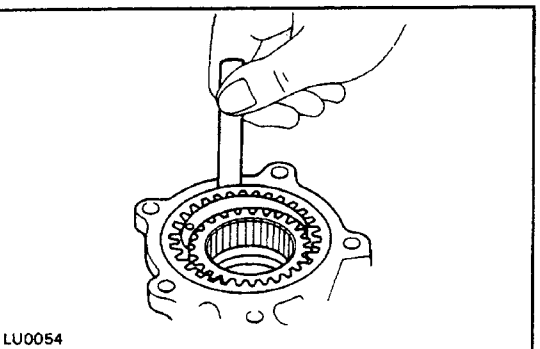
OIL PUMP DISASSEMBLY

1. REMOVE RELIEF VALVE

Unscrew the relief valve plug and gasket, and remove the spring and the relief valve.

2. REMOVE DRIVEN AND DRIVE GEARS

EG1UM-01



OIL PUMP INSPECTION

1. MEASURE BODY CLEARANCE

Using a thickness gauge, measure the clearance between the driven gear and body.

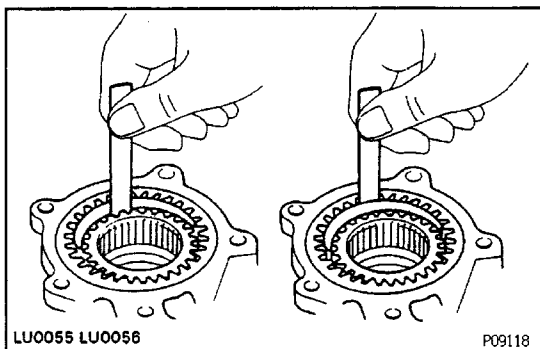
Standard clearance: 0.09–0.15 mm

(0.0035–0.0059 in.)

Maximum clearance: 0.2 mm (0.008 in.)

EG1UM-01

If the clearance is greater than maximum, replace the gear and/or body.



2. MEASURE TIP CLEARANCE

Using a thickness gauge, measure the clearance between both of the gear tips and crescent.

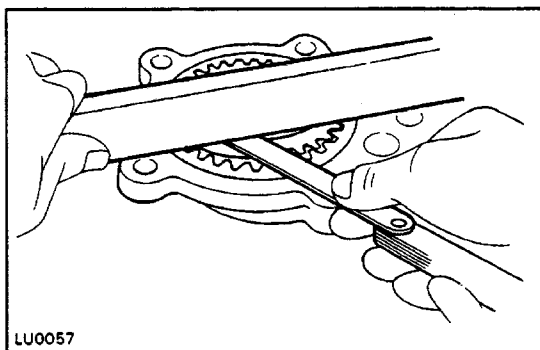
Standard clearance:

Driven 0.15–0.21 mm (0.0059–0.0083 in.)

Drive 0.22–0.25 mm (0.0087–0.0098 in.)

Maximum clearance: 0.3 mm (0.012 in.)

If the clearance is greater than maximum, replace the gears and/or body.



3. MEASURE SIDE CLEARANCE

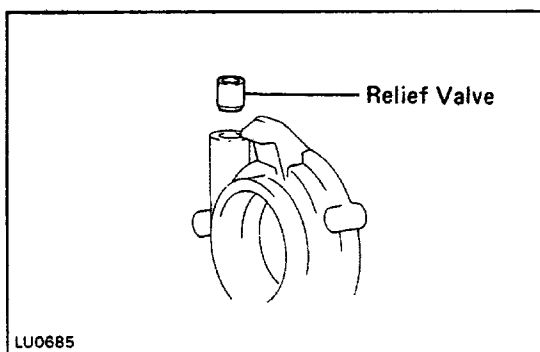
Using a thickness gauge and flat block, measure the side clearance as shown.

Standard clearance: 0.03–0.09 mm

(0.0012 – 0.0035 in.)

Maximum clearance: 0.15 mm (0.006 in.)

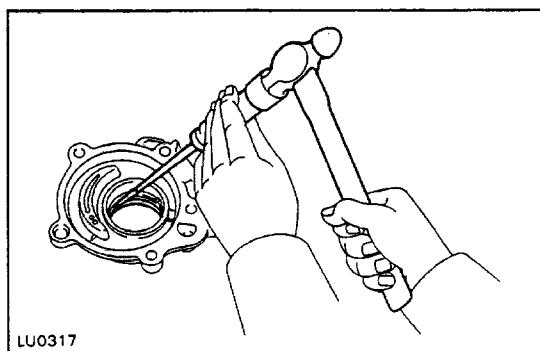
If the clearance is greater than maximum, replace the gears and/or body.



PRESSURE REGULATOR INSPECTION

Coat the valve piston with engine oil and check that it falls smoothly into the valve hole by its own weight.

If the valve does not fall smoothly, replace the valve and/or oil pump assembly.



FRONT OIL SEAL REPLACEMENT

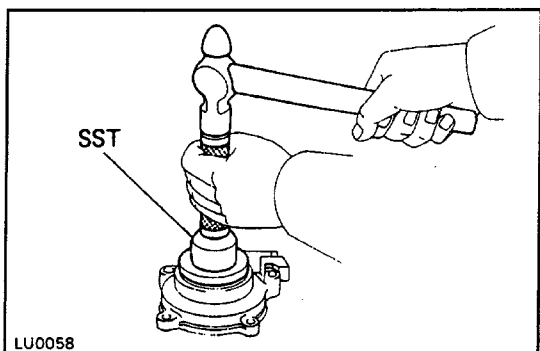
1. REMOVE OIL SEAL

(a) Remove the drive and driven gears.

(6) Using a screwdriver, remove the oil seal.

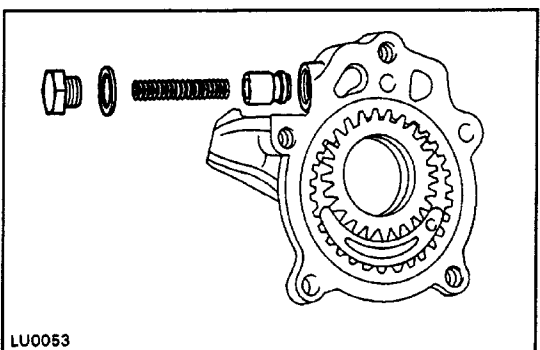
EG1UP-01

EG1UQ-01



2. INSTALL OIL SEAL

- Apply MP grease to a new oil seal lip.
- Using SST, drive in the new oil seal.
SST 09223-50010

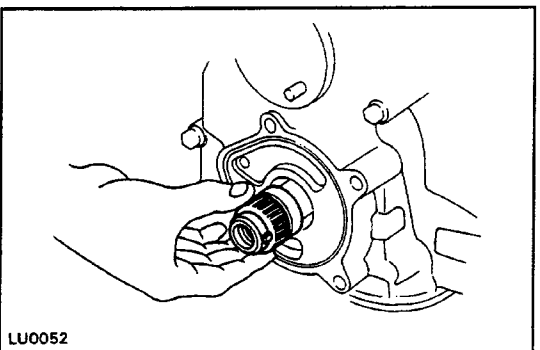


OIL PUMP ASSEMBLY.

(See page [EG1-238](#))

- Install the relief valve and spring in the body, and screw on the relief valve plug with a new gasket.
- Insert the drive and driven gears into the pump body.

EG1UR-01



OIL PUMP INSTALLATION

(See page [EG1-238](#))

1. INSTALL OIL PUMP DRIVE SPLINE AND O-RING

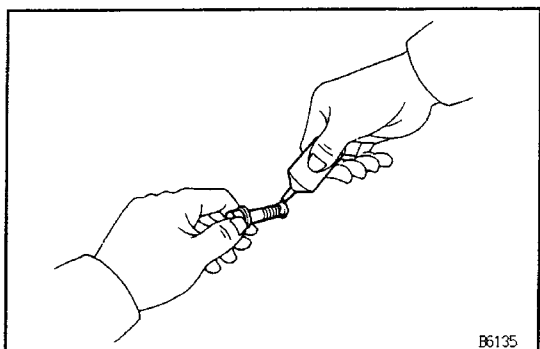
- Slide the pump drive spline onto the crankshaft.
HINT: If the oil pump drive spline cannot be installed by hand, use SST. (See page [EG1-43](#))
- Place the O-ring into the groove.

EG1UR-01

2. INSTALL OIL PUMP

- Clean the threads of the upper set bolt and timing chain cover bolt hole of any sealer, oil or foreign particles.

Remove any oil with kerosene or gasoline.

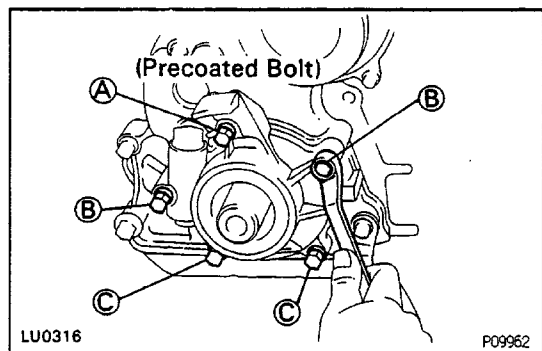


- Apply sealant to 2 or 3 threads of the bolt end.

Sealant: Part No. 08833-00070, THREE BOND 1324 or equivalent

HINT: This adhesive will not harden while exposed to air. It will act as a sealant or binding agent only when applied to threads, etc. and air is cut off.

B6135



(c) Torque the five bolts.

Torque: (A) 25 N-m (250 kgf-cm, 18 ft-lbf)

(B) 19 N-m (195 kgf-cm, 14 ft-lbf)

(C) 13 N-m (130 kgf-cm, 9 ft-lbf)

(d) Torque the relief valve plug.

Torque: 37 N-m (375 kgf-cm, 27 ft-lbf)

3. INSTALL CRANKSHAFT PULLEY

(See step 8 on page [EG1-44](#))

4. INSTALL AND ADJUST DRIVE BELT

(See page [MA-6](#))

5. INSTALL OIL STRAINER

(See step 2 on page [EG1-70](#))

6. INSTALL OIL PAN

(See step 13 on page [EG1-44](#))

SERVICE SPECIFICATIONS

EG1UT-01

SERVICE DATA

Oil pressure (normal operating temperature) at Idle speed at 3,000 rpm			29 kPa (0.3 kgf/cm ² , 4.3 psi) or more 245 - 490 kPa 2.5 - 5.0 kgf/cm ² 36 - 71 psi		
Oil pump	Body clearance	STD	0.09 - 0.15 mm	0.0035 - 0.0059 in.	
		Limit	0.2 mm	0.008 in.	
	Drive gear to crescent	STD	0.15 - 0.21 mm	0.0059 - 0.0083 in.	
		Limit	0.3 mm	0.012 in.	
	Drive gear to crescent	STD	0.22 - 0.25 mm	0.0087 - 0.0098 in.	
		Limit	0.3 mm	0.012 in.	
Side clearance	STD	0.03 - 0.09 mm	0.0012 - 0.0035 in.		
	Limit	0.15 mm	0.0059 in.		
Relief valve operating pressure			441 kPa	4.5 kgf/cm ²	64 psi

V01957

TORQUE SPECIFICATIONS

EG1UU-01

Part tightened	N·m	kgf·cm	ft·lbf
Cylinder Block x Rear Oil Seal Retainer	18	180	13
Cylinder Block x Oil Cooler Relief Valve	69	700	51
Cylinder Block x Oil Strainer	13	130	9
Cylinder Block x Oil Pan	13	130	9
Oil pan x Drain Plug	25	250	18

3VZ-E ENGINE

ENGINE MECHANICAL

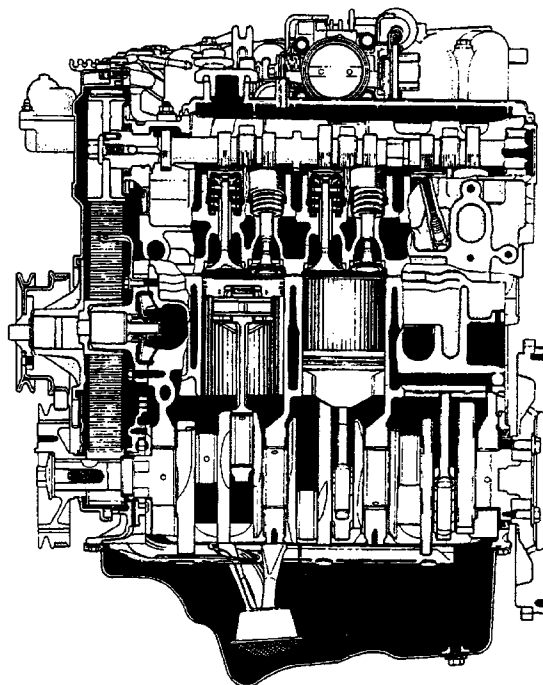
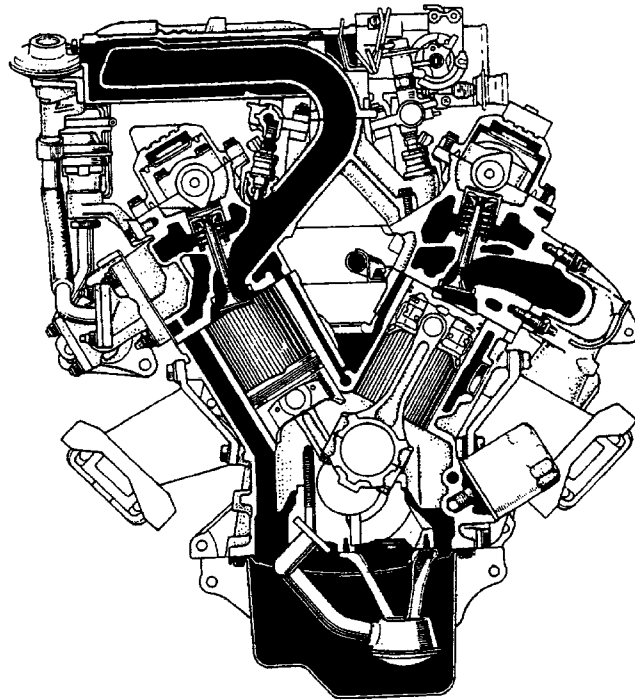
DESCRIPTION

The 3VZ-E engine is a V-6 3.0 liter OHC 12-valve engine.

EG128-01

OPERATION

EG0AX-06



The 3VZ-E engine has 6-cylinders in a V arrangement at a bank angle of 60°. From the front of the right bank the cylinders are numbered 1 – 3 – 5, and from the front of the left bank the cylinders are numbered 2 – 4 – 6.

The crankshaft is supported by 4 bearings inside the crankcase. The bearings are made of aluminum alloy.

The crankshaft is integrated with 5 weights which are cast with it for balance. There are oil holes in the center of the crankshaft to supply oil to the connecting rods and bearings, etc.

The firing order is 1 – 2 – 3 – 4 – 5 – 6. The cylinder head is made of aluminum alloy, with a cross flow type intake and exhaust layout, and semi-heron type combustion chambers.

At the front and rear of the intake port of the intake manifold, a water passage has been provided which connects the left and right cylinder heads.

Each intake exhaust valve is equipped with irregular pitch springs made of special valve spring carbon steel which are capable of following no matter what the engine speed.

The left and right camshafts are driven by a single timing belt. The cam journal is supported at 5 places, between the valve lifters of each cylinder and on the front end of the cylinder head.

The cam journal and the cam are lubricated by oil supplied through the oiler port in the center of the camshaft.

Adjustment of the valve clearance is done by means of an outer shim type system with the valve adjusting shims located above the valve lifters so that the shims can be replaced without removing the camshafts.

The timing belt cover is composed of the resin type No.1 and No.2 above and below the fan bracket, and the No.3 and No.4, which are made of steel sheet to make removal of the intake manifold easier.

The pistons are made of high temperature resistant aluminum alloy, and the piston head is concaved to prevent interference with the valves.

The piston pins are the semi-floating type, with the connecting rods and pins pressure fitted so that the piston and pin float.

The No. 1 compression ring is made of stainless steel and the No.2 compression ring is made of cast iron. The oil ring is made of a combination of steel and stainless steel. The outer diameter of each piston ring is slightly larger than the diameter of the piston, and when the piston ring is attached to the cylinder, the expansion of the piston ring produces a close fit with the cylinder walls.

The No.1 and No.2 compression rings work to prevent gas leakage, and the oil ring works to scrape oil off the cylinders and prevent it from entering the combustion chambers.

The cylinder block is made of cast iron with a bank angle of 60°. It has 6 cylinders which are approximately twice the length of the piston stroke. The top of each cylinder is closed off by the cylinder head and the lower end becomes the crankcase where the crankshaft is installed. In addition, the cylinder block contains a water jacket to cool the cylinders.


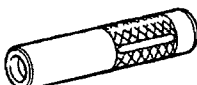

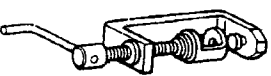
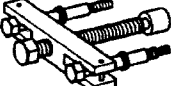
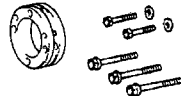




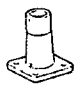

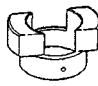
The oil pan is bolted onto the bottom of the cylinder block. The oil pan is an oil reservoir made of pressed steel sheet. A baffle plate has been installed between the oil pan and cylinder block to reduce oil stir from the crankshaft and connecting rod.



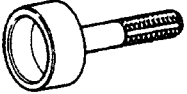



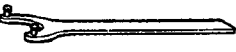



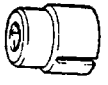

Plastic region tighten bolts are used for the cylinder head, main bearing cap and connecting rod.

PREPARATION

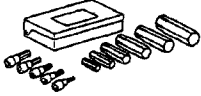




EG1DM-03

SST (SPECIAL SERVICE TOOLS)

	<p>09032-00100 Oil Pan Sea! Cutter</p>	<p>Oil pan Oil pan baffle plate</p>
	<p>09201-41020 Valve Stem Oil Seal Replacer</p>	
	<p>09201-60011 Valve Guide Bushing Remover & Replacer</p>	
	<p>09202-43013 Valve Spring Compressor</p>	
	<p>09213-31021 Crankshaft Pulley Puller</p>	
	<p>09213-5\$012 Crankshaft Pulley Holding Tool</p>	
	<p>(90201-08131) Washer</p>	
	<p>(91111-50845) Bolt</p>	
	<p>09214-60010 Crankshaft Pulley & Gear Replacer</p>	<p>Crankshaft timing pulley Camshaft oil seal</p>
   	<p>09221-25024 Piston Pin Remover & Replacer</p> <p>(09221-00020) Body</p> <p>(09221 -00030) Spring</p> <p>(09221-00181) B</p>	

	(09221-00190) Guide "K"	
 I01725	(09221-00200) Guide "L"	
	09223-56010 Crankshaft Rear Oil Seal Replacer	
	09248-55020 Valve Clearance Adjust Tool Set	
	(09248-05011) Valve Lifter Press	
	(09248-05021) Valve Lifter Stopper	
	09278-54012 Drive Shaft Holding Tool	Camshaft timing pulley
	09309-37010 Transmission Bearing Replacer	Crankshaft front oil seal
	09330-00021 Companion Flange Holding Tool	Crankshaft pulley
	09816-30010 Oil Pressure Switch Socket	Oil pressure sender gauge
	09817-16011 Back-up Light Switch Tool	Knock sensor
	09843-18020 Diagnosis Check Wire	

RECOMMENDED TOOLS

	09040-00010 Hexagon Wrench Set	
	09090-04010 Engine Sling Device	For suspending engine
	09200-00010 Engine Adjust Kit	
	09258-00030 Hose Plug Set	Plug for the vacuum hose, fuel hose etc.
	09904-00010 Expander Set	

EQUIPMENT

Battery specific gravity gauge	
Belt tension gauge	
Caliper gauge	
CD/HC meter	
Compression gauge	
Connecting rod aligner	
Cylinder gauge	
Dial indicator	
Dye penetrant	
Engine tune-up tester	
Heater	
Magnetic finger	
Micrometer	
Piston ring compressor	
Piston ring expander	

Plastigage	
Precision straight edge	
Soft brush	
Spring tester	Valve spring
Steel square	Valve spring
Thermometer	
Torque wrench	
Valve seat cutter	
Vernier calipers	

COOLANT

EG001-00

Item	Capacity	Classification
Engine coolant 2WD (M/T) (A/T) 4WD (M/T) (A/T)	9.9 liters (10.5 US qts, 8.7 Imp. qts) 9.7 liters (10.3 US qts, 8.5 Imp. qts) 10.0 liters (10.6 US qts, 8.8 Imp. qts) 9.8 liters (110.4 US qts, 8.6 Imp. qts)	Ethylene-glycol base

LUBRICANT

EG001-0E

Item	Capacity	Classification
Engine oil (2WD) Dry fill Drain and refill w/o Oil filter change w/ Oil filter change	5.3 liters (5.6 US qts, 4.7 Imp. qts) 4.3 liters (4.5 US qts, 3.8 Imp. qts) 4.0 liters (4.2 US qts, 3.5 Imp. qts)	APIA grade SKAG Energy-Conserving II multigrade and recommended viscosity oil.
Engine oil (4WD) Dry fill Drain and refill w/o Oil filter change w/ Oil filter change	5.4 liters (5.7 US qts, 4.8 Imp. qts) 4.5 liters (4.8 US qts, 4.0 Imp. qts) 4.2 liters (4.4 US qts, 3.7 Imp. qts)	

SSM (SPECIAL SERVICE MATERIALS)

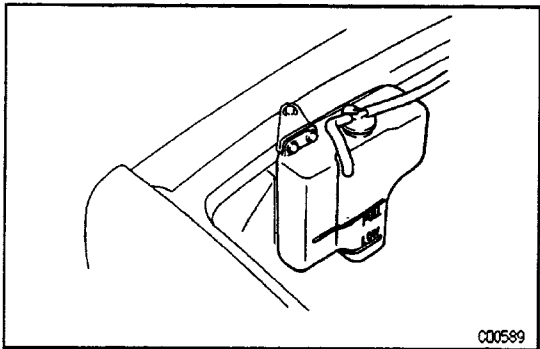
08826-00080 Seal packing or equivalent	Camshaft bearing cap Cylinder head cover Rear oil seal retainer Oil pump
08826-00080 Seal packing or equivalent	Oil pan baffle plate Oil pan Oil pressure sender gauge
08826-00100 Seal Packing 1282B, Three Bond 1282B or equivalent	Water outlet No.2 idler pulley Water pump No. 1 water by-pass pipe
08833-00070 Adhesive 1324, THREE BOND 1324 or equivalent	Flywheel bolt Drive plate bolt

TROUBLESHOOTING

When the malfunction code is not confirmed in the diagnostic code check and the problem still cannot be confirmed in the basic inspection, then proceed to this step and perform troubleshooting according to the numbers in the order given in the table below.

		See page	Suspect area										Symptom					
		IG-16	IG-16	EG2-199	EG2-192	EG2-190	EG2-190	EG2-188	EG2-193	-	EG2-193	-	EG2-202	EG2-212	EG2-160	EG2-220	EG2-247	-
		RPM Signal Circuit	Ignition Circuit	Heated Oxygen Sensor Circuit	Engine Coolant Temp Sensor Circuit	Intake Air Temp. Sensor Circuit	Volume Air Flow Meter Circuit	Throttle Position Sensor Circuit	STA Signal Circuit	Knock Sensor Circuit	PNP Signal Circuit	A/C Signal Circuit	Fuel Pump	Fuel Pressure Regulator	Fuel Lines	injectors	Cold Start System	Idle Speed Control Valve
Does not start	Engine does not crank																	
	Starter runs - engine does not crank																	
	No initial combustion	12	2				5						6				13	8
	(Vv complete combustion)				4		1							3		9	10	2
Difficult to start	Engine cranks slowly										2							
	Under normal conditions	12	13		4	14						7	6	8	16	17	3	
	Cold engine				1	6			2			8	7	9	10	5	4	
	Hot engine				1	5						8	7	9	10	6	3	
Poor idling	Incorrect first idle				3													4
	High engine idle speed				4	6		7			9	8				10	11	5
	Low engine idle speed				1		4									5		2
	Rough idling		18		2		12						7	6	8	16	17	9
	Misfire		4		6		8									9	10	
Poor drivability	Hesitation			12	10	11	9	8					14	13	15	18	19	
	Poor acceleration			6	3	7	5	4					9	8	10	11		
	Back fire			8	3	7	5	6						4		9	10	
	Muffler explosion													1		4		
	rafter fire																	
	Surging																	
	Knocking								1									
Engine stall	Engine stall soon after starting				8		7						3	2	4	9	10	6
	After accelerator pedal depressed						1	3						5	6	7		
	After accelerator pedal released						3											1
	During A/C operation											1						2
	When N to D shift										1							2
Others	Poor fuel economy			21	16	22	18	17								14	15	
	Engine overheat									9								
	Engine overcool																	
	Excessive oil consumption																	
	Low oil pressure																	
	High oil pressure																	
	Starter keeps running																	
Battery often discharge																		

		EG2-46	EG2-38	EG2-268	EG2-65	EG2-280	EG2-99	EG2-102	EG2-64	EG2-110	-	EG2-269	EG2-268	CH-2	BE-36	BE-37	CH-5	EG2-106	
		Valve Timing	Timing Belt	Water Pump	Valve Stem Guide Bushing	Oil Pump	Connecting Rod Bearing	Crankshaft Bearing	Cylinder Head	Piston Ring	Flywheel or Drive Plate	Radiator and Radiator Cap	Thermostat	Dive Belt	Engine Coolant Temp. Sender Gauge	Oil Pressure Switch	Generator	Cylinder Block	
See page																			
Suspect area																			
Symptom																			
Does not start	Engine does not crank																		
	Starter runs - engine does not crank										2								
	No initial combustion	10	11																
	No complete combustion	7	8							6									
Difficult to start	Engine cranks slowly						3	4											
	Under normal conditions	11								10									
	Cold engine																		
	Hot engine																		
Poor idling	incorrect first idle																		
	High engine idle speed																		
	Low engine idle speed																		
	Rough idling	14	15						20	11									
	Misfire																		
Poor drivability	Hesitation	17																	
	Poor acceleration																		
	Back fire	2																	
	Muffler explosion (after fire)	2																	
	Surging																		
Knocking		5		9								6	8						
Engine stall	Engine stall soon after starting																		
	After accelerator pedal depressed																		
	After accelerator pedal released																		
	During A/C operation																		
	When N to D shift																		
Others	Poor fuel economy	13								12									
	Engine overheat	7	5	6		10			11		3	4			13			12	
	Engine overcool												2		3				
	Excessive oil consumption				2				5	4									6
	Low oil pressure					2	3	4								5			
	High oil pressure					1									2				
	Starter keeps running																		
	Battery often discharge													1			2		

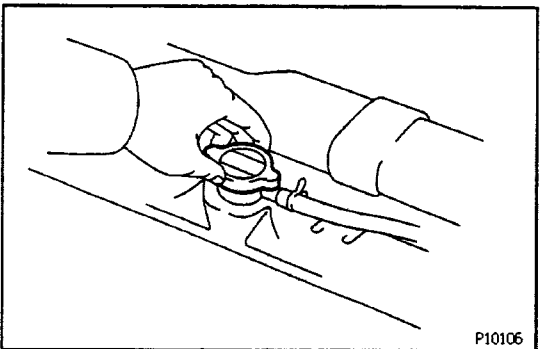


TUNE-UP

1. CHECK ENGINE COOLANT LEVEL AT RESERVOIR TANK

The engine coolant level should be between the "LOW" and "FULL" lines.

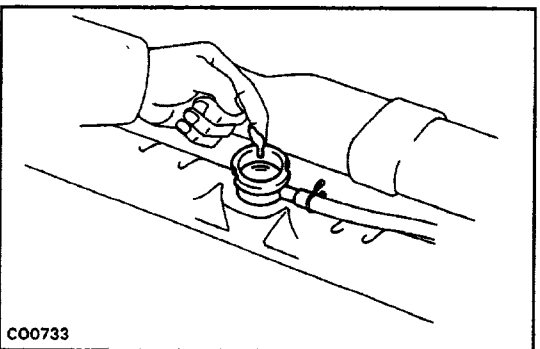
If low, check for leaks and add engine coolant up to the "FULL" line.



2. CHECK ENGINE COOLANT QUALITY

(a) Remove the radiator cap.

CAUTION: To avoid the danger of being burned, do not remove it while the engine and radiator are still hot, as fluid and steam can be blown out under pressure.



(b) There should not be any excessive deposits of rust or scales around the radiator cap or radiator filler hole, and the hole, and the coolant should be free from oil. If excessively dirty, clean the coolant passages and replace the coolant.

Capacity (w/ Heater):

9.9 liters (10.5 US qts, 8.7 Imp.qts) for 2WD M/T

9.7 liters (10.3 US qts, 8.5 Imp.qts) for 2WD A/T

10.0 liters (10.6 US qts, 8.8 Imp.qts) for 4WD M/T

9.8 liters (10.4 US qts, 8.6 Imp.qts) for 4WD A/T

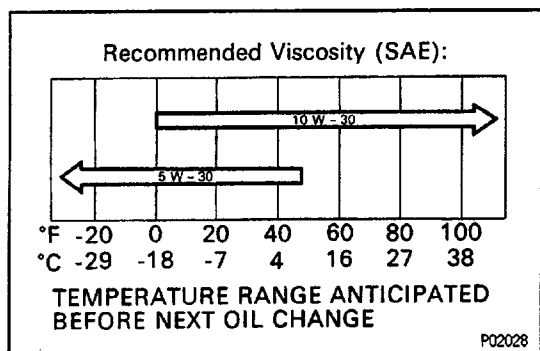
HINT:

- Use a good brand of ethylene-glycol base coolant and mix it according to the manufacturer's directions.
- Using coolant which includes more than 50% ethylene-glycol (but not more than 70%) is recommended.

NOTICE:

- **Do not use an alcohol type coolant.**
- **The coolant should be mixed with demineralized water or distilled water.**

(c) Reinstall the radiator cap.



ENGINE OIL INSPECTION

1. CHECK OIL QUALITY

Check the oil for deterioration, entry of water, discoloring or thinning.

If oil quality is poor, replace the oil.

Oil grade:

API grade **SG Energy-Conserving II** multigrade engine oil. Recommended viscosity is as shown,

Drain and refill capacity (2WD):

w/ Oil filter change

4.3 liters (4.5 US qts, 3.8 Imp. qts)

w/o Oil filter change

4.0 liters (4.2 US qts, 3.5 Imp. qts)

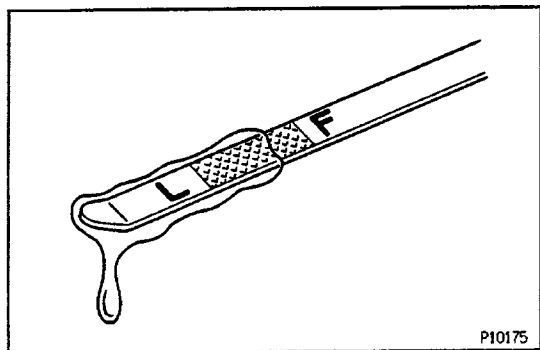
Drain and refill capacity (4WD):

w/ Oil filter change

4.5 liters (4.8 US qts, 4.0 Imp. qts)

w/o Oil filter change

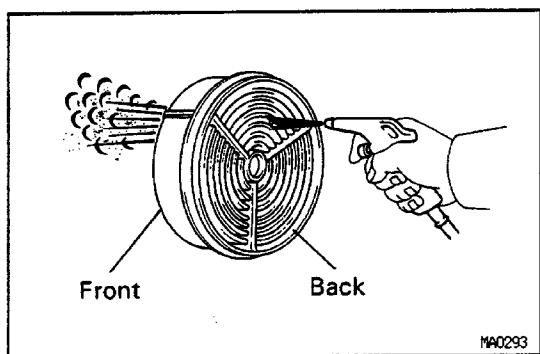
4.2 liters (4.4 US qts, 3.7 Imp. qts)



2. CHECK ENGINE OIL LEVEL

The oil level should be between the "L" and "F" marks on the dipstick.

If low, check for leakage and add oil up to the "F" mark.



AIR FILTER INSPECTION AND CLEANING

1. REMOVE AIR FILTER

2. INSPECT AND CLEAN AIR FILTER

(a) Visually check that the air filter is not excessively damaged or only.

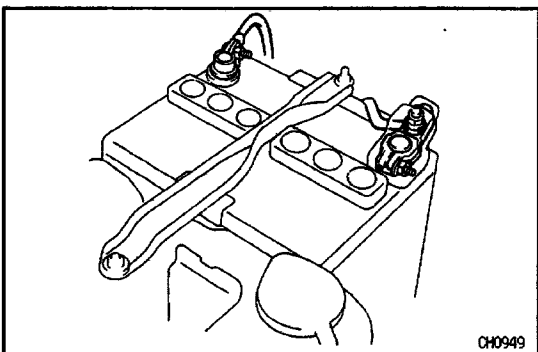
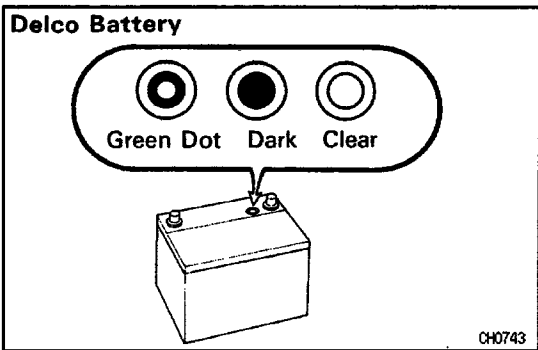
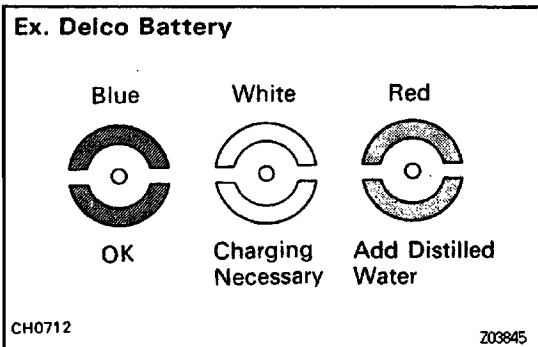
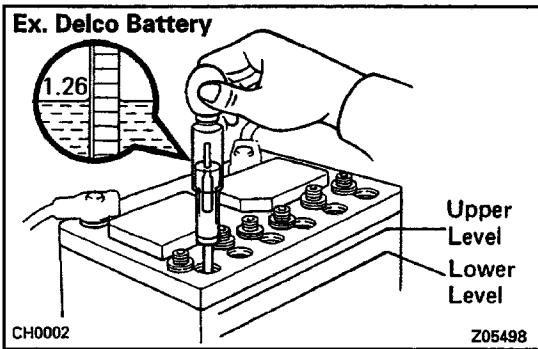
HINT: Oiliness may indicate a stuck PCV valve.

If necessary, replace the air filter.

(b) Clean the air filter with compressed air.

First blow from the inside thoroughly, then blow off the outside of the air filter.

3. REINSTALL AIR FILTER



BATTERY INSPECTION

1. (Ex. Delco Battery)

CHECK BATTERY SPECIFIC GRAVITY AND ELECTROLYTE LEVEL

- Check the electrolyte quantity of each cell.
If insufficient, refill with distilled (or purified) water.
- Check the specific gravity of each cell.

Standard specific gravity at 20°C (68°F):

1.25 – 1.27 for 55D 23R type

1.27 – 1.29 for 80D 26R type

If not within specifications, charge the battery.

HINT: Check the indicator as shown in the illustration.

2. (Delco Battery)

CHECK HYDROMETER

Green Dot visible:

Battery is adequately charged.

Dark (Green Dot not visible):

Battery must be charged.

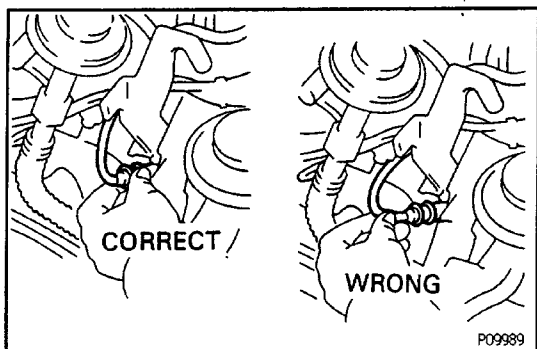
Clear or Light Yellow:

Replace battery.

HINT: There is no need to add water during the entire service life of the battery.

3. CHECK BATTERY TERMINALS, FUSIBLE LINK AND FUSES

- Check that the battery terminals are not loose or corroded.
- Check the fusible link and fuses for continuity.



HIGH-TENSION CORDS INSPECTION

1. DISCONNECT HIGH-TENSION CORDS FROM SPARK PLUGS

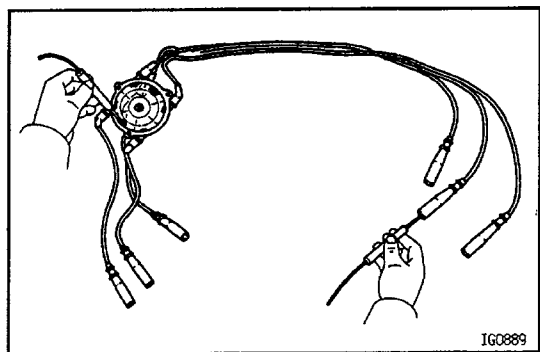
Disconnect the high - tension cords at the rubber boot. Do not pull on the cords.

NOTICE: Pulling on or bending the cords may damage the conductor inside.

2. REMOVE DISTRIBUTOR CAP WITH HIGH-TENSION CORDS

3. INSPECT HIGH-TENSION CORD TERMINALS

Check the terminals for corrosion, breaks or distortion. Replace cords as required.



4. INSPECT HIGH-TENSION CORD RESISTANCE

Using an ohmmeter, measure the resistance without disconnecting the distributor cap.

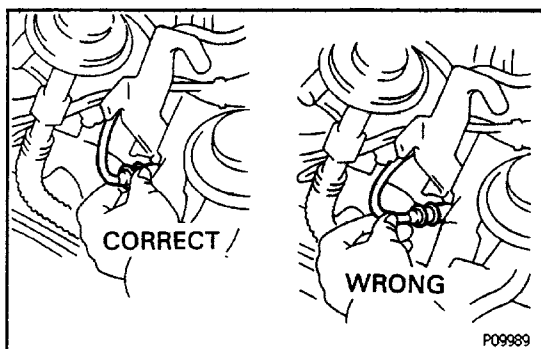
Maximum resistance:

25 kΩ per cord

If the resistance is greater than maximum, check the terminals. If any defect has been found, replace the high-tension cord and/or distributor cap.

5. REINSTALL DISTRIBUTOR CAP AND HIGH-TENSION CORDS

6. RECONNECT HIGH-TENSION CORDS TO SPARK PLUGS

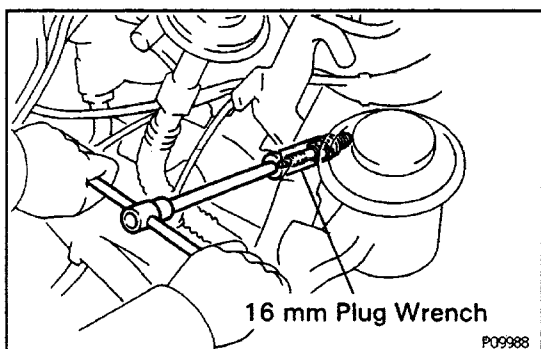


SPARK PLUGS INSPECTION

1. DISCONNECT HIGH-TENSION CORDS FROM SPARK PLUGS

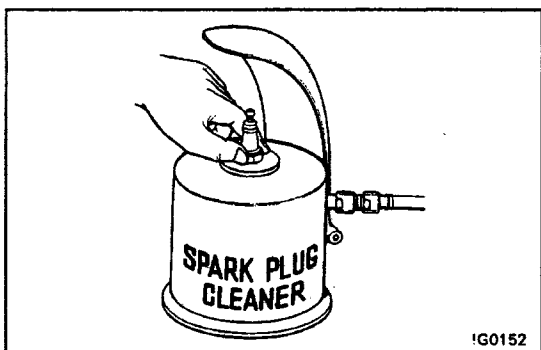
Disconnect the high - tension cords at the rubber boot. Do not pull on the cords.

NOTICE: Pulling on or bending the cords may damage the conductor inside.



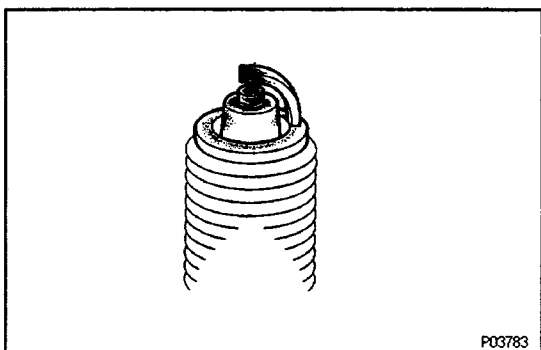
2. REMOVE SPARK PLUGS

Using a 16 mm plug wrench, remove the six spark plugs.



3. CLEAN SPARK PLUGS

Using a spark plug cleaner or wire brush, clean the spark plug.



4. VISUALLY INSPECT SPARK PLUGS

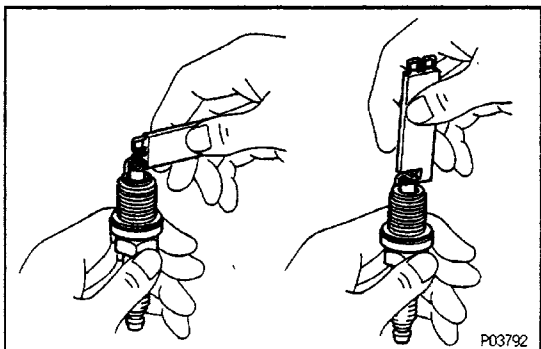
Check the spark plug for electrode wear, thread damage and insulator damage.

If abnormal, replace the spark plug.

Recommended spark plug:

K16R- U for ND

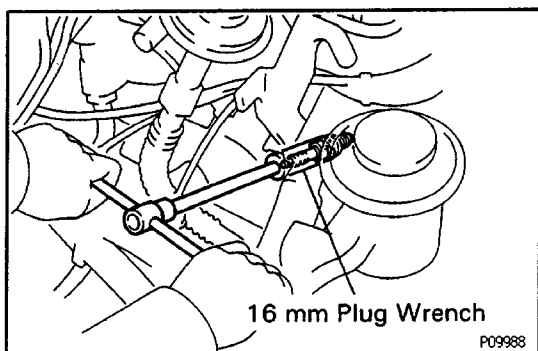
8KR5EYA for NGK



5. ADJUST ELECTRODE GAP

Carefully bend the outer electrode to obtain the correct electrode gap.

Correct electrode gap: 0.8 mm (0.031 in.)

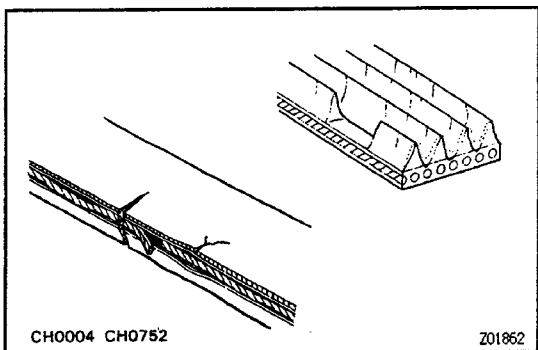


6. INSTALL SPARK PLUGS

Using a 16 mm plug wrench, install the six spark plugs.

Torque: 18 N-m (18o kgf-cm, 13 ft-lbf)

7. RECONNECT HIGH-TENSION CORDS TO SPARK PLUGS



GENERATOR DRIVE BELT INSPECTION

INSPECT DRIVE BELTS

(a) Visually check the belt for excessive wear, frayed cords etc.

If necessary, replace the drive belt.

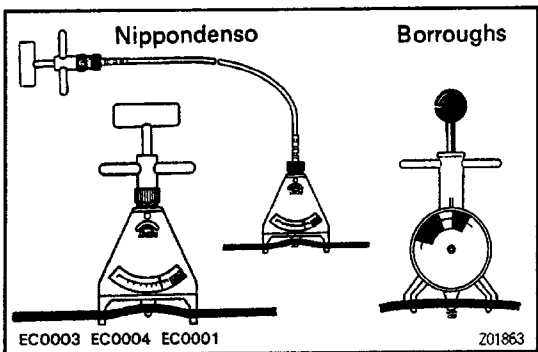
HINT: Cranks on the rib side of a belt are considered acceptable. If the belt has chunks missing from the ribs, it should be replaced.

(b) Using a belt tension gauge, measure the belt tension.

Belt tension gauge:

BTG-20 (95506-00020) for nippondenso

No. BT-33-73F for borroughs



Drive belt tension:

New belt

160 ±20 lbf

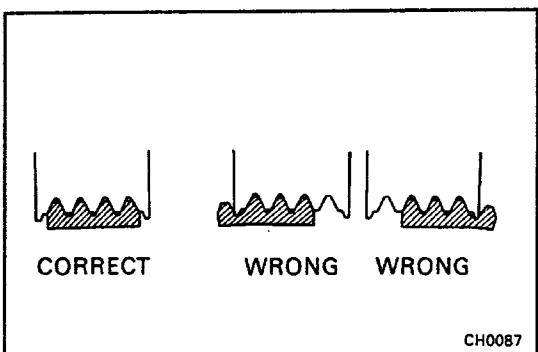
Used belt

100 ±20 lbf

If necessary, adjust the belt tension.

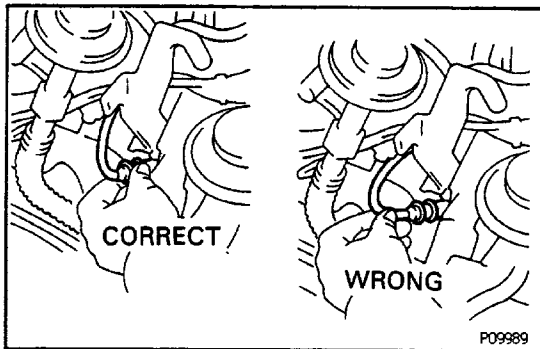
HINT:

- "New belt" refers to a belt which has been used less than 5 minutes on a running engine.
- "Used belt" refers to a belt which has been used on a running engine for 5 minutes or more.
- After installing the belt, check that it fits properly in the ribbed grooves.
- Check by hand to confirm that the belt has not slipped out of the groove on the bottom of the pulley.
- After installing a new belt, run the engine for about 5 minutes and recheck the belt tension.



VALVE CLEARANCE INSPECTION AND ADJUSTMENT

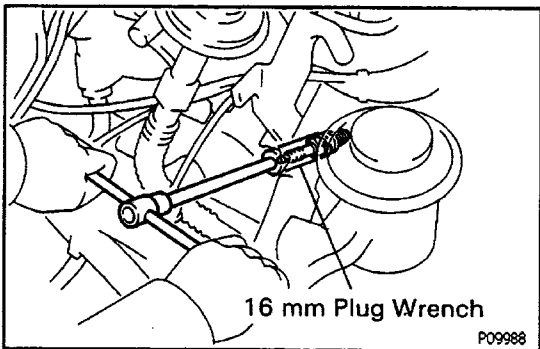
HINT: Inspect and adjust the valve clearance when the engine is cold.



1. DISCONNECT HIGH-TENSION CORDS FROM SPARK PLUGS

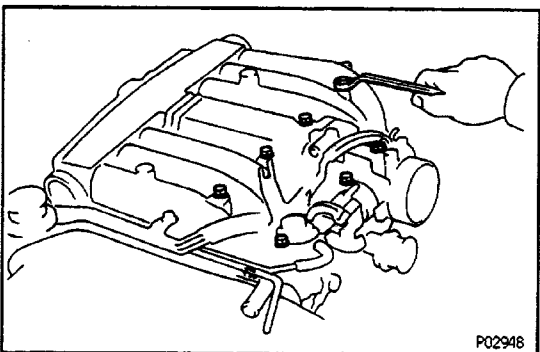
Disconnect the high – tension cords at the rubber boot. Do not pull on the cords.

NOTICE: Pulling on or bending the cords may damage the conductor inside.

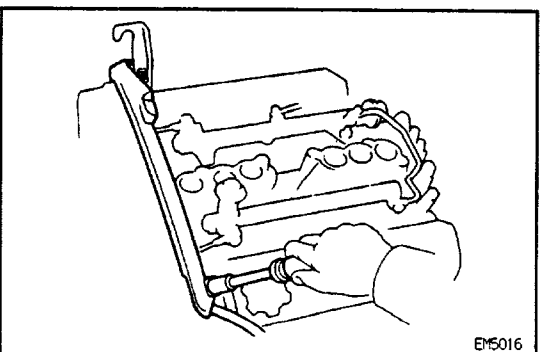


2. REMOVE SPARK PLUGS

Using a 16 mm plug wrench, remove the six spark plugs.



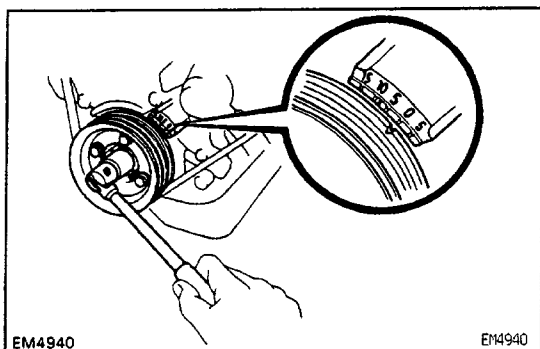
3. REMOVE AIR INTAKE CHAMBER (See step 18 on pages [EG2-53](#) to [55](#))



4. REMOVE ENGINE WIRE

Remove the two bolts and engine wire.

5. REMOVE CYLINDER HEAD COVERS (See step 35 on page [EG2-58](#))

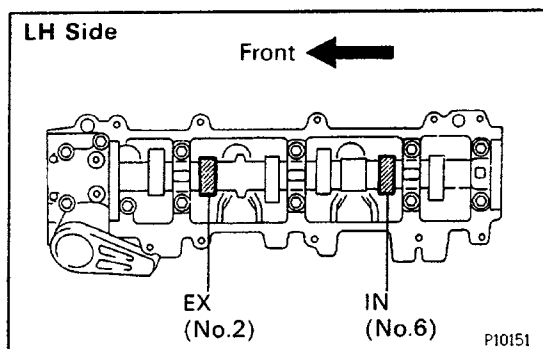


EM4940

EM4940

6. SET NO.1 CYLINDER TO TDC/COMPRESSION

- (a) Turn the crankshaft pulley and align its groove with timing mark "0" of the No.1 timing belt cover.
- (b) Check that the valve lifters on the No.1 cylinder are loose and valve lifters on the No.4 are tight. If not, turn the crankshaft one revolution (360°) and align the mark as above.



7. INSPECT VALVE CLEARANCE

- (a) Check the clearance of the 1N (No.6) and EX (No.2) valves. Using a feeler gauge, measure the clearance between the valve lifter and camshaft. Record the out-of-specification valve clearance measurements. They will be used later to determine the required replacement adjusting shim.

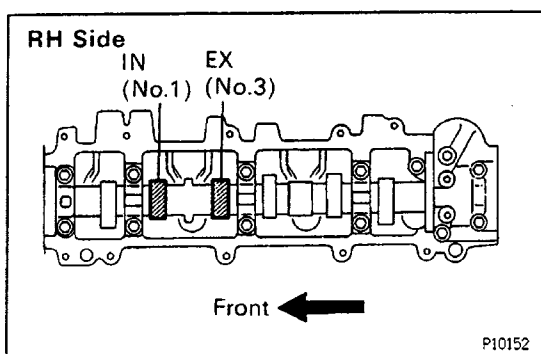
Valve clearance (Cold):

Intake

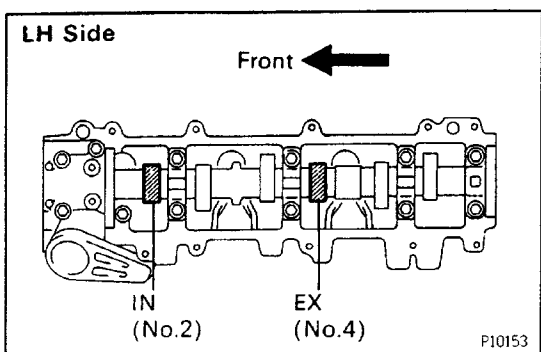
0.18 – 0.28 mm (0.007 – 0.011 in.)

Exhaust

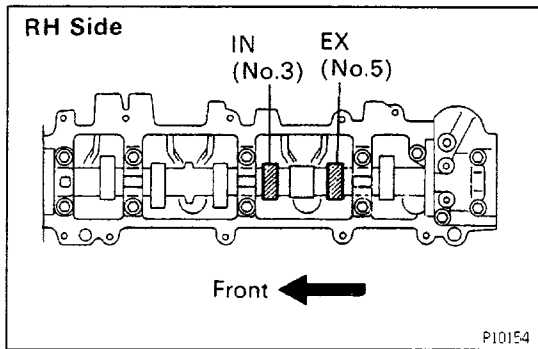
0.22 – 0.32 mm (0.009 – 0.013 in.)



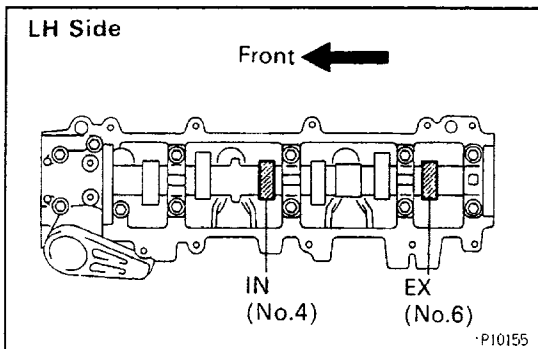
- (b) Turn the crankshaft 1/3 revolution (120°), check the clearance of the IN (No. 1) and EX (No. 3) valves. Measure the valve clearance. (See procedure in step (a))



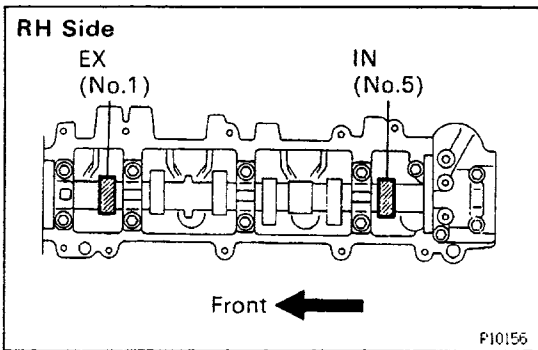
- (c) Turn the crankshaft 1/3 revolution (120°), check the clearance of the IN (No. 2) and EX (No. 4) valves. Measure the valve clearance. (See procedure in step (a))



- (d) Turn the crankshaft 1/3 revolution (120°), check the clearance of the IN (No. 3) and EX (No. 5) valves. Measure the valve clearance.
(See procedure in step (a))



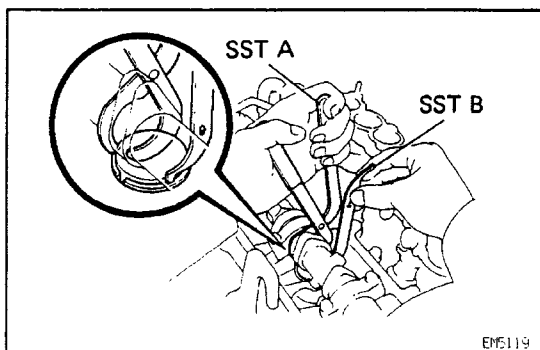
- (e) Turn the crankshaft 1/3 revolution (120°), check the clearance of the IN (No. 4) and EX (No. 6) valves. Measure the valve clearance.
(See procedure in step (a))



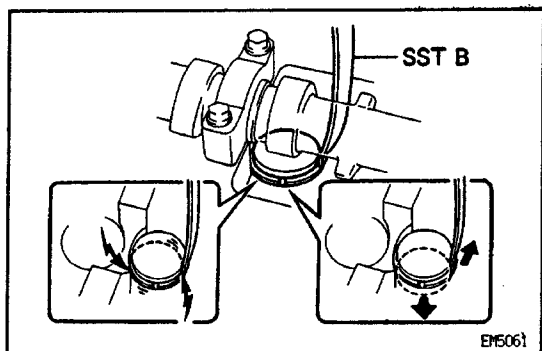
- (f) Turn the crankshaft 1/3 revolution (120°), check the clearance of the IN (No. 5) and EX (No. 1) valves. Measure the valve clearance.
(See procedure in step (a))

8. ADJUST VALVE CLEARANCE

- (a) Remove the adjusting shim.
- Turn the crankshaft so that the cam lobe of the camshaft on the adjusting valve upward.
 - Position the notch of the valve lifter facing the spark plug side.

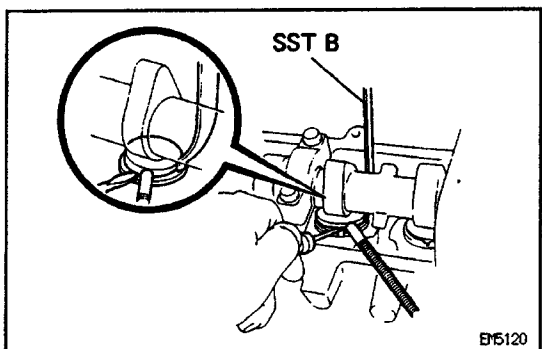


- Using SST (A), press down the valve lifter and place SST (B) between the camshaft and valve lifter. Remove SST (A).
SST 09248-55020 (09248-05011, 09248-05021)



HINT: For easy removal of the shim, When setting SST 8, set it on the lifter so there is a wide space in the removal direction.*

- Remove the adjusting shim with a small screwdriver and magnetic finger.



(b) : Determine the replacement adjusting shim size by following—the Formula or Chart:

- Using a micrometer, measure – the thickness of the removed shim.
 - Calculate the thickness of a new shim so that the valve clearance comes within specified value.
- T Thickness of removed shim
 A Measured valve clearance
 N Thickness of new shim

Intake:

$$N = T + (A - 0.23 \text{ mm (0.009 in.)})$$

Exhaust:

$$N = T + (A - 0.27 \text{ mm (0.011 in.)})$$

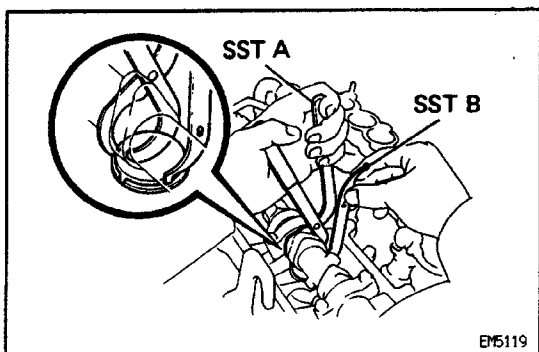
- Select a new shim with a thickness as close as possible to the calculated value.

HINT: Shims are available in twenty-five sized in increments of 0.05 mm (0.0020 in.), from 2.20 mm (0.0866 in.) to 3.40 mm (0.1339 in.).

(c) Install a new adjusting shim.

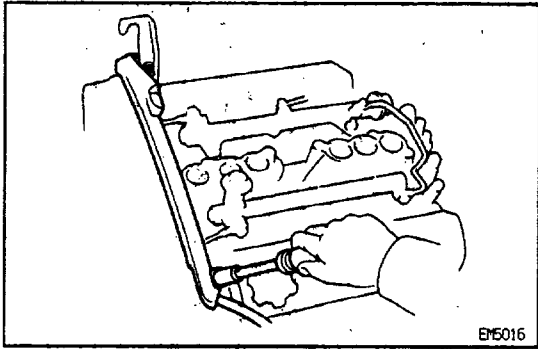
- Place a new adjusting shim on the valve lifter.
- Using SST (A), press down the valve lifter and remove SST (B).

SST 09248 - 55020 (09248-05011, 09248-05021)



Adjusting Shim Selection Chart (Exhaust)

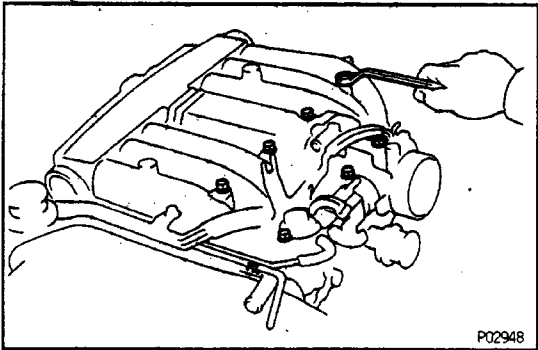
Measured clearance mm (in.)	Installed shim thickness mm (in.)		New shim thickness mm (in.)					
	Shim No.	Thickness	Shim No.	Thickness	Shim No.	Thickness	Shim No.	Thickness
0.000 (0.000) (0.000)	1	0.000	1	2.200	1	2.200	1	2.200
0.021 (0.000) (0.006)	1	0.021	1	2.221	1	2.221	1	2.221
0.042 (0.000) (0.016)	1	0.042	1	2.242	1	2.242	1	2.242
0.063 (0.000) (0.024)	1	0.063	1	2.263	1	2.263	1	2.263
0.084 (0.000) (0.033)	1	0.084	1	2.284	1	2.284	1	2.284
0.105 (0.000) (0.042)	1	0.105	1	2.305	1	2.305	1	2.305
0.126 (0.000) (0.051)	1	0.126	1	2.326	1	2.326	1	2.326
0.147 (0.000) (0.059)	1	0.147	1	2.347	1	2.347	1	2.347
0.168 (0.000) (0.067)	1	0.168	1	2.368	1	2.368	1	2.368
0.189 (0.000) (0.075)	1	0.189	1	2.389	1	2.389	1	2.389
0.210 (0.000) (0.083)	1	0.210	1	2.410	1	2.410	1	2.410
0.231 (0.000) (0.091)	1	0.231	1	2.431	1	2.431	1	2.431
0.252 (0.000) (0.100)	1	0.252	1	2.452	1	2.452	1	2.452
0.273 (0.000) (0.108)	1	0.273	1	2.473	1	2.473	1	2.473
0.294 (0.000) (0.116)	1	0.294	1	2.494	1	2.494	1	2.494
0.315 (0.000) (0.125)	1	0.315	1	2.515	1	2.515	1	2.515
0.336 (0.000) (0.133)	1	0.336	1	2.536	1	2.536	1	2.536
0.357 (0.000) (0.141)	1	0.357	1	2.557	1	2.557	1	2.557
0.378 (0.000) (0.149)	1	0.378	1	2.578	1	2.578	1	2.578
0.399 (0.000) (0.157)	1	0.399	1	2.599	1	2.599	1	2.599
0.420 (0.000) (0.165)	1	0.420	1	2.620	1	2.620	1	2.620
0.441 (0.000) (0.173)	1	0.441	1	2.641	1	2.641	1	2.641
0.462 (0.000) (0.181)	1	0.462	1	2.662	1	2.662	1	2.662
0.483 (0.000) (0.189)	1	0.483	1	2.683	1	2.683	1	2.683
0.504 (0.000) (0.197)	1	0.504	1	2.704	1	2.704	1	2.704
0.525 (0.000) (0.205)	1	0.525	1	2.725	1	2.725	1	2.725
0.546 (0.000) (0.213)	1	0.546	1	2.746	1	2.746	1	2.746
0.567 (0.000) (0.221)	1	0.567	1	2.767	1	2.767	1	2.767
0.588 (0.000) (0.229)	1	0.588	1	2.788	1	2.788	1	2.788
0.609 (0.000) (0.237)	1	0.609	1	2.809	1	2.809	1	2.809
0.630 (0.000) (0.245)	1	0.630	1	2.830	1	2.830	1	2.830
0.651 (0.000) (0.253)	1	0.651	1	2.851	1	2.851	1	2.851
0.672 (0.000) (0.261)	1	0.672	1	2.872	1	2.872	1	2.872
0.693 (0.000) (0.269)	1	0.693	1	2.893	1	2.893	1	2.893
0.714 (0.000) (0.277)	1	0.714	1	2.914	1	2.914	1	2.914
0.735 (0.000) (0.285)	1	0.735	1	2.935	1	2.935	1	2.935
0.756 (0.000) (0.293)	1	0.756	1	2.956	1	2.956	1	2.956
0.777 (0.000) (0.301)	1	0.777	1	2.977	1	2.977	1	2.977
0.798 (0.000) (0.309)	1	0.798	1	2.998	1	2.998	1	2.998
0.819 (0.000) (0.317)	1	0.819	1	3.019	1	3.019	1	3.019
0.840 (0.000) (0.325)	1	0.840	1	3.040	1	3.040	1	3.040
0.861 (0.000) (0.333)	1	0.861	1	3.061	1	3.061	1	3.061
0.882 (0.000) (0.341)	1	0.882	1	3.082	1	3.082	1	3.082
0.903 (0.000) (0.349)	1	0.903	1	3.103	1	3.103	1	3.103
0.924 (0.000) (0.357)	1	0.924	1	3.124	1	3.124	1	3.124
0.945 (0.000) (0.365)	1	0.945	1	3.145	1	3.145	1	3.145
0.966 (0.000) (0.373)	1	0.966	1	3.166	1	3.166	1	3.166
0.987 (0.000) (0.381)	1	0.987	1	3.187	1	3.187	1	3.187
1.008 (0.000) (0.389)	1	1.008	1	3.208	1	3.208	1	3.208
1.029 (0.000) (0.397)	1	1.029	1	3.229	1	3.229	1	3.229
1.050 (0.000) (0.405)	1	1.050	1	3.250	1	3.250	1	3.250
1.071 (0.000) (0.413)	1	1.071	1	3.271	1	3.271	1	3.271
1.092 (0.000) (0.421)	1	1.092	1	3.292	1	3.292	1	3.292
1.113 (0.000) (0.429)	1	1.113	1	3.313	1	3.313	1	3.313
1.134 (0.000) (0.437)	1	1.134	1	3.334	1	3.334	1	3.334
1.155 (0.000) (0.445)	1	1.155	1	3.355	1	3.355	1	3.355
1.176 (0.000) (0.453)	1	1.176	1	3.376	1	3.376	1	3.376
1.197 (0.000) (0.461)	1	1.197	1	3.397	1	3.397	1	3.397
1.218 (0.000) (0.469)	1	1.218	1	3.418	1	3.418	1	3.418
1.239 (0.000) (0.477)	1	1.239	1	3.439	1	3.439	1	3.439
1.260 (0.000) (0.485)	1	1.260	1	3.460	1	3.460	1	3.460
1.281 (0.000) (0.493)	1	1.281	1	3.481	1	3.481	1	3.481
1.302 (0.000) (0.501)	1	1.302	1	3.502	1	3.502	1	3.502
1.323 (0.000) (0.509)	1	1.323	1	3.523	1	3.523	1	3.523
1.344 (0.000) (0.517)	1	1.344	1	3.544	1	3.544	1	3.544
1.365 (0.000) (0.525)	1	1.365	1	3.565	1	3.565	1	3.565
1.386 (0.000) (0.533)	1	1.386	1	3.586	1	3.586	1	3.586
1.407 (0.000) (0.541)	1	1.407	1	3.607	1	3.607	1	3.607
1.428 (0.000) (0.549)	1	1.428	1	3.628	1	3.628	1	3.628
1.449 (0.000) (0.557)	1	1.449	1	3.649	1	3.649	1	3.649
1.470 (0.000) (0.565)	1	1.470	1	3.670	1	3.670	1	3.670
1.491 (0.000) (0.573)	1	1.491	1	3.691	1	3.691	1	3.691
1.512 (0.000) (0.581)	1	1.512	1	3.712	1	3.712	1	3.712
1.533 (0.000) (0.589)	1	1.533	1	3.733	1	3.733	1	3.733
1.554 (0.000) (0.597)	1	1.554	1	3.754	1	3.754	1	3.754
1.575 (0.000) (0.605)	1	1.575	1	3.775	1	3.775	1	3.775
1.596 (0.000) (0.613)	1	1.596	1	3.796	1	3.796	1	3.796
1.617 (0.000) (0.621)	1	1.617	1	3.817	1	3.817	1	3.817
1.638 (0.000) (0.629)	1	1.638	1	3.838	1	3.838	1	3.838
1.659 (0.000) (0.637)	1	1.659	1	3.859	1	3.859	1	3.859
1.680 (0.000) (0.645)	1	1.680	1	3.880	1	3.880	1	3.880
1.701 (0.000) (0.653)	1	1.701	1	3.901	1	3.901	1	3.901
1.722 (0.000) (0.661)	1	1.722	1	3.922	1	3.922	1	3.922
1.743 (0.000) (0.669)	1	1.743	1	3.943	1	3.943	1	3.943
1.764 (0.000) (0.677)	1	1.764	1	3.964	1	3.964	1	3.964
1.785 (0.000) (0.685)	1	1.785	1	3.985	1	3.985	1	3.985
1.806 (0.000) (0.693)	1	1.806	1	4.006	1	4.006	1	4.006
1.827 (0.000) (0.701)	1	1.827	1	4.027	1	4.027	1	4.027
1.848 (0.000) (0.709)	1	1.848	1	4.048	1	4.048	1	4.048
1.869 (0.000) (0.717)	1	1.869	1	4.069	1	4.069	1	4.069
1.890 (0.000) (0.725)	1	1.890	1	4.090	1	4.090	1	4.090
1.911 (0.000) (0.733)	1	1.911	1	4.111	1	4.111	1	4.111
1.932 (0.000) (0.741)	1	1.932	1	4.132	1	4.132	1	4.132
1.953 (0.000) (0.749)	1	1.953	1	4.153	1	4.153	1	4.153
1.974 (0.000) (0.757)	1	1.974	1	4.174	1	4.174	1	4.174
1.995 (0.000) (0.765)	1	1.995	1	4.195	1	4.195	1	4.195
2.016 (0.000) (0.773)	1	2.016	1	4.216	1	4.216	1	4.216
2.037 (0.000) (0.781)	1	2.037	1	4.237	1	4.237	1	4.237
2.058 (0.000) (0.789)	1	2.058	1	4.258	1	4.258	1	4.258
2.079 (0.000) (0.797)	1	2.079	1	4.279	1	4.279	1	4.279
2.100 (0.000) (0.805)	1	2.100	1	4.300	1	4.300	1	4.300
2.121 (0.000) (0.813)	1	2.121	1	4.321	1	4.321	1	4.321
2.142 (0.000) (0.821)	1	2.142	1	4.342	1	4.342	1	4.342
2.163 (0.000) (0.829)	1	2.163	1	4.363	1	4.363	1	4.363
2.184 (0.000) (0.837)	1	2.184	1	4.384	1	4.384	1	4.384
2.205 (0.000) (0.845)	1	2.205	1	4.405	1	4.405	1	4.405
2.226 (0.000) (0.853)	1	2.226	1	4.426	1	4.426	1	4.426
2.247 (0.000) (0.861)	1	2.247	1	4.447	1	4.447	1	4.447
2.268 (0.000) (0.869)	1	2.268	1	4.468	1	4.468	1	4.468
2.289 (0.000) (0.877)	1	2.289	1	4.489	1	4.489	1	4.489
2.310 (0.000) (0.885)	1	2.310	1	4.510	1	4.510	1	4.510
2.331 (0.000) (0.893)	1	2.331	1	4.531	1	4.531	1	4.531
2.352 (0.000) (0.901)	1	2.352	1	4.552	1	4.552	1	4.552
2.373 (0.000) (0.909)	1	2.373	1	4.573	1	4.573	1	4.573
2.394 (0.000) (0.917)	1	2.394	1	4.594	1	4.594	1	4.594
2.415 (0.000) (0.925)	1	2.415	1	4.615	1	4.615	1	4.615
2.436 (0.000) (0.933)	1	2.436	1	4.636	1	4.636	1	4.636
2.457 (0.000) (0.941)	1	2.457	1	4.657	1	4.657	1	4.657
2.478 (0.000) (0.949)	1	2.478	1	4.678	1	4.678	1	4.678
2.499 (0.000) (0.957)	1	2.499	1	4.699	1	4.699	1	4.699
2.520 (0.000) (0.965)	1	2.520	1	4.720	1	4.720	1	4.720
2.541 (0.000) (0.973)	1	2.541	1	4.741	1	4.741	1	4.741
2.562 (0.000) (0.981)	1	2.562	1	4.762	1	4.762	1	4.762
2.583 (0.000) (0.989)	1	2.583	1	4.783	1	4.783	1	4.783
2.604 (0.000) (0.997)	1	2.604	1	4.804	1	4.804	1	4.804
2.625 (0.000) (1.005)	1	2.625	1	4.825	1	4.825	1	4.825
2.646 (0.000) (1.013)	1	2.646	1	4.846	1	4.846	1	4.846
2.667 (0.000) (1.021)	1	2.667	1	4.867	1	4.867	1	4.867
2.688 (0.000) (1.029)	1	2.688	1	4.888	1	4.888	1	4.888
2.709 (0.000) (1.037)	1	2.709	1	4.909	1	4.909	1	4.909
2.730 (0.000) (1.045)	1	2.730	1	4.930	1	4.930	1	4.930
2.751 (0.000) (1.053)	1							

**9. INSTALL CYLINDER HEAD COVERS**

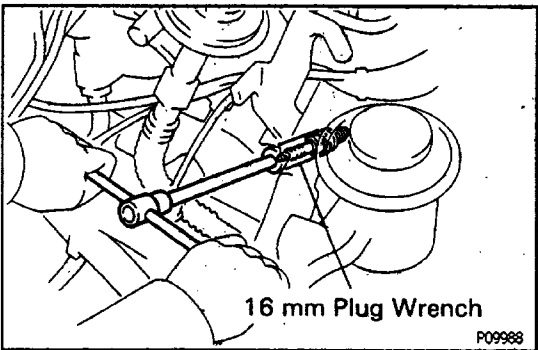
(See step 7 on page [EG2-80](#))

10. INSTALL ENGINE WIRE

Install the engine wire with the two bolts.

**11. INSTALL AIR INTAKE CHAMBER**

(See step 24 on pages [EG2-84](#) to 87)

**12. INSTALL SPARK PLUGS**

Using a 16 mm plug wrench, install the six spark plugs.

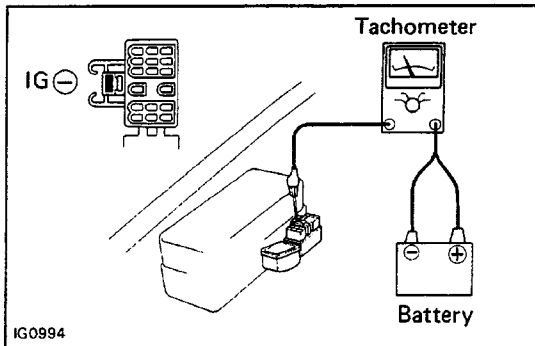
Torque: 18 N-m (18a kgf-cm, 13 ft-lbf)

13. RECONNECT- HIGH -TENSION CORDS TO SPARK PLUGS

IGNITION TIMING INSPECTION AND ADJUSTMENT

1. WARM UP ENGINE

Allow the engine to warm up to normal operating temperature.



2. CONNECT TACHOMETER AND TIMING LIGHT TO ENGINE

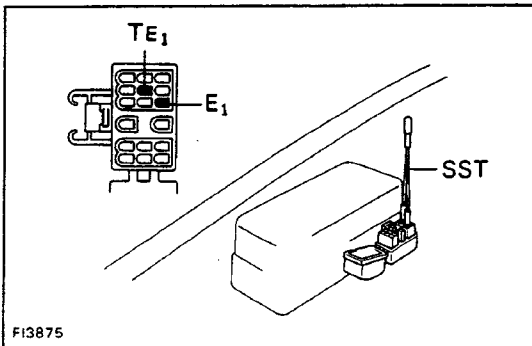
Connect the test probe of a tachometer to terminal IG (-) of the data link connector 1.

NOTICE:

- Never allow the tachometer terminal to touch ground as it could result in damage to the igniter and/or ignition coil.
- As some tachometers are not compatible with this ignition system, we recommend that you confirm the compatibility of your unit before use.

3. ADJUST IGNITION TIMING

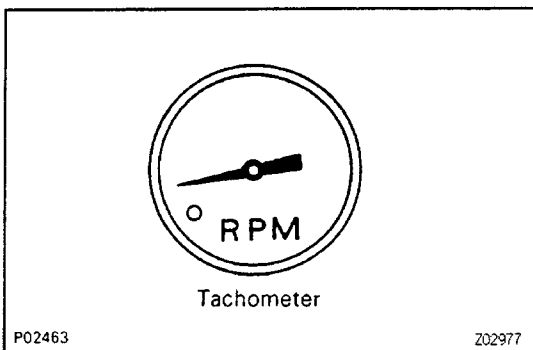
- (a) Using SST, connect terminals TE1 and E1 of the the data link connector 1.
- SST 09843-18020



- (b) Check the idle speed.

Idle speed:

800 ± 50 rpm



- (c) Using a timing light, check the ignition timing.

Ignition timing:

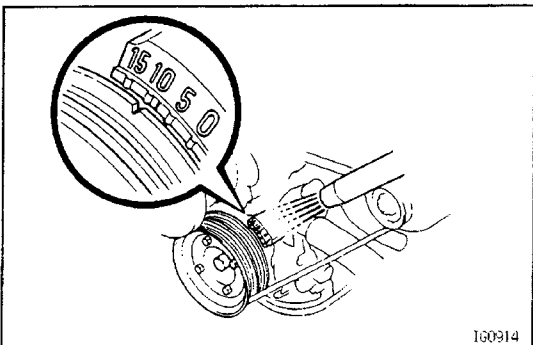
10 • BTDC @ idle

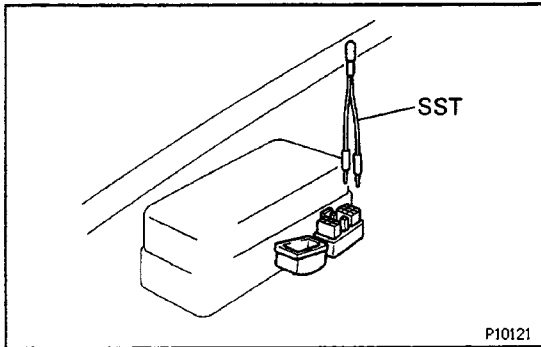
(Transmission in neutral position)

- (d) Loosen the hold-down bolt, and adjust by turning the distributor.

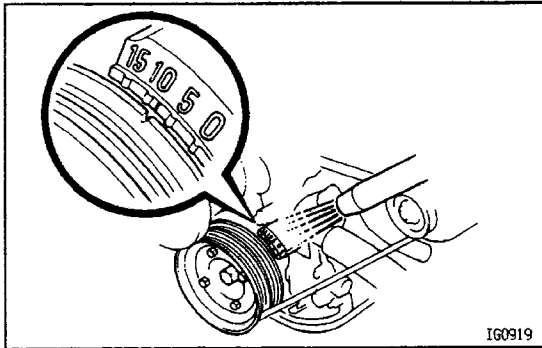
- (e) Tighten the hold-down bolt, and recheck the ignition timing.

Torque: 18N-m (185 kgf-cm, 13 ft-lbf)





- (f) Remove the SST from the data link connector 1.
SST 09843-18020



4. FURTHER CHECK IGNITION TIMING

Check that the ignition timing advances.

Ignition timing:

8° BTDC @ idle

5. DISCONNECT TACHOMETER AND TIMING LIGHT FROM ENGINE

IDLE SPEED INSPECTION AND ADJUSTMENT

1. INITIAL CONDITIONS

- Engine at normal operating temperature
- Air cleaner installed
- All pipes and hoses of air induction system connected
- All accessories switched OFF
- All vacuum lines properly connected

HINT: All vacuum hoses for EGR systems, etc. should be properly connected.

- MFI system wiring connectors fully plugged
- Ignition timing set correctly
- Transmission in neutral position

2. CONNECT TACHOMETER

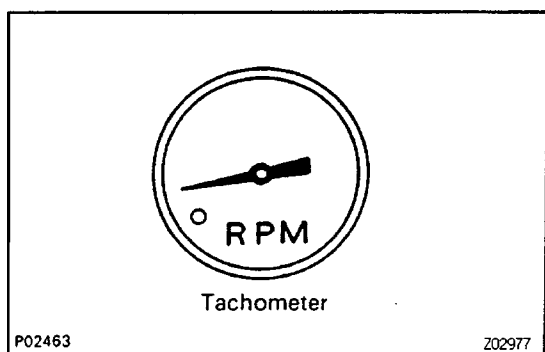
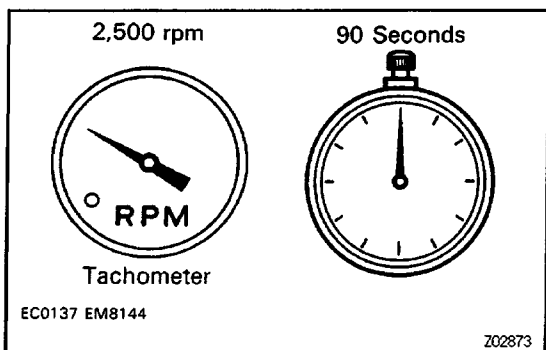
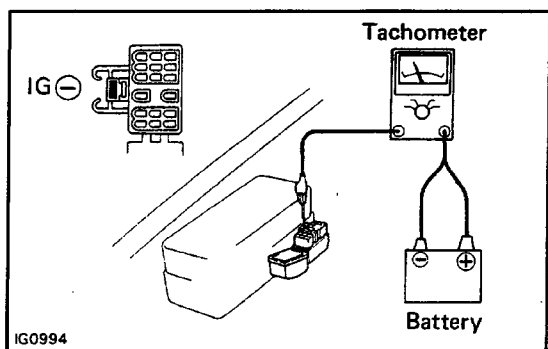
Connect the test probe of a tachometer to terminal IG (-) of the data link connector 1.

NOTICE:

- Never allow the tachometer terminal to touch ground as it could result in damage to the igniter and/or. ignition coil.
- As some tachometers are not compatible with this ignition system, we recommend that you confirm the compatibility of your unit before use.

3. ADJUST IDLE SPEED

- Race the engine speed at 2,500 rpm for approx. 90 seconds.



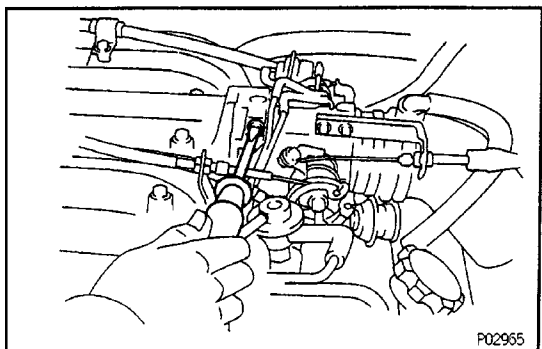
- Check the idle speed.

Idle speed:

800 ± 50 rpm

- Adjust the idle speed by turning the idle speed adjusting screw.

4. DISCONNECT TACHOMETER



IDLE AND OR 2500 RPM CO HC CHECK

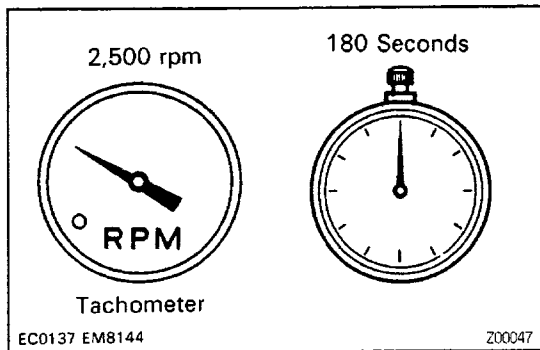
HINT: This check is used only to determine whether or not the idle CO/HC complies with regulations.

1. INITIAL CONDITIONS

- (a) Engine at normal operating temperature
- (b) Air cleaner installed
- (c) All pipes and hoses of air induction system connected
- (d) All accessories switched OFF
- (e) All vacuum lines properly connected

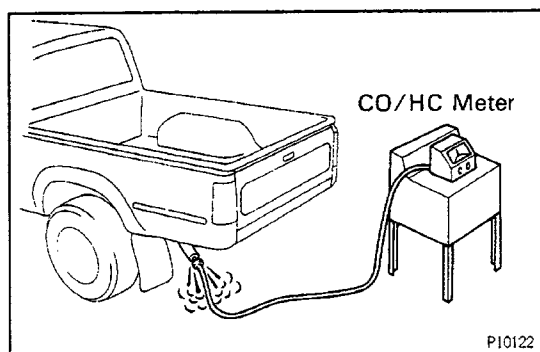
HINT: All vacuum hoses for EGR systems, etc. should be properly connected.

- (f) MFI system wiring connectors fully plugged
- (g) Ignition timing set correctly
- (h) Idle speed set correctly
- (i) Transmission in neutral position
- (j) Tachometer and CO/HC meter calibrated by hand



2. START ENGINE

3. RACE ENGINE AT 2,500 RPM FOR APPROX. 180 SECONDS



4. INSERT CO/HC METER TESTING PROBE INTO TAILPIPE AT LEAST 40 cm (1.3 ft) DURING IDLING

5. IMMEDIATELY CHECK CO/HC CONCENTRATION AT IDLE AND/OR 2,500 RPM

HINT: When performing the 2 mode (2,500 rpm and idle) test, follow the measurement order prescribed by the applicable local regulations.

Troubleshooting

If the CO/HC concentration does not comply with regulations, perform troubleshooting in the order given below.

- (a) Check heated oxygen sensor operation.
(See MFI System on page [EG2-252](#))
- (b) See the table below for possible causes, and then inspect and correct the applicable causes if necessary.

CO	HC	Problems	Causes
Normal	High	Rough idle	<ol style="list-style-type: none"> 1. Faulty ignitions: <ul style="list-style-type: none"> • Incorrect timing • Fouled, shorted or improperly gapped plugs • Open or crossed high-tension cords • Cracked distributor cap 2. Incorrect valve clearance 3. Leaky EGR valve 4. Leaky intake and exhaust valves 5. Leaky cylinder
Low	High	Rough idle (Fluctuating HC reading)	<ol style="list-style-type: none"> 1. Vacuum leaks: <ul style="list-style-type: none"> • PCV hose • EGR valve • Intake manifold • Air intake chamber • Throttle body • Brake booster line 2. Lean mixture causing misfire
High	High	Rough idle (Black smoke from exhaust)	<ol style="list-style-type: none"> 1. Restricted air filter 2. Plugged PCV valve 3. PAIR system problems 4. Faulty M F I systems: <ul style="list-style-type: none"> • Faulty pressure regulator • Clogged fuel return line • Defective ECT sensor • Defective intake air temperature sensor • Faulty ECM • Faulty injector • Faulty cold start injector • Faulty throttle position sensor • Faulty volume air flow meter

COMPRESSION CHECK

HINT: If there is lack of power, excessive oil consumption or poor fuel economy, measure the compression pressure.

1. WARM UP AND STOP ENGINE

Allow the engine to warm up to normal operating temperature.

2. REMOVE AIR CLEANER HOSE

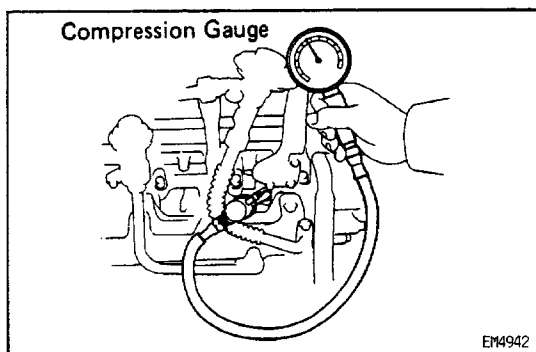
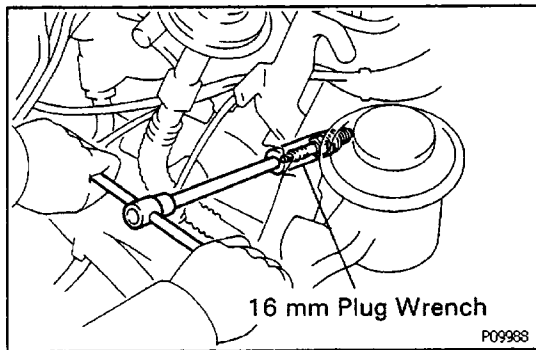
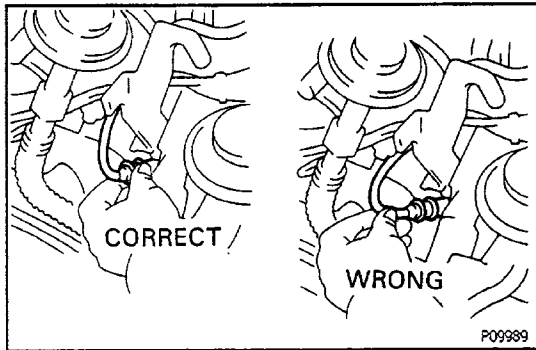
3. DISCONNECT COLD START INJECTOR CONNECTOR

4. DISCONNECT IGNITER CONNECTOR

5. DISCONNECT HIGH-TENSION CORDS FROM SPARK PLUGS

Disconnect the high - tension cords at the rubber boot. Do not pull on the cords.

NOTICE: Pulling on or bending the cords may damage the conductor inside.



6. REMOVE SPARK PLUGS

Using a 16 mm plug wrench, remove the six spark plugs.

7. CHECK CYLINDER COMPRESSION PRESSURE

- Insert a compression gauge into the spark plug hole.
- Fully open the throttle.
- While cranking the engine, measure the compression pressure.

HINT: Always use a fully charged battery to obtain engine speed of 250 rpm or more.

- Repeat steps
- through
- for each cylinder.

NOTICE: This measurement must be done in as short a time as possible.

Compression pressure:

1,177 kPa (12.0 kg f/cm², 171 psi) .

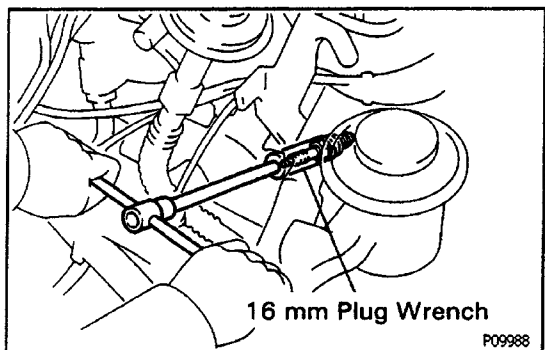
Minimum pressure:

981 kPa (10.0 kg f/cm², 142 psi)

Difference between each cylinder:

98 kPa (1.0 kg f/cm², 14 psi) or less

- (e) If the cylinder compression in one or more cylinders is low, pour a small amount of engine oil into the cylinder through the spark plug hole and repeat steps (a) through (c) for cylinders with low compression.
- If adding oil helps the compression, chances are that the piston rings and/or cylinder bore are worn or damaged.
 - If pressure stays low, a valve may be sticking or seating is improper, or there may be leakage past the gasket.



8. REINSTALL SPARK PLUGS

Using a 16 mm plug wrench, install the six spark plugs.

Torque: 18 N-m (780 kgf-cm, 13 ft-lbf)

9. RECONNECT HIGH-TENSION CORDS TO SPARK PLUGS

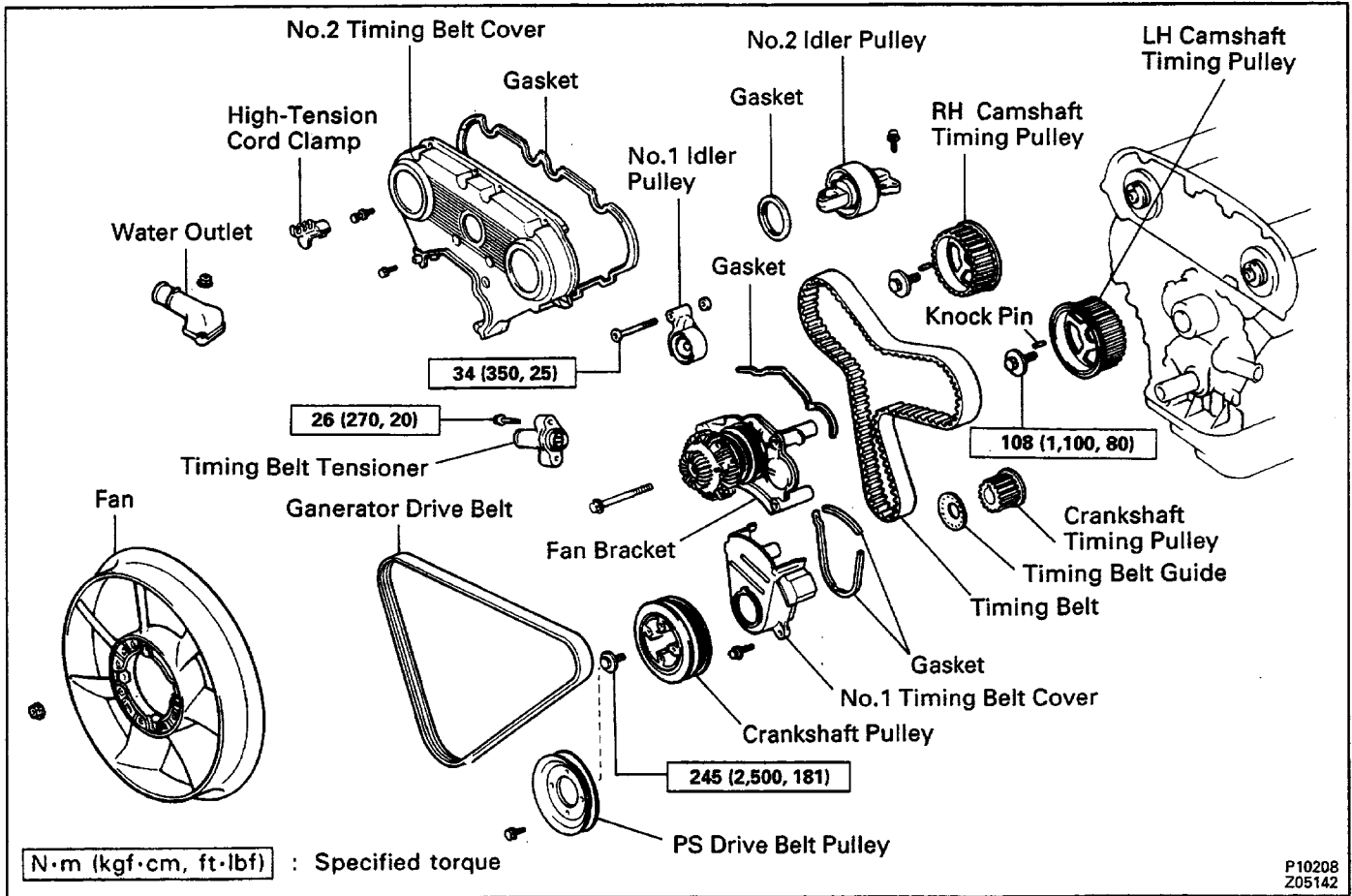
10. CONNECT IGNITER CONNECTOR

11. CONNECT COLD START INJECTOR CONNECTOR

12. INSTALL AIR CLEANER HOSE

TIMING BELT COMPONENTS

EG1E5-02



EG205-01

TIMING BELT REMOVAL

(See Components)

NOTICE: If removing and later reinstalling the fluid coupling from the fan bracket, place matchmarks on the fluid coupling and fan bracket so that the fluid coupling can be replaced exactly as before.

1. DISCONNECT CABLE FROM NEGATIVE TERMINAL OF BATTERY

2. REMOVE ENGINE UNDER COVER

3. DRAIN ENGINE COOLANT

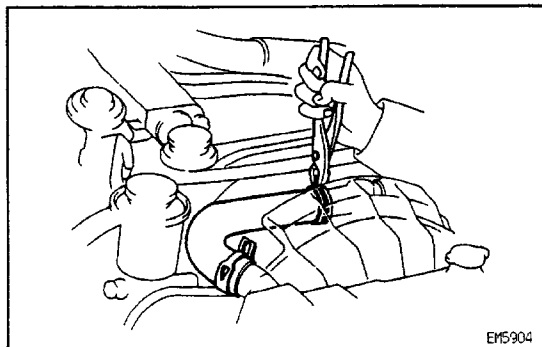
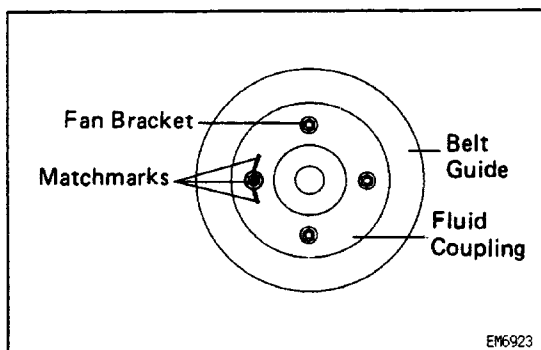
4. REMOVE RADIATOR

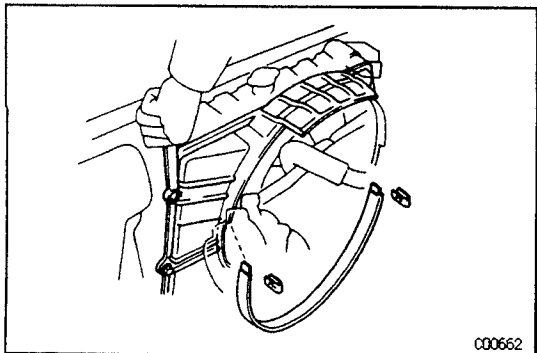
(a) Disconnect the reservoir hose.

(b) (A/T only)

Disconnect the oil cooler hoses.

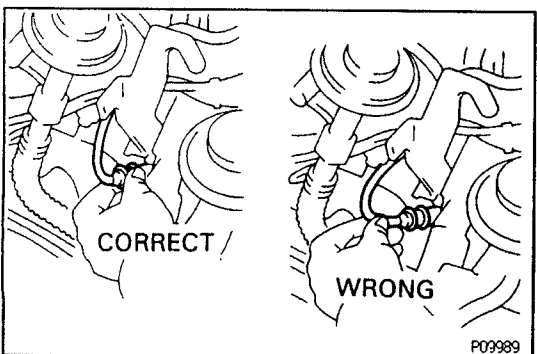
(c) Remove the radiator hoses.





- (d) Remove the two clips and No.2 fan shroud.
- (e) Remove the four bolts and No.1 fan shroud.
- (f) Remove the four bolts and radiator.

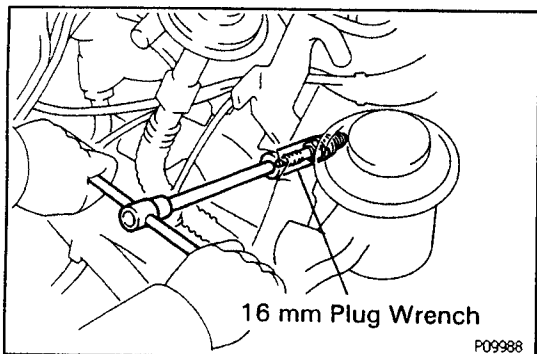
5. DISCONNECT NO.2 AND NO.3 AIR HOSES FROM AIR PIPE



6. DISCONNECT HIGH-TENSION CORDS FROM SPARK PLUGS

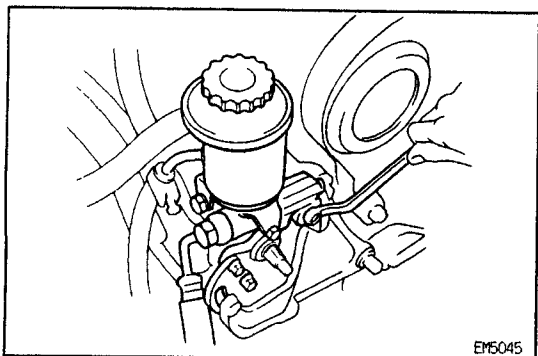
Disconnect the high - tension cords at the rubber boot. Do not pull on the cords.

NOTICE: Pulling on or bending the cords may damage the conductor inside.



7. REMOVE SPARK PLUGS

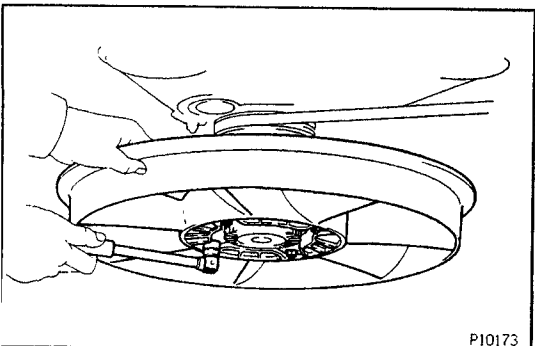
Using a 16 mm plug wrench, remove the six spark plugs.



8. REMOVE PS DRIVE BELT AND PUMP PULLEY

9. DISCONNECT PS PUMP FROM ENGINE

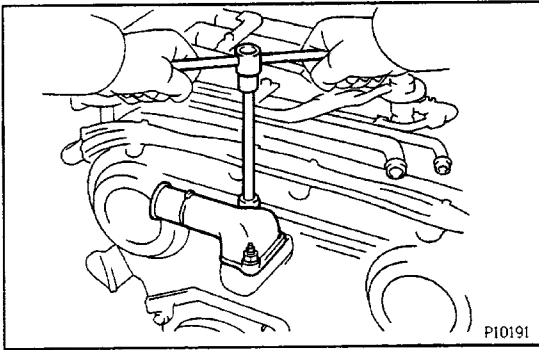
10. REMOVE A/C DRIVE BELT



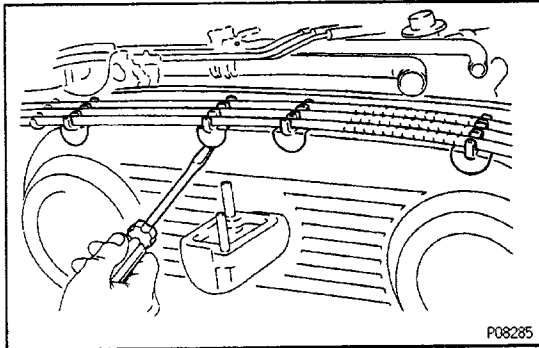
11. REMOVE COOLING FAN

Remove the four nuts and cooling fan.

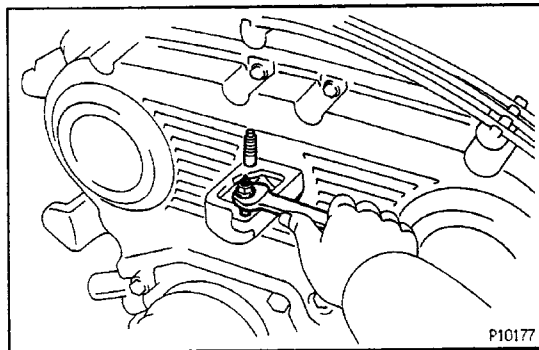
12. REMOVE GENERATOR DRIVE BELT

**13. REMOVE WATER OUTLET**

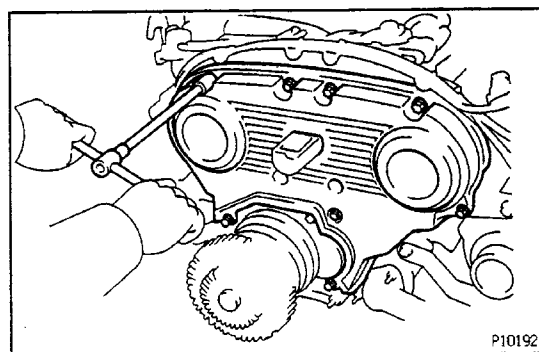
Remove the two nuts and water outlet.

**14. REMOVE NO.2 TIMING BELT COVER**

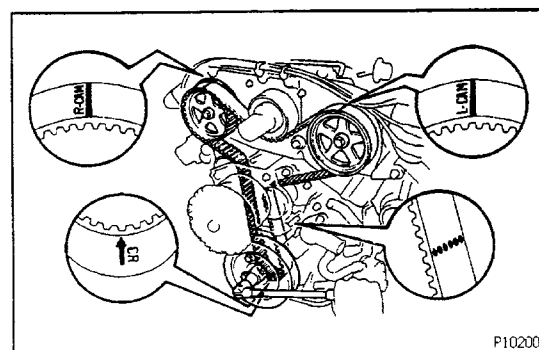
(a) Using a screwdriver, disconnect the four high-tension cord clamps from the mounting bolts of the No.2 timing belt cover.



(b) Using the two water inlet nuts, remove the two stud bolts.

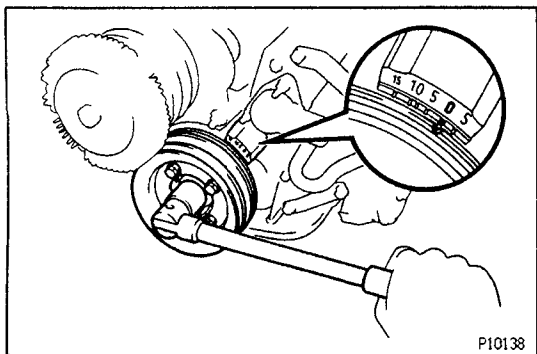


(c) Remove the eleven bolts, timing belt cover and three gaskets.

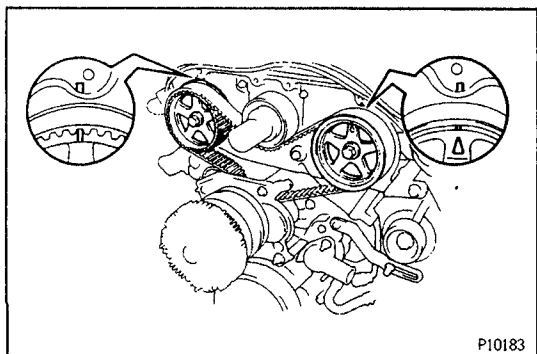
**15. IF RE-USING TIMING BELT, CHECK INSTALLATION MARKS ON TIMING BELT**

Check that there are four installation marks on the timing belt by turning the crankshaft pulley as shown in the illustration.

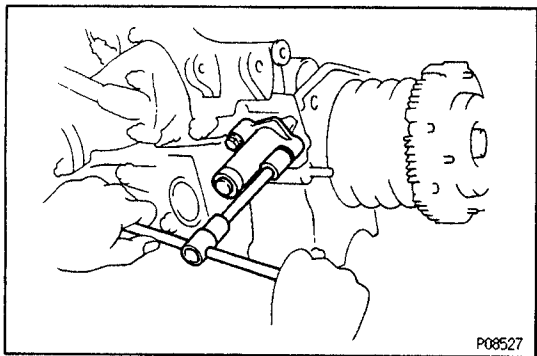
HINT: If the installation marks have disappeared, place a new installation mark on the timing belt before removing each part.

**16. SET NO.1 CYLINDER AT TDC/COMPRESSION**

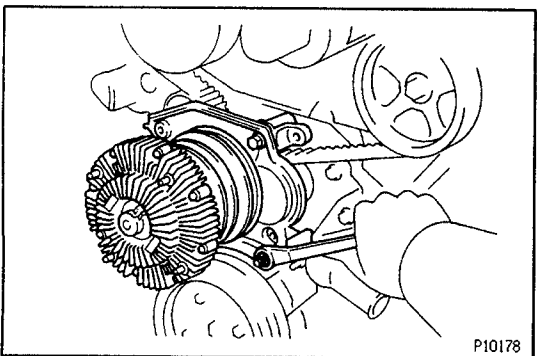
- (a) Turn the crankshaft pulley and align its groove with timing mark "0" of the No.1 timing belt cover.



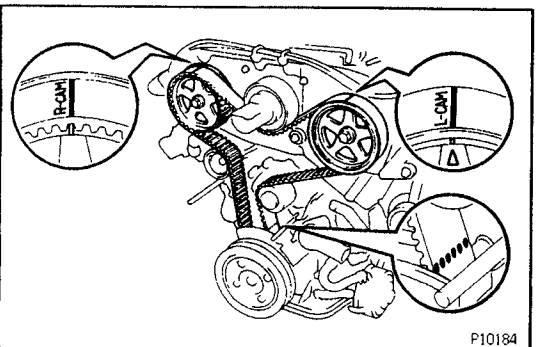
- (b) Check that the timing marks of the camshaft timing pulleys and No.3 timing belt cover are aligned. If not, turn the crankshaft pulley one revolution (360°).

**17. REMOVE TIMING BELT TENSIONER**

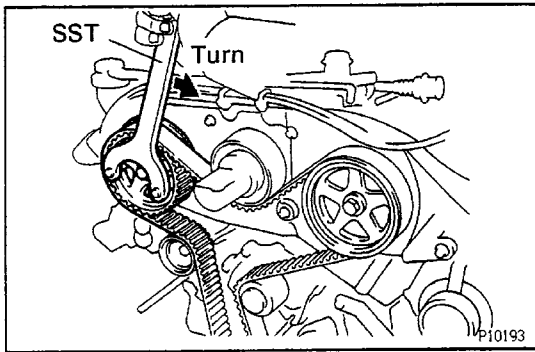
Alternately loosen the two bolts, and remove them, the belt tensioner- and dust boot.

**18. REMOVE FAN BRACKET**

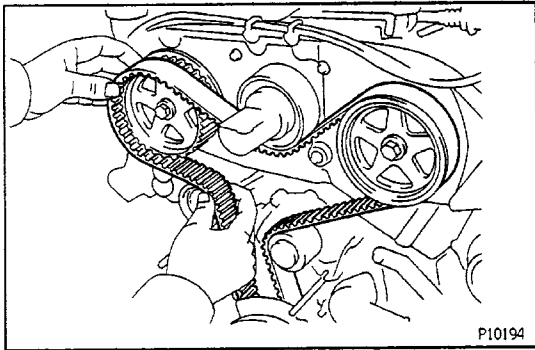
Remove the two bolts, nut, fan bracket and gasket.

**19. DISCONNECT TIMING BELT FROM CAMSHAFT TIMING PULLEYS**

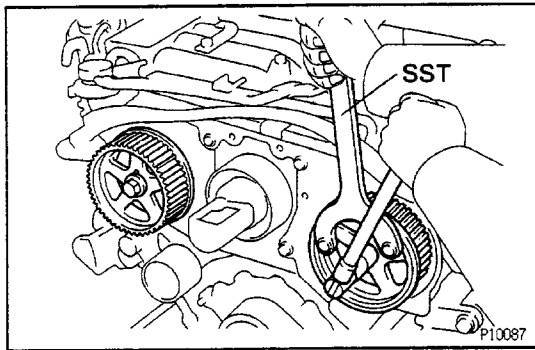
HINT (When re-using timing belt): If the installation marks have disappeared, before disconnect the timing belt from the camshaft timing pulleys, place new installation marks on the timing belt to match the timing marks of the camshaft timing pulleys, and place a new installation mark on the timing belt to match the end of the No. 1 timing belt cover.



- (a) Using SST, loosen the tension spring between the LH and RH camshaft timing pulleys by slightly turning the LH camshaft timing pulley clockwise.

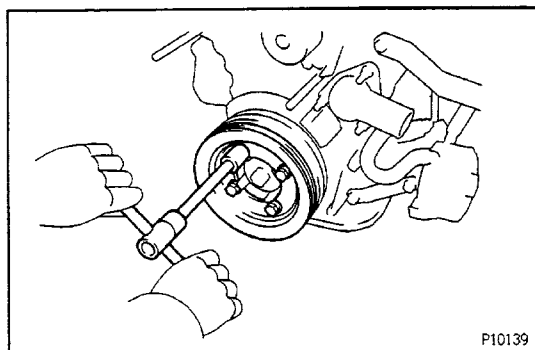


- (b) Disconnect the timing belt from the camshaft timing pulleys.



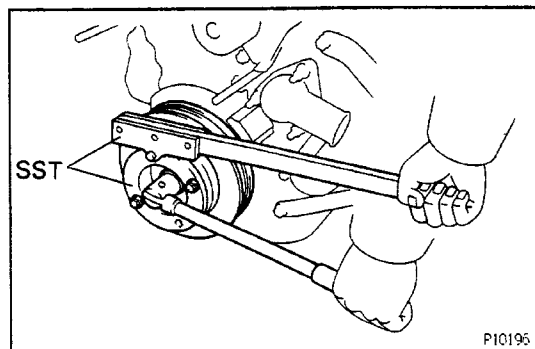
20. REMOVE CAMSHAFT TIMING PULLEYS

Using SST, remove the pulley bolt, timing pulley and knock pin. Remove the two timing pulleys.
SST 09278-54012

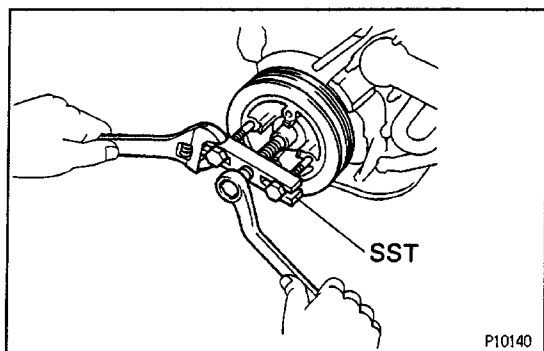


21. REMOVE CRANKSHAFT PULLEY

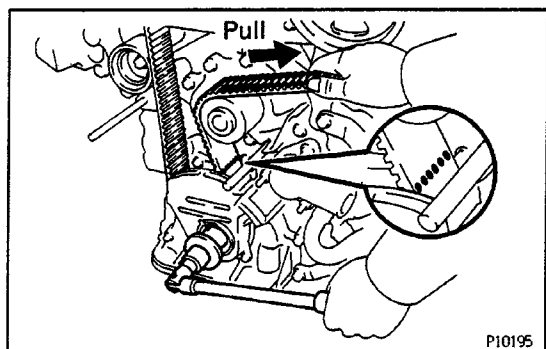
- (a) Remove the four bolts and PS drive belt pulley.



- (b) Using SST, loosen the pulley bolt.
SST 09213-58012 (90201-08131, 91111-50845),
09330-00021
- (c) Remove the SST and pulley bolt.

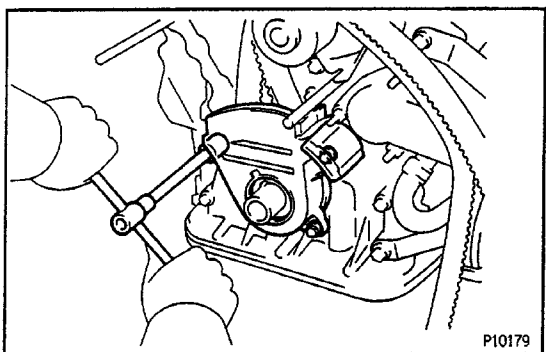


- (d) Using SST, remove the pulley.
SST 09213-31021

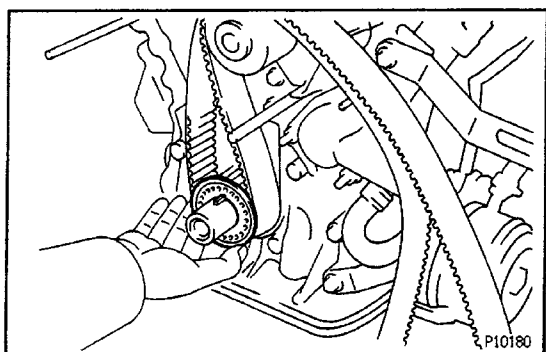


22. REMOVE NO.1 TIMING BELT COVER

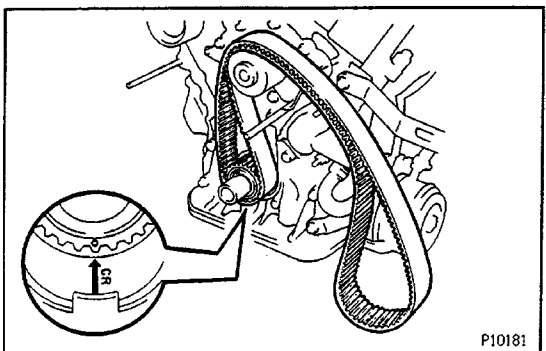
HINT (When re-using timing belt): Before removing the timing belt cover, using the crankshaft pulley bolt, turn the crankshaft and align the installation mark of the timing belt with the end of the timing belt cover.



Remove the three bolts, timing belt cover and gasket.

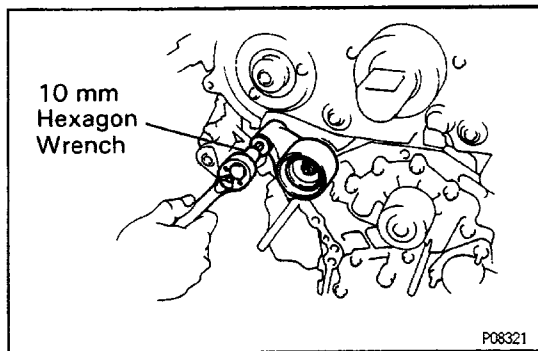


23. REMOVE TIMING BELT GUIDE

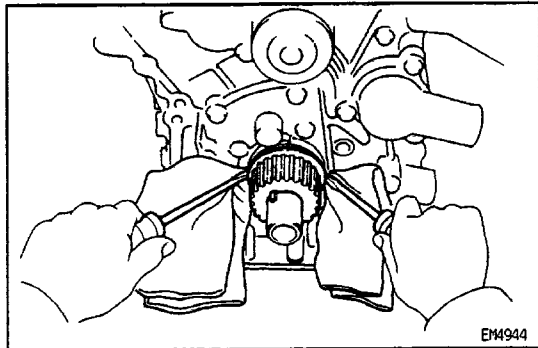


24. REMOVE TIMING BELT

HINT (When re-using timing belt): If the installation marks have disappeared, place a new installation mark on the timing belt to match the dot mark of the crankshaft timing pulley.

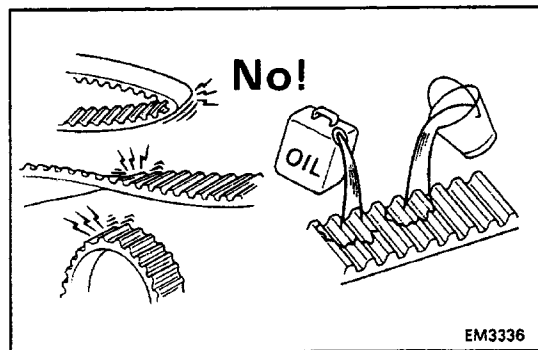
**25. REMOVE No.1 IDLER PULLEY**

Using a 10 mm hexagon wrench, remove the pivot bolt, idler pulley and plate washer.

**26. REMOVE CRANKSHAFT TIMING PULLEY**

If the timing pulley cannot be removed by hand, use two screwdrivers.

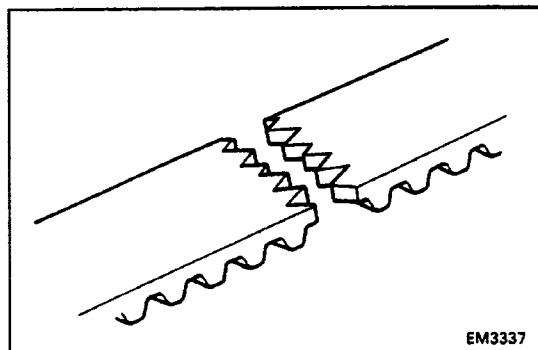
HINT: Position shop rags as shown to prevent damage.

**TIMING BELT COMPONENTS INSPECTION****1. INSPECT TIMING BELT****NOTICE:**

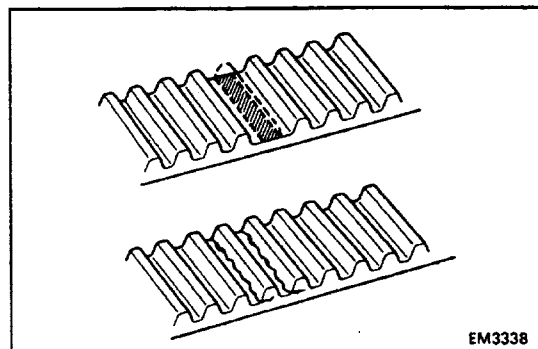
- Do not bend, twist or turn the timing belt inside out. Do not allow the timing belt to come into contact with oil, water or steam.
- Do not utilize timing belt tension when installing or removing the mounting bolt of the camshaft timing pulley.

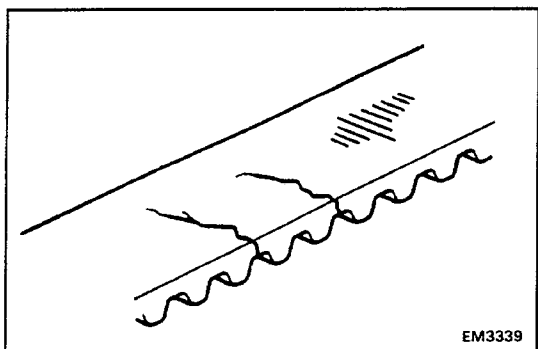
If there are any defects as shown in the illustration, check the following points:

- (a) Premature parting
- Check the proper installation.
 - Check the timing cover gasket for damage and proper installation.

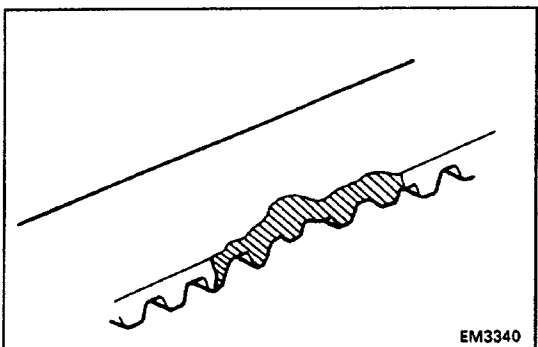


- (b) If the belt teeth are cracked or damaged, check to see if either camshaft or water pump is locked.

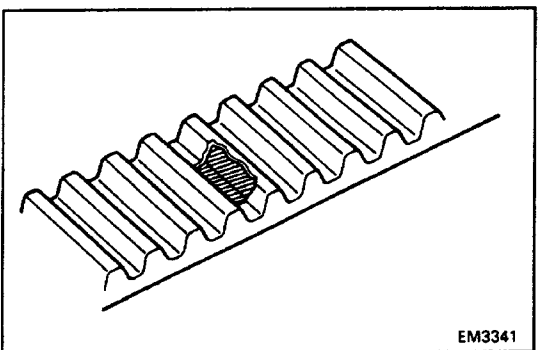




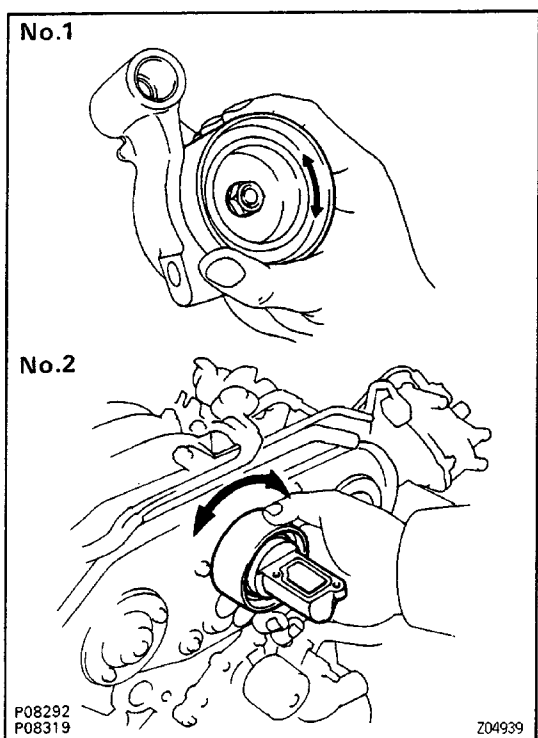
- (c) If there is noticeable wear or cracks on the belt face; check to see if there are nicks on the side of the idle pulley lock.



- (d) If there is wear or damage on only one side of the belt, check the belt guide and the alignment of each pulley.

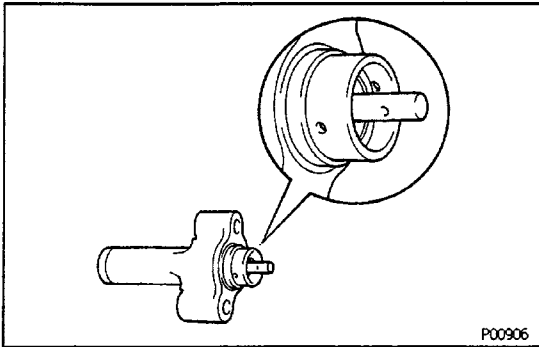


- (e) If there is noticeable wear on the belt teeth, check the timing cover for damage, correct gasket installation, and foreign material on the pulley teeth. If necessary, replace the timing belt.



2. INSPECT IDLER PULLEYS

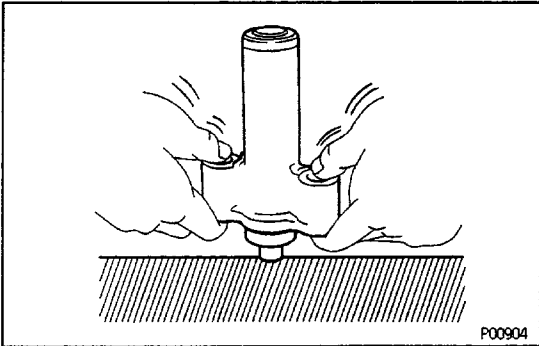
Check that the idler pulley turns smoothly.
If necessary, replace the idler pulley.



3. INSPECT TIMING BELT TENSIONER

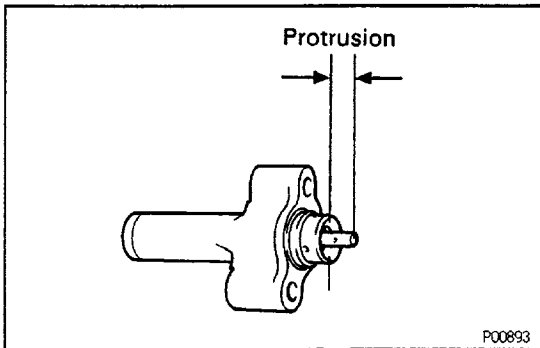
(a) Visually check tensioner for oil leakage.

HINT: If there is only the faintest trace of oil on the seal on the push rod side, the tensioner is all right. If leakage is found, replace the tensioner.



(b) Hold the tensioner with both hands, and push the push rod firmly against the floor or wall to check that it doesn't move.

If the push rod moves, replace the tensioner.

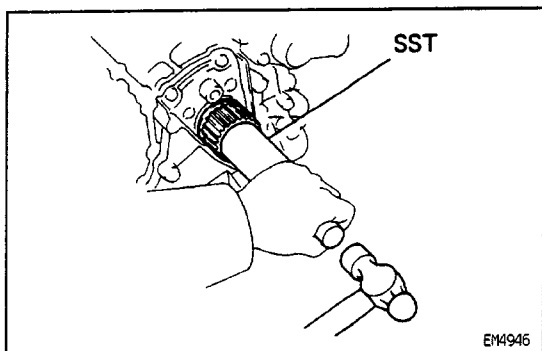


(c) Measure the protrusion of the push rod from the housing end.

Protrusion:

10.0 – 10.5 mm (0.394 – 0.413 in.)

If the protrusion is not as specified, replace the tensioner.

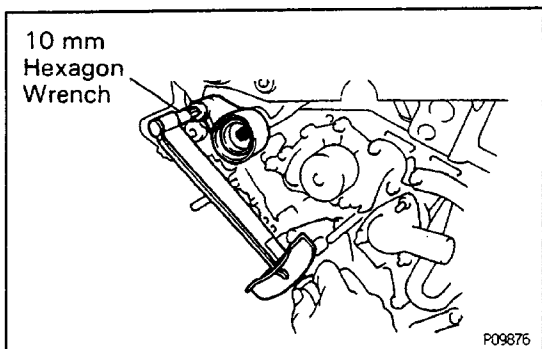


TIMING BELT INSTALLATION

(See Components)

1. INSTALL CRANKSHAFT TIMING PULLEY

- Align the timing pulley set key with the key groove of the pulley.
- Using SST and a hammer, tap in the timing pulley, facing the flange side inward.
SST 09214-60010

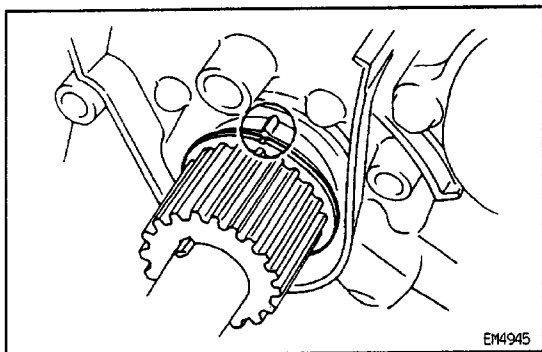


2. INSTALL NO.1 IDLER PULLEY

- Using a 10 mm hexagon wrench, install the plate washer and idler pulley with the pivot bolt.

Torque: 34 N-m (350 kgf-cm, 25 ft-lbf)

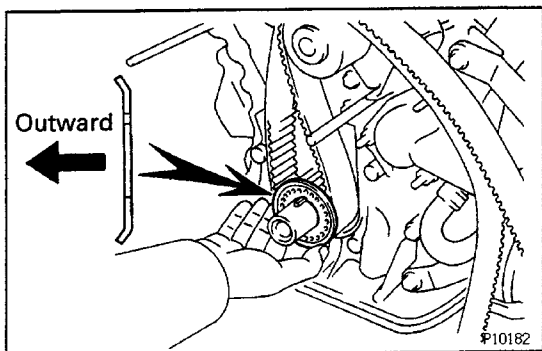
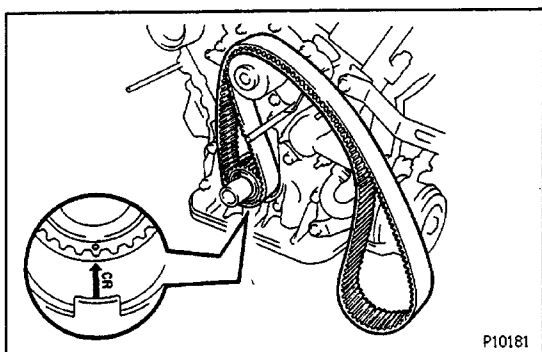
- Check that the pulley bracket moves smoothly.



3. TEMPORARILY INSTALL TIMING BELT

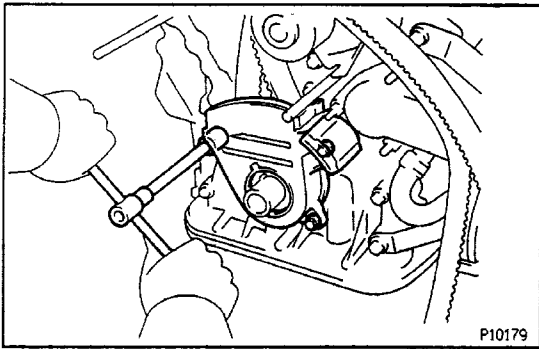
NOTICE: The engine should be cold.

- Using the crankshaft pulley bolt, turn the crankshaft and align the timing marks of the crankshaft timing pulley and oil pump body.
- Remove any oil or water on the crankshaft timing pulley and water pump pulley, and keep them clean.
- Align the installation mark on the timing belt with the dot mark of the crankshaft timing pulley.
- Install the timing belt on the crankshaft timing pulley and water pump pulley.



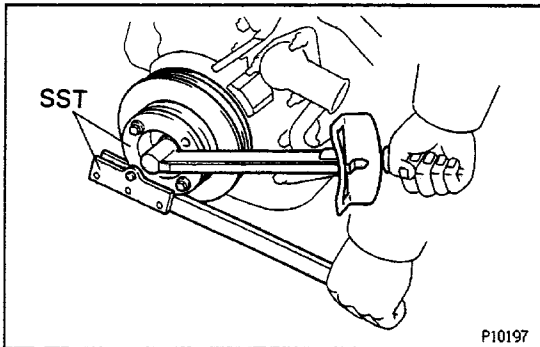
4. INSTALL TIMING BELT GUIDE

Install the belt guide, facing the cup side outward.



5. INSTALL NO.1 TIMING BELT COVER

- (a) Install the gasket to the timing belt cover.
- (b) Install the timing belt cover with the three bolts.

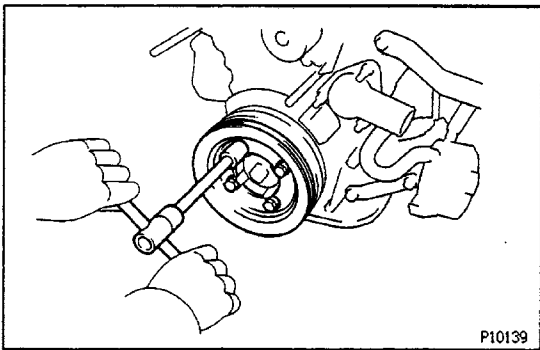


6. INSTALL CRANKSHAFT PULLEY

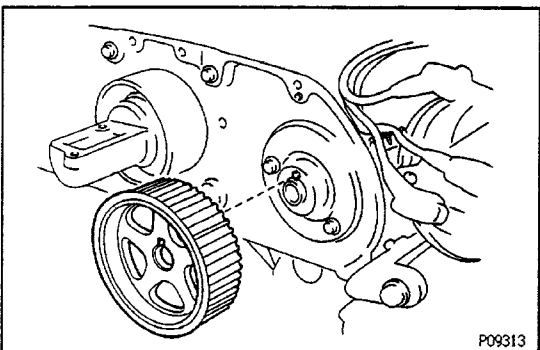
- (a) Align the pulley set key with the key groove of the crankshaft pulley.
- (b) Temporarily install the pulley bolt.
- (c) Using SST, tighten the pulley bolt.

SST 09213-58012 (90201 -08131, 91111 -50845),
09330-00021

Torque: 245 N-m (2,500 kgf-cm, 181 ft-lbf)

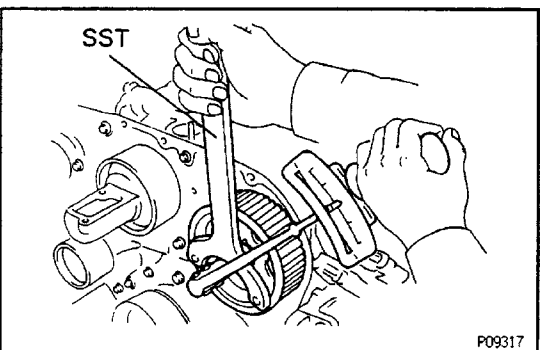


- (d) Install the PS drive belt pulley with the four bolts.



7. INSTALL LH CAMSHAFT TIMING PULLEY

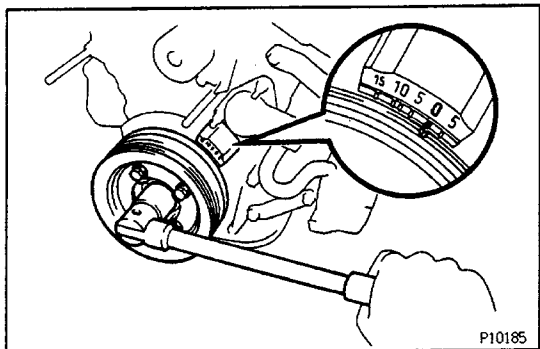
- (a) Install the knock pin to the camshaft.
- (b) Align the knock pin hole of the camshaft with the knock pin groove of the timing pulley.
- (c) Slide the timing pulley on the camshaft, facing the flange side outward.



- (d) Using SST, install the pulley bolt.

SST 09278-54012

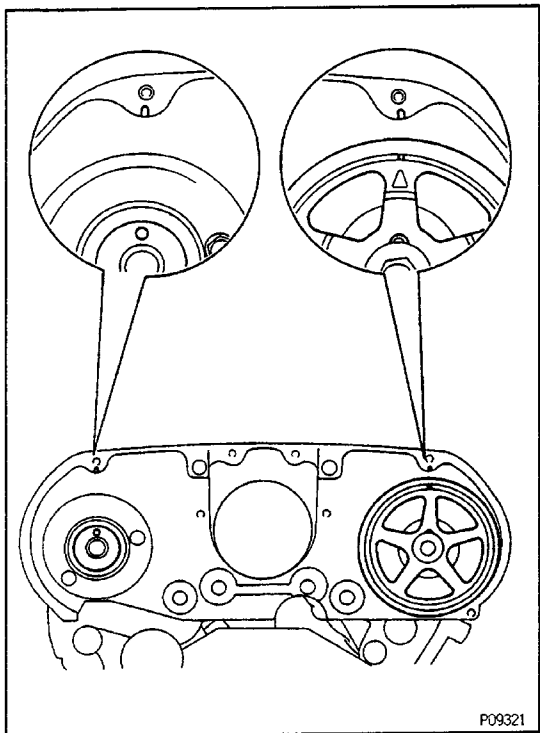
Torque: 108 N-m (1,100 kgf-cm, 80 ft-lbf)



8. SET NO.1 CYLINDER TO TDC/COMPRESSION

(a) (Crankshaft Position)

Turn the crankshaft pulley, and align its groove with timing mark "0" of the No.1 timing belt cover.

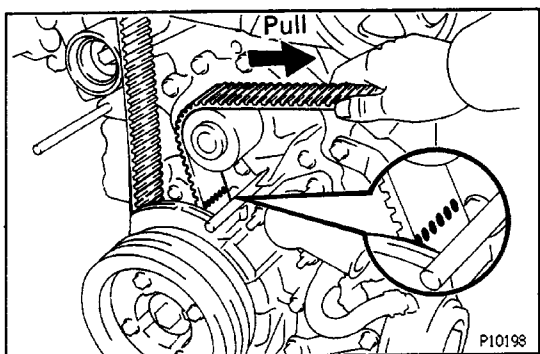


(b) (RH Camshaft Pulley Position)

Turn the camshaft, align the knock pin hole of the camshaft with the timing mark of the No.3 timing belt cover.

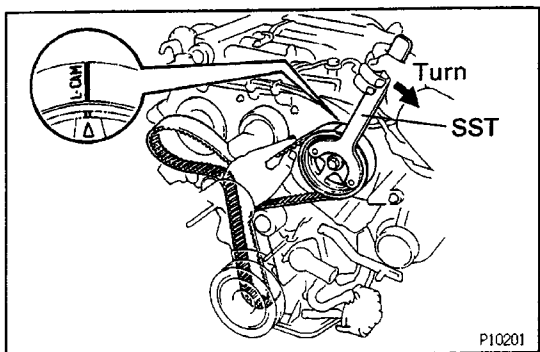
(c) (LH Camshaft Pulley Position)

Turn the camshaft timing pulley, align the timing marks of the camshaft timing pulley and No.3 timing belt cover.



9. CONNECT TIMING BELT TO LH CAMSHAFT TIMING PULLEY

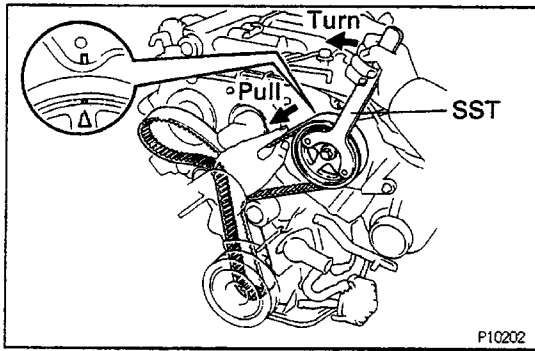
(a) Check that the installation mark on the timing belt is aligned with the end of the No.1 timing belt cover.



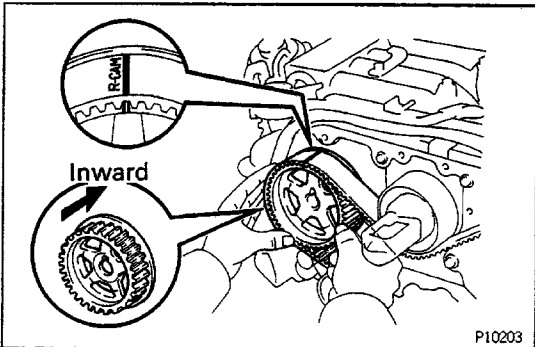
(b) Remove any oil or water on the LH camshaft timing pulley, and keep it clean.

(c) Using SST, slightly turn the LH camshaft timing pulley clockwise. Align the installation mark on the timing belt with the timing mark of the camshaft timing pulley, and hang the timing belt on the LH camshaft timing pulley.

SST 09278-54012

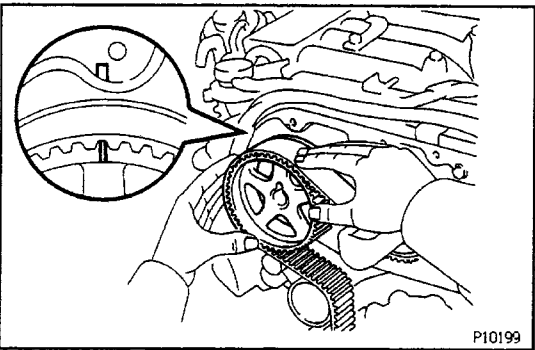


- (d) Using SST, align the timing marks of the LH camshaft pulley and No.3 timing belt cover.
SST 09278-54012
- (e) Check that the timing belt has tension between the crankshaft timing pulley and LH camshaft timing pulley.

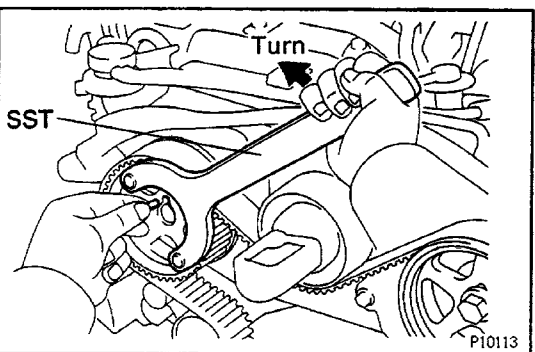


10. INSTALL RH CAMSHAFT TIMING PULLEY AND TIMING BELT

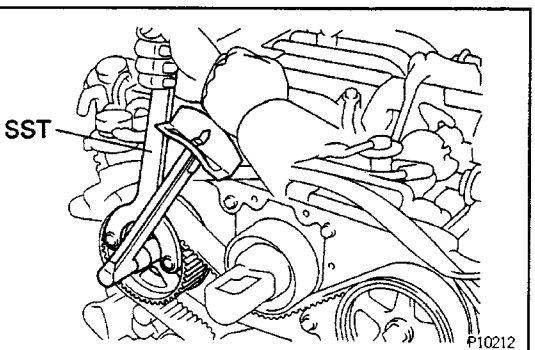
- (a) Remove any oil or water on the RH camshaft timing pulley, No. 1 idler pulley and No.2 idler pulley, and keep them clean.
- (b) Align the installation mark on the timing belt with the timing mark of the RH camshaft timing pulley, and hang the timing belt on the RH camshaft timing pulley, facing the flange side inward.



- (c) Slide the RH camshaft timing pulley on the camshaft.
- (d) Align the timing marks of the RH camshaft timing pulley and No.3 timing belt cover.

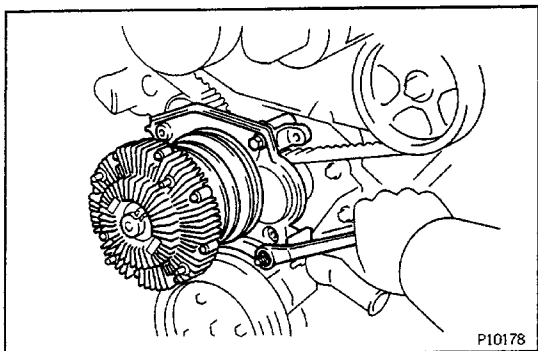


- (e) Using SST, align the knock pin hole of the camshaft with the knock pin groove of the pulley and install the knock pin.
SST 08278-54012



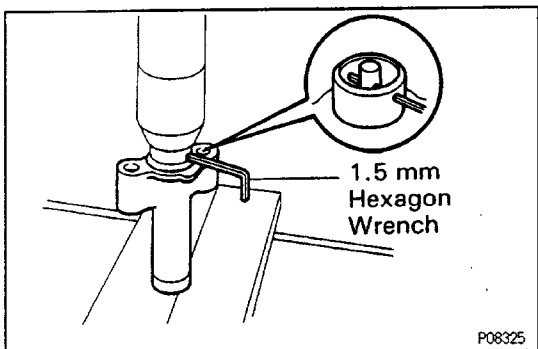
- (f) Using SST, install the pulley bolt.
SST 09278-54012

Torque: 108 N-m (1,100 kgf-cm, 80 ft-lbf)



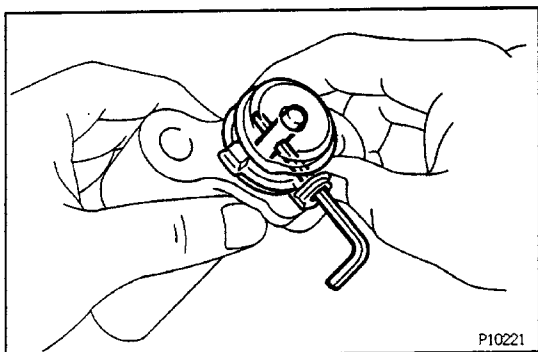
11. INSTALL FAN BRACKET

- (a) Install the gasket to the fan pulley bracket.
- (b) Install the fan bracket with the two bolts and nut.
Torque: 41 N-m (420 kgf-cm, 30 ft-lbf)

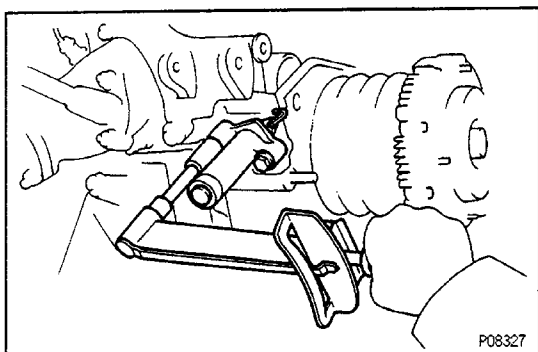


12. SET TIMING BELT TENSIONER

- (a) Using a press, slowly press in the push rod using 981 – 9,807 N (100 – 1,000 kgf, 200 – 2,205 lbf) of force.
- (b) Align the holes of the push rod and housing, pass a 1.5 mm hexagon wrench through the holes to keep the setting position of the push rod.
- (c) Release the press.

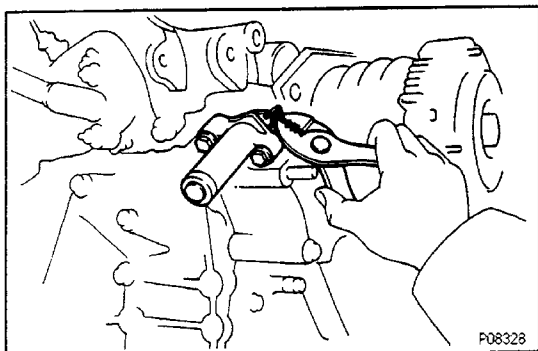


- (d) Install the dust boot to the tensioner.

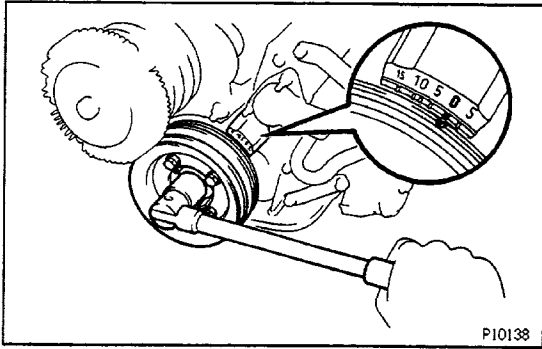


13. INSTALL TIMING BELT TENSIONER

- (a) Temporarily install the belt tensioner with the two bolts.
- (b) Alternately tighten the two bolts.
Torque: 26 N-m (270 kgf-cm, 20 ft-lbf)



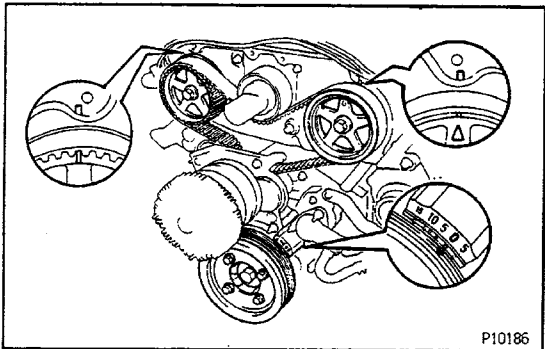
- (c) Using pliers, remove the 1.5 mm hexagon wrench from the belt tensioner.



14. CHECK VALVE TIMING

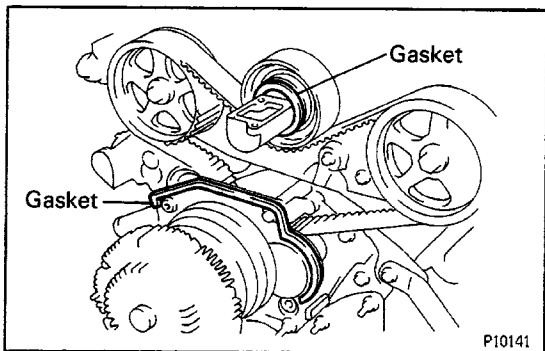
- (a) Slowly turn the crankshaft pulley two revolutions from TDC to TDC.

NOTICE: Always turn the crankshaft pulley clockwise.



- (b) Check that each pulley aligns with the timing marks as shown in the illustration.

If the timing marks do not align, remove the timing belt and reinstall it.

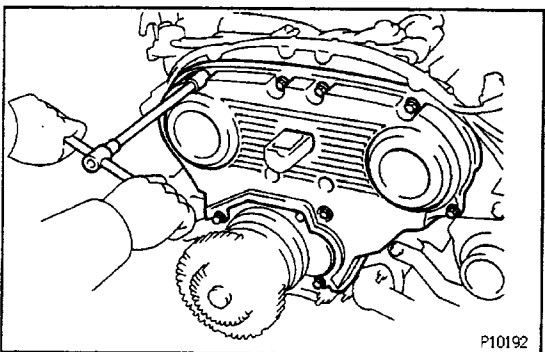


15. INSTALL NO.2 TIMING BELT COVER

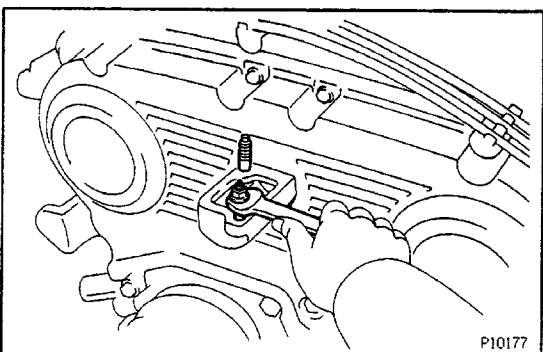
- (a) Install the gasket to the No.2 idler pulley.

- (b) Install the gasket to the fan bracket.

- (c) Install the gasket to the timing belt cover.



- (d) Install the timing belt cover with the eleven bolts.



- (e) Using the two water outlet nuts, install the two stud bolts.

- (f) Connect the four clamps on the high-tension cords to the mounting bolts of the No.2 timing belt cover.

16. INSTALL WATER OUTLET

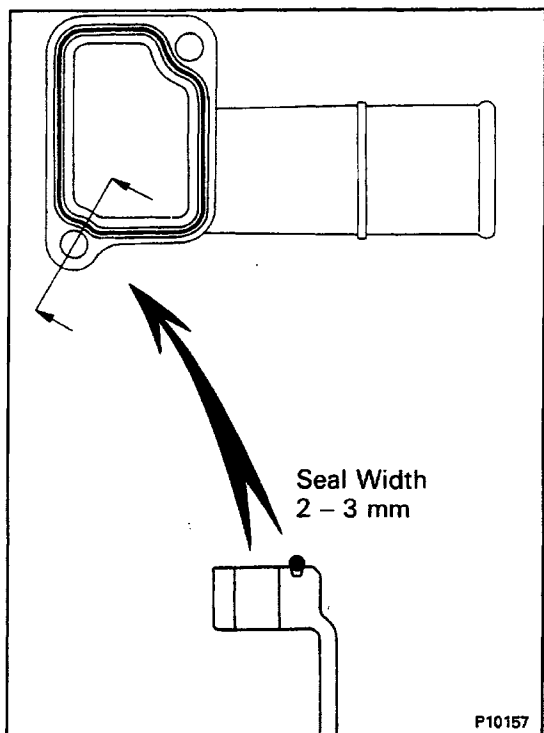
(a) Remove any old packing (FIPG) material and be careful not to drop any oil on the contact surfaces of the water outlet and the water outlet housing on the No.2 idler pulley.

- Using a razor blade and gasket scraper, remove all the old packing (FIPG) material from the gasket surfaces and sealing groove.
- Thoroughly clean all components to remove all the loose material.
- Using a non-residue solvent, clean both sealing surfaces.

(b) Apply seal packing to the sealing groove of the water outlet as shown in the illustration.

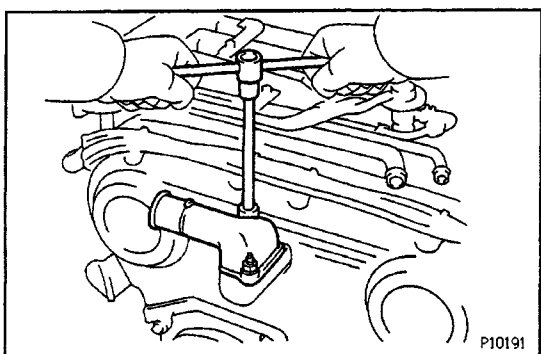
Seat packing:**Part No. 08826-00100 or equivalent**

- Install a nozzle that has been cut to a 2 – 3 mm (0.08 – 0.12 in.) opening.
- Parts must be assembled within 5 minutes of application. Otherwise the material must be removed and reapplied.
- Immediately remove nozzle from the tube and reinstall cap.



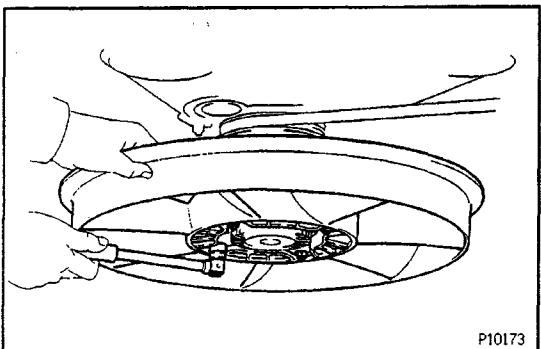
(c) Install the water outlet with the two bolts. Alternately tighten the bolts.

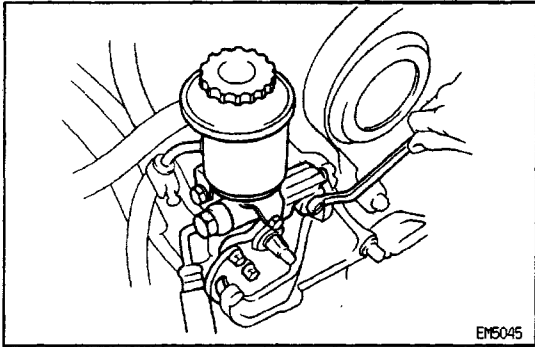
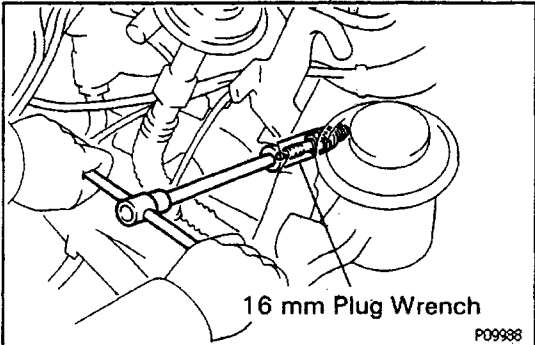
Torque: 8.3 N-m (85 kgf-cm, 73 in.-lbf)

17. INSTALL GENERATOR DRIVE BELT**18. INSTALL COOLING FAN**

Install the cooling fan with the four nuts.

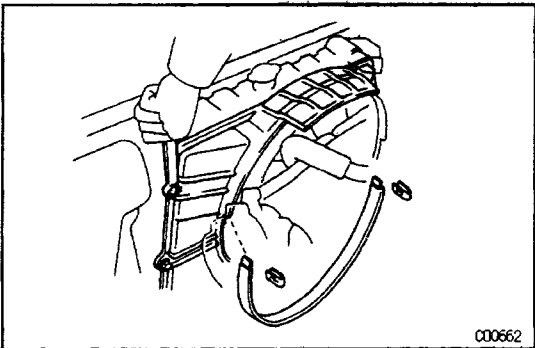
Torque: 5.4 N-m (55 kgf-cm, 48in.-lbf)

19. INSTALL A/C DRIVE BELT

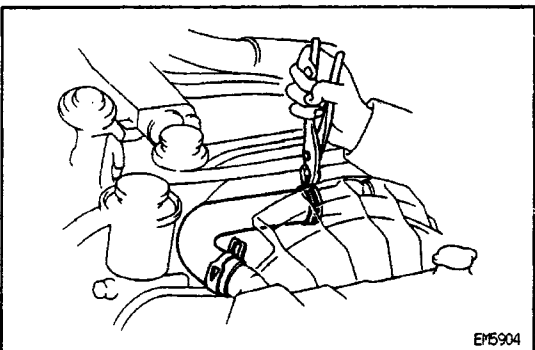
**20. INSTALL PS PUMP****21. INSTALL PS PUMP PULLEY AND DRIVE BELT****22. INSTALL SPARK PLUGS**

Using a 16 mm plug wrench, install the six spark plugs.

Torque: 18 N-m (180 kgf-cm, 13 ft-lbf)

23. CONNECT HIGH-TENSION CORDS TO SPARK PLUGS**24. CONNECT NO.2 AND NO.3 AIR HOSES TO AIR PIPE****25. INSTALL RADIATOR**

- (a) Install the radiator with the four bolts.
- (b) Install the No.1 fan shroud with the four bolts.
- (c) Install the No.2 fan shroud with the two clips.

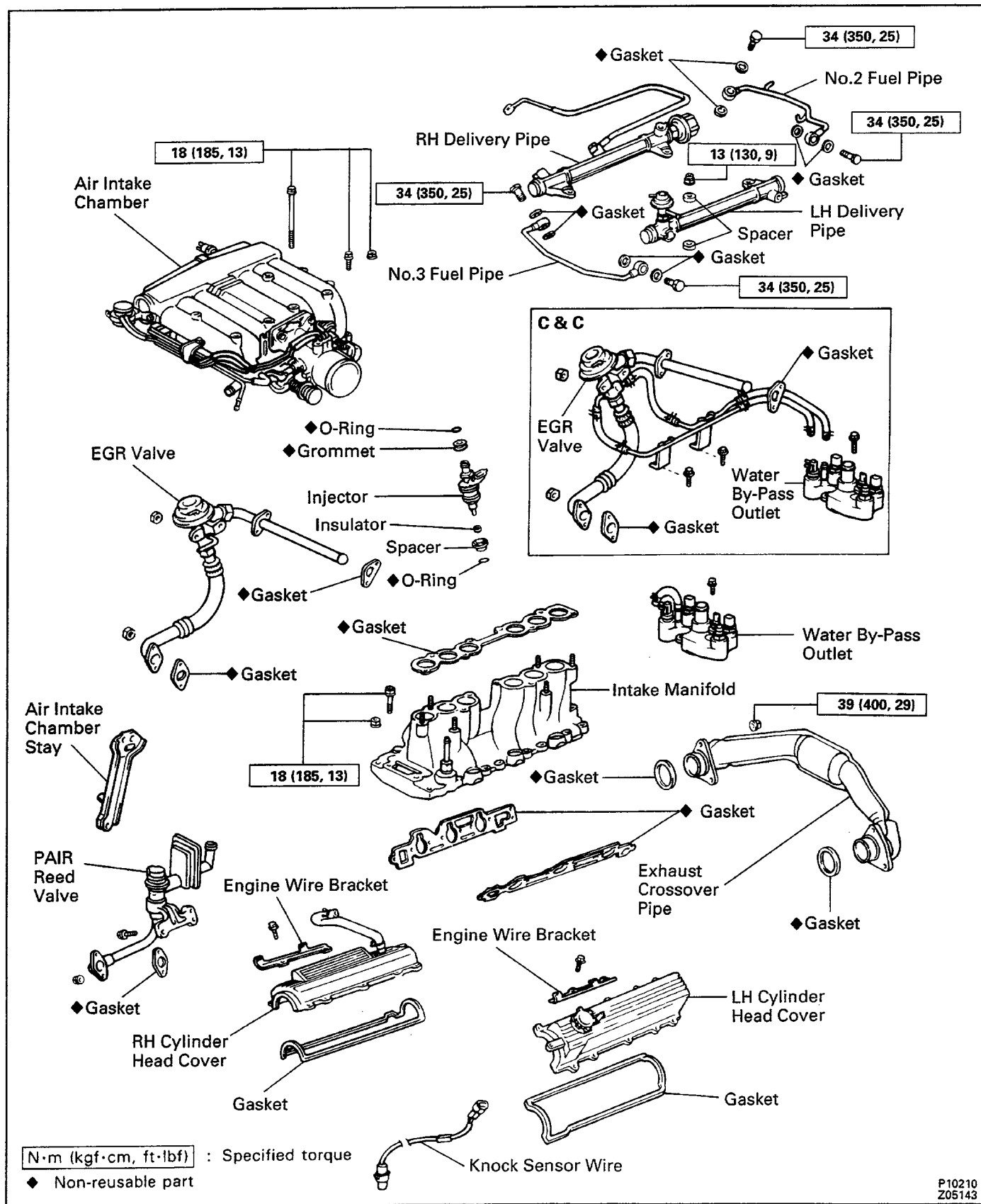


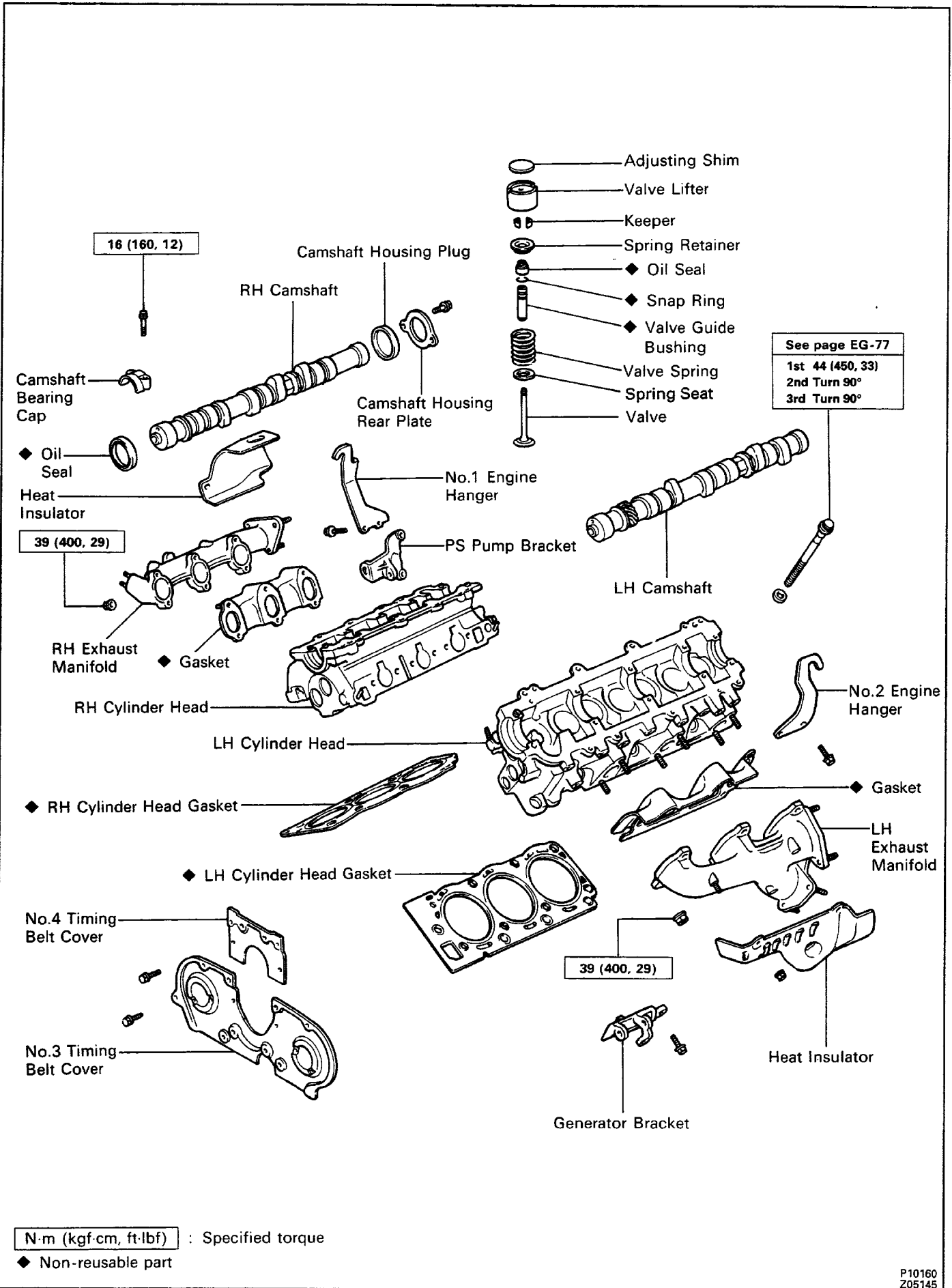
- (d) Install the radiator hoses.
- (e) (A/T only)
Connect the oil cooler hoses.
- (f) Connect the reservoir tank hose.

26. CONNECT CABLE TO NEGATIVE TERMINAL OF BATTERY**27. FILL WITH ENGINE COOLANT****28. START ENGINE AND CHECK FOR LEAKS****29. RECHECK ENGINE COOLANT LEVEL**

CYLINDER HEAD COMPONENTS

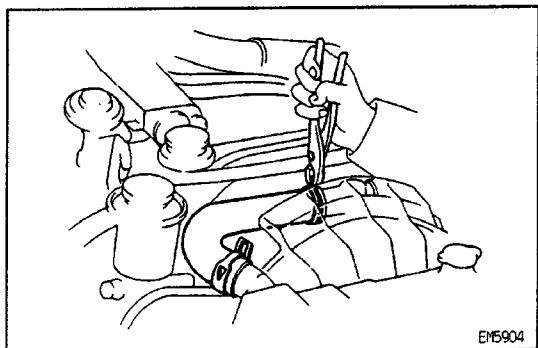
EG1E9-03





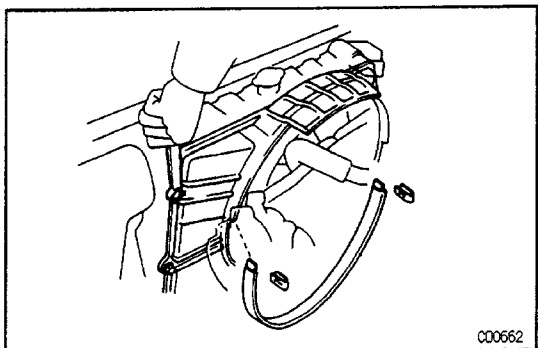
CYLINDER HEADS REMOVAL

1. DISCONNECT CABLE FROM NEGATIVE TERMINAL OF BATTERY
2. REMOVE AIR CLEANER AND HOSE
3. DRAIN ENGINE COOLANT

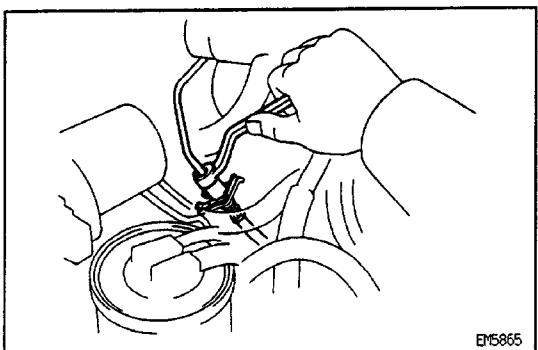


4. REMOVE RADIATOR

- (a) Disconnect the reservoir hose.
- (b) (A/T only)
Disconnect the oil cooler hoses.
- (c) Remove the radiator hoses.

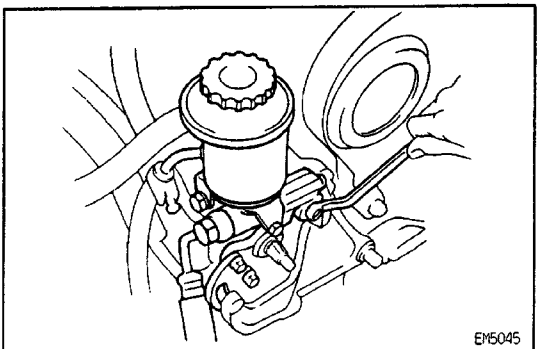


- (d) Remove the two clips and No.2 fan shroud.
- (e) Remove the four bolts and No.1 fan shroud.
- (f) Remove the four bolts and radiator.

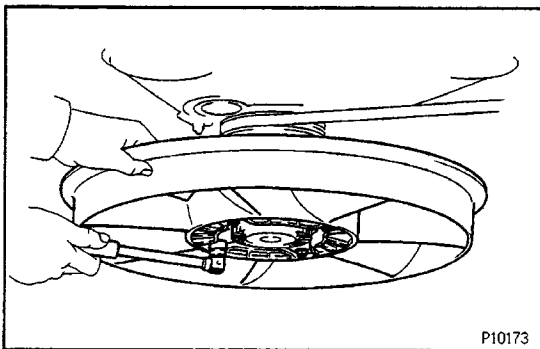


5. (M/T only)

DISCONNECT CLUTCH RELEASE CYLINDER HOSE



6. REMOVE PS DRIVE BELT AND PUMP PULLEY
7. DISCONNECT PS PUMP FROM ENGINE
8. REMOVE A/C DRIVE BELT

**9. REMOVE COOLING FAN**

Remove the four nuts and cooling fan.

10. REMOVE GENERATOR DRIVE BELT**11. DISCONNECT STRAP, WIRES, CONNECTORS.
HOSES AND CABLES**

(a) Disconnect the following strap, wires and connectors:

- Ground strap from LH fender apron
- Generator connector and wire
- Igniter connector
- Oil pressure sender gauge connector
- Ground strap from engine rear side
- ECM connectors
- VSV connectors
- A/C compressor connector
- (M/T only)
Starter relay connector
- Solenoid resistor connector
- Data link connector 1
(w/ ADD)

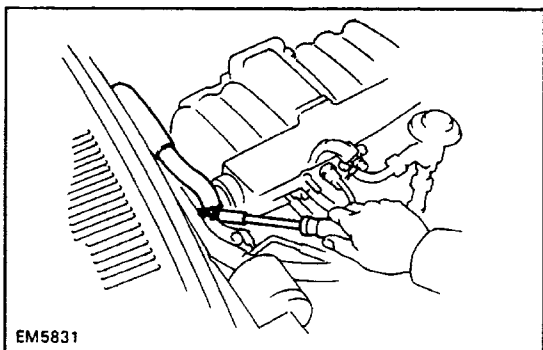
ADD switch connector

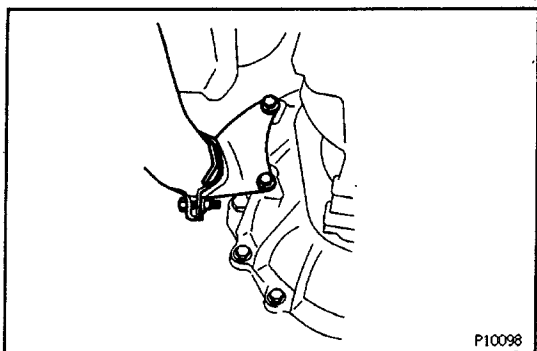
(b) Disconnect the following hoses:

- PS air hoses from gas filter and air pipe
- Brake booster hose
- (w/ Cruise Control System)
Cruise control vacuum hose
- Charcoal canister hose from canister
- VSV vacuum hoses

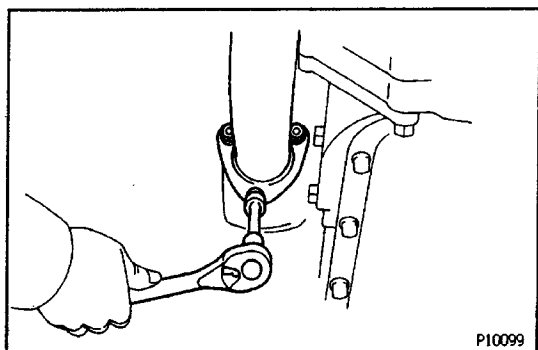
(c) Disconnect the following cables:

- Accelerator cable
- (A/T only)
Throttle cable
- (w/ Cruise Control System)
Cruise control cable

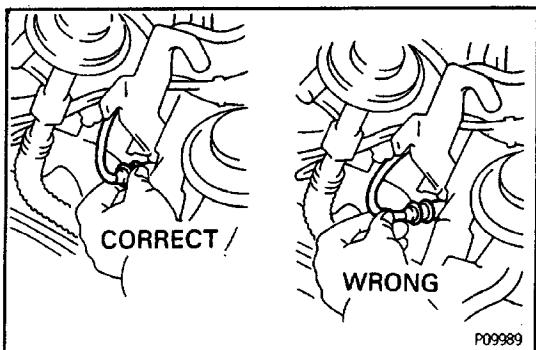
12. DISCONNECT HEATER HOSES**13. DISCONNECT FUEL INLET AND OUTLET HOSES**

**14. REMOVE FRONT EXHAUST PIPE**

- (a) Disconnect the heated oxygen sensor connector.
- (b) Loosen the pipe clamp bolt. w
- (c) Remove the two, bolts and pipe bracket.



- (d) Remove the three nuts, and disconnect the exhaust pipe from the exhaust manifold. Remove the gasket.
- (e) Remove the two bolts, joint retainer, exhaust pipe and gasket from the catalytic converter.

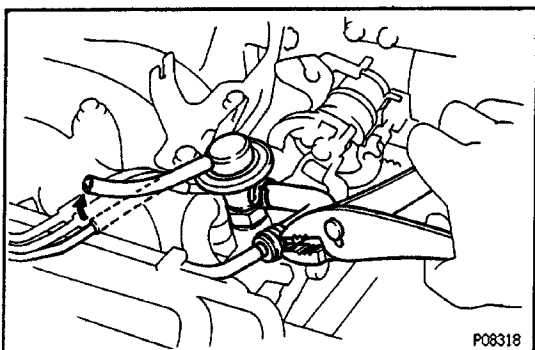
**15. DISCONNECT HIGH-TENSION CORDS FROM SPARK PLUGS**

Disconnect the high - tension cords at the rubber boot. Do not pull on the cords.

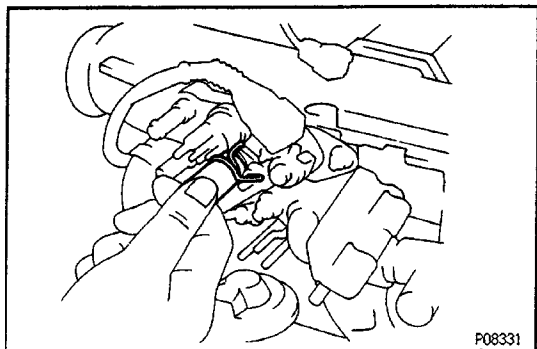
NOTICE: Pulling on or bending the cords may damage the conductor inside.

16. REMOVE DISTRIBUTOR**17. REMOVE TIMING BELT**

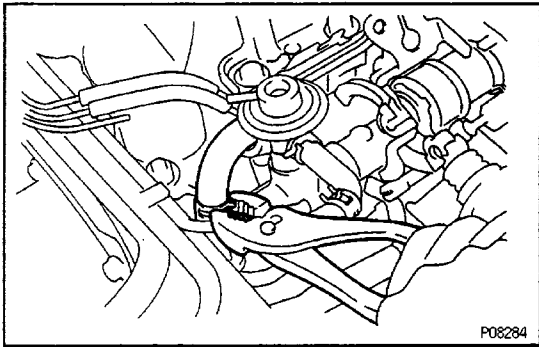
(See steps 5 to 7, 13 to 20 and 25 on pages [EG2-33](#) to 36 and 38)

18. REMOVE AIR INTAKE CHAMBER

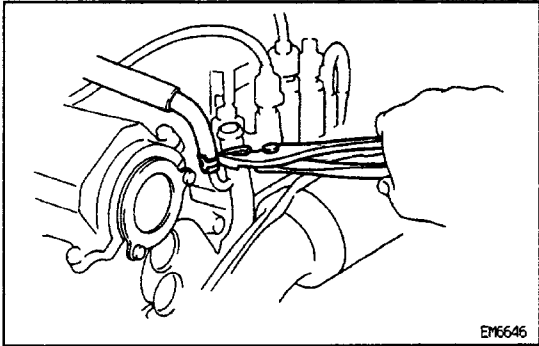
- (a) Disconnect the throttle position sensor connector.
- (b) Disconnect the charcoal canister vacuum hose from the throttle body.
- (c) Disconnect the vacuum and fuel hoses from the pressure regulator.



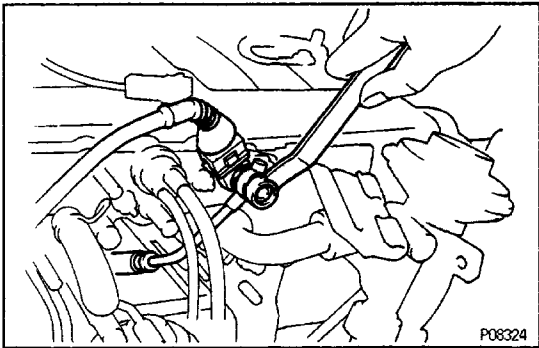
- (d) Disconnect the PCV hose from the union.



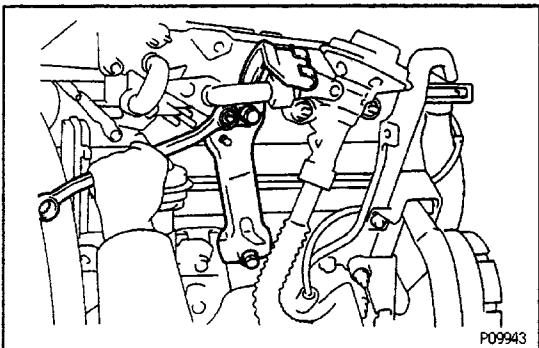
- (e) Disconnect the No.4 water by-pass hose from the union of intake manifold.



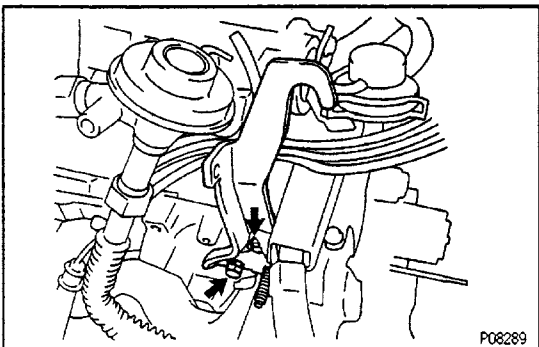
- (f) Remove the No.5 water by-pass hose from the water by-pass pipe.



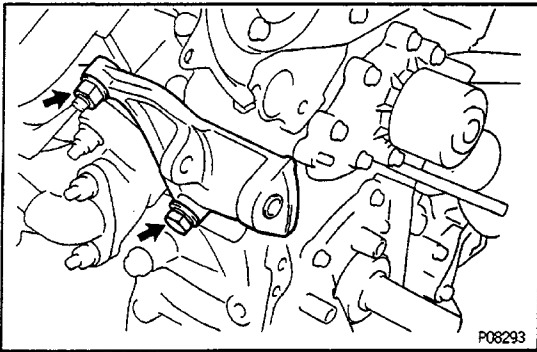
- (g) Disconnect the cold start injector connector.
 (h) Disconnect the vacuum hose from the gas filter.
 (i) Remove the union bolt, two gaskets and cold start injector tube.
 (j) (Calif. and C & C)
 Disconnect the EGR gas temperature sensor connector.
 (k) Disconnect the EGR vacuum hoses from the air pipe and EGR vacuum modulator.



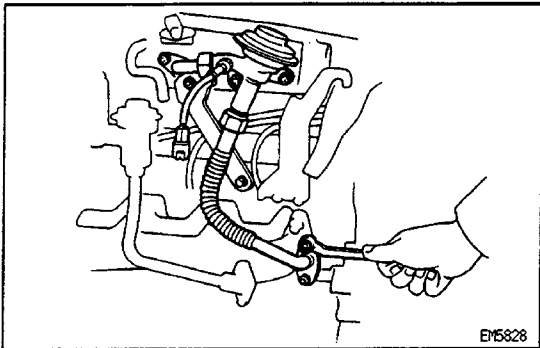
- (i) Remove the nut, two bolts, intake chamber stay and throttle cable bracket.



- (m) Remove the two bolts and No. 1 engine hanger.



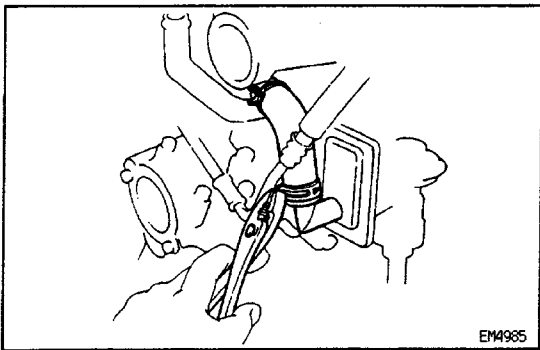
(n) Remove the nut, bolt and PS pump bracket.



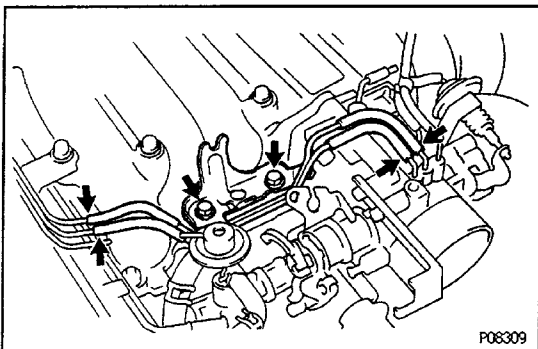
(o) (C & C only)

Disconnect the two water by-pass hoses from the EGR valve.

(p) Remove the five nuts, the EGR valve and pipes assembly and two gaskets.

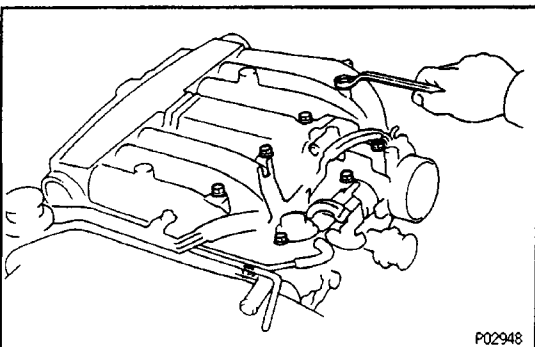


(q) Disconnect the No.1 air hose from the PAIR reed valve.



(r) Disconnect the four vacuum hoses from the air pipes.

(s) Remove the two bolts and accelerator cable bracket.



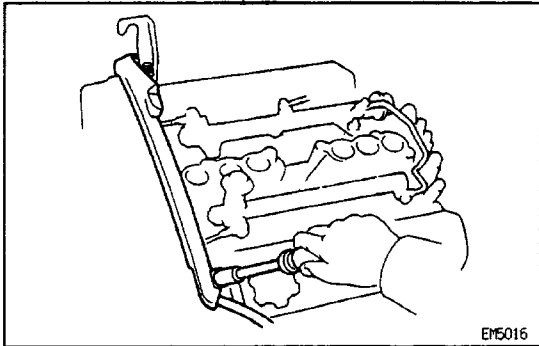
(t) Remove the six bolts, two nuts, intake chamber and gasket.

19. REMOVE ENGINE WIRE

(a) Disconnect the following:

- Knock sensor connector
- Cold start injector time switch connector
- ECT sensor connector
- ECT sender gauge connector
- No.1 ECT switch connector
- RH ground strap from No.3 camshaft bearing cap
- Injector connectors

(b) Remove the two bolts and engine wire.

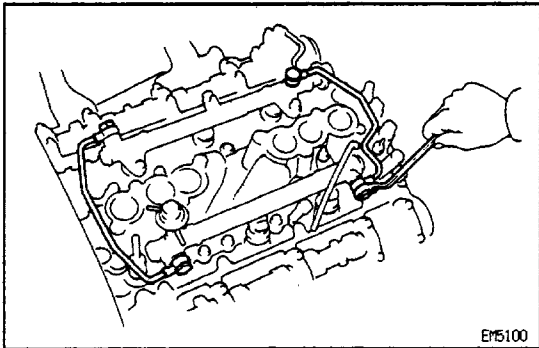


EM5016

20. REMOVE NO.2 AND NO.3 FUEL PIPES

(a) Disconnect the vacuum hose from the TVV.

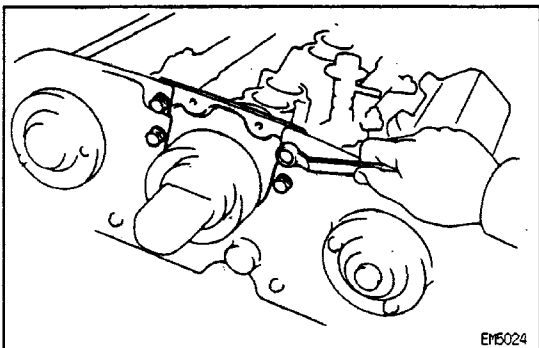
(b) Remove the four union bolts, eight gaskets, No.2 and No.3 fuel pipes.



EM5100

21. REMOVE NO.4 TIMING BELT COVER

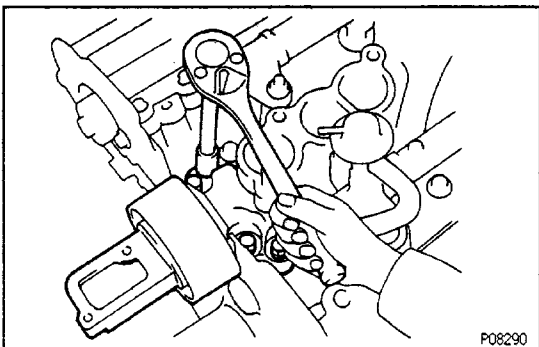
Remove the four bolts and timing belt cover.



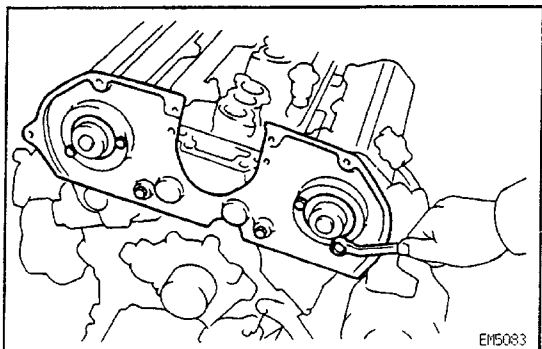
EM5024

22. REMOVE NO.2 IDLER PULLEY

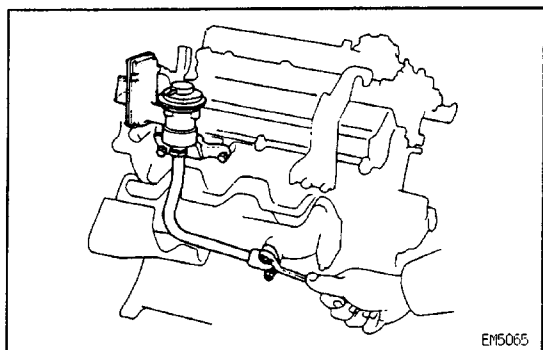
Remove the four bolts and idler pulley.



P08290



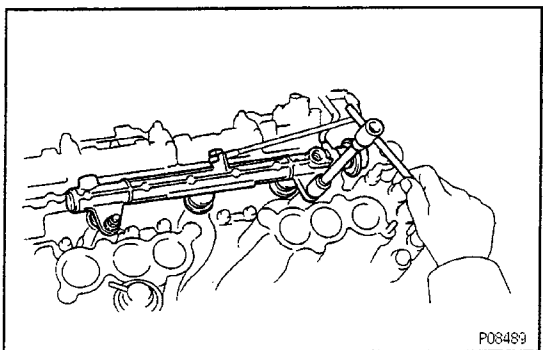
- 23. REMOVE No.3 TIMING BELT COVER**
Remove the six bolts and timing belt cover.



- 24. REMOVE VSV BRACKET AND VSV FROM PAIR REED VALVE**

- 25. REMOVE PAIR REED VALVE AND NO.1 AIR INJECTION MANIFOLD**

Remove the two bolts, two nuts, the PAIR reed valve, injection manifold assembly and gasket.



- 26. REMOVE DELIVERY PIPES AND INJECTORS**

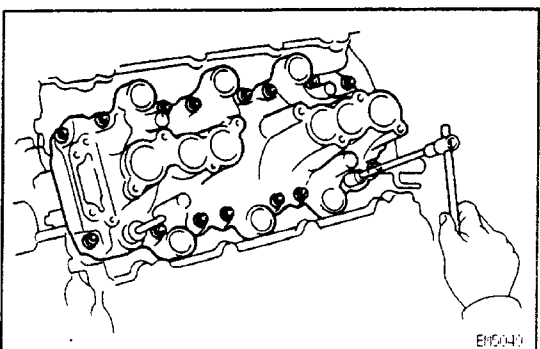
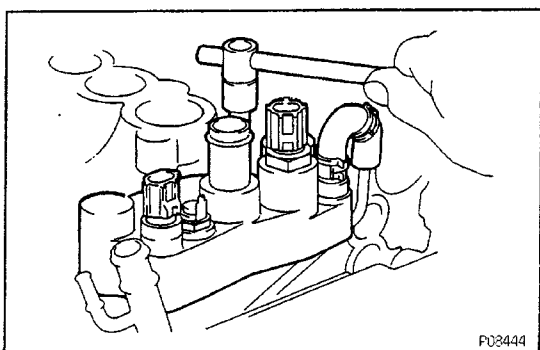
- Remove the four nuts holding the delivery pipes to the intake manifold.
- Remove the the two delivery pipes and six injectors assemblies.

NOTICE: Be careful not to drop the injectors when removing the delivery pipes.

- Remove the four insulators, ten spacers and four O-rings from the cylinder head.
- Pull out the six injectors from the delivery pipes.
- Remove the O-ring and grommet from each injector.

- 27. REMOVE WATER BY-PASS OUTLET**

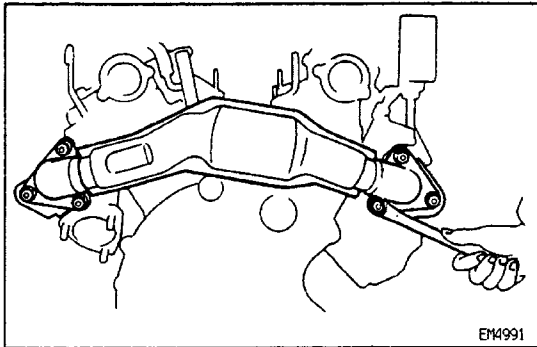
- Disconnect the No.3 water hose from the No. 1 water by-pass pipe.
- Remove the two nuts, water by-pass outlet and gasket.



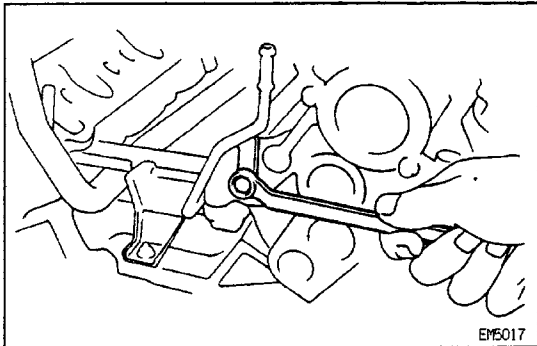
- 28. REMOVE INTAKE MANIFOLD**

Remove the twelve bolts, four nuts, intake manifold and two gaskets.

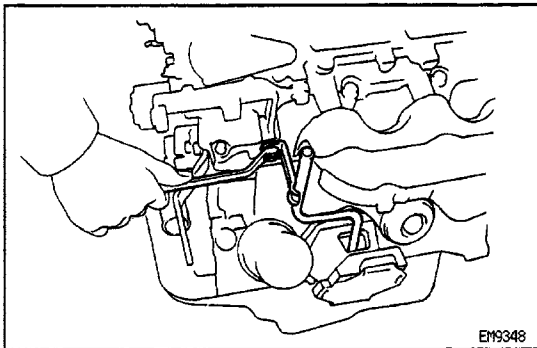
- 29. REMOVE KNOCK SENSOR WIRE**

**30. REMOVE EXHAUST CROSSOVER PIPE**

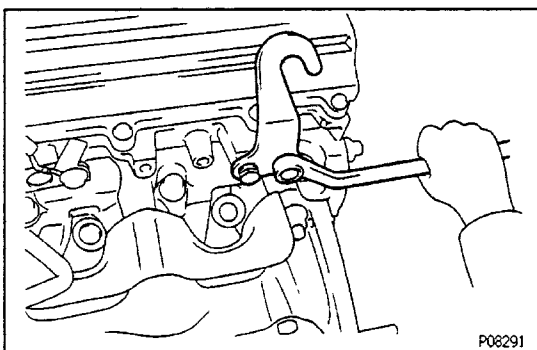
Remove the six nuts, crossover pipe and two gaskets.

**31. DISCONNECT WATER BY-PASS PIPE FROM RH CYLINDER HEAD**

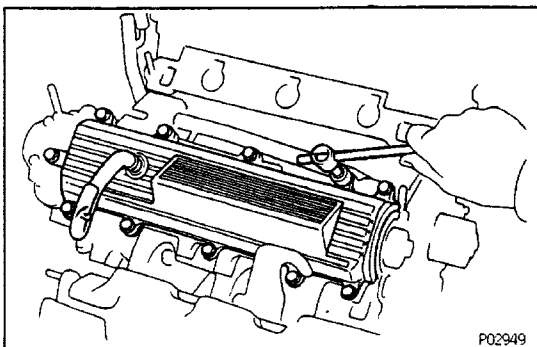
Remove the bolt, and disconnect the water by-pass pipe from the RH cylinder head.

32. REMOVE GENERATOR**33. REMOVE OIL DIPSTICK GUIDE AND DIPSTICK**

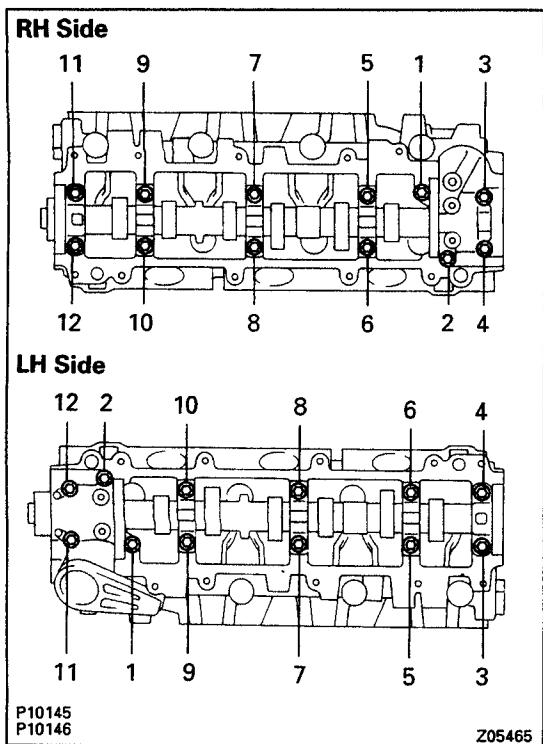
- (a) Remove the oil dipstick.
- (b) Remove the bolt and oil dipstick guide.

**34. REMOVE NO.2 ENGINE HANGER FROM LH CYLINDER HEAD**

Remove the two bolts and engine hanger.

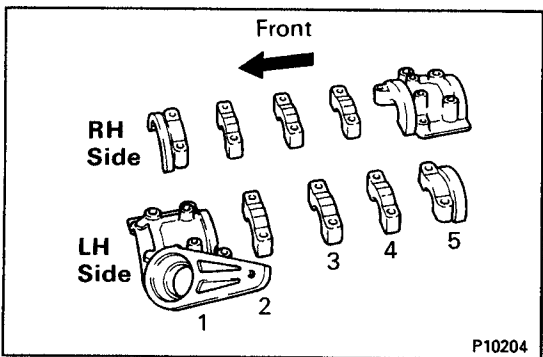
**35. REMOVE CYLINDER HEAD COVERS**

Remove the eleven bolts, engine wire bracket, cylinder head cover and gasket. Remove the two cylinder head covers.

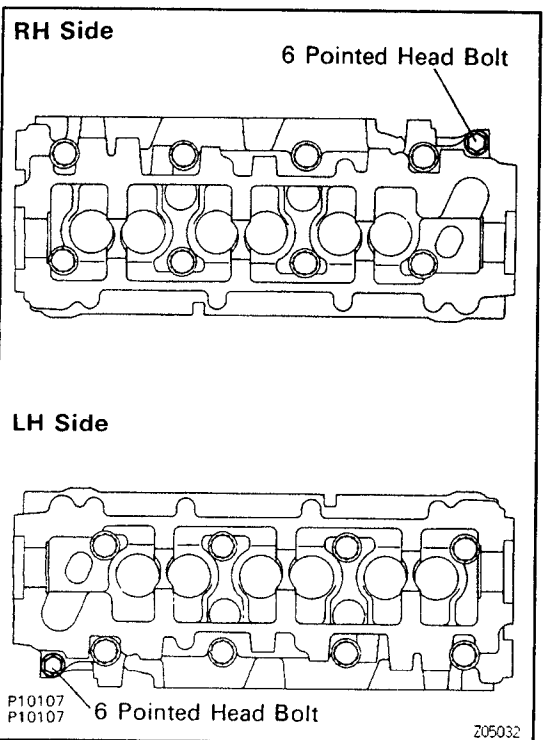


36. REMOVE CAMSHAFTS

- (a) Uniformly loosen and remove the twelve bearing cap bolts one side of each cylinder head in several passes, in the sequence shown, then do the other side as shown.
- (b) Remove the ten camshaft bearing caps, two oil seals and two camshafts.

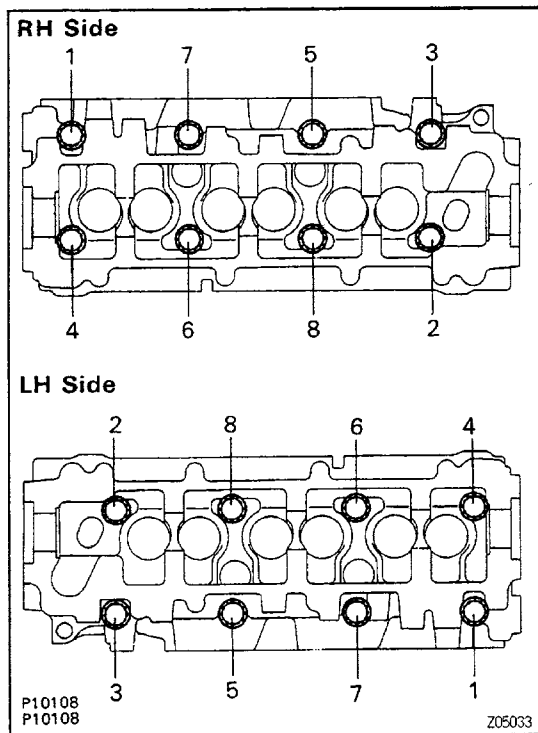


HINT: Arrange the bearing caps in correct order.



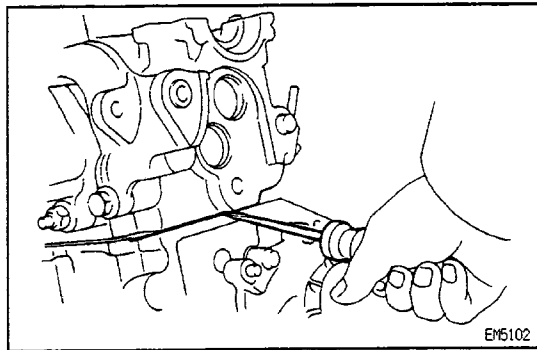
37. REMOVE CYLINDER HEADS

- (a) Remove the cylinder head (6 pointed head) bolt from each cylinder head.



- (b) Uniformly loosen the eight cylinder head bolts one side of each cylinder head in several passes, in the sequence shown, then do the other side as shown. Remove the eighteen cylinder head bolts and plate washers.

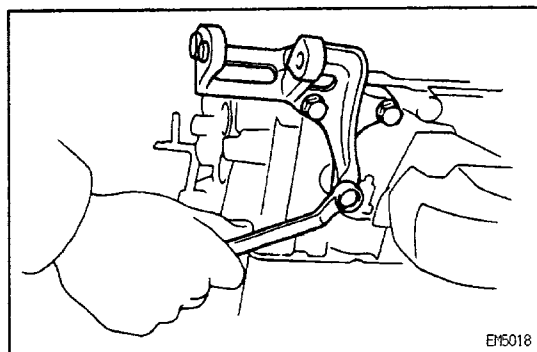
NOTICE: Head warpage or cracking could result from removing bolts in incorrect order.



- (c) Lift the cylinder head from the dowels on the cylinder block, and place the two cylinder heads on wooden blocks on a bench.

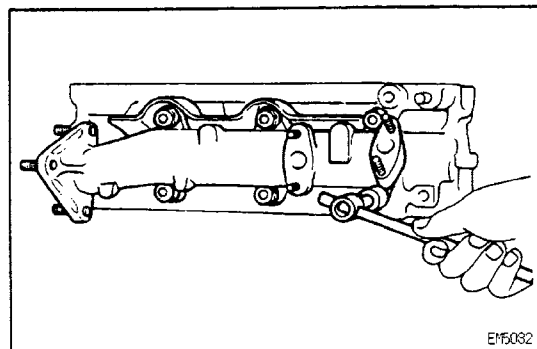
If the cylinder head is off, pry between the cylinder head and cylinder block with a screwdriver.

NOTICE: Be careful not to damage the contact surfaces of the cylinder head and cylinder block.



38. REMOVE GENERATOR BRACKET

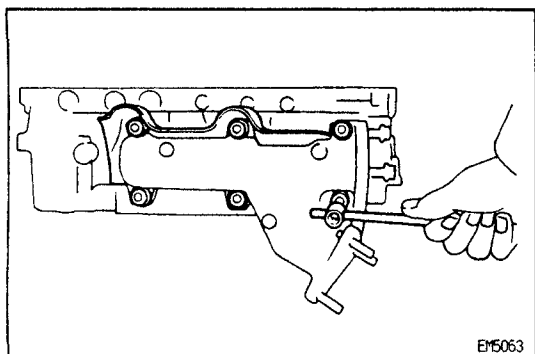
Remove the three bolts and brackets.



39. REMOVE EXHAUST MANIFOLD FROM RH CYLINDER HEAD

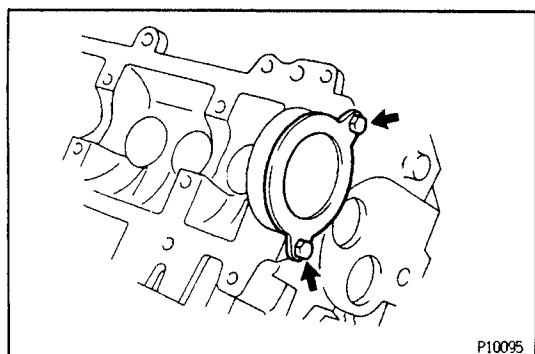
- (a) Remove the bolt, nut and exhaust manifold heat insulator.

- (b) Remove the six nuts, exhaust manifold and gasket.



40. REMOVE EXHAUST MANIFOLD FROM LH CYLINDER HEAD

- (a) Remove the three nuts and exhaust manifold heat insulator.
- (b) Remove the six nuts, exhaust manifold and gasket.



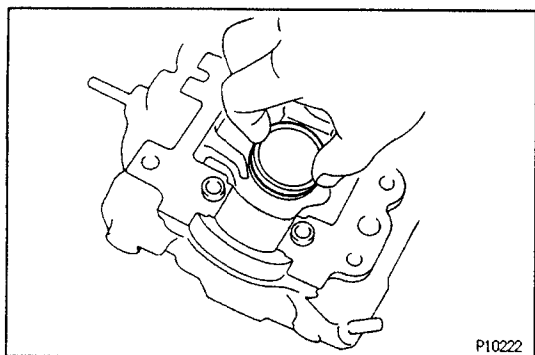
CYLINDER HEADS DISASSEMBLY

E012X-01

(See Components)

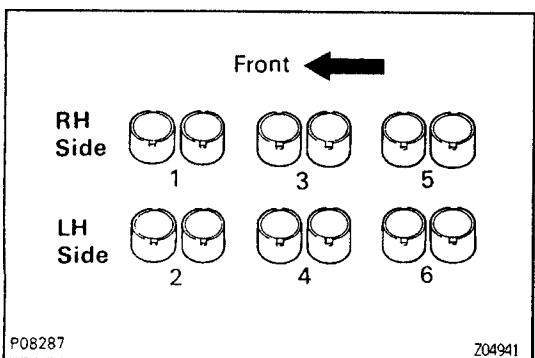
1. REMOVE CAMSHAFT HOUSING PLUGS

- (a) Remove the two bolts and housing rear cover.
- (b) Remove the housing plug.

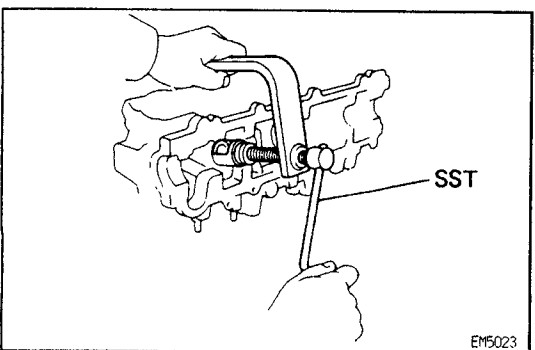


2. REMOVE VALVE LIFTERS AND SHIMS

Pull out the valve lifter and shim by hand.

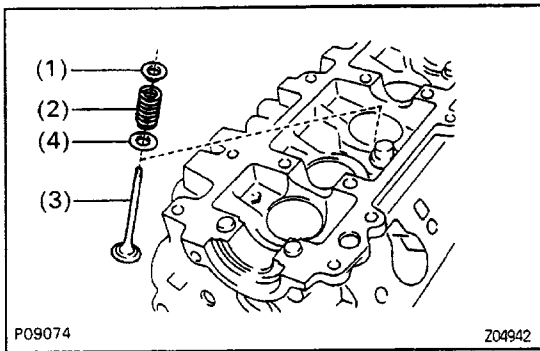


HINT: Arrange the valve lifters and shims in correct order.



3. REMOVE VALVES

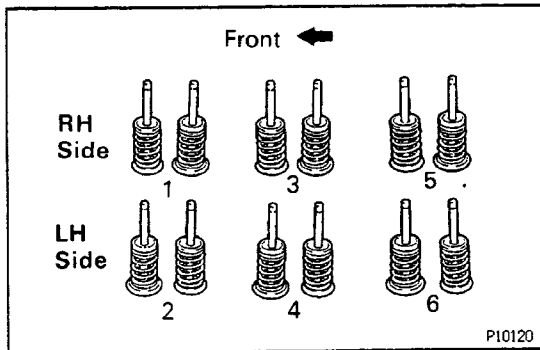
- (a) Using SST, compress the valve spring and remove the two keepers.
SST 09202-43013



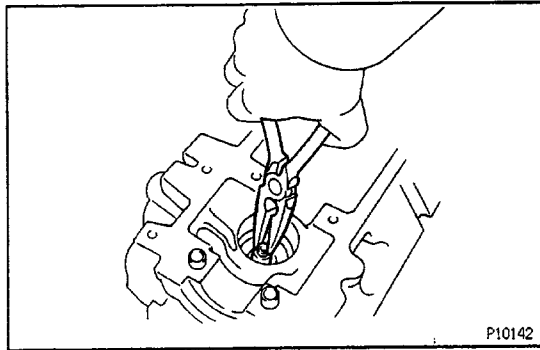
(b) Remove the following parts:

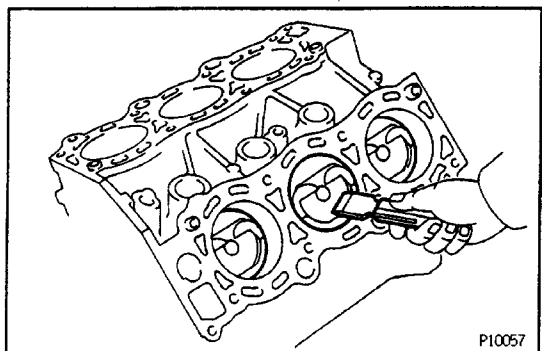
- (1) Spring retainer
- (2) Valve spring
- (3) Valve
- (4) Spring seat

HINT: Arrange the valves, valve springs, spring seats and spring retainers in correct order.



(c) Using needle-nose pliers, remove the oil seal.

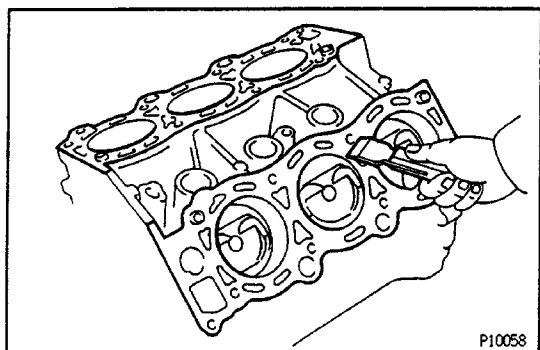




CYLINDER HEAD COMPONENTS INSPECTION AND REPAIR

1. CLEAN TOP SURFACES OF PISTONS AND CYLINDER BLOCK

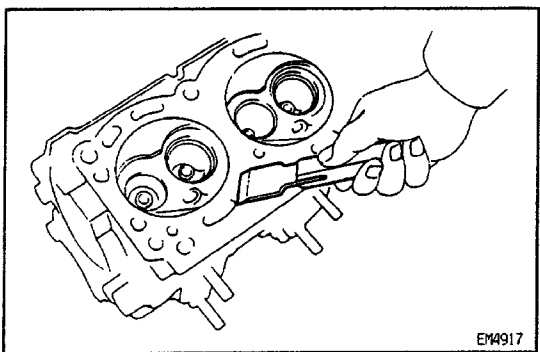
(a) Turn the crankshaft, and bring each piston to top dead center (TDC). Using a gasket scraper, remove all the carbon from the piston top surface.



(b) Using a gasket scraper, remove all the gasket material from the cylinder block surface.

(c) Using compressed air, blow carbon and oil from the bolt holes.

CAUTION: Protect your eyes when using high compressed air.

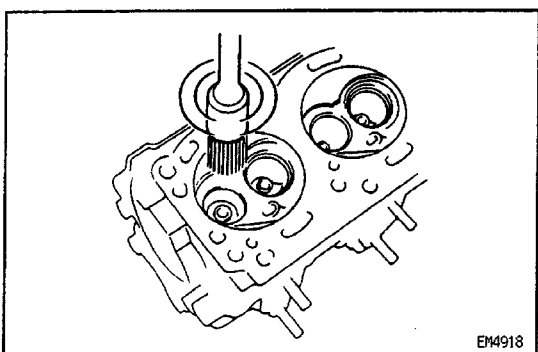


2. CLEAN CYLINDER HEAD

A. Remove gasket material

Using a gasket scraper, remove all the gasket material from the cylinder block contact surface.

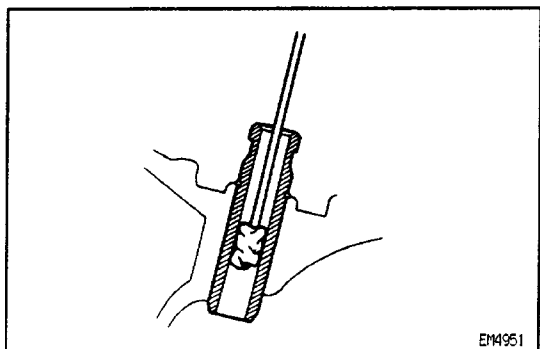
NOTICE: Be careful not to scratch the cylinder block contact surface.



B. Clean combustion chambers

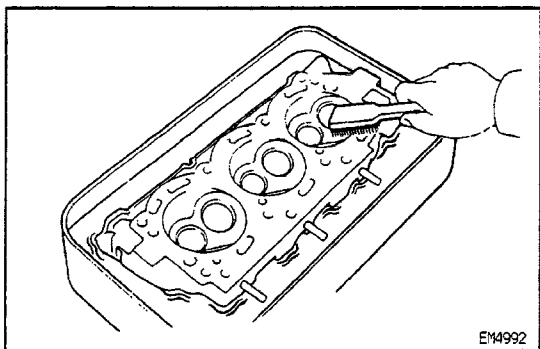
Using a wire brush, remove all the carbon from the combustion chambers.

NOTICE: Be careful not to scratch the cylinder block contact surface.



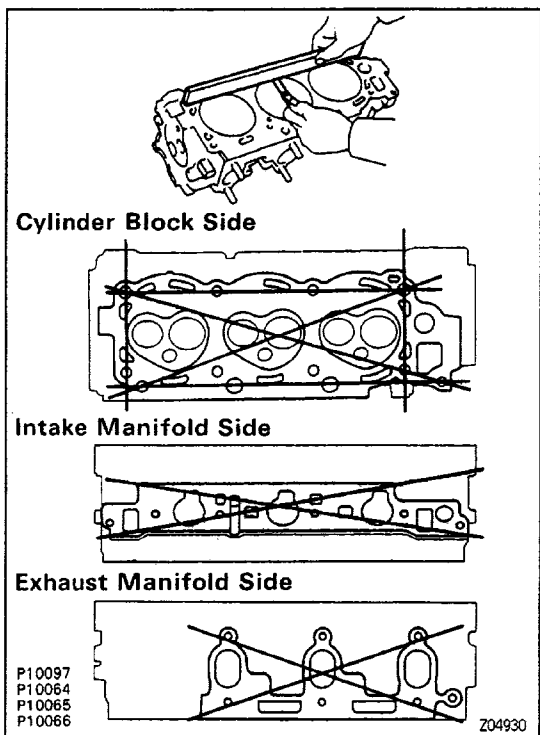
C. Clean valve guide bushings

Using a valve guide bushing brush and solvent, clean all the guide bushings.



D. Clean cylinder head

Using a soft brush and solvent, thoroughly clean the cylinder head.



3. INSPECT CYLINDER HEAD

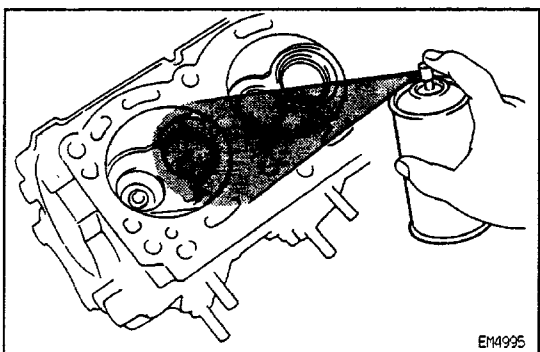
A. Inspect for flatness

Using a precision straight edge and feeler gauge, measure the surfaces contacting the cylinder block and the manifolds for warpage.

Maximum warpage:

0.10 mm (0.0039 in.)

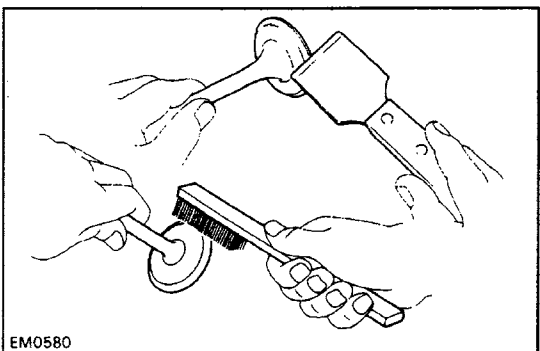
If warpage is greater than maximum, replace the cylinder head.



B. Inspect for cracks

Using a dye penetrant, check the combustion chamber, intake ports, exhaust ports and cylinder block surface for cracks.

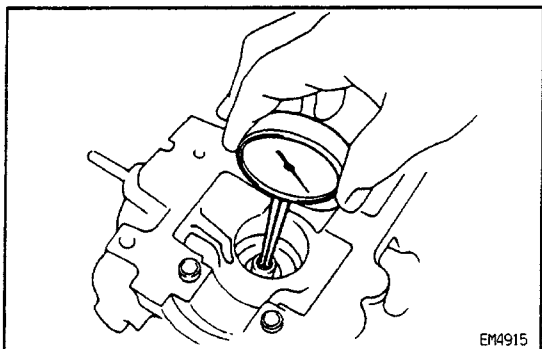
If cracked, replace the cylinder head.



4. CLEAN VALVES

(a) Using a gasket scraper, chip off any carbon from the valve head.

(b) Using a wire brush, thoroughly clean the valve.

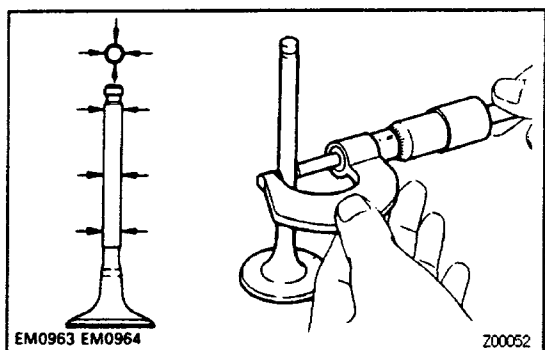


5. INSPECT VALVE STEMS AND GUIDE BUSHINGS

- (a) Using a caliper gauge, measure the inside diameter of the guide bushing.

Bushing inside diameter:

8.010–8.030mm(0.3154–0.3161 in.)



- (b) Using a micrometer, measure the diameter of the valve stem.

Valve stem diameter:

Intake

7.970 – 7.985 mm (0.3138 – 0.3144 in.)

Exhaust .

7.965 – 7.980 mm (0.3136 – 0.3142 in.)

- (c) Subtract the valve stem diameter measurement from the guide bushing inside diameter measurement.

Standard oil clearance:

Intake

0.025 – 0.060 mm (0.0010 – 0.0024 in.)

Exhaust

0.030 – 0.065 mm (0.0012 – 0.0026 in.)

Maximum oil clearance:

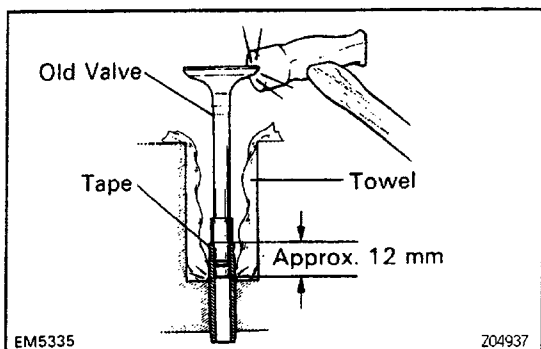
Intake

0.08 mm (0.0031 in.)

Exhaust

0.10 mm (0.0039 in.)

If the clearance is greater than maximum, replace the valve and guide bushing.

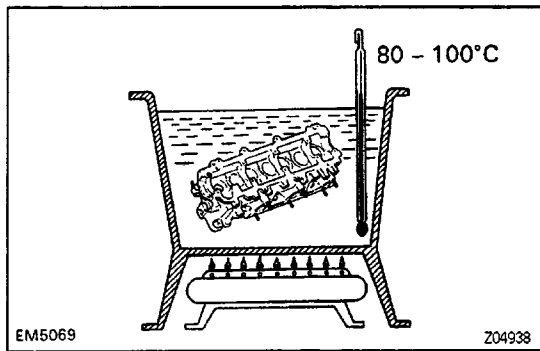


6. IF NECESSARY, REPLACE VALVE GUIDE BUSHINGS

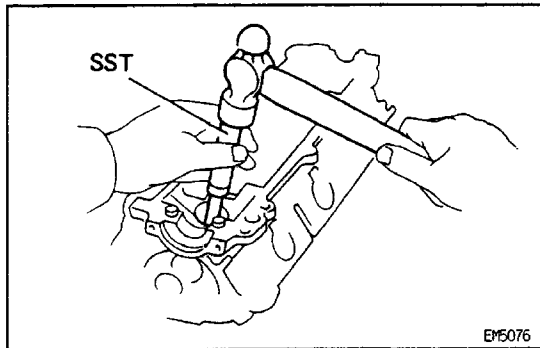
- (a) Insert an old valve wrapped with tape into the valve guide bushing, and break off the valve guide bushing by hitting it with a hammer. Remove the snap ring.

HINT: Wrap the tape approx. 12 mm (0.47 in.) from the valve stem end.

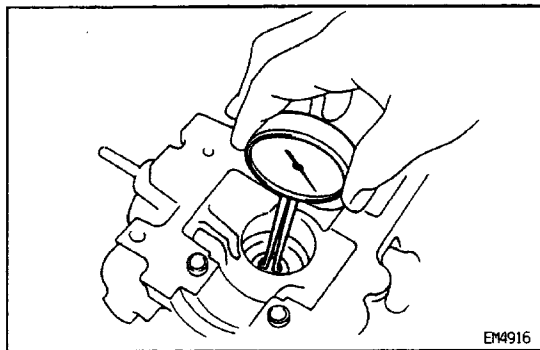
NOTICE: Be careful not to damage the valve lifter hole.



(b) Gradually heat the cylinder head to 80 – 100•C (176 – 212• F).



(c) Using SST and a 'hammer, tap out the guide bushing. SST 09201-60011



(d) Using a caliper gauge, measure the bushing bore diameter of the cylinder head.

Both intake and exhaust

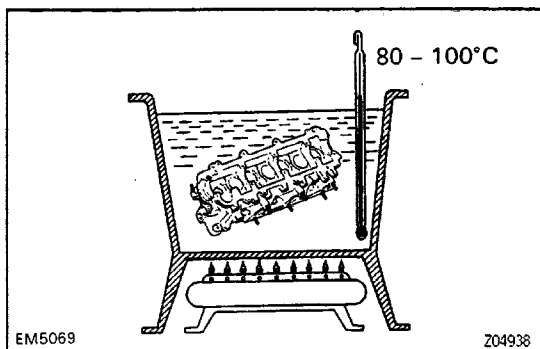
Bushing bore mm (in.)	Bushing size
13.000-13.027 (0.5118-0.5129)	Use STD
13.050 - 13.077 (0.5138 - 0.5148)	Use O/S 0.05

V02465

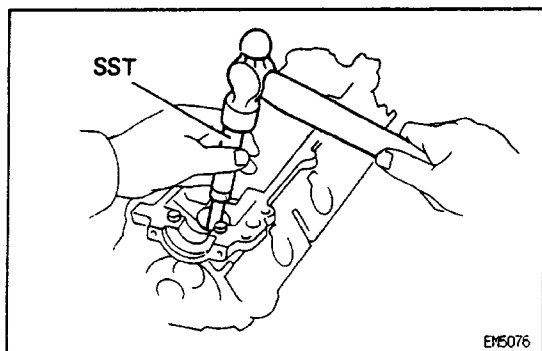
(e) Select a new guide bushing (STD or O/S 0.05). If the bushing bore diameter of the cylinder head is greater than 13.027 mm (0.5129 in.), machine the bushing bore to the following dimension:

13.050 – 13.077 mm (0.5138 – 0.5148 in.)

If the bushing bore diameter of the cylinder head is greater than 13.077 mm (0.5148 in.), replace the cylinder head.

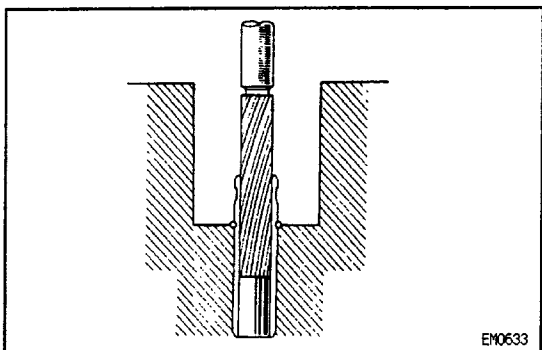


(f) Gradually heat the cylinder head to 80 – 100•C (176 – 212•F).

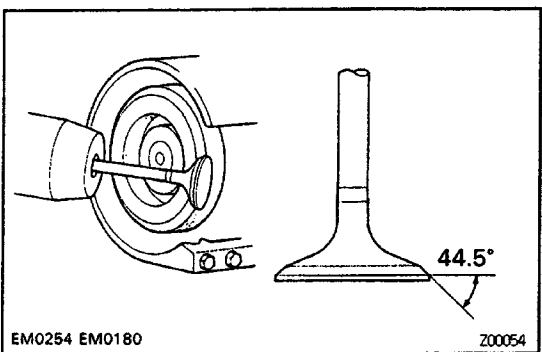


- (g) Using SST and a hammer, tap in a new guide bushing until the snap ring makes contact with the cylinder head.

SST 09201-60011



- (h) Using a sharp 8 mm reamer, ream the guide bushing to obtain standard specified clearance (See step 5 above) between the guide bushing and valve stem.

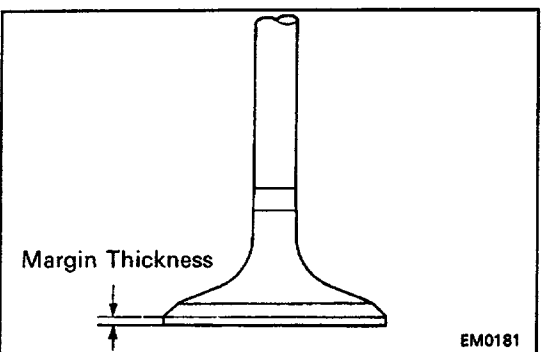


7. INSPECT AND GRIND VALVES

- (a) Grind the valve enough to remove pits and carbon.
 (b) Check that the valve is ground to the correct valve face angle.

Valve face angle:

44.5°



- (c) Check the valve head margin thickness.

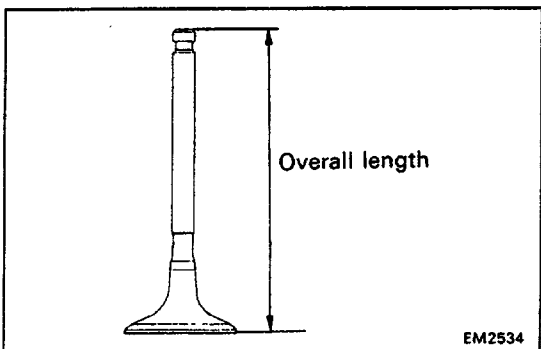
Standard margin thickness:

1.3 – 1.7 mm (0.051 – 0.067 in.)

Minimum margin thickness:

1.0 mm (0.039 in.)

If the margin thickness is less than minimum, replace the valve.



- (d) Check the valve overall length.

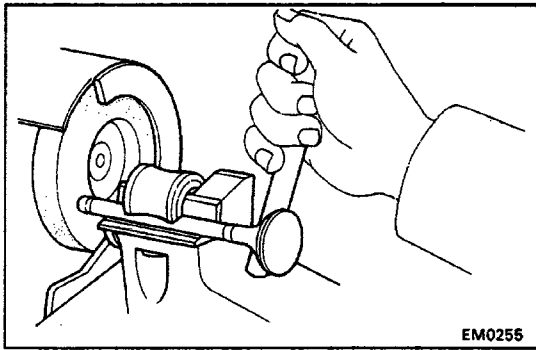
Standard overall length:

104.3 mm (4.106 in.)

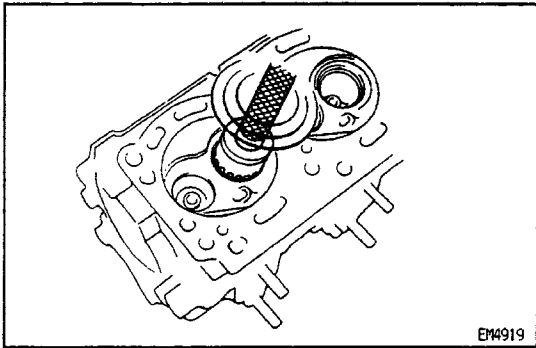
Minimum overall length:

103.8 mm (4.087 in.)

If the overall length is less than minimum, replace the valve.

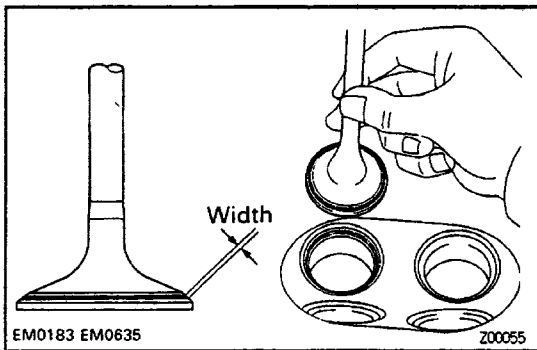


- (e) Check the surface of the valve stem tip for wear.
If the valve stem tip is worn, resurface the tip with a grinder or replace the valve.
NOTICE: Do not grind off more than minimum.

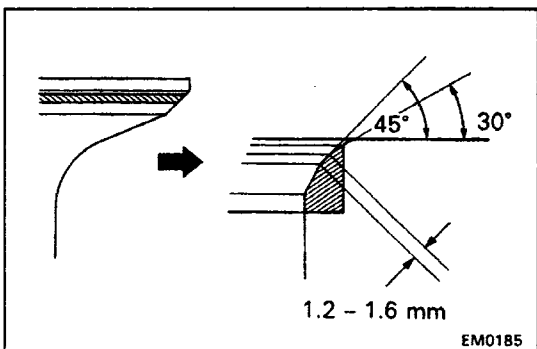


8. INSPECT AND CLEAN VALVE SEATS

- (a) Using a 45° carbide cutter, resurface the valve seats.
Remove only enough metal to clean the seats.

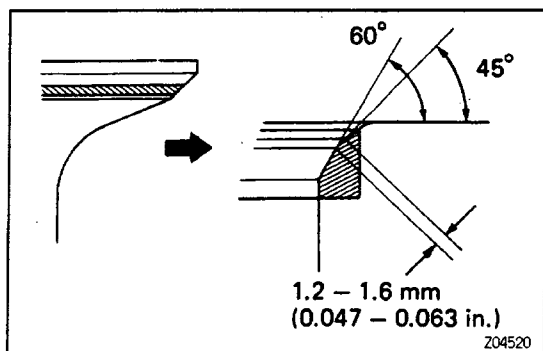


- (b) Check the valve seating position.
Apply a light coat of prussian blue (or white lead) to the valve face. Lightly press the valve against the seat. Do not rotate valve.
- (c) Check the valve face and seat for the following:
- If blue appears 360° around the face, the valve is concentric. If not, replace the valve.
 - If blue appears 360° around the valve seat, the guide and face are concentric. If not, resurface the seat.
 - Check that the seat contact is in the middle of the valve face with the following width:
1.2 – 1.6 mm (0.047 – 0.063 in.)

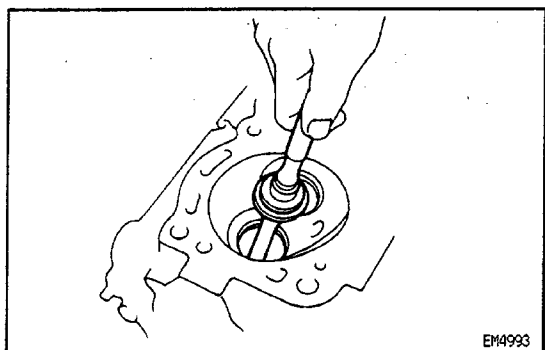


If not, correct the valve seats as follows:

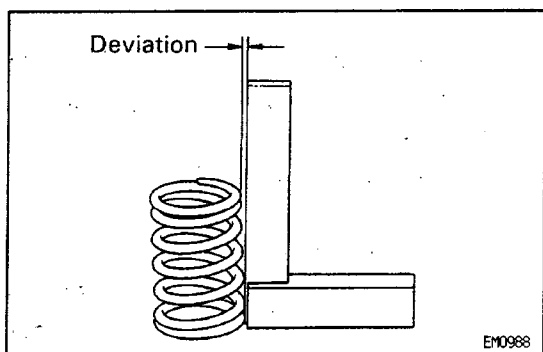
- (1) If the seating is too high on the valve face, use 30° and 45° cutters to correct the seat.



- (2) If the seating is too low on the valve face, use 60° and 45° cutters to correct the seat.



- (d) Hand-lap the valve and valve seat with an abrasive compound.
(a) After hand-lapping, clean the valve and valve seat.



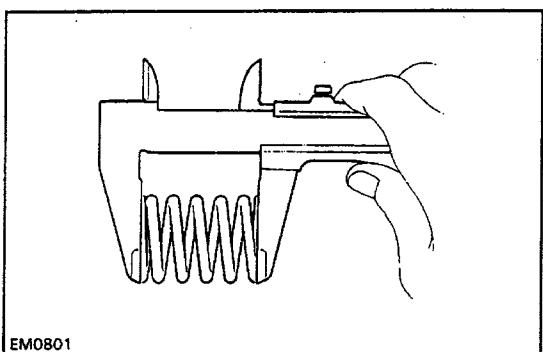
9. INSPECT VALVE SPRINGS

- (a) Using a steel square, measure the deviation of the valve spring.

Maximum deviation:

1.23 mm (0.0484 in.)

- If the deviation is greater than maximum, replace the valve spring.



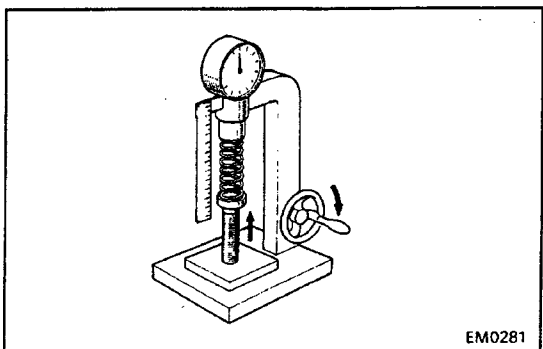
- (b) Using a vernier caliper, measure the free length of the valve spring.

Free length:

46.50 mm (1.8307 in.) for white painted mark

47.01 mm (1.8508 in.) for green painted mark

- If the free length is not as specified, replace the valve spring.



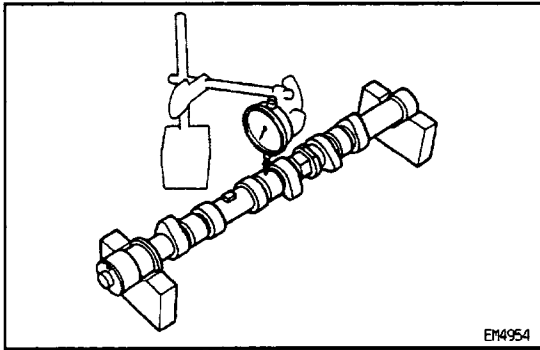
- (c) Using a spring tester, measure the tension of the valve spring at the specified installed length.

Installed tension:

242 - 268 N (24.7 - 27.3 kgf, 54.5 - 60.2 lbf)

at 40.0 mm (1.575 in.)

- If the installed tension is not as specified, replace the valve spring.



10. INSPECT CAMSHAFTS AND BEARINGS

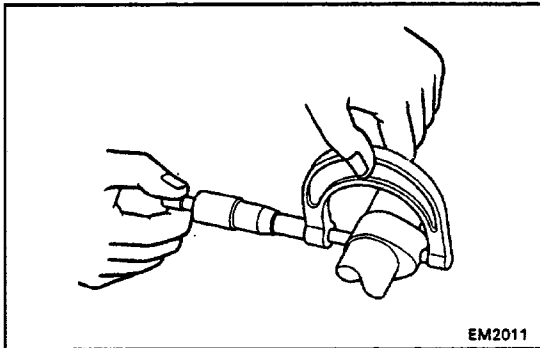
A. Inspect camshaft for runout

- Place the camshaft on V – blocks.
- Using a dial indicator, measure the circle runout at the center journal.

Maximum circle runout:

0.06 mm (0.0024 in.)

If the circle runout is greater than maximum, replace the camshaft.



B. Inspect cam lobes

Using a micrometer, measure the cam lobe height.

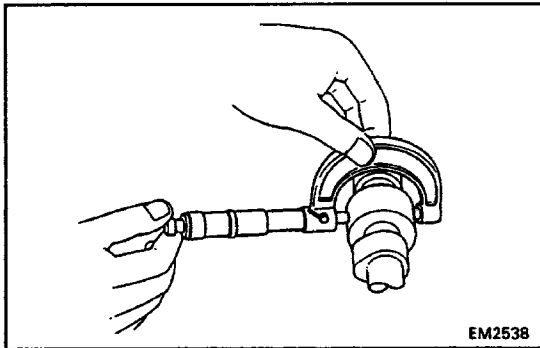
Standard cam lobe height:

47.830 – 47.930 mm (1.8830 – 1.8870 in.)

Minimum cam lobe height:

47.50 mm (1.8701 in.)

If the cam lobe height is less than minimum, replace the camshaft.



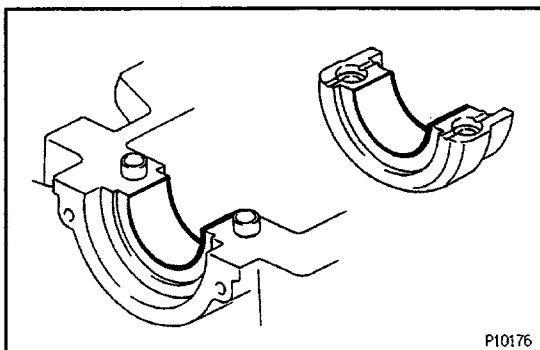
C. Inspect camshaft journals

Using a micrometer, measure the journal diameter.

Journal diameter:

33.959 – 33.975 mm (1.3370 – 1.3376 in.)

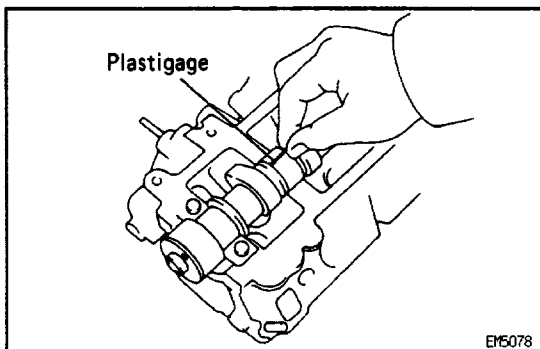
If the journal diameter is not as specified, check the oil clearance.



D. Inspect camshaft bearings

Check that bearings for flaking and scoring.

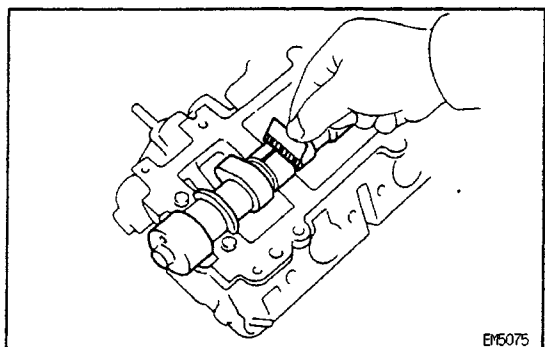
If the bearings are damaged, replace the bearing caps and cylinder head as a set.



E. Inspect camshaft journal oil clearance

- Clean the bearing caps and camshaft journals.
- Place the camshafts on the cylinder head.
- Lay a strip of Plastigage across each of the camshaft journals.

- (d) Install the bearing caps.
 (See step 5 on pages [EG2-78](#) and 79)
Torque: 16 N-m (160 kgf-cm, 12 ft-lbf)
NOTICE: Do not turn the camshaft.
- (e) Remove the bearing caps.



- (f) Measure the Plastigage at its widest point.

Standard oil clearance:

0.025 – 0.066 mm (0.0010 – 0.0026 in.)

Maximum oil clearance:

0.10 mm (0.0039 in.)

If the oil clearance is greater than maximum, replace the camshaft. If necessary, replace the bearing caps and cylinder head as a set.

- (g) Completely remove the Plastigage.

- (h) Remove the camshafts.

F. Inspect camshaft thrust clearance

- (a) Install the camshaft.

(See step 5 on pages [EG2-78](#) and 79)

- (b) Using a dial indicator, measure the thrust clearance while moving the camshaft back and forth.

Standard thrust clearance:

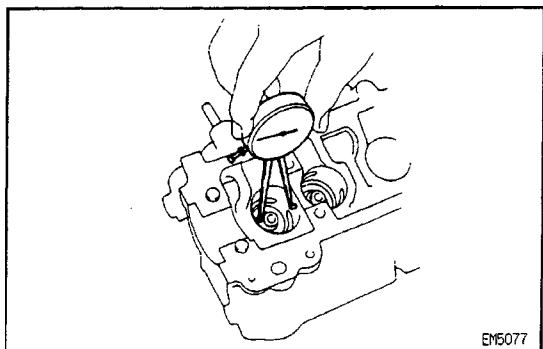
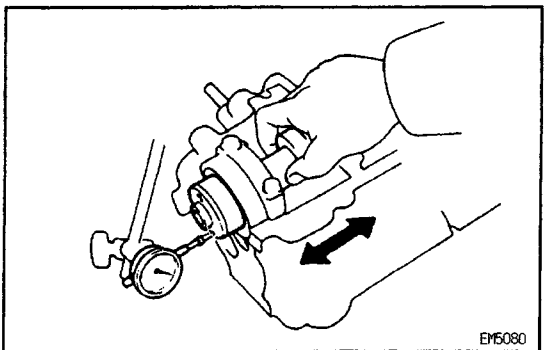
0.080 – 0.190 mm (0.0031 – 0.0075 in.)

Maximum thrust clearance:

0.25 mm (0.0098 in.)

If the thrust clearance is greater than maximum, replace the camshaft. If necessary, replace the bearing caps and cylinder head as a set.

- (c) Remove the camshafts.

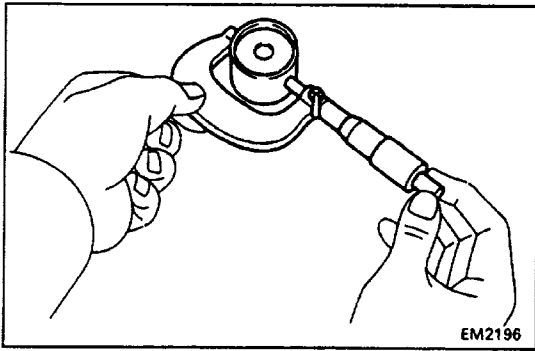


11. INSPECT VALVE LIFTERS AND LIFTER BORES

- (a) Using a caliper gauge, measure the lifter bore diameter of the cylinder head.

Lifter bore diameter:

37.960 – 37.975 mm (1.4945 – 1.4951 in.)



(b) Using a micrometer, measure the lifter diameter.

Lifter diameter:

37.922 – 37.832 mm (1.4930 – 1.4934 in.)

(c) Subtract the lifter diameter measurement from the lifter bore diameter measurement.

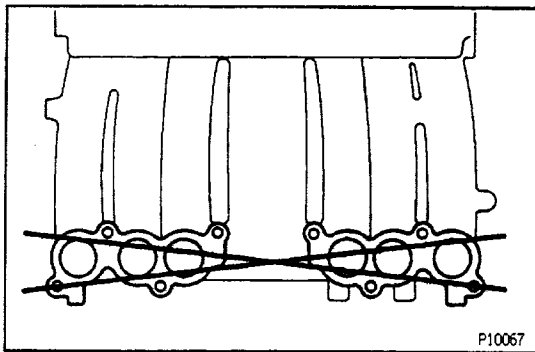
Standard oil clearance:

0.028 – 0.053 mm (0.0011 – 0.0021 in.)

Maximum oil clearance:

0.10 mm (0.0039 in.)

If the oil clearance is greater than maximum, replace the lifter. If necessary, replace the cylinder head.



12. INSPECT AIR INTAKE CHAMBER

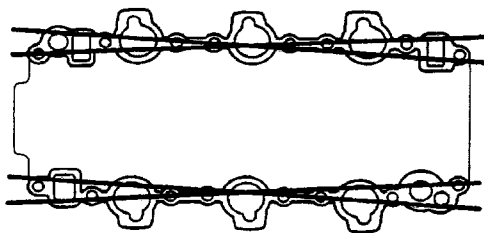
Using a precision straight edge and feeler gauge, measure the surface contacting the intake manifold for warpage.

Maximum warpage:

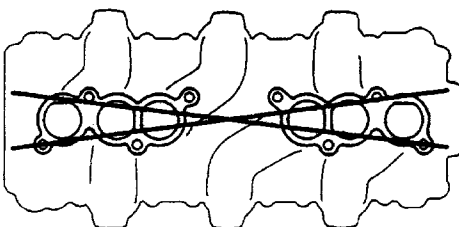
0.10 mm (0.0039 in.)

If warpage is greater than maximum, replace the chamber.

Cylinder Head Side



Air Intake Chamber Side



P10068
P10069

Z04931

13. INSPECT INTAKE MANIFOLD

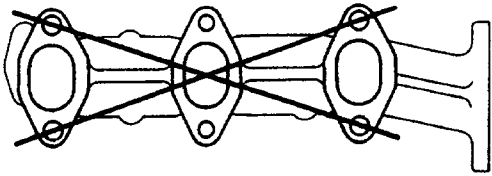
Using a precision straight edge and feeler gauge, measure the surface contacting the cylinder head and air intake chamber for warpage.

Maximum warpage:

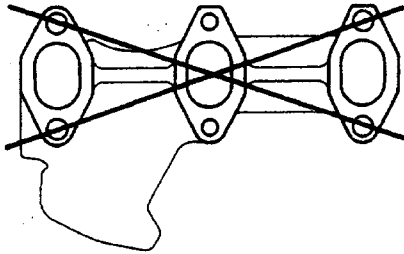
0.10 mm (0.0039 in.)

If warpage is greater than maximum, replace the manifold.

RH Side



LH Side

P10070
P10071

Z04932

14. INSPECT EXHAUST MANIFOLD

Using a precision straight edge and feeler gauge, measure the surface contacting the cylinder head for warpage. ,

Maximum warpage:

0.70 mm (0.0276 in.)

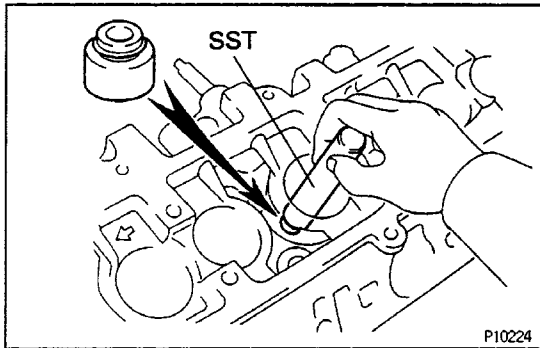
If warpage is greater than maximum, replace the manifold.

CYLINDER HEADS ASSEMBLY

(See Components)

HINT:

- Thoroughly clean all parts to be assembled.
- Before installing the parts, apply new engine oil to all sliding and rotating surfaces.
- Replace all gaskets and oil seals with new ones.

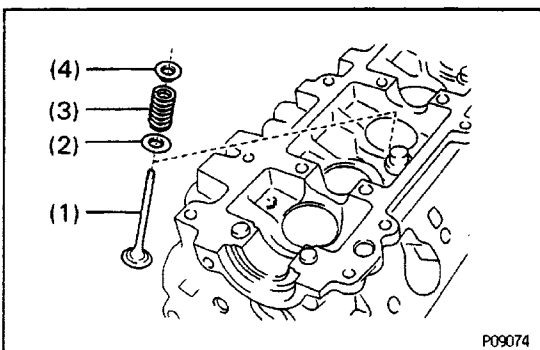
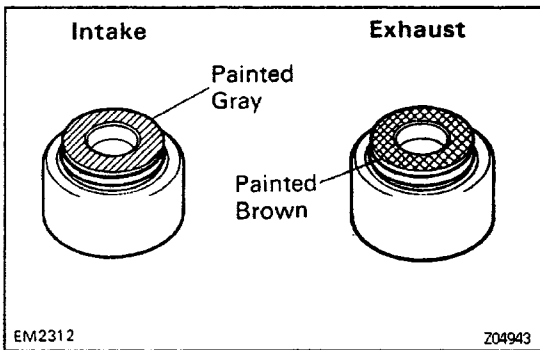


1. INSTALL VALVES

(a) Using SST, push in a new oil seal.

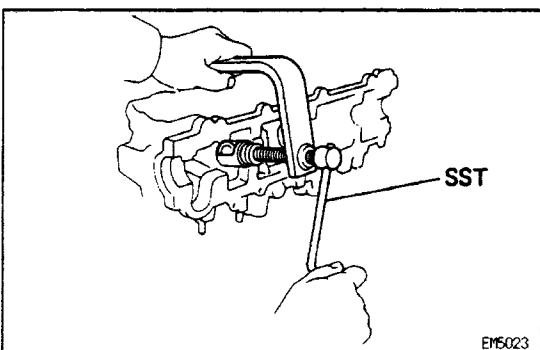
SST 09201 -41020

HINT: The intake valve oil seal is gray and the exhaust valve oil seal is brown.



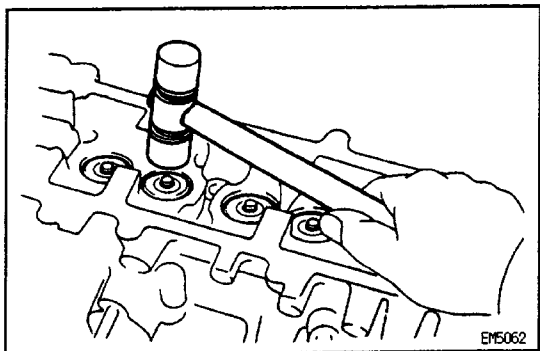
(b) Install the following parts:

- (1) Valve
- (2) Spring seat
- (3) Valve spring
- (4) Spring retainer

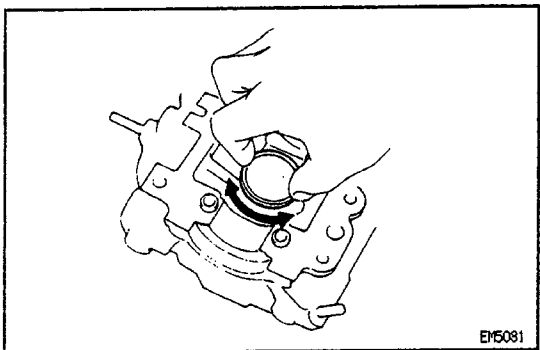


(c) Using SST, compress the valve spring and place the two keepers around the valve stem.

SST 09202-43013

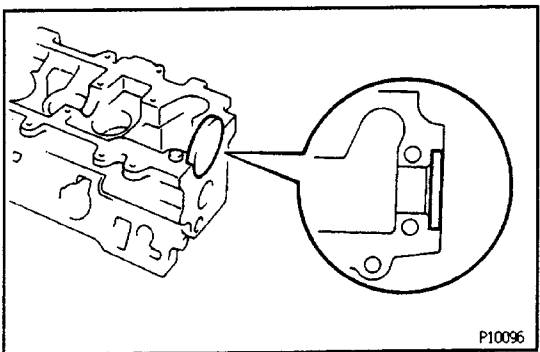


- (d) Using a plastic-faced hammer, lightly tap the valve stem tip to assure proper fit.



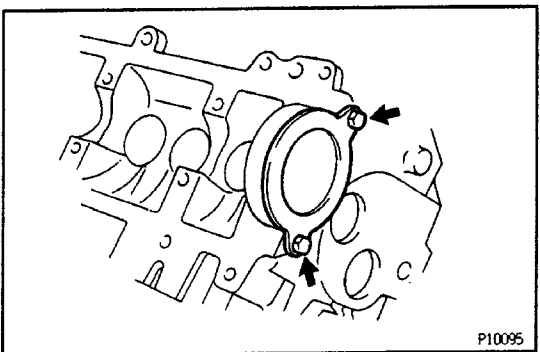
2. INSTALL VALVE LIFTERS AND SHIMS

- (a) Install the valve lifter– and shim.
 (b) Check that the valve lifter rotates smoothly by hand.

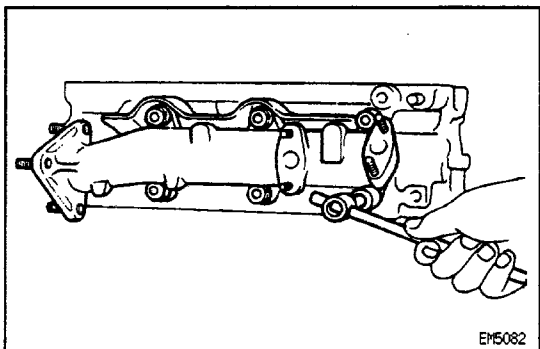


3. INSTALL CAMSHAFT HOUSING PLUGS

- (a) Place a new housing plug in position on the cylinder head, facing the cup side inward.



- (b) Install the housing rear plate with the two bolts.
Torque: 4.9 N–m (50 kgf–cm, 43 in.–lbf)



CYLINDER HEADS INSTALLATION

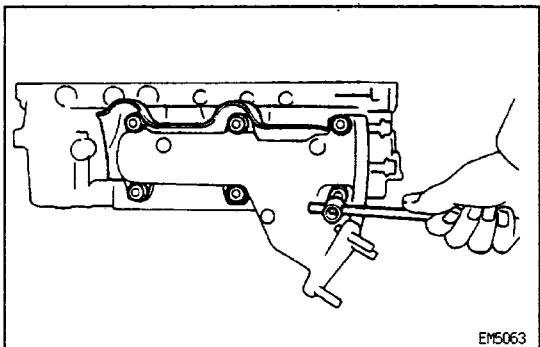
(See Components)

1. INSTALL RH EXHAUST MANIFOLD TO RH CYLINDER HEAD

- (a) Install a new gasket and the exhaust manifold with the six nuts.

Torque: 38 N-m (400 kgf-cm, 29 ft-lbf)

- (b) Install the exhaust manifold heat insulator with the bolt and nut.

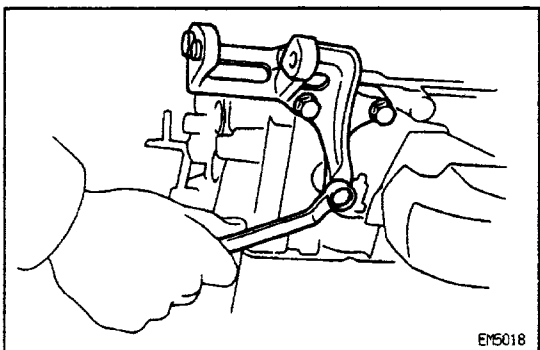


2. INSTALL RH EXHAUST MANIFOLD TO LH CYLINDER HEAD

- (a) Install a new gasket and the exhaust manifold with the six nuts.

Torque: 39 N-m (400 kgf-cm, 29 ft-lbf)

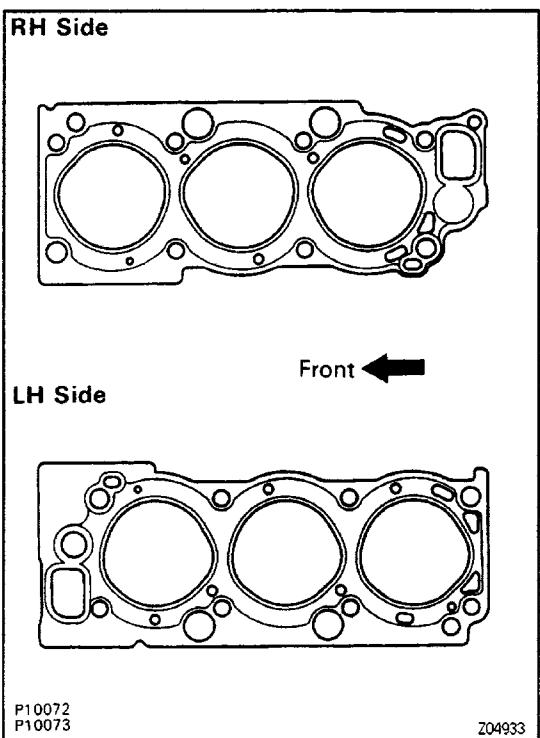
- (b) Install the exhaust manifold heat insulator with the three bolts.



3. INSTALL GENERATOR BRACKET

Install the bracket with the three bolts.

Torque: 37 N-m (380 kgf-cm, 27 ft-lbf)



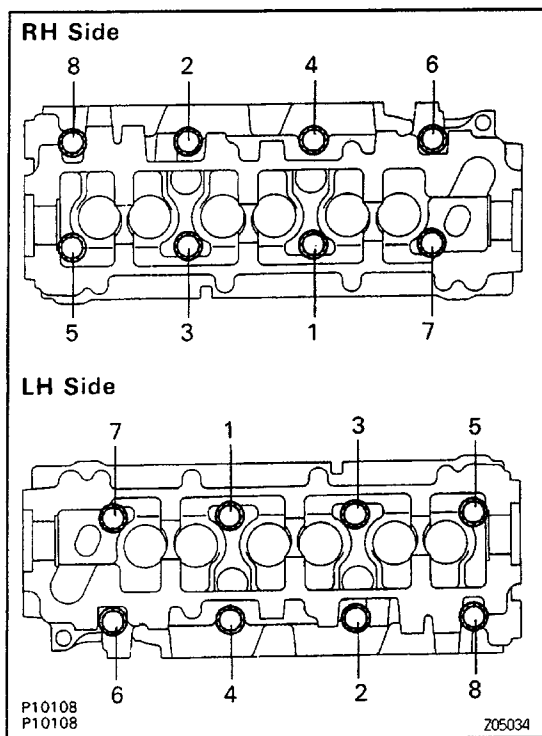
4. INSTALL CYLINDER HEADS

A. Place cylinder head on cylinder block

- (a) Place two new cylinder head gaskets in position on the cylinder block.

NOTICE: Be careful of the installation direction.

- (b) Place the two cylinder heads in position on the cylinder head gasket.



B. Install cylinder head (12 pointed head) bolts

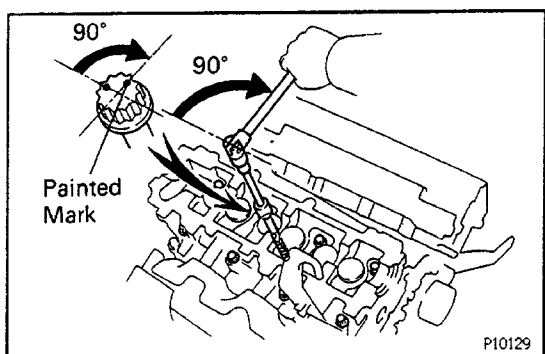
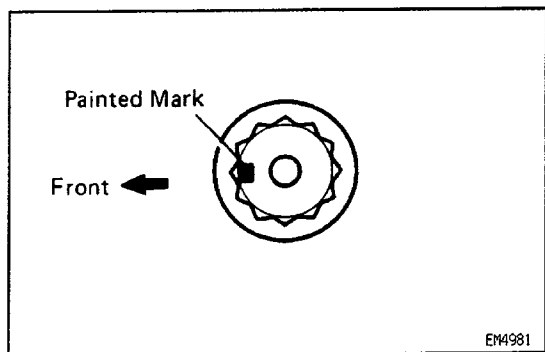
HINT:

- The cylinder head bolts are tightened in three progressive steps (steps (c), (e) and (f)).
 - If any bolts is broken or deformed, replace it.
- (a) Apply a light coat of engine oil on the threads and under the heads of the cylinder head bolts.
- (b) Install the plate washer to the cylinder head bolt.
- (c) Install and uniformly tighten the eight cylinder head bolts on one side of the cylinder head in several passes, in the sequence shown, then do the other side as shown.

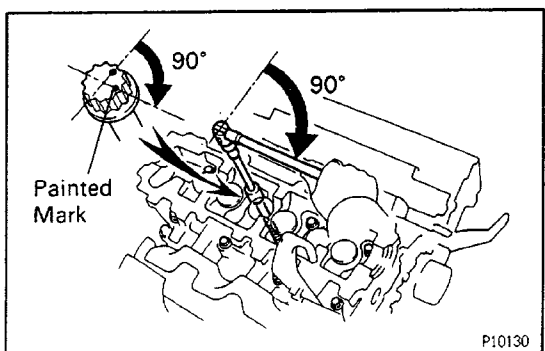
Torque: 44 N-m (450 kgf-cm, 33 ft-lbf)

If any one of the bolts does not meet the torque specification, replace the bolt.

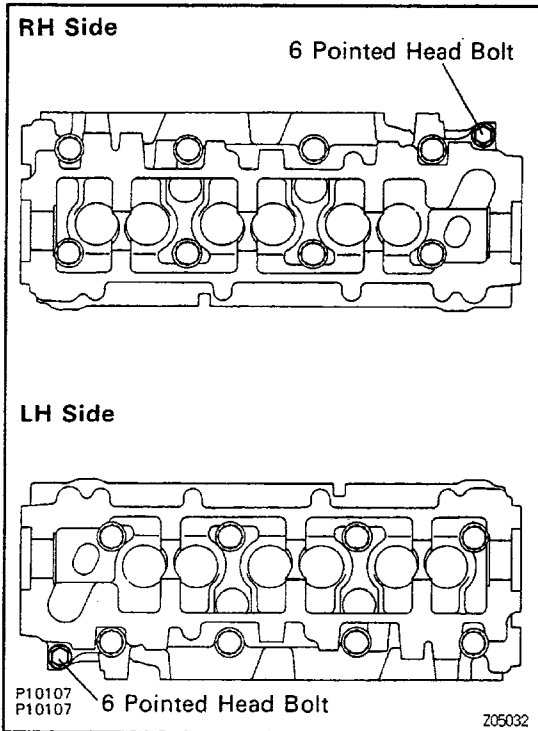
- (d) Mark the front of the cylinder head bolt head with paint.



- (e) Retighten the cylinder head bolts 90° in the numerical order shown.

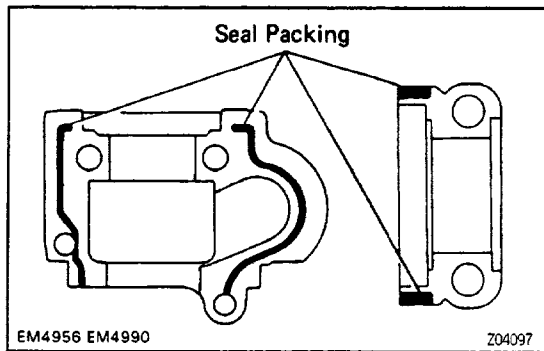


- (f) Retighten cylinder head bolts by an additional 90°.
- (g) Check that the painted mark is now facing rearward.



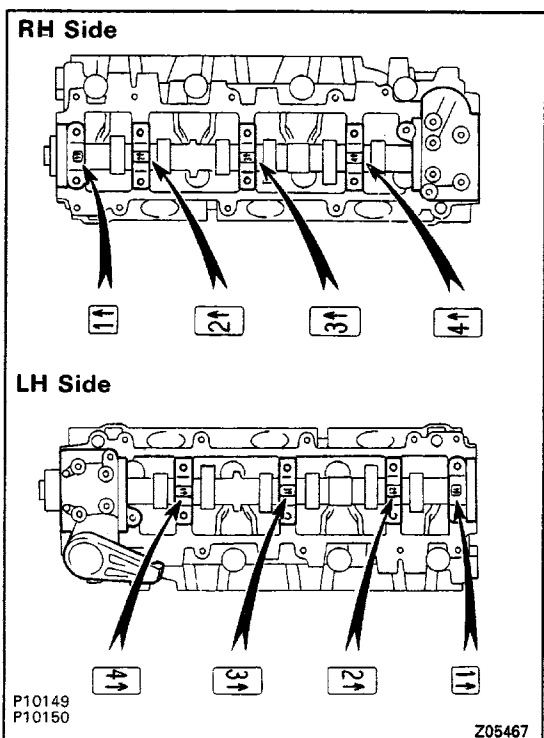
C. Install cylinder head (6 pointed head) bolts

- Apply a light coat of engine oil on the threads and under the heads of the cylinder head bolts.
 - Install the cylinder head bolt to each cylinder head.
- Torque: 41 N-m (420 kgf-cm, 30 ft-lbf)**

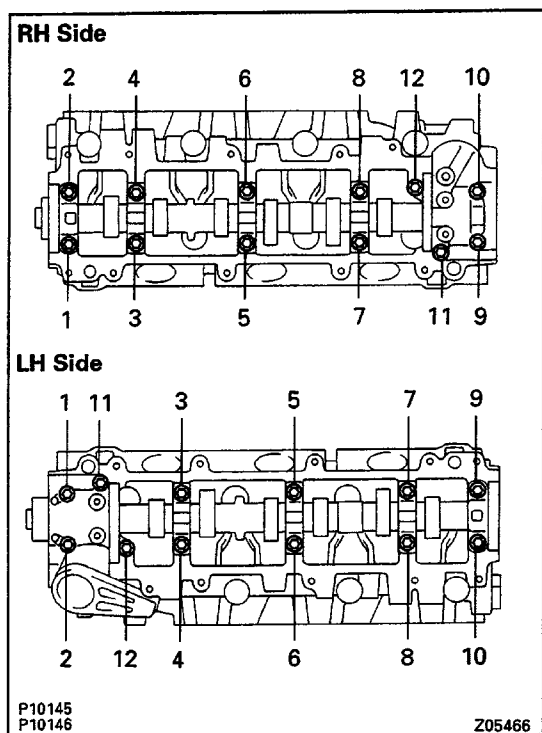


5. INSTALL CAMSHAFTS

- Place the camshaft on the cylinder head.
 - Apply seal packing to the No.1 and No.5 bearing caps as shown.
- Seal packing: Part No. 08826-00080 or equivalent

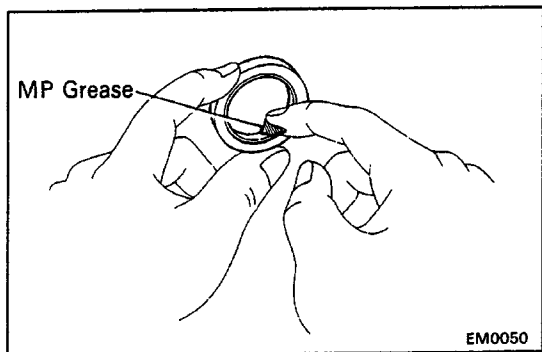


- Install the bearing caps in their proper locations.

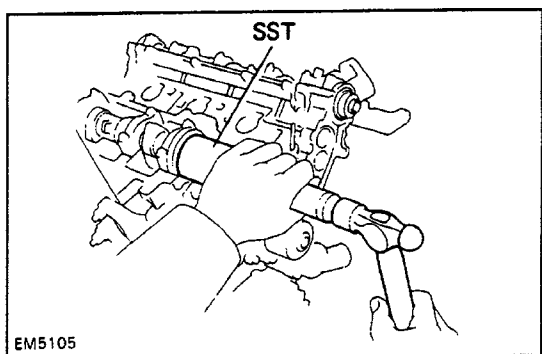


- (d) Apply a light coat of engine oil on the threads and under the heads of the bearing cap bolts.
- (e) Install and uniformly tighten the twelve bearing cap bolts on one side in several passes, in the sequence shown, then do the other side as shown.

Torque: 16 N-m (160 kgf-cm, 12 ft-lbf)



- (f) Apply MP grease to a new oil seal lip.



- (g) Using SST, tap in the two camshaft oil seals.
SST 09214-60010

6. CHECK AND ADJUST VALVE CLEARANCE

(See Tune – Up, steps 7 and 8 on pages EG –19 to 21)

Turn the camshaft and position the cam lobe upward, check and adjust the valve clearance.

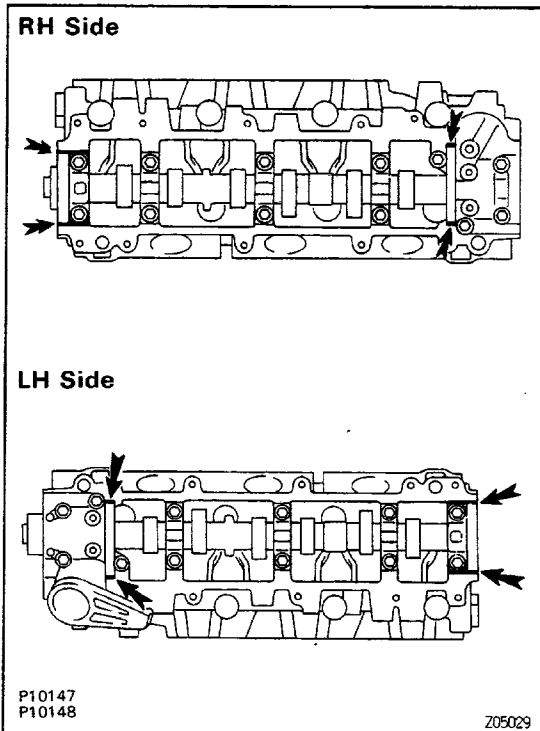
Valve clearance (Cold):

Intake

0.18 – 0.28 mm (0.007 – 0.011 in.)

Exhaust

0.22 – 0.32 mm (0.009 – 0.013 in.)

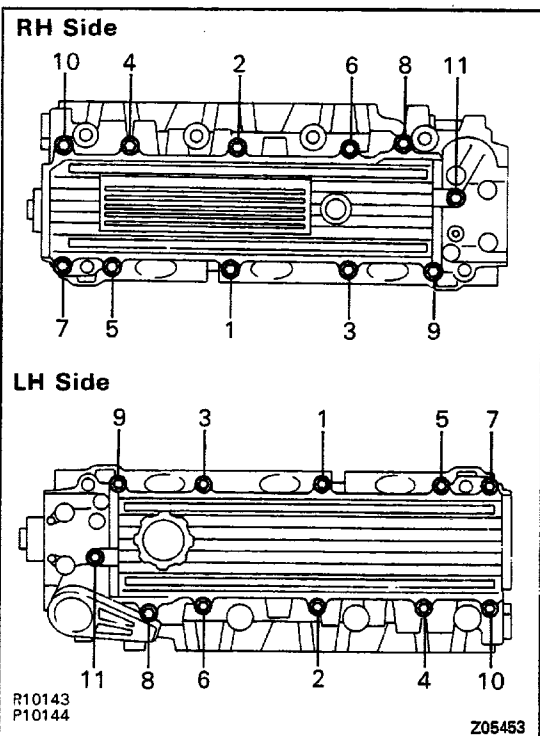


7. INSTALL CYLINDER HEAD COVERS

- Remove the old packing (FIPG) material.
- Apply seal packing to the cylinder head as shown in the illustration.

Seal packing:

Part No. 08826-00080 or equivalent

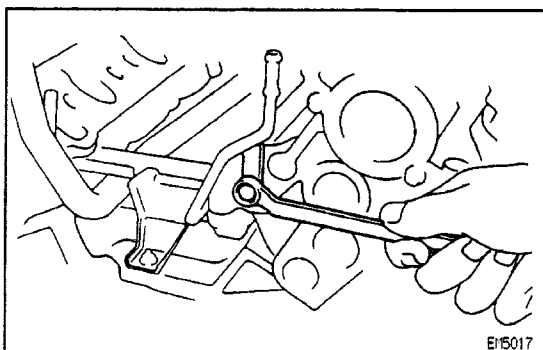


- Install the gasket to the head cover.

- Install the cylinder head cover with the eleven bolts.

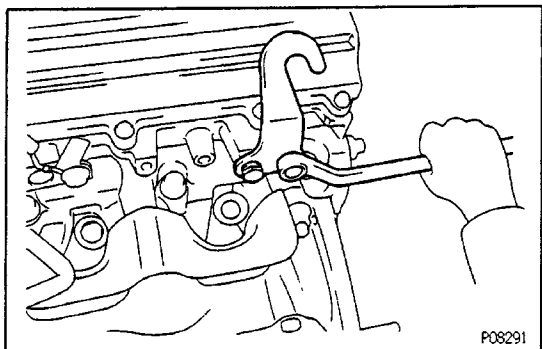
Uniformly tighten the bolts one side of the cylinder head cover in several passes, in the sequence shown, then do the other side as shown. Install the two cylinder head covers.

Torque: 5.4 N-m (55 kgf-cm, 48 in.-lbf)



8. INSTALL WATER BY-PASS PIPE TO RH CYLINDER HEAD .

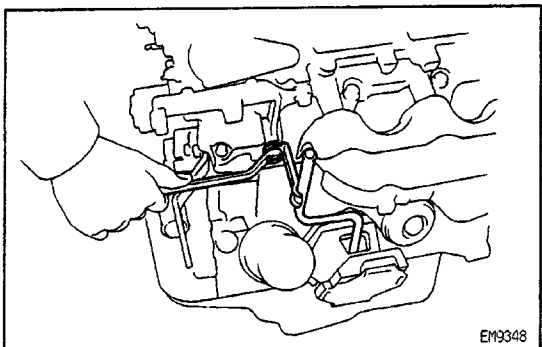
Install the water by- pass pipe with the bolt.



9. INSTALL NO.2 ENGINE HANGER

Install the engine hanger with the two bolts.

Torque: 40 N-m (410 kgf-cm, 30 ft-lbf)



10. INSTALL OIL DIPSTICK GUIDE AND DIPSTICK

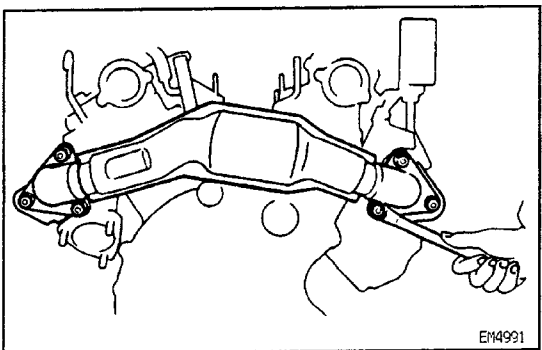
(a) Install a new O-ring on the oil dipstick:

(b) Install the oil dipstick guide with the bolt.

Torque: 37 N-m (380 kgf-cm, 27 ft-lbf)

(c) Install the oil dipstick.

11. INSTALL GENERATOR

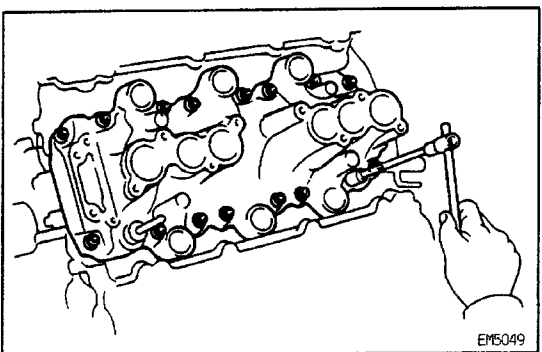


12. INSTALL EXHAUST CROSSOVER PIPE

Install two new gaskets and the crossover pipe with the six nuts.

Torque: 39 N-m (400 kgf-cm, 29 ft-lbf)

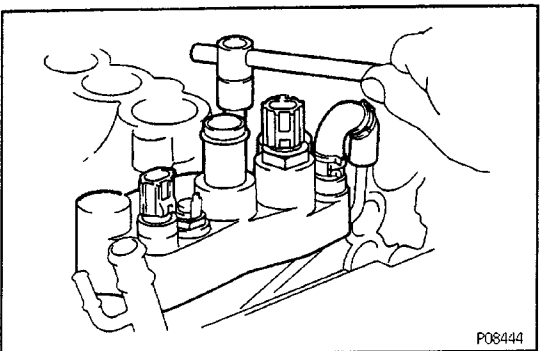
13. INSTALL KNOCK SENSOR WIRE



14. INSTALL INTAKE MANIFOLD

install two new gaskets and the intake manifold with the twelve bolts and four nuts.

Torque: 18 N-m (185 kgf-cm, 13 ft-lbf)

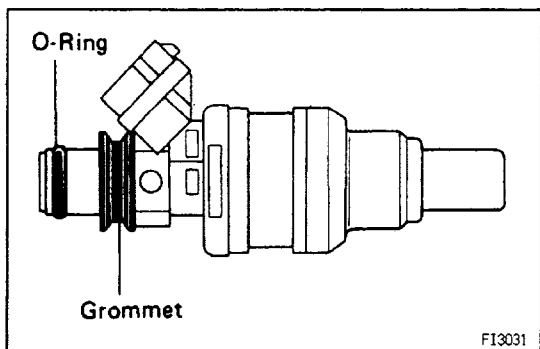


15. INSTALL WATER BY-PASS OUTLET

(a) Install a new gasket and the water by-pass outlet with the two nuts.

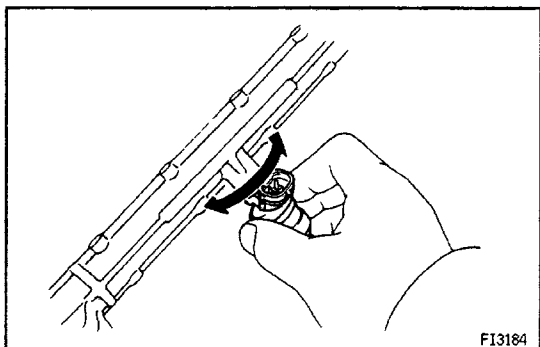
Torque: 18 N-m (185 kgf-cm, 13 ft-lbf)

(b) Connect the No.3 water by-pass hose to the No.1 water by-pass pipe.

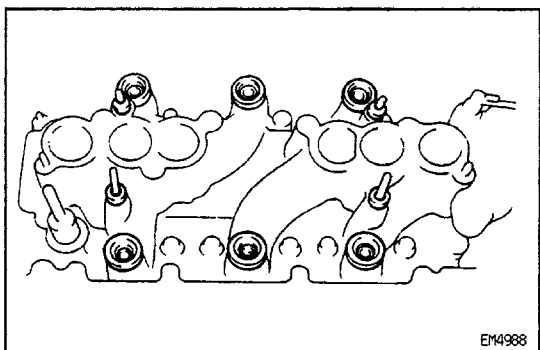


16. INSTALL INJECTORS AND DELIVERY PIPE

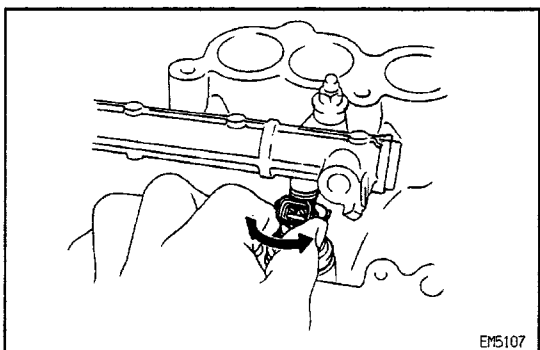
- (a) Install a new grommet to the injector.
- (b) Apply a light coat of gasoline to a new O-ring, and install it to the injector.



- (c) While turning the injector clockwise and counter-clockwise, push it to the delivery pipe. Install the eight injectors.
- (d) Position the injector connector outward.



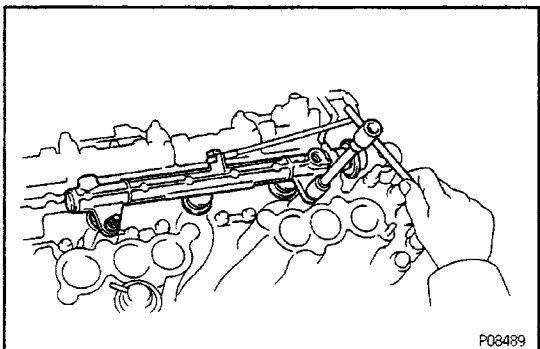
- (e) Install a O-ring to the spacer.
- (f) Place the six spacers and insulators into the injector holes.
- (g) Place the four spacers on the stud bolts.



- (h) Place the two delivery pipes together with the six injectors in position on the intake manifold.
- (i) Temporarily install the four spacers and nuts.
- (j) Check that the injectors rotate smoothly.

HINT: If injectors do not rotate smoothly, the probable cause is incorrect installation of O-rings. Replace the O-rings.

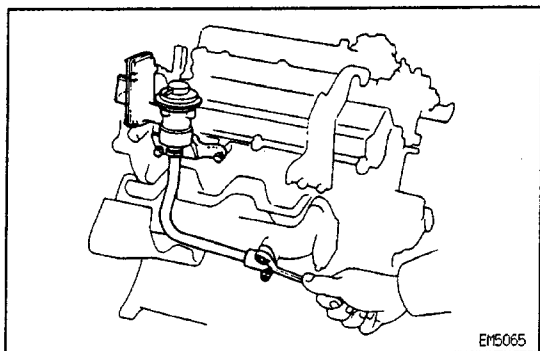
- (k) Position the injector connector upward.



- (l) Tighten the four nuts holding the delivery pipes to the intake manifold.

Torque: 13 N-m (130 kgf-cm, 9 ft-lbf)

- (m) Install the No. 1 fuel pipe to the No.3 bearing cap with the bolt.



17. INSTALL PAIR REED VALVE AND NO.1 INJECTION MANIFOLD

- (a) Position a new gasket on the RH exhaust manifold.
- (b) Install the PAIR reed valve and injection manifold assembly with the two nuts and two bolts.

Torque:

37 N-m (380 kgf-cm, 27 ft-lbf) for bolt

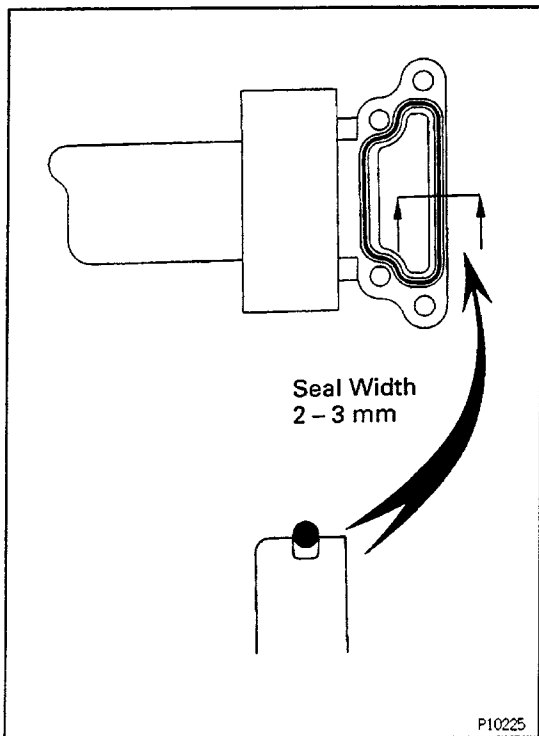
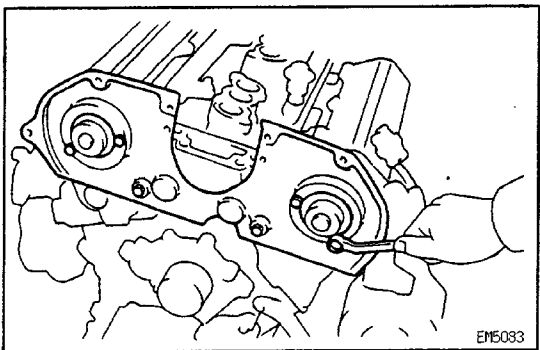
29 N-m (300 kgf-cm, 22 ft-lbf) for nut

18. INSTALL VSV BRACKET AND VSV TO PAIR REED VALVE

19. INSTALL NO.3 TIMING BELT COVER

Install the timing belt cover with the six bolts.

Torque: 8.3 N-m (85 kgf-cm, 74 in.-lbf)



20. INSTALL NO.2 IDLER PULLEY

- (a) Remove any old packing (FIPG) material and be careful not to drop any oil on the contact surfaces of the water outlet housing on the No.2 idler pulley and the intake manifold.

- Using a razor blade and gasket scraper, remove all the old packing (FIPG) material from the gasket surfaces and sealing groove.
- Thoroughly clean all components to remove all the loose material.
- Using a non-residue solvent, clean both sealing surfaces.

- (b) Apply seal packing to the sealing groove of the water outlet housing on the idler pulley as shown in the illustration.

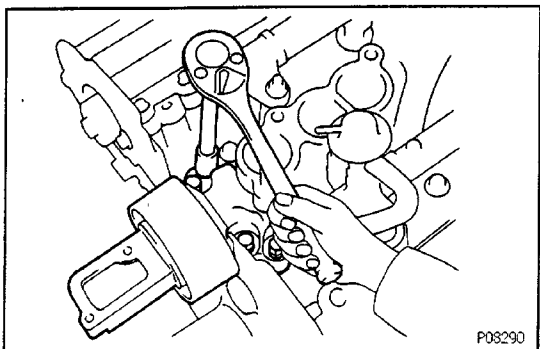
Seal packing:

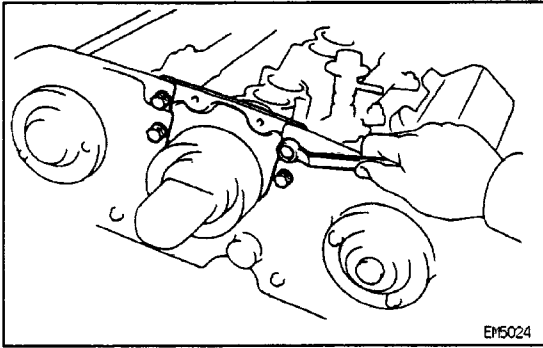
Part No. 08826-00100 or equivalent

- Install a nozzle that has been cut to a 2 - 3 mm (0.08 - 0.12 in.) opening.
- Parts must be assembled within 5 minutes of application. Otherwise the material must be removed and reapplied.
- Immediately remove nozzle from the tube and reinstall cap.

- (c) Install the idler pulley with the four bolts. Uniformly tighten the bolts in several passes.

Torque: 18 N-m (185 kgf-cm, 13 ft-lbf)



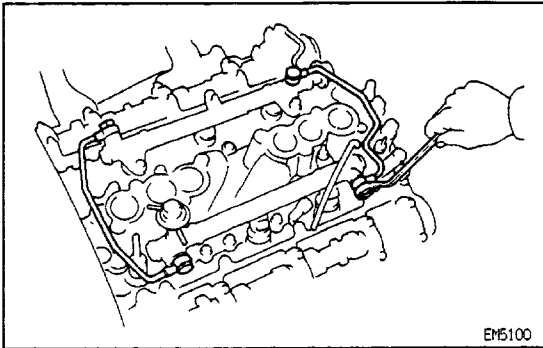


EM5024

21. INSTALL NO.4 TIMING BELT COVER

Install the timing belt cover with the four bolts.

Torque: 8.3 N-m (85 kgf-cm, 74 in.-lbf)



EM5100

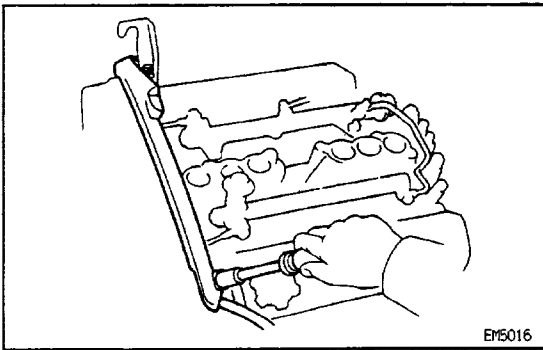
22. INSTALL NO.2 AND NO.3 FUEL PIPES

(a) Install the No.2 fuel pipe with four new gaskets and two union bolts.

Torque: 34 N-m (350 kgf-cm, 25 ft-lbf)

(b) Install the No.3 fuel pipe with four new gaskets and two union bolts.

Torque: 34 N-m (350 kgf-cm, 25 ft-lbf)



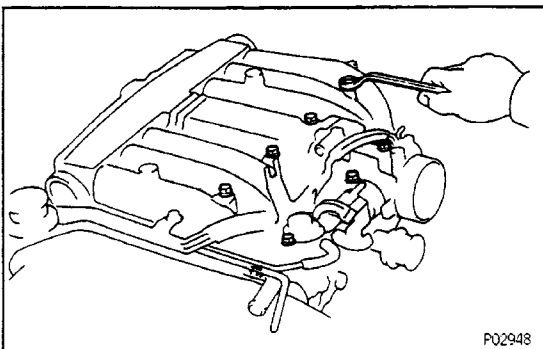
EM5016

23. INSTALL ENGINE WIRE

(a) Install the engine wire with the two bolts.

(b) Connect the following connectors:

- Injector connectors
- RH ground strap
- ECT sender gauge connector
- ECT sensor connector
- No.2 ECT switch connector
- Cold start injector time switch connector
- Knock sensor connector

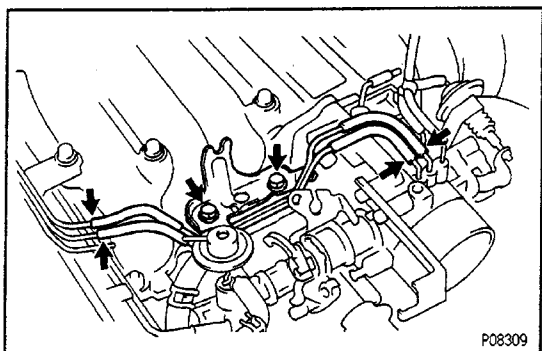


P02948

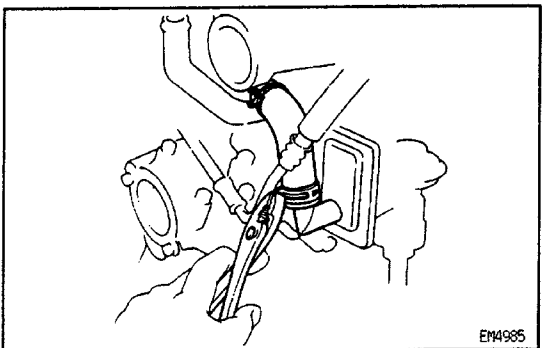
24. INSTALL AIR INTAKE CHAMBER

(a) Install a new gasket and the intake chamber with the six bolts and two nuts. .

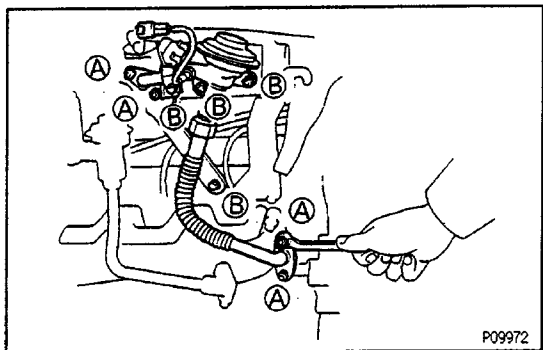
Torque: 18 N-m (185 kgf-cm, 13 ft-lbf)



- (b) Install the accelerator cable bracket with the two bolts.
- (c) Connect the four vacuum hoses to the air pipes.



- (d) Connect the No.1 air hose to the reed valve.



- (e) Install two new gaskets, the EGR valve, pipes assembly, air intake chamber stay and throttle cable bracket with the six nuts and two bolts.

Torque:

29 N-m (300 kgf-cm, 22 ft-lbf) for (A)

18 N-m (185 kgf-cm, 13 ft-lbf) for (B)

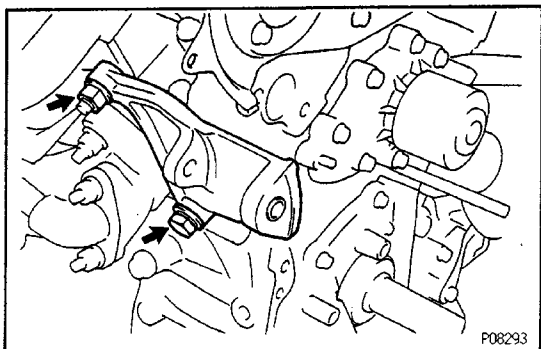
- (f) (C & C only)

Disconnect the two water by-pass hoses from the EGR valve.

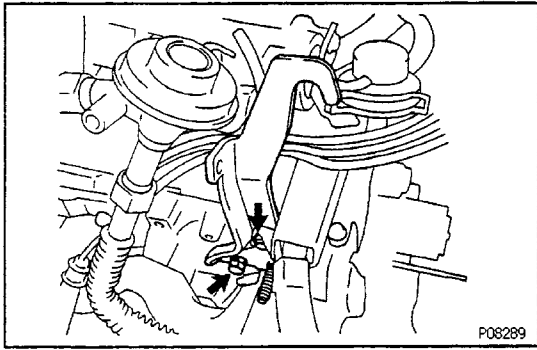
- (g) Connect the EGR hoses to the air pipe and EGR vacuum modulator.

- (h) (Calif. and C & C)

Connect the EGR gas temperature sensor connector.

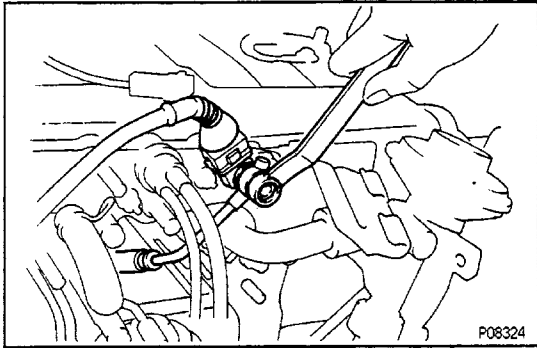


- (i) Install the PS pump bracket with the bolt and nut.



(j) Install No.1 engine hanger.

Torque: 40 N-m (410 kgf-cm, 30 ft-lbf)

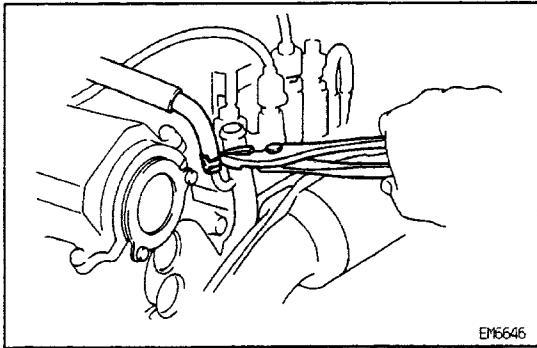


(k) Connect the cold start injector tube with two new gasket and the union bolt.

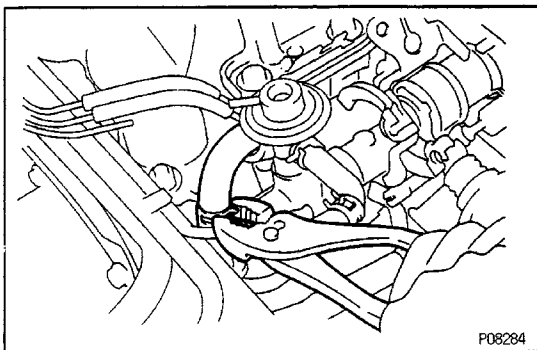
Torque: 15 N-m (150 kgf-cm, 11 ft-lbf)

(l) Connect the vacuum hose to the gas filter.

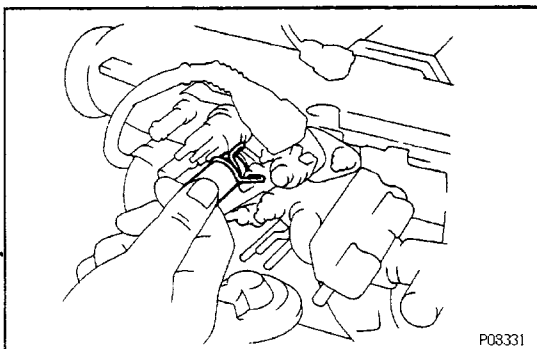
(m) Connect the cold start injector connector.



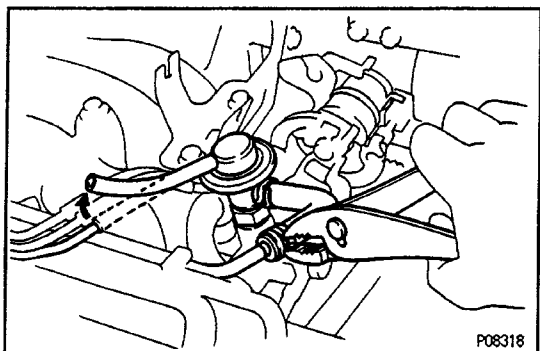
(n) Install the No.5 water by-pass hose to the water by-pass pipe.



(o) Connect the No.4 water by-pass hose to the union of intake manifold.



(p) Connect the PCV hose to the union.



- (q) Connect the vacuum and fuel hoses to the pressure regulator.
- (r) Connect the charcoal canister vacuum hose to the throttle body.
- (s) Connect the throttle position sensor connector.

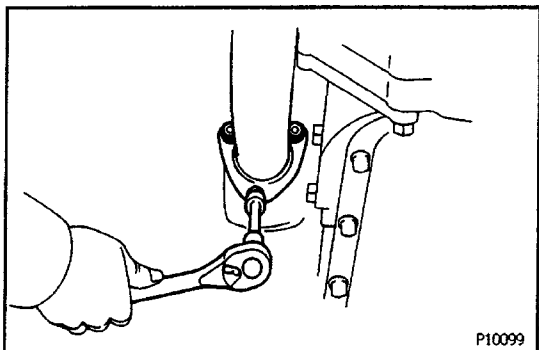
25. INSTALL TIMING BELT

See steps 2, 7 to 16, 22 and 24 on pages [EG2-41](#) to [48](#))

26. INSTALL DISTRIBUTOR

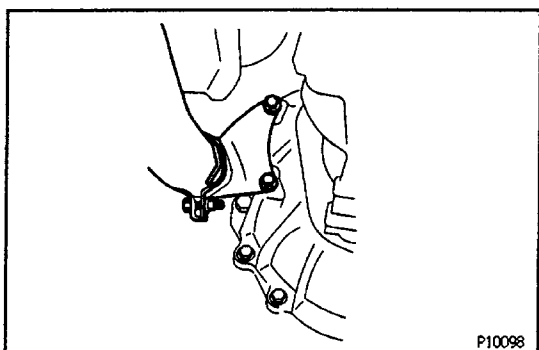
(See steps 1 and 2 on pages [IG-25](#) and [26](#))

27. CONNECT HIGH-TENSION CORDS TO SPARK PLUGS

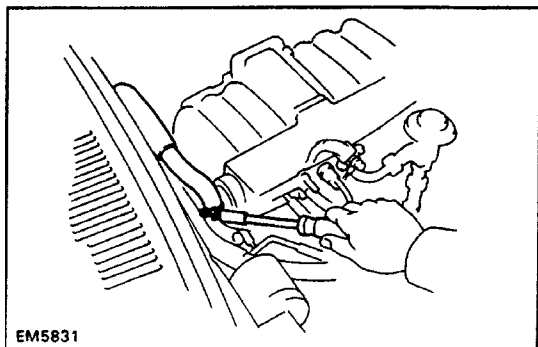


28. INSTALL FRONT EXHAUST PIPE

- (a) Connect the exhaust pipe to the LH exhaust manifold with new gasket and three new nuts.
Torque: 62 N-m (630 kgf-cm, 46 ft-lbf)
- (b) Connect the exhaust pipe to the catalytic converter with new gasket and the two bolts.
Torque: 39 N-m (400 kgf-cm, 29 ft-lbf)



- (c) Install the pipe bracket to the transmission with the two bolts.
- (d) Install the pipe bracket to the exhaust pipe with the pipe clamp.
- (e) Connect the oxygen sensor connector-.



29. CONNECT FUEL INLET AND OUTLET HOSES

30. CONNECT HEATER HOSES

31. CONNECT CABLES, HOSES, CONNECTORS, STRAP AND WIRES

(a) Connect the following cables:

- Accelerator cable
- (A/T only)
Throttle cable
- (w/ Cruise Control System)

Cruise control cable

(b) Connect the following hoses:

- PS air hoses to gas filter and air pipe
- Brake booster hose
(w/ Cruise Control System)
- Cruise control vacuum hose
- Charcoal canister hose from canister
- VSV vacuum hoses

(c) Connect the following strap, wires and connectors:

- Ground strap to LH fender apron
- Generator connector and wire
- Igniter connector
- Oil pressure sender gauge connector
- Ground strap to engine rear side
- ECM connectors
- VSV connectors
- A/C compressor connector
- (M/T only)
Starter relay connector
- Solenoid resistor connector
- Data link connector 1
(w/ ADD)
ADD switch connector

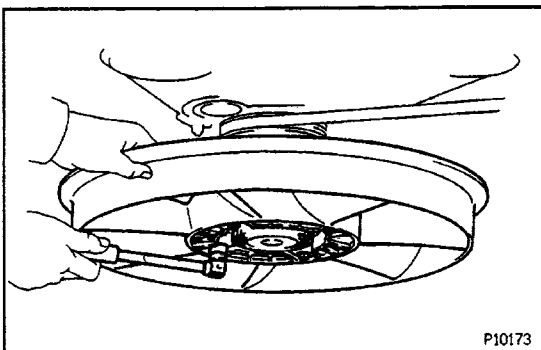
32. INSTALL GENERATOR DRIVE BELT

33. INSTALL COOLING FAN

Install the cooling fan with the four nuts.

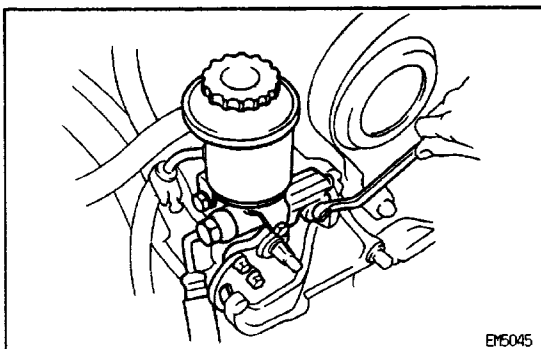
Torque: 5.4 N-m (55 kgf-cm, 48 in.-lbf)

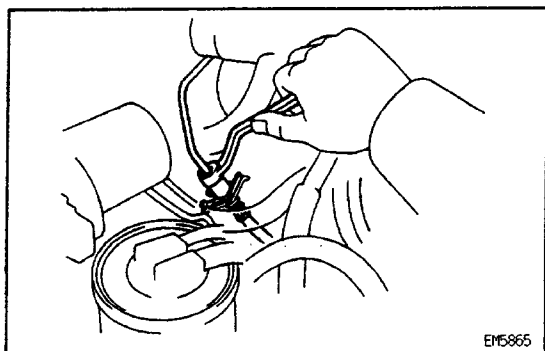
34. INSTALL A/C DRIVE BELT



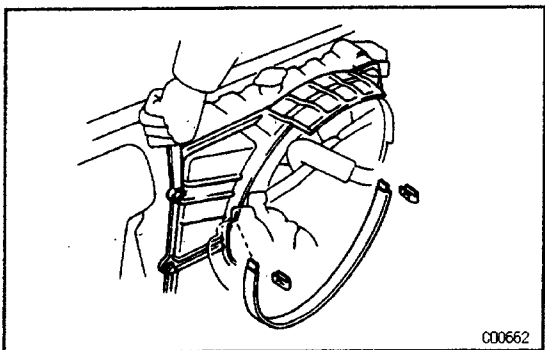
35. INSTALL PS PUMP

36. INSTALL PS PUMP PULLEY AND DRIVE BELT



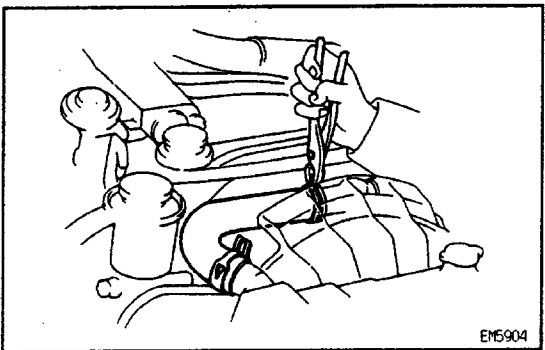


**37. (M/T only)
CONNECT CLUTCH RELEASE CYLINDER HOSE**



38. INSTALL RADIATOR

- (a) Install the radiator with the four bolts.
- (b) Install the No. fan shroud with the four bolts.
- (c) Install the No.2 fan shroud with the two clips.



- (d) Install the radiator hoses.
- (e) (A/T only)
Connect the oil cooler hoses.
- (f) Connect the reservoir tank hose.

39. INSTALL AIR CLEANER AND HOSE

40. CONNECT CABLE TO NEGATIVE TERMINAL OF BATTERY

41. FILL WITH ENGINE COOLANT

42. START ENGINE AND CHECK FOR LEAKS

43. PERFORM ENGINE ADJUSTMENT

(See Tune - Up on pages [EG2-12](#) to 27)

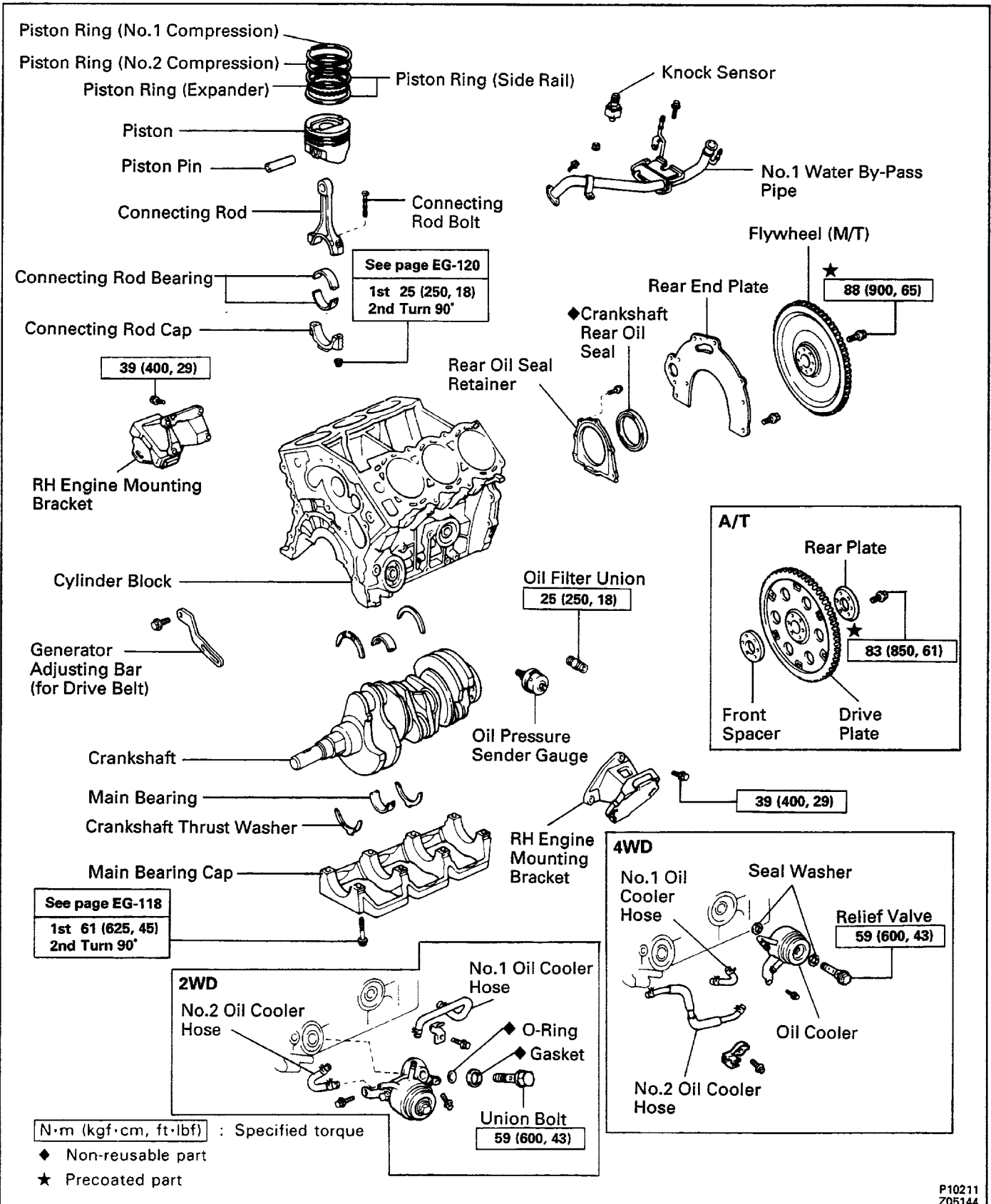
44. PERFORM ROAD TEST

Check for abnormal noise, shock, slippage, correct shift points and smooth operation.

45. RECHECK ENGINE COOLANT LEVEL AND OIL LEVEL

CYLINDER BLOCK COMPONENTS

EG1EG-08



ENGINE REMOVAL

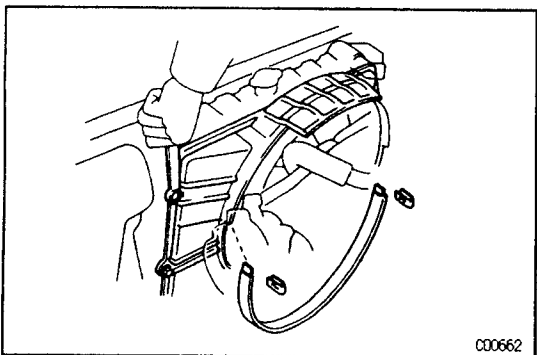
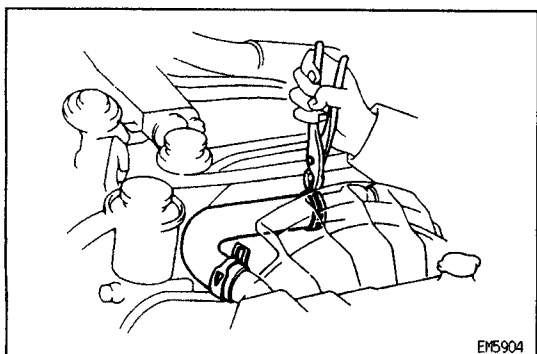
1. DISCONNECT CABLE FROM NEGATIVE TERMINAL OF BATTERY
2. REMOVE HOOD
3. REMOVE BATTERY
4. REMOVE ENGINE UNDER COVER
5. DRAIN ENGINE COOLANT
6. DRAIN ENGINE OIL
7. REMOVE AIR CLEANER AND HOSE
8. REMOVE RADIATOR

(a) Disconnect the reservoir hose.

(b) (A/T only)

Disconnect the oil cooler hoses.

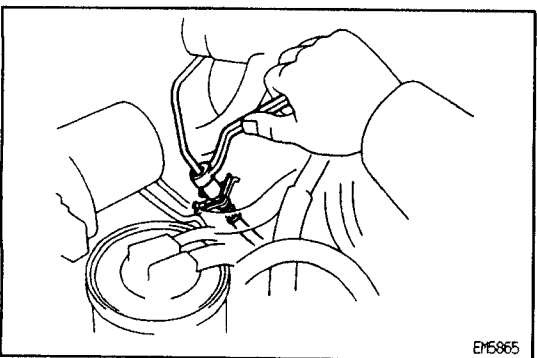
(c) Remove the radiator hoses.



(d) Remove the two clips and No.2 fan shroud.

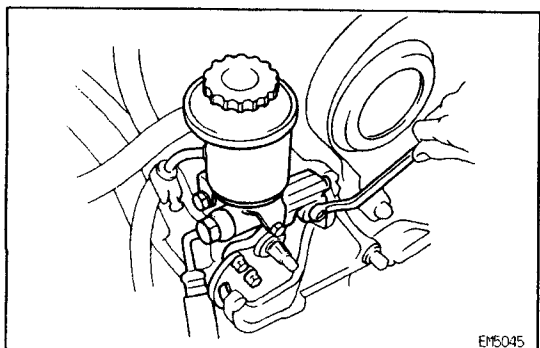
(e) Remove the four bolts and No.1 fan shroud.

(f) Remove the four bolts and radiator.



9. (M/T only)

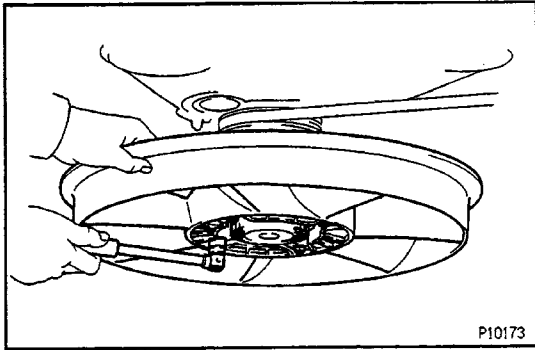
DISCONNECT CLUTCH RELEASE CYLINDER HOSE



10. REMOVE PS DRIVE BELT AND PUMP PULLEY

11. DISCONNECT PS PUMP FROM ENGINE

12. REMOVE A/C DRIVE BELT

**13. REMOVE COOLING FAN**

Remove the four nuts and cooling fan.

14. REMOVE GENERATOR DRIVE BELT**15. DISCONNECT STRAP, WIRES, CONNECTORS, HOSES AND CABLES**

(a) Disconnect the following strap, wires and connectors:

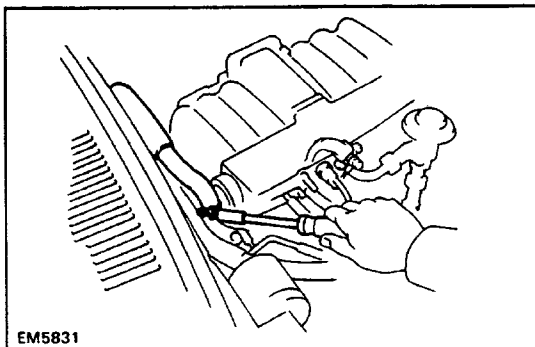
- Ground strap from LH fender apron
- Generator connector and wire
- Igniter connector
- Oil pressure sender gauge connector
- Ground strap from engine rear side
- ECM connectors
- VSV connectors
- A/C compressor connector
- (M/T only)
Starter relay connector
- Solenoid resistor connector
- Data link connector 1
- (w/ ADD)
ADD switch connector

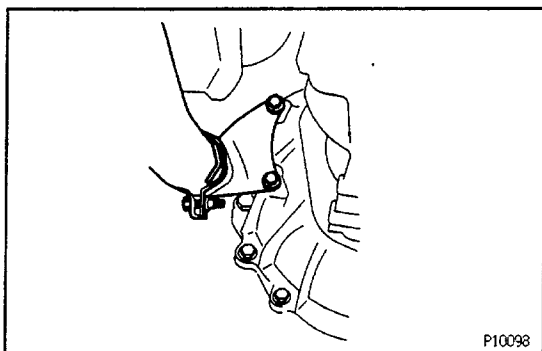
(b) Disconnect the following hoses:

- PS air hoses from gas filter and air pipe
- Brake booster hose
- (w/ Cruise Control System)
Cruise control vacuum hose
- Charcoal canister hose from canister
- VSV vacuum hoses

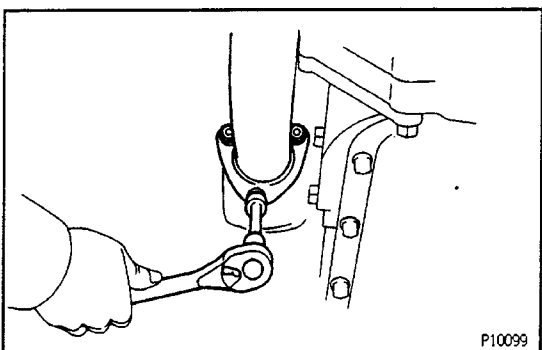
(c) Disconnect the following cables:

- Accelerator cable
- (A/T only)
Throttle cable
- (w/ Cruise Control System)
Cruise control cable

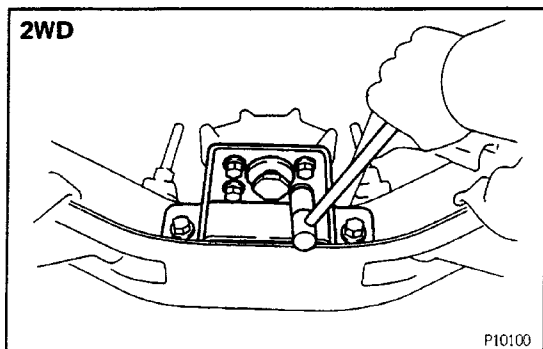
16. DISCONNECT HEATER HOSES**17. DISCONNECT FUEL INLET AND OUTLET HOSES****18. DISCONNECT A/C COMPRESSOR FROM ENGINE**

**19. REMOVE FRONT EXHAUST PIPE**

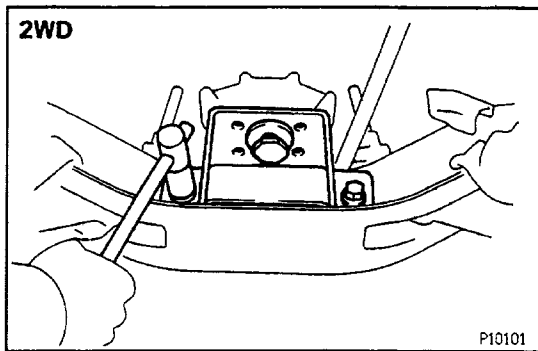
- (a) Disconnect the heated oxygen sensor connector.
- (b) Loosen the pipe clamp bolt.
- (c) Remove the two bolts and pipe bracket.
- (d) Remove the three nuts, and disconnect the exhaust pipe from the exhaust manifold. Remove the gasket.



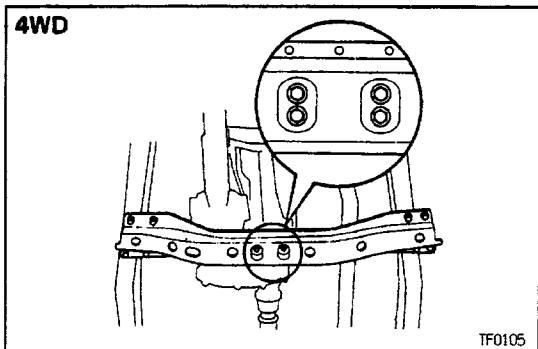
- (e) Remove the two bolts, joint retainer, exhaust pipe and gasket from the catalytic converter.

20. (M/T only)**REMOVE SHIFT LEVERS****21. REMOVE REAR PROPELLER SHAFT**(See page [PR-5](#))**22. (4WD only)****REMOVE FRONT PROPELLER SHAFT**(See page [PR-5](#))**23. (4WD A/T only)****DISCONNECT MANUAL SHIFT LINKAGE****24. DISCONNECT SPEEDOMETER CONNECTOR****NOTICE:** Do not lose the felt dust protector and washers.**25. (4WD only)****REMOVE TRANSFER UNDER COVER****26. (4WD only)****REMOVE STABILIZER BAR****27. REMOVE NO.1 FRAME CROSSMEMBER****28. REMOVE NO.1 FRONT FLOOR HEAT INSULATOR AND BRAKE TUBE HEAT INSULATOR (4WD)****29. (2WD)****REMOVE ENGINE REAR MOUNTING BRACKET**

- (a) Remove the four bolts holding the mounting bracket to the mounting insulator.



- (b) Raise the transmission slightly by raising the engine with a jack.
- (c) Remove the four bolts holding the mounting bracket to the support member, and remove the mounting bracket.



30. (4WD)

REMOVE NO.2 FRAME CROSSMEMBER

- (a) Remove the four bolts holding the engine rear mounting insulator to the frame crossmember.
- (b) Raise the transmission slightly with a jack.
- (c) Remove the eight bolts holding the frame crossmember to the side frame. Remove the frame crossmember.

31. REMOVE ENGINE AND TRANSMISSION ASSEMBLY FROM VEHICLE

- (a) Attach the engine chain hoist to the engine hangers.
- (b) Remove the four bolts holding the RH and LH engine mounting insulators to the body mountings.
- (c) Lift the engine and transmission assembly out of the vehicle slowly and carefully.

HINT: Make sure the engine is clear of all wiring, hoses and cables.

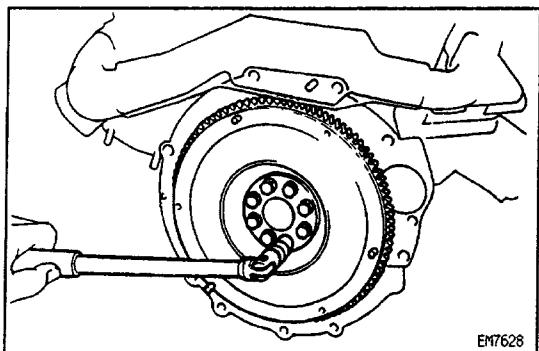
NOTICE: Be careful not hit the PNP switch.

- (d) Place the engine and transmission assembly onto the stand.

32. REMOVE TRANSMISSION FROM ENGINE

33. (M/T only)

REMOVE CLUTCH COVER AND DISC



EM7628

PREPARATION FOR DISASSEMBLY

(See Components)

1. REMOVE FLYWHEEL OR DRIVE PLATE

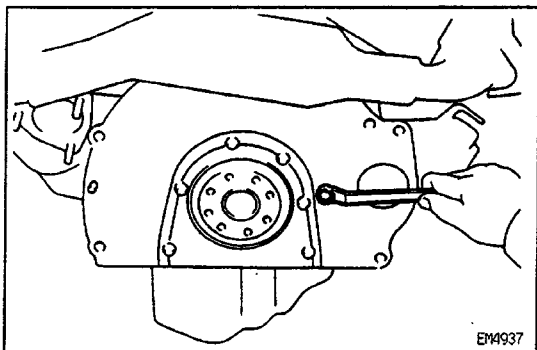
(a) Remove the eight bolts.

(b) (M/T)

Remove the flywheel.

(c) (A/T)

Remove the rear plate, drive plate and front spacer.

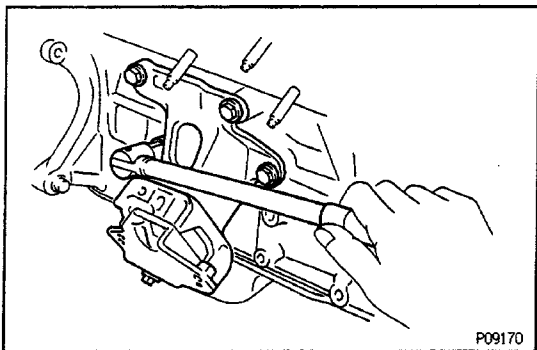


EM4937

2. REMOVE REAR END PLATE

Remove the bolt and rear end plate.

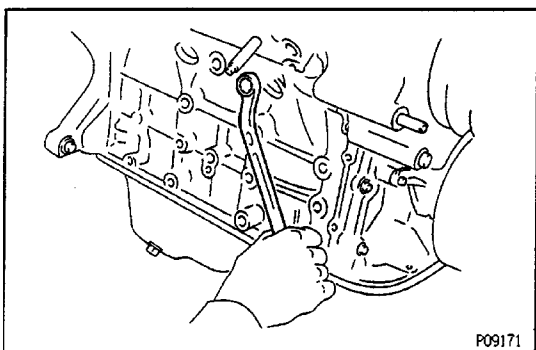
3. INSTALL ENGINE STAND FOR DISASSEMBLY



P09170

4. REMOVE RH AND LH ENGINE MOUNTING BRACKETS

Remove the four bolts and mounting bracket. Remove the two mounting brackets.



P09171

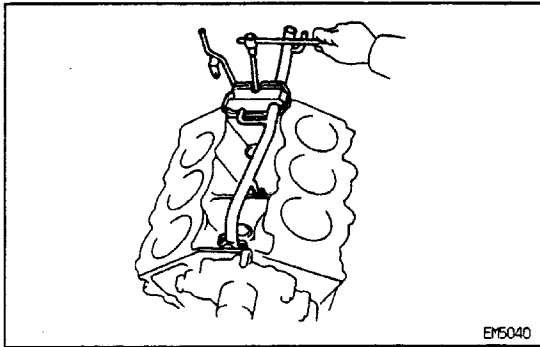
5. REMOVE ENGINE COOLANT DRAIN PLUGS

6. REMOVE TIMING BELT

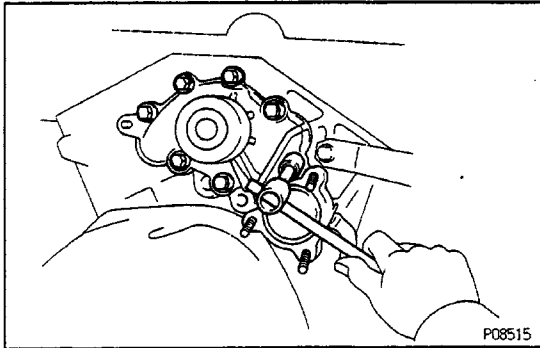
(See pages [EG2-33](#) to 38)

7. REMOVE CYLINDER HEADS

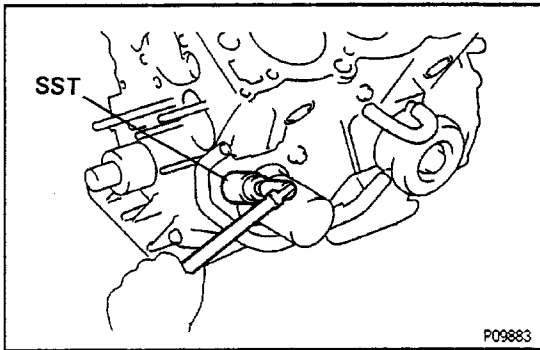
(See pages [EG2-53](#) to 60)

**8. REMOVE No.1 WATER BY-PASS PIPE**

Remove the two nuts, two bolts and water by-pass pipe.

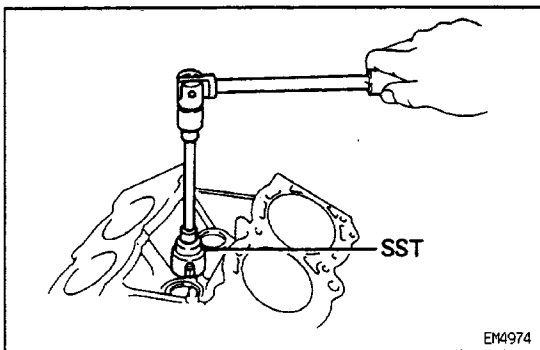
9. REMOVE THERMOSTAT**10. REMOVE WATER PUMP**

Remove the seven bolts and water pump.

11. REMOVE GENERATOR ADJUSTING BAR**12. REMOVE OIL PRESSURE SENDER GAUGE**

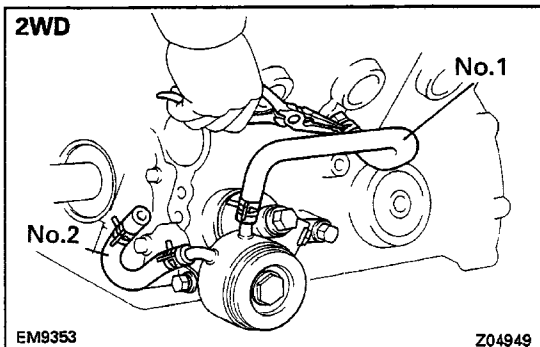
Using SST, remove the oil pressure sender gauge.

SST 09816 - 30010

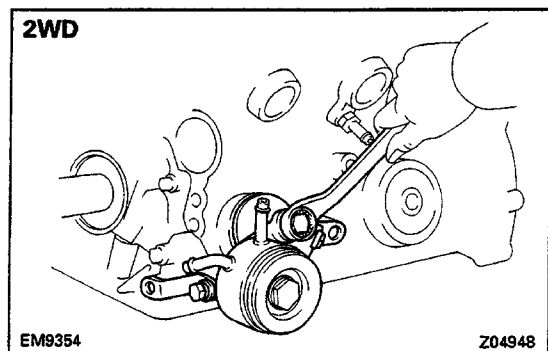
13. REMOVE OIL FILTER**14. REMOVE KNOCK SENSOR**

Using SST, remove the knock sensor.

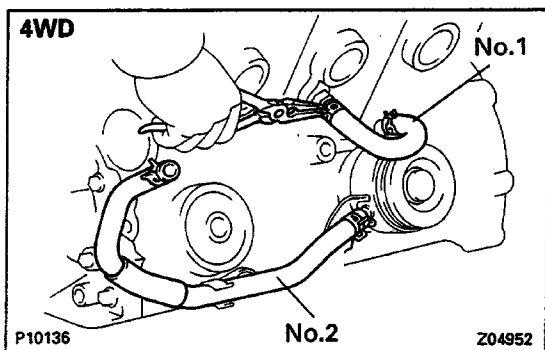
SST 09817-16011

**15. (2WD)****REMOVE OIL COOLER AND BRACKET ASSEMBLY**

(a) Remove the No.1 and No.2 oil cooler hoses.

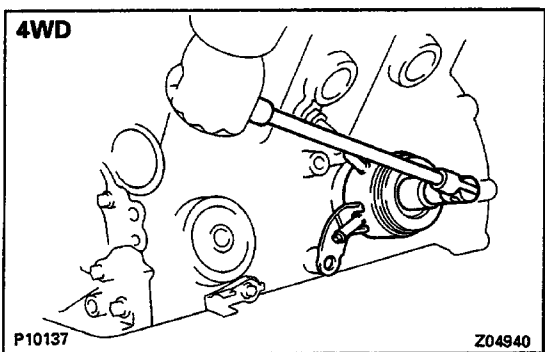


- (b) Remove the two bolts holding the bracket to the cylinder block.
- (c) Remove the union bolt, gasket, O-ring, the oil cooler, bracket assembly and O-ring.

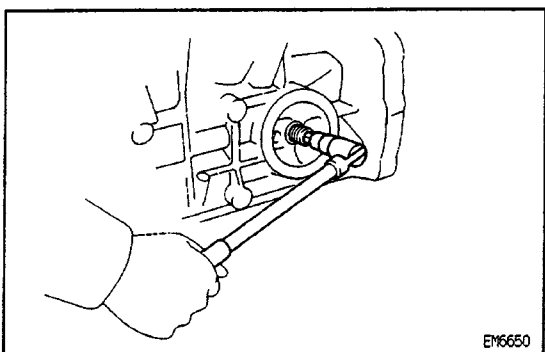


16. (4WD) REMOVE OIL COOLER

- (a) Remove the No.1 and No.2 oil cooler hoses.

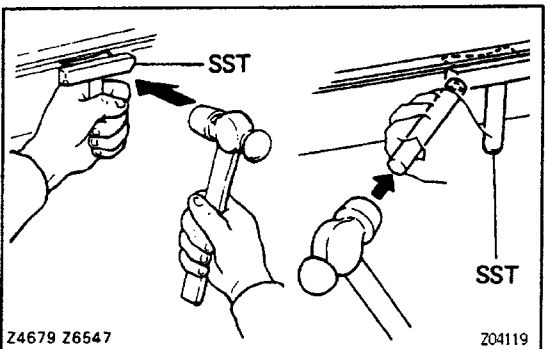


- (b) Remove the bolt holding the bracket to the cylinder block.
- (c) Remove the relief valve, seal washer, oil cooler and seal washer.
- (d) Remove the O-ring and gasket from the oil cooler.



17. REMOVE OIL FILTER UNION

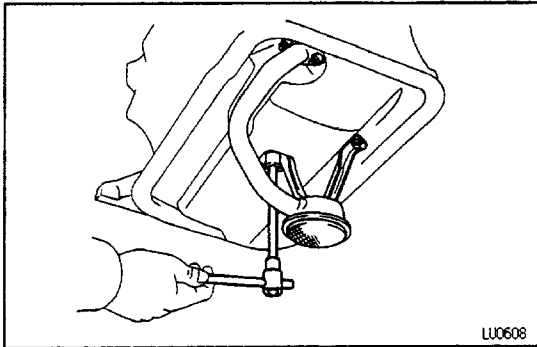
Using a 12 mm hexagon wrench, remove the oil filter union.



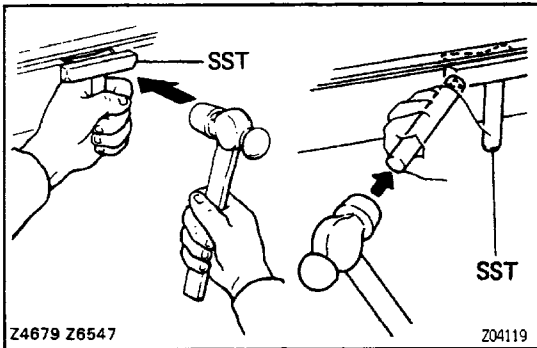
18. REMOVE OIL PAN

- (a) Remove the seventeen bolts and two nuts.
- (b) Insert the blade of SST between the baffle plate and oil pan, cut off applied sealer and remove the oil pan.
SST 09032-00100

NOTICE: Be careful not to damage the oil pan and baffle plate flanges.

**19. REMOVE OIL STRAINER**

Remove the two bolts, two nuts, oil strainer and gasket.

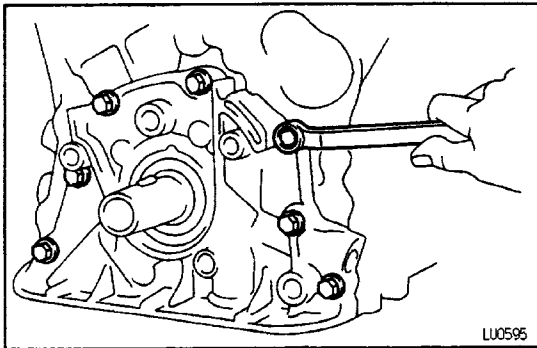
**20. REMOVE OIL PAN BAFFLE PLATE**

Insert the blade of SST between the cylinder block and baffle plate, cut off applied sealer and remove the baffle plate.

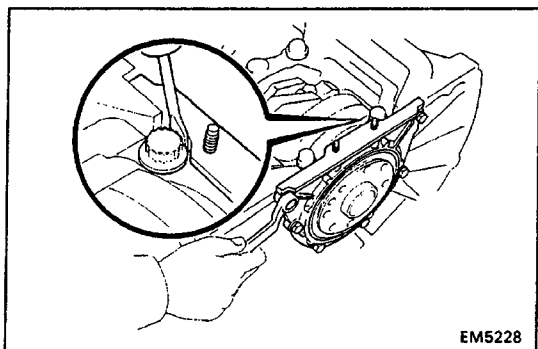
SST 09032 - 00100

NOTICE:

- Do not use SST for the oil pump and rear oil seal retainer.
- Be careful not to damage the baffle plate flange.

**21. REMOVE OIL PUMP**

- (a) Remove the seven bolts.
- (b) Using a plastic-faced hammer, carefully tap off the oil pump.
- (c) Remove the O-ring from the cylinder block.



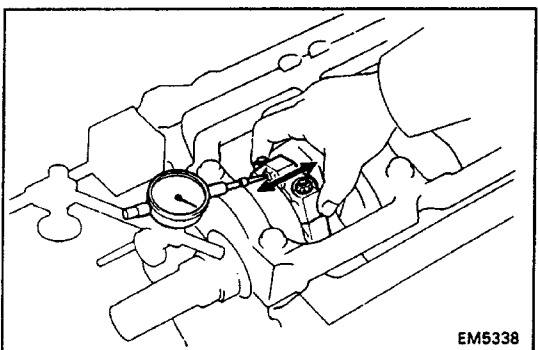
EM5228

CYLINDER BLOCK DISASSEMBLY

(See Components)

1. REMOVE REAR OIL SEAL RETAINER

Remove the six bolts and retainer.



EM5338

2. CHECK CONNECTING ROD THRUST CLEARANCE

Using a dial indicator, measure the thrust clearance while moving the connecting rod back and forth.

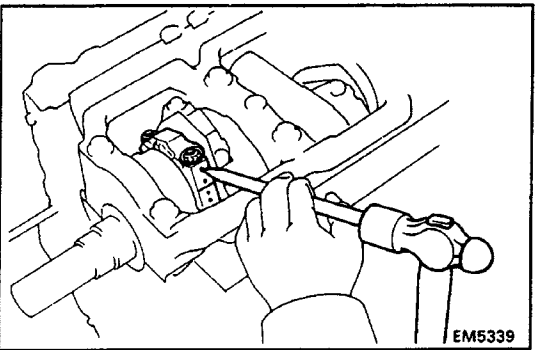
Standard thrust clearance:

0.150 – 0.330 mm (0.0059 – 0.0130 in.)

Maximum thrust clearance:

0.38 mm (0.0150 in.)

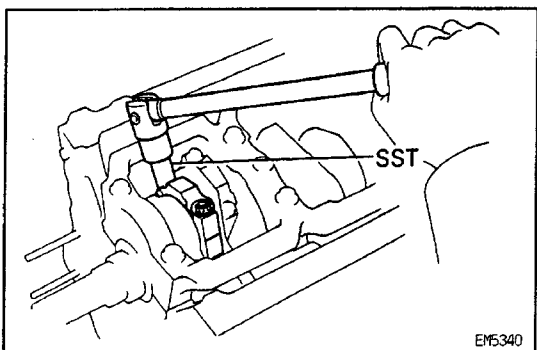
If the thrust clearance is greater than maximum, replace the connecting rod assembly. If necessary, replace the crankshaft.



EM5339

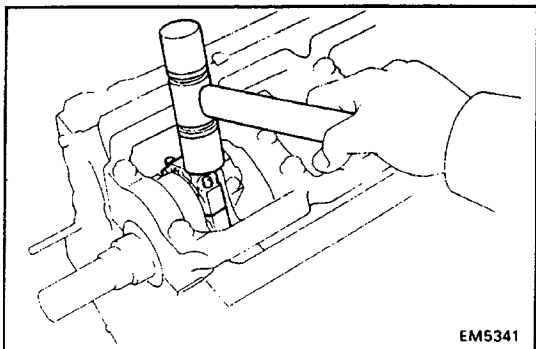
3. REMOVE CONNECTING ROD CAPS AND CHECK OIL CLEARANCE

(a) Using a punch or numbering stamp, mark the connecting rod and cap to ensure correct reassembly.



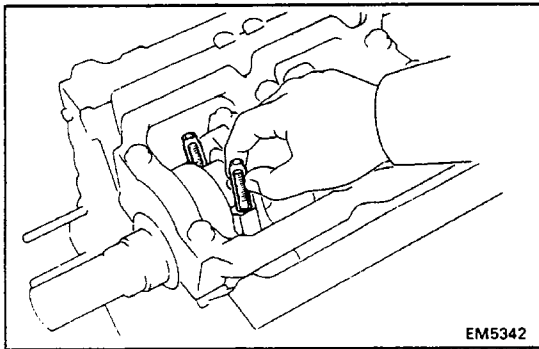
EM5340

(b) Remove the connecting rod cap nuts.

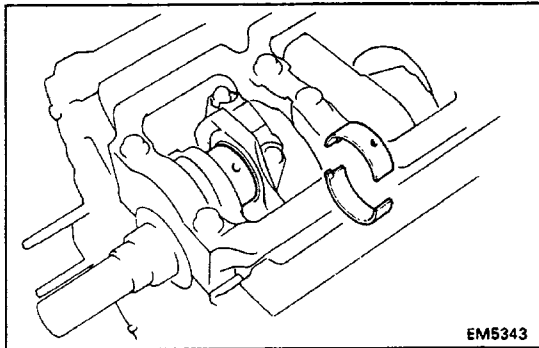


EM5341

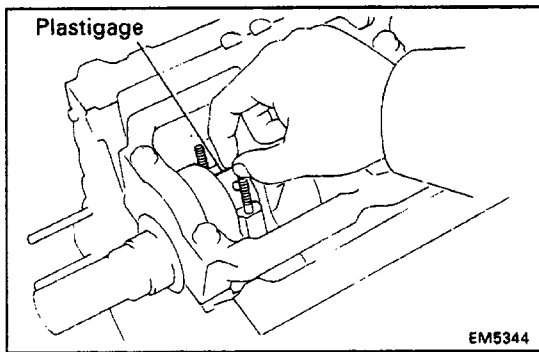
(c) Using a plastic-faced hammer, lightly tap the connecting rod bolts and lift off the connecting rod cap.
HINT: Keep the lower bearing inserted with the connecting rod cap.



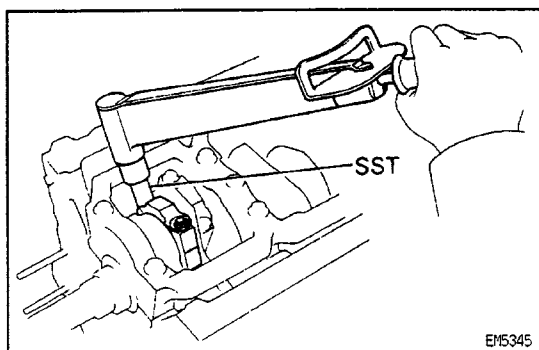
- (d) Cover the connecting rod bolts with a short piece of hose to protect the crankshaft from damage.



- (e) Clean the crank pin and bearing.
 (f) Check the crank pin and bearing for pitting and scratches.
 If the crank pin or bearing is damaged, replace the bearings. If necessary, grind or replace the crankshaft.



- (g) Lay a strip of Plastigage across the crank pin.



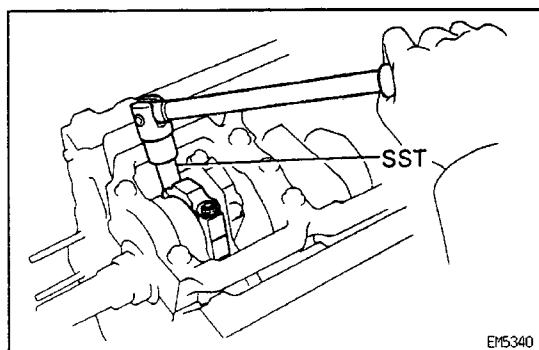
- (h) Install the connecting rod cap with the two nuts.
 (See step 7 on pages [EG2-120](#))

Torque:

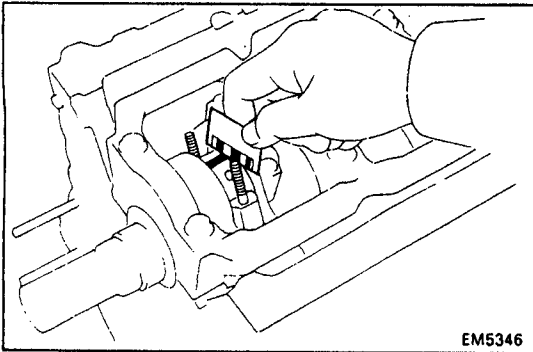
25 N-m (250 kgf-cm, 18 ft-lbf) for 1st

Turn 90° for 2nd

NOTICE: Do not turn the crankshaft.



- (i) Remove the two nuts and connecting rod cap.
 (See procedure (b) and (c) above)



EM5346

Measure the Plastigage at its widest point.

Standard oil clearance:

STD

0.024 – 0.053 mm (0.0009 – 0.0021 in.)

U/S 0.25 and U/S 0.50

0.023 – 0.069 mm (0.0009 – 0.0027 in.)

Maximum oil clearance:

0.08 mm (0.0031 in.)

If the oil clearance is greater than maximum, replace the bearings. If necessary, grind or replace the crankshaft.

HINT: If using a standard bearing, replace with one having the same number marked on the connecting rod cap. There are three sizes of standard bearings, marked "1", "2" and "3" accordingly.

(Reference)

Standard sized bearing center wall thickness:

Mark "1"

1.484 – 1.488 mm (0.0584 – 0.0586 in.)

Mark "2"

1.488 – 1.492 mm (0.0586 – 0.0587 in.)

Mark "3"

1.492 – 1.496 mm (0.0587 – 0.0589 in.)

Connecting rod big end inside diameter:

Mark '1'

58.000 – 58.008 mm (2.2835 – 2.2838 in.)

Mark '2'

58.008 – 58.016 mm (2.2838 – 2.2841 in.)

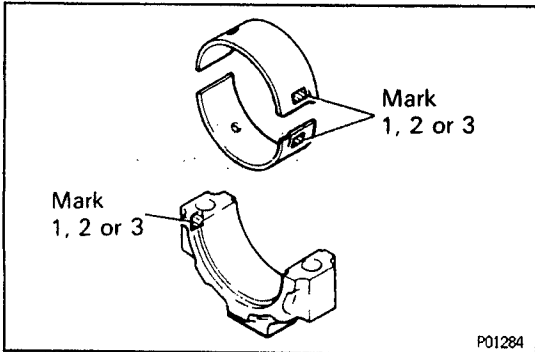
Mark "3"

58.016 – 58.024 mm (2.2841 – 2.2844 in.)

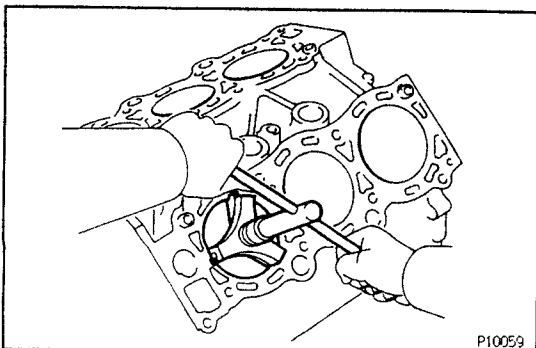
Crank pin diameter:

54.987 – 55.000 mm (2.1648 – 2.1654 in.)

(k) Completely remove the Plastigage.



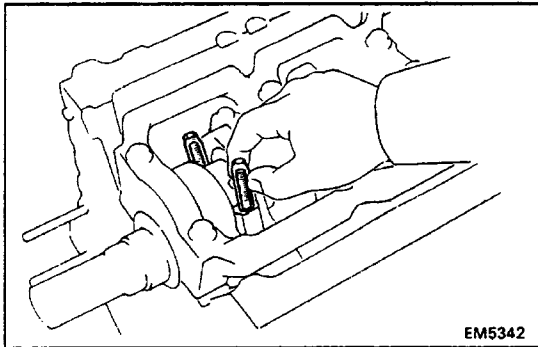
P01284



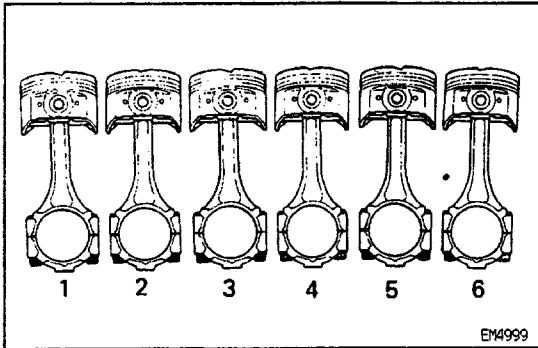
P10059

4. REMOVE PISTON AND CONNECTING ROD ASSEMBLIES

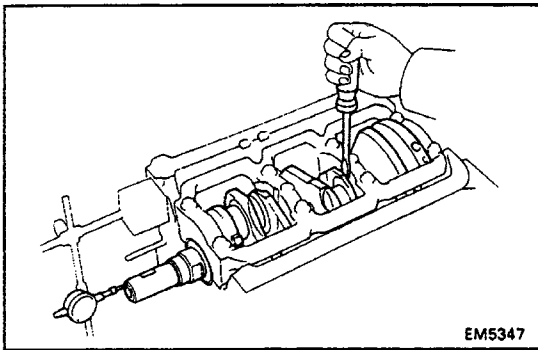
- (a) Using a ridge reamer, remove the all carbon from the top of the cylinder.



- (b) Cover the connecting rod bolts with a short piece of hose to protect the crankshaft from damage.
- (c) Push the piston, connecting rod assembly and upper bearing through the top of the cylinder block.

**HINT:**

- Keep the bearings, connecting rod and cap together.
- Arrange the piston and connecting rod assemblies in correct order.

**5. CHECK CRANKSHAFT THRUST CLEARANCE**

Using a dial indicator, measure the thrust clearance while prying the crankshaft back and forth with a screwdriver.

Standard thrust clearance:

0.020 – 0.220 mm (0.0008 – 0.0087 in.)

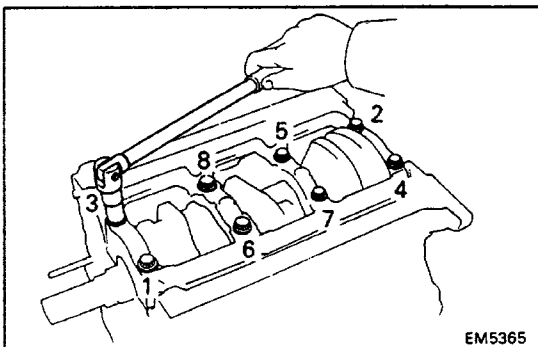
Maximum thrust clearance:

0.30 mm (0.0118 in.)

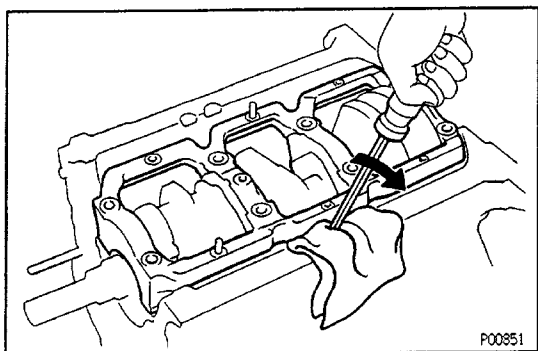
If the thrust clearance is greater than maximum, replace the thrust washers as a set.

Thrust washer thickness:

2.440 – 2.490 mm (0.0961 – 0.0980 in.)

**6. REMOVE MAIN BEARING CAP AND CHECK OIL CLEARANCE**

- (a) Uniformly loosen and remove the main bearing cap bolts in several passes, in the sequence shown.

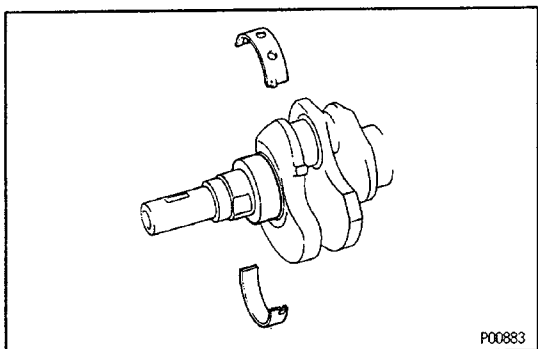


- (b) Using a screwdriver, pry up the main bearing cap, and remove the main bearing cap, lower main bearings and lower thrust washers (No.2 journal position of main bearing cap only).

HINT: Keep the lower main bearings and lower thrust washers together with the main bearing cap.

- (c) Lift out the crankshaft.

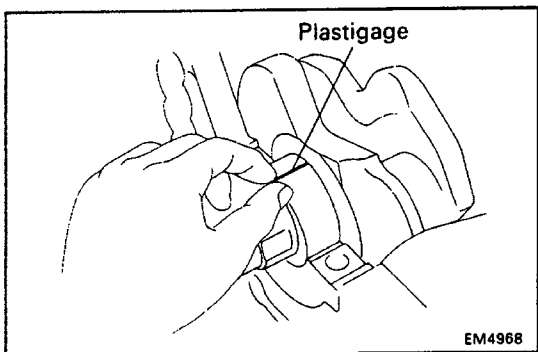
HINT: Keep the upper main bearings and upper thrust washers together with the cylinder block.



- (d) Clean each main journal and bearing.

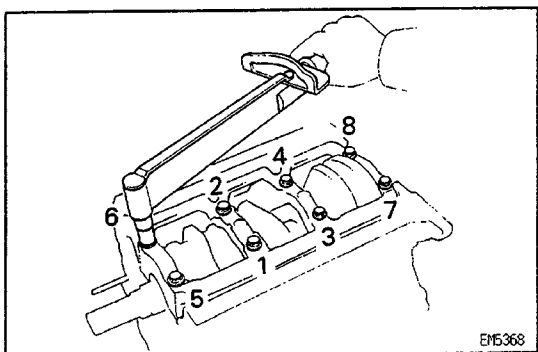
- (e) Check each main journal and bearing for pitting and scratches.

If the journal or bearing is damaged, replace the bearings. If necessary, grind or replace the crankshaft.



- (f) Place the crankshaft on the cylinder block.

- (g) Lay a strip of Plastigage across each journal.



- (h) Install the main bearing cap with the eight bolts.

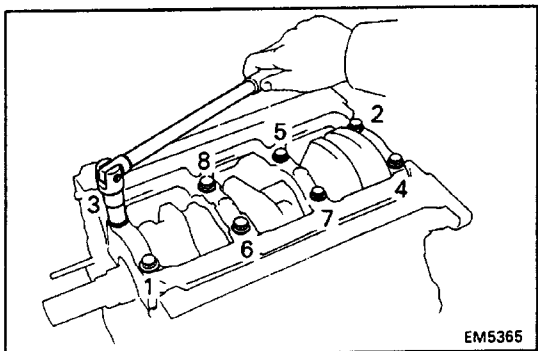
(See step 4 on page [EG2-118](#))

Torque:

61 N-m (625 kgf-cm, 45 ft-lbf) for 1 at

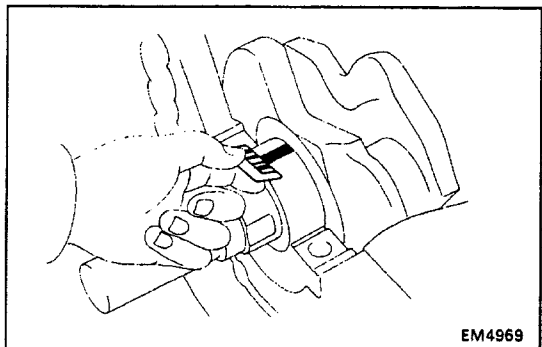
Turn 90° for 2nd

NOTICE: Do not turn the crankshaft.



- (i) Remove the eight bolts and main bearing cap.

(See procedure (a) and (b) above)



(j) Measure the Plastigage at its widest point.

Standard clearance:

No.1

STD

0.025 – 0.052 mm (0.0010 – 0.0020 in.)

U/S 0.25 and U/S 0.50

0.024 – 0.080 mm (0.0009 – 0.0031 in.)

others

STD

0.029 – 0.056 mm (0.0011 – 0.0022 in.)

U/S 0.25 and U/S 0.50

0.028 – 0.077 mm (0.0011 – 0.0030 in.)

Maximum clearance:

0.08 mm (0.0031 in.)

HINT: If replacing the cylinder block subassembly, the bearing standard clearance will be:

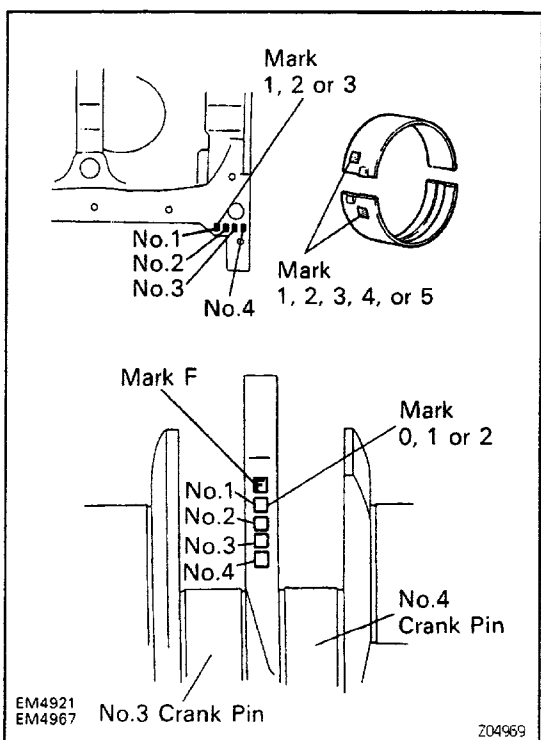
No.1

0.027 – 0.063 mm (0.0011 – 0.0025 in.)

Others

0.031 – 0.067 mm (0.0012 – 0.0026 in.)

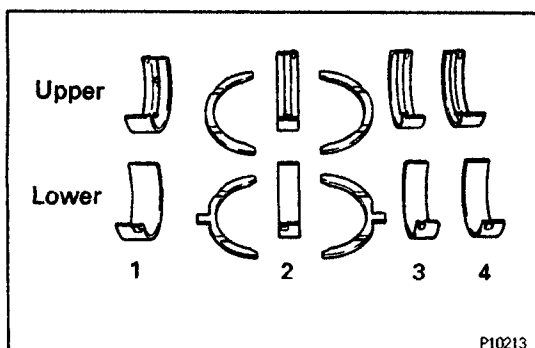
If the oil clearance is greater than maximum, replace the bearings. If necessary, grind or replace the crankshaft.

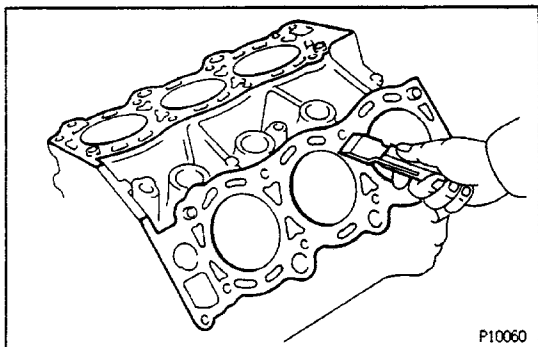


HINT: If using a standard bearing, replace with one having the same number. If the number of the bearing cannot be determined, select the correct bearing by adding together the numbers imprinted on the cylinder block and crankshaft, then selecting the bearing with the same number as the total. There are five sizes of standard bearings, marked "1", "2", "3", "4" and "5" accordingly.

	Number marked								
	1			2			3		
Cylinder block									
Crankshaft	0	1	2	0	1	2	0	1	2
Use bearing	1	2	3	2	3	4	3	4	5

EXAMPLE: Cylinder block "2" + Crankshaft "1"
= Total number 3 (Use bearing "3")

(Reference)**Standard sized bearing center wall thickness:****N o.1****Mark "1 "****1.991 – 1.994 mm (0.0784 – 0.0785 in.)****Mark '2'****1.994 – 1.997 mm (0.0785 – 0.0786 in.)****Mark '3'****1.997 – 2.000 mm (0.0786 – 0.0787 in.)****Mark '4'****2.000 – 2.003 mm (0.0787 – 0.0789 in.)****Mark '5'****2.003 – 2.006 mm (0.0789 – 0.0790 in.)****others****Mark '11'****1.989 – 1.992 mm (0.0783 – 0.0784 in.)****Mark '2'****1.992 – 1.995 mm (0.0784 – 0.0785 in.)****Mark "3'****1.995 – 1.998 mm (0.0785 – 0.0787 in.)****Mark '4'****1.998 – 2.001 mm (0.0787 – 0.0788 in.)****Mark '5'****2.001 – 2.004 mm (0.0788 – 0.0789 in.)****Cylinder block main journal bore diameter:****Mark 1'****68.010 – 68.016 mm (2.6776 – 2.6778 in.)****Mark '2'****68.016 – .68.022 mm (2.6778 – 2.6780 in.)****Mark '3'****68.022 – 68.028 mm (2.6780 – 2.6783 in.)****Crankshaft main journal diameter:****Mark '0'****63.996 – 64.000 mm (2.5195 – 2.5197 in.)****Mark "1"****63.990 – 63.996 mm (2.5193 – 2.5195 in.)****Mark '2'****63.985 – 63.990 mm (2.5191 – 2.5193 in.)****(k) Completely remove the Plastigage.****7. REMOVE CRANKSHAFT****(a) Lift out the crankshaft.****(b) Remove the upper main bearings and upper thrust washers from the cylinder block.****HINT: Arrange the main bearings and thrust washers in correct order.**



CYLINDER BLOCK INSPECTION

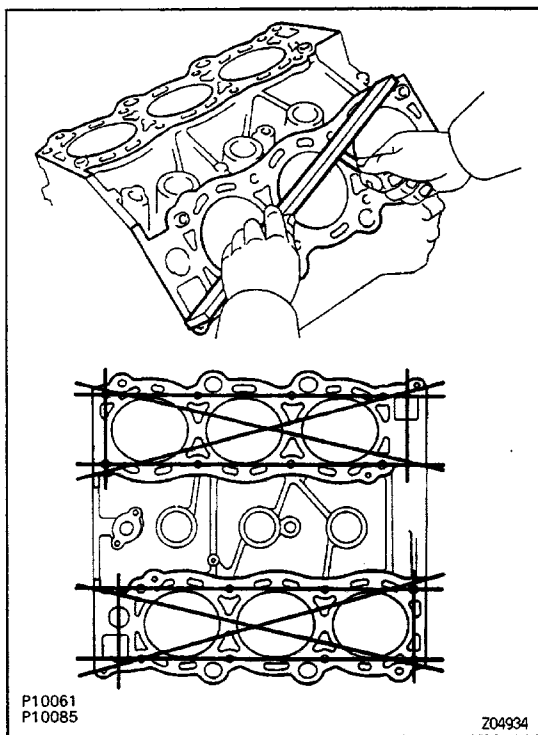
1. CLEAN CYLINDER BLOCK

A. Remove gasket material

Using a gasket scraper, remove all the gasket material from the top surface of the cylinder block.

B. Clean cylinder block

Using a soft brush and solvent, thoroughly clean the cylinder block.



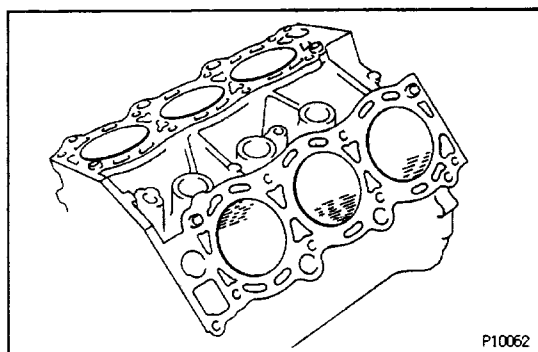
2. INSPECT TOP SURFACE OF CYLINDER BLOCK FOR FLATNESS

Using a precision straight edge and feeler gauge, measure the surfaces contacting the cylinder head gasket for warpage.

Maximum warpage:

0.05 mm (0.00020 in.)

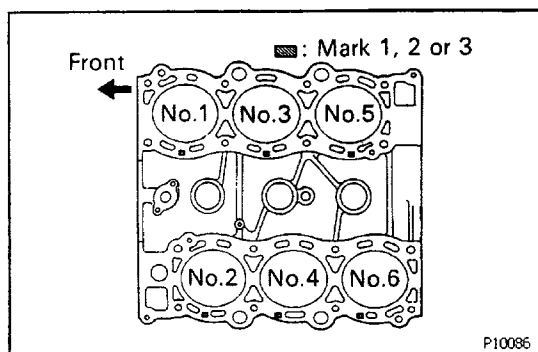
If warpage is greater than maximum, replace the cylinder block.



3. INSPECT CYLINDER FOR VERTICAL SCRATCHES

Visually check the cylinder for vertical scratches.

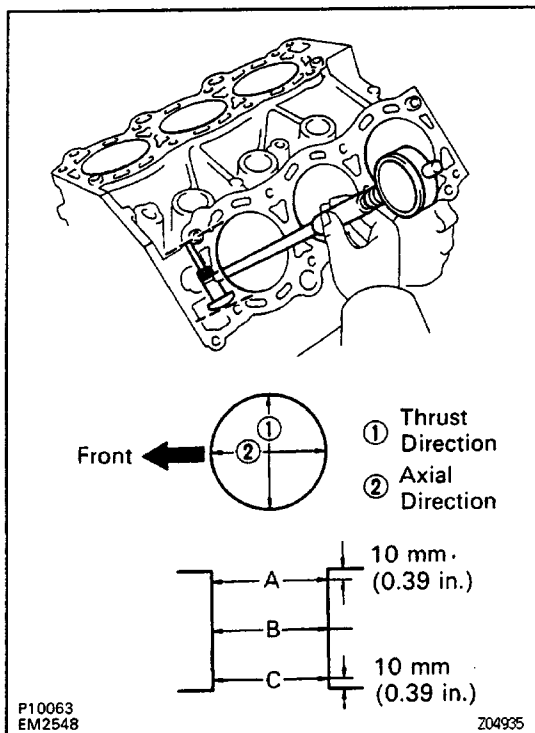
If deep scratches are present, rebore all the six cylinders. If necessary, replace the cylinder block.



4. INSPECT CYLINDER BORE DIAMETER

HINT: There are three sizes of the standard cylinder bore diameter, marked '1', '2' and '3' accordingly.

The mark is stamped on the top of the cylinder block.



Using a cylinder gauge, measure the cylinder bore diameter at positions A, B and C in the thrust and axial directions.

Standard diameter:

STD

Mark "1"

87.500 – 87.510 mm (3.4449 – 3.4453 in.)

Mark "2"

87.510–87.520 m m (3.4453–3.4457 in.)

Mark "3"

87.520–87.530 mm (3.4457–3.4461 in.)

Maximum diameter:

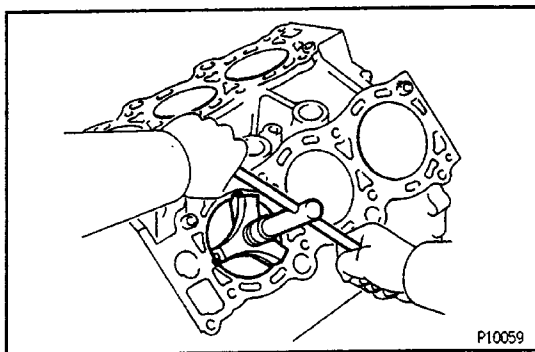
STD

87.73 mm (3.4539 in.)

O/S 0.50

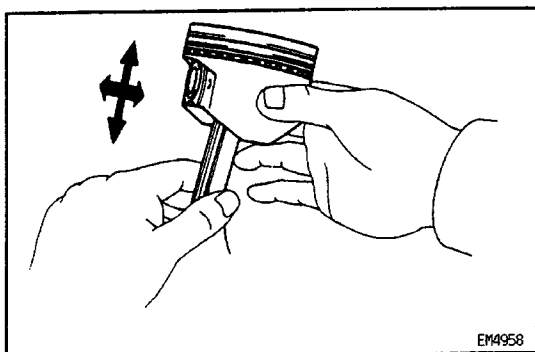
88.23 mm (3.4736 in.)

If the diameter is greater than maximum, rebore all the six cylinders, If necessary, replace the cylinder block.



5. REMOVE CYLINDER RIDGE

If the wear is less than 0.2 mm (0.008 in.), using a ridge reamer, grind the top of the cylinder.

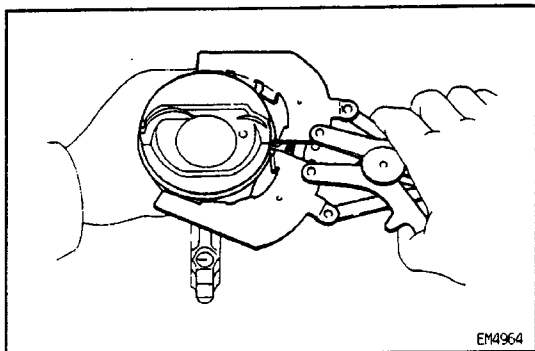


PISTON AND CONNECTING ROD DISASSEMBLY

1. CHECK FIT BETWEEN PISTON AND PISTON PIN

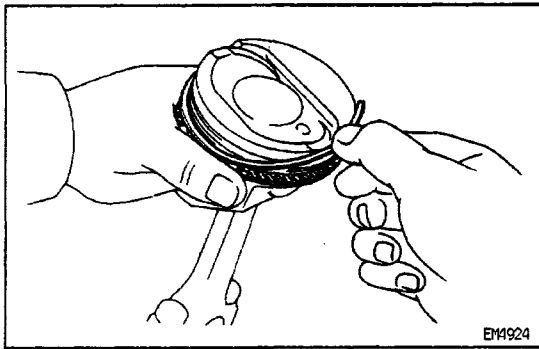
Try to move the piston back and forth on the piston pin.

If any movement is felt, replace the piston and pin as a set.

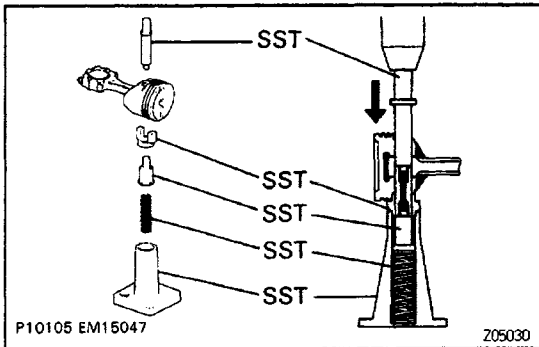


2. REMOVE PISTON RINGS

(a) Using a piston ring expander, remove the two compression rings.



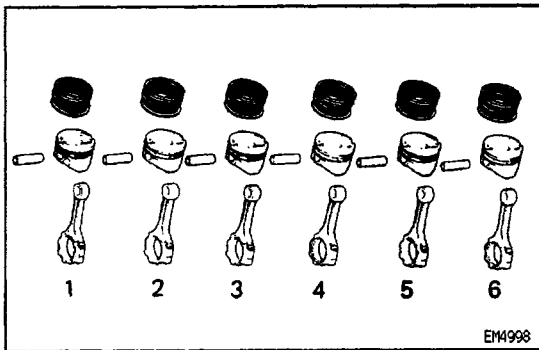
(b) Remove the two side rails and oil ring by hand.
 HINT: Arrange the piston rings in correct order only.



3. DISCONNECT CONNECTING ROD FROM PISTON

Using SST and a press, press out the piston pin from the piston. Remove the connecting rod.

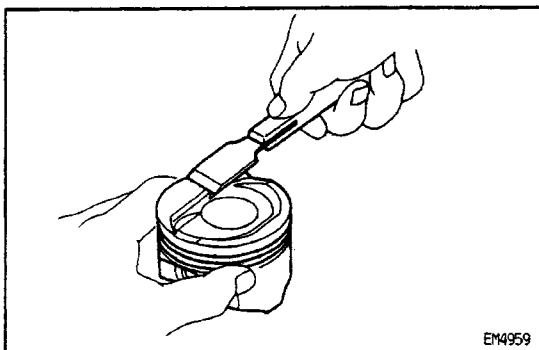
SST 09221- 25024 (09221 -00020, 09221- 00030, 09221- 00181, 09221 -00190, 09221- 00200)



HINT:

The piston and pin are a matched set.

Arrange the pistons, pins, rings, connecting rods and bearings in correct order.

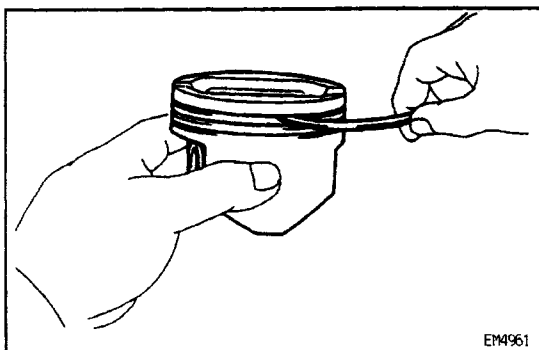


PISTON AND CONNECTING ROD INSPECTION

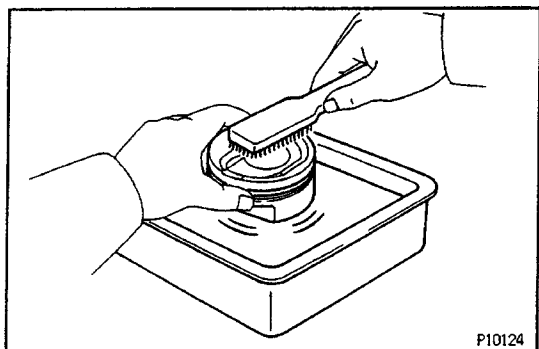
E0120-01

1. CLEAN PISTON

(a) Using a gasket scraper, remove the carbon from the piston top.

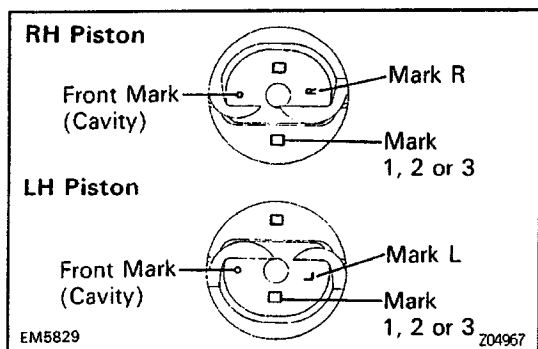


(b) Using a groove cleaning tool or broken ring, clean the piston ring grooves.



- (c) Using solvent and a brush, thoroughly clean the piston.

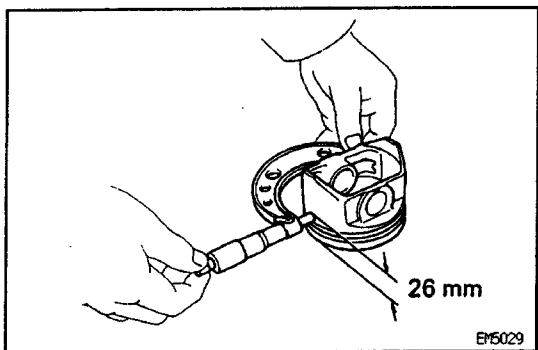
NOTICE: Do not use a wire brush.



2. INSPECT PISTON

A. Inspect piston oil clearance

HINT: There are three sizes of the standard piston diameter, marked "2" and "3" accordingly. The mark is stamped on the piston top.



- (a) Using a micrometer, measure the piston diameter at right angles to the piston pin center line, 26 mm (1.02 in.) from the piston head.

Piston diameter:

STD

Mark "1"

87.360 – 87.370 mm (3.4394 – 3.4398 in.)

Mark "2"

87.370 – 87.380 mm (3.4398 – 3.4402 in.)

Mark "3"

87.380 – 87.390 mm (3.4402 – 3.4405 in.)

O/S 0.50

87.860 – 87.890 mm (3.4590 – 3.4602 in.)

- (b) Measure the cylinder bore diameter in the thrust directions. (See step 4 on page [EG2-107](#))

- (c) Subtract the piston diameter measurement from the cylinder bore diameter measurement.

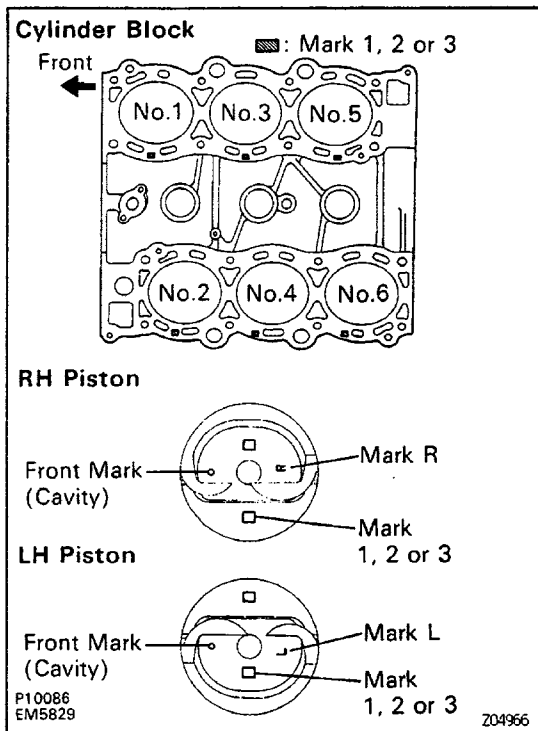
Standard oil clearance:

0.130 – 0.150 mm (0.0051 – 0.0059 in.)

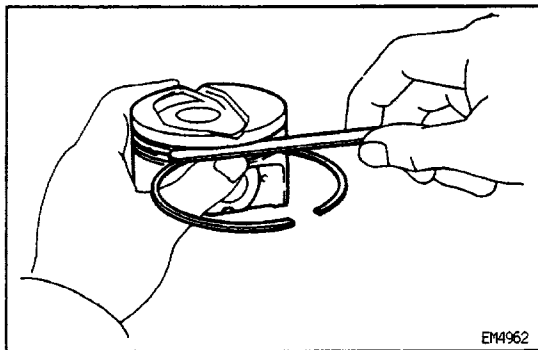
Maximum oil clearance:

0.17 mm (0.0067 in.)

If the oil clearance is greater than maximum, replace all the six pistons. If necessary, rebore all the six cylinders or replace the cylinder block.

**HINT (Use new cylinder block):**

- Use a piston with the same number mark as the cylinder diameter marked on the cylinder block.
- The shape of the piston varies for the RH and LH banks. The RH piston is marked with "R", the LH piston with "L".

**B. Inspect piston ring groove clearance**

Using a feeler gauge, measure the clearance between new piston ring and the wall of the piston ring groove.

Standard ring groove clearance:**No.1**

0.020 – 0.060 mm (0.0008 – 0.0024 in.)

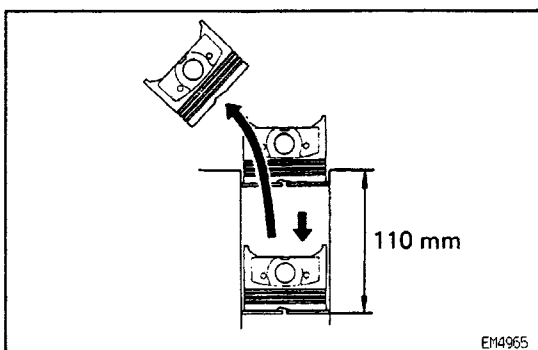
No.2

0.030 – 0.070 mm (0.0012 – 0.0028 in.)

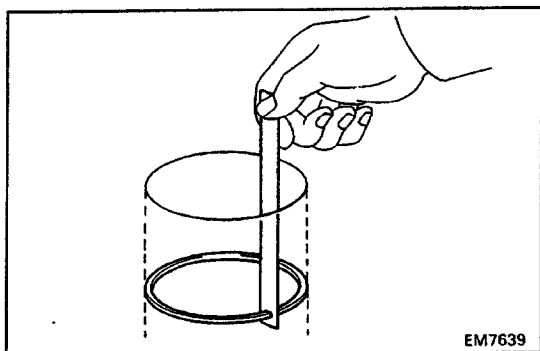
Maximum ring groove clearance:

0.20 mm (0.0079 in.)

If the clearance is greater than maximum, replace the piston.

**C. Inspect piston ring end gap**

- Insert the piston ring into the cylinder bore.
- Using a piston, push the piston ring a little beyond the bottom of the ring travel, 110 mm (4.33 in.) from the top of the cylinder block.



(c) Using a feeler gauge, measure the ring end gap.

Standard ring end gap:

N o.1

0.280 – 0.500 mm (0.0110 – 0.0197 in.)

No.2

0.380 – 0.600 mm (0.0150 – 0.0236 in.)

Oil (Side rail)

0.150 – 0.500 mm (0.0059 – 0.0197 in.)

Maximum ring end gap:

N o.1

1.10 mm (0.0433 in.)

N o.2

1.20 mm (0.0472 in.)

Oil (Side rail)

1.10 mm (0.0433 in.)

If the end gap is greater than maximum, replace the piston ring. If the end gap is greater than maximum, even with a new piston ring, rebore all the six cylinders or replace the cylinder block.

3. INSPECT CONNECTING ROD

A. Inspect connecting rod alignment

Using a rod aligner and feeler gauge, check the connecting rod alignment.

- Check for bend.

Maximum bend:

0.05 mm (0.0020 in.) per 100 mm (3.94 in.)

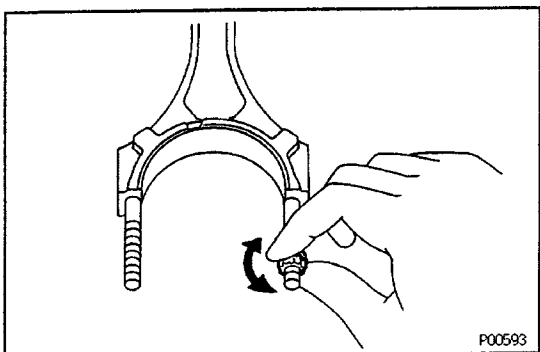
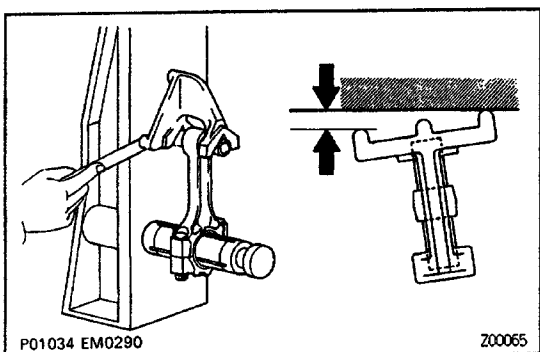
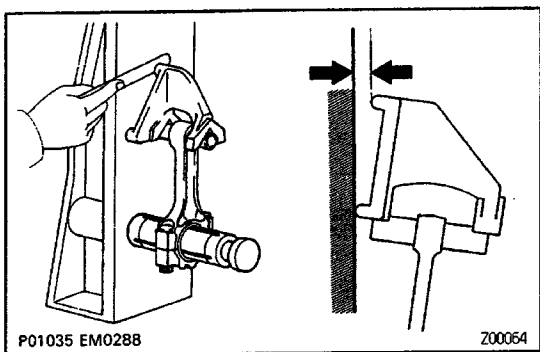
If bend is greater than maximum, replace the connecting rod assembly.

- Check for twist.

Maximum twist:

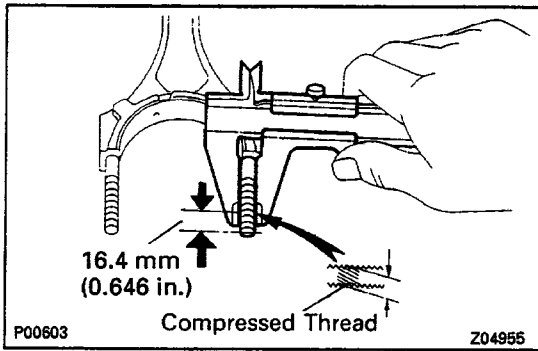
0.15 mm (0.0059 in.) per 100 mm (3.94 in.)

If twist is greater than maximum, replace the connecting rod assembly.



B. Inspect connecting rod bolts

(a) Install the cap nut to the connecting rod bolt. Check that the rod cap nut can be turned easily by hand to the end of the thread.



(b) If the cap nut cannot be turned easily, measure the outer diameter of the compressed thread with a vernier caliper.

Standard outer diameter:

7.860 – 8.000 mm (0.3034 – 0.3150 in.)

Minimum outer diameter:

7.60 mm (0.2992 in.)

HINT: If the location of this area cannot be judged by visual inspection, measure the outer diameter at the location shown in the illustration.

If the outer diameter is less than minimum, replace the connecting rod and rod cap nut as a set.

CYLINDER BORING

EG12R-01

HINT:

- Bore all the six cylinders for the oversized piston outside diameter.
- Replace all the piston rings with ones to match the oversized pistons.

1. KEEP OVERSIZED PISTONS

Oversized piston diameter:

O/S 0.50

87.860 – 87.890 mm (3.4590 – 3.4602 in.)

2. CALCULATE AMOUNT TO BORE CYLINDERS

(a) Using a micrometer, measure the piston diameter at right angles to the piston pin center line, 26 mm (1.02 in.) from the piston head.

(b) Calculate the amount of each cylinder is to be rebored as follows:

Size to be rebored = P + C – H

P = Piston diameter

C = Piston oil clearance

0.130 – 0.150 mm (0.0051 – 0.0059 in.)

H = Allowance for honing

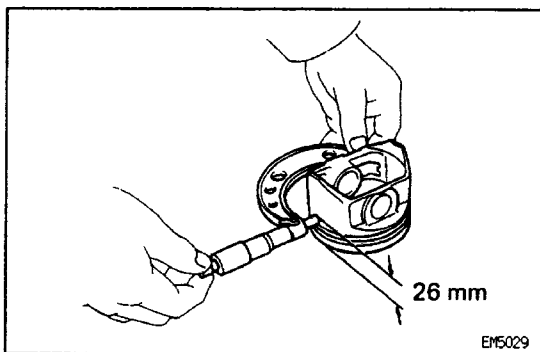
0.02 mm (0.0008 in.) or less

3. BORE AND HONE CYLINDER TO CALCULATED DIMENSIONS

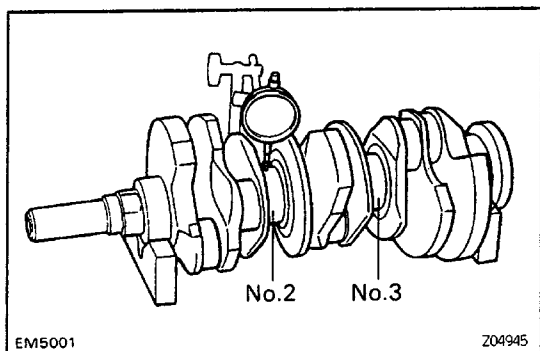
Maximum honing:

0.02 mm (0.0008 in.)

NOTICE: Excess honing will destroy the finished roundness.



eotts-01



CRANKSHAFT INSPECTION AND REPAIR

1. INSPECT CRANKSHAFT FOR RUNOUT

- (a) Place the crankshaft on V-blocks.
- (b) Using a dial indicator, measure the circle runout at the No.2 and No.3 journals.

Maximum circle runout:
0.06 mm (0.0024 in.)

If the circle runout is greater than maximum, replace the crankshaft..

2. INSPECT MAIN JOURNALS AND CRANK PINS

- (a) Using a micrometer, measure the diameter of each main journal and crank pin.

Main Journal diameter:

STD

63.985 – 64.000 mm (2.5191 – 2.5197 in.)

U/S 0.25

63.745 – 63.755 mm (2.5096 – 2.5100 in.)

U/S 0.50

63.495 – 63.505 mm (2.4998 – 2.5002 in.)

Crank pin diameter:

STD

54.987 – 55.000 mm (2.1648 – 2.1654 in.)

U/S 0.25

54.745 – 54.755 mm (2.1553 – 2.1557 in.)

U/S 0.50

54.495 – 54.505 mm (2.1455 – 2.1459 in.)

If the diameter is not as specified, check the oil clearance. (See 3 or 6 page [EG2-99](#) or 102)

- (b) Check each main journal and crank pin for taper and out-of-round as shown.

Maximum taper and out-of-round:

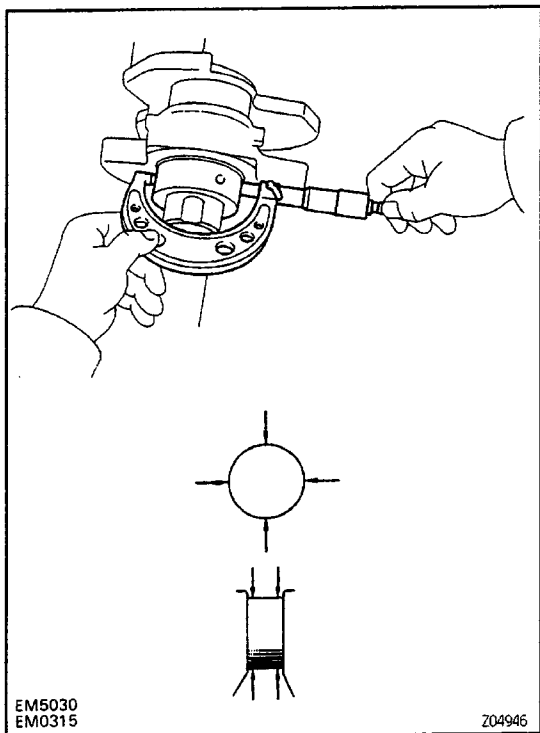
0.02 mm (0.0008 in.)

If the taper or out-of-round is greater than maximum, grind or replace the crankshaft.

3. IF NECESSARY, GRIND AND HONE MAIN JOURNALS AND/OR CRANK PINS

Grind and hone the main journals and/or crank pins to the finished undersized diameter (See procedure step 2).

Install new main journal and/or crank pin undersized bearings.



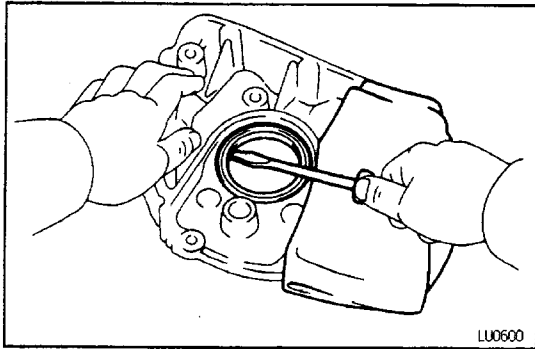
CRANKSHAFT OIL SEALS REPLACEMENT

HINT: There are two methods (A and B) to replace the oil seal which are as follows:

1. REPLACE CRANKSHAFT FRONT OIL SEAL

A. If oil pump is removed from cylinder block:

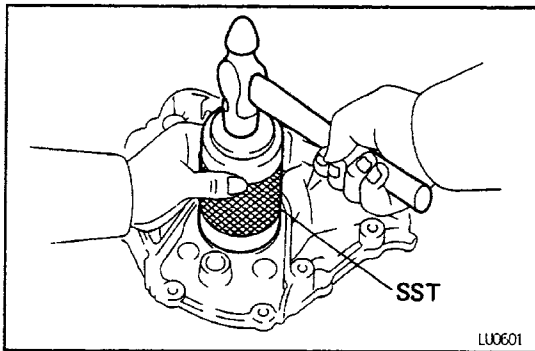
(a) Using a screwdriver, pry out the oil seal.



(b) Using SST and a hammer, tap in a new oil seal until its surface is flush with the oil pump body edge.

SST 09309-37010

(c) Apply MP grease to the oil seal lip.

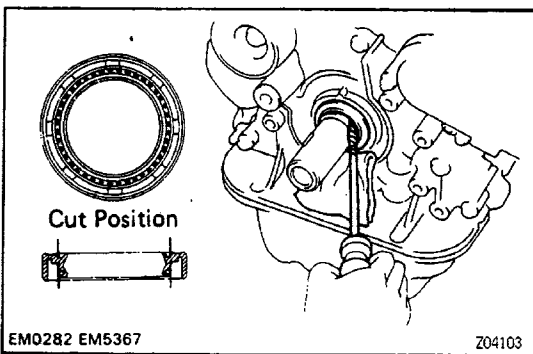


B. If oil pump is installed to the cylinder block:

(a) Using a knife, cut off the oil seal lip.

(b) Using a screwdriver, pry out the oil seal.

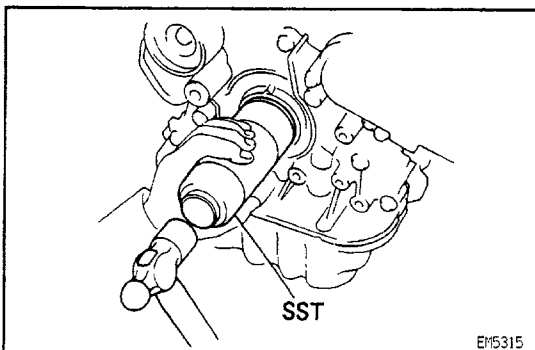
NOTICE: Be careful not to damage the crankshaft. Tape the screwdriver tip.

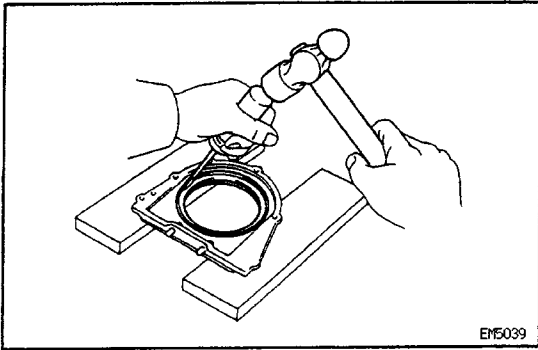


(c) Apply MP grease to a new oil seal lip.

(d) Using SST and a hammer, tap in the oil seal until its surface is flush with the oil pump body edge.

SST 09306-37010

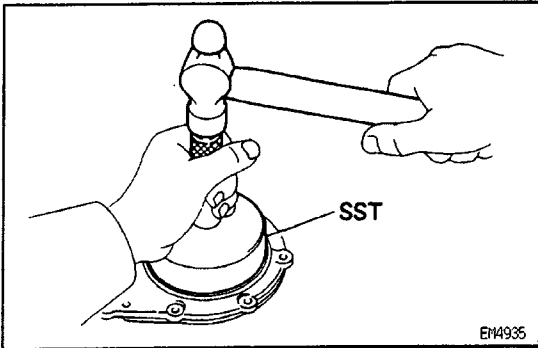




2. REPLACE CRANKSHAFT REAR OIL SEAL

A. If rear oil seal retainer is removed from cylinder block:

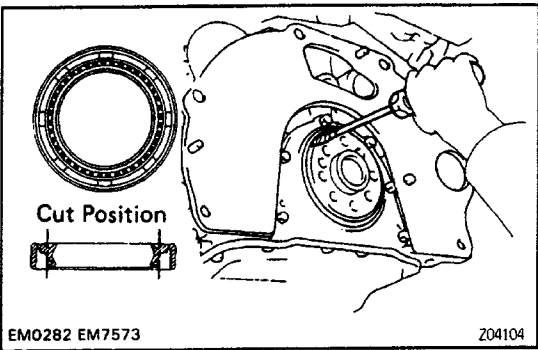
(a) Using a screwdriver and hammer, tap out the oil seal.



(b) Using SST and a hammer, tap in a new oil seal until its surface is flush with the rear oil seal retainer edge.

SST 09223-56010

(c) Apply MP grease to the oil seal lip.

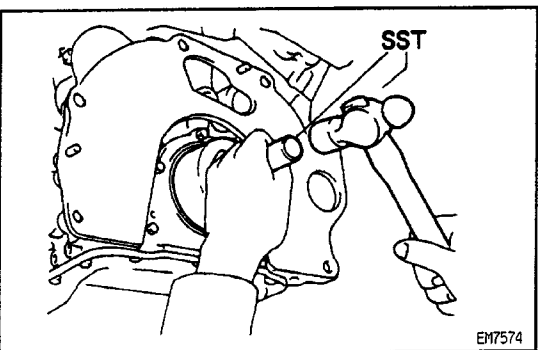


B. If rear oil seal retainer is installed to cylinder block:

(a) Using a knife, cut off the oil seal lip.

(b) Using a screwdriver, pry out the oil seal.

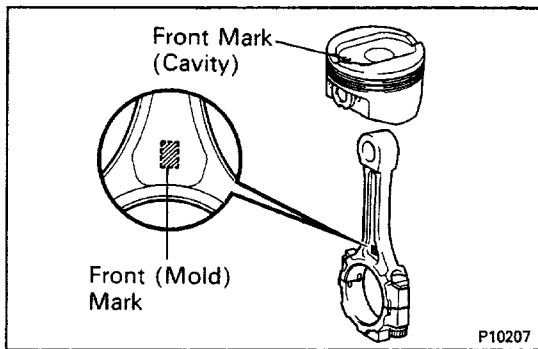
NOTICE: Be careful not to damage the crankshaft. Tape the screwdriver tip.



(c) Apply MP grease to a new oil seal lip.

(d) Using SST and a hammer, tap in the oil seal until its surface is flush with the rear oil seal retainer edge.

SST 09223-56410



PISTONS AND CONNECTING RODS ASSEMBLY

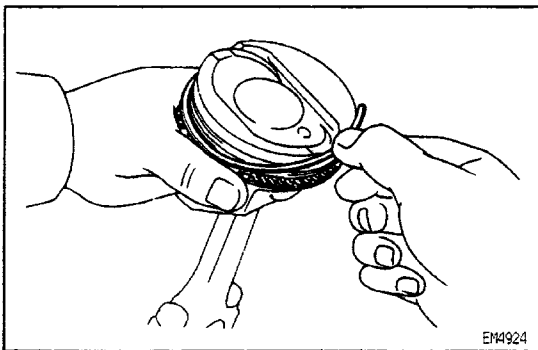
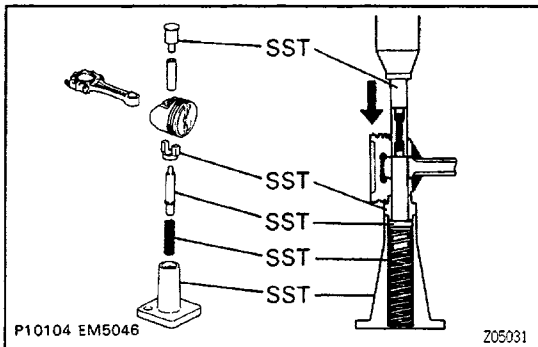
1. ASSEMBLE PISTON AND CONNECTING ROD

- Coat the piston pin and piston pin holes with engine oil.
- Align the front marks of the piston and connecting rod.

Connecting rod front (mold) mark:

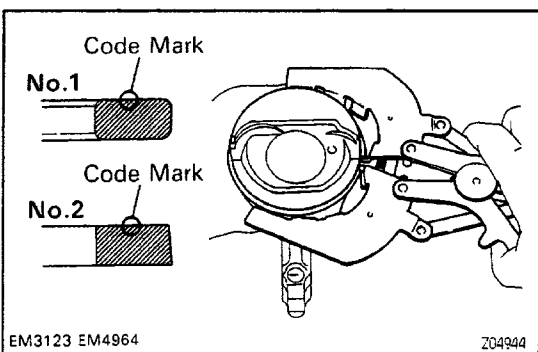
A1, 136, 1B, 8A, C3 or etc.

- Using SST, press in the piston pin.
SST 09221-25024 (09221-00020, 09221-00030, 09221-00181, 09221-00190, 09221-00200)



2. INSTALL PISTON RINGS

- Install the oil expander and two side rails by hand.



- Using a piston ring expander, install the two compression rings with the code marks facing upward.

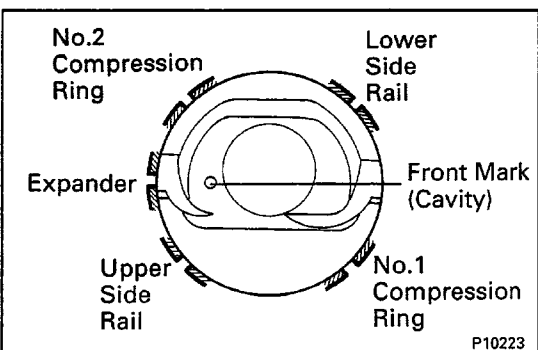
Code mark:

No.1

1 R or T

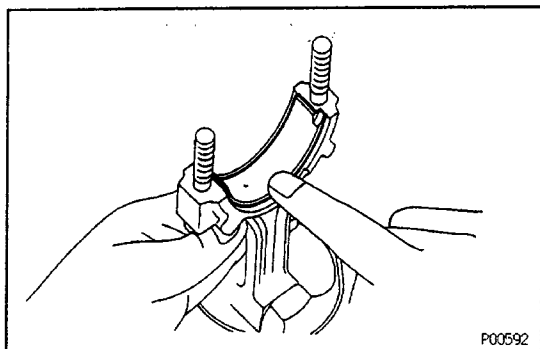
No.2

2R or T2



- Position the piston rings so that the ring ends are as shown.

NOTICE: Do not align the ring ends.



3. INSTALL BEARINGS

- (a) Align the bearing claw with the groove of the connecting rod or connecting cap.
- (b) Install the bearings in the connecting rod and connecting rod cap.

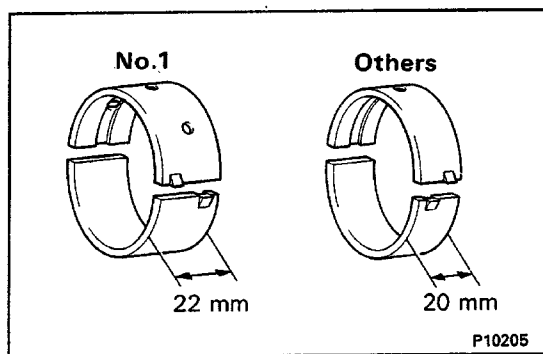
CYLINDER BLOCK ASSEMBLY

EG1ES-03

(See Components)

HINT:

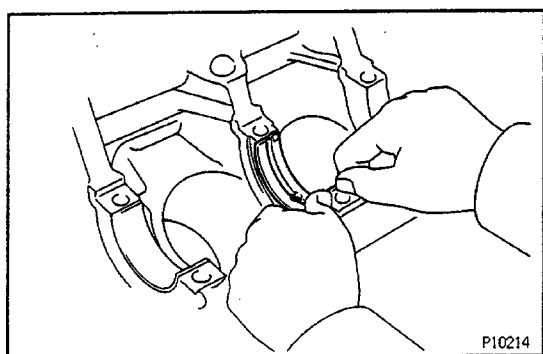
- Thoroughly clean all parts to be assembled.
- Before installing the parts, apply new engine oil to all sliding and rotating surfaces.
- Replace all gaskets, O-rings and oil seals with new parts.



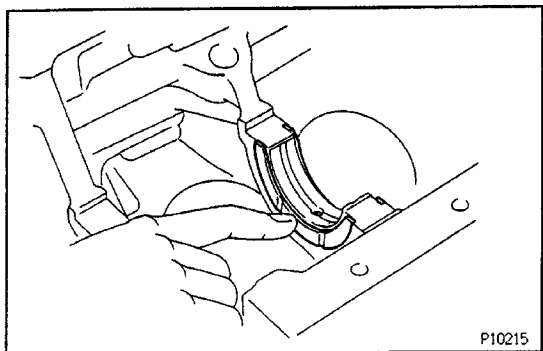
1. INSTALL MAIN BEARINGS

HINT:

- Main bearings come in widths of 20 mm (0.79 in.) and 22 mm (0.87 in.). Install the 22 mm (0.87 in.) bearings in the No.1 cylinder block journal position with the main bearing caps. Install the 20 mm (0.79 in.) bearings in the other positions.
- Upper bearings have an oil holes lower bearings do not.



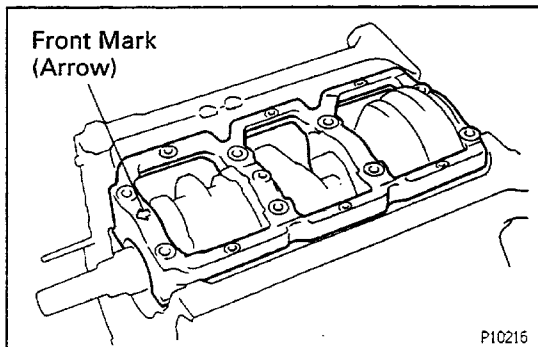
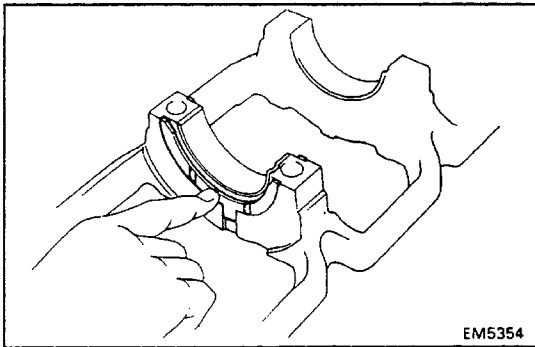
- (a) Align the bearing claw with the claw groove of the main bearing cap or cylinder block.
- (b) Install the bearings in the cylinder block and main bearing cap.



2. INSTALL UPPER THRUST WASHERS

Install the thrust washers under the No.2 journal position of the cylinder block with the oil grooves facing outward.

3. PLACE CRANKSHAFT ON CYLINDER BLOCK



4. INSTALL MAIN BEARING CAP AND LOWER THRUST WASHERS

A. Place main bearing cap and lower thrust washers on cylinder block

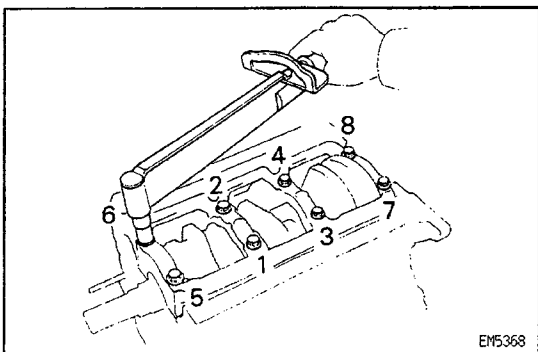
(a) Install the thrust washers on the No.2 journal position of the bearing cap with the grooves facing outward.

(b) Install the main bearing cap with the front mark facing forward.

B. Install main bearing cap bolts

HINT:

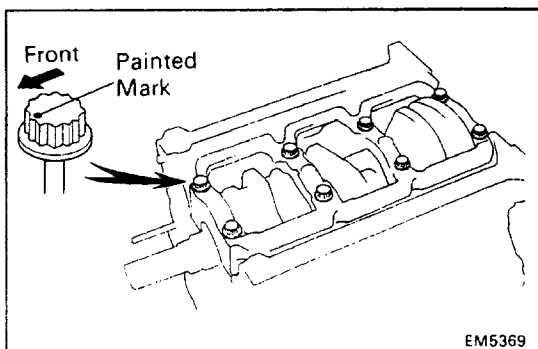
- The main bearing cap bolts are tightened in two progressive steps (steps (b) and (d)).
If any main bearing cap bolt is broken or deformed, replace it.



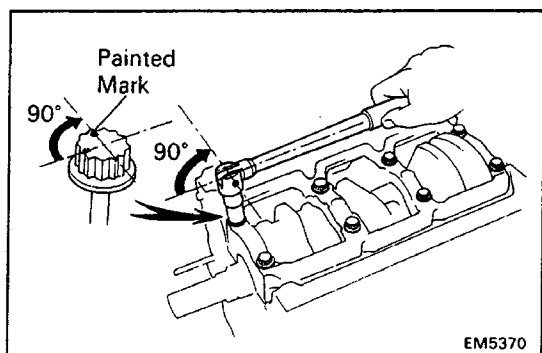
- (a) Apply a light coat of engine oil on the threads and under the heads of the main bearing cap bolts.
- (b) Install and uniformly tighten the eight main bearing cap bolts in several passes, in the sequence shown.

Torque: 61 N-m (625 kgf-cm, 45 ft-lbf)

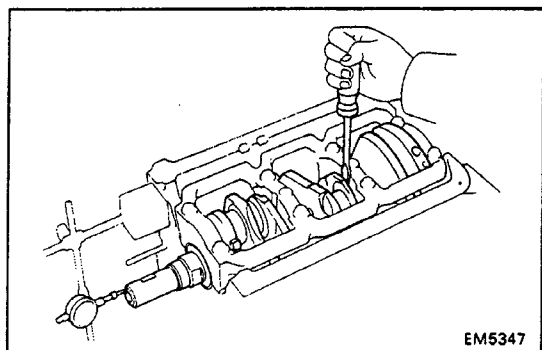
If any one of the main bearing cap bolts does not meet the torque specification, replace the cap bolt.



(c) Mark the front of the main bearing cap bolt with paint.



- (d) Retighten the main bearing cap bolts 90° in the numerical order shown.
- (e) Check that the painted mark is now at a 90° angle to the front.
- (f) Check that the crankshaft turns smoothly.



5. CHECK CRANKSHAFT THRUST CLEARANCE

Using a dial indicator, measure the thrust clearance while prying the crankshaft back and forth with a screwdriver.

Standard thrust clearance:

0.020 – 0.220 mm (0.0008 – 0.0087 in.)

Maximum thrust clearance:

0.30 mm (0.0118 in.)

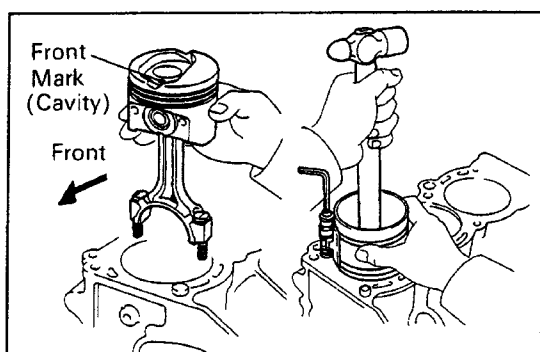
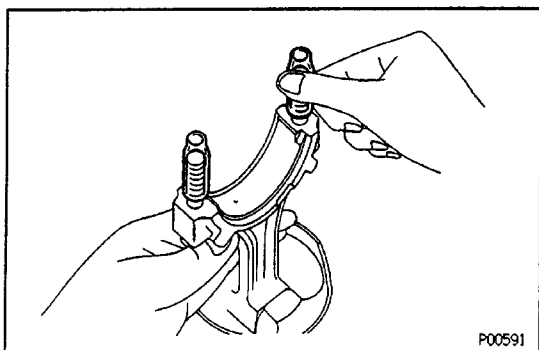
If the thrust clearance is greater than maximum, replace the thrust washers as a set.

Thrust washer thickness:

2.440 – 2.490 mm (0.0961 – 0.0980 in.)

6. INSTALL PISTON AND CONNECTING ROD ASSEMBLIES

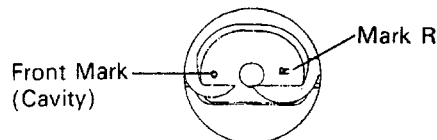
- (a) Cover the connecting rod bolts with a short piece of hose to protect the crankshaft from damage.



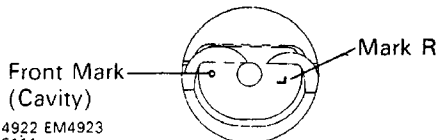
- (b) Using a piston ring compressor, push the correctly numbered piston and connecting rod assemblies into each cylinder with the front mark of the piston facing forward.

NOTICE: The shape of the piston varies for the RH and LH banks. The RH piston is marked with "R", The LH piston with "L".

RH Piston

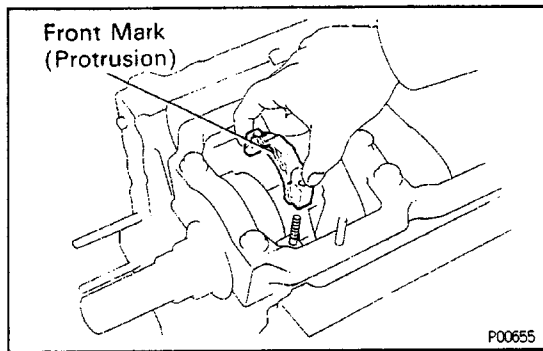


LH Piston



EM4922 EM4923
EM5111

Z04968



7. INSTALL CONNECTING ROD CAPS

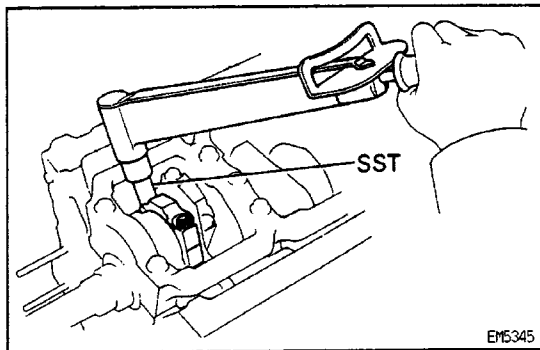
A. Place connecting rod cap on connecting rod

- Match the numbered connecting rod cap with the connecting rod.
- Install the connecting rod cap with the front mark facing forward.

B. Install connecting rod cap nuts

HINT:

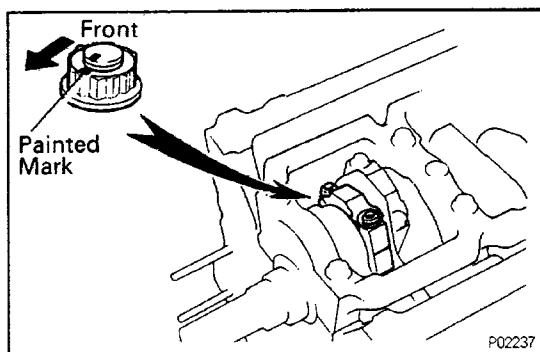
- The connecting rod cap nuts are tightened in two progressive steps (steps (b) and (d)).
- If any connecting rod bolt is broken or deformed, replace it.



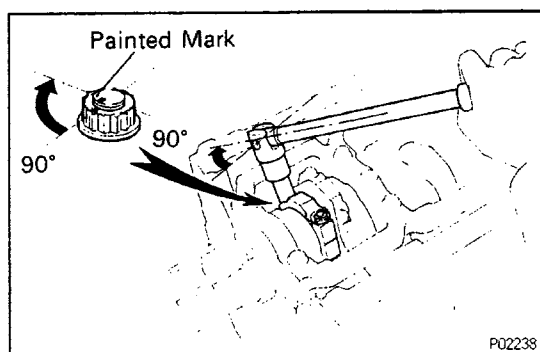
- Apply a light of engine oil on the threads and under the nuts of the connecting rod cap.
- Install and alternately tighten the nuts of the connecting rod cap in several passes.

Torque: 25 N-m (250 kgf-cm, 18 ft-lbf)

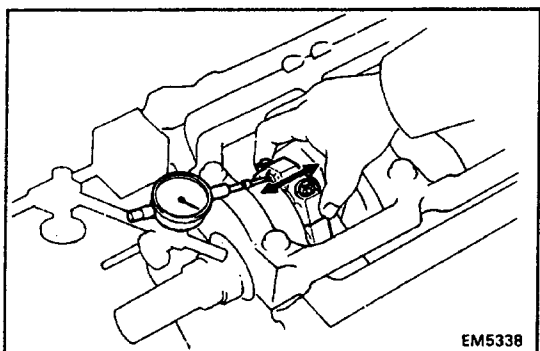
If any one of the connecting rod cap nuts does not meet the torque specification, replace the cap nut.



- Mark the front of the connecting rod cap nut and bolt with paint.



- Retighten the connecting rod cap nuts 90° as shown.
- Check that the painted mark is now at a 90° angle to the front.
- Check that the crankshaft turns smoothly.



8. CHECK CONNECTING ROD THRUST CLEARANCE

Using a dial indicator, measure the thrust clearance while moving the connecting rod back and forth.

Standard thrust clearance:

0.150 – 0.330 mm (0.0059 – 0.0130 in.)

Maximum thrust clearance:

0.38 mm (0.0150 in.)

If the thrust clearance is greater than maximum, replace the connecting rod assembly. If necessary, replace the crankshaft.

9. INSTALL REAR OIL SEAL RETAINER

(a) Remove any old packing (FIPG) material and be careful not to drop any oil on the contact surfaces of the retainer and cylinder block.

- Using a razor blade and gasket scraper, remove all the old packing (FIPG) material from the gasket surfaces and sealing groove.
- Thoroughly clean all components to remove all the loose material.
- Using a non-residue solvent, clean both sealing surfaces.

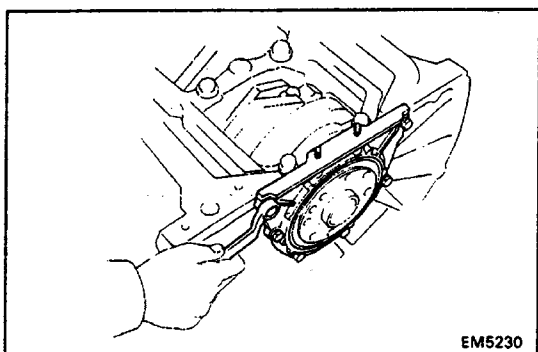
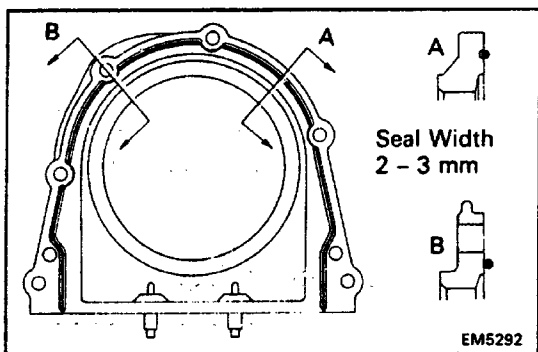
(b) Apply seal packing to the oil seal retainer as shown in the illustration.

Seal packing:

Part No.08826-00080 or equivalent

- Install a nozzle that has been cut to a 2 – 3 mm (0.08 – 0.12 in.) opening.
 - Parts must be assembled within 5 minutes of application. Otherwise the material must be removed and reapplied.
 - Immediately remove nozzle from the tube and reinstall cap.
- (c) Install the oil seal retainer with the six bolts.

Torque: 7.8 N-m (80 kgf-cm, 69 in.-lbf)



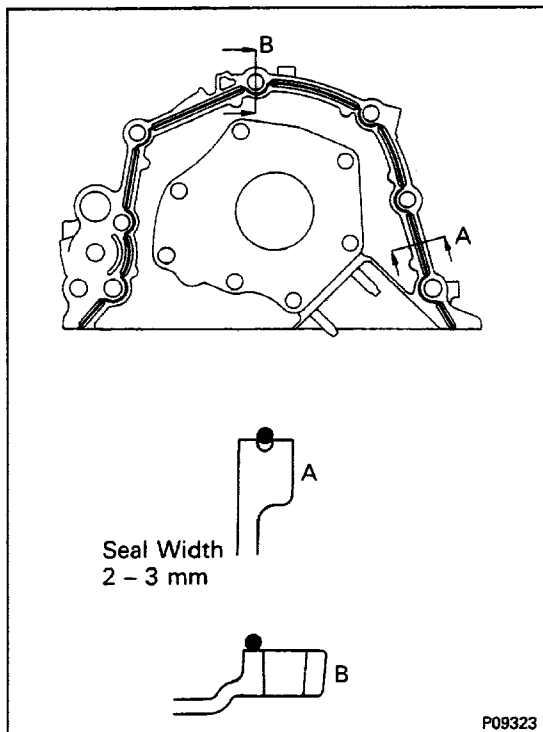
POST ASSEMBLY

(See Components)

1. INSTALL OIL PUMP

(a) Remove any old packing (FIPG) material and be careful not to drop any oil on the contact surfaces of the oil pump and cylinder block.

- Using a razor blade and gasket scraper, remove all the old packing (FIPG) material from the gasket surfaces and sealing groove.
- Thoroughly clean all components to remove all the loose material.
- Using a non-residue solvent, clean both sealing surfaces.



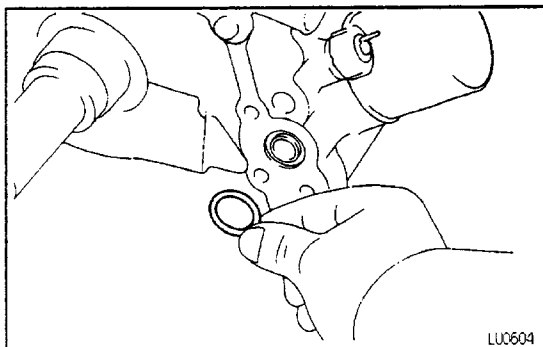
(b) Apply seal packing to the oil pump as shown in the illustration.

Seal packing:

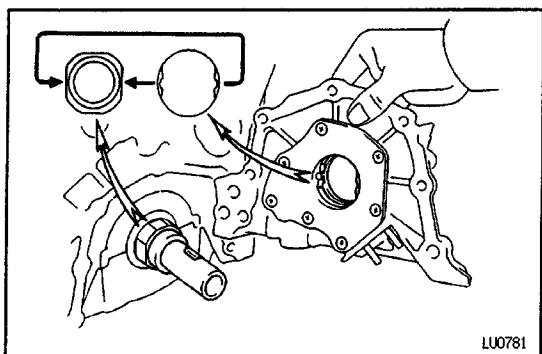
Part No. 08826-00080 or equivalent

NOTICE: Avoid applying an excessive amount to the surface. Be particularly careful near oil passage.

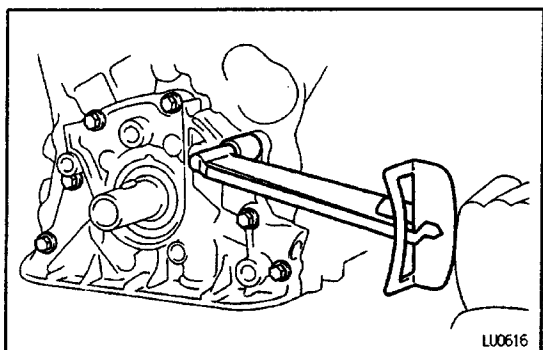
- Install a nozzle that has been cut to a 2 - 3 mm (0.08 - 4.12 in.) opening.
- Parts must be assembled within 5 minutes of application. Otherwise the material must be removed and reapplied.
- Immediately remove nozzle from the tube and reinstall cap.



(c) Install a new O-ring to the cylinder block.



- (d) Engage the spline teeth of the oil pump drive gear with the large teeth of the crankshaft, and slide the oil pump on the crankshaft.



- (e) Install the oil pump with the eight bolts. Uniformly tighten the bolts in several passes.

Torque: 20 N·m (200 kgf·cm, 14 ft·lbf)

2. INSTALL OIL PAN BAFFLE PLATE

- (a) Remove any old packing (FIPG) material and be careful not to drop any oil on the contact surfaces of the baffle plate and cylinder block.

- Using a razor blade and gasket scraper, remove all the old packing (FIPG) material from the gasket surfaces and sealing groove.
- Thoroughly clean all components to remove all the loose material.
- Using a non-residue solvent, clean both sealing surfaces.

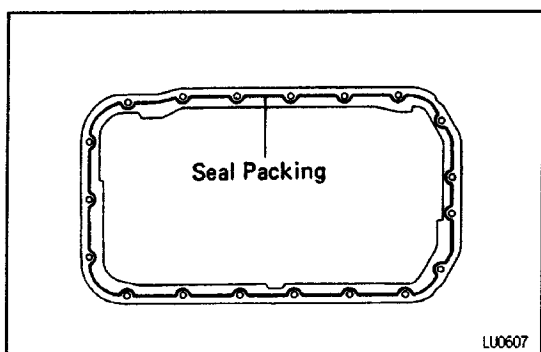
- (b) Apply seal packing to the baffle plate as shown in the illustration.

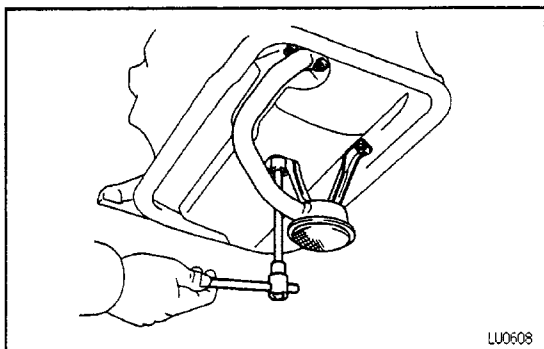
Seal packing:

Part No. 08826-00080 or equivalent

- Install a nozzle that has been cut to a 3 – 4 mm (0.12 – 0.16 in.) opening.
- Parts must be assembled within 5 minutes of application. Otherwise the material must be removed and reapplied.
- Immediately remove nozzle from the tube and reinstall cap.

- (c) Attach the baffle plate to the cylinder block.





3. INSTALL OIL STRAINER

Install a new gasket and the oil strainer with the two nuts and two bolts.

Torque: 6.9 N-m (70 kgf-cm, 61 in.-lbf)

4. INSTALL OIL PAN

(a) Remove any old packing (FIPG) material and be careful not to drop any oil on the contact surfaces of the oil pan and baffle plate.

- Using a razor blade and gasket scraper, remove all the old packing (FIPG) material from the gasket surfaces and sealing groove.
- Thoroughly clean all components to remove all the loose material.
- Using a non-residue solvent, clean both sealing surfaces.

(b) Apply seal packing to the oil pan as shown in the illustration.

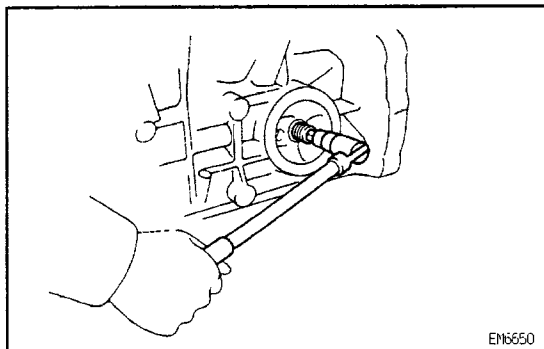
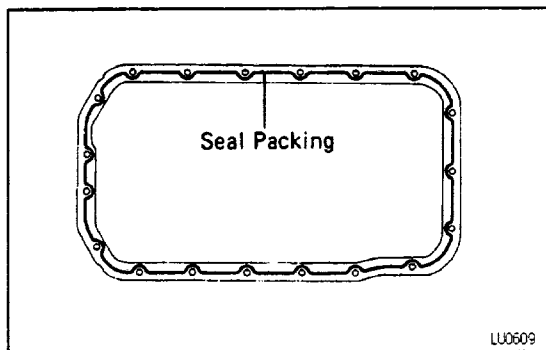
Seal packing:

Part No. 08826-00080 or equivalent

- Install a nozzle that has been cut to a 3 – 4 mm (0.12 – 0.16 in.) opening.
- Parts must be assembled within 5 minutes of application. Otherwise the material must be removed and reapplied.
- Immediately remove nozzle from the tube and reinstall cap.

(c) Install the oil pan with the two nuts and seventeen bolts.

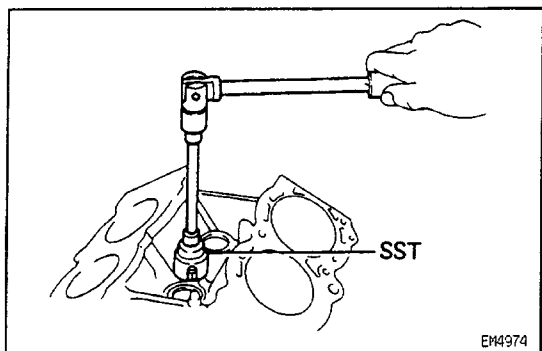
Torque: 5.9 N-m (60 kgf-cm, 52 in.-lbf)



5. INSTALL OIL FILTER UNION

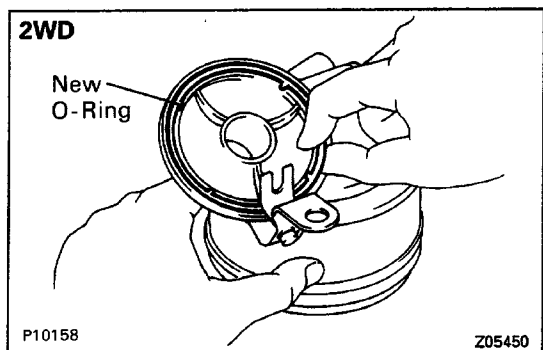
Using a 12 mm hexagon wrench, install and torque the oil filter union.

Torque: 25 N-m (250 kgf-cm, 18 ft-lbf)



6. INSTALL KNOCK SENSOR

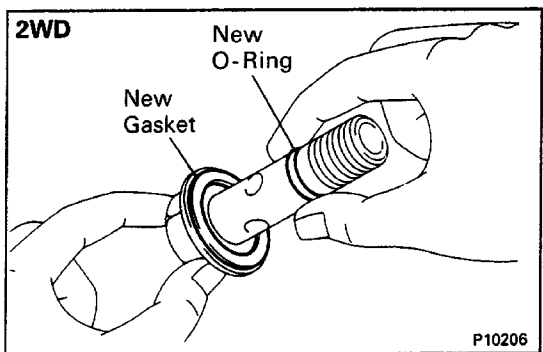
Using SST, install the knock sensor.
SST 09817-16011



7. (2WD)

INSTALL OIL COOLER AND BRACKET ASSEMBLY

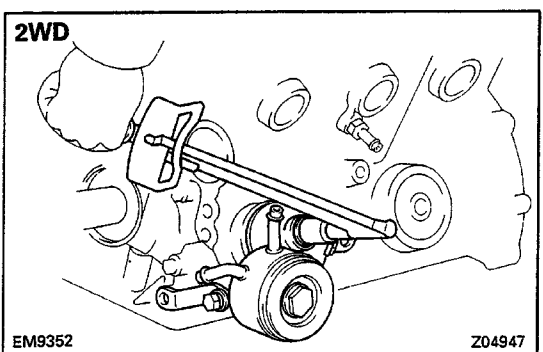
(a) Install a new O-ring to the oil cooler bracket.



(b) Install new gasket and O-ring to the union bolt.

(c) Apply a light coat of engine oil on the O-ring.

(d) Apply a light coat of engine oil on the threads of the union bolt.



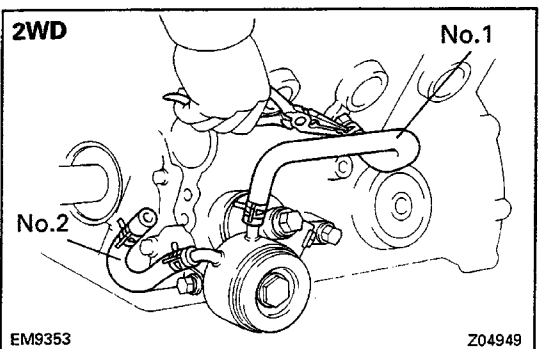
(e) Temporarily install the oil cooler and bracket assembly with the union bolt and two bolts.

(f) Tighten the union bolt.

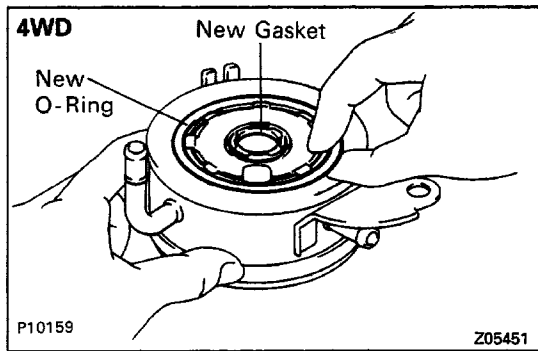
Torque: 59 N-m (600 kgf-cm, 43 ft-lbf)

(g) Install the two bolts.

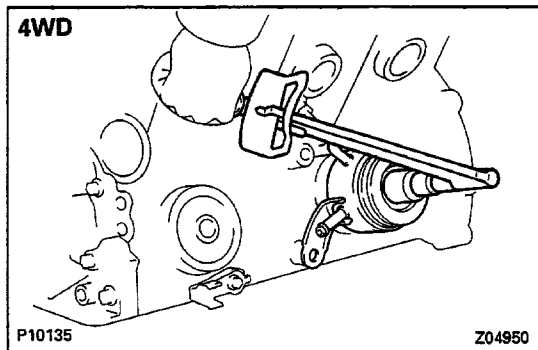
Torque: 39 N-m (400 kgf-cm, 29 ft-lbf)



(h) install the No.1 and No.2 oil cooler hoses.

**8. (4WD)****INSTALL OIL COOLER**

- (a) Install new O-ring and gasket to the oil cooler.
- (b) Apply a light coat of engine oil on the threads of the relief valve.

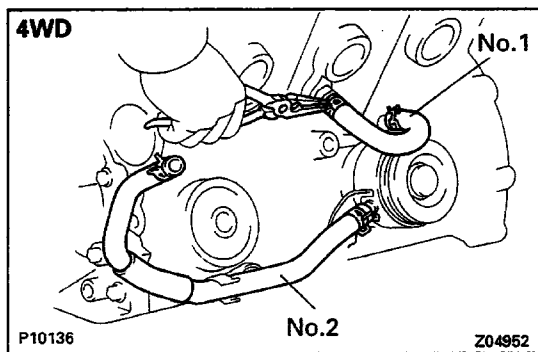


- (c) Temporarily install the seal washer, oil cooler and seal washer with the relief valve and bolt.
- (d) Tighten the relief valve.

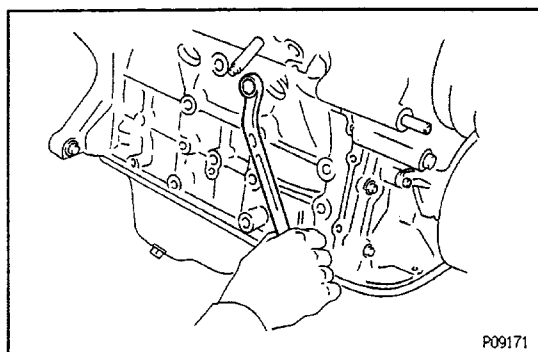
Torque: 59 N-m (600 kgf-cm, 43 ft-lbf)

- (e) Install the bolt.

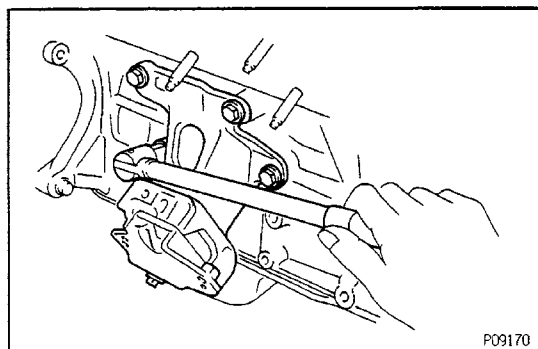
Torque: 39 N-m (400 kgf-cm, 29 ft-lbf)



- (f) Install the No.1 and No.2 oil cooler hoses.

**9. INSTALL ENGINE COOLANT DRAIN PLUGS**

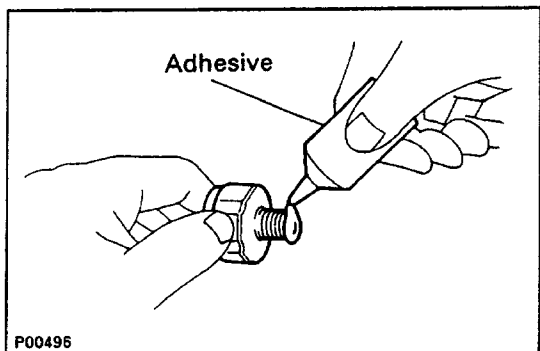
Torque: 29 N-m (300 kgf-cm, 22 ft-lbf)

**10. INSTALL LH AND RH ENGINE MOUNTING BRACKETS**

Install the mounting bracket with the four bolts. Install the two mounting brackets.

Torque: 39 N-m (400 kgf-cm, 29 ft-lbf)

11. INSTALL OIL FILTER

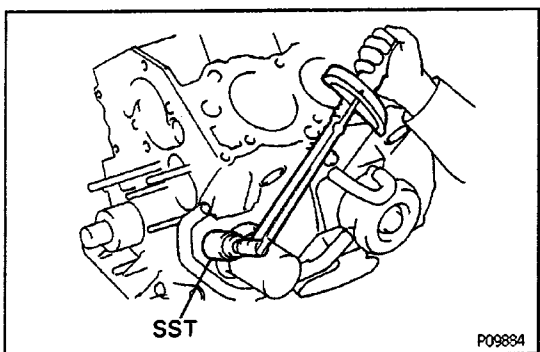


12. INSTALL OIL PRESSURE SENDER GAUGE

(a) Apply adhesive to two or three threads.

Adhesive:

**Part No.08833-00080, THREE BOND 1344,
LOCTITE 242 or equivalent**



(b) Using SST, install the oil pressure sender gauge.

SST 09816-30010

Torque: 15 N-m (150 kgf-cm. 11 ft-lbf)

13. INSTALL GENERATOR ADJUSTING BAR

14. INSTALL WATER PUMP

(a) . Remove any old packing (FIPG) material and be careful not to drop any oil on the contact surfaces of the water pump and cylinder block.

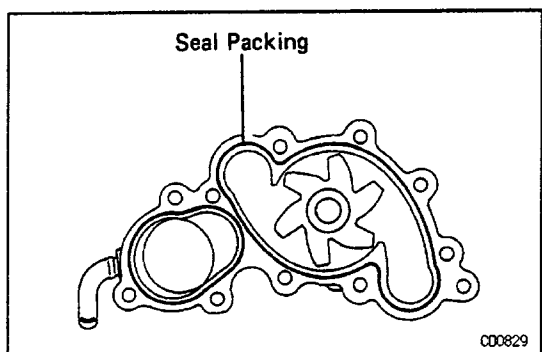
- Using a razor blade and gasket scraper, remove all the old packing (FIPG) material from the gasket surfaces and sealing groove.
- Thoroughly clean all components to remove all the loose material.
- Using a non-residue solvent, clean both sealing surfaces.

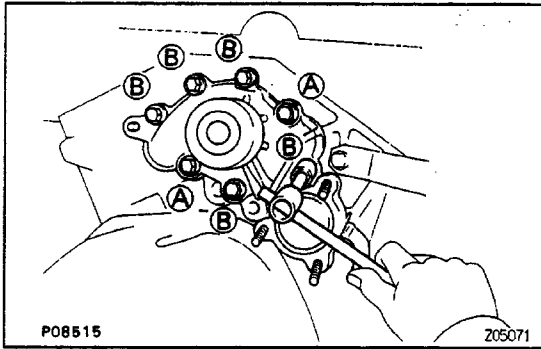
(b) Apply seal packing to the sealing groove of the water pump as shown in the illustration.

Seal packing:

Part No. 08826-00100 or equivalent

- Install a nozzle that has been cut to a 2 – 3 mm (0.08 – 0.12 in.) opening.
- Parts must be assembled within 5 minutes of application. Otherwise the material must be removed and reapplied.
- Immediately remove nozzle from the tube and reinstall cap.





(c) Install the water pump with the seven bolts.

Torque:

18 N-m (185 kgf-cm, 13 ft-lbf) for (A)

20 N-m (200 kgf-cm, 14 ft-lbf) for (B)

15. INSTALL THERMOSTAT AND WATER INLET

16. INSTALL NO.1 WATER BY-PASS PIPE

(a) Remove any old packing (FIPG) material and be careful not to drop any oil on the contact surfaces of the water by-pass pipe and cylinder block.

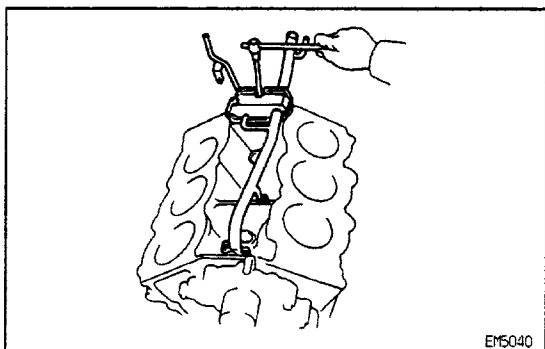
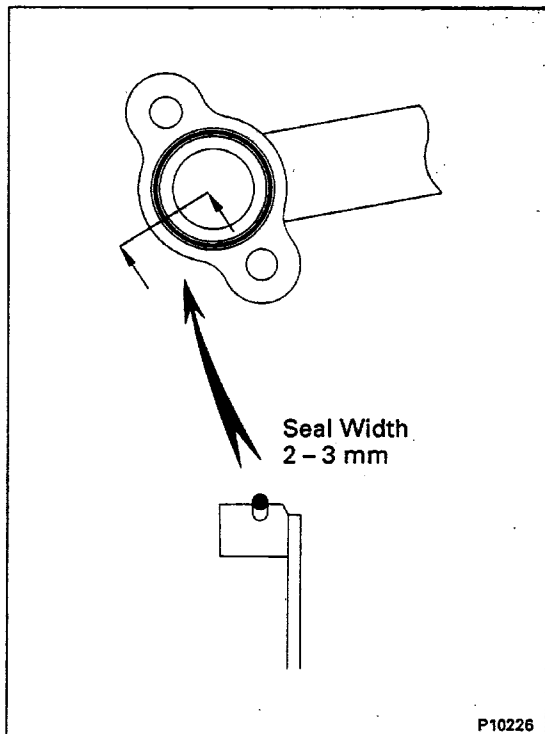
- Using a razor blade and gasket scraper, remove all the old packing (FIPG) material from the gasket surfaces and sealing groove.
- Thoroughly clean all components to remove all the loose material.
- Using a non-residue solvent, clean both sealing surfaces.

(b) Apply seal packing to the sealing groove of the water by-pass pipe as shown in the illustration.

Seal packing:

Part No. 08826-00100 or equivalent

- Install a nozzle that has been cut to a 2 – 3 mm (0.08 – 0.12 in.) opening.
- Parts must be assembled within 5 minutes of application. Otherwise the material must be removed and reapplied.
- Immediately remove nozzle from the tube and reinstall cap.

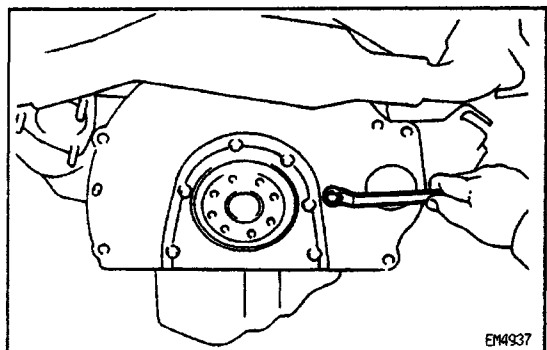


(c) Install the water by-pass pipe with the two bolts and two nuts.

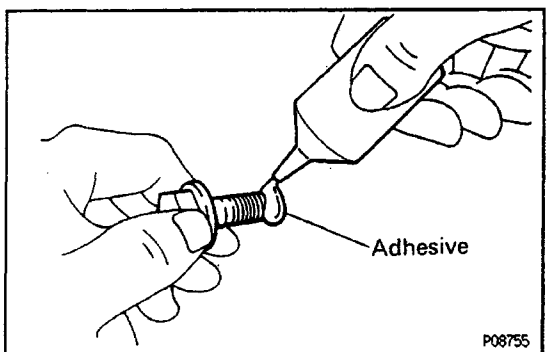
Torque:

4.9 N-m (50 kgf-cm, 43 in.-lbf) for bolt

6.9 N-m (70 kgf-cm, 61 in.-lbf) for nut

17. INSTALL CYLINDER HEADS(See pages [EG2-76](#) to 87)**18. INSTALL TIMING BELT**(See pages [EG2-41](#) to 48)**19. REMOVE ENGINE STAND****20. INSTALL REAR END PLATE**

Install the rear end plate with the bolt.

Torque: 7.4 N-m (75 kgf-cm, 65 in.-lbf)**21. INSTALL FLYWHEEL OR DRIVE PLATE**

(a) Apply adhesive to two or three threads of the mounting bolt end.

Adhesive:**Pert No. 08833-00070, THREE BOND 1324 or equivalent**

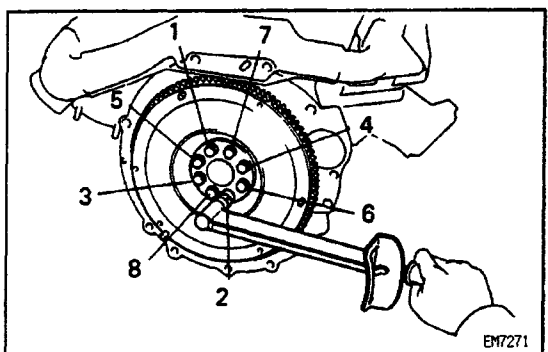
(b) (M/T)

Install the flywheel on the crankshaft.

(c) (A/T)

Install the front spacer, drive plate and rear plate on the crankshaft.

(d) Install and uniformly tighten the eight mounting bolts in several passes, in the sequence shown.

Torque:**88 N-m (900 kgf-cm, 65 ft-lbf) for M/T****83 N-m (850 kgf-cm, 61 ft-lbf) for A/T**

ENGINE INSTALLATION

1. (M/T only)

INSTALL CLUTCH DISC AND COVER

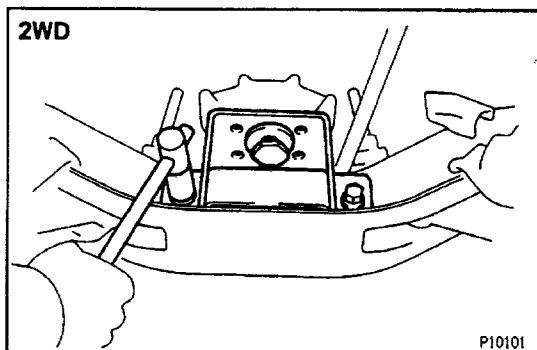
2. INSTALL TRANSMISSION TO ENGINE

3. INSERT ENGINE AND TRANSMISSION ASSEMBLY IN VEHICLE

- Attach the engine chain hoist to the engine hangers.
- Slowly lower the engine and transmission assembly into the engine compartment.

NOTICE: Be careful not to hit the PNP switch.

- Keep the engine level, and align the RH and LH mountings and body mountings.
- Attach the RH and LH mounting insulators to the body mountings and temporarily install the four bolts.
- Jack up and put the transmission onto the member.

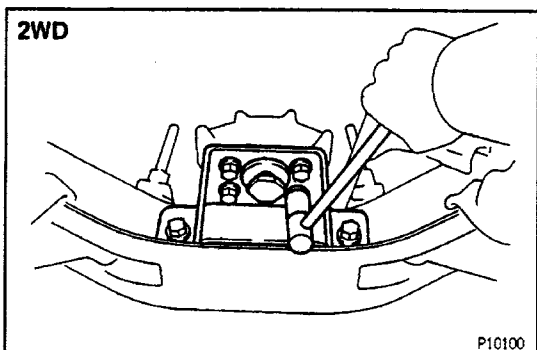


4. (2WD)

INSTALL ENGINE REAR MOUNTING BRACKET

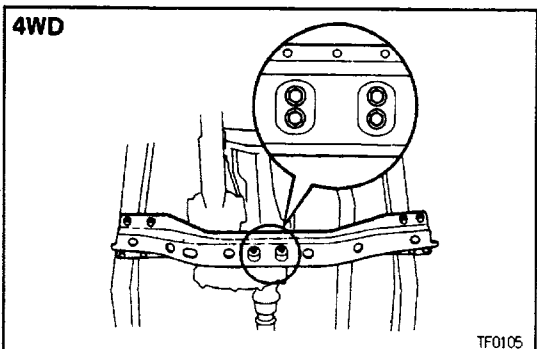
- Raise the transmission slightly by raising the engine with a jack and a wooden block under the transmission.
- Install the engine rear mounting bracket to the support member.

Torque: 25 N-m (260 kgf-cm, 19 ft-lbf)



- Lower the transmission and rest it on the extension housing.
- Install the mounting bracket to the mounting insulator.

Torque: 13 N-m (130 kgf-cm, 9 ft-lbf)



5. (4WD)

INSTALL NO.2 FRAME CROSSMEMBER

- Raise the transmission slightly with a jack.
- Install the frame crossmember to the side frame with the eight bolts.

Torque: 95 N-m (970 kgf-cm, 70 ft-lbf)

- Lower the transmission and transfer.
- Install the frame crossmember to the engine rear mounting insulator.

Torque: 13 N-m (130 kgf-cm, 9 ft-lbf)

6. TIGHTEN RH AND LH ENGINE MOUNTING INSULATOR BOLTS

Tighten the four bolts holding the mounting insulators to the body mountings.

Torque: 37 N-m (380 kgf-cm, 27 ft-lbf)

7. (4WD only)

INSTALL NO.1 FRONT FLOOR AND BRAKE TUBE HEAT INSULATOR

8. INSTALL NO.1 FRAME CROSSMEMBER

9. (4WD only)

INSTALL STABILIZER BAR

10. (4WD only)

INSTALL TRANSFER UNDER COVER

11. CONNECT SPEEDOMETER CONNECTOR

12. (4WD A/T only)

CONNECT MANUAL SHIFT LINKAGE

13. (4WD only)

INSTALL FRONT PROPELLER SHAFT

(See page [PR-16](#))

14. INSTALL REAR PROPELLER SHAFT

(See page [PR-15](#))

15. (M/T only)

INSTALL SHIFT LEVERS

16. INSTALL FRONT EXHAUST PIPE

(a) Connect the exhaust pipe to the LH exhaust manifold with new gasket and three new nuts.

Torque: 62 N-m (630 kgf-cm, 46 ft-lbf)

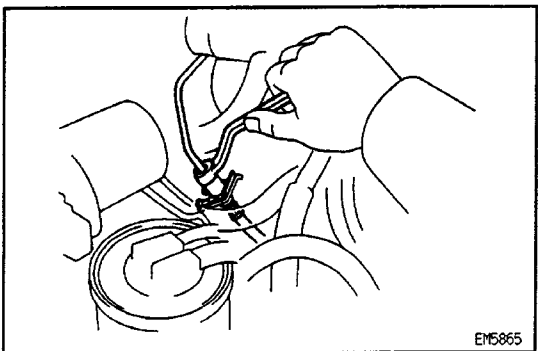
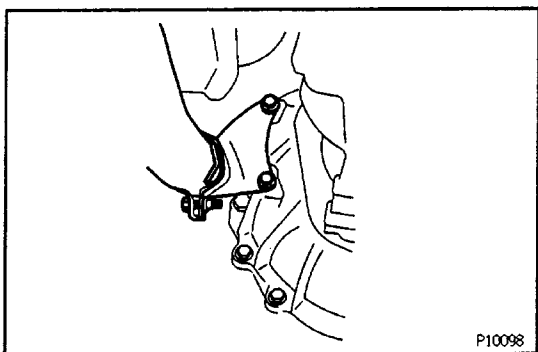
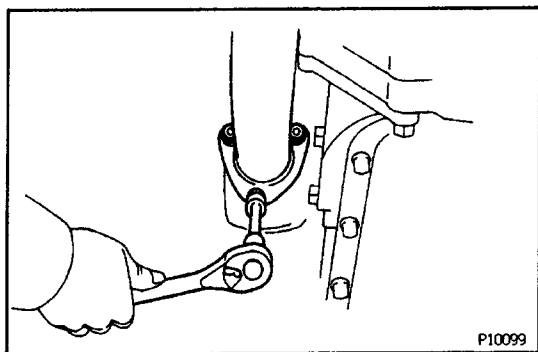
(b) Connect the exhaust pipe to the catalytic converter with new gasket and the two bolts.

Torque: 39 N-m (400 kgf-cm, 29 ft-lbf)

(c) Install the pipe bracket to the transmission with the two bolts.

(d) Install the pipe bracket to the exhaust pipe with the pipe clamp.

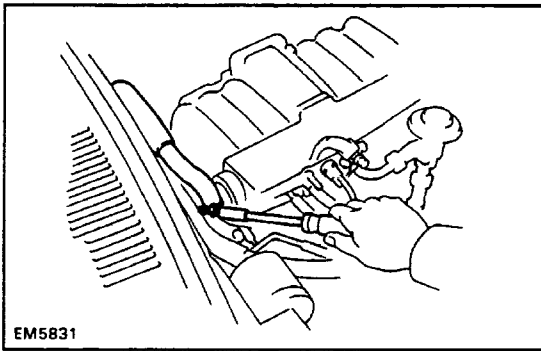
(e) Connect the oxygen sensor connector.



17. (M/T only)

CONNECT CLUTCH RELEASE CYLINDER HOSE

18. INSTALL A/C COMPRESSOR



EM5831

- 19. CONNECT HEATER HOSES**
20. CONNECT FUEL INLET AND OUTLET HOSES

21. CONNECT STRAP, WIRES, CONNECTORS, HOSES AND CABLES

(a) Connect the following cables:

- Accelerator cable
- (A/T only)
Throttle cable
- (w/ Cruise Control System)
Cruise control cable

(b) Connect the following hoses:

- PS air hoses to gas filter and air pipe
- Brake booster hose
- (w/ Cruise Control System)
Cruise control vacuum hose
- Charcoal canister hose to canister
- VSV vacuum hoses

(c) Connect the following strap, wires and connectors:

- Ground strap to LH fender apron
- Generator connector and wire
- Igniter connector
- Oil pressure sender gauge connector
- Ground strap to engine rear side
- ECM connectors
- VSV connectors
- A/C compressor connector
- (M/T only)
Starter relay connector
- Solenoid resistor connector
- Data link connector 1
- (w/ ADD)
ADD switch connector

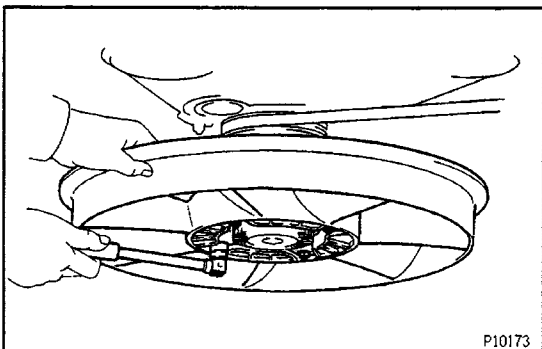
22. INSTALL GENERATOR DRIVE BELT

23. INSTALL COOLING FAN

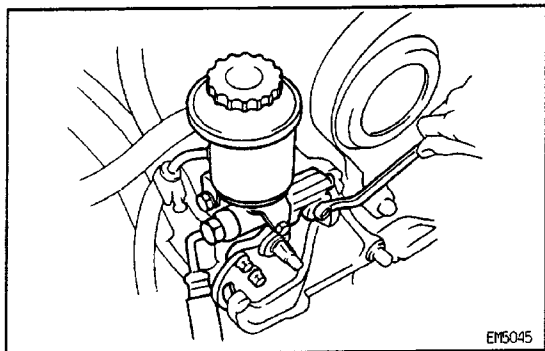
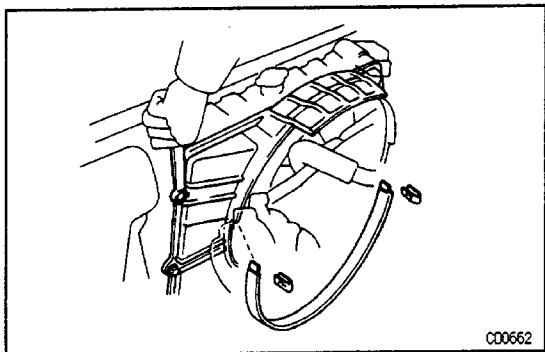
Install the cooling fan with the four nuts.

Torque: 5.4 N-m (55 kgf-cm, 48 in.-lbf)

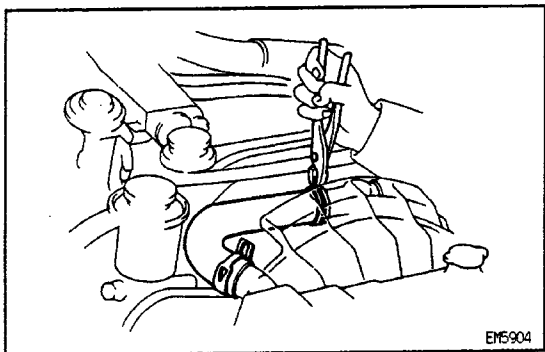
24. INSTALL A/C DRIVE BELT



P10173

**25. INSTALL PS PUMP****26. INSTALL PS PUMP PULLEY AND DRIVE BELT****27. INSTALL RADIATOR**

- (a) Install the radiator with the four bolts.
- (b) Install the No.1 fan shroud with the four bolts.
- (c) Install the No.2 fan shroud with the two clips.



- (d) Install the radiator hoses.
- (e) (A/T)
Connect the oil cooler hoses.
- (f) Connect the reservoir tank hose.

28. INSTALL AIR CLEANER AND HOSE**29. INSTALL BATTERY****30. CONNECT CABLE TO NEGATIVE TERMINAL OF BATTERY****31. FILL WITH ENGINE COOLANT****32. FILL WITH ENGINE OIL****33. START ENGINE AND CHECK FOR LEAKS****34. PERFORM ENGINE ADJUSTMENT**

(See Tune – Up on pages [EG2-12](#) to 27)

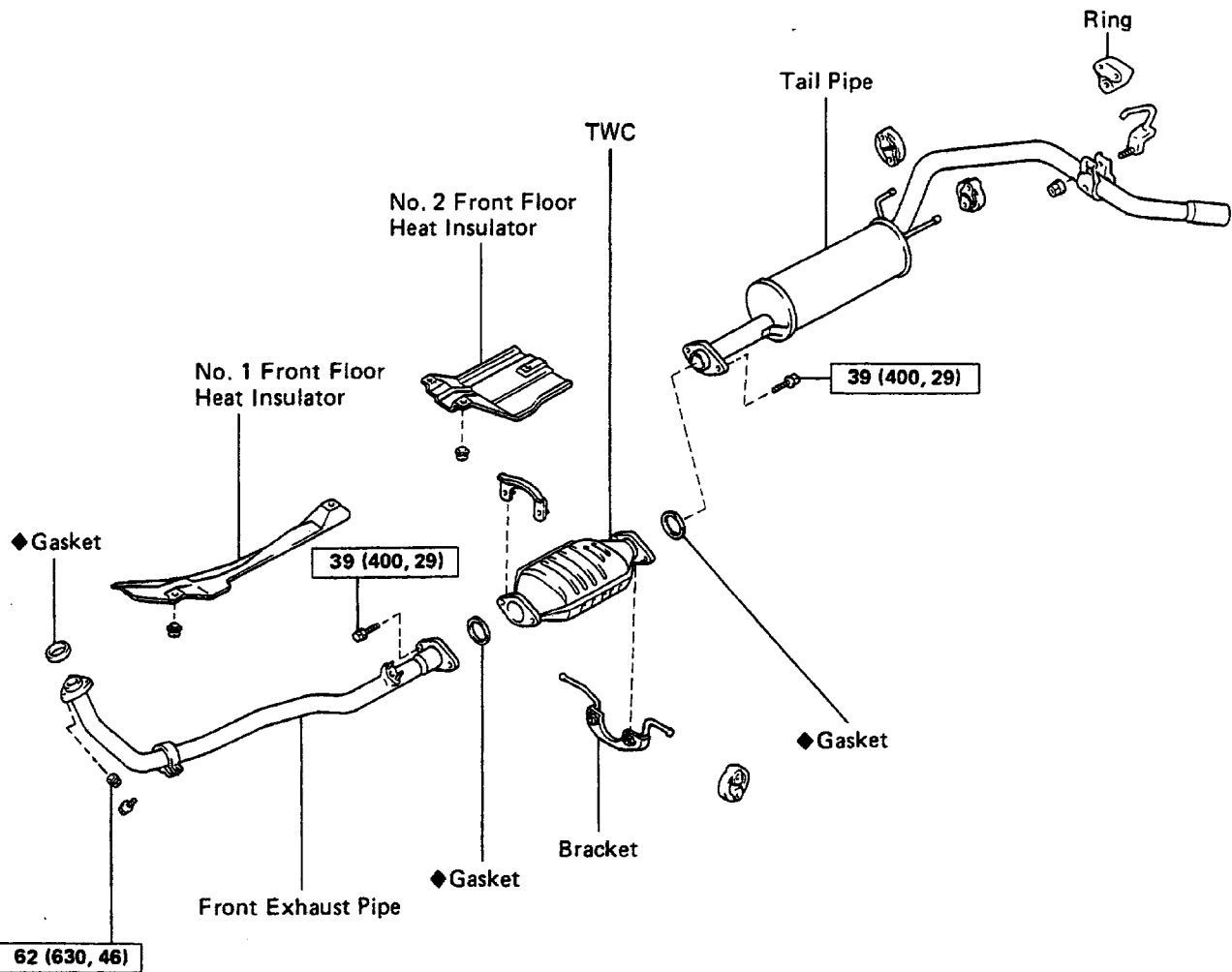
35. INSTALL ENGINE UNDER COVER**36. INSTALL HOOD****37. PERFORM ROAD TEST**

Check for abnormal noise, shock slippage, correct shift points and smooth operation.

38. RECHECK ENGINE COOLANT AND OIL LEVELS

EXHAUST SYSTEM

EG1EV-02



N·m (kgf·cm, ft·lbf) : Specified torque

◆ Non-reusable part

SERVICE SPECIFICATIONS

EG1EW-02

SERVICE DATA

Tune - up	Battery specific gravity (Ex. Delco battery) 55D 23R type 80D 26R type High-tension cord resistance Limit		1.25 - 1.27 (when fully charged at 20°C (68°F)) 1.27 - 1.29 (when fully charged at 20°C (68°F)) 25 kΩ per cord
	High-tension cord resistance Spark plug Recommended spark plug Correct electrode gap Drive belt tension New belt Used belt Valve clearance (Cold) Intake Exhaust Valve clearance adjusting shim (for repair part)	ND NGK	K16R-U BKR5EYA 0.8 mm (0.031 in.) 160 ± 20 lbf 100 ± 20 lbf 0.18 - 0.28 mm (0.007 - 0.011 in.) 0.22 - 0.32 mm (0.009 - 0.013 in.)
	Mark 2.200	2.200 mm (0.0866 in.)	
	Mark 2.250	2.250 mm (0.0886 in.)	
	Mark 2.300	2.300 mm (0.0906 in.)	
	Mark 2.350	2.350 mm (0.0925 in.)	
	Mark 2.400	2.400 mm (0.0945 in.)	
	Mark 2.450	2.450 mm (0.0965 in.)	
	Mark 2.500	2.500 mm (0.0984 in.)	
	Mark 2.550	2.550 mm (0.1004 in.)	
	Mark 2.600	2.600 mm (0.1024 in.)	
	Mark 2.650	2.650 mm (0.1043 in.)	
	Mark 2.700	2.700 mm (0.1063 in.)	
	Mark 2.750	2.750 mm (0.1083 in.)	
	Mark 2.800	2.800 mm (0.1102 in.)	
	Mark 2.850	2.850 mm (0.1122 in.)	
	Mark 2.900	2.900 mm (0.1142 in.)	
	Mark 2.950	2.950 mm (0.1161 in.)	
	Mark 3.000	3.000 mm (0.1181 in.)	
	Mark 3.050	3.050 mm (0.1201 in.)	
	Mark 3.100	3.100 mm (0.1220 in.)	
	Mark 3.150	3.150 mm (0.1240 in.)	
	Mark 3.200	3.200 mm (0.1260 in.)	
	Mark 3.250	3.250 mm (0.1280 in.)	
	Mark 3.300	3.300 mm (0.1299 in.)	
	Mark 3.350	3.350 mm (0.1319 in.)	
	Mark 3.400	3.400 mm (0.1339 in.)	
	Ignition timing	10° BTDC @ idle (w/ Terminals TE1 and E1 connected of DLC1)	
	Idle speed	800 ± 50 rpm	
Compression pressure	at 250 rpm Difference of pressure between each cylinder	STD Limit	1,177 kPa (12.0 kgf/cm ² , 171 psi) or more 981 kPa (10.0 kgf/cm ² , 142 psi) 98 kPa (1.0 kgf/cm ² , 14 psi) or less
Timing belt tensioner	Protrusion from housing end		10.0 - 10.5 mm (0.394 - 0.413 in.)

Cylinder head	Warpage	Limit	0.10 mm (0.0039 in.)	
	Valve seat			
	Refacing angle		30°, 45°, 60°	
	Contacting angle		45°	
	Contacting width		1.2 - 1.6 mm (0.047 - 0.063 in.)	
Valve guide bushing	Inside diameter		8.010 - 8.030 mm (0.3154 - 0.3161 in.)	
	Outside diameter	STD O/S 0.05	13.040 - 13.051 mm (0.5134 - 0.5138 in.) 13.090 - 13.101 mm (0.5154 - 0.5158 in.)	
Valve	Valve overall length	STD Limit	104.3 mm (4.106 in.) 103.8 mm (4.087 in.)	
	Valve face angle		44.5°	
	Stem diameter	STD (Intake) (Exhaust)	7.970 - 7.985 mm (0.3138 - 0.3144 in.) 7.965 - 7.980 mm (0.3136 - 0.3142 in.)	
	Stem oil clearance	STD (Intake) (Exhaust)	0.025 - 0.060 mm (0.0010 - 0.0024 in.) 0.030 - 0.065 mm (0.0012 - 0.0026 in.)	
		Limit (Intake) (Exhaust)	0.08 mm (0.0031 in.) 0.10 mm (0.0039 in.)	
		Margin thickness	STD Limit	1.3 - 1.7 mm (0.051 - 0.067 in.) 1.0 mm (0.039 in.)
	Valve spring	Deviation Limit		1.23 mm (0.0484 in.)
		Free length White painted mark		46.50 mm (1.8307 in.)
Green painted mark			47.01 mm (1.8508 in.)	
Installed tension at 40.0 mm (1.575 in.)			242 - 268 N (24.7 - 27.3 kgf, 54.5 - 60.2 lbf)	
Camshaft	Thrust clearance	STD Limit	0.080 - 0.190 mm (0.0031 - 0.0075 in.) 0.25 mm (0.0098 in.)	
	Journal oil clearance	STD Limit	0.025 - 0.066 mm (0.0010 - 0.0026 in.) 0.10 mm (0.0039 in.)	
		Journal diameter		33.959 - 33.975 mm (1.3370 - 1.3376 in.)
	Circle runout	Limit	0.06 mm (0.0024 in.)	
	Cam lobe height	STD Limit	47.830 - 47.930 mm (1.8830 - 1.8870 in.) 47.50 mm (1.8701 in.)	
	Valve lifter	Lifter diameter		37.922 - 37.932 mm (1.4930 - 1.4934 in.)
Lifter bore diameter			37.960 - 37.975 mm (1.4945 - 1.4951 in.)	
Oil clearance		STD Limit	0.028 - 0.053 mm (0.0011 - 0.0021 in.) 0.10 mm (0.0039 in.)	
Air intake chamber	Warpage	Limit	0.10 mm (0.0039 in.)	
Intake Manifold	Warpage	Limit	0.10 mm (0.0039 in.)	
Exhaust Manifold	Warpage	Limit	0.70 mm (0.0276 in.)	

Cylinder block	Cylinder head surface warpage	Limit	0.05 mm (0.0020 in.)
		STD (Mark 1)	87.500 - 87.510 mm (3.4449 - 3.4453 in.)
	Cylinder bore diameter	(Mark 2)	87.510 - 87.520 mm (3.4453 - 3.4457 in.)
		(Mark 3)	87.520 - 87.530 mm (3.4457 - 3.4461 in.)
		Limit (STD)	87.73 mm (3.4539 in.)
	Main journal bore diameter	(O/S 0.50)	88.23 mm (3.4736 in.)
		Mark 1	68.010 - 68.016 mm (2.6776 - 2.6778 in.)
Mark 2		68.016 - 68.022 mm (2.6778 - 2.6780 in.)	
Mark 3		68.022 - 68.028 mm (2.6780 - 2.6783 in.)	
Piston and piston ring	Piston diameter	STD (Mark 1)	87.360 - 87.370 mm (3.4394 - 3.4398 in.)
		(Mark 2)	87.370 - 87.380 mm (3.4398 - 3.4402 in.)
		(Mark 3)	87.380 - 87.390 mm (3.4402 - 3.4405 in.)
		O/S 0.50	87.860 - 87.890 mm (3.4590 - 3.4602 in.)
	Piston oil clearance	STD	0.130 - 0.150 mm (0.0051 - 0.0059 in.)
		Limit	0.17 mm (0.0067 in.)
	Piston ring groove clearance	STD (No.1)	0.020 - 0.060 mm (0.0008 - 0.0024 in.)
		(No.2)	0.030 - 0.070 mm (0.0012 - 0.0028 in.)
		Limit	0.20 mm (0.0079 in.)
	Piston ring end gap	STD (No.1)	0.280 - 0.500 mm (0.0110 - 0.0197 in.)
		(No.2)	0.380 - 0.600 mm (0.0150 - 0.0236 in.)
		(Oil)	0.150 - 0.500 mm (0.0059 - 0.0197 in.)
		Limit (No.1)	1.10 mm (0.0433 in.)
		(No.2)	1.20 mm (0.0472 in.)
Connecting rod	Thrust clearance	STD	0.150 - 0.330 mm (0.0059 - 0.0130 in.)
		Limit	0.38 mm (0.0150 in.)
	Connecting rod big end inner diameter (Reference)	STD (Mark 1)	58.000 - 58.008 mm (2.2835 - 2.2838 in.)
		(Mark 2)	58.008 - 58.016 mm (2.2838 - 2.2841 in.)
		(Mark 3)	58.016 - 58.024 mm (2.2841 - 2.2844 in.)
	Connecting rod bearing center wall thickness (Reference)	STD (Mark 1)	1.484 - 1.488 mm (0.0584 - 0.0586 in.)
		(Mark 2)	1.488 - 1.492 mm (0.0586 - 0.0587 in.)
		(Mark 3)	1.492 - 1.496 mm (0.0587 - 0.0589 in.)
	Connecting rod oil clearance	STD (STD)	0.024 - 0.053 mm (0.0009 - 0.0021 in.)
		(U/S 0.25, U/S 0.50)	0.023 - 0.069 mm (0.0009 - 0.0027 in.)
Rod bend	Limit	0.08 mm (0.0031 in.)	
	Limit per 100 mm (3.94 in.)	0.05 mm (0.0020 in.)	
	Limit per 100 mm (3.94 in.)	0.15 mm (0.0059 in.)	
Rod twist	Limit per 100 mm (3.94 in.)	0.15 mm (0.0059 in.)	
Connecting rod bolt thread outside diameter	STD	7.860 - 8.000 mm (0.3094 - 0.3150 in.)	
	Limit	7.60 mm (0.2992 in.)	

Crankshaft	Thrust clearance	STD	0.020 - 0.220 mm (0.0008 - 0.0087 in.)
		Limit	0.30 mm (0.0118 in.)
	Thrust washer thickness		2.440 - 2.490 mm (0.0961 - 0.0980 in.)
	Main journal oil clearance	STD (No.1 for STD)	0.0025 - 0.0052 mm (0.0010 - 0.0020 in.)
		(No.1 for U/S 0.25, U/S 0.50)	0.0024 - 0.0080 mm (0.0009 - 0.0031 in.)
		(Others for STD)	0.0029 - 0.0056 mm (0.0011 - 0.0022 in.)
		(Others for U/S 0.25, U/S 0.50)	0.0028 - 0.0077 mm (0.0011 - 0.0030 in.)
		Limit	0.80 mm (0.0031 in.)
	Main journal diameter	STD	63.985 - 64.000 mm (2.5190 - 2.5197 in.)
		U/S 0.25	63.745 - 63.755 mm (2.5096 - 2.5100 in.)
		U/S 0.50	63.495 - 63.505 mm (2.4998 - 2.5002 in.)
	Main journal diameter (Reference)	STD (Mark 0)	63.996 - 64.000 mm (2.5195 - 2.5197 in.)
		(Mark 1)	63.990 - 63.996 mm (2.5193 - 2.5195 in.)
		(Mark 2)	63.985 - 63.990 mm (2.5191 - 2.5193 in.)
	Main bearing center wall thickness (Reference)	STD (No.1 for Mark 1)	1.991 - 1.994 mm (0.0784 - 0.0785 in.)
		(No.1 for Mark 2)	1.994 - 1.997 mm (0.0785 - 0.0786 in.)
		(No.1 for Mark 3)	1.997 - 2.000 mm (0.0786 - 0.0787 in.)
		(No.1 for Mark 4)	2.000 - 2.003 mm (0.0787 - 0.0789 in.)
		(No.1 for Mark 5)	2.003 - 2.006 mm (0.0789 - 0.0790 in.)
		(Others for Mark 1)	1.989 - 1.992 mm (0.0783 - 0.0784 in.)
	(Others for Mark 2)	1.992 - 1.995 mm (0.0784 - 0.0785 in.)	
	(Others for Mark 3)	1.995 - 1.998 mm (0.0785 - 0.0787 in.)	
	(Others for Mark 4)	1.998 - 2.001 mm (0.0787 - 0.0788 in.)	
	(Others for Mark 5)	2.001 - 2.004 mm (0.0788 - 0.0789 in.)	
Crank pin diameter	STD	54.987 - 55.000 mm (2.1648 - 2.1654 in.)	
	U/S 0.25	54.745 - 54.755 mm (2.1553 - 2.1557 in.)	
	U/S 0.50	54.495 - 54.505 mm (2.1455 - 2.1459 in.)	
Circle runout Limit		0.06 mm (0.0024 in.)	
Main journal taper and out-of-round Limit		0.02 mm (0.0008 in.)	
Crank pin journal taper and out-of-round Limit		0.02 mm (0.0008 in.)	

TORQUE SPECIFICATIONS

EG1EX-02

Part tightened	N-m	kgf-cm	ft.-lbf
No.1 idler pulley x Cylinder head	34	350	25
Crankshaft pulley x Crankshaft	245	2,500	181
Camshaft timing pulley x Camshaft	108	1,100	80
Fan bracket x Cylinder block	41	420	30
Timing belt tensioner x Fan bracket	26	270	20
Cooling fan x Fluid coupling	5.4	55	48 in.-lbf
Water outlet x No.2 idler pulley	8.3	85	74 in.-lbf
Spark plug x Cylinder head	18	180	13
Exhaust manifold x Cylinder head	39	400	29
Generator bracket x Cylinder head	37	380	27
Cylinder head x Cylinder block	44	450	33
	for 12 pointed head (1 st)		
	(2nd)	Turn 90°	
	(3rd)	Turn 90°	
	for 6 pointed head		
	41	420	30

Camshaft bearing cap x Cylinder head		16	160	12
Cylinder head cover x Cylinder head		5.4	55	48 in.·lbf
Engine hanger x Cylinder head		40	410	30
Oil dipstick guide x Cylinder head		37	380	27
Exhaust crossover pipe x Exhaust Manifold		39	400	29
Intake manifold x Cylinder head		18	185	13
Water by-pass outlet x Intake manifold		18	185	13
Delivery pipe x Cylinder head		13	130	9
No.1 injection manifold x Exhaust Manifold		29	300	22
PAIR reed valve x Cylinder head		37	380	27
No.3 timing belt cover x Cylinder head		8.3	85	74 in.·lbf
No.2 idler pulley x Intake manifold		18	185	13
No.4 timing belt cover x No.3 timing belt cover		8.3	85	74 in.·lbf
No.2 fuel pipe x Delivery pipe		34	350	25
No.3 fuel pipe x Delivery pipe		34	350	25
Air intake chamber x Intake manifold		18	185	13
EGR pipe x Exhaust manifold		29	300	22
EGR pipe x Air intake chamber		29	300	22
EGR valve x Air intake chamber		18	185	13
Air intake chamber stay x Air intake chamber		18	185	13
Air intake chamber stay x Cylinder head		18	185	13
Cold start injector tube x Cold start injector		15	150	13
Main bearing cap x Cylinder block	for 1st for 2nd	61 Turn 90°	625	45
Connecting rod cap x Connecting rod	1st 2nd	25 Turn 90°	250	18
Rear oil seal retainer x Cylinder block		7.8	80	69 in.·lbf
Oil pump x Cylinder block		20	200	14
Oil strainer x Main bearing cap		6.9	70	61 in.·lbf
Oil strainer x Oil pump		6.9	70	61 in.·lbf
Oil pan x Cylinder block		5.9	60	52 in.·lbf
Oil pan x Oil pump		5.9	60	52 in.·lbf
Oil pan x Rear oil seal retainer		5.9	60	52 in.·lbf
Oil filter union x Cylinder block		25	250	18
Oil cooler x Cylinder block	for union bolt (2WD) for relief valve (4WD) for bolt	59 59 39	600 600 400	43 43 29
Engine coolant drain plug x Cylinder block		29	300	22
RH engine mounting bracket x Cylinder block		40	410	30
LH engine mounting bracket x Cylinder block		40	410	30
Oil pressure sender gauge x Cylinder block		15	150	11
Water pump x Cylinder block	for short bolt for long bolt	20 18	200 185	14 13
No.1 water by-pass pipe x Cylinder block	for bolt for nut	4.9 6.9	50 70	43 in.·lbf 61 in.·lbf
Rear end plate x Cylinder block		7.4	75	65 in.·lbf
Crankshaft x Flywheel (M/T)		88	900	65
Crankshaft x Drive plate (A/T)		83	850	61
Cylinder block x Oil cooler relief valve		59	600	43

Rear engine mounting bracket x Support member (2W0)	25	260	19
Rear engine mounting bracket x Mounting insulator (2WD)	13	130	9
No.2 frame crossmember x Side frame (4WD)	95	970	70
No.2 frame crossmember x Rear engine mounting insulator (4WD)	13	130	9
RH engine mounting insulator x Body	37	380	27
LH engine mounting insulator x Body	37	380	27
Front exhaust pipe x Exhaust manifold	62	630	46
Front exhaust pipe x Three -way catalytic converter	39	400	29
Tailpipe x Three-way catalytic converter	39	400	29

EMISSION CONTROL SYSTEMS

SYSTEM PURPOSE

EG1EY-02

System	Abbreviation	Purpose
Positive crankcase ventilation Evaporative emission control Exhaust gas recirculation Pulsed secondary air injection Three-way catalytic converter Multiport fuel injection*	PCV EVAP EGR PAIR TWC MFI	Reduces blow-by gas (HC) Reduces evaporative H C Reduces NOx Reduces HC and CO Reduces HC, CO and NOx Regulates all engine conditions for reduction of exhaust emissions.



Remark: For inspection and repair of the MFI system, refer to the MFI section of this manual.

V02295

PREPARATION

RECOMMENDED TOOLS

EG1EZ-01

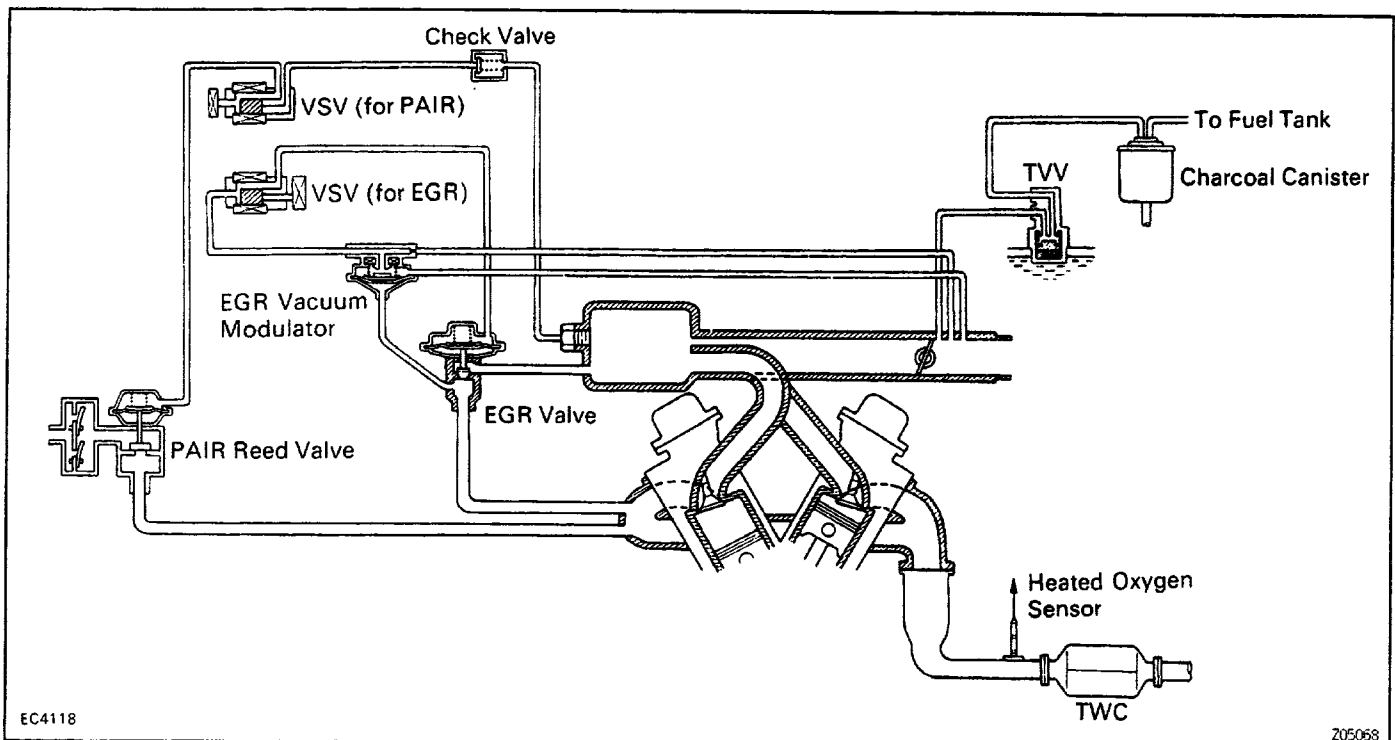
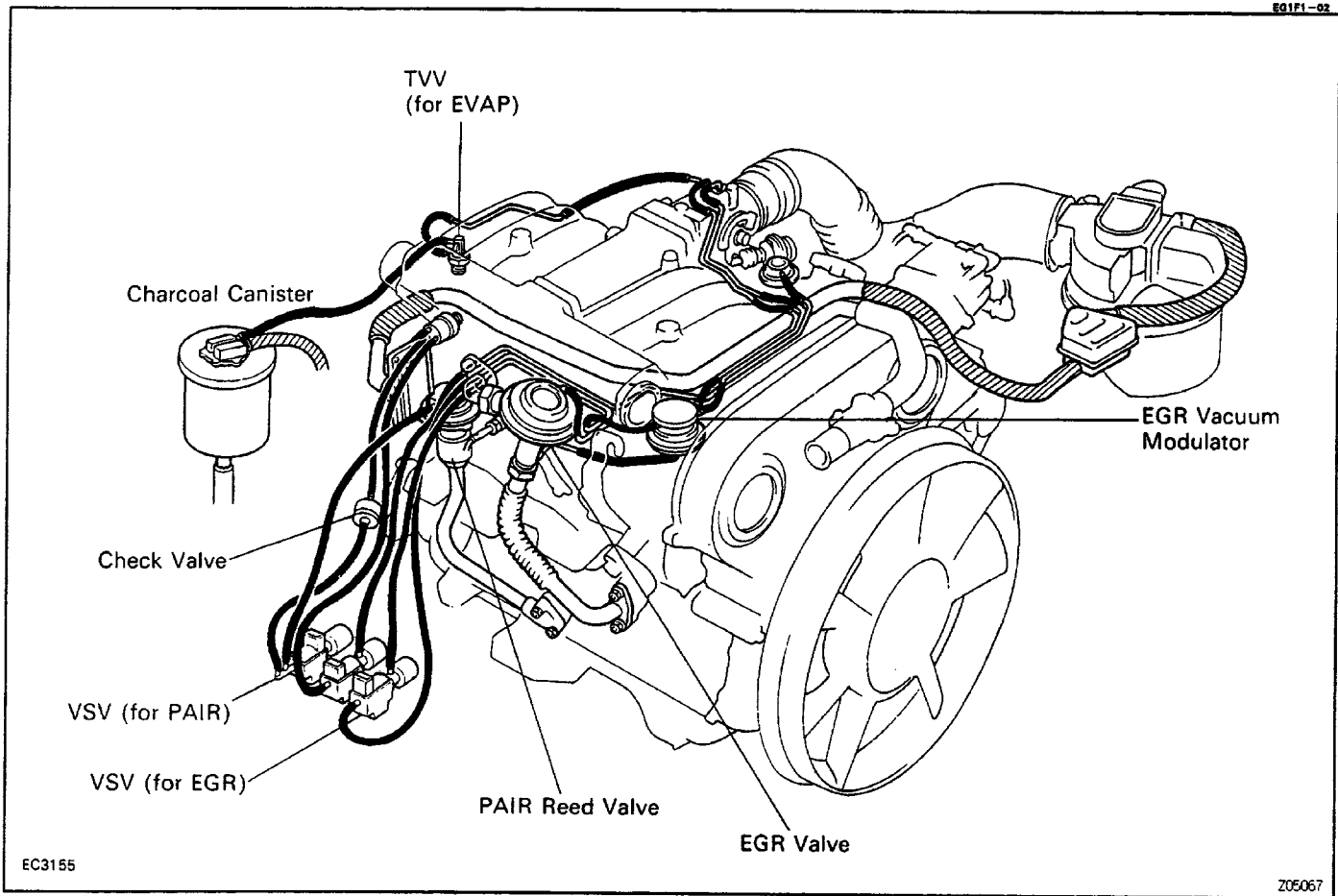
	09082-00015 TOYOTA Electrical Tester	
	09258-00030 Hose Plug Set	

EG1F0-01

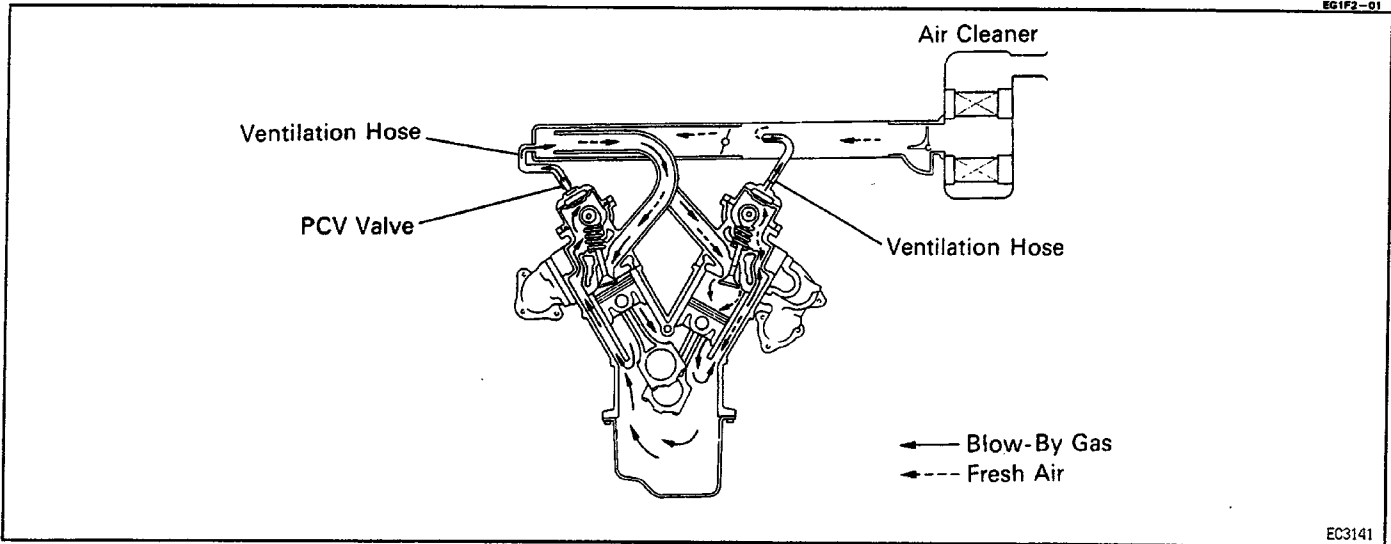
EQUIPMENT

Torque wrench	
Vacuum gauge	

LAYOUT AND SCHEMATIC DRAWING

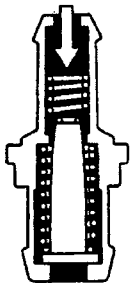


POSITIVE CRANKCASE VENTILATION (PCV) SYSTEM



To reduce HC emission, crankcase blow-by gas (HC) is routed through the PCV valve to the intake manifold for combustion in the cylinders.

Engine not Running or Backfiring

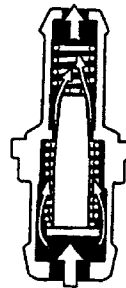


○ PCV VALVE IS CLOSED.

Cylinder Head Side

EC1001

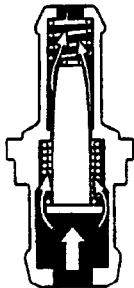
Normal Operation



○ PCV VALVE IS OPEN.
○ VACUUM PASSAGE IS LARGE.

EC1002

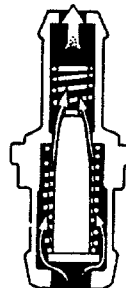
Idling or Decelerating



○ PCV VALVE IS OPEN.
○ VACUUM PASSAGE IS SMALL.

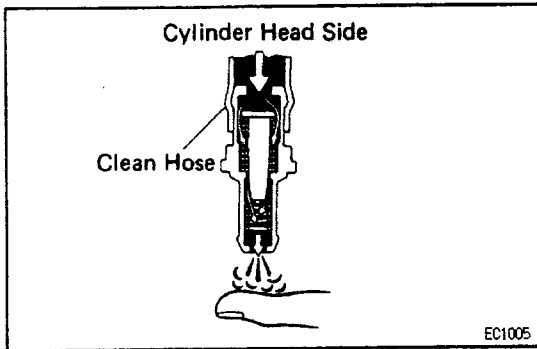
EC1003

Acceleration or Heavy Load



○ PCV VALVE IS FULLY OPEN.

EC1004



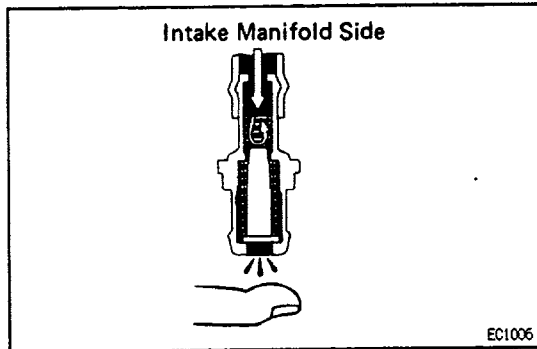
PCV VALVE INSPECTION

1. REMOVE PCV VALVE
2. ATTACH CLEAN HOSE TO PCV VALVE
3. BLOW AIR FROM CYLINDER HEAD SIDE

Check that air passes through easily.

NOTICE: Do not suck air through the valve.

Petroleum substances inside the valve are harmful.

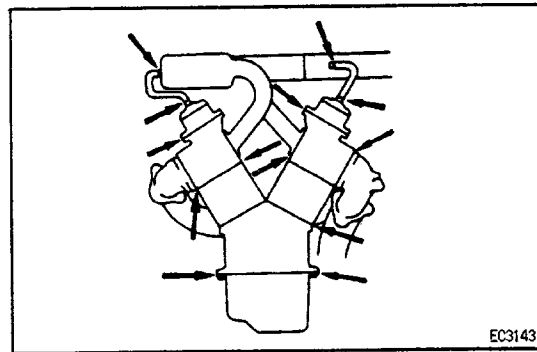


4. BLOW AIR FROM INTAKE MANIFOLD SIDE

Check that air passes through with difficulty.

If the PCV valve fails either check, replace it.

5. REINSTALL PCV VALVE

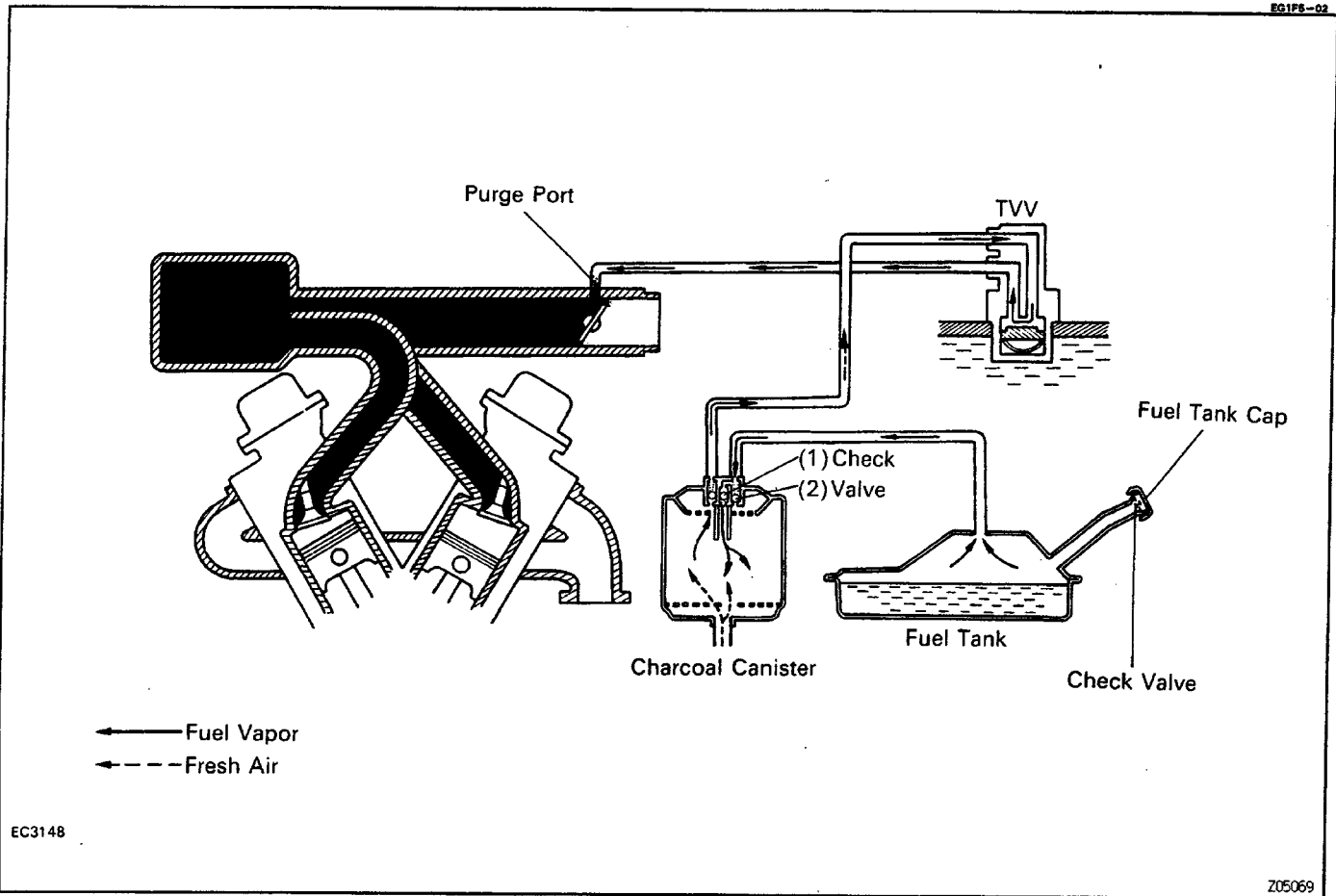


PCV HOSES AND CONNECTIONS INSPECTION

VISUALLY INSPECT HOSES, CONNECTIONS AND GASKETS

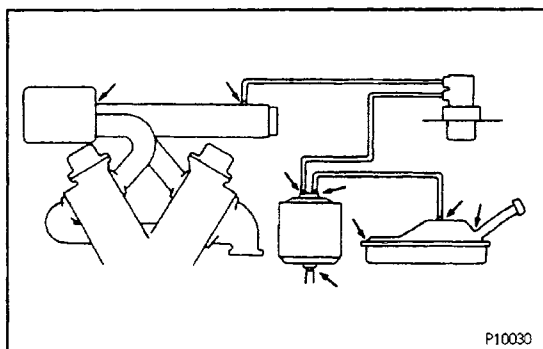
Check for cracks, leaks or damage.

EVAPORATIVE (EVAP) EMISSION CONTROL SYSTEM



To reduce HC emission, evaporated fuel from the fuel tank is routed through the charcoal canister to the intake manifold for combustion in the cylinders.

Engine Coolant Temp.	TVV	Throttle Valve Opening	Check Valve is Charcoal Canister			Check Valve in Cap	Evaporated Fuel (HC)
			(1)	(2)	(3)		
Below 35°C (95°F)	CLOSED	-	-	-	-	-	HC from tank is absorbed in the canister.
Above 54°C (129°F)	OPEN	Positioned below purge port	CLOSED	-	-	-	HC from canister is led into air intake manifold.
		Positioned above purge port	OPEN	-	-	-	
High pressure in tank	-	-	-	OPEN	CLOSED	CLOSED	HC from tank is absorbed in the canister.
High vacuum in tank	-	-	-	CLOSED	OPEN	OPEN	(Air is led into the fuel tank.)



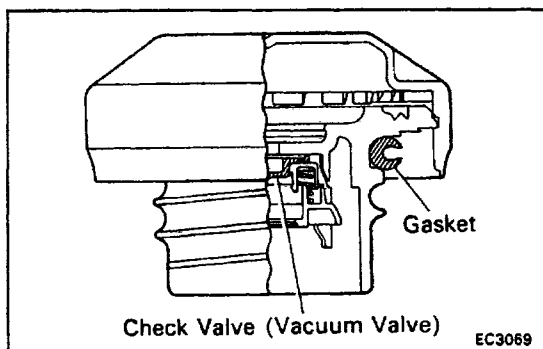
FUEL VAPOR LINES, FUEL TANK AND TANK CAP INSPECTION ^{EG1F8-02}

1. VISUALLY INSPECT LINES AND CONNECTIONS

Look for loose connections, sharp bends or damage.

2. VISUALLY INSPECT FUEL TANK

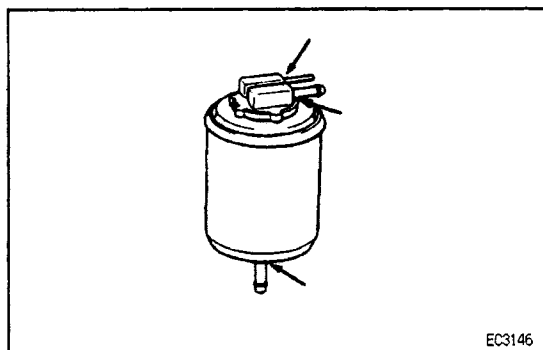
Look for deformation, cracks or fuel leakage.



3. VISUALLY INSPECT FUEL TANK CAP

Look for a damaged or deformed gasket and cap.

If necessary, repair or replace the cap.

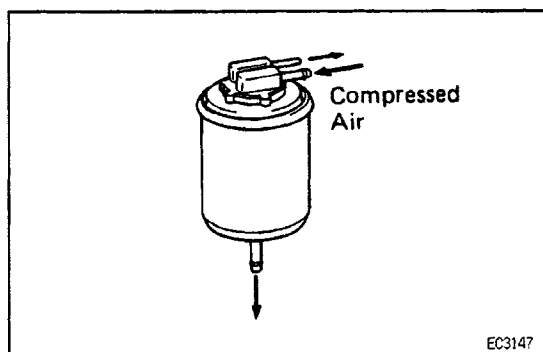


CHARCOAL CANISTER INSPECTION ^{EG1F7-01}

1. REMOVE CHARCOAL CANISTER

2. VISUALLY INSPECT CHARCOAL CANISTER CASE

Look for cracks or damage.

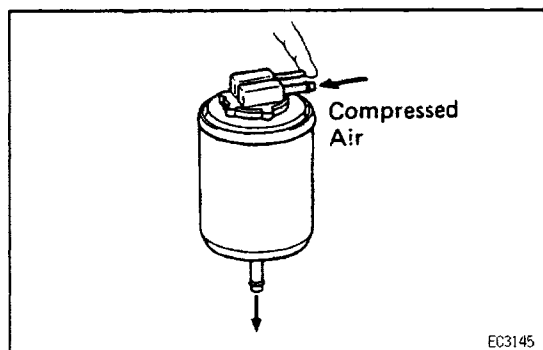


3. CHECK FOR CLOGGED FILTER AND STUCK CHECK VALVE

(a) Using low pressure compressed air, blow air into the tank pipe and check that air flows without resistance from the other pipes.

(b) Blow air into the purge pipe and check that air does not flow from the other pipes.

If a problem is found, replace the charcoal canister.



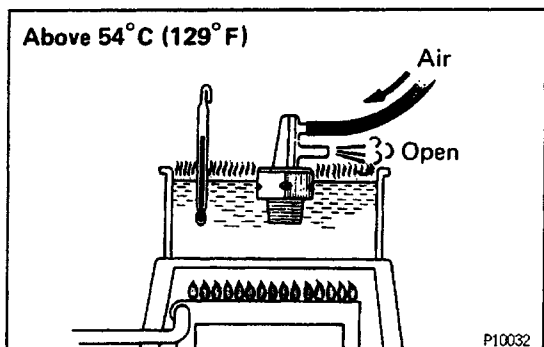
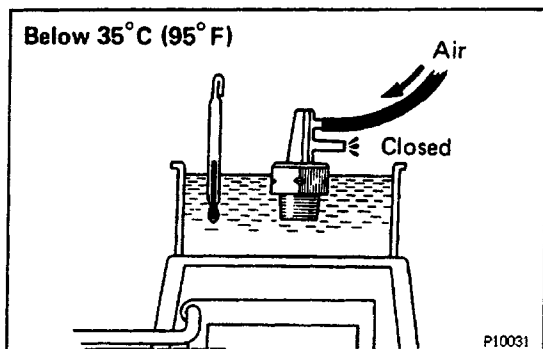
4. CLEAN FILTER IN CANISTER

Clean the filter by blowing 294 kPa (3 kgf/cm², 43 psi) of compressed air into the tank pipe, while holding the purge pipe closed.

HINT:

- Do not attempt to wash the canister.
- No activated carbon should come out.

5. INSTALL CHARCOAL CANISTER



TVV INSPECTION

CHECK TVV BY BLOWING AIR INTO PIPE

- (a) Drain the coolant from the radiator into a suitable container.
- (b) Remove the TVV from the intake manifold.
- (c) Cool the TVV to below 35°C (95°F) with cool water.
- (d) Blow air into a pipe and check that the TVV is closed.
- (e) Heat the TVV to above 54°C (129°F) with hot water.
- (f) Blow air into a pipe and check that the TVV is open.

If a problem is found, replace the TVV.

- (g) Apply adhesive to two or three threads of the TVV, and reinstall it.

Adhesive:

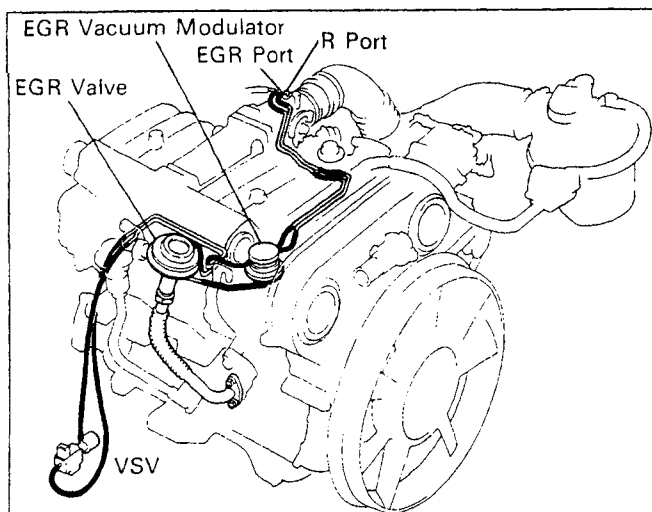
**Part No. 08833-00070. THREE BOND 1324
or equivalent**

Torque: 25 N-m (250 kgf-cm, 18 ft-lbf)

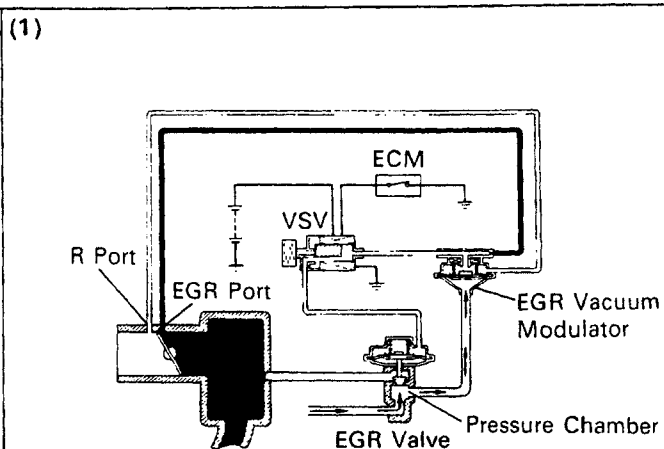
- (h) Fill the radiator with engine coolant.

EXHAUST GAS RECIRCULATION (EGR) SYSTEM

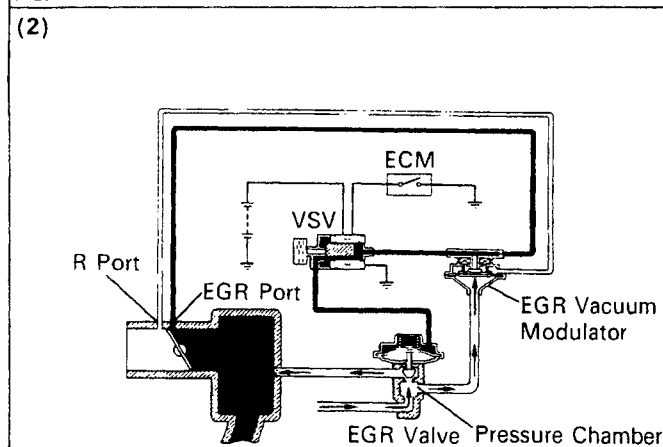
EG211-01



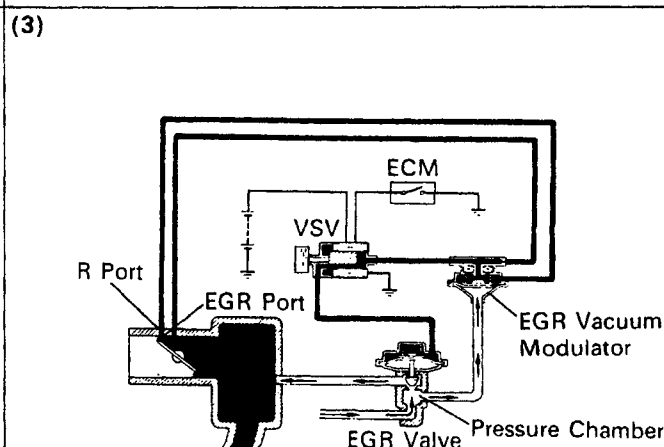
P02956



EC3606



EC3607



EC3608

To reduce NOx emissions, part of the exhaust gases are recirculated through the EGR valve to the intake manifold to lower the maximum combustion temperature.

Engine Coolant Temp.	VSV	Throttle Valve Opening Angle	Pressure in the EGR Valve Pressure Chamber	EGR Vacuum Modulator	EGR Valve	Exhaust Gas	
Below 48°C (118°F)	CLOSED				CLOSED	Not recirculated	
Above 52°C (126°F)	OPEN	Positioned below EGR port	-	-	CLOSED	Note Recirculated	
		Positioned between EGR port and R port	(1) LOW	*Pressure constantly alternating between low and high	OPENS passage to atmosphere	CLOSED	Note Recirculated
			(2) HIGH		CLOSES passage to atmosphere	OPEN	Recirculated
Positioned above R port	(3) HIGH	**	CLOSES passage to atmosphere	OPEN	Recirculated (increase)		

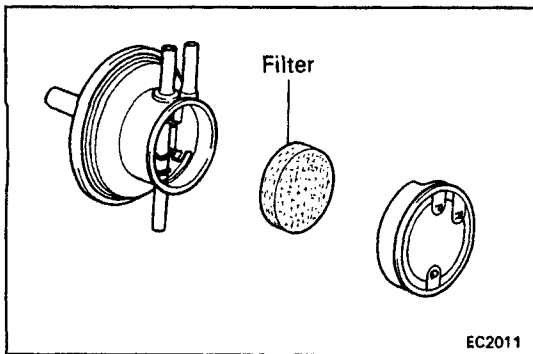
Remarks: *Pressure increases → Modulator closes → EGR valve opens → Pressure drops
 ↓ EGR Valve closes ← Modulator opens

** When the throttle valve is positioned above the R port, the EGR vacuum modulator will close the atmosphere passage and open the EGR valve to increase the EGR gas, even if the exhaust pressure is insufficiently low.

EGR SYSTEM INSPECTION

1. CHECK AND CLEAN FILTER IN EGR VACUUM MODULATOR

- Check the filter for contamination or damage.
- Using compressed air, clean the filter.

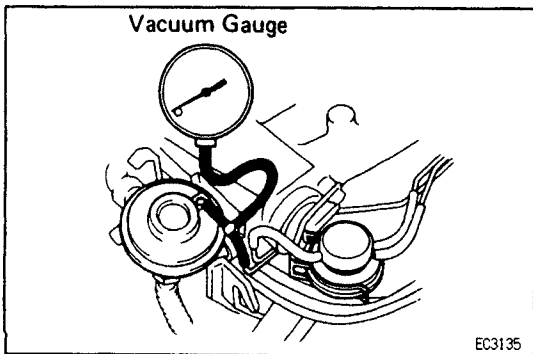


2. PREPARATION

Disconnect the vacuum hose from the EGR valve and using a three-way union, connect a vacuum gauge to it.

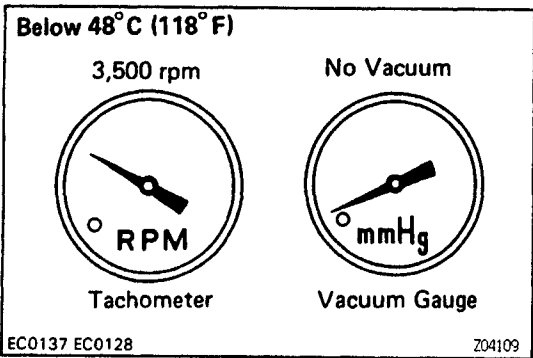
3. CHECK SEATING OF EGR VALVE

Start the engine and check that the engine starts and runs at idle.



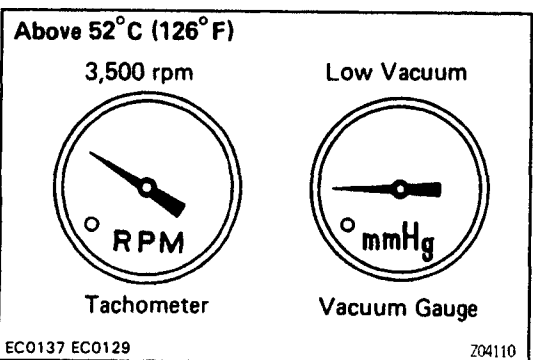
4. CHECK VSV WITH COLD ENGINE

- The engine coolant temperature should be below 48°C (118°F).
- Check that the vacuum gauge indicates zero at 3,500 rpm.



5. CHECK VSV AND EGR VACUUM MODULATOR WITH WARM ENGINE

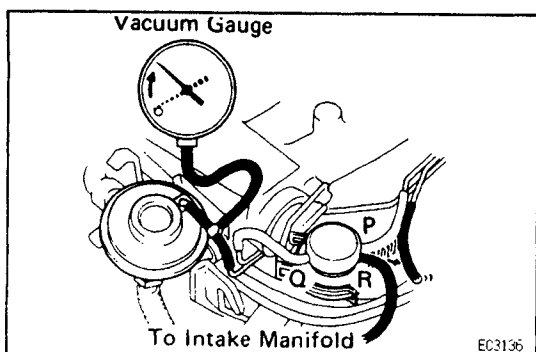
- Warm up the engine.
- Check that the vacuum gauge indicates zero at idle.
- Check that the vacuum gauge indicates low vacuum at 3,500 rpm.

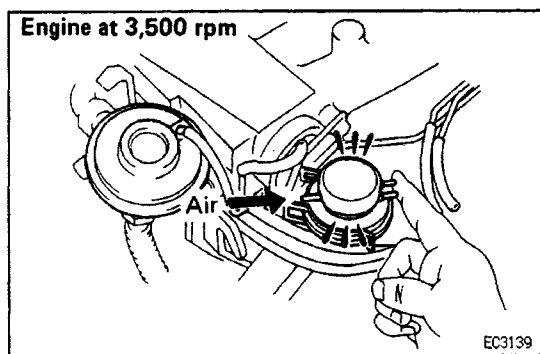
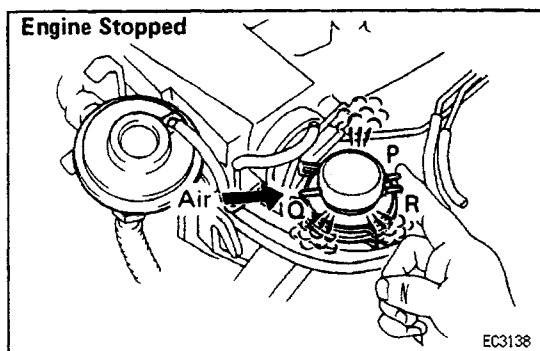
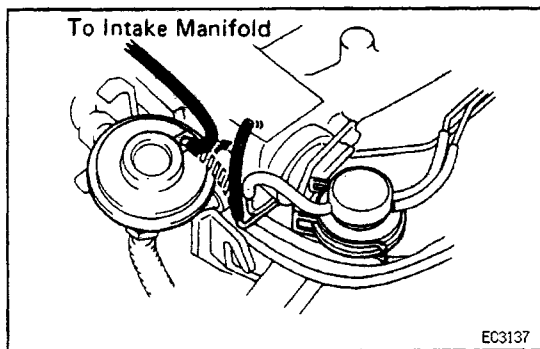


- Disconnect the vacuum hose from R port of the EGR vacuum modulator and connect R port directly to the intake manifold with another hose.
- Check that the vacuum gauge indicates high vacuum at 3,500 rpm.

HINT: As a large amount of EGR gas enters, the engine will misfire slightly.

- Disconnect the vacuum gauge and reconnect the vacuum hoses to the proper locations.





6. CHECK EGR VALVE

- Apply vacuum directly to the EGR valve with the engine idling.
- Check that the engine runs rough or dies.
- Reconnect the vacuum hoses to the proper locations.
If no problem is found with this inspection, the system is okay; otherwise inspect each part.

EGR VACUUM MODULATOR INSPECTION

CHECK EGR VACUUM MODULATOR OPERATION

- Disconnect the vacuum hoses from ports P, Q and R of the EGR vacuum modulator.
- Plug ports P and R with your finger.
- Blow air into port Q. Check that the air passes through to the air filter side freely.
- Start the engine and maintain speed at 3,500rpm.
- Repeat the above test. Check that there is a strong resistance to air flow.
- Reconnect the vacuum hoses to the proper locations.
If a problem is found, replace the EGR vacuum modulator. "

EGR VALVE INSPECTION

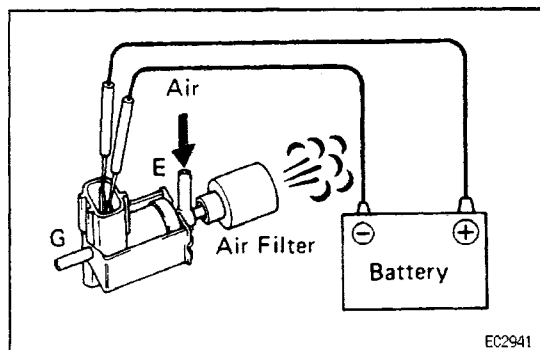
EG1FG-01

1. REMOVE EGR VALVE

Check the valve for sticking and heavy carbon deposits.

If a problem is found, replace it.

2. INSTALL EGR VALVE WITH NEW GASKET

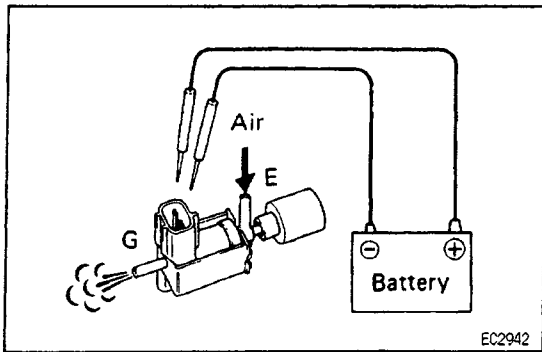


VSV INSPECTION

EG1FD-01

1. CHECK VACUUM CIRCUIT CONTINUITY IN VSV BY BLOWING AIR INTO PIPE

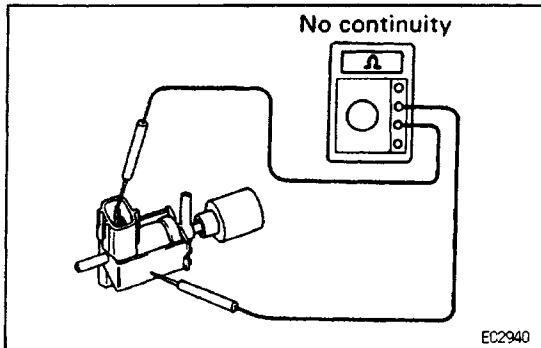
- Connect the VSV terminals to the battery terminals as illustrated.
- Blow air into a pipe E and check that air comes out of air filter.



(c) Disconnect the battery.

(d) Blow air into a pipe E and check that air comes out of pipe G.

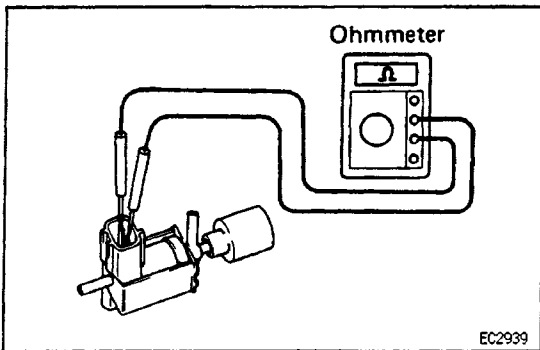
If a problem is found, replace the VSV.



2. CHECK FOR SHORT CIRCUIT

Using an ohmmeter, check that there is no continuity between the terminals and the VSV body.

If there is continuity, replace the VSV.



3. CHECK FOR OPEN CIRCUIT

Using an ohmmeter, measure the resistance between the terminals.

Specified resistance: 30 – 50Ω at 20 •C (68 •F)

If the resistance is not within specification, replace the VSV.

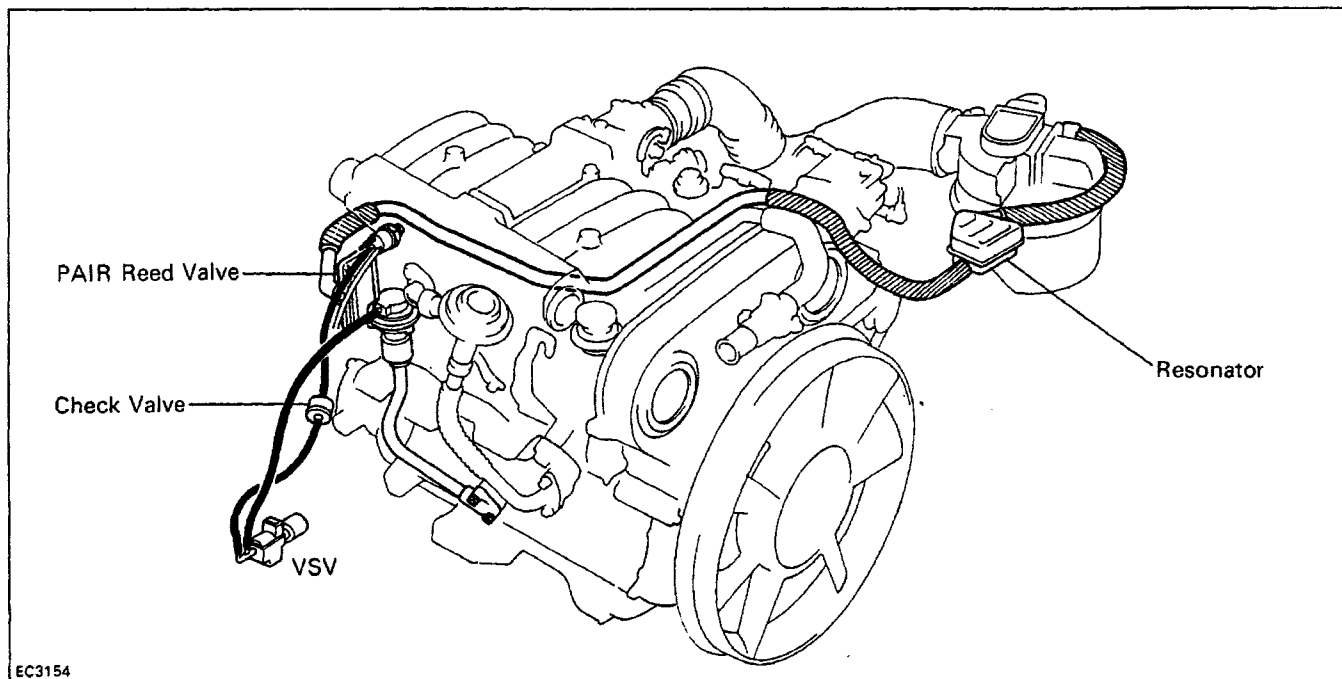
ENGINE COOLANT TEMP. SENSOR INSPECTION

(See page EG2-348)

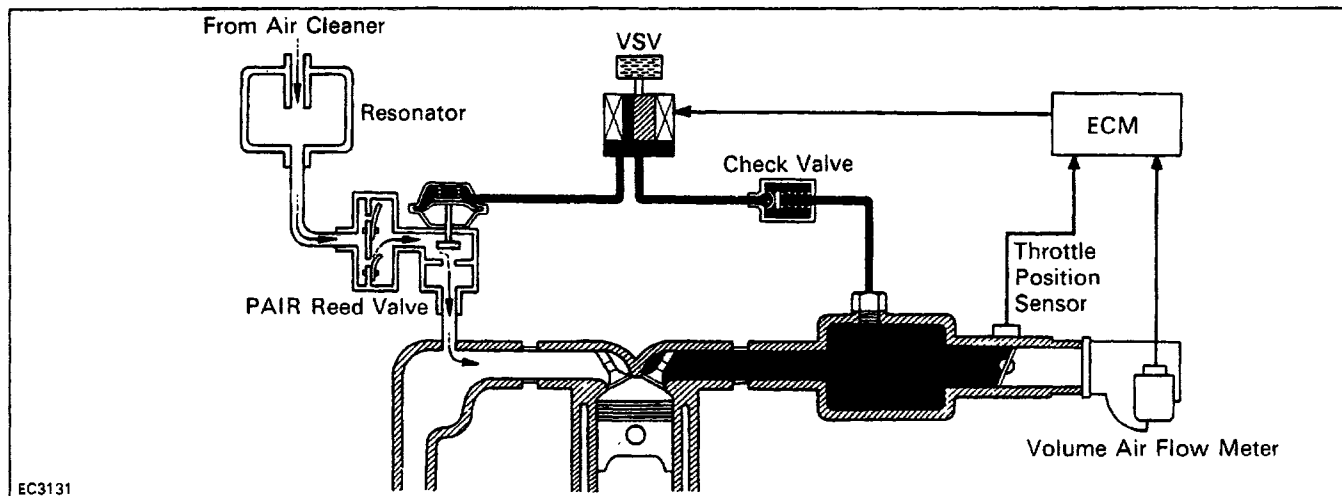
eclFe-01

PULSED SECONDARY AIR INJECTION (PAIR) SYSTEM

EG212-01



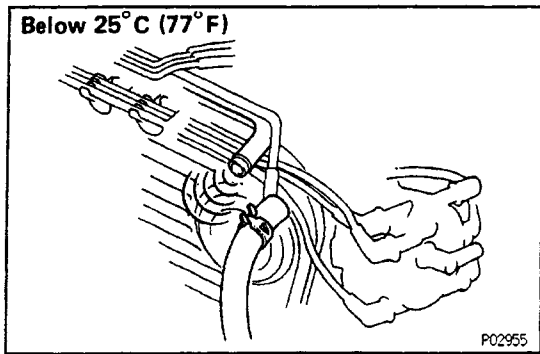
EC3154



EC3131

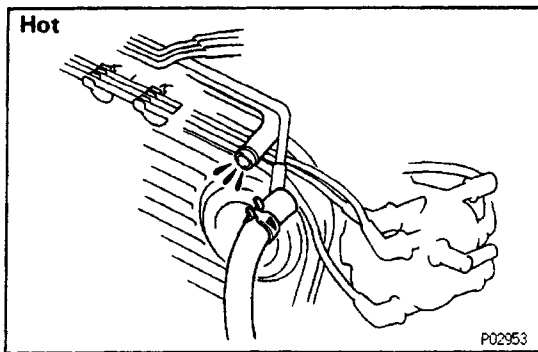
To reduce HC and CO emissions, this system draws in air into exhaust ports to accelerate oxidation, using vacuum generated by the exhaust pulsation in the exhaust manifold.

Condition	Engine Coolant Temp.	Throttle Valve Position	Engine RPM	VSV	PAIR
Normal driving	Below 25°C (77°F)		-	ON	ON
Deceleration	Above 35°C (95°F)	Idling	Below 1,000 rpm	OFF	OFF
			Between 1,200 - 3,200 rpm	ON	ON

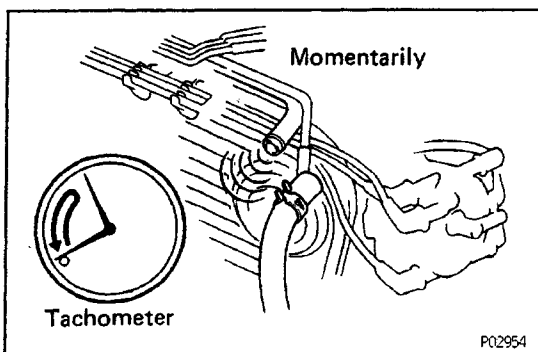


PAIR SYSTEM INSPECTION

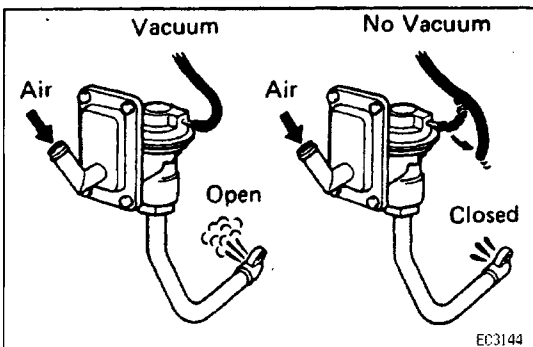
1. VISUALLY CHECK HOSES AND TUBES FOR CRACKS, KINKS, DAMAGE OR LOOSE CONNECTIONS
2. CHECK PAIR SYSTEM WITH COLD ENGINE
 - (a) The engine coolant temperature should be below 25 • C (77 • F).
 - (b) Disconnect the No.2 air hose from the air pipe.
 - (c) Check that a bubbling noise is heard from the air pipe at idle.



3. CHECK PAIR SYSTEM WITH WARM ENGINE
 - (a) Warm up the engine.
 - (b) With the engine idling, check that a bubbling noise is not heard from the air pipe.



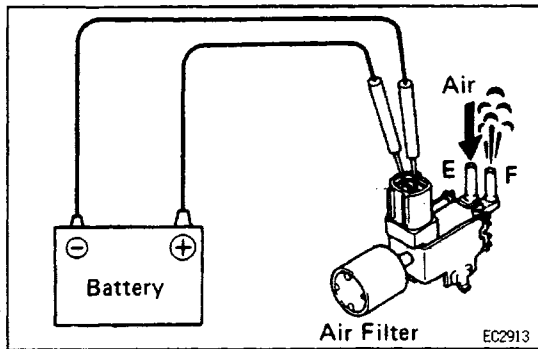
- (c) Race the engine above 2,000 rpm and quickly close the throttle valve. Check that a bubbling noise stops momentarily.



PAIR REED VALVE INSPECTION

CHECK REED VALVE BY BLOWING AIR INTO PIPE

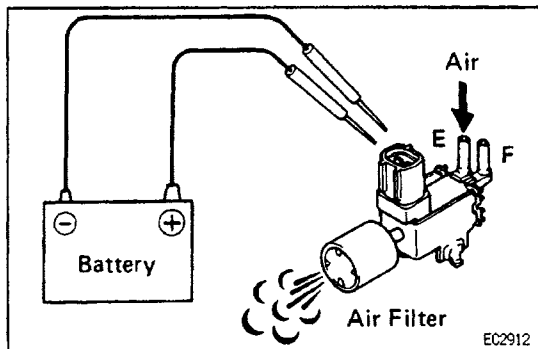
- (a) Apply vacuum to the reed valve diaphragm.
- (b) Blow air into a pipe and check that the reed valve is open.
- (c) Release the vacuum and check that the reed valve is closed.



VSV INSPECTION

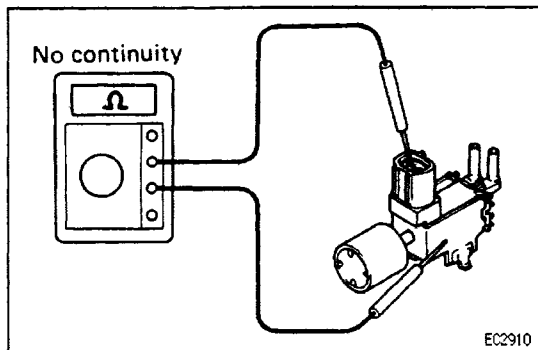
1. CHECK VACUUM CIRCUIT CONTINUITY IN VSV BY BLOWING AIR INTO PIPE

- (a) Connect the VSV terminals to the battery terminals as illustrated.
- (b) Blow air into pipe E and check that air comes out of pipe F.



- (c) Disconnect the battery.
- (d) Blow air into pipe E and check that air comes out of air filter.

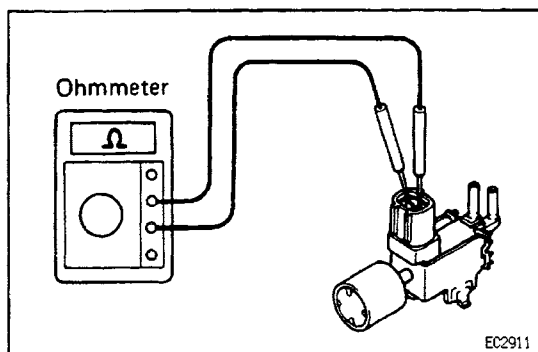
If a problem is found, replace the VSV.



2. CHECK FOR SHORT CIRCUIT

Using an ohmmeter, check that there is no continuity between the terminals and the VSV body.

If there is continuity, replace the VSV.

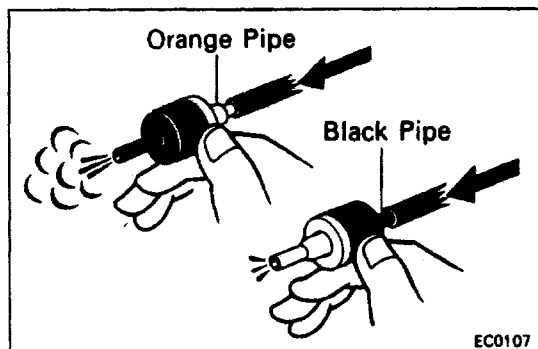


3. CHECK FOR OPEN CIRCUIT

Using an ohmmeter, measure the resistance between the terminals.

Specified resistance: 30 – 50 at 20 • C (68 • F)

If the resistance is not within specification, replace the VSV.



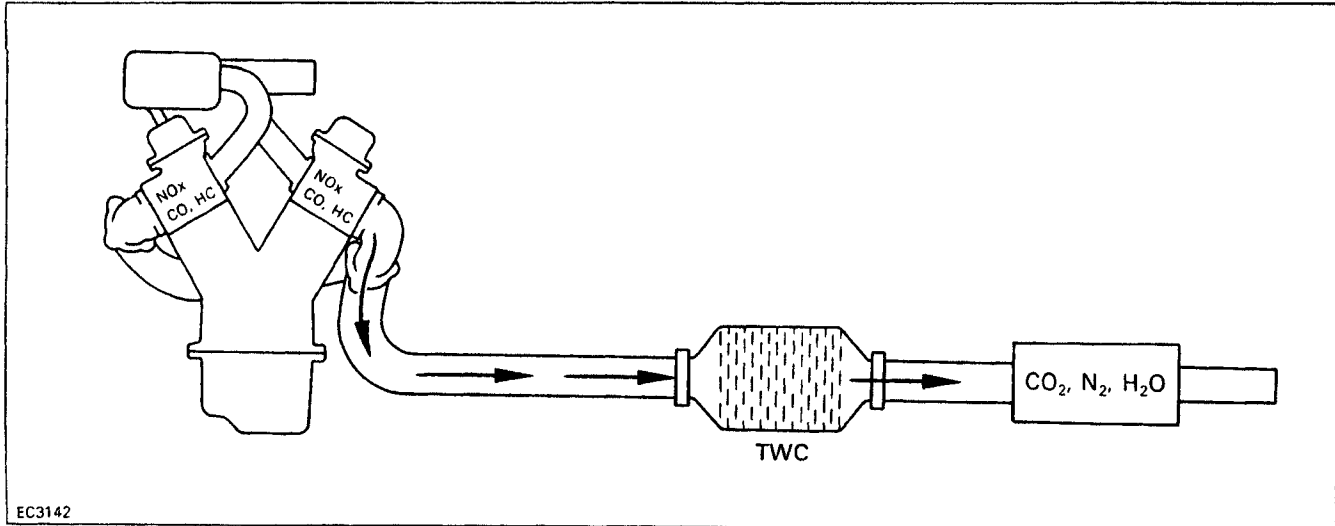
CHECK VALVE INSPECTION

CHECK VALVE BY BLOWING AIR INTO EACH PIPE

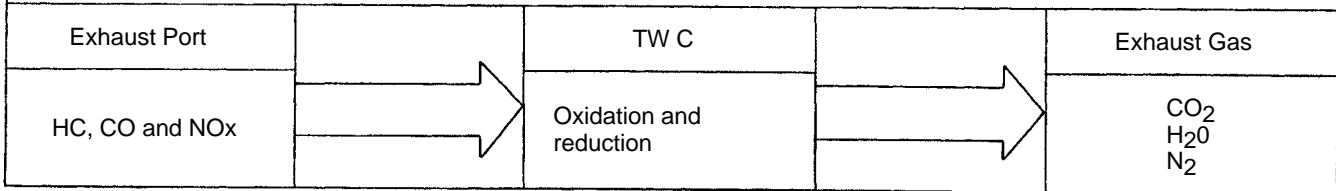
- (a) Check that air flows from the orange pipe to the black pipe.
- (b) Check that air does not flow from the black pipe to the orange pipe.

THREE-WAY CATALYTIC CONVERTER (TWC) SYSTEM

E0214-01



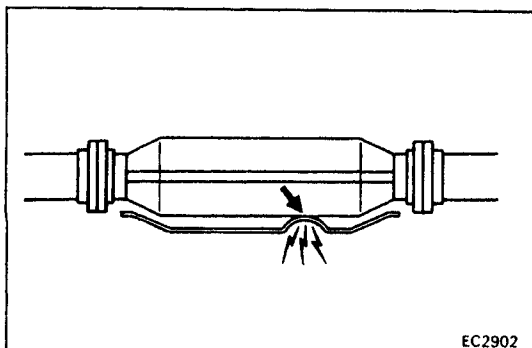
To reduce HC, CO and NO_x emissions, they are oxidized, reduced and converted to nitrogen (N₂), carbon dioxide (CO₂) and water (H₂) by the catalyst.



V01947

EXHAUST PIPE ASSEMBLY INSPECTION

1. CHECK CONNECTIONS FOR LOOSENESS OR DAMAGE
2. CHECK CLAMPS FOR WEAKNESS. CRACKS OR DAMAGE

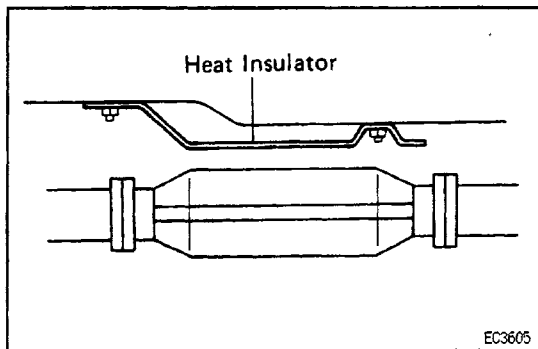


CATALYTIC CONVERTER INSPECTION

CHECK FOR DENTS OR DAMAGE

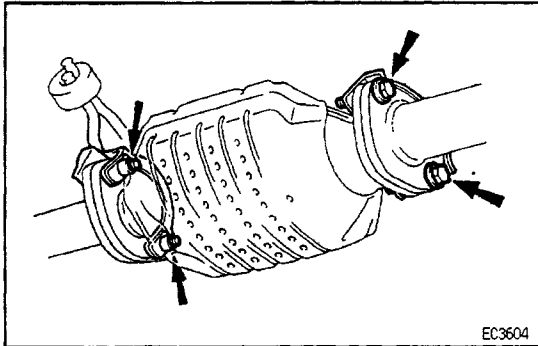
If any part of the protector is damaged or dented to the extent that it contacts the catalyst, repair or replace it.

E0171-01



HEAT INSULATOR INSPECTION

1. CHECK HEAT INSULATOR FOR DAMAGE
2. CHECK FOR ADEQUATE CLEARANCE BETWEEN CATALYTIC CONVERTER AND HEAT INSULATOR



CATALYTIC CONVERTER REPLACEMENT

1. REMOVE CONVERTER

- (a) Jack up the vehicle.
- (b) Check that the converter is cool.
- (c) Remove the bolts at the front and rear of the converter.
- (d) Remove the converter and gasket.

2. INSTALL CONVERTER

- (a) Place new gaskets on the converter front and rear pipes, and connect the converter to the exhaust pipes.
- (b) Torque the bolts.

Torque: 39 N-m (400 kgf-cm, 29 ft-lbf)

- (c) Reinstall the bracket bolts and tighten them.

SERVICE SPECIFICATIONS

EG213-01

SERVICE DATA

VSV for EG R	Resistance (at 20°C (68°F))	30 - 50 Ω
VSV for PAIR	Resistance (at 20°C (68°F))	30 - 50 Ω

TORQUE SPECIFICATIONS

EG1FR-01

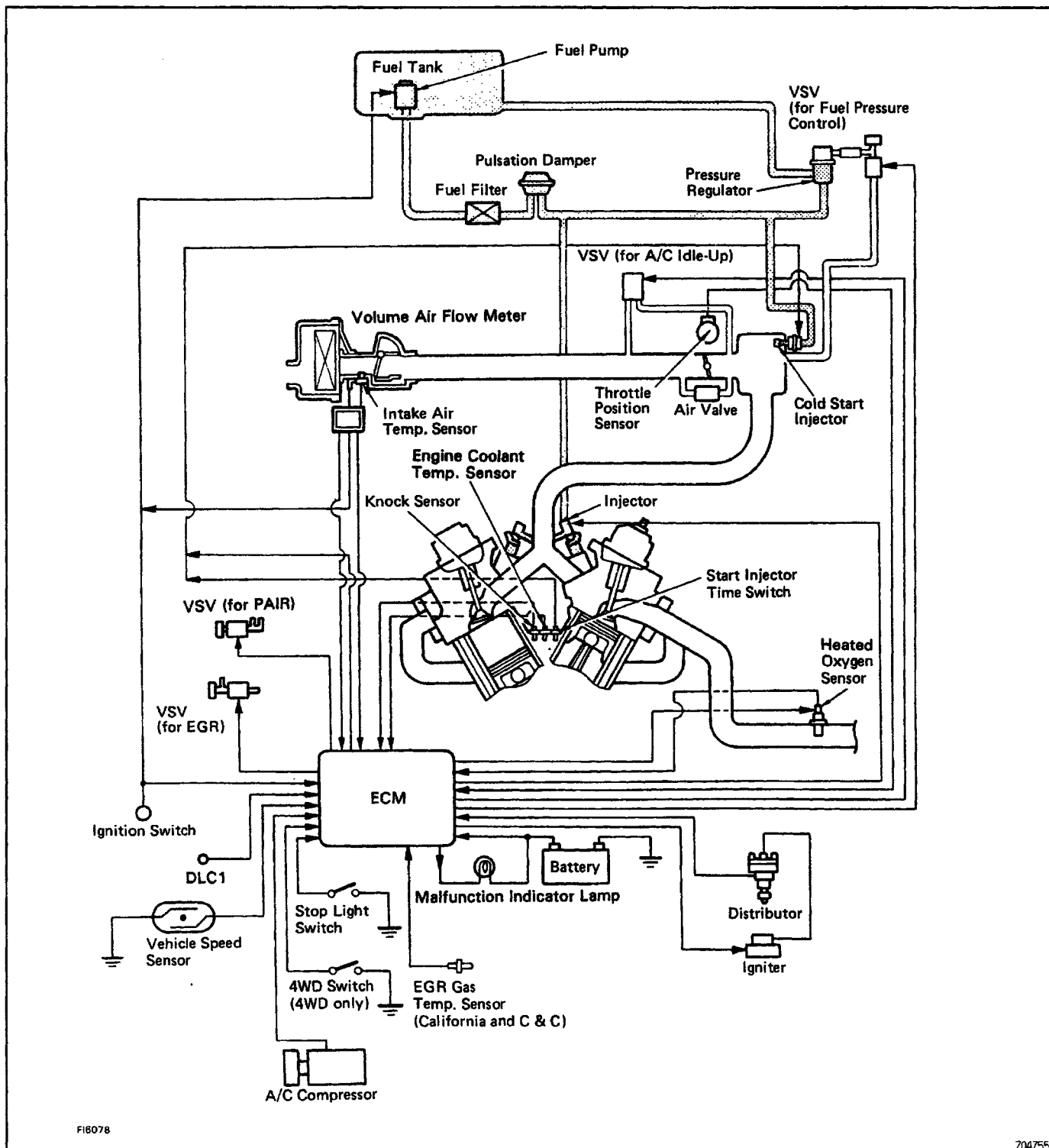
Part tightened	N·m	kgf·cm	ft·lbf
EGR valve x Air intake chamber	18	185	13
TWC x Exhaust pipe	39	400	29

MFI SYSTEM

DESCRIPTION

SYSTEM CIRCUIT

EG1F8-02



FUEL SYSTEM

An electric fuel pump supplies sufficient fuel, under a constant pressure, to the MFI injectors. In accordance with signals from the ECM, these injectors inject the most appropriate quantity of fuel for the engine condition into the intake manifold.

EG1FU-01

AIR INDUCTION SYSTEM

The air induction system provides just the right amount of air for the engine operating condition.

EG1FV-01

ELECTRONIC CONTROL SYSTEM

The 3VZ-E engine is equipped with a Toyota Computer Controlled System (TCCS) which centrally controls the MFI, ESA, Diagnosis systems, etc. by means of an Engine Control Module (ECM, formerly the MFI computer) employing a microcomputer. By means of the ECM, the TCCS controls the following functions.:

EG1FW-02

1. Multiport Fuel Injection (MFI)

The ECM receives signals from various sensors indicating changing engine operating conditions such as:

- Intake air volume
- Intake air temperature
- Engine coolant temperature
- Engine speed
- Acceleration/deceleration
- Exhaust oxygen content etc.

These signals are utilized by the ECM to determine the injection duration necessary for an optimum air-fuel ratio.

2. Electronic Spark Advance (ESA)

The ECM is programmed with data for optimum ignition timing under all operating conditions.

Using data provided by sensors which monitor various engine functions (RPM, intake air volume, engine coolant temperature, etc.), the microcomputer (ECM) triggers the spark at precisely the right instant.

3. Diagnosis Function .

When the ECM detects malfunction or abnormalities in the sensor network, it lights the malfunction indicator lamp in the combination meter. At the same time, the trouble is identified and a diagnostic trouble code is recorded by the ECM. The diagnostic trouble code can be read by the number of blinks of the malfunction indicator lamp when terminals TE1 and E1 are connected.

The diagnostic trouble codes are explained on pages [EG2-17S](#) and 177.

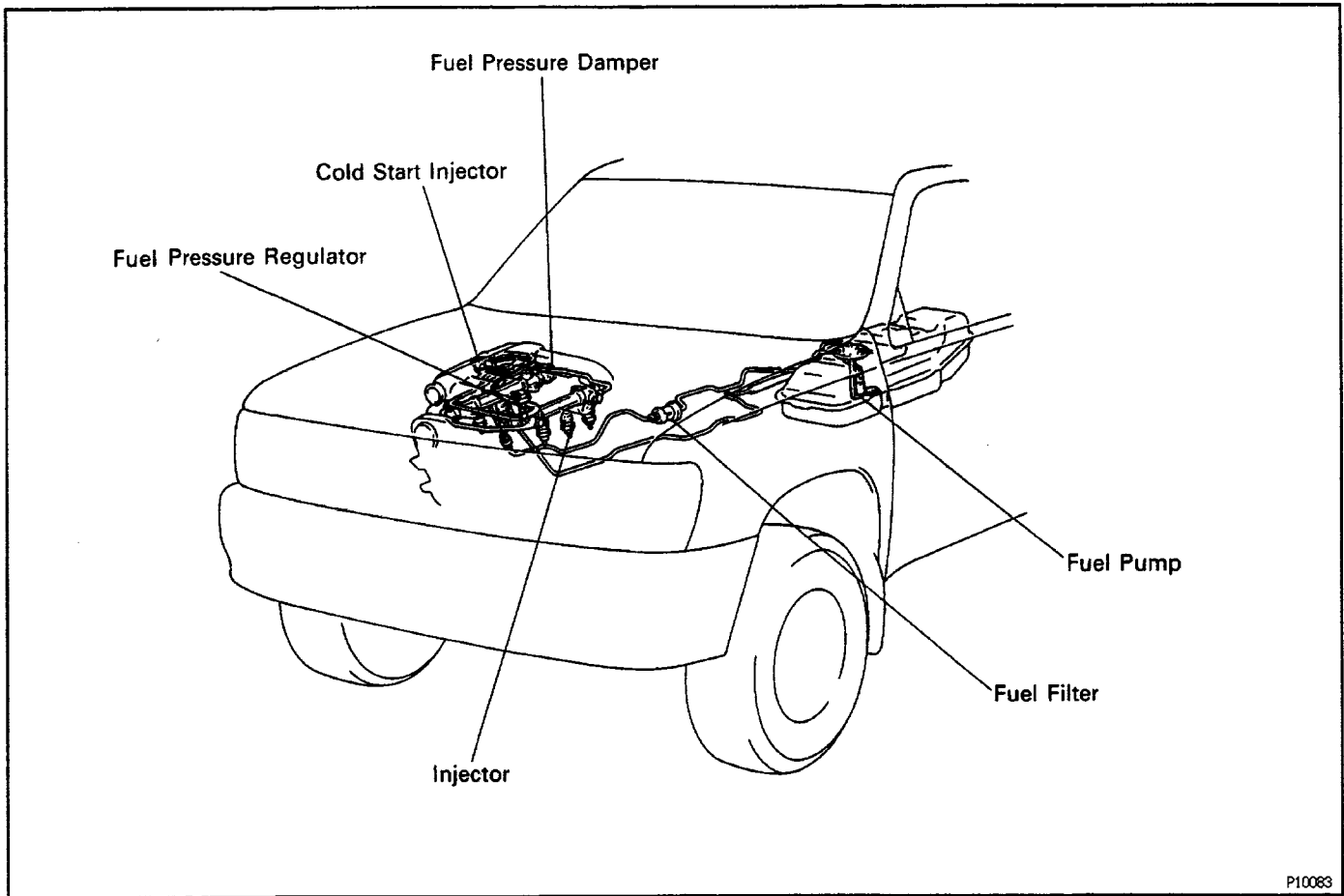
Fail-Safe Function

In the event of a sensor malfunction, a backup circuit will take over to provide minimal driveability, and the malfunction indicator lamp will light up.

OPERATION

FUEL SYSTEM

EG1FX-02



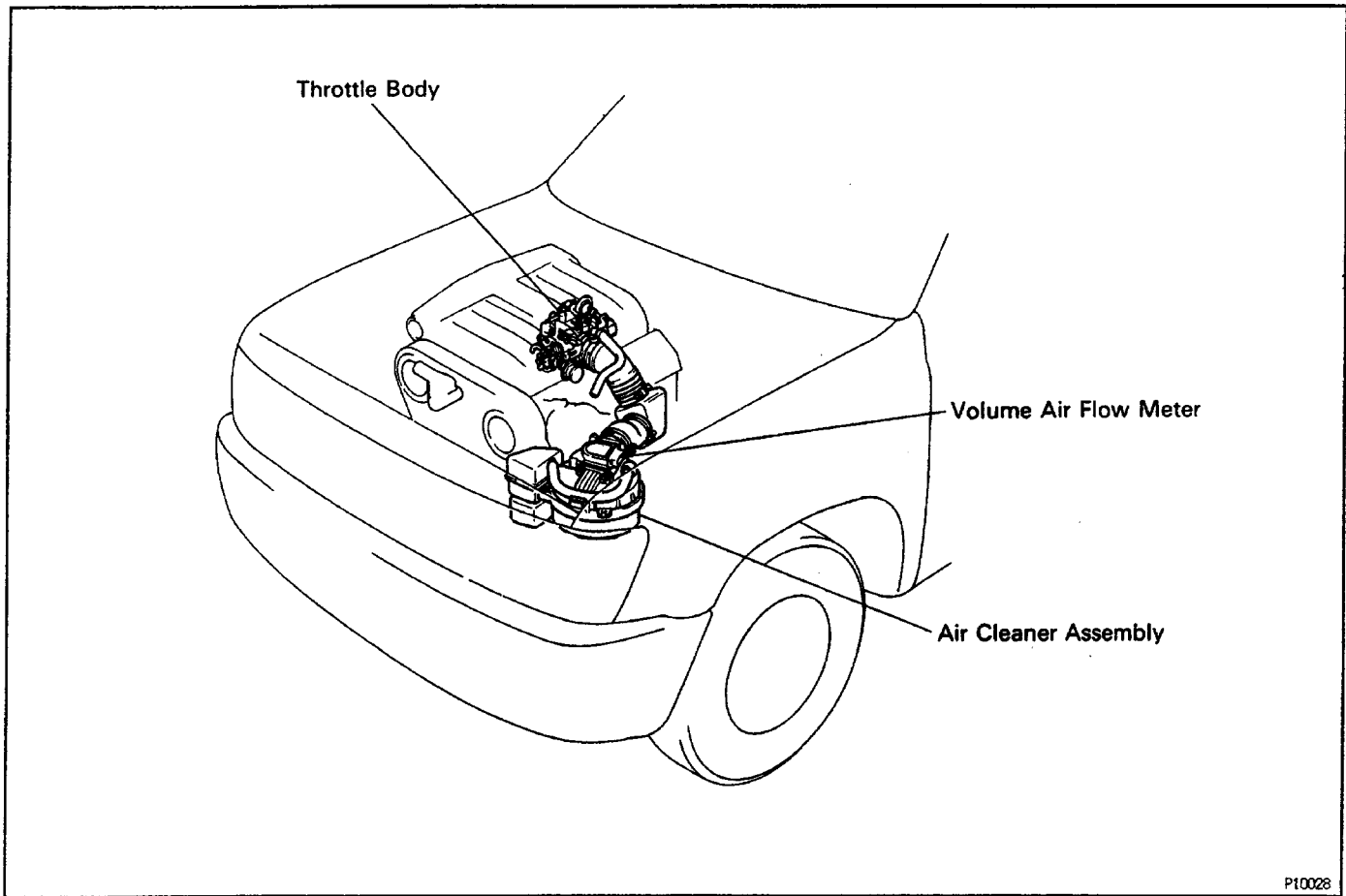
Fuel is pumped up by the fuel pump, flows through the fuel filter and is distributed to each injector and cold start injector at a set pressure maintained by the fuel pressure regulator. The fuel pressure regulator adjusts the pressure of the fuel from the fuel line (high pressure side) to a pressure 284 kPa (2.9 kgf/cm², 41 psi) higher than the pressure inside the intake manifold, and excess fuel is returned to the fuel tank through the return pipe. When the engine is hot, the fuel pressure is increased to control percolation in the fuel system and improve restartability and idling stability.

The pulsation damper absorbs the slight fluctuations in fuel pressure caused by fuel injector from the injector.

The injectors operate on input of injection signals from the ECM and inject fuel into the intake manifold.

When starting, the cold start injector operates when engine coolant temperature is less than 70°C, injecting fuel into the air intake chamber to improve startability.

AIR INDUCTION SYSTEM



Air filtered through the air cleaner passes through the volume air flow meter and the amount flowing to the air intake chamber is determined according to the throttle valve opening in the throttle body and the engine speed.

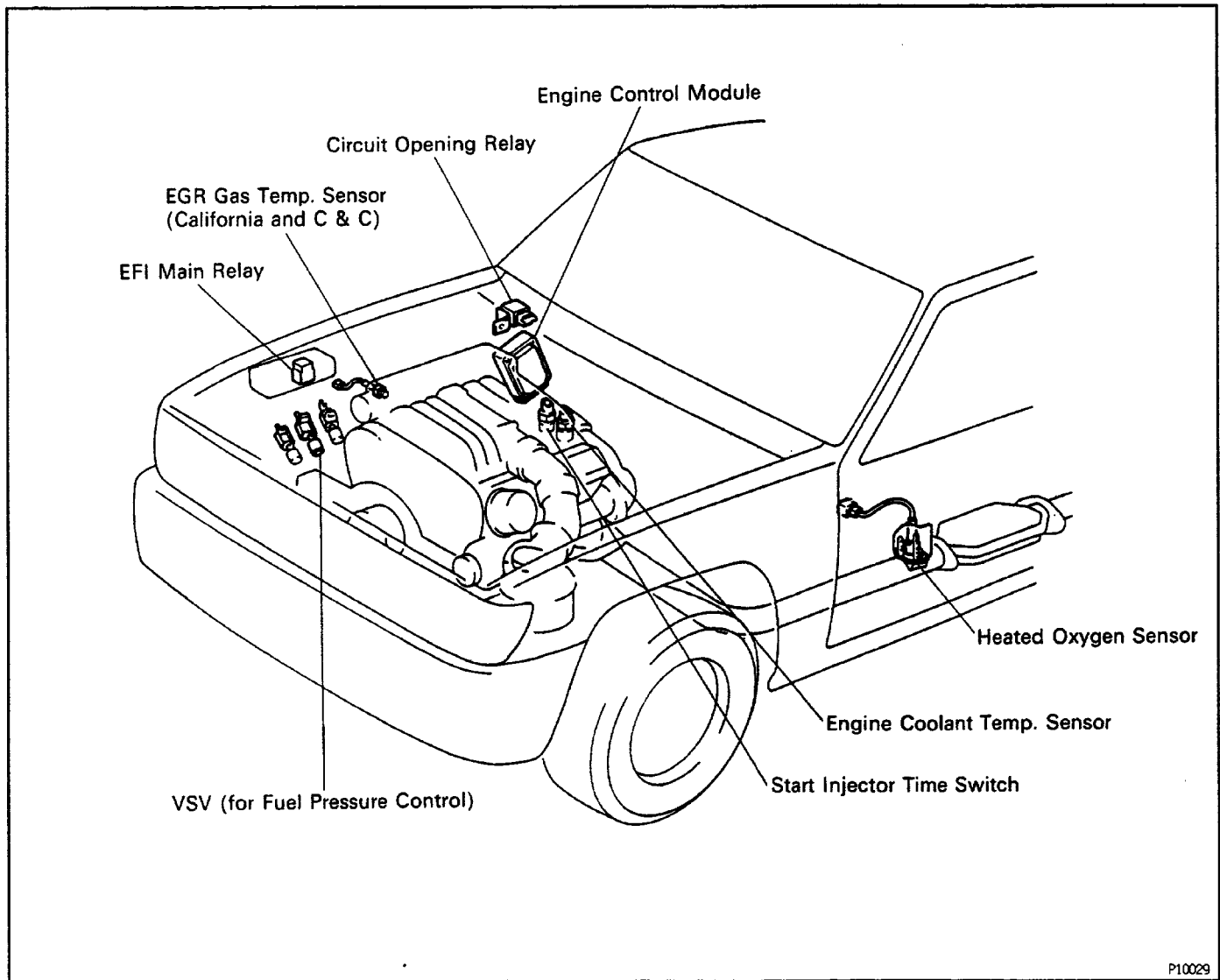
The volume air flow meter measures the intake air flow by the opening of the measuring plate in response to the volume of intake air to the engine.

Located in the throttle body is the throttle valve, which regulates the volume of intake air to the engine. Intake air controlled by the throttle valve opening is distributed from the air intake chamber to the manifold of each cylinder and is drawn into the combustion chamber.

At low temperatures the air valve opens and the air flows through the air valve and the throttle body, into the air intake chamber. During engine warming up, even if the throttle valve is completely closed, air flows to the air intake chamber, thereby increasing the idle speed (first idle operation).

The air intake chamber prevents pulsation of the intake air, reduces the influence on the volume air flow meter and increases the accuracy of the measurement of the intake air volume. It also prevents intake air interference in each cylinder.

ELECTRONIC CONTROL SYSTEM




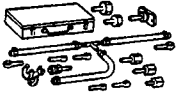


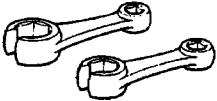



The control system consists of sensors which detect various engine conditions, and an ECM which determines the injection volume (timing) based on the signals from the sensors. The various sensors detect the intake air volume, engine speed, oxygen density in the exhaust gas, engine coolant temperature, intake air temperature and atmospheric pressure etc. and convert the information into an electrical signal which is sent to the ECM. Based on these signals, the ECM calculates the optimum ignition timing for the current conditions and operates the injectors.

The ECM not only controls the fuel injection timing, but also the self diagnostic function which records the occurrence of a malfunction, ignition timing control, idle speed control, fuel pressure control and fuel pump control.

PREPARATION




EG160-02

SST (SPECIAL SERVICE TOOLS)

	09240-00020 Wire Gauge set	Throttle body
	09268-41045 Injection Measuring Tool Set	
	(09268-52010) Injection Measuring Attachment	
	09268-45012 EFi Fuel Pressure Gauge	
	09631 -22020 Power Steering Hose Nut 14 x 17 mm Wrench Set	Fuel line flare nut
	09842-30050 Wire 'A' EFI Inspection	
	09842-30070 Wiring "F" EFI Inspection	
	09843-18020 Diagnosis Check Wire	

EG161-01

RECOMMENDED TOOLS

	09082-00015 TOYOTA Electrical Tester	
	09200-00010 Engine Adjust Kit	
	09258-00030 Hose Plug Set	Plug for the vacuum hose, fuel hose etc.

EQUIPMENT

Graduated cylinder	Injector
Carburetor cleaner	Throttle body
Tachometer	
Soft brush	Throttle body

PRECAUTIONS

1. Before working on the fuel system, disconnect the negative terminal from the battery.

HINT: Any diagnostic trouble code retained by the computer will be erased when the battery terminal is removed.

Therefore, if necessary, read the diagnosis before removing the battery terminal.

2. Do not smoke or work near an open flame when working on the fuel system.
3. Keep gasoline away from rubber or leather parts.

MAINTENANCE PRECAUTIONS

EG104-03

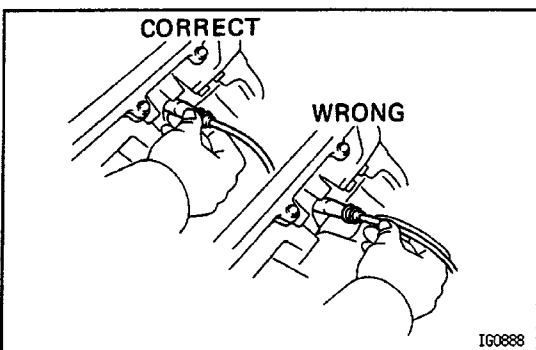
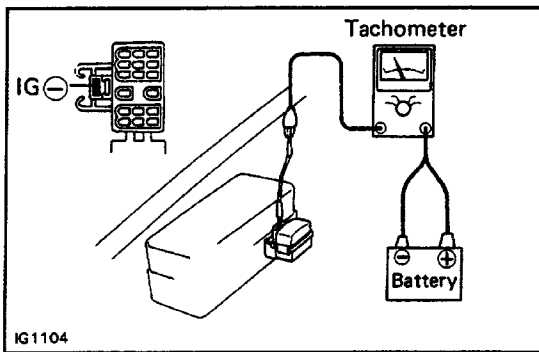
1. CHECK CORRECT ENGINE TUNE-UP

(See page [EG2-12](#))

2. PRECAUTIONS WHEN CONNECTING GAUGE

(a) Connect the tachometer positive terminal to the IG E terminal of the DLC1.

(b) Use the battery as the power source for the timing light, tachometer, etc.



3. IN EVENT OF ENGINE MISFIRE, THE FOLLOWING PRECAUTIONS SHOULD BE TAKEN

(a) Check proper connection of battery terminals, etc.

(b) Handle high-tension cords carefully.

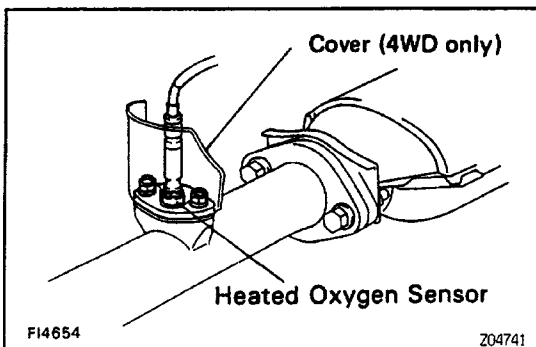
(c) After repair work, check that the ignition coil terminals and all other ignition system lines are reconnected securely.

(d) When clearing the engine compartment, be especially careful to protect the electrical system from water.

4. PRECAUTIONS WHEN HANDLING HEATED OXYGEN SENSOR

(a) Do not allow the heated oxygen sensor to drop or hit against an object.

(b) Do not allow the sensor come into contact with water.



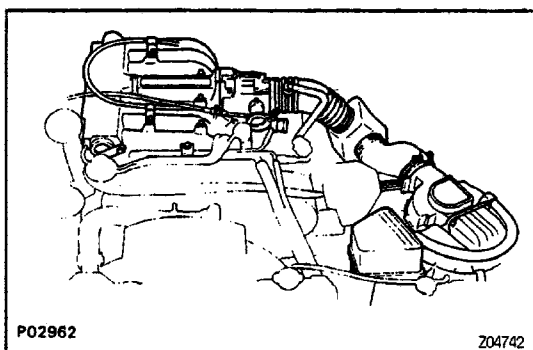
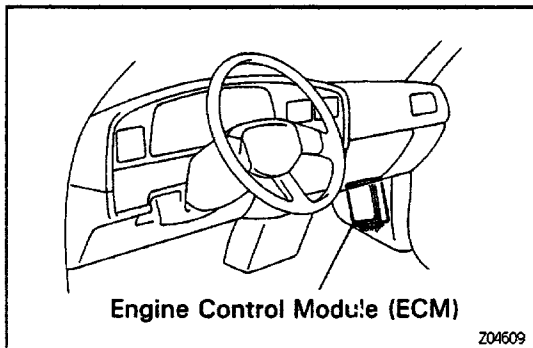
IF VEHICLE IS EQUIPPED WITH MOBILE RADIO SYSTEM (HAM, CB, ETC)

The ECM has been designed so that it will not be affected by outside interference.

However, if your vehicle is equipped with a amateur radio transceiver, etc. (even one with approx. 10 W output), it may, at times, have an effect upon ECM operation, especially if the antenna and feeder are installed nearby.

Therefore, observe the following precautions:

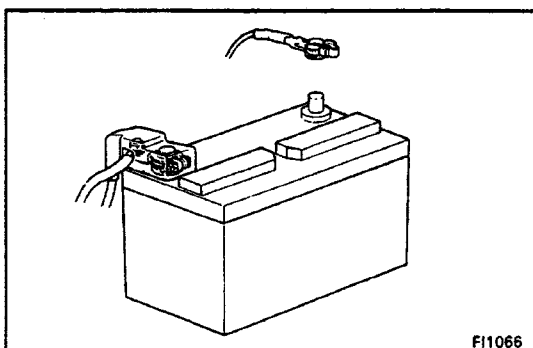
- (a) Install the antenna as far away as possible from the ECM. The ECM is located in the right side kick panel so the antenna should be installed at the rear, left side of the vehicle.
If installing on the bumper, do so on the right side, if possible.
- (b) Keep the antenna feeder as far away as possible from the ECM wires – at least 20 cm (7.87 in.) – and, especially, do not wind them together.
- (c) Check that the feeder and antenna are properly adjusted.
- (d) Do not equip your vehicle with a powerful mobile radio system.
- (e) Do not open the cover or the case of the ECM unless absolutely necessary. (If the IC terminals are touched, the IC may be destroyed by static electricity.)



AIR INDUCTION SYSTEM

EG108-03

1. Separation of the engine oil dipstick, oil filler cap, PCV hose, etc. may cause the engine to run out of tune.
2. Disconnection, looseness or cracks in the parts of the air induction system between the volume air flow meter and cylinder head will cause air suction and cause bad engine tuning.

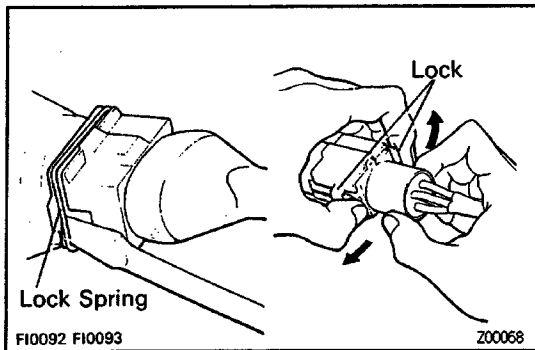


ELECTRONIC CONTROL SYSTEM

EG107-03

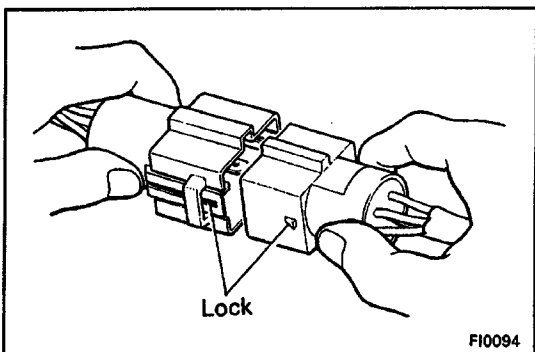
1. Before removing MFI wiring connectors, terminals, etc., first disconnect the power by either turning the ignition switch OFF or disconnecting the battery terminals.
2. When installing a battery, be especially careful not to incorrectly connect the positive and negative cables.

3. Do not permit parts to receive a severe impact during removal or installation. Handle all MFI parts carefully, especially the ECM.
4. Take great care during troubleshooting as there are numerous transistor circuits and even slight terminal contact can cause further troubles.
5. Do not open the ECM cover.
6. When inspecting during rainy weather, take care to prevent entry of water. Also, when washing the engine compartment, prevent water from getting on the MFI parts and wiring connectors.
7. Parts should be replaced as an assembly.

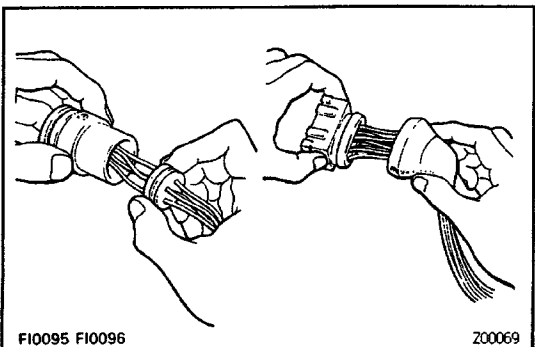


8. Care is required when pulling out the inserting wiring connectors.

(a) To pull the connector out, release the lock and pull on the connector.

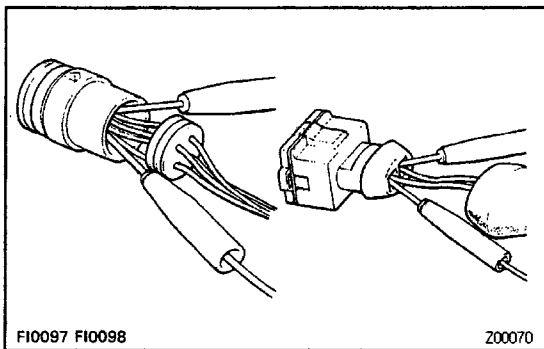


(b) Fully insert the connector and check that it is locked:



9. When inspecting a connector with a volt/ohmmeter.

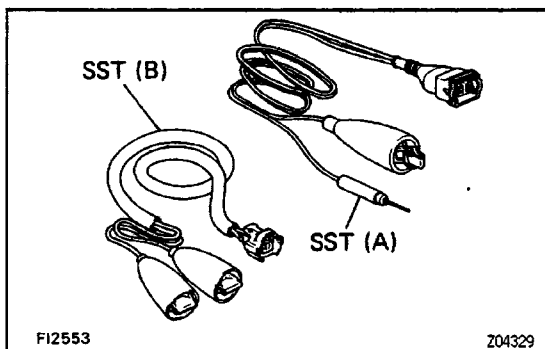
(a) Carefully take out the water-proofing rubber if it is a water-proof type connector.



(b) Insert the tester probe into the connector from the wiring side when checking the continuity, amperage or voltage.

(c) Do not apply unnecessary force to the terminal.

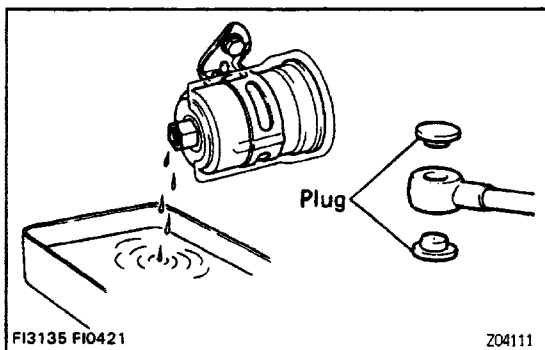
(d) After the check, securely install the water-proofing rubber on the connector.



10. Use SST for inspection or testing of the injector, cold start injector or their wiring connectors.

SST 09842-30050 (A)

09842-30070 (B)



FUEL SYSTEM

EG17A-02

1. When disconnecting the connection of the high fuel pressure line, a large amount of gasoline may come out so observe the following procedure:

(a) Put a container under the connection.

(b) Slowly loosen the connection.

(c) Disconnect the connection.

(d) Plug the connection with a rubber plug.

2. When connecting the flare nut or union bolt on the high pressure pipe union, observe the following procedure:

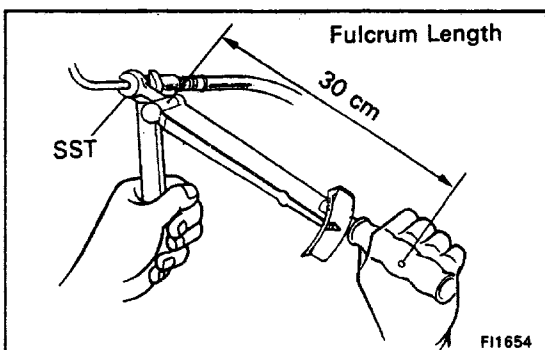
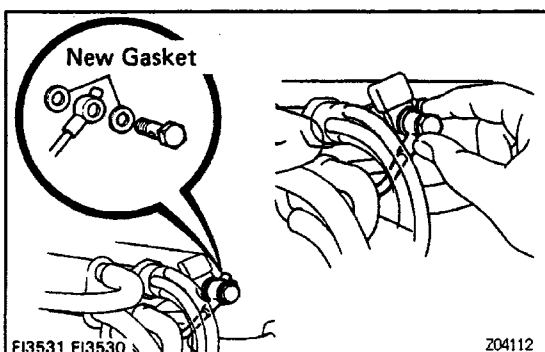
(Union bolt type)

(a) Always use a new gasket.

(b) Tighten the union bolt by hand.

(c) Tighten the union bolt to the specified torque.

Torque: 15 N-m(150 kgf-cm, 11 ft-lbf)



(Flare nut type)

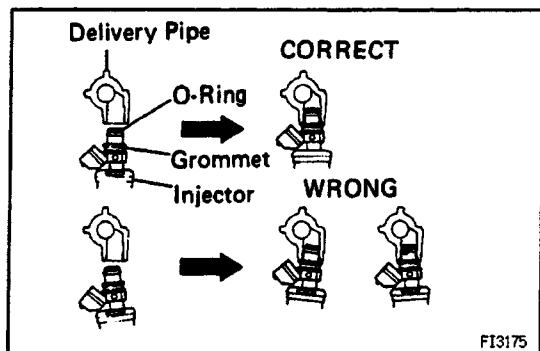
(a) Apply a light coat of engine oil to the flare and tighten the flare nut by hand.

(b) Then using SST, tighten the flare nut to the specified torque.

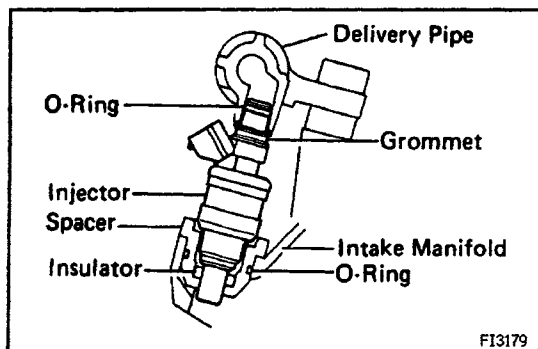
SST 09631- 22020

Torque: 27 N-m (280 kgf-cm, 20 ft-lbf)

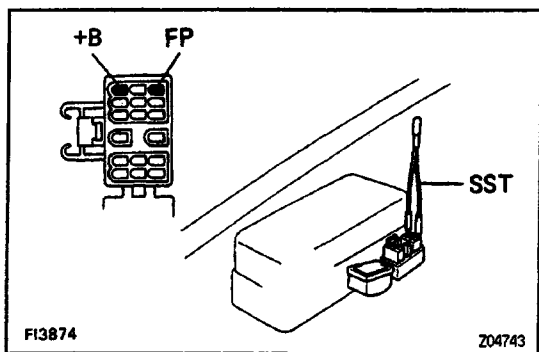
HINT: Use a torque wrench with a fulcrum length of 30 cm (11.81 in.)



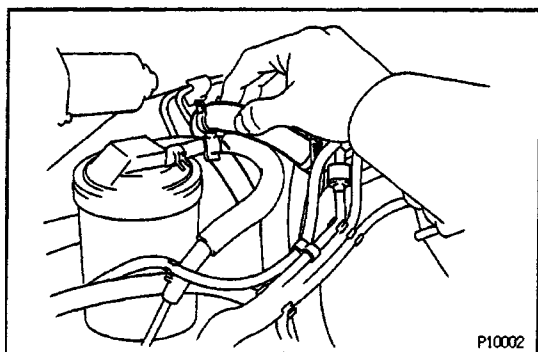
3. Observe the following precautions when removing and installing the injectors.
 - (a) Never reuse the O-ring.
 - (b) When placing a new O-ring on the injector, take care not to damage it in any way.
 - (c) Lubricate the new O-ring with spindle oil or gasoline before installing – never use engine, gear or brake oil.



4. Install the injector to the delivery pipe and intake manifold as shown in the illustration.



5. Confirm that there are no fuel leaks after performing any maintenance on the fuel system
 - (a) With engine stopped, turn the ignition switch ON.
 - (b) Using SST, connect terminals FP and +B of the DLC 1.
- SST 09843-18020



- (c) When the fuel return hose is pinched, the pressure within the high pressure line will rise to approx. 392 kPa (4 kgf/cm², 57 psi). In this state, check to see that there are no leaks from any part of the fuel system.

NOTICE: Always pinch the hose. Avoid bending the hose as it may cause the hose to crack.

- (d) Turn the ignition switch OFF.
- (e) Remove SST
SST 09843-18020

DIAGNOSIS SYSTEM

DESCRIPTION

The ECM contains a built-in self diagnosis system by which troubles with the engine signal network are detected and a malfunction indicator lamp on the combination meter lights up. By analyzing various signals as shown in the later table (See pages [EG2-176](#) and 177) the ECM detects system malfunctions relating to the sensors of actuator. The self-diagnosis system has two modes, a normal mode and a test mode.

If a malfunction is detected when in the normal mode, the ECM lights up the malfunction indicator lamp to inform the driver of the occurrence of a malfunction. (For some codes the light does not come on.) The light goes off automatically when the malfunction has been repaired. But the diagnostic trouble code(s) remains stored in the ECM memory (except for code Nos. 43, 51 and 53). The ECM stores the code(s) until it is cleared by removing the EFI fuse with the ignition switch off.

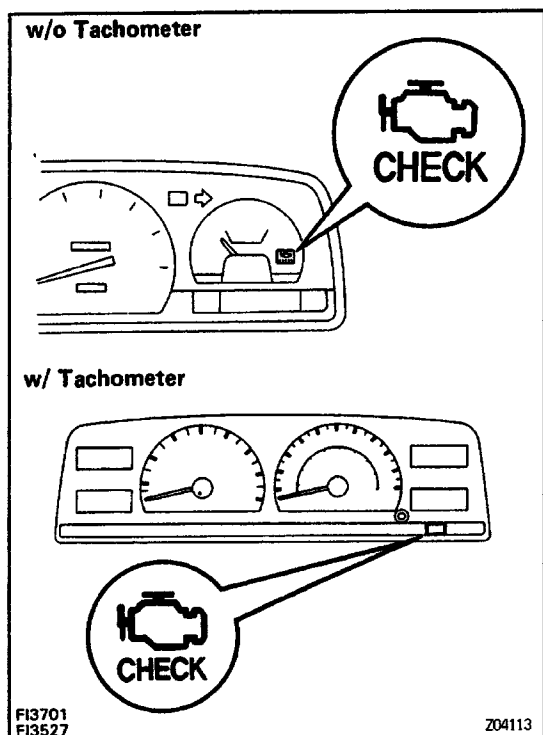
The diagnostic trouble code(s) can be read by the number of blinks of the malfunction indicator lamp when TE1 and E1 terminals on the DLC1 are connected. When 2 or more codes are indicated, the lowest number (code) will appear first.

If a malfunction is detected when in the test mode, the ECM lights up the malfunction indicator lamp to inform the technician of the occurrence of a malfunction (except for code Nos. 42, 43 and 51). In this case, TE2 and E1 terminals on the DLC1 should be connected as shown later. (See page [EG2-173](#))

In the test mode, even if the malfunction is corrected, the malfunction code is stored in the ECM memory even when the ignition switch is off (except code Nos. 42, 43, 51 and 53). This also applies in the normal mode. The diagnostic mode (normal or test) and the output of the malfunction indicator lamp can be selected by connecting the TE 1, TE2 and E 1 terminals on the DLC1, as shown later.

A test mode function has been added to the functions of the self –diagnosis system of the normal mode for the purpose of detecting malfunctions such as poor contacts, which are difficult to detect in the normal mode. This function fills up the self diagnosis system. The test mode can be implemented if technicians follow the procedure described later.

(See page [EG2-173](#)).



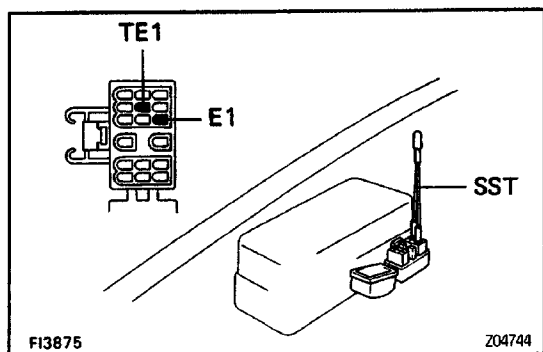
MALFUNCTION INDICATOR LAMP CHECK

1. The malfunction indicator lamp will come on when the ignition switch is placed at ON and the engine is not running.
2. When the engine is started, the malfunction indicator lamp should go off.
If the light remains on, the diagnosis system has detected a malfunction or abnormality in the system.

DIAGNOSTIC TROUBLE CODES OUTPUT (Normal mode)

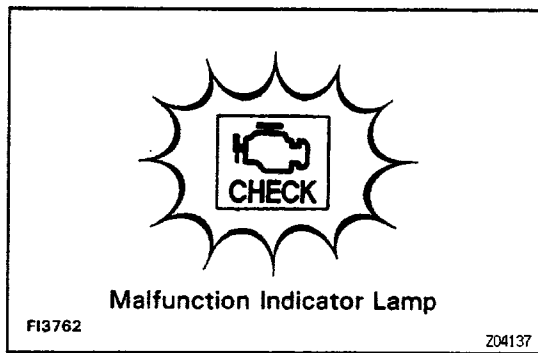
To obtain an output of diagnostic trouble codes, proceed as follows:

1. Initial conditions
 - (a) Battery voltage above 11 volts or more.
 - (b) Throttle valve fully closed (throttle position sensor IDL points closed).
 - (c) Transmission in neutral position.
 - (d) Accessories switched OFF.
 - (e) Engine at normal operating temperature.
2. Turn the ignition switch ON. Do not start the engine.

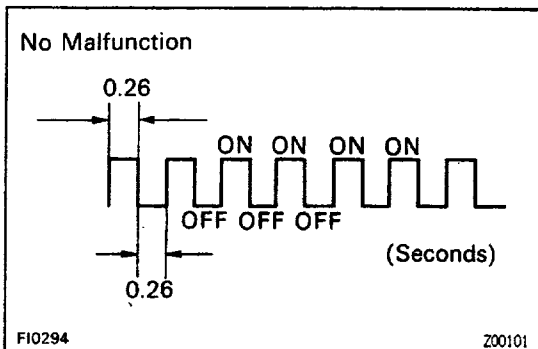


3. Using SST, connect terminals TE1 and E1 of the DLC
 1. SST 09843-18020

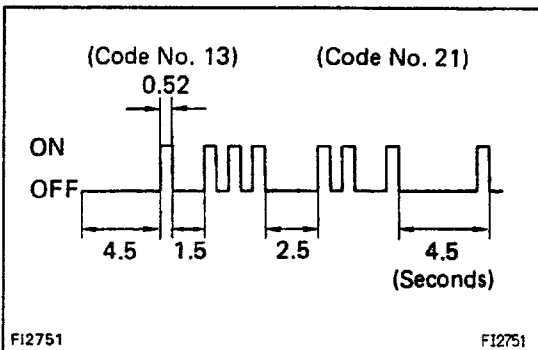
HINT: The DLC1 is located near the No.2 relay block.



4. Read the diagnostic trouble code as indicated by the number of flashes of the malfunction indicator lamp. Diagnostic trouble code (See pages [EG2-176](#) and [177](#))



- (a) Normal System Operation (no malfunction)
- The light will alternately blink ON and OFF at 0.26 seconds intervals.

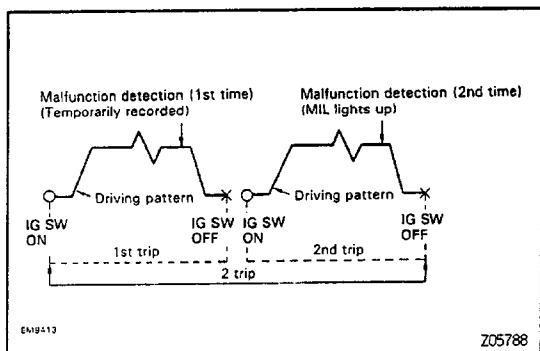


- (b) Malfunction Code Indication

- The light will blink a number of times equal to the malfunction code with pauses as follows:
 - Between the first digit and second digit, 1.5 seconds.
 - Between code and code 2.5 seconds.
 - Between all malfunction codes 4.5 seconds.

The diagnostic trouble code series will be repeated as long as the DLC1 terminals TE1 and E1 are connected.

HINT: In the event of a number of trouble codes, indication will begin from the smallest value and continue to the largest in order.



(c) (2 trip detection logic)

The diagnostic trouble codes 21, 25, 26 and 71 are used "2 trip detection logic" is used. With this logic, when a logic malfunction is first detected, the malfunction is temporarily stored in the ECM memory. If the same case is detected again during the second drive test, this second detection causes the malfunction indicator lamp to light up.

The 2 trip repeats the same mode a 2nd time.

(However, the IG SW must be turned OFF between the 1st time and 2nd time).

5. After the diagnosis check, remove SST.

SST 09843-18020

(Test mode)

HINT:

- Compared to the normal mode, the test mode has high sensing ability to detect malfunctions.
- It can also detect malfunctions in the starter signal circuit, air conditioning signal and park/neutral position switch signal.
- Furthermore, the same diagnostic items which are detected in the normal mode can also be detected in test mode.

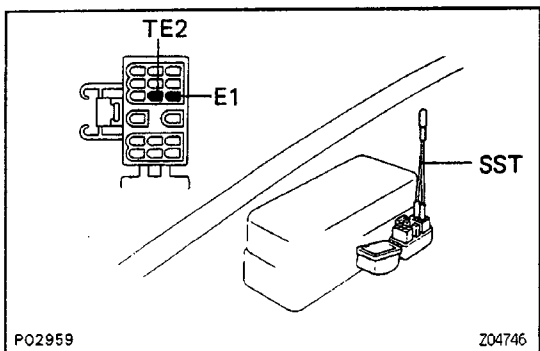
To obtain an output of diagnostic trouble codes, proceed as follows:

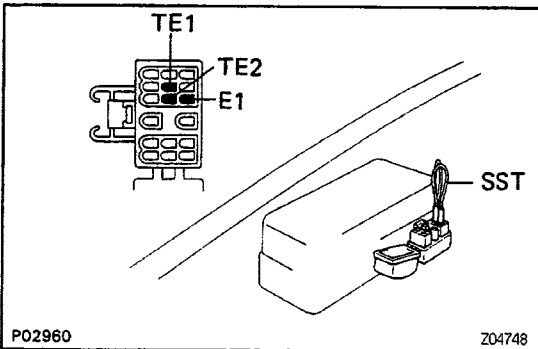
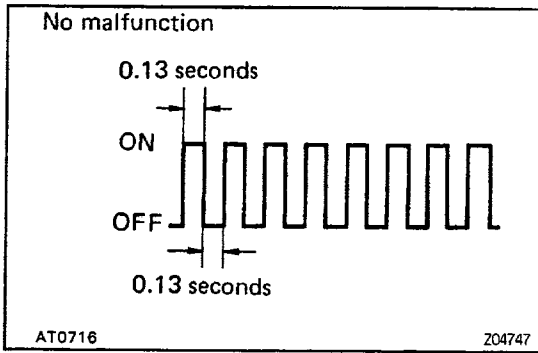
1. Initial conditions

- (a) Battery voltage 11 volts or more
- (b) Transmission in neutral position
- (c) Accessories switched OFF
- (d) Engine at normal operating temperature

2. First using SST, connect terminals TE2 and E1 of the DLC1, then turn the ignition switch on to begin the diagnosis in the test mode. :

SST 09843-18020





HINT: To confirm that the test mode is operating, check that the malfunction indicator lamp flashes when the ignition switch is turned ON.

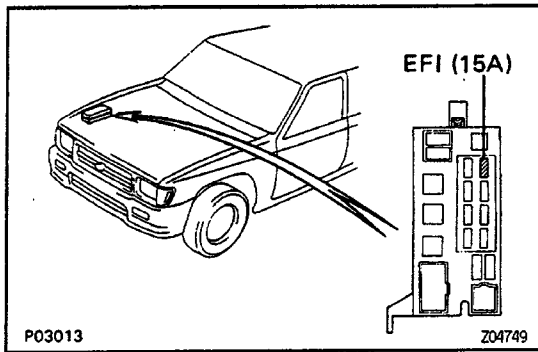
3. Start the engine and drive the vehicle at a speed of 10 km/h or higher.
4. Simulate the conditions of the malfunction described by the customer.

5. Connect terminals TE1 and E1 of the DLC1.
SST 09843-18020

6. Read the diagnostic trouble code as indicated by the number of flashes of the malfunction indicator lamp.
(See pages [EG2-176](#) and 177)
7. After the diagnosis check, remove SST.
SST 09843-18020

HINT:

- The test mode will not start if terminals TE2 and E11 are connected after the ignition switch is turned on.
- The starter signal and vehicle speed signal will be diagnosed by the ECM as malfunctions, and code Nos. 42 and 43 will be output, if the operation in step 3 is not performed.
- When the automatic transmission shift lever is in the "D", "2", "L" or "R" shift position, or when the air conditioning is on or when the accelerator pedal is depressed, code "51" (Switch condition signal) is output, but this is not abnormal.



DIAGNOSTIC TROUBLE CODE CANCELLATION

1. After repairing the trouble, the diagnostic trouble code retained in memory by the ECM must be canceled out by removing the EFI fuse (15A) for 30 seconds or more, depending on ambient temperature (the lower the temperature, the longer the fuse must be left out) with the ignition switch off.

HINT:

- Cancellation can also be done by removing the battery negative (-) terminal, but in this case other memory systems (radio ETR, clock etc.) will also be canceled out.
- If the diagnostic trouble code is not canceled out, it will be retained by the ECM and appear along with a new code in the event of future trouble.
- If it is necessary to work on engine components requiring removal of the battery terminal, a check must first be made to see if a diagnostic trouble code has been recorded.

2. After cancellation, perform road test of the vehicle to check that a normal code is now read on the malfunction indicator lamp.

If the same diagnostic trouble code appears, it indicates that the trouble area has not been repaired thoroughly.









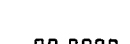
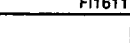
DIAGNOSIS INDICATION

1. When 2 or more codes are indicated, the lowest number (code) will appear first.
2. All detected diagnostic trouble codes, except for code No.51 and No.53 will be retained in memory by the ECM from the time of detection until canceled out.
3. Once the malfunction is cleared, the malfunction indicator lamp on the combination meter will go off but the diagnostic trouble code(s) remain stored in ECM memory (except for code Nos.16, 43, 51 and 53).

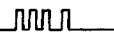









DIAGNOSTIC TROUBLE CODES

HINT:

- If a malfunction is detected during the diagnostic trouble code check, refer to the circuit indicated in the table, and turn to the corresponding page.
- Your readings may vary from the parameters listed in the table, depending on the instruments used.

Code No.	Number of blinks Malfunction Indicator Lamp	System	*1 Mal-function Indicator Lamp		Diagnosis	Trouble Area	-2 Memory	See Page
			Normal Mode	Test Mode				
-	 FI1401	Normal	-	-	Output when no other code is recorded.		-	-
12	 FI1606	RPM Signal	ON	N.A.	No G or NE signal -is input to the ECM for 2 secs. or more after STA turns 4N.	<ul style="list-style-type: none"> • Open or short in NE, G circuit • Distributor • Open or short in STA circuit • ECM 	○	EG2-193
13	 FI1607	RPM Signal	ON	ON	NE signal is not input to ECM for 0.1 sec. or more when engine speed is 1,000 rpm or more.	<ul style="list-style-type: none"> • Open or short in NE circuit • Distributor • ECM 	○	IG-16
14	 FI1608	Ignition Signal	ON	N.A.	IGF signal from igniter is not input to ECM for 6 consecutive ignition.	<ul style="list-style-type: none"> • Open or short in IGF or IGT circuit from igniter to ECM • Igniter • ECM 	○	EG2-195
16	 FI3600	A/T Control Signal	ON	N.A.	Normal signal is not output from ECM CPU.	<ul style="list-style-type: none"> • ECM 	X	-
21	 FI1609	Heated Oxygen Sensor Signal	ON	N.A.	(1) Open or short in heater circuit of heated oxygen sensor for 0.5 sec. or more. (HT) (2) At normal driving speed (below 60 mph and engine speed is above 1,500 rpm), amplitude of heated oxygen sensor signal (OX) is reduced to between 0.35 - 0.70 V continuously for 60 secs. or more. *6 (2 trip detection logic) (2)	<ul style="list-style-type: none"> • Open or short in heater circuit of heated oxygen sensor • Heated oxygen sensor heater • ECM • Open or short in heated oxygen sensor circuit • Heated oxygen sensor • ECM 	○	EG2-199
22	 FI1610	Engine Coolant Temp. Sensor Signal	ON	ON	Open or short in engine coolant temp. sensor circuit for 0.5 sec. or more. (THW)	<ul style="list-style-type: none"> • Open or short in engine coolant temp. sensor circuit • Engine coolant temp. sensor • ECM 	○	EG2-192
24	 FI1611	Intake Air Temp. Sensor Signal	*3 ON	ON	Open or short in intake air temp. sensor circuit for 0.5 sec. or more. (THA)	<ul style="list-style-type: none"> • Open or short in intake air temp. circuit • Intake air temp. sensor • ECM 	○	EG2-190
25	 FI2562	Air-Fuel Ratio Lean Mal-function	ON	ON	(1) Heated oxygen sensor output is less than 0.45 V for at least 90 secs. when heated oxygen sensor is warmed up (racing at 2,000 rpm) and drive at 50 - 100 km/h *4 (2) When the engine speed varies by more than 15 rpm over the preceding crankshaft position period during a period of 50 seconds during idling with the engine coolant temp. 75°C (167°F) or more. *6 (2 trip detection logic) (1) and (2)	<ul style="list-style-type: none"> • Engine ground bolt loose • Open in E1 circuit • Open in injector circuit • Fuel line pressure (Injector blockage, etc.) • Open or short in heated oxygen sensor circuit • Heated oxygen sensor • Ignition system • Engine coolant temp. sensor • Volume air flow meter (Air intake) • ECM 	○	EG2-197 EG2-199
26	 FI2563	Air-Fuel Ratio Rich Mal-function	ON	ON	(1) Heated oxygen sensor output is less than 0.45 V for at least 90 secs. when heated oxygen sensor is warmed up (racing at 2,000 rpm) and drive at 50 - 100 km/h *4 (2) When the engine speed varies by more than 15 rpm over the preceding crankshaft position period during a period of 50 seconds during idling with the engine coolant temp. 75°C (167°F) or more. *6 (2 trip detection logic) (1) and (2)	<ul style="list-style-type: none"> • Engine ground bolt loose • Open in E1 circuit • Short in injector circuit • Fuel line pressure (Injector leakage, etc.) • Open or short in cold start injector circuit • Cold start injector • Open or short in heated oxygen sensor circuit • Heated oxygen sensor • Engine coolant temp. sensor • Volume air flow meter • Compression pressure • ECM 	○	EG2-197 EG2-199

DIAGNOSTIC TROUBLE CODES (Cont'd)

Code No.	Number of blinks Malfunction Indicator Lamp	System	Malfunction Indicator Lamp		Diagnosis	Trouble Area	*2 Memory	See Page
			Normal Mode	Test Mode				
31	 F11612	Volume Air Flow Meter Signal	ON	ON	At idling, open or short detected continuously for 0.5 sec. or more in volume air flow meter circuit. • Open - VC • Short - VC - E2	• open or short in volume air flow meter circuit	○	EG2-190
32	 F11613	Volume Air Flow Meter Signal	ON	ON	Open or short detected continuously for 0.5 sec. or more in volume air flow meter circuit. • Open - E2 • short - VS - VC	• Volume air flow meter • ECM	○	EG2-190
35	 F13048	BARO Sensor Signal (only C&C)	ON	ON	Open or short detected in BARO sensor circuit for 0.5 sec. or more.	• ECM	○	-
41	 F11614	Throttle Position Sensor Signal	*3 ON	ON	Open or short detected in throttle position sensor signal (VTA) for 0.5 sec. or more. IDL contact is ON and VTA output exceeds 1.45 V.	• Open or short in throttle position sensor circuit • Throttle position sensor • ECM	○	EG2-188
42	 F11615	Vehicle Speed Sensor Signal	ON	OFF	SPD signal is not input to the ECM for at least 8 seconds during high load driving with engine speed between 2,750 rpm and 4,000 rpm.	• Open or short in vehicle speed sensor circuit • Vehicle speed sensor • ECM	○	-
43	 F11616	Starter Signal	N.A.	OFF	Starter signal (STA) is not input to ECM even once until engine reaches 800 rpm or more when cranking.	• Open or short in starter signal circuit • Open or short in IG SW or main relay circuit • ECM	X	EG2-193
52	 F11618	Knock Sensor Signal	ON	N.A.	With engine speed between 1,600 rpm - 5,200 rpm, signal from knock sensor is not input to ECM for 6 revolution. (KNK)	• Open or short in knock sensor circuit • Knock sensor (looseness, etc) • ECM	○	-
53	 F11619	Knock Control signal	ON	N.A.	Engine speed is between 650 rpm and 5,200 rpm and engine control module (for knock control) malfunction is detected.	• ECM	X	-
*5 71	 F12622	EGR System Malfunction	ON	ON	With the engine coolant temp. at 60°C (140°F) or more, 240 seconds from start of EGR operation. The EGR gas temp. is less than 55°C (131°F) and the EGR gas temp. has risen less than 20°C (36°C) during the 240 seconds. *6 (2 trip detection logic)	• Open in EGR gas temp. sensor circuit • Open in VSV circuit for EGR • EGR vacuum hose disconnected, valve stuck • Clogged in EGR gas passage • ECM	○	EG2-251
51	 F11617	Switch Condition Signal	N.A.	OFF	Displayed when A/C is ON, IDL contact OFF or shift position in "R", "D", "2", or "L" positions with the DLC1 terminals E1 and TE1 connected.	• A/C switch circuit • Throttle position sensor 1 D L circuit • Park/Neutral position switch circuit • Accelerator pedal, cable • ECM	X	EG2-188

REMARKS

*1: "ON" displayed in the diagnosis mode column indicates that the malfunction indicator lamp is lighted up when a malfunction is detected. "OFF" indicates that the "CHECK" does not light up during malfunction diagnosis, even if a malfunction is detected. "N.A." indicates that the item is not included in malfunction diagnosis.

*2: "O" in the memory column indicates that a diagnostic trouble code is recorded in the ECM memory when a malfunction occurs. "X" indicates that a diagnostic trouble code is not recorded in the ECM memory even if a malfunction occurs. Accordingly, output of diagnostic results is performed with the IG SW ON.

*3: The malfunction indicator lamp comes on if malfunction occurs only for California specifications,

*4: No. (2) in the diagnostic contents of codes No.25 and 26 apply to California and C&C specification vehicles only, while (1) applies to all models.

*5: Code 71 is used only for California specifications and C&C.

*6: "2 trip detection logic" (See page EG2-173.)

*7: Except for California 2WD.

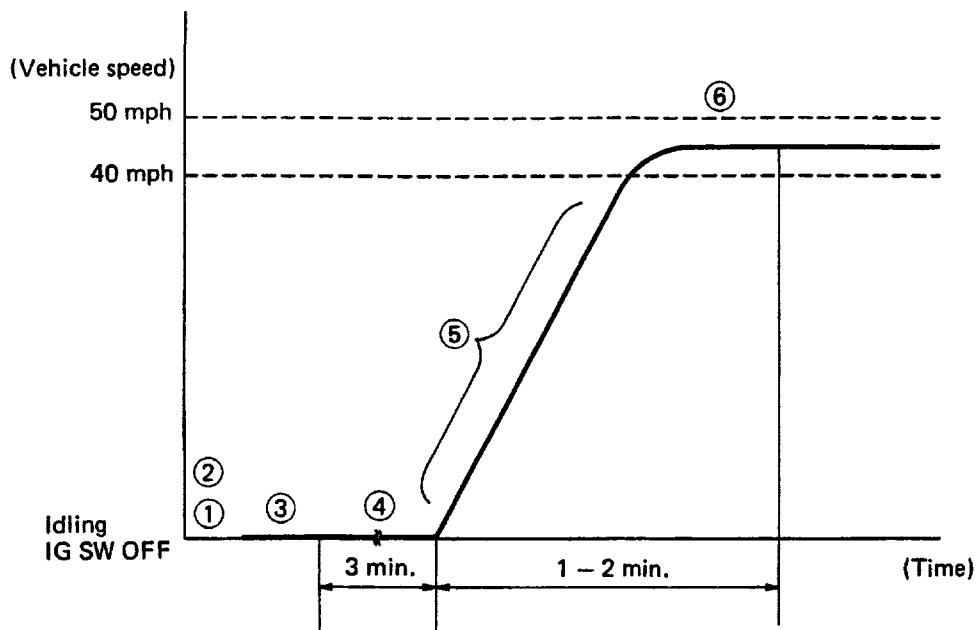
DIAGNOSTIC TROUBLE CODE DETECTION DRIVING PATTERN

Purpose of the driving pattern.

- To simulate diagnostic trouble code detecting condition after diagnostic trouble code is recorded.
- To check that the malfunction is corrected when the repair is completed confirming that diagnostic trouble code is no longer detected.

DTC 12 Heated Oxygen Sensor Circuit

Malfunction: Heated Oxygen Sensor Deterioration



P02547

- Disconnect the fuse EFI (1.5 A) for 10 sec. or more, with iG switch OFF.
- Initiate test mode (Connect terminal TE2 and E 1 of DLC 1) with IG switch OFF.
- Start the engine and warm the engine up with all ACC switch OFF.
- After the engine is warmed up, let it idle for 3 min.
- Accelerate gradually and maintain at approximately 1,500 rpm, or within the 1,300 to 1,700 rpm range. Turn the A/C on, and drive in "D" for A/T, or in case of M/T, upshift appropriately shift carefully so that the engine speed would not fall below 1,200 rpm. depress the accelerator pedal gradually and maintain a steady speed to avoid engine braking.
- Maintain the vehicle speed at 40 – 50 mph.
Keep the vehicle running for 1 – 2 min. after starting acceleration.

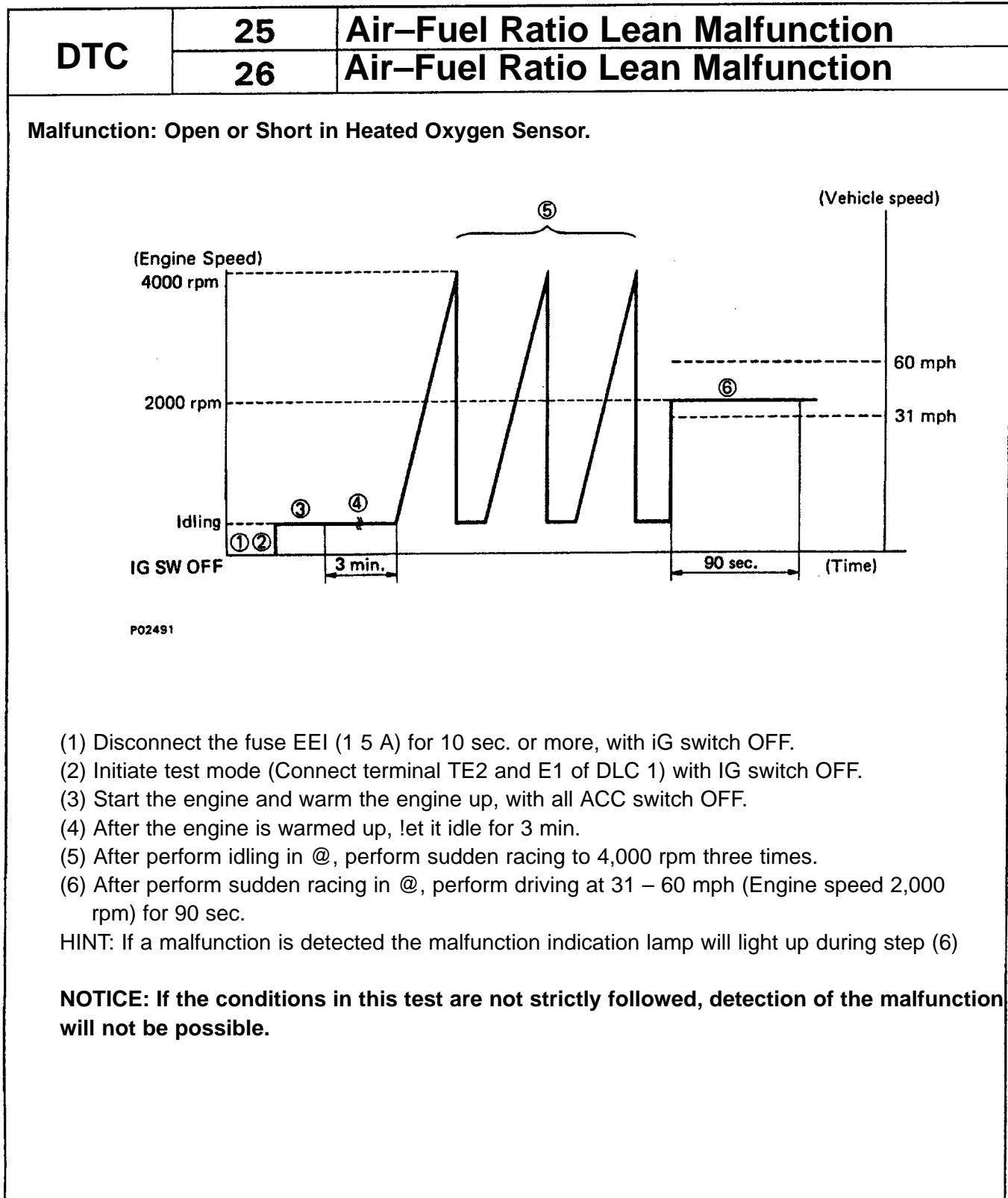
HINT: If a malfunction is detected the malfunction indication lamp will light up during step(6) .

NOTICE: If the conditions in this test are not strictly followed, detection of the malfunction will not be possible.

DIAGNOSTIC TROUBLE CODE DETECTION DRIVING PATTERN (Cont'd)

Purpose of the driving pattern.

- To simulate diagnostic trouble code detecting condition after diagnostic trouble code is recorded.
- To check that the malfunction is corrected when the repair is completed confirming that diagnostic trouble code is no longer detected.



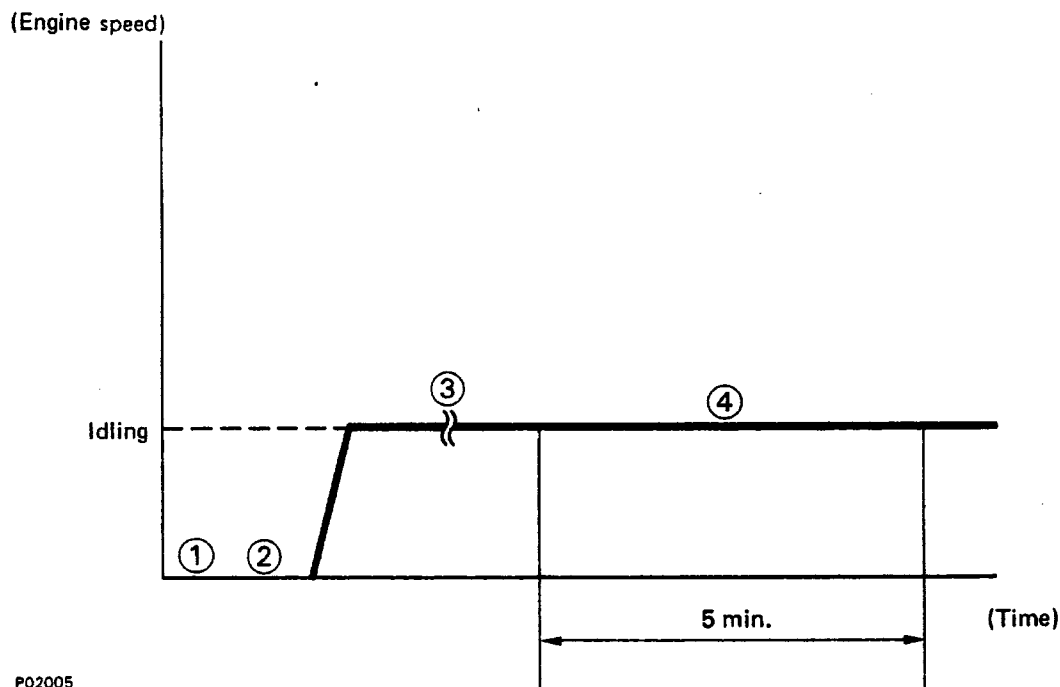
DIAGNOSTIC TROUBLE CODE DETECTION DRIVING PATTERN (Cont'd)

Purpose of the driving pattern.

- (a) To simulate diagnostic trouble code detecting condition after diagnostic trouble code is recorded.
- (b) To check that the malfunction is corrected when the repair is completed confirming that diagnostic trouble code is no longer detected.

DTC	25	Air-Fuel Ratio Lean Malfunction(CALIFORNIA,C&C)
	26	Air-Fuel Ratio Rich Malfunction(CALIFORNIA,C&C)

Malfunction: Open or Short in Injector Leak, Blockage



HINT: When start this test, engine coolant temp. is 40°C (104°F) or less.

Before this test, check the feedback voltage for heated oxygen sensor.

- (1) Disconnect the fuse EFI (15 A) for 10 sec. or more, with IG switch OFF.
- (2) Initiate test mode (Connect terminal TE2 and E11 of DLC 1) with IG switch OFF.
- (3) Start the engine and warm the engine up, with all ACC switch OFF.
- (4) After the engine is warmed up, let it idle for 5 min. '

HINT: If a malfunction is detected the malfunction indicator lamp will light up during step(4).

NOTICE: If the conditions in this test are not strictly followed, detection of the malfunction will not be possible.

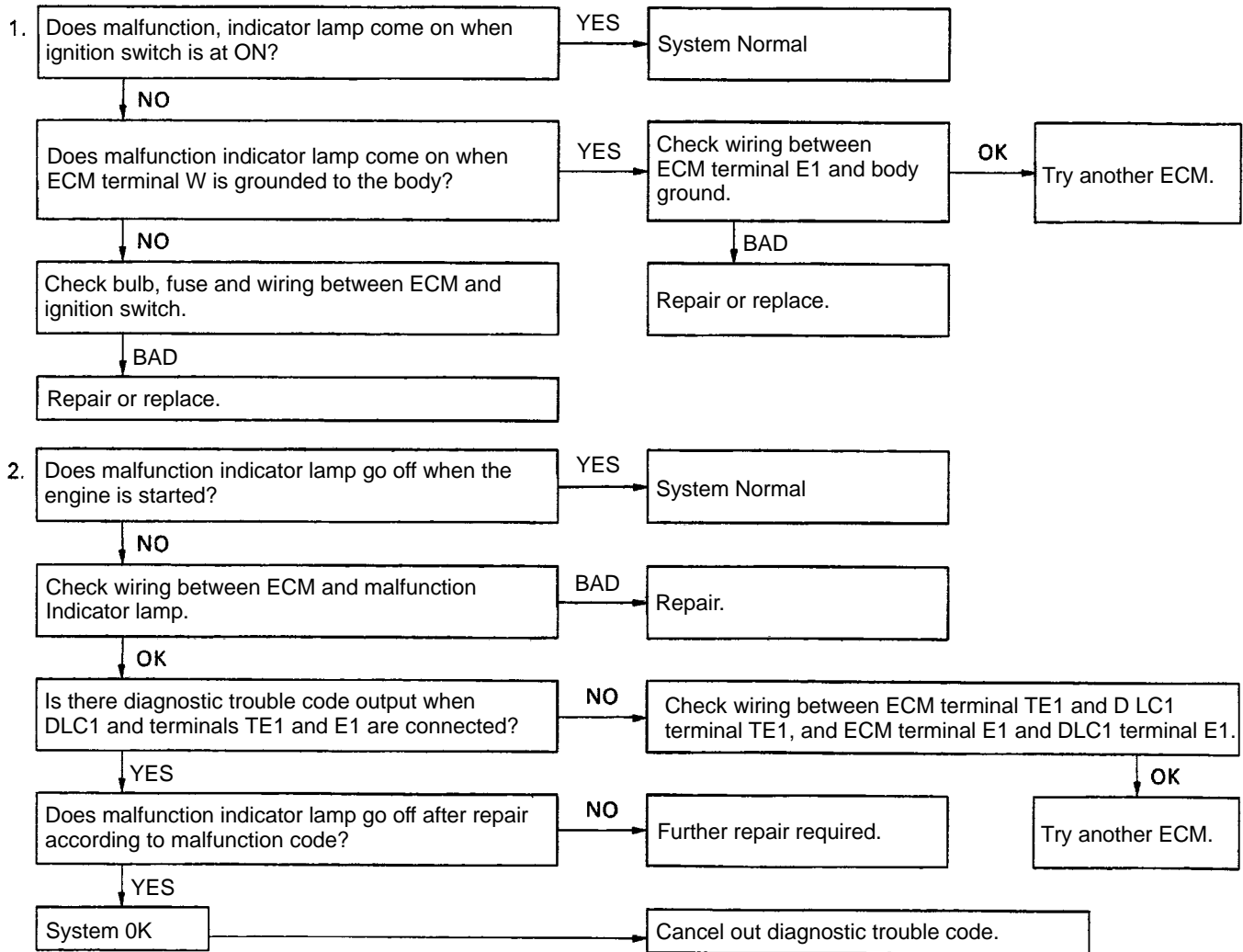
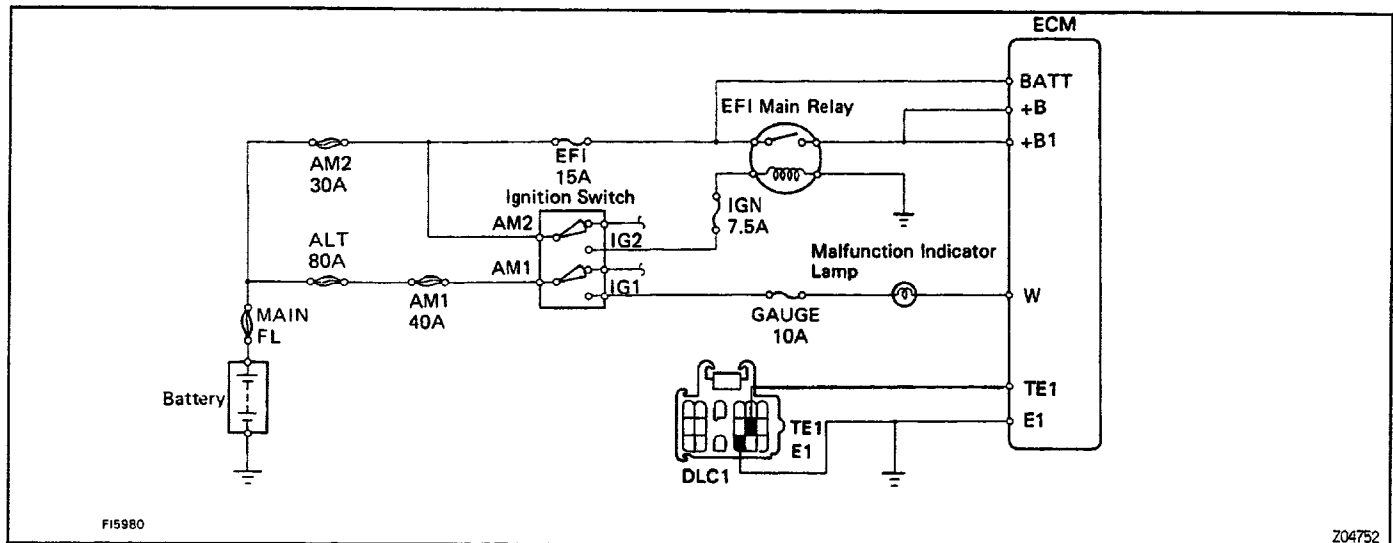
DIAGNOSTIC TROUBLE CODE DETECTION DRIVING PATTERN (Cont'd)

Purpose of the driving pattern.

- (a) To simulate diagnostic trouble code detecting condition after diagnostic trouble code is recorded.
- (b) To check that the malfunction is corrected when the repair is completed confirming that diagnostic trouble code is no longer detected.

DTC	71	EGR System Malfunction
<p>Malfunction: Short in VSV Circuit for EGR, Loose EGR Hose- Valve Stuck</p>		
<div style="text-align: center;"> </div> <p>P02545</p>		
<p>HINT: When start this test, engine coolant temp. is 40•C (104•F) or less.</p> <ol style="list-style-type: none"> (1) Disconnect the fuse EFI (15 A) for 10 sec. or more, with IG switch OFF. (2) Initiate test mode (Connect terminal TE2 and E 1 of DLC 1) with IG switch OFF. (3) Start the engine and warm the engine up with all ACC switch OFF. (4) With the transmission in 4th gear ("D" position and O/D ON for A/T), drive 55 – 65 mph for 4 min. <p>HINT: If a malfunction is detected the malfunction indication lamp will light up during step (4) .</p> <p>NOTICE: If the conditions in this test are not strictly followed, detection of the malfunction will not be possible.</p>		

DIAGNOSIS CIRCUIT INSPECTION



TROUBLESHOOTING WITH VOLT OHMMETER

HINT: Because the following troubleshooting procedures are designed for inspection of each separate system, the actual troubleshooting procedure may vary somewhat.

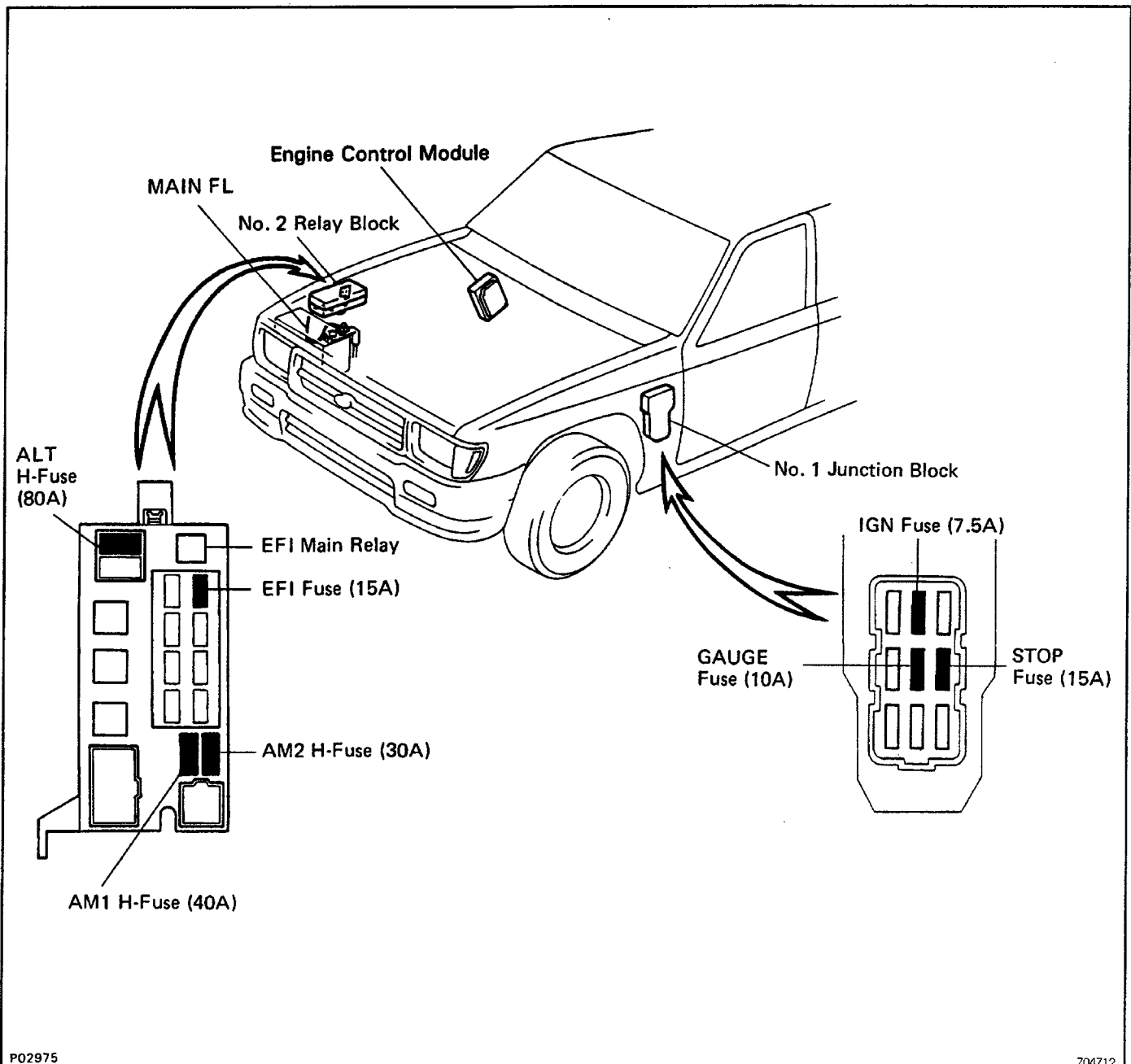
However, please refer to these procedures and perform actual troubleshooting, conforming to the inspection methods described.

For example, it is better to first make a simple check of the fuses, fusible links and connecting condition of the connectors before making your inspection according to the procedures listed.

The following troubleshooting procedures are based on the supposition that the trouble lies in either a short or open circuit in a component outside the -computer or a short circuit within the computer. If engine trouble occurs even though proper operating voltage is detected in the computer connector, then the engine control module is faulty and should be replaced.

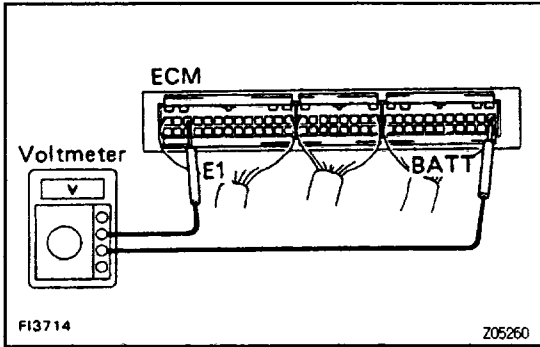
FUSES AND FUSIBLE LINK LOCATION

EG10H-02



MFI SYSTEM CHECK PROCEDURE

8810J-02



HINT:

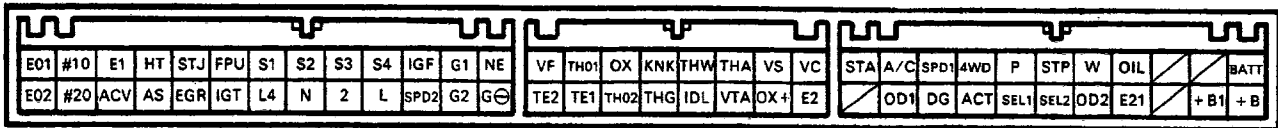
- Perform all voltage measurements with the connectors connected.
- Verify that the battery voltage is 11 V or more when the ignition switch is in "ON" position. Using a voltmeter with high impedance (110 kΩ/V minimum), measure the voltage at each terminal of the wiring connectors.

8810K-03

Engine Control Module (ECM) Terminals

Symbol	Terminal Name	Symbol	Terminal Name	Symbol	Terminal Name
NE	DISTRIBUTOR	VC	VOLUME AIR FLOW METER	BATT	BATTERY B+
G⊖	DISTRIBUTOR	E2	SENSOR GROUND	+ B	EFI MAIN RELAY
G1	DISTRIBUTOR	VS	VOLUME AIR FLOW METER		-
G2	DISTRIBUTOR	⁵ OX+	HEATED OXYGEN SENSOR	+ B1	EFI MAIN RELAY
IGF	IGNITER	THA	INTAKE AIR TEMP. SENSOR		-
*1 SPD2	VEHICLE SPEED SENSOR	VTA	THROTTLE POSITION SENSOR		-
*2 S4	TCM SOLENOID	.THW	ENGINE COOLANT TEMP. SENSOR	*1 OIL	A/T OIL TEMP. WARNING LIGHT
*1 L	PARK/NEUTRAL POSITION SWITCH	IDL	THROTTLE POSITION SENSOR	E21	SENSOR GROUND
*1 S3	TCM SOLENOID	KNK	KNOCK SENSOR	W	MALFUNCTION INDICATOR LAMP
*1 2	PARK/NEUTRAL POSITION SWITCH	*3 THG	EGR GAS TEMP. SENSOR	*1 OD2	O/D MAIN SWITCH
*1 S2	TCM SOLENOID	OX	HEATED OXYGEN SENSOR	STP	STOP LIGHT SWITCH
*1 N	PARK/NEUTRAL POSITION SWITCH	*2 TH02	T/F FLUID TEMP. SENSOR	SEL2	-
*1 S1	TCM SOLENOID	² TH01	4WD OIL TEMP. SENSOR	*1 P	PATTERN SELECT SWITCH
*2 L4	TRANSFER POSITION SWITCH	TE1	D LC1	SEL1	-
FPU	VSV (for EG R)	VF	D LC 1	*4 4WD	4WD SWITCH
IGT	IGNITER	TE2	DLC1	ACT	A/C AMPLIFIER
STJ	COLD START INJECTOR		-	SPD1	VEHICLE SPEED SENSOR
EGR	VSV (for EG R)		-	*1 DG	DLC1
HT	HEATED OXYGEN SENSOR		-	A/C	A/C MAGNET SWITCH
AS	VSV (for PAIR)		-	*1 OD1	CRUISE CONTROL ECU
E1	ENGINE GROUND		-	STA	STARTER SWITCH
ACV	VSV (for A/C)		-		-
#10	INJECTOR		-		-
#20	INJECTOR		-		-
E01	ENGINE GROUND		-		-
E02	ENGINE GROUND		-		-

*1: A/T only *2: 4WD A/T only *3: California only *3: California and C & C *4: 4WD only *5: California 2WD only
Engine Control Module (ECM) Terminals

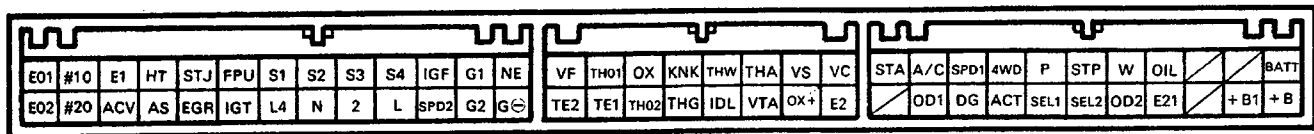


FI2796

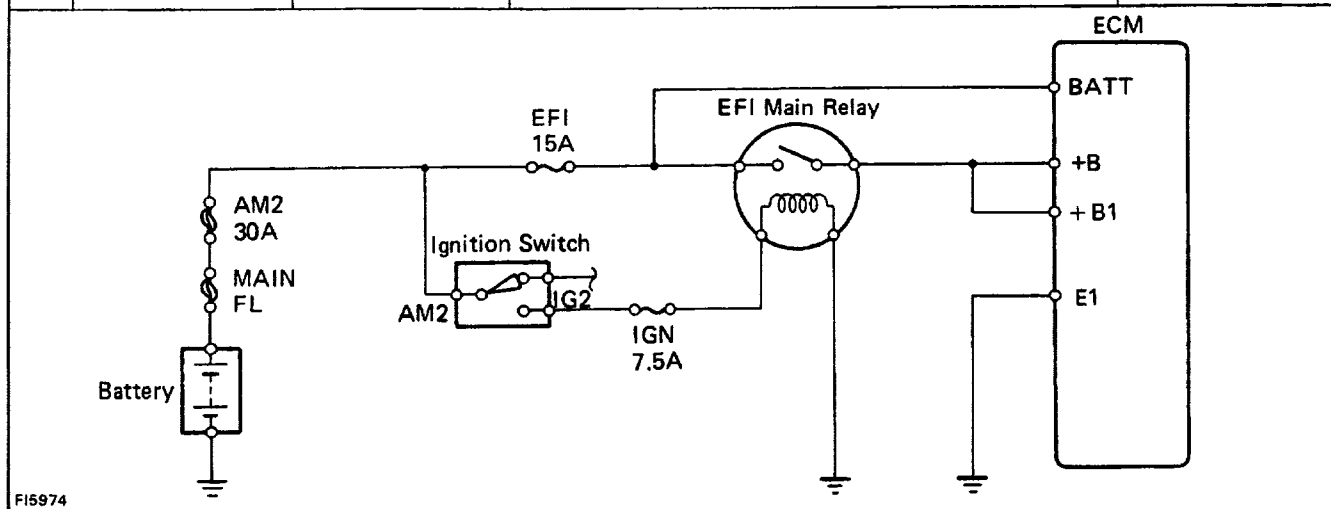
Engine Control Module (ECM) Wiring Connectors Voltage

No.	Terminals	Condition		STD voltage	See page
1	BATT - E1	-		9 - 14	EG2-186
	+ B - E1	Ignition SW ON			
	+ B1 - E2				
2	IDL - E2 (E21)	Ignition SW ON	Throttle valve open	9 - 14	EG2-188
	VC - E2 (E21)		-	4.5 - 5.5	
	VTA - E2 (E21)		Throttle valve fully closed (Throttle opener must be cancelled first)	0.3 - 0.8	
			Throttle valve fully open	3.2 - 4.9	
3	VC - E2 (E21)	Ignition SW ON	-	4.5 - 5.5	EG2-190
	VS - E2 (E21)		Measuring plate fully closed	4.0 - 5.5	
			Measuring plate fully open	0.2 - 0.5	
	VS - E2 (E21)	Idling	2.3 - 2.8		
		3,000 rpm	0.3 - 1.0		
THA - E2 (E21)	Ignition SW ON	Intake air temperature 20°C (68°F)	0.5 - 3.4		
4	THW - E2 (E21)	Ignition SW ON	Engine coolant temperature 80°C (176°F)	0.2 - 1.0	EG2-192
5	STA - E1	Cranking		6 V or more	EG2-193
6	#10 - E01 #20 - E02	Ignition SW ON		9 - 14	EG2-194
7	IGT - E1	Idling		Pulse generation	EG2-195
8	W - E1	No trouble (malfunction indicator lamp off) and engine running		9 - 14	EG2-196
9	STJ - E1	Cranking	Engine coolant temperature 80°C (176°F)	6 V or more	EG2-197
10	STP - E1	Stop light switch ON		7.5 - 14	EG2-198

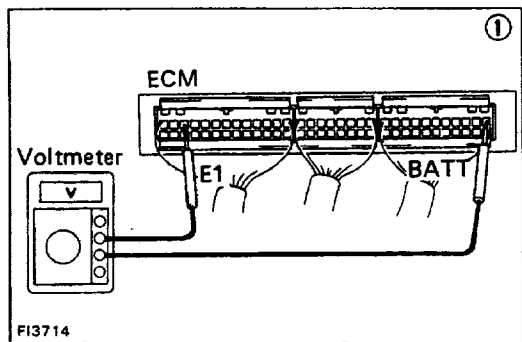
Engine Control Module (ECM) Terminals



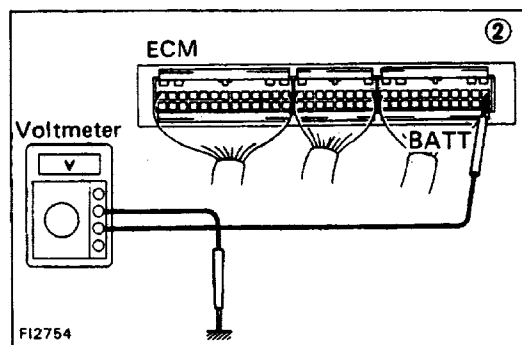
No.	Terminals	Trouble	Condition	STD Voltage
1	BATT - E1	No voltage	Ignition switch 4N	9 - 14 V
	+ B - E1			
	+ B1 - E1			



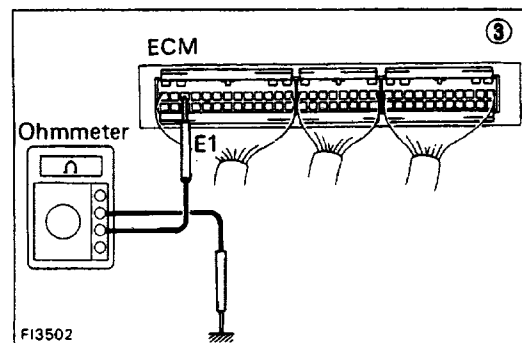
FI5974



FI3714

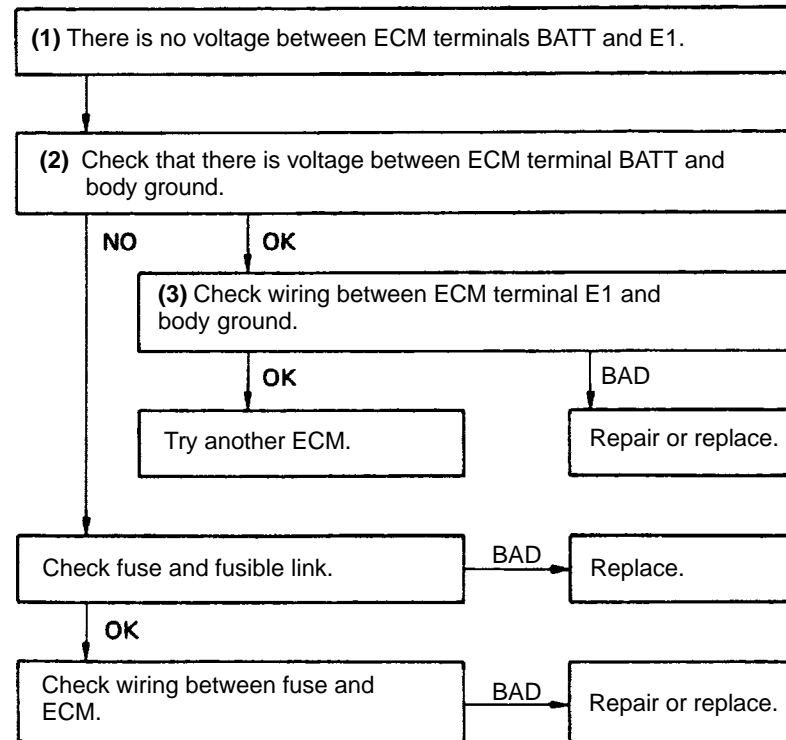


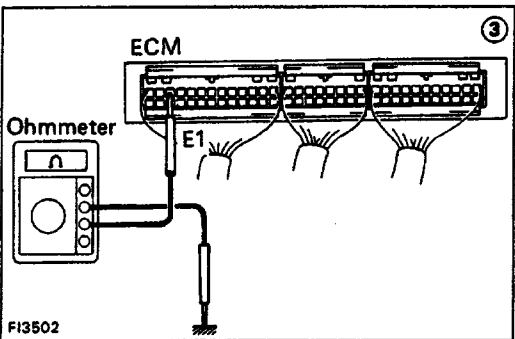
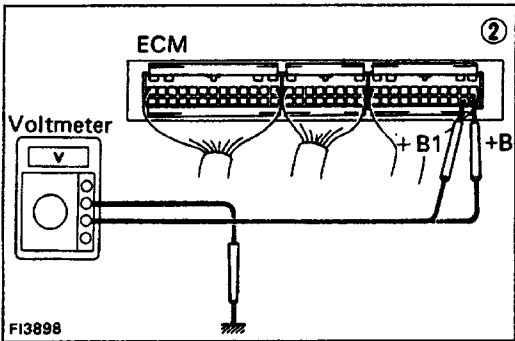
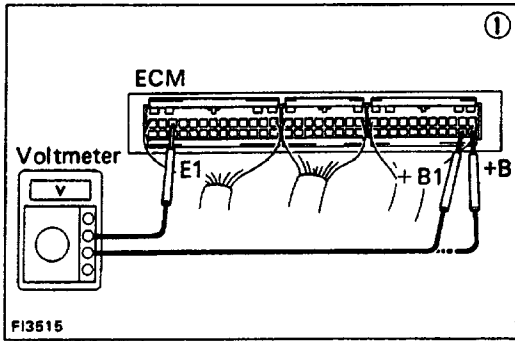
FI2754



FI3502

• BATT- E1





• +B (+B1) -E1

(1) There is no voltage between ECM terminals + B (+ B1) and E1. (IG SW ON) .

(2) Check that there is voltage between ECM terminal + B (+ B1) and body ground. (IG SW ON)

NO OK

(3) Check wiring between ECM terminal E1 and body ground.

OK

SAD

Try another ECM.

Repair or replace.

Check fuse, fusible link and ignition switch.

BAD

Repair or replace.

OK

Check EF 1 main relay.

BAD

Replace.

OK

Check wiring between E F I main relay and battery.

BAD

Repair or replace.

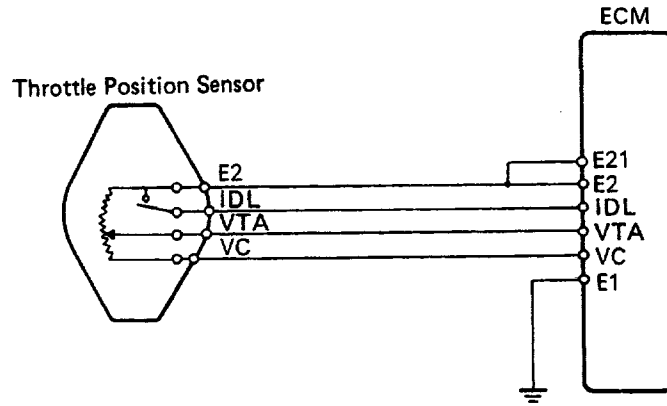
OK

Check wiring between EFI main relay and ECM terminal + B (+B1).

BAD

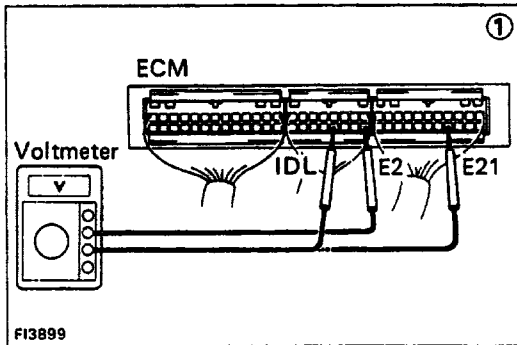
Repair or replace.

No.	Terminals	Trouble	Condition	STD Voltage	
2	IDL - E2 (E21)	No voltage	Ignition switch O N	Throttle valve open	9 - 14 V
	VC - E2 (E21)			-	4.5 - 5.5 V
	VTA - E2 (E21)			Throttle valve fully closed (Throttle opener must be cancelled first)	0.3 - 0.8 V
				Throttle valve fully open	3.2 - 4.9 V

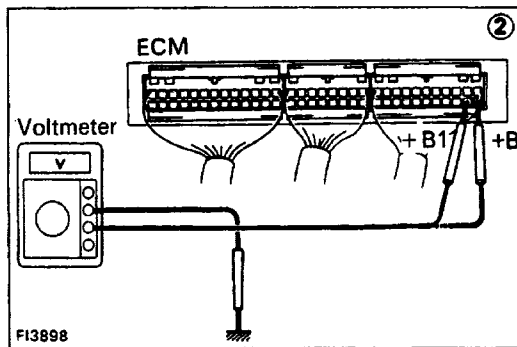


F13877

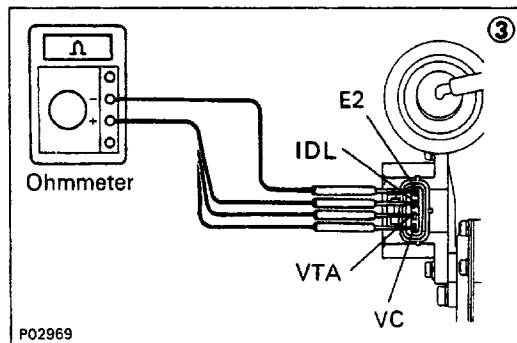
• IDL - E2 (E21)



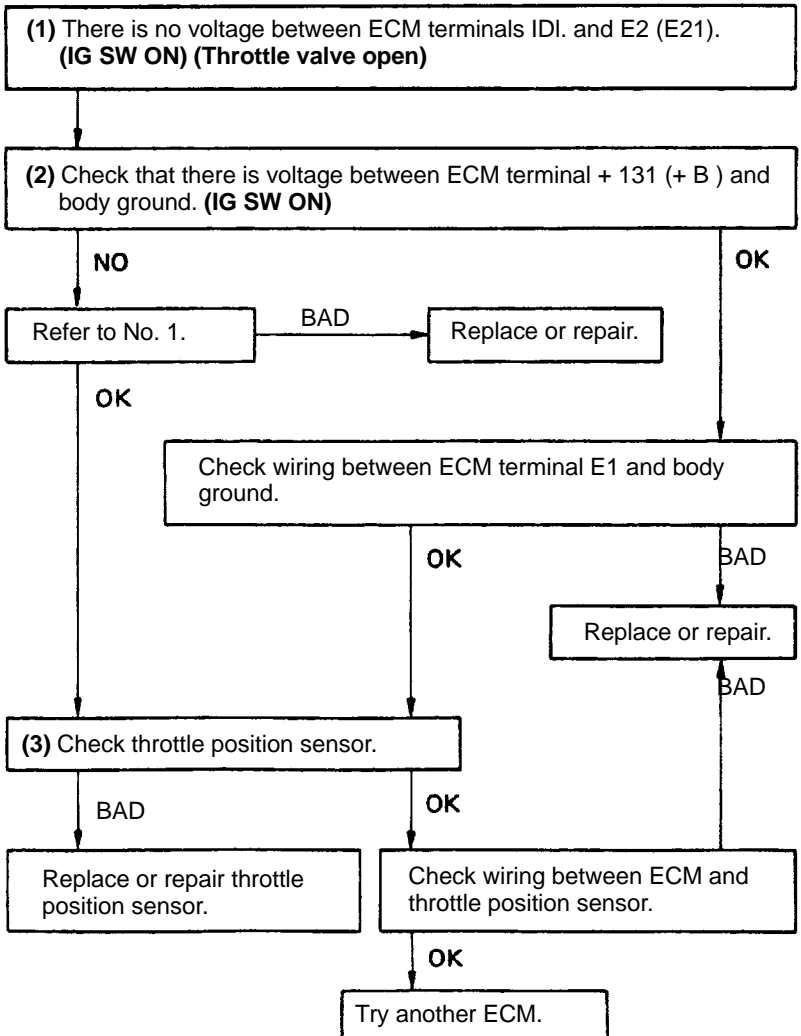
F13899

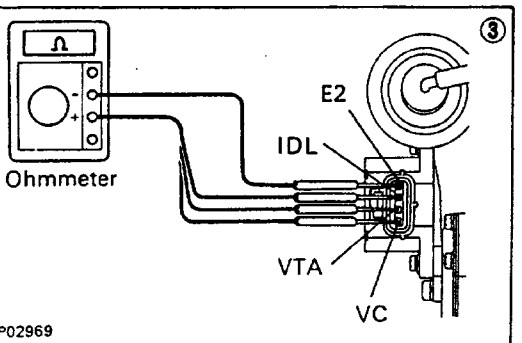
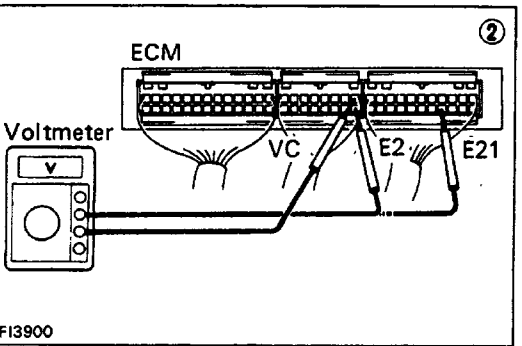
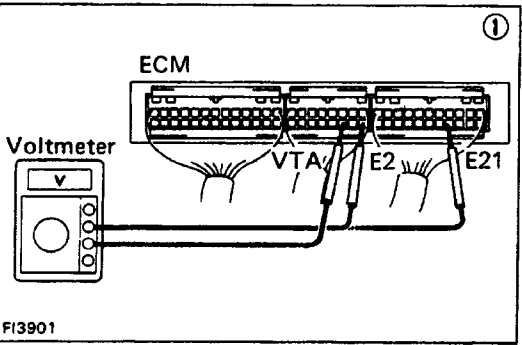
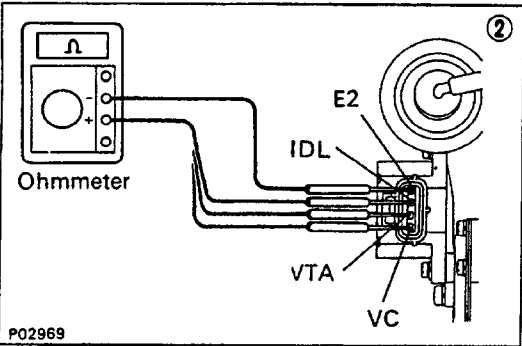
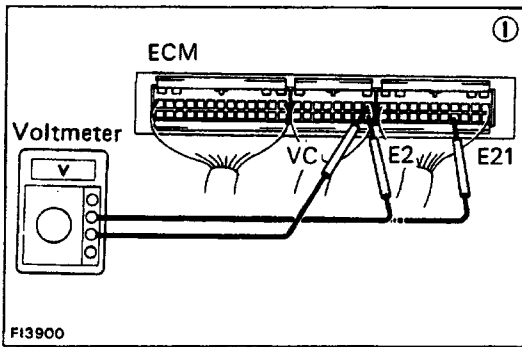


F13898

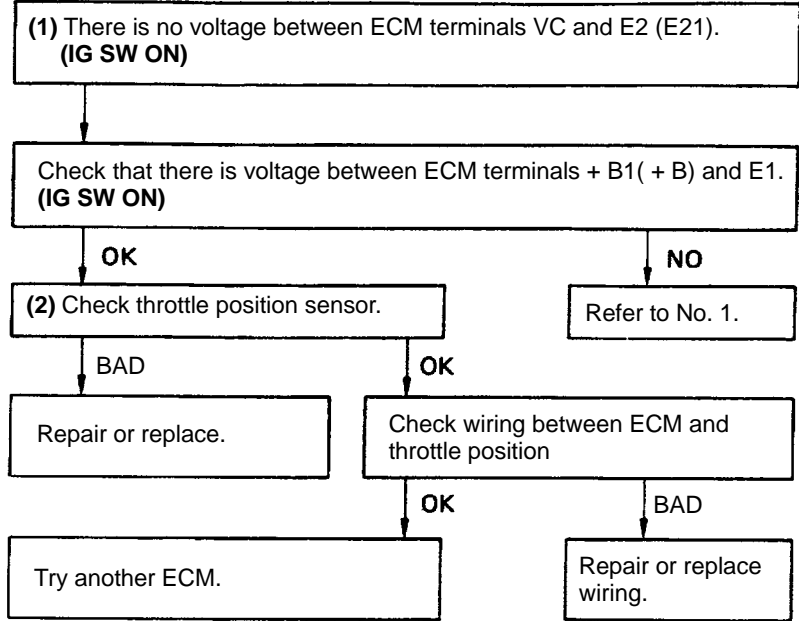


P02969

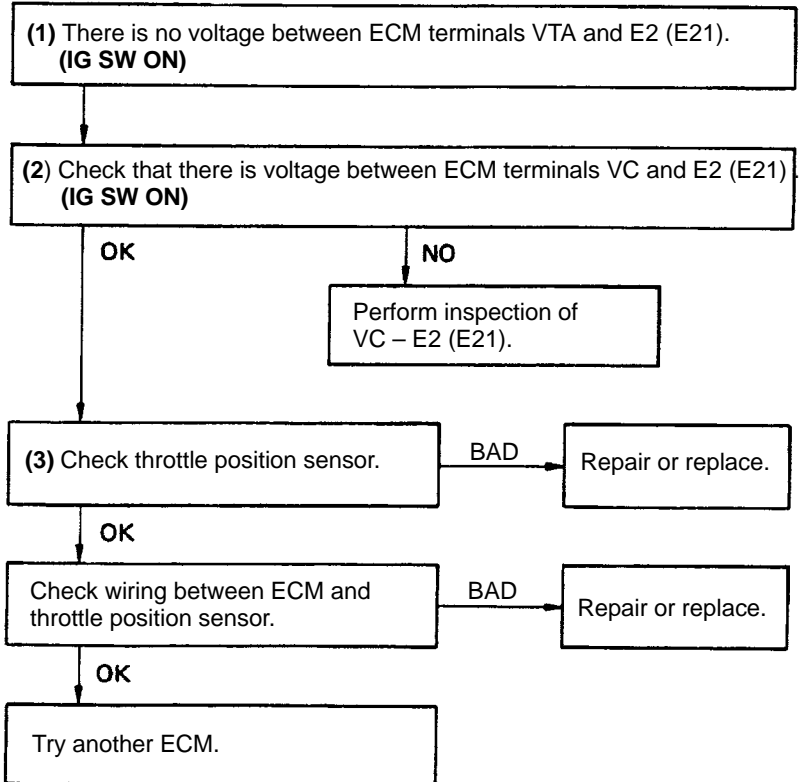




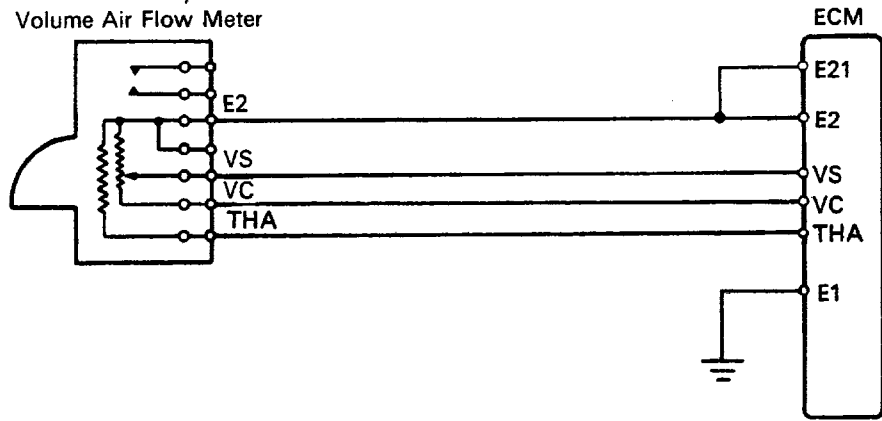
• VC - E2 (E21)



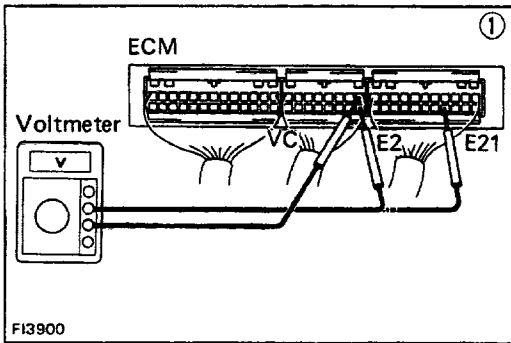
• VTA - E2 (E21)



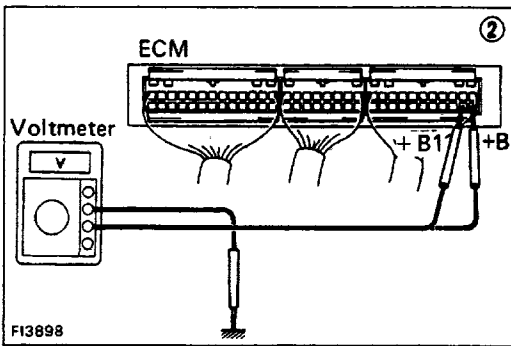
No.	Terminals	Trouble	Condition	STD Voltage	
3	VC - E2 (E21)	No voltage	Ignition SW ON	-	4.5 - 5.5 V
	VS - E2 (E21)			Measuring plate fully dosed	4.0 - 5.5 V
				Measuring plate fully open	0.2 - 0.5 V
	THA - E2 (E21)		Idling	2.3 - 2.8 V	
				IG SW ON	Intake air temperature 20°C (68°F)



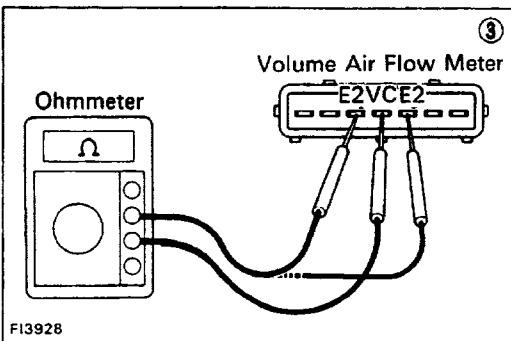
F16069



F13900



F13898



F13928

• VC - E2 (E21)

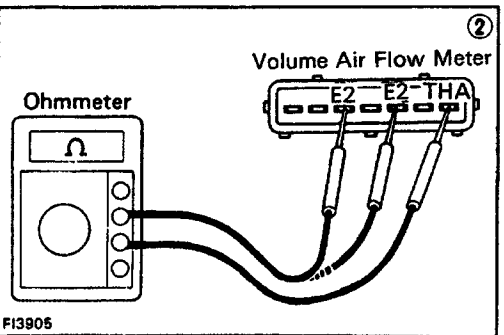
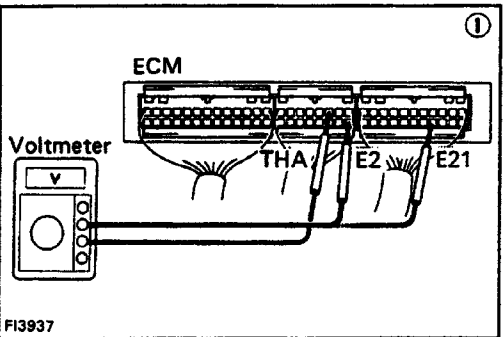
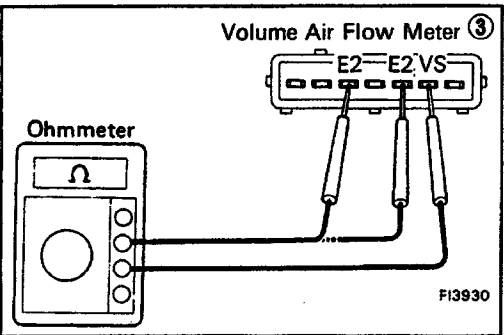
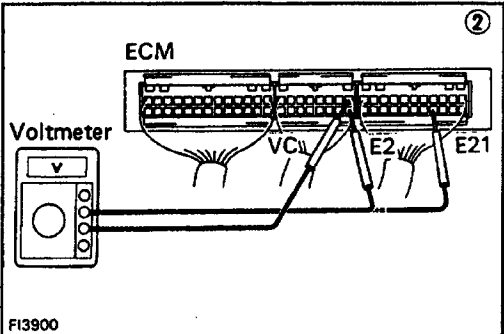
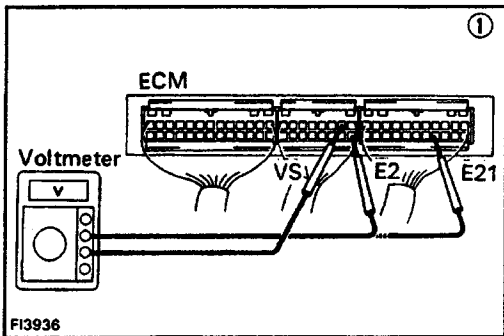
(1) There is no voltage between ECM terminals VC and E2 (E21). (IG SW ON)

(2) Check that there is voltage between ECM terminal + B (+ 131) and body ground. (IG SW ON)

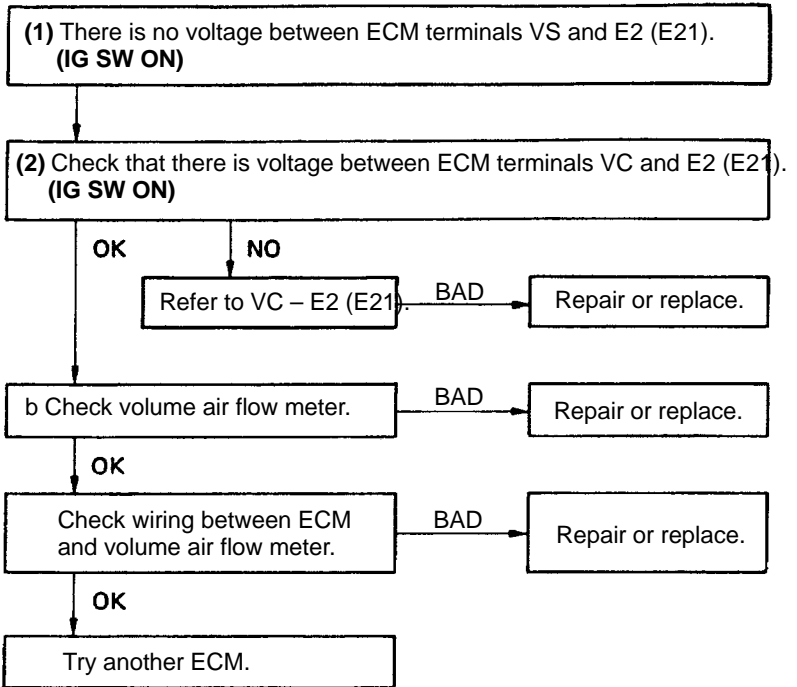
OK → (3) Check volume air flow meter.
 NO → Refer to No. 1.

BAD → Replace or repair volume air flow meter.
 OK → Check wiring between ECM and volume air flow meter.

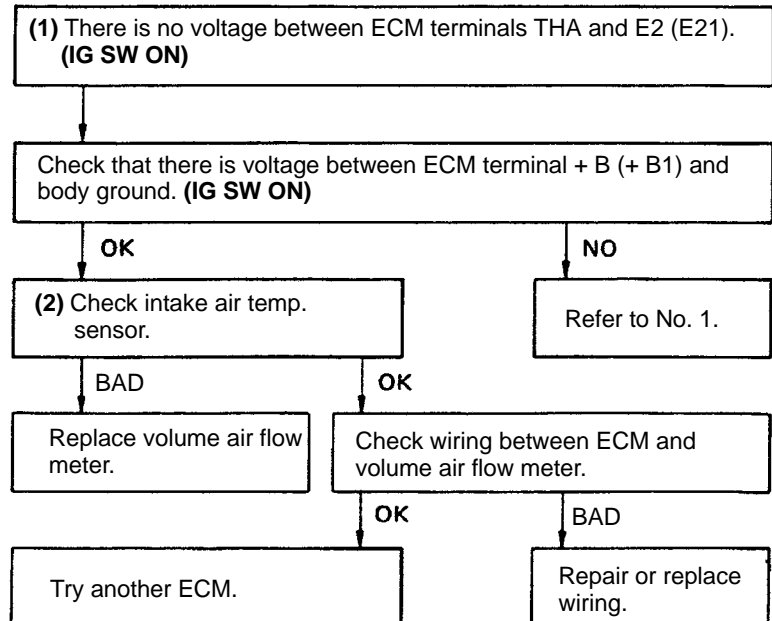
OK → Try another ECM.
 BAD → Replace or repair wiring.



• VS - E2 (E21)

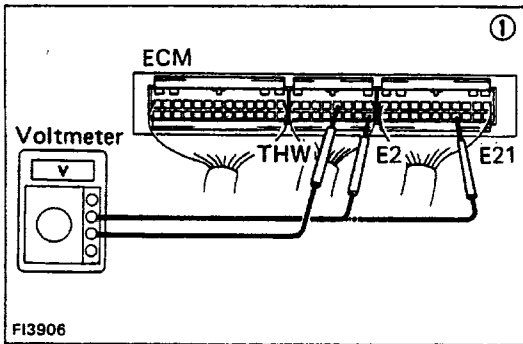


• THA - E2 (E21)



No.	Terminals	Trouble	Condition		STD Voltage
4	THW - E2 (E21)	No voltage	Ignition switch ON	Engine coolant temperature 80°C (176°F)	0.2 - 1.0 V

FI5971



FI3906

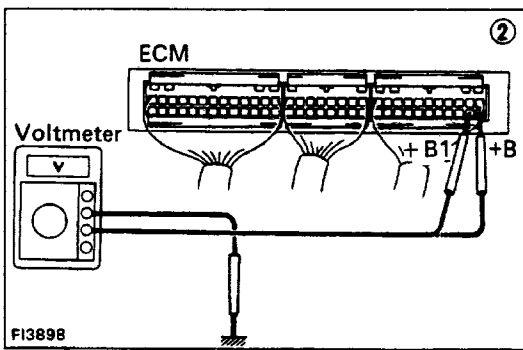
(1) There is no voltage between ECM terminals THW and E2 (E21). (IG SW ON)

(2) Check that there is voltage between ECM terminal +B (+ B1) and body ground. (IG SW ON)

OK

NO

Refer to No. 1.



FI3898

Check wiring between ECM terminal E1 and body ground.

OK

BAD

(3) Check engine coolant temp. sensor.

BAD

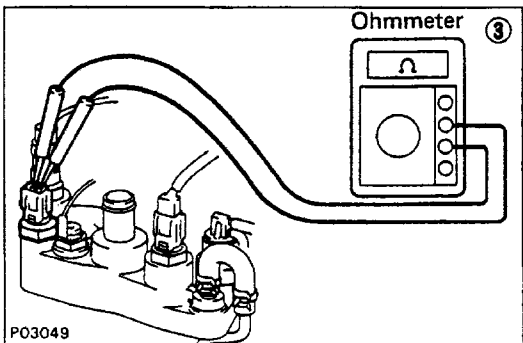
OK

Replace engine coolant temp. sensor.

Check wiring between ECM and engine coolant temp. sensor.

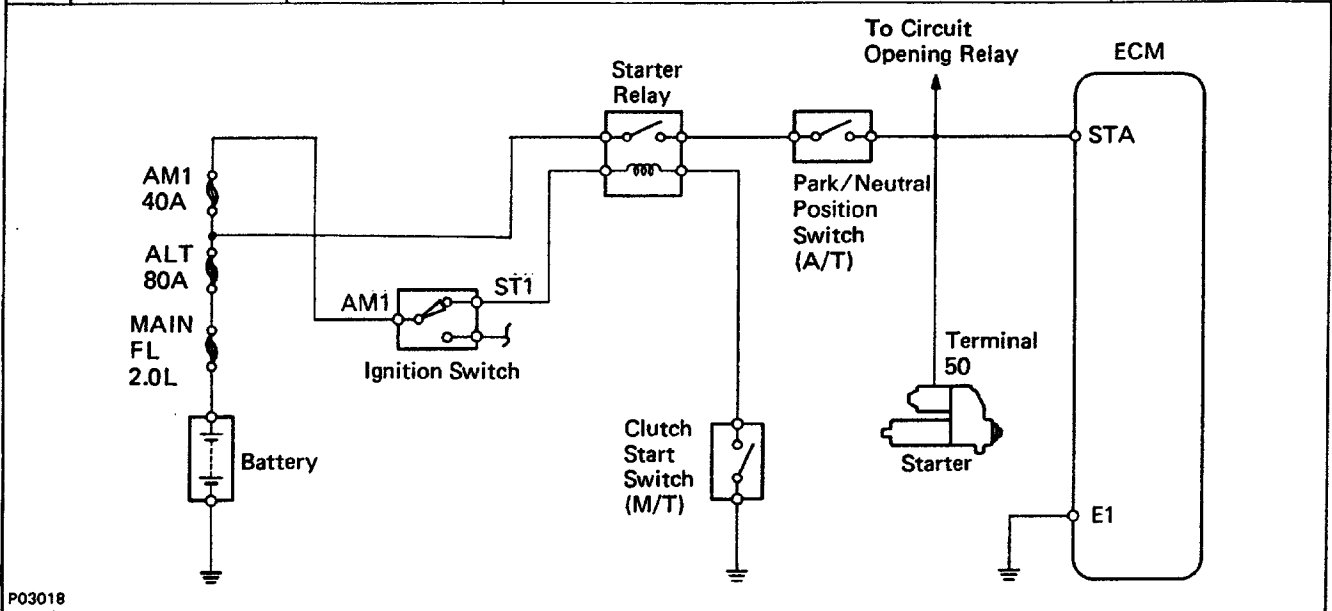
Try another ECM.

Repair or replace.

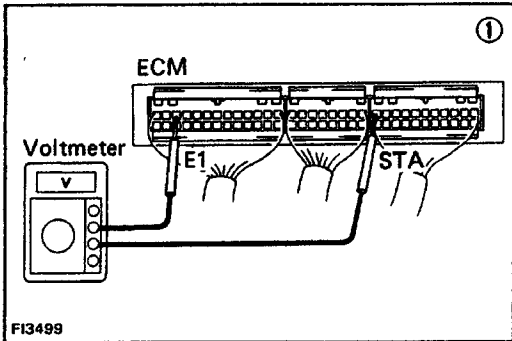


P03049

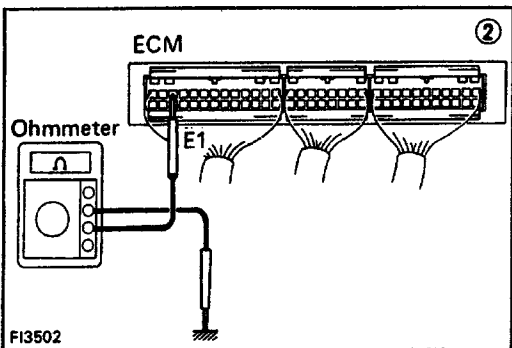
No.	Terminals	Trouble	Condition	STD Voltage
5	STA - E1	No voltage	Cranking	6 V or more



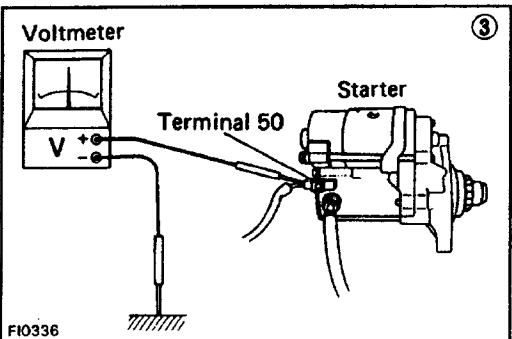
P03018



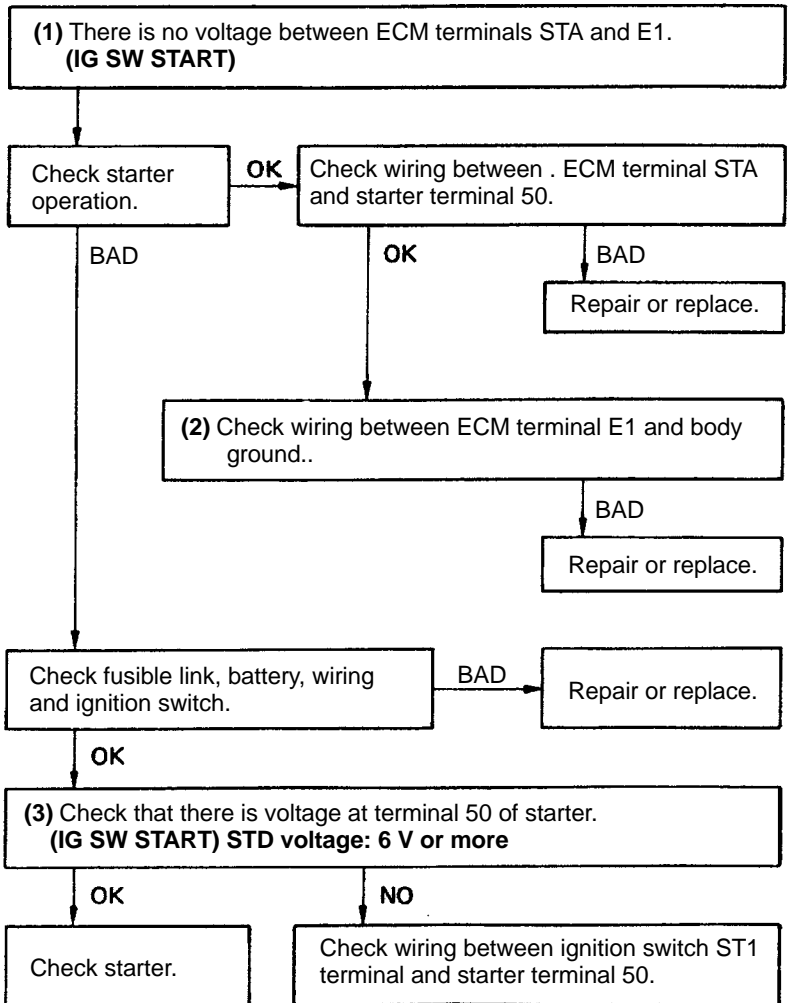
FI3499



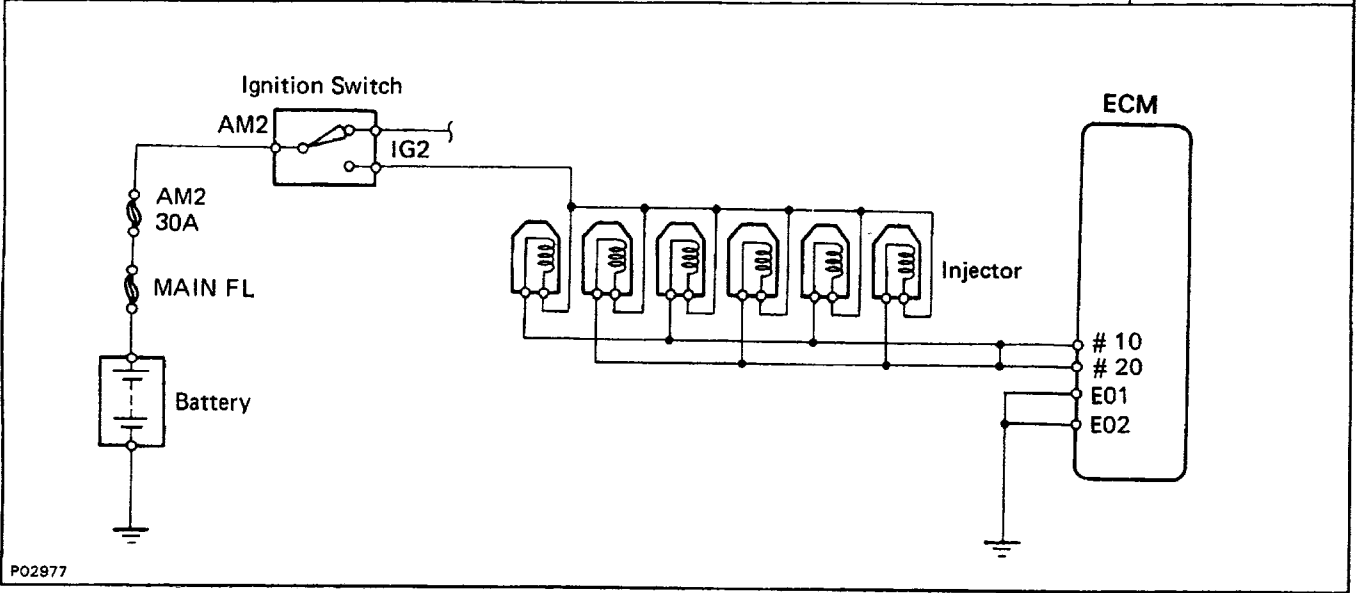
FI3502



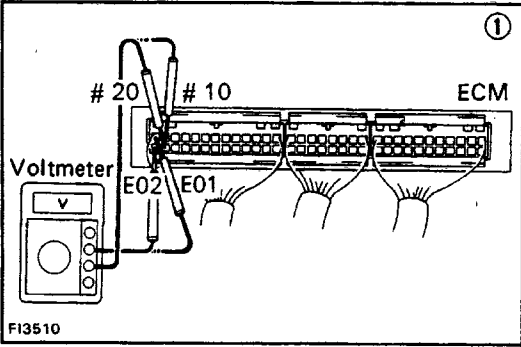
FI0336



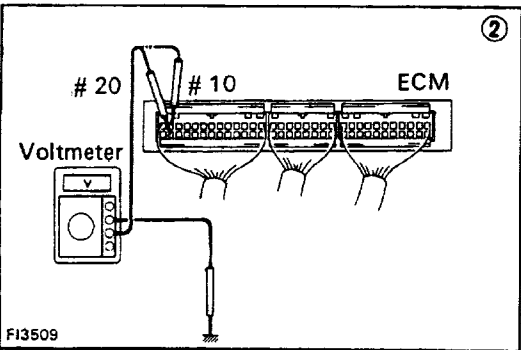
No.	Terminals	Trouble	Condition	STD Voltage
6	# 10 - E01 # 20 - E02	No voltage	Ignition switch ON	9 - 14 V



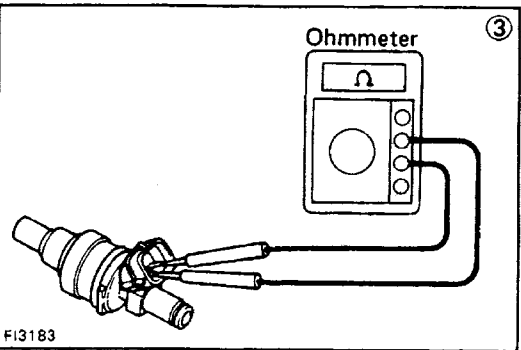
PO2877



FI3510



FI3509

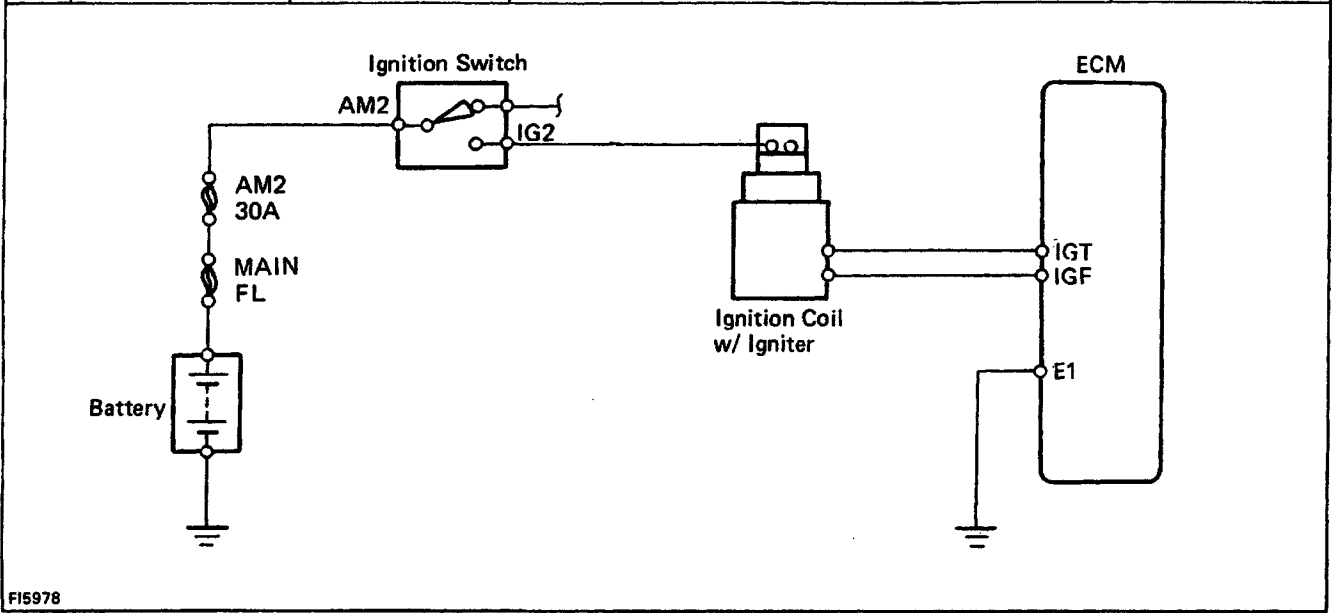


FI3183

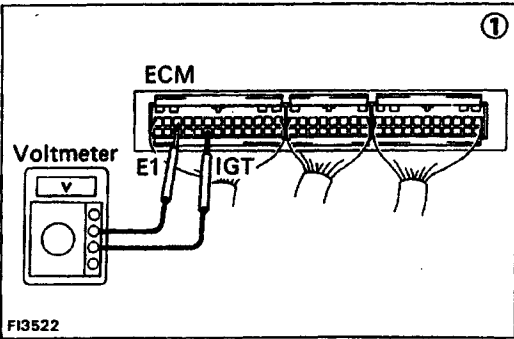
```

    graph TD
      A["(1) There is no voltage between ECM terminals # 10 and/or # 20 and E01 and/or E02. (IG SW ON)"] --> B["(2) Check that there is voltage between ECM terminal # 10 and/or # 20 and body ground,"]
      B -- NO --> C["Check fusible link and ignition switch."]
      B -- OK --> D["Check wiring between ECM terminal E01 and/or E02 and body ground."]
      D -- OK --> E["Try another ECM."]
      D -- BAD --> F["Repair or replace."]
      C -- BAD --> F
      C -- OK --> G["Check resistance of magnetic coil in each injector. STD resistance: 13.4 - 14.2 Ω"]
      G -- NO --> H["Replace injector."]
      G -- OK --> I["Check wiring between ECM terminal # 10 and/or # 20 and battery."]
      I -- BAD --> F
      I -- OK --> END[" "]
  
```

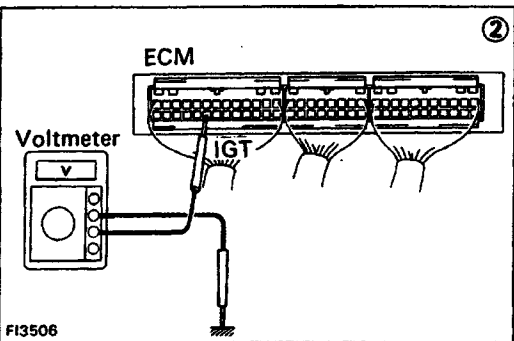
No.	Terminals	Trouble	Condition	STD Voltage
7	IGT - E1	No voltage	Idling	Pulse generation



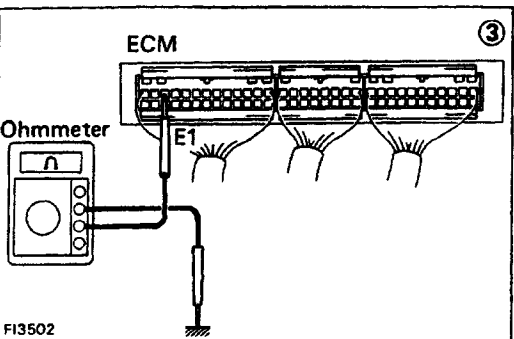
FI5978



FI3522



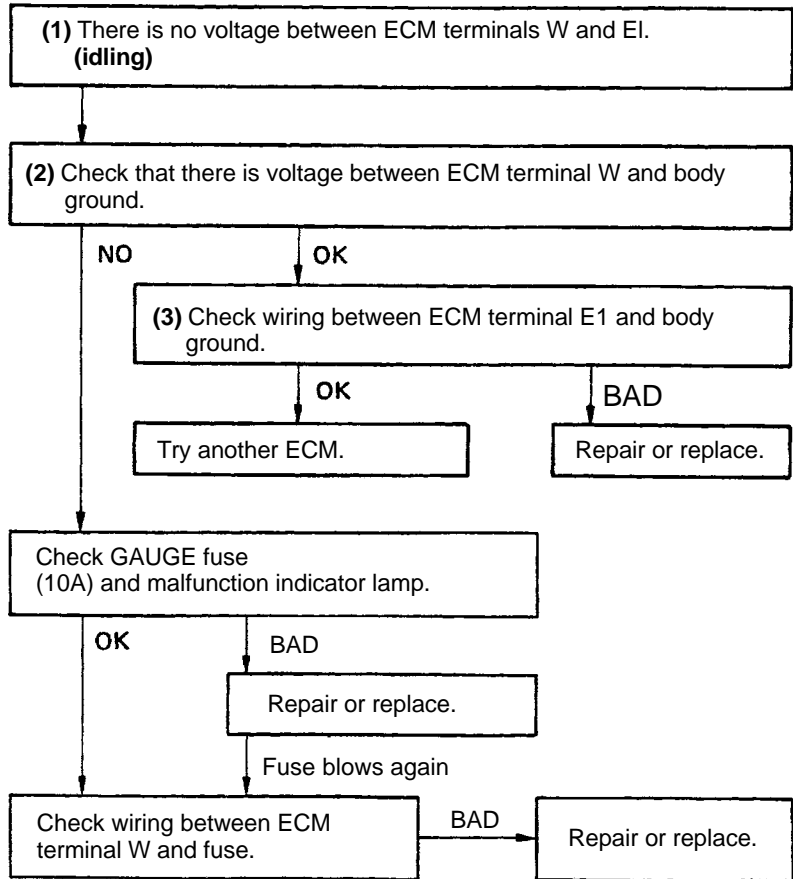
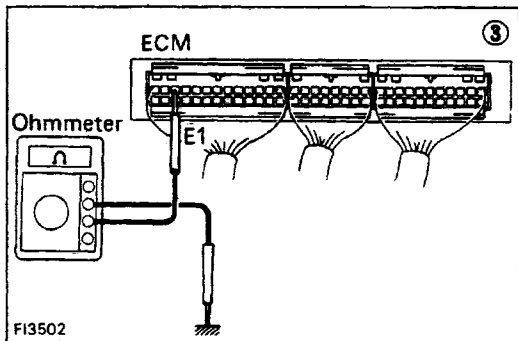
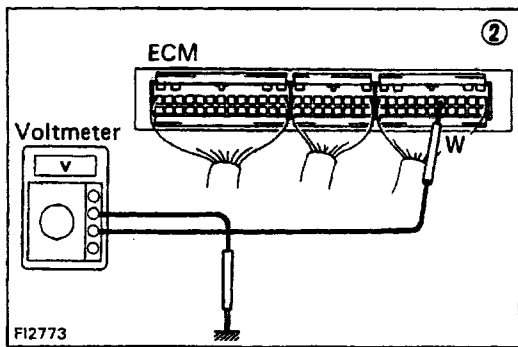
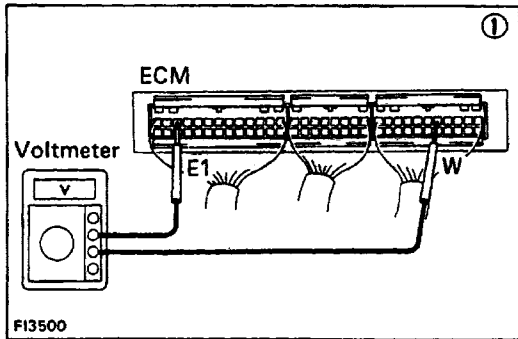
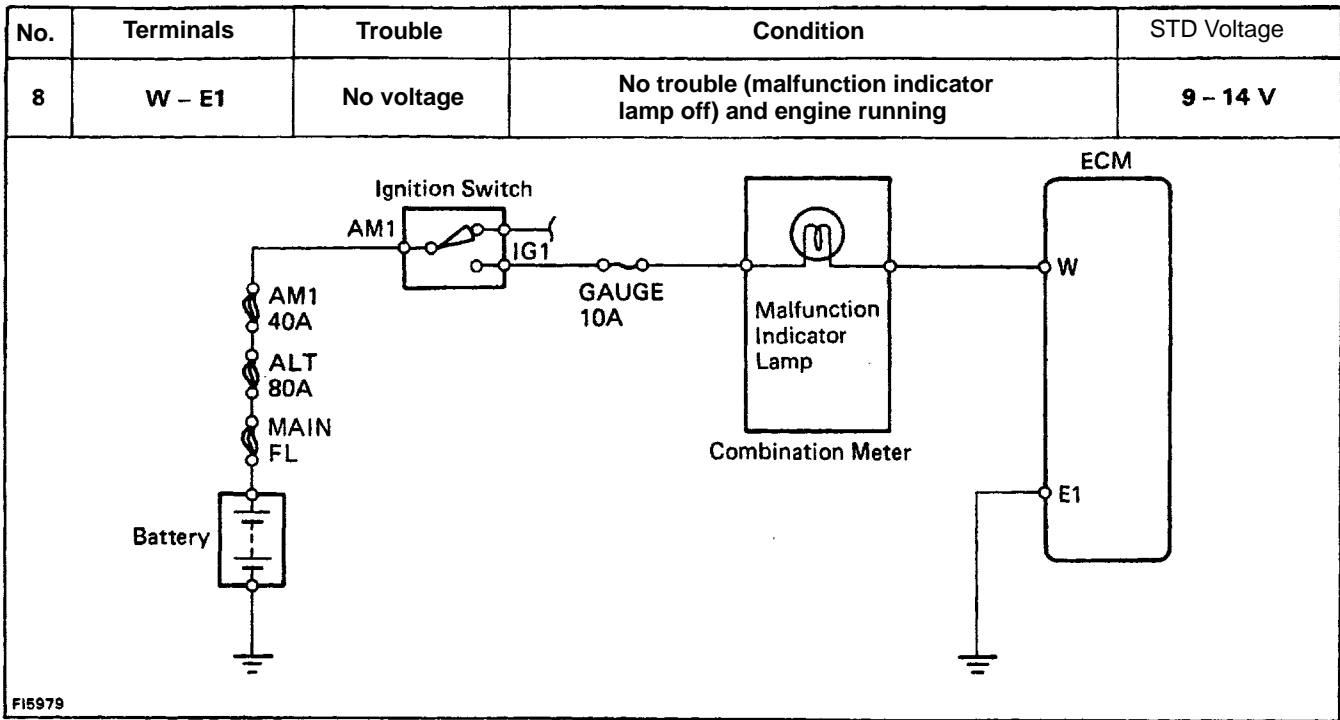
FI3506



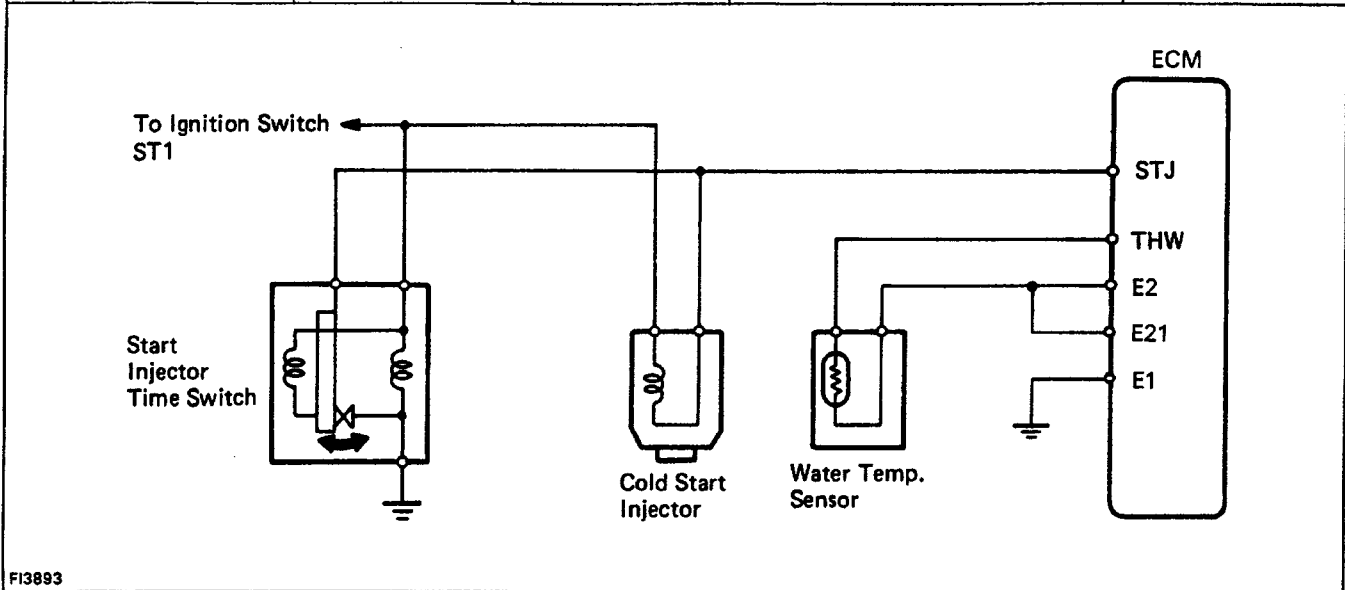
FI3502

```

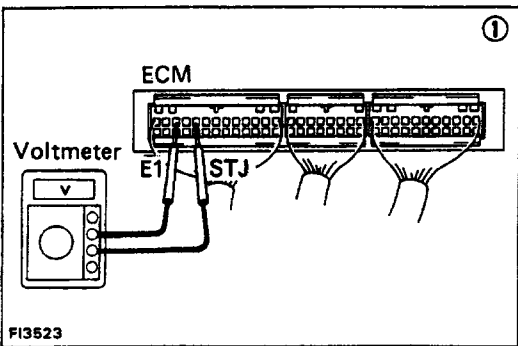
    graph TD
      A["(1) There is no voltage between ECM terminals IGT and E1. (idling)"] --> B["(2) Check that there is voltage between ECM terminal IGT and body ground. (idling)"]
      B -- OK --> C["(3) Check wiring between ECM terminal E1 and body ground."]
      B -- BAD --> D["Refer to No. 1."]
      C -- OK --> D
      C -- BAD --> E["Repair or replace."]
      D -- OK --> F["Check wiring between igniter and distributor."]
      D -- BAD --> E
      F -- OK --> G["Check distributor."]
      F -- BAD --> E
      G -- OK --> H["Check wiring between ECM and igniter."]
      G -- BAD --> E
      H -- OK --> I["Check igniter."]
      H -- BAD --> E
      I -- OK --> J["Try another ECM."]
      I -- BAD --> E
  
```

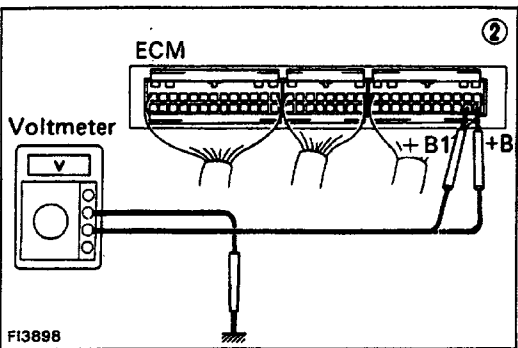
No.	Terminals	Trouble	Condition		STD Voltage
9	STJ - E1	No voltage	Cranking	Engine coolant temperature 80° (176° F)	6 V or more



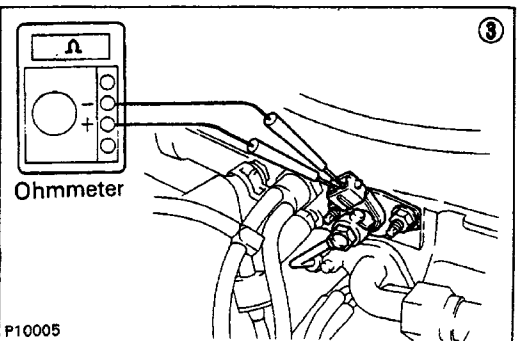
FI3893



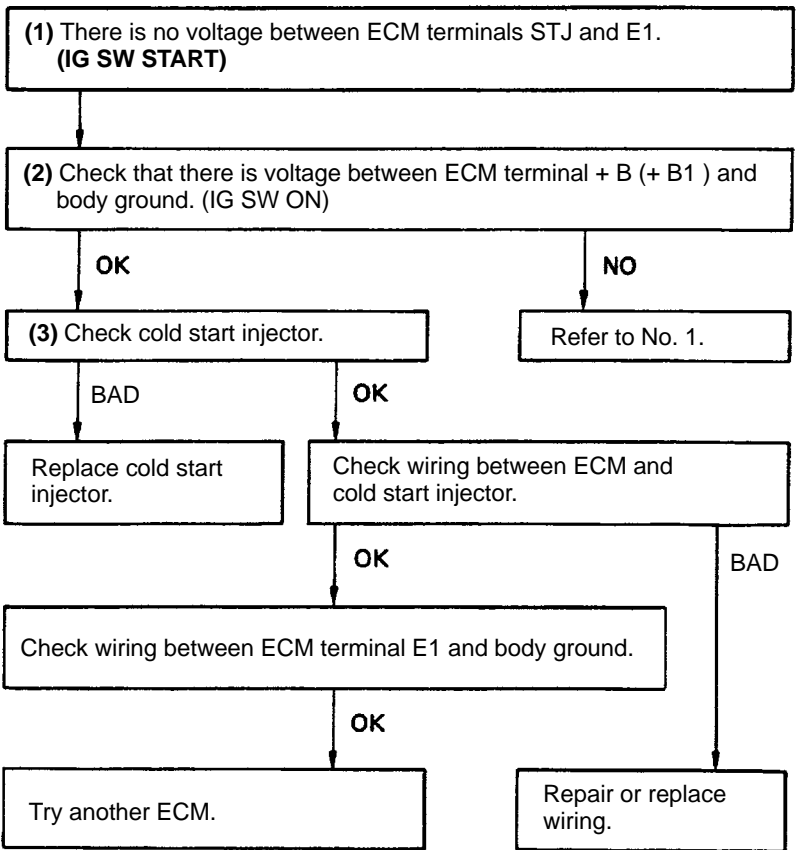
FI3523

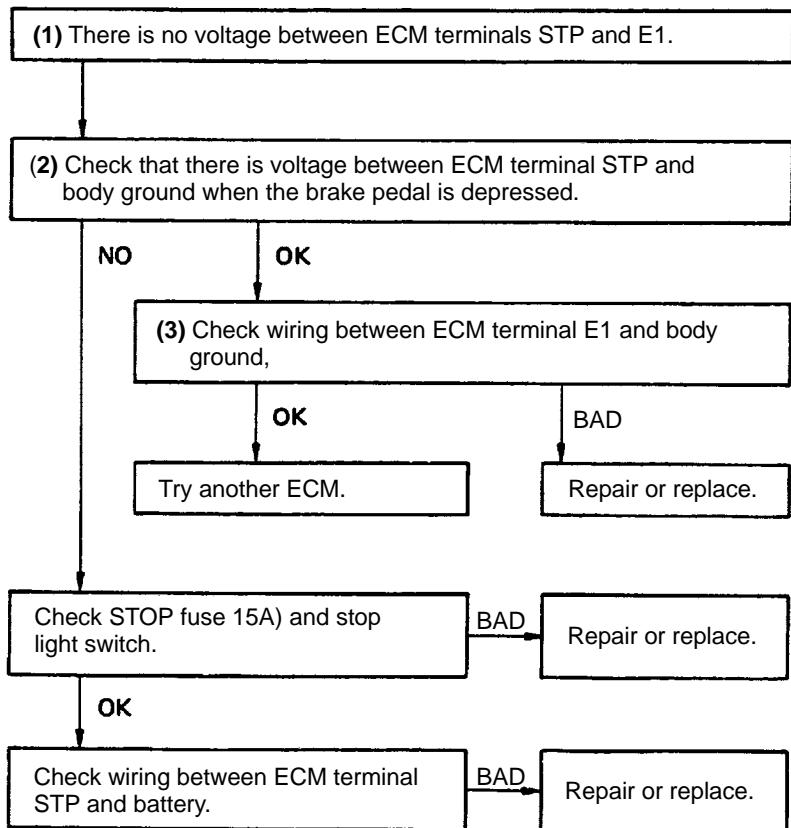
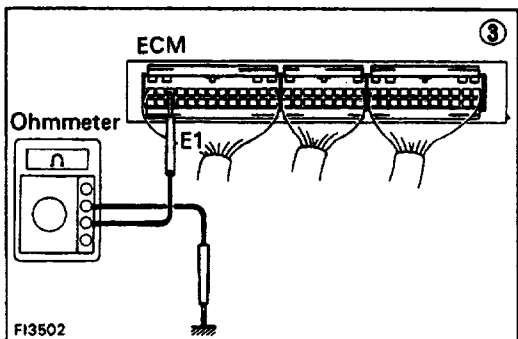
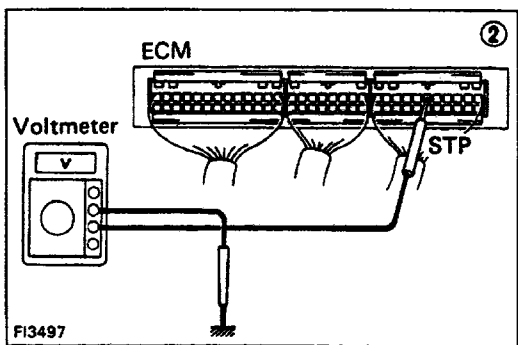
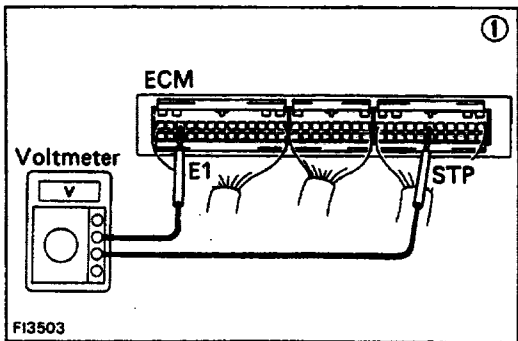
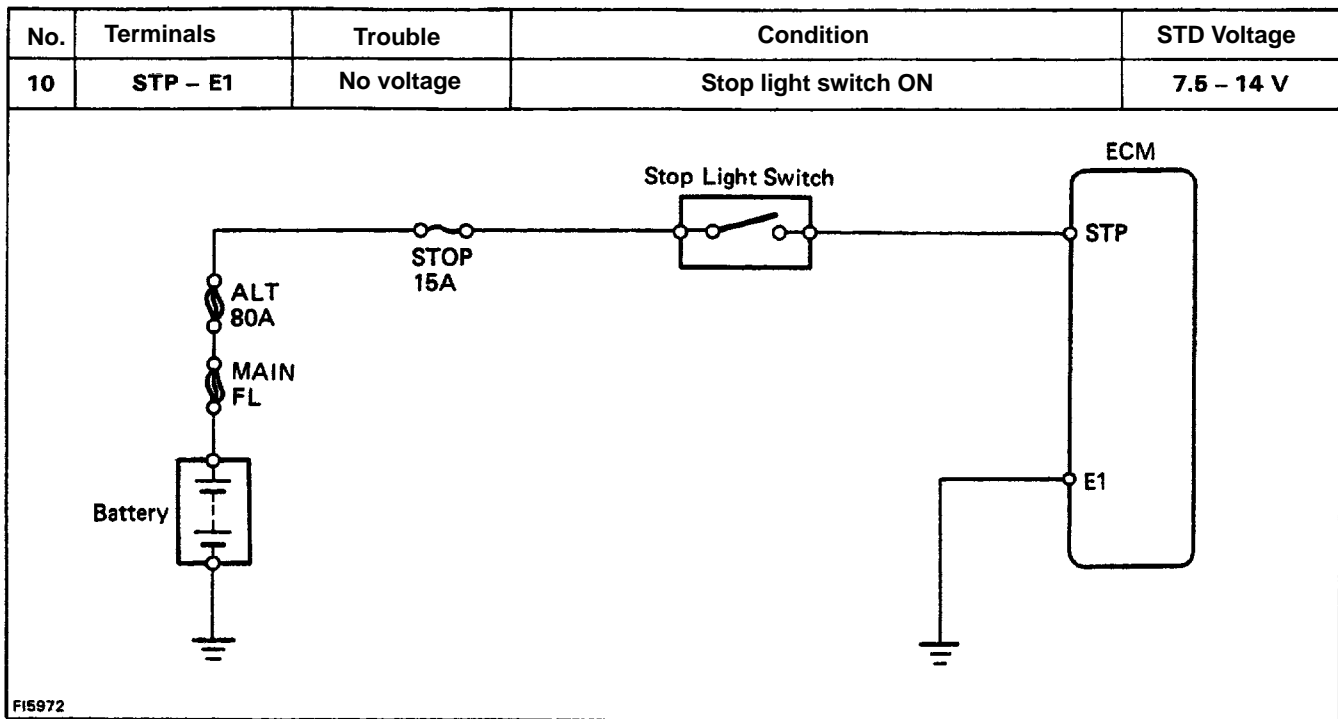


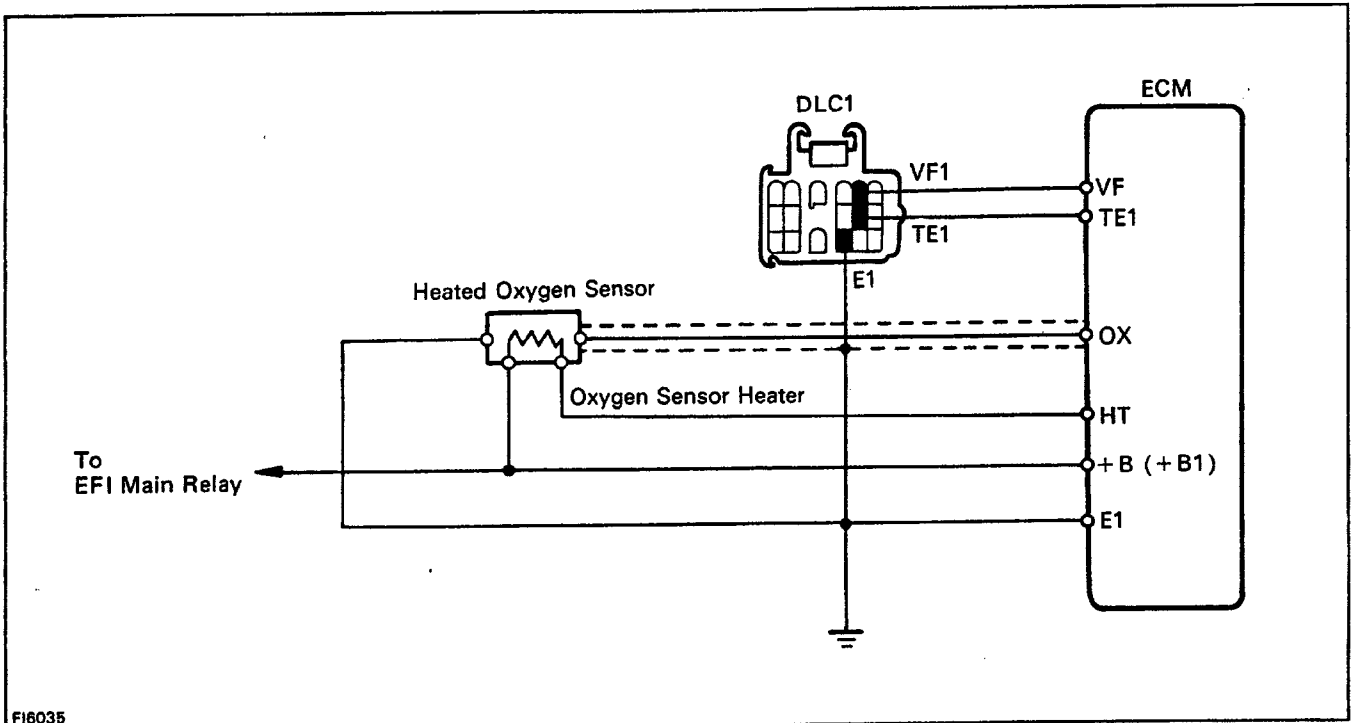
FI3898



F10005

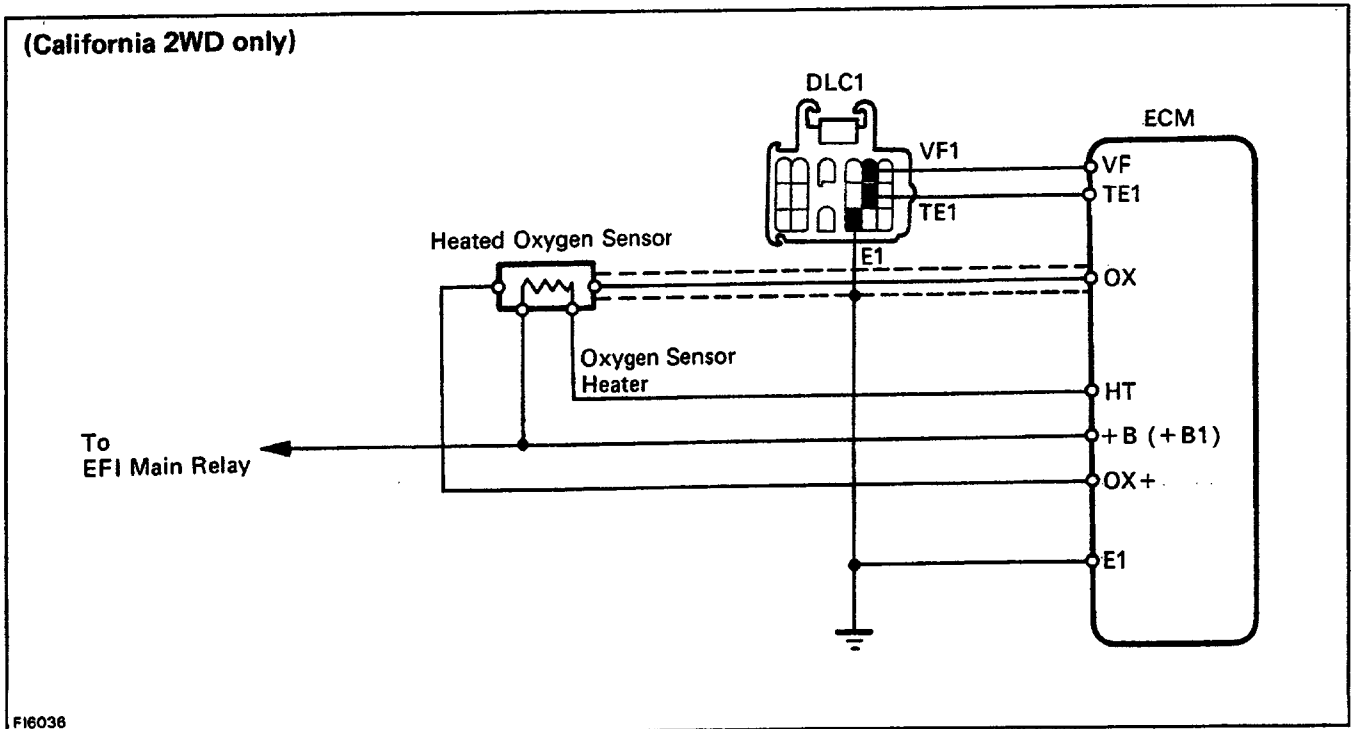




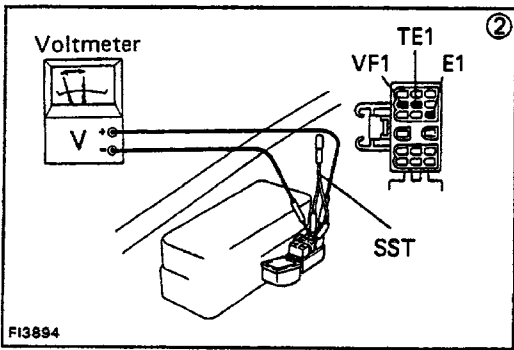
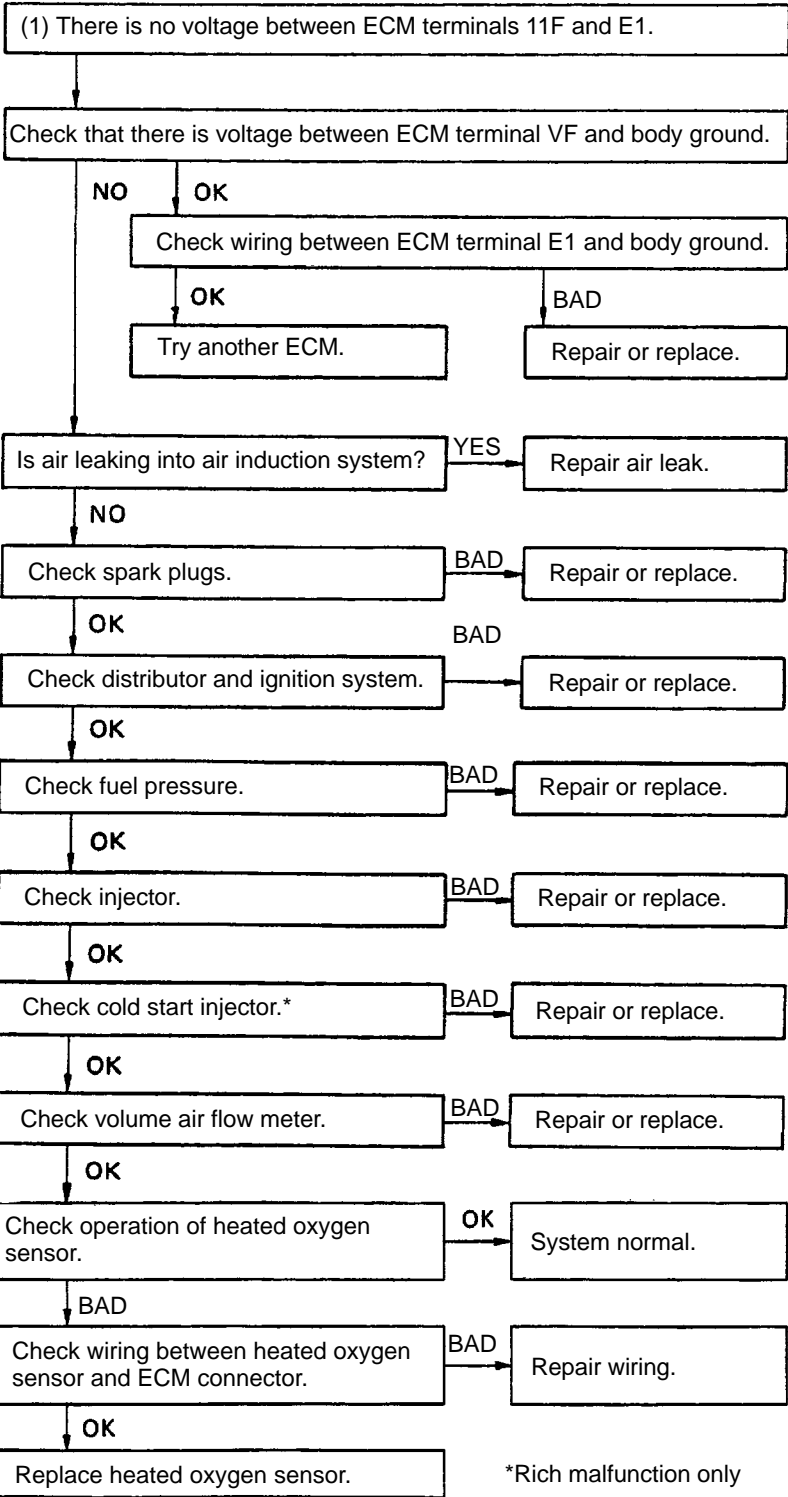
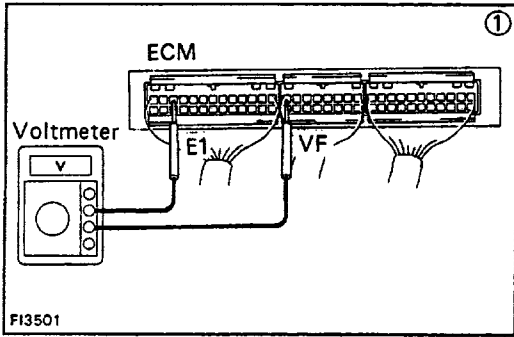


F16035

(California 2WD only)

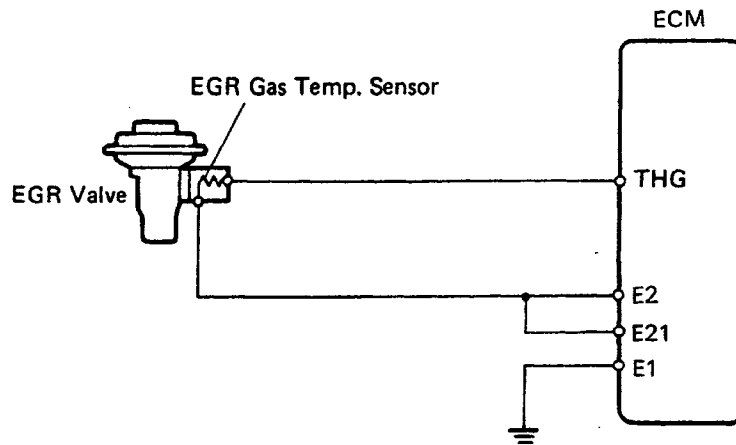


F16036

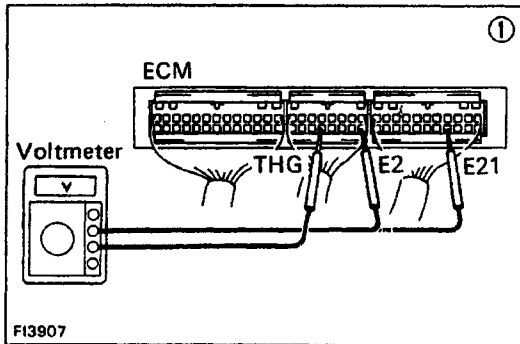


*Rich malfunction only

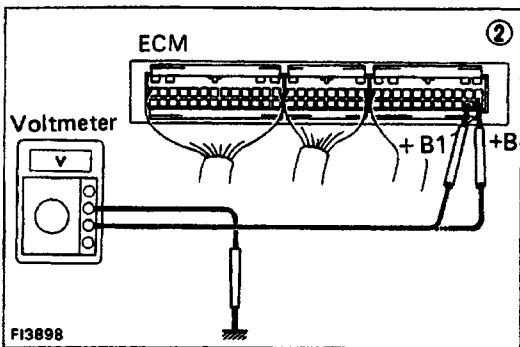
(California Vehicles and C & C)



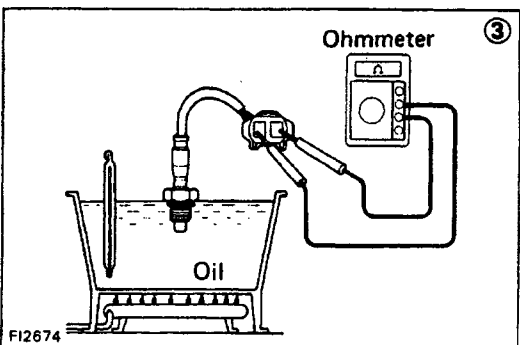
FI3895



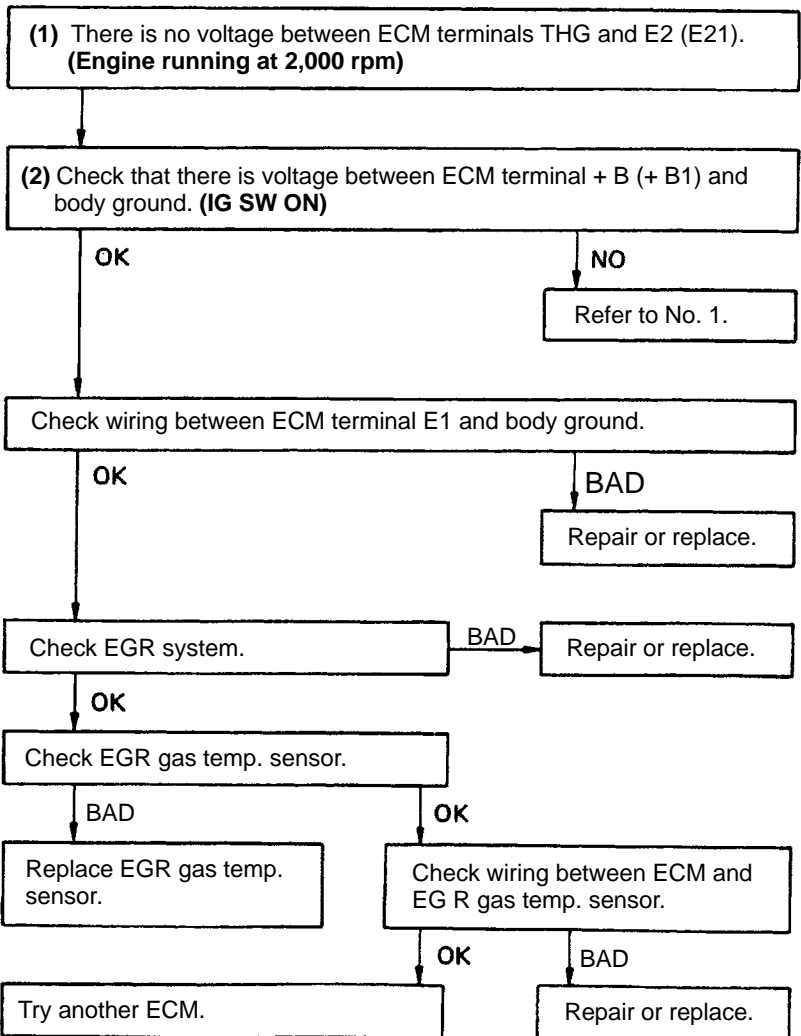
FI3907



FI3898

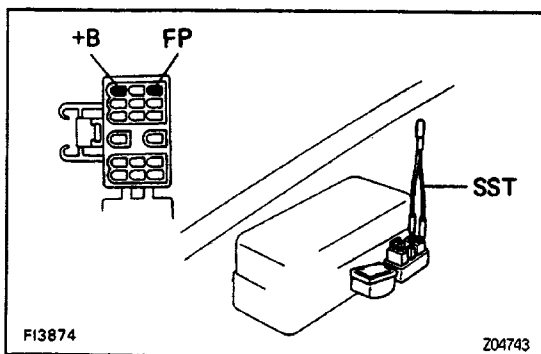
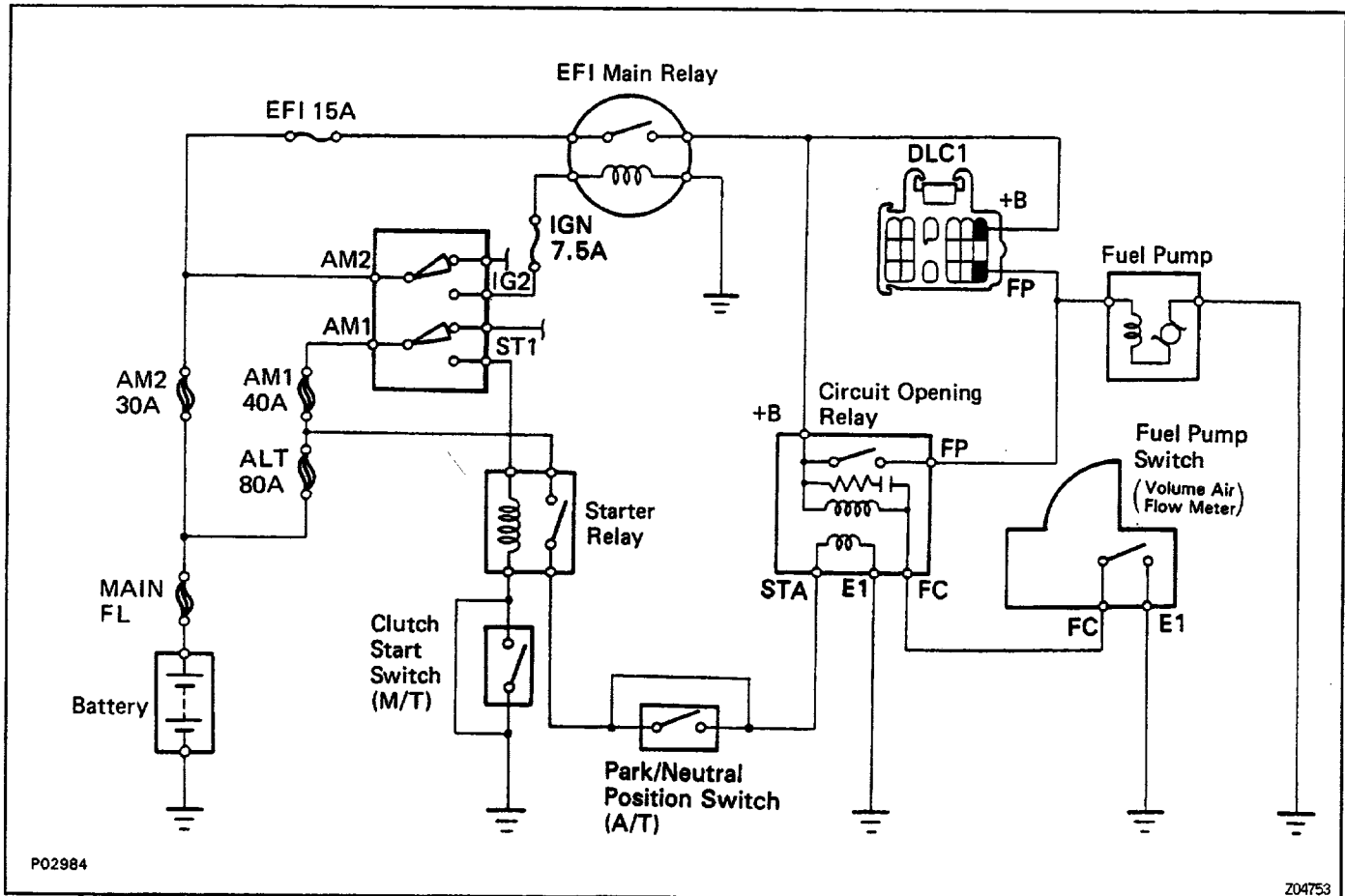


FI2674



FUEL PUMP SYSTEM CIRCUIT

E01GM-02



ON-VEHICLE INSPECTION

1. CHECK FUEL PUMP OPERATION

(a) Turn the ignition switch ON.

HINT: Do not start the engine.

(b) Using SST, connect terminals FP and +B of the DLC

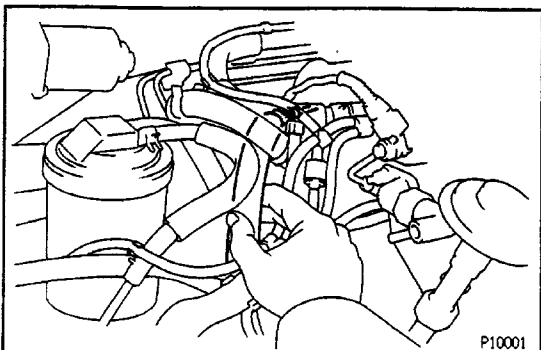
1.

SST 09843-18020

HINT: The DLC1 is located near the No.2 relay block.

(c) Check that there is pressure in the fuel inlet hose.

HINT: At this time, you will hear fuel return noise from the fuel return hose.



(d) Remove SST from the DLC1. ,
SST 09843-18020

(e) Turn the ignition switch OFF.

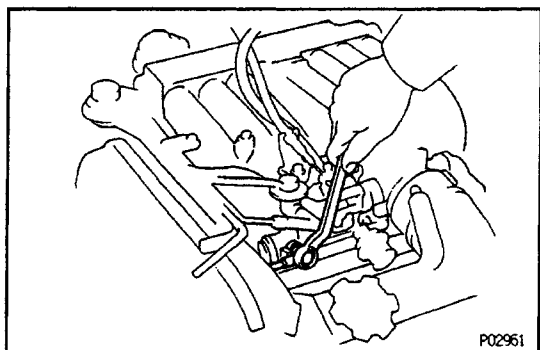
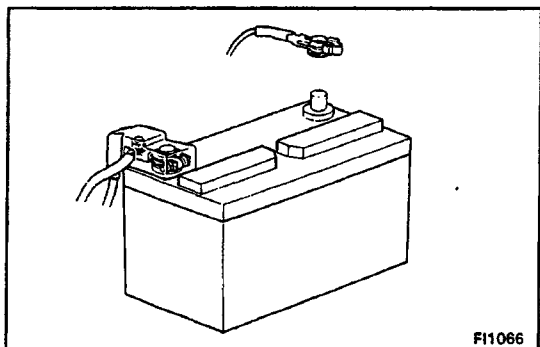
If there is no pressure, check the following parts:

- Fusible link
- Fuses (EFI 15A, IGN 7.5A)
- EFI main relay
- Circuit opening relay
- Fuel pump
- Wiring connections

2. CHECK FUEL PRESSURE

(a) Check that the battery voltage is above 12V.

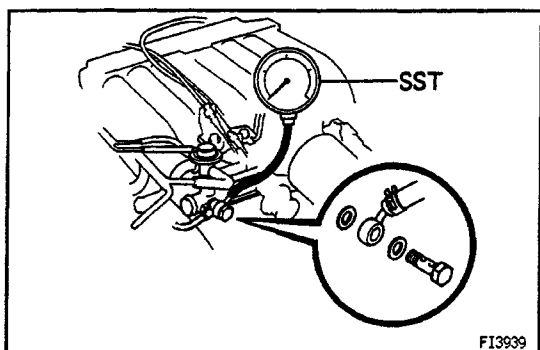
(b) Disconnect the negative terminal of the battery.



(c) Place a suitable container or shop towel under the LH delivery pipe.

(d) Slowly loosen the union bolt of the No.3 fuel pipe and remove the union bolt and two gaskets from the delivery pipe.

(e) Drain fuel in the LH delivery pipe.



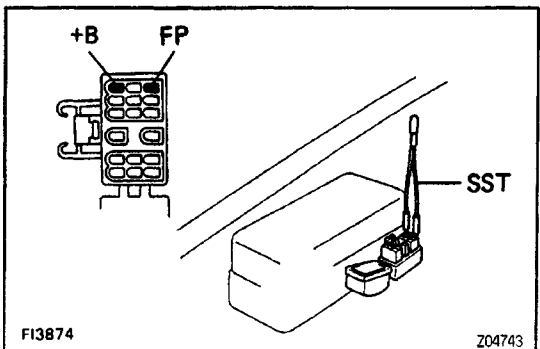
(f) Install the No.3 fuel pipe and SST (pressure gauge) to the LH delivery pipe with three new gaskets and SST (union bolt) as shown in the illustration.

SST 09268-45012

Torque: 34 N-m (350 kgf-cm, 25 ft-lbf)

(g) Wipe off any splattered gasoline.

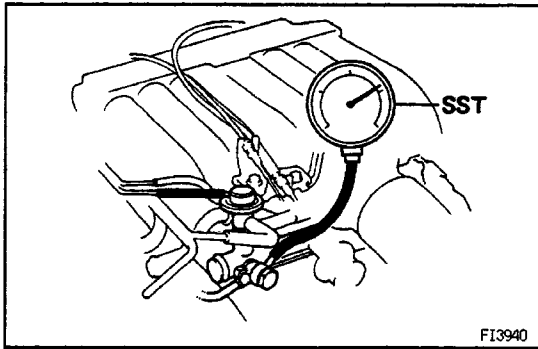
(h) Reconnect the battery negative terminal.



(i) Using SST, connect terminals FP and +B of the DLC1.
1.

SST 09843-18020

(j) Turn the ignition switch ON.



(k) Measure the fuel pressure.

Fuel pressure:

265 – 304 kPa (2.7 – 3.1 kgf/cm², 38 – 44 psi)

If pressure is high, replace the fuel pressure regulator.

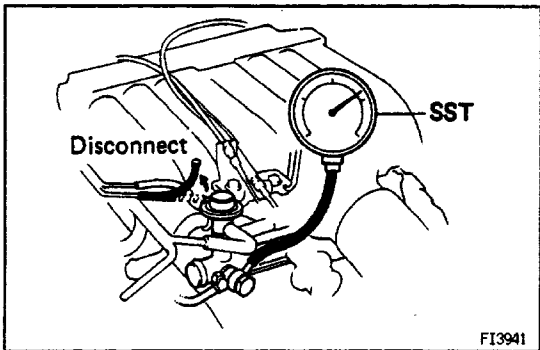
If pressure is low, check the following parts:

- Fuel hoses and connections
- Fuel pump
- Fuel filter
- Fuel pressure regulator

(l) Remove SST from the DLC 1.

SST 09843-18020

(m) Start the engine.

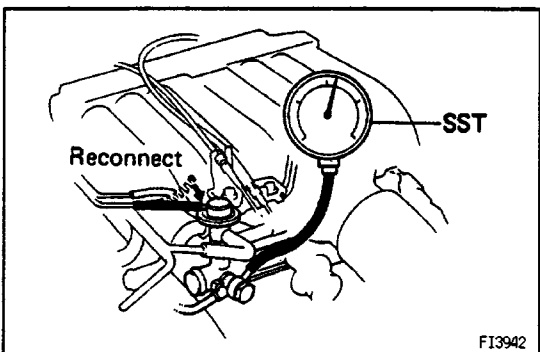


(n) Disconnect the vacuum hose from the fuel pressure regulator and plug it closed.

(o) Measure the fuel pressure at idling.

Fuel pressure:

265 – 304 kPa (2.7 – 3.1 kgf/cm², 38 – 44 psi)



(p) Reconnect the vacuum hose to the fuel pressure regulator.

(q) Measure the fuel pressure at idling.

Fuel pressure:

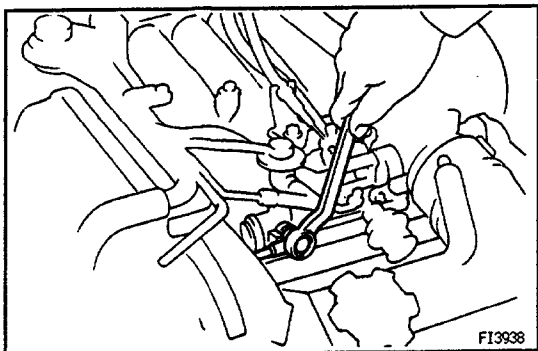
226 – 255 kPa (2.3 – 2.6 kgf/cm², 33 – 37 psi)

If not within the specified pressure, check the vacuum hose and fuel pressure regulator.

(r) Stop the engine. Check that the fuel pressure remains above 147 kPa (1.5 kgf/cm², 21 psi) for 5 minutes after the engine is turned off.

If not within specification, check the fuel pump, fuel pressure regulator and/or injectors.

(s) After checking fuel pressure, disconnect the battery negative terminal and carefully remove the SST to prevent gasoline from splashing.



FI3938

(t) Using two new gaskets, reconnect the No.3 fuel pipe to the delivery pipe.

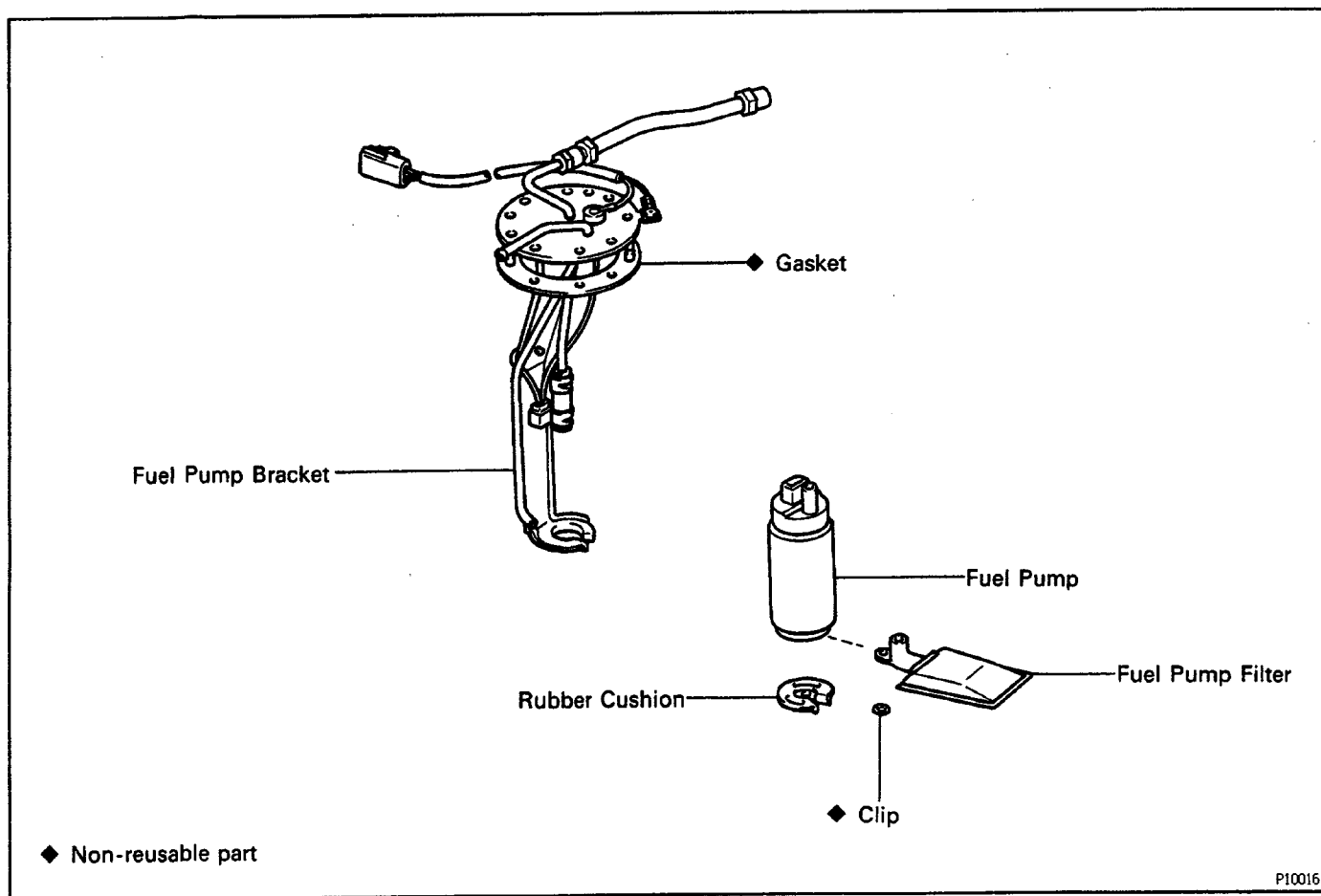
Torque: 34 N·m (350 kgf·cm. 25 ft·lbf)

(u) Reconnect the battery negative terminal.

(v) Start the engine and check for fuel leakage.

COMPONENTS FOR REMOVAL AND INSTALLATION

EG17F-01



P10016

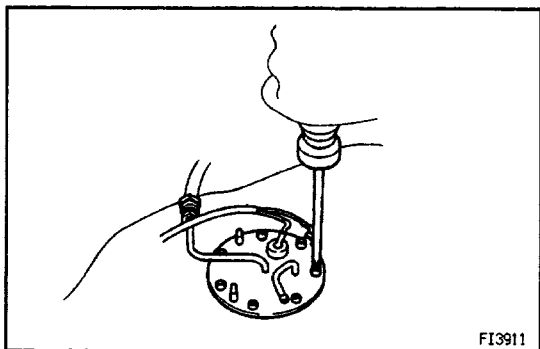
FUEL PUMP REMOVAL

EG10P-02

1. DRAIN FUEL FROM FUEL TANK

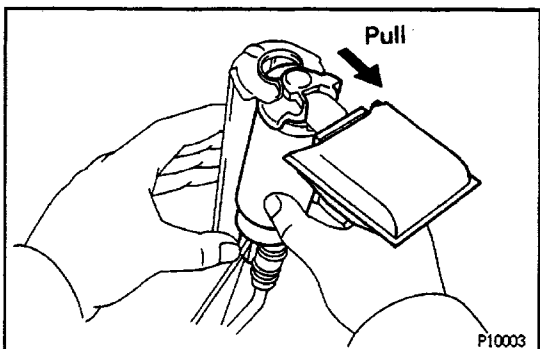
CAUTION: Do not smoke or work near an open flame when working on the fuel pump.

2. REMOVE FUEL TANK



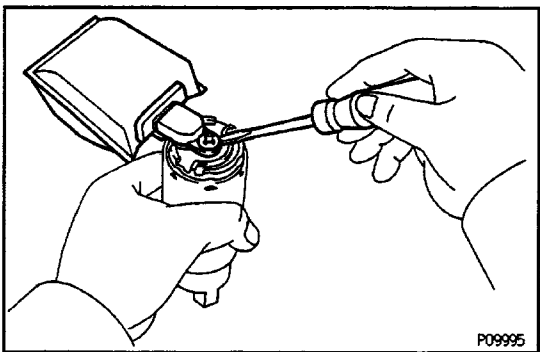
3. REMOVE FUEL PUMP BRACKET

- (a) Remove the seven bolts.
- (b) Pull out the fuel pump bracket.



4. REMOVE FUEL PUMP FROM FUEL PUMP BRACKET

- (a) Pull off the lower side of the fuel pump from the pump bracket.
- (b) Disconnect the fuel pump connector.
- (c) Disconnect the fuel hose from the fuel pump, and remove the fuel pump.
- (d) Remove the rubber cushion from the fuel pump.



5. REMOVE FUEL PUMP FILTER FROM FUEL PUMP

- (a) Using a small screwdriver, remove the clip.
- (b) Pull out the pump filter.

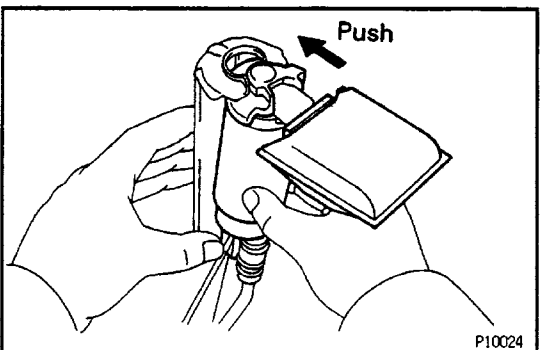
FUEL PUMP INSTALLATION

E8170-02

(See Components for Removal and Installation)

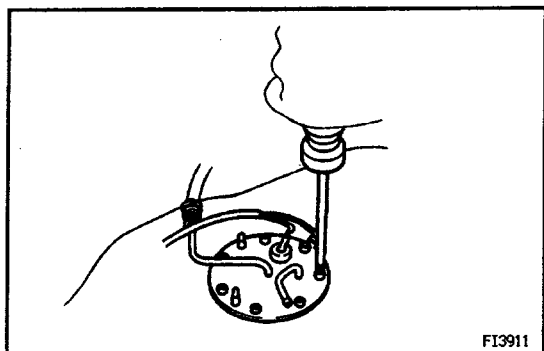
1. INSTALL FUEL PUMP FILTER TO FUEL PUMP

Install the pump filter with a new clip.



2. INSTALL FUEL PUMP TO FUEL PUMP BRACKET

- (a) Install the rubber cushion to the fuel-pump.
- (b) Connect the fuel hose to the outlet port of the fuel pump.
- (c) Install the fuel pump connector.
- (d) Install the fuel pump by pushing the lower side of the fuel pump.



3. INSTALL FUEL PUMP BRACKET

- (a) Place the bracket with a new gasket on the fuel tank.
- (b) Install and tighten the seven bolts.

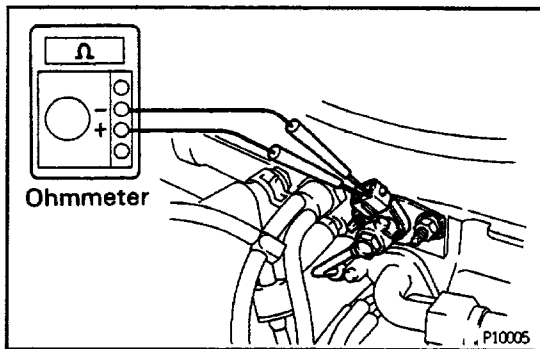
Torque: 3.9 N-m (40 kgf-cm, 34 in.-lbf)

4. INSTALL FUEL TANK

NOTICE:

- Tighten the pipe and flare nut type hose to the specified torque.
- Push in the pipe and insert-type hose to the specified position, and install the clip to the specified location.
- If reusing the hose, reinstall the clip at the original location.

5. REFILL WITH FUEL



COLD START INJECTOR ON-VEHICLE INSPECTION

EG10R-03

INSPECT RESISTANCE OF COLD START INJECTOR

- Disconnect the cold start injector connector.
- Using an ohmmeter, check the resistance of the injector.

Resistance:

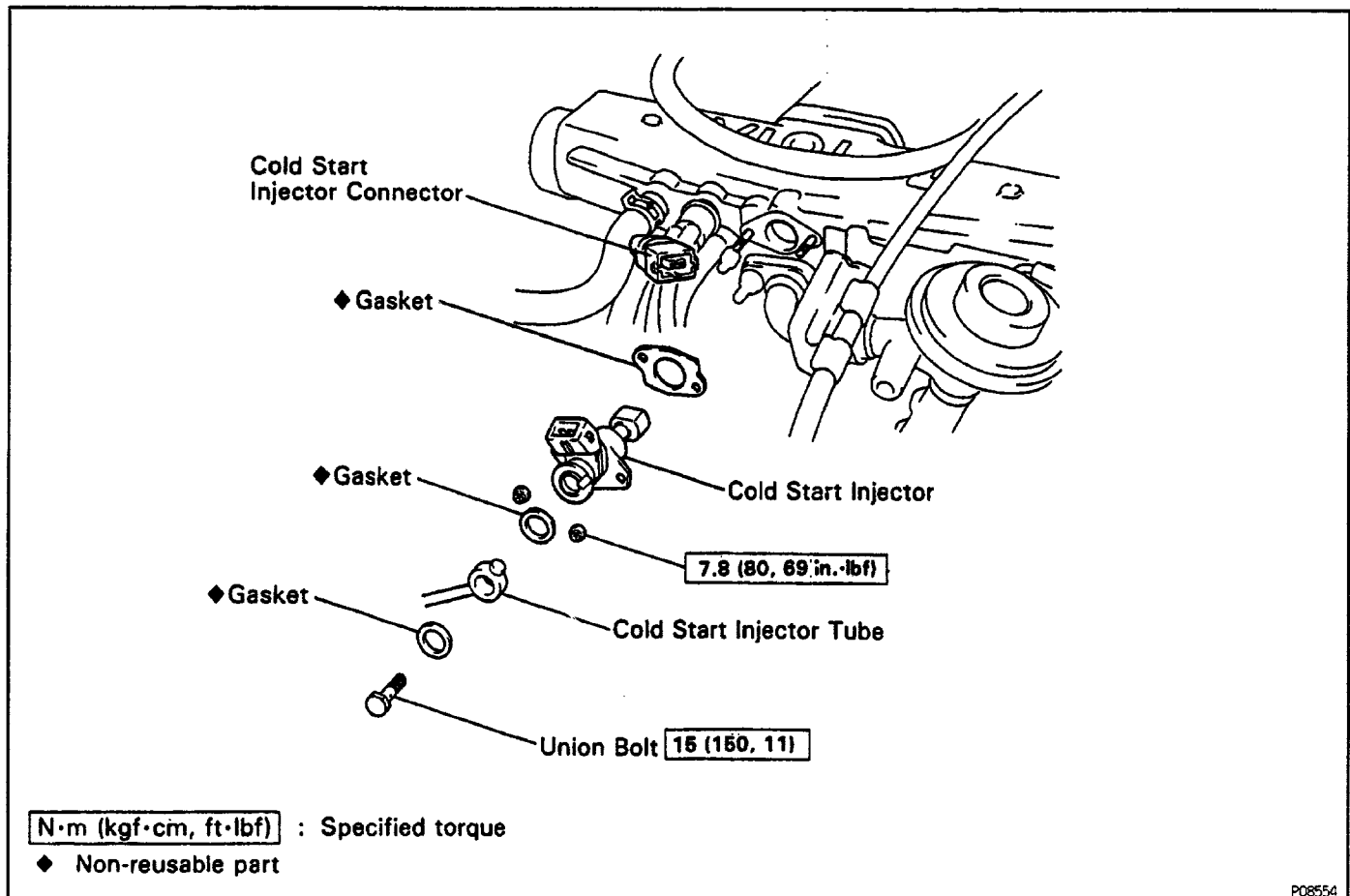
2-4

If the resistance is not as specified, replace the cold start injector.

- Connect the cold start injector connector.

EG17H-01

COMPONENTS FOR REMOVAL AND INSTALLATION



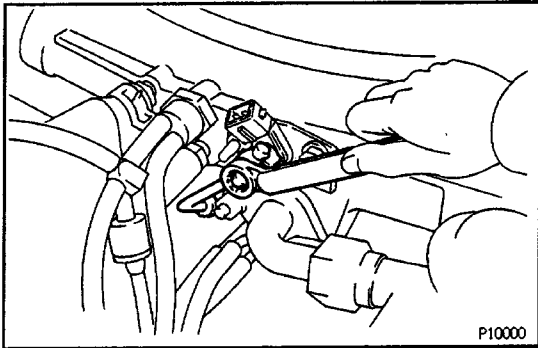
P08554

E017J-02

COLD START INJECTOR REMOVAL

(See Components for Removal and Installation)

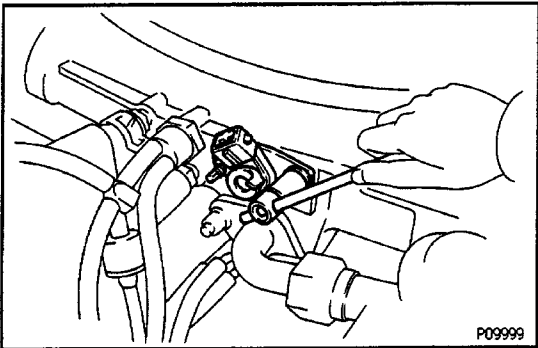
1. DISCONNECT CABLE FROM NEGATIVE TERMINAL OF BATTERY
2. DISCONNECT COLD START INJECTOR CONNECTOR



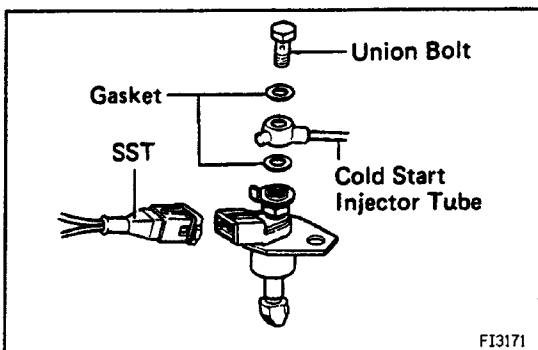
3. REMOVE COLD START INJECTOR

- (a) Put a suitable container or shop towel under the cold start injector tube.
- (b) Remove the union bolt and two gaskets, and disconnect the cold start injector tube.

HINT: Slowly loosen the union bolt.



- (c) Remove the two nuts and cold start injector with the gasket.



COLD START INJECTOR INSPECTION

E0107-02

1. CHECK INJECTION OF COLD START INJECTOR

- (a) Install cold start injector tube, two new gaskets and union bolt to the injector.

Torque: 15 N-m (150 kgf-cm. 11 ft-lbf)

- (b) Connect the SST (wire) to the injector.

SST 09842-30050

CAUTION: Position the injector as far away from the battery as possible.

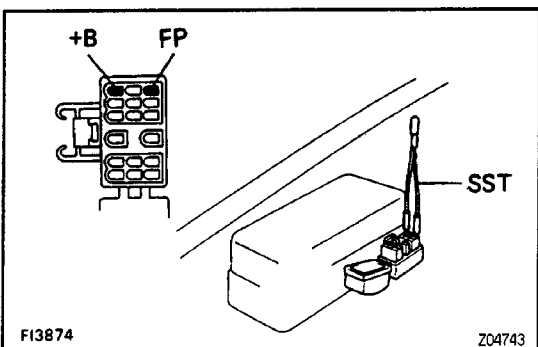
- (c) Put a container under the injector.

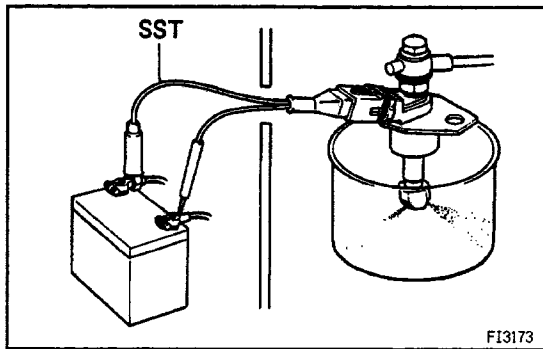
- (d) Turn the ignition switch ON.

HINT: Do not start the engine.

- (e) Using SST, connect terminals FP and +B of the DLC 1.

SST 09843-18020

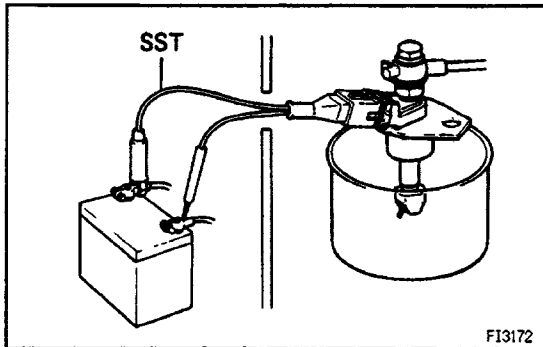




- (f) Connect the test probes of the SST to the battery and check that the fuel injection is as shown.

SST 09842-30050

NOTICE: Perform this check within the shortest possible time.



2. INSPECT LEAKAGE

- (a) Disconnect the test probes of SST from the battery and check fuel leakage from the injector.

SST 09842-30050

Fuel drop:

One drop or less per minute

- (b) After checking, remove SST and restore the following parts to their original positions.

- DLC1
- Ignition switch OFF
- Cold start injector
- Injector connector

COLD START INJECTOR INSTALLATION

(See Components for Removal and Installation)

1. INSTALL COLD START INJECTOR

- (a) Apply sealant to 2 or 3 threads of the bolt end.

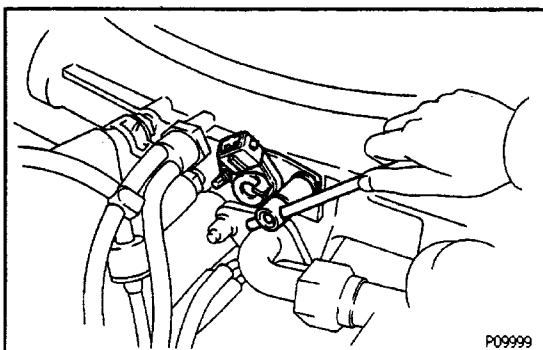
Sealant: Part No. 08833-00070, THREE BOND 1324 or equivalent

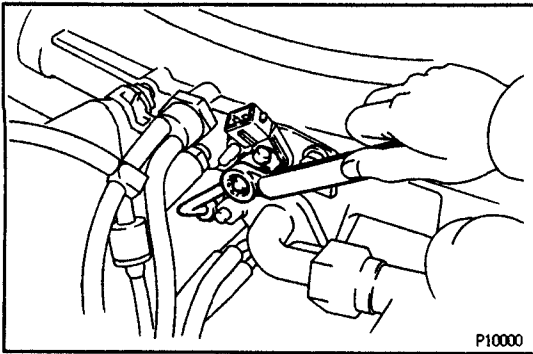
HINT: This adhesive will not harden while exposed to air.

It will act as a sealant or binding agent only when applied to threads, etc., where air is cut off.

- (b) Place a new gasket and install the cold start injector with the two nuts.

Torque: 7.8 N-m (80 kgf-cm, 69 in.-lbf)



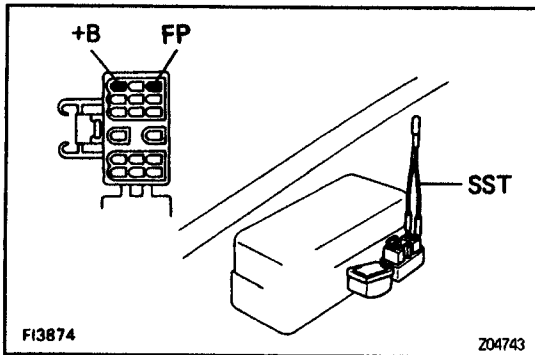


2. INSTALL COLD START INJECTOR TUBE

Using new gaskets, connect the cold start injector tube with the union bolts.

Torque: 15 N-m (150 kgf-cm, 11 ft-lbf)

3. CONNECT COLD START INJECTOR CONNECTOR
4. CONNECT CABLE TO NEGATIVE TERMINAL OF BATTERY



5. CHECK FOR FUEL LEAKAGE

(a) With the ignition switch ON, use SST to connect terminals FP and +B of the DLC1.

SST 09843-18020

(b) Check for fuel leakage.

(c) Remove SST from the DLC1.

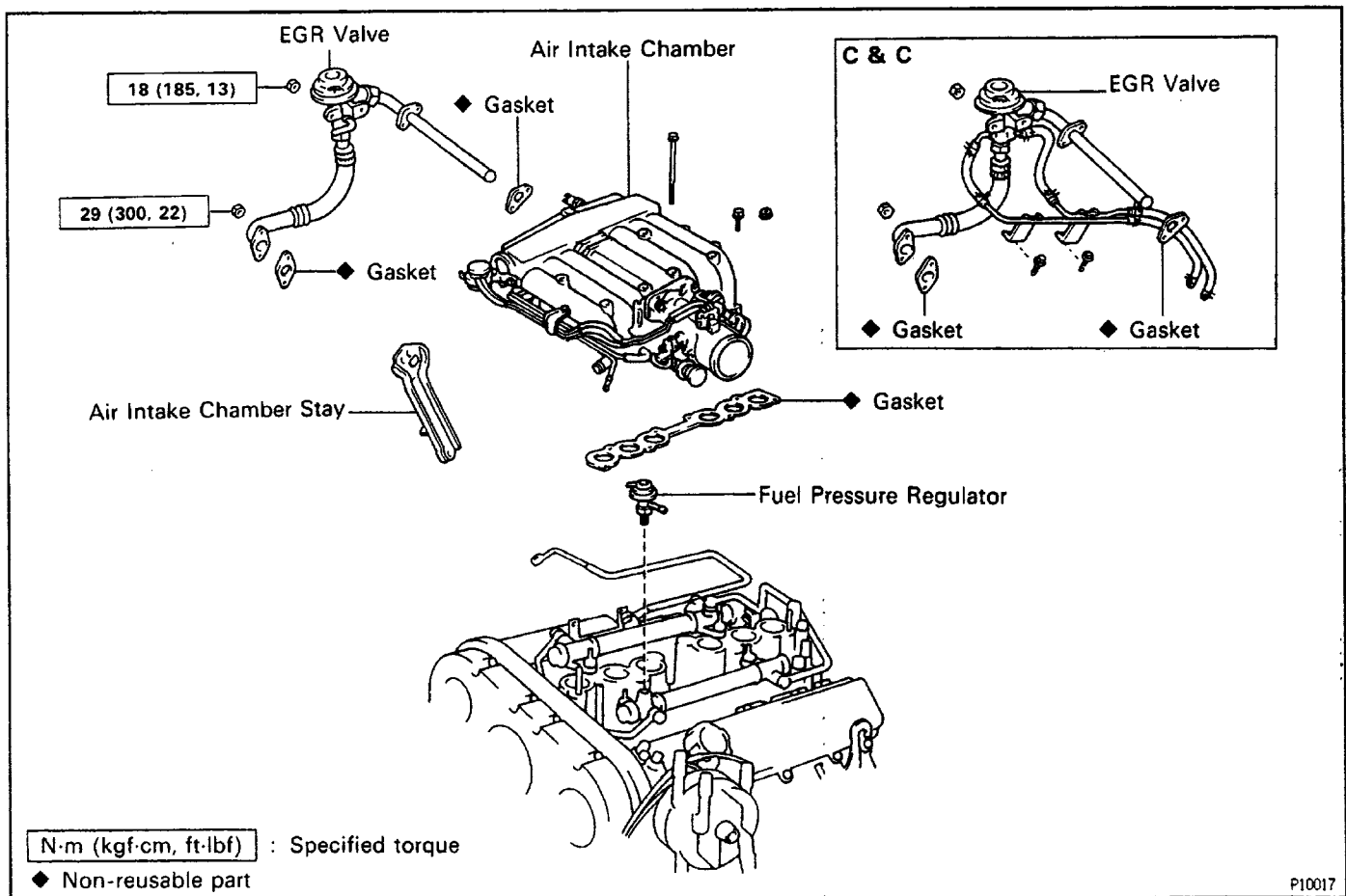
FUEL PRESSURE REGULATOR ON-VEHICLE INSPECTION

EG17L-01

CHECK FUEL-PRESSURE
(See step 2 on page [EG2-203](#))

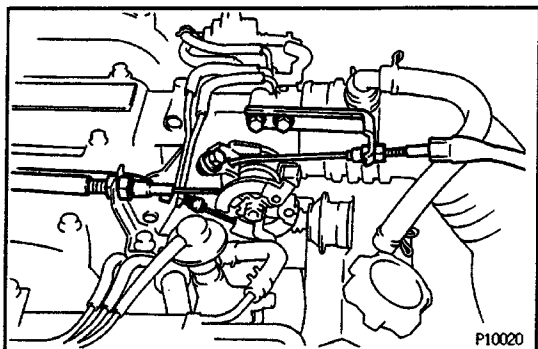
COMPONENTS FOR REMOVAL AND INSTALLATION

EG17M-01



FUEL PRESSURE REGULATOR REMOVAL

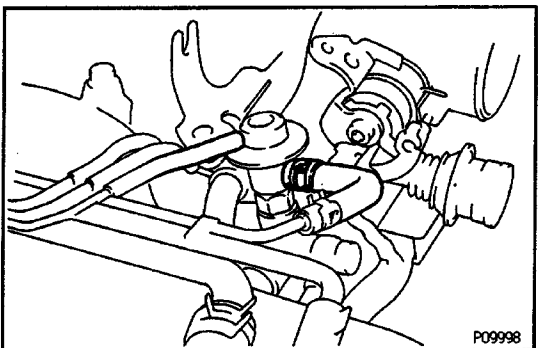
1. DISCONNECT CABLE FROM NEGATIVE TERMINAL OF BATTERY
2. DRAIN ENGINE COOLANT

**3. DISCONNECT FOLLOWING CABLES:**

- (a) (w/ Cruise control)
Actuator cable with bracket
- (b) Accelerator cable
- (c) (A/T)
Throttle cable

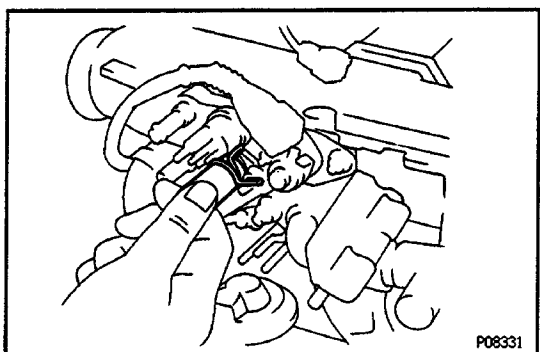
4. DISCONNECT AIR CLEANER HOSE**5. DISCONNECT VACUUM SENSING HOSE****6. DISCONNECT FUEL RETURN HOSE**

- (a) Place a suitable container or shop towel under the fuel pressure regulator.
- (b) Disconnect the fuel return hose from the fuel pressure regulator.

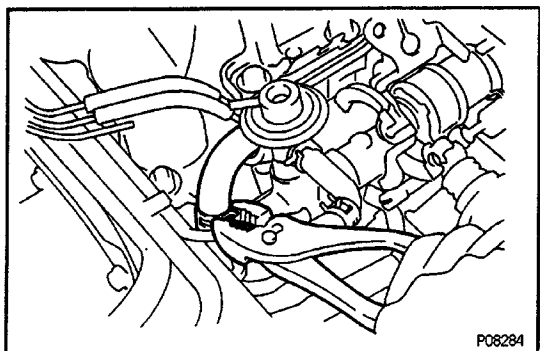
**7. REMOVE AIR INTAKE CHAMBER**

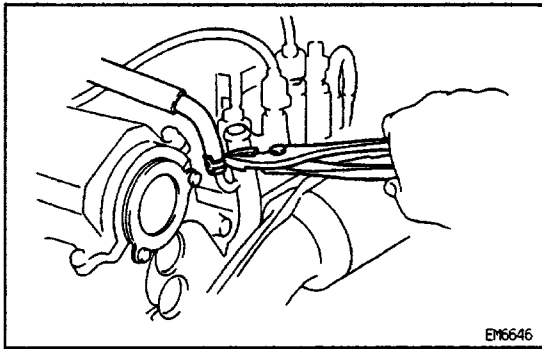
- (a) Disconnect the throttle position sensor connector.
- (b) Disconnect the canister vacuum hose from the throttle body.

- (c) Disconnect the PCV hose from the union.

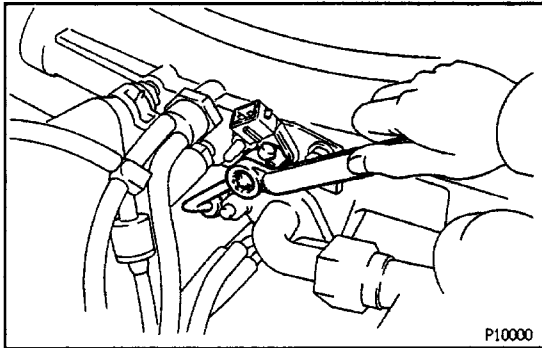


- (d) Disconnect the No.4 water by-pass hose from the union of the intake manifold.



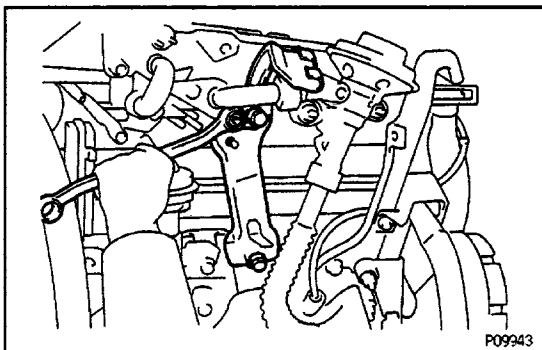


- (e) Disconnect the No.5 water by-pass hose from the water by-pass pipe.

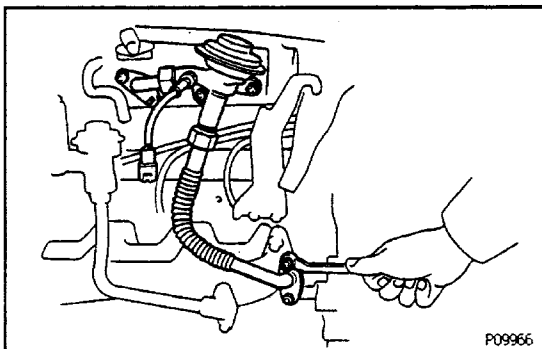


- (f) Disconnect the cold start injector connector.
 (g) Remove the union bolt, two gaskets and cold start injector tube.

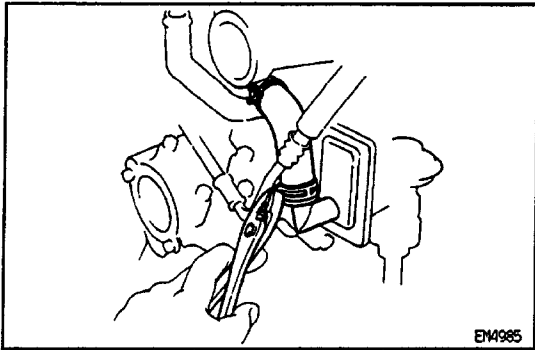
- (h) Disconnect the vacuum hose from the gas filter.
 (i) (California and C & C)
 Disconnect the EGR gas temp. sensor connector.
 (j) Disconnect the EGR vacuum hoses from the air pipe and EGR vacuum modulator.



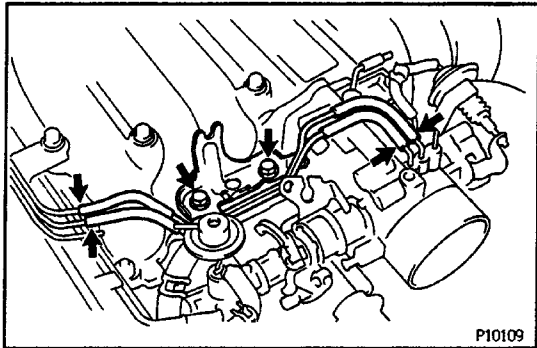
- (k) Remove the nut, two bolts, intake chamber stay and throttle cable bracket.



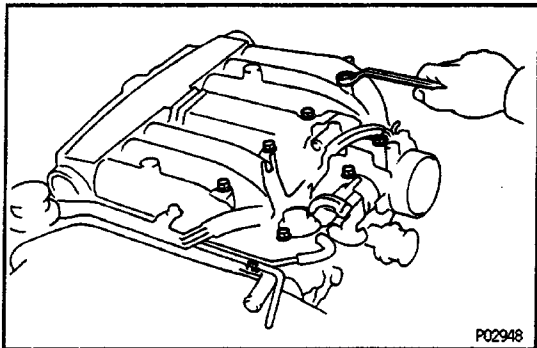
- (l) (C & C only)
 Disconnect the two water by-pass hoses from the EGR valve.
 (m) Remove the five nuts, EGR valve with the pipes and two gaskets.



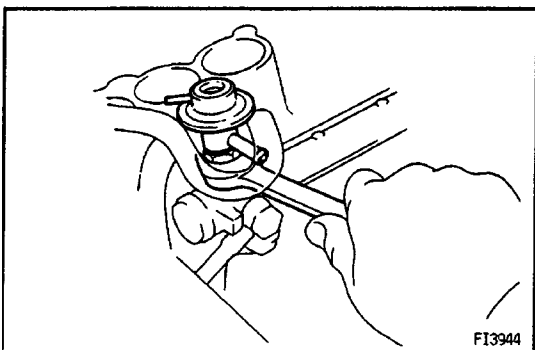
(n) Disconnect the No.1 air hose from the PAIR reed valve.



(o) Disconnect the four vacuum hoses from the air pipes.
(p) Remove the two bolts and accelerator cable bracket.

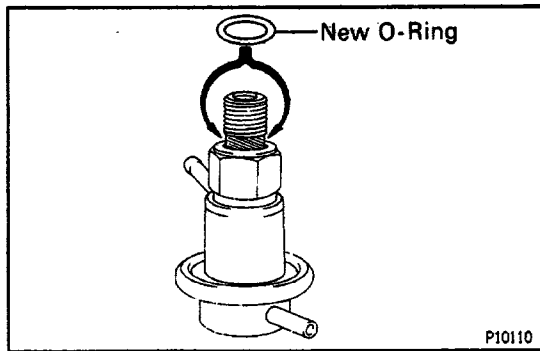


(q) Remove the six bolts, two nuts, intake chamber and gasket.



8. REMOVE FUEL PRESSURE REGULATOR

Loosen the lock nut, and remove the fuel pressure regulator.

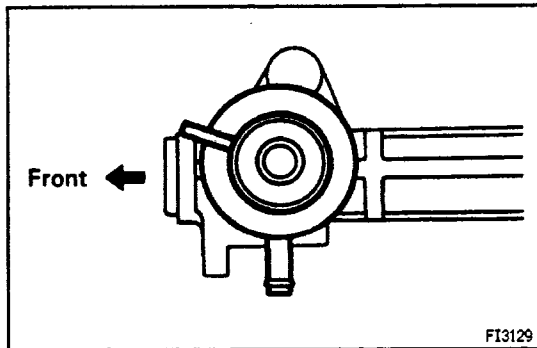


FUEL PRESSURE REGULATOR INSTALLATION

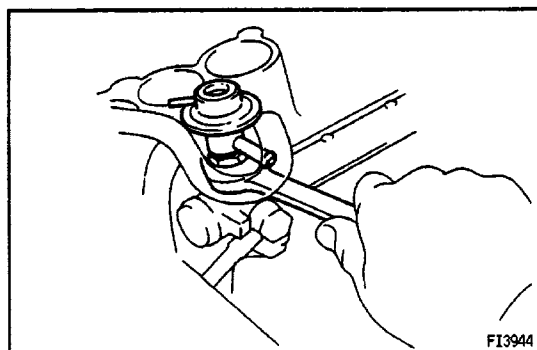
(See Components for Removal and Installation)

1. INSTALL FUEL PRESSURE REGULATOR

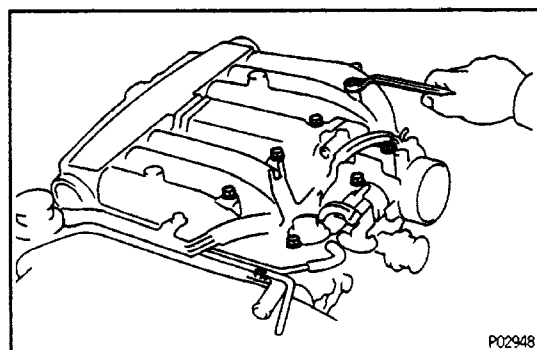
- (a) Fully loosen the lock nut of the fuel pressure regulator.
- (b) Apply a light coat of gasoline to a new O-ring and install it to the fuel pressure regulator.
- (c) Thrust the fuel pressure regulator completely into the delivery pipe by hand.



- (d) Turn the fuel pressure regulator counterclockwise until the outlet faces in the direction indicated in the illustration.

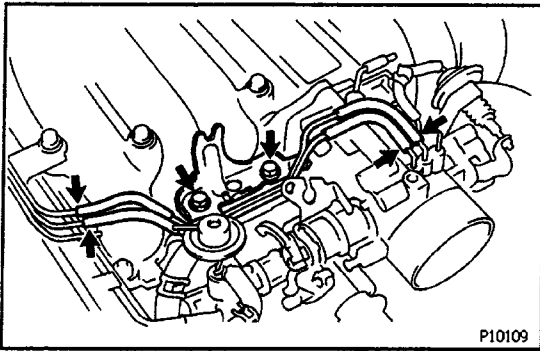


- (e) Torque the lock nut.
Torque: 29 N-m (300 kgf-cm, 22 ft-lbf)

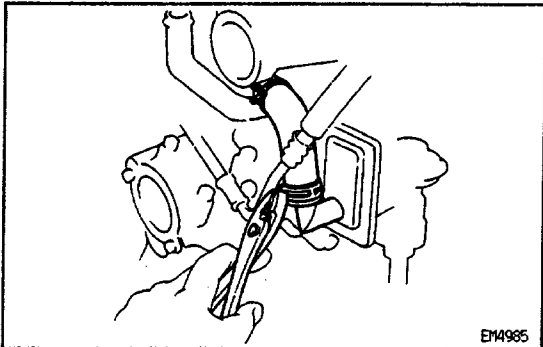


2. INSTALL AIR INTAKE CHAMBER

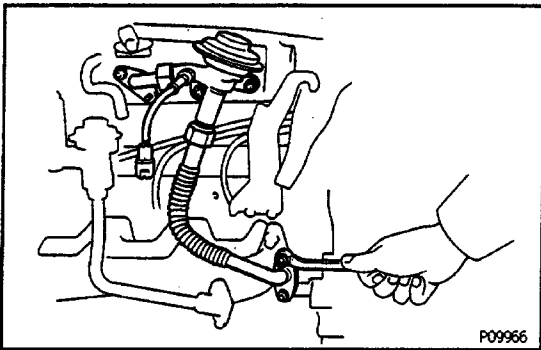
- (a) Position a new gasket on the intake manifold.
- (b) Install the intake chamber with the six bolts and two nuts.
Torque: 18 N-m (185 kgf-cm, 13 ft-lbf)



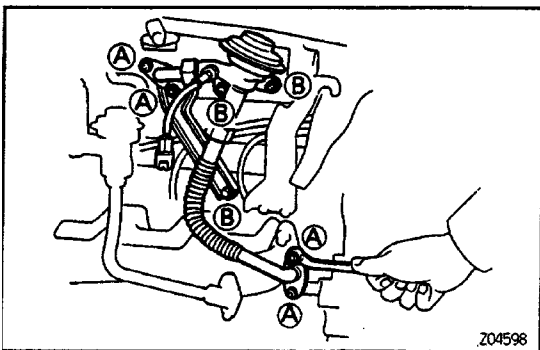
- (c) Install the accelerator cable bracket with the two bolts.
- (d) Connect the four vacuum hoses to the air pipes.



- (e) Connect the No. 1 air hose to the reed valve.



- (f) Position two new gaskets to the intake chamber and RH exhaust manifold.
- (g) Install the EGR valve with the pipes to the intake chamber and RH exhaust manifold.
- (h) (C & C only)
Connect the two water by-pass hoses to the EGR valve.

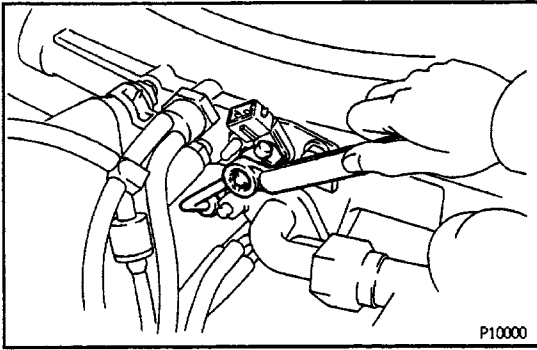


- (i) Install the air intake chamber stay and throttle cable bracket. Install and torque the six nuts and two bolts.
Torque:

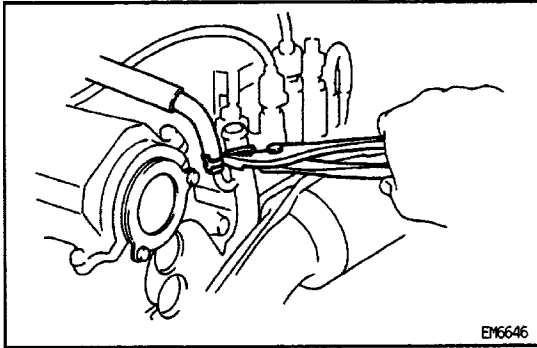
(A) 29 N-m (300 kgf-cm, 22 ft-lbf)

(B) 18 N-m (185 kgf-cm, 13 ft-lbf)

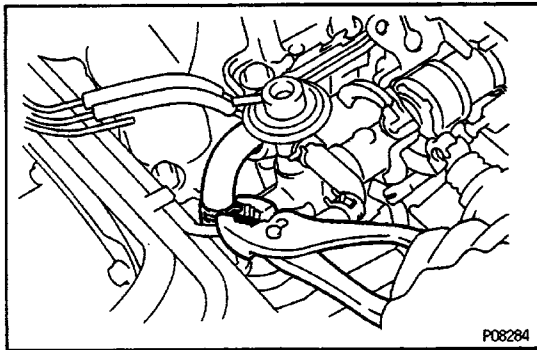
- (j) Connect the EGR hoses to the air pipe and EGR vacuum modulator.
- (k) (California and C & C)
Connect the EGR gas temp. sensor connector.
- (l) Connect the vacuum hose to the gas filter.



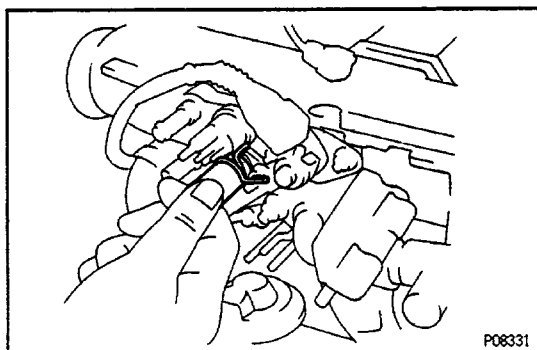
- (m) Connect the cold start injector tube with new a gasket and the union bolt.
Torque: 15 N-m (150 kgf-cm, 13 ft-lbf)
(n) Connect the cold start injector connector.



- (o) install the No.5 Water by-pass hose to the water by-pass pipe.

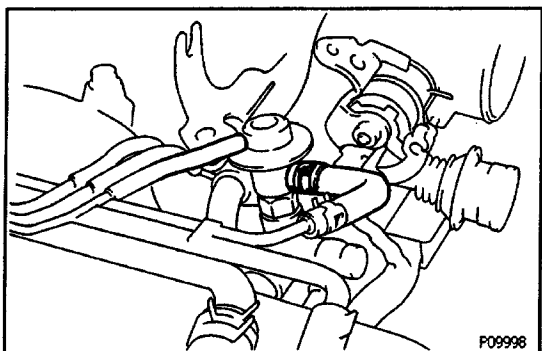


- (p) Connect the No.4 water by-pass hose to the union of the intake manifold.

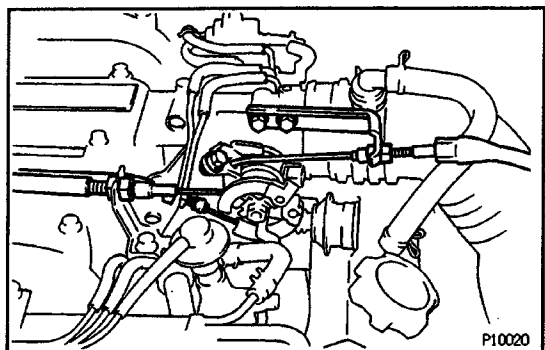


- (q) Connect the PCV hose to the union.

- (r) Connect the canister vacuum hose to the throttle body.
(s) Connect the throttle position sensor connector.



3. CONNECT FUEL RETURN HOSE
4. CONNECT VACUUM SENSING HOSE
5. CONNECT AIR CLEANER HOSE

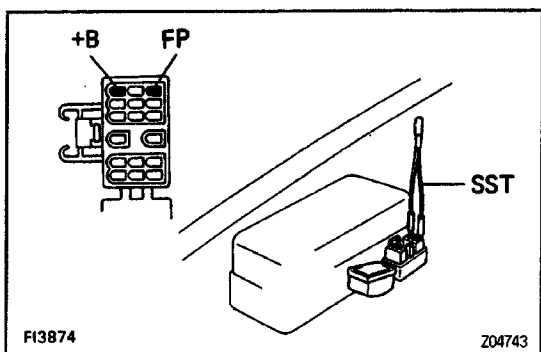


6. CONNECT FOLLOWING CABLES:

- (a) (A/T)
Throttle cable
- (b) Accelerator cable
- (c) (w/ Cruise control)
Actuator cable with bracket

7. REFILL WITH ENGINE COOLANT

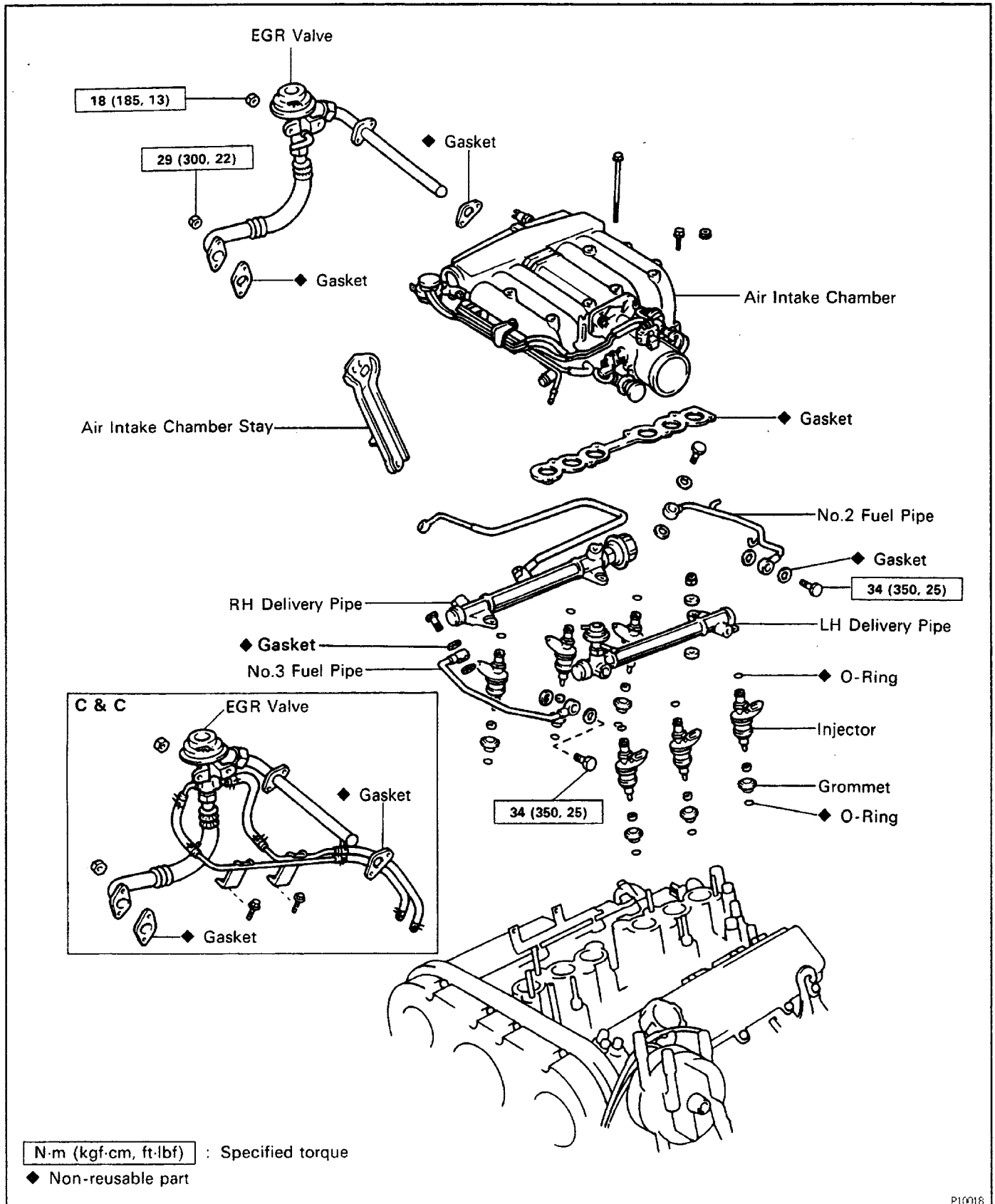
8. CONNECT CABLE TO NEGATIVE TERMINAL OF BATTERY



9. CHECK FOR FUEL LEAKAGE

- (a) With the ignition switch ON, use SST to connect terminals FP and +B of the DLC1.
SST 09843-18020
- (b) Check for fuel leakage.
- (c) Remove SST from the DLC1.

INJECTOR COMPONENTS FOR REMOVAL AND INSTALLATION

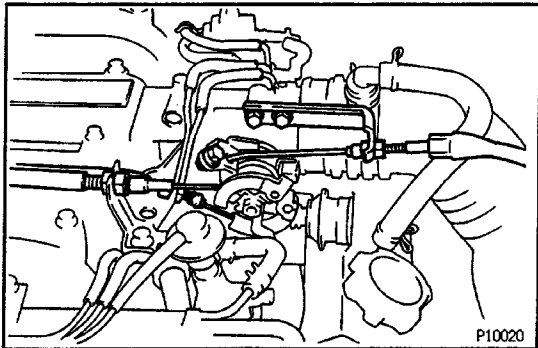


INJECTORS REMOVAL

(See Components for Removal and Installation)

1. DISCONNECT CABLE FROM NEGATIVE TERMINAL OF BATTERY

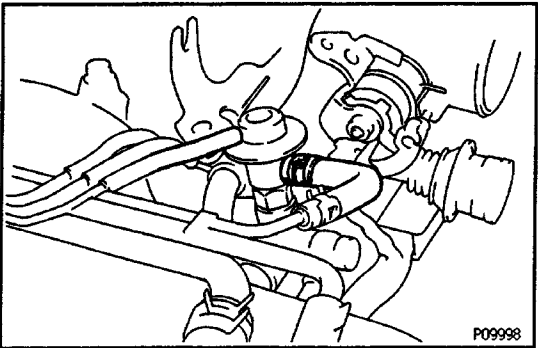
2. DRAIN ENGINE COOLANT



3. DISCONNECT FOLLOWING CABLES:

- (a) (w/ Cruise control)
Actuator cable with bracket
- (b) Accelerator cable
- (c) (A/T)
Throttle cable

4. DISCONNECT AIR CLEANER HOSE



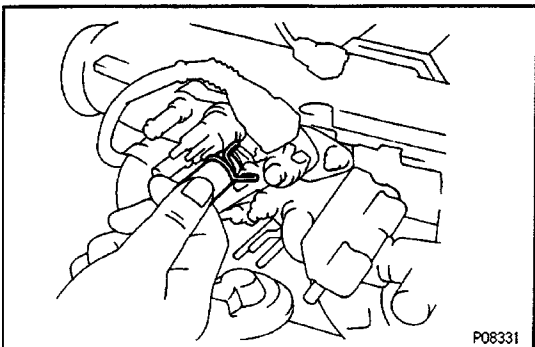
5. DISCONNECT VACUUM SENSING HOSE

6. DISCONNECT FUEL RETURN HOSE

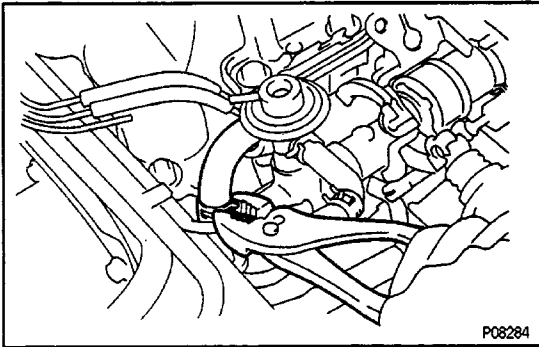
- (a) Place a suitable container or shop towel under the fuel pressure regulator.
- (b) Disconnect the fuel return hose from the fuel pressure regulator.

7. REMOVE AIR INTAKE CHAMBER

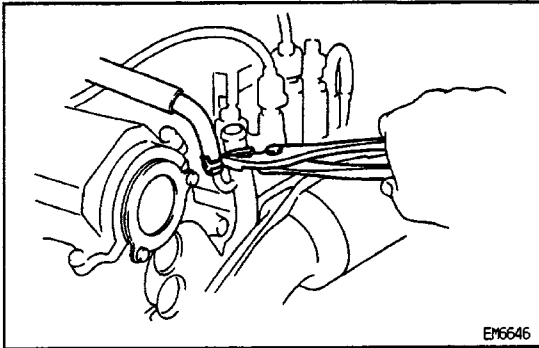
- (a) Disconnect the throttle position sensor connector.
- (b) Disconnect the canister vacuum hose from the throttle body.



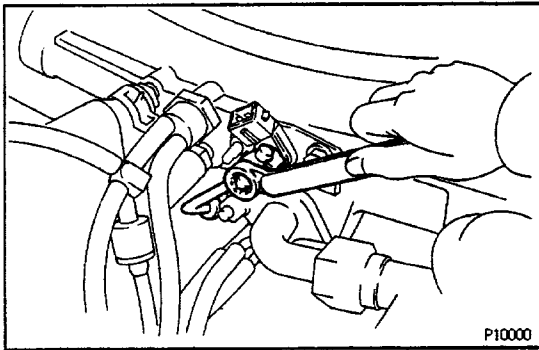
- (c) Disconnect the PCV hose from the union.



- (d) Disconnect the No.4 water by-pass hose from the union of the intake manifold.

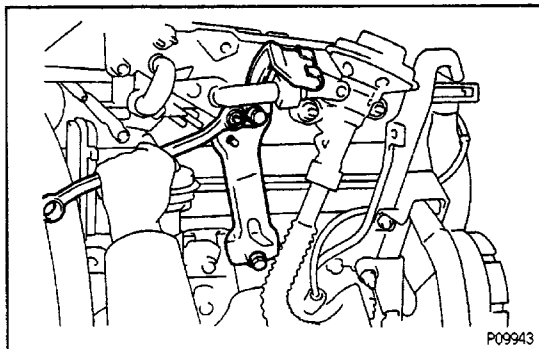


- (e) Disconnect the No.5 water by-pass hose from the water by-pass pipe.

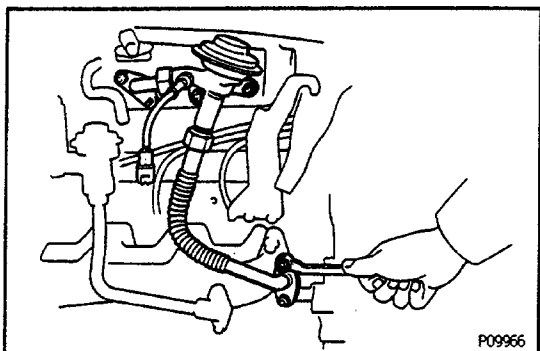


- (f) Disconnect the cold start injector connector.
 (g) Disconnect the vacuum hose from the gas filter.
 (h) Remove the union bolt, two gaskets and cold start injector tube.

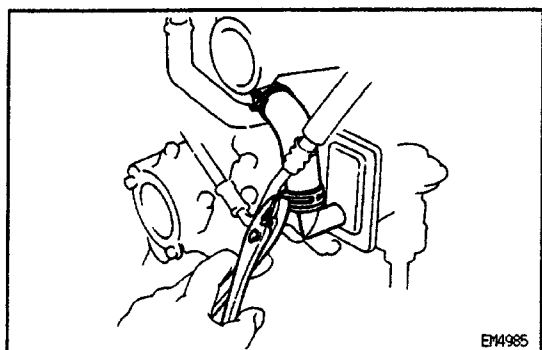
- (i) (California and C & C)
 Disconnect the EGR gas temp. sensor connector.
 (j) Disconnect the EGR vacuum hoses from the air pipe and EGR vacuum modulator.



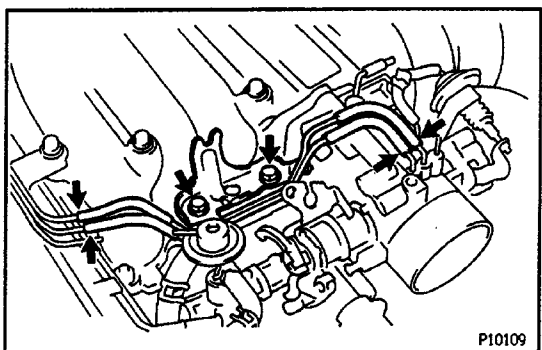
- (k) Remove the nut, two bolts, intake chamber stay and throttle cable bracket.



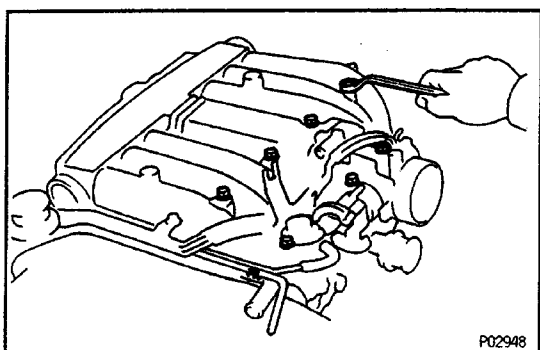
- (l) (C & C only)
 Disconnect the two water by-pass hoses from the EGR valve.
- (m) Remove the five nuts, EGR valve with the pipes and two gaskets.



- (n) Disconnect the No.1 air hose from the PAIR reed valve.



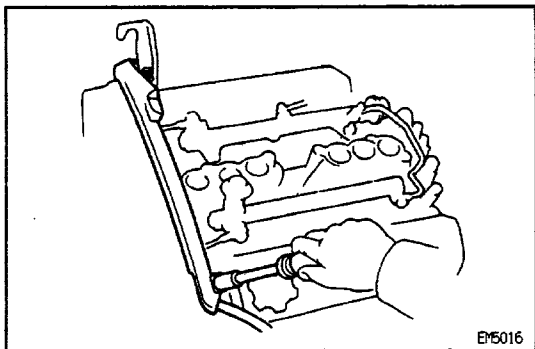
- (o) Disconnect the four vacuum hoses from air pipes.
- (p) Remove the two bolts and accelerator cable bracket.



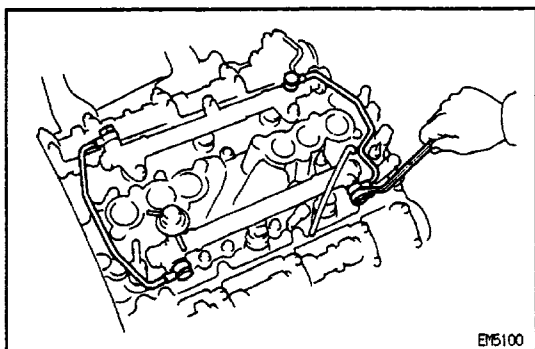
- (q) Remove the six bolts, two nuts, intake chamber and gasket.

8. REMOVE ENGINE WIRE

- (a) Disconnect the following connectors:
- Knock sensor connector
 - Cold start injector time switch connector
 - Engine coolant temp. sensor connector
 - Engine coolant temp. sender gauge connector
 - RH ground strap from No.3 camshaft bearing cap
 - Injector connectors

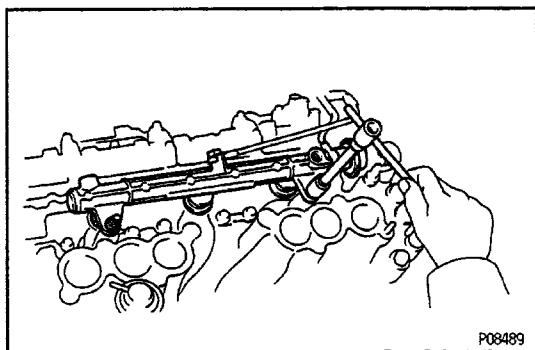


(b) Remove two bolts and engine wire.



9. REMOVE NO.2 AND NO.3 FUEL PIPES

Remove the four union bolts, No.2, No.3 fuel pipes and eight gaskets.



10. REMOVE DELIVERY PIPES AND INJECTORS

(a) Remove the four nuts holding the delivery pipes to the intake manifold.

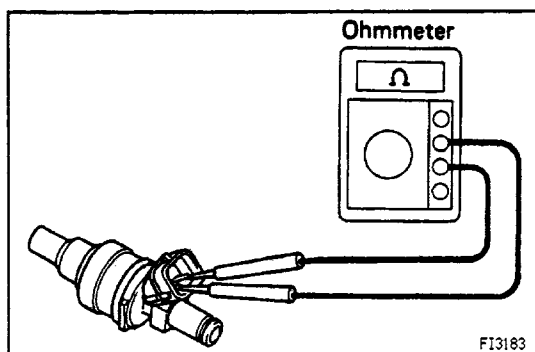
(b) Remove the the two delivery pipes and six injectors assemblies.

NOTICE: Be careful not to drop the injectors when removing the delivery pipes.

(c) Remove the four insulators, ten spacers and four O-rings from the cylinder head.

(d) Pull out the six injectors from the delivery pipes.

(e) Remove the O-ring and grommet from each injector.



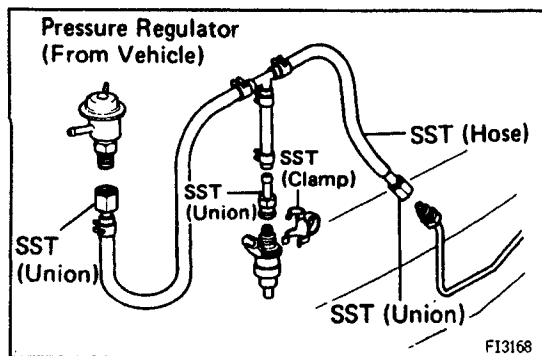
INJECTORS INSPECTION

1. MEASURE RESISTANCE OF INJECTOR

Using an ohmmeter, check the resistance of both terminals.

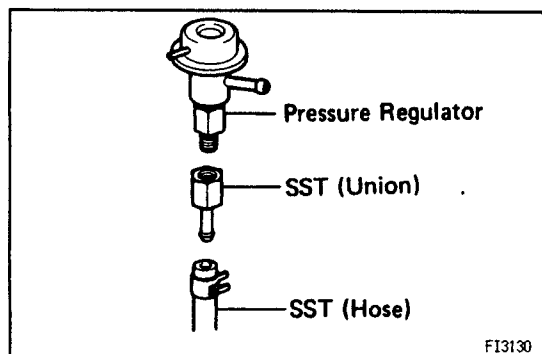
Resistance:

13.4–14.2 Ω

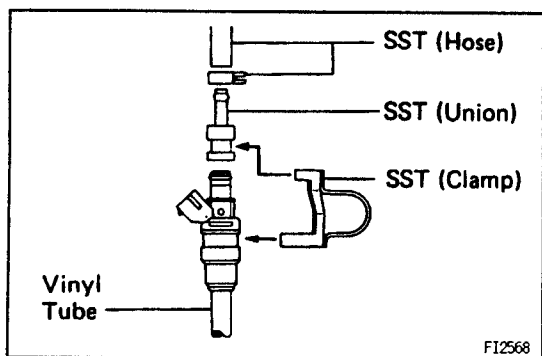


2. TEST INJECTION OF INJECTOR

CAUTION: Keep injectors clear of sparks during the test.

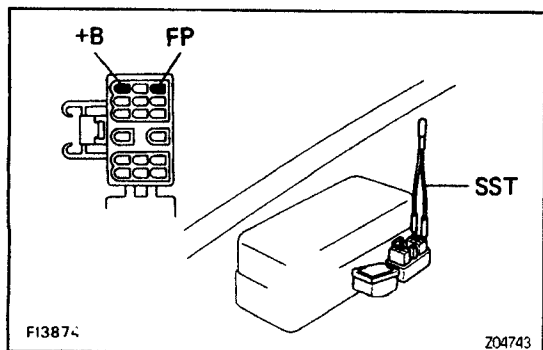


- (a) Disconnect the No.1 fuel hose from the fuel tube.
- (b) Connect SST (hose and union) to the fuel tube.
SST 09268-41045 (09268-52010)
- (c) Remove the fuel pressure regulator.
- (d) Connect SST (hose) to the fuel pressure regulator with SST (union).
SST 09268-41045 (09268-52010)

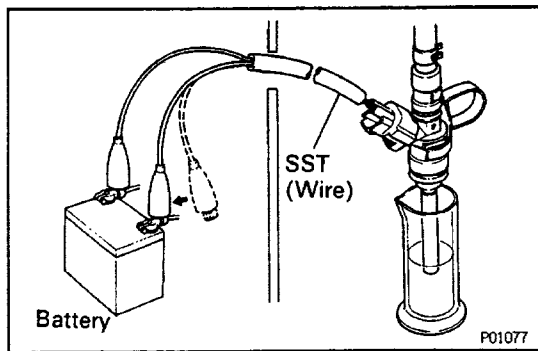


- (e) Install SST (union) to the injector and hold the injector and union with SST (clamp).
SST 09268-41045
- (f) Put the injector into the graduated cylinder.
HINT: Install a suitable vinyl tube onto the injector to prevent gasoline from splashing out.

- (g) Connect the battery negative cable.
- (h) Turn the ignition switch ON.
HINT: Do not start the engine.



- (i) Using SST, connect terminals FP and +B of the DLC1.
SST 09843-18020
HINT: Fuel pump will operate.



- (j) Connect SST (wire) to the injector and battery for 15 seconds and measure the injection volume with a graduated cylinder. Test each injector two or three times.

SST 09842-30070

Volume:

45 – 55 cm³/15 sec. (2.7 – 3.4 cu in.)

Difference between each injector:

6 cm³ (0.4 cu in.) or less

If not within specified volume, replace the injector.

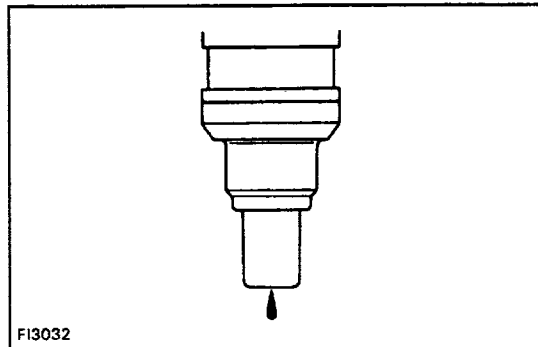
3. CHECK LEAKAGE

- (a) In the condition above, disconnect SST from the battery and check for fuel leakage from the injector nozzle.

SST 09842-30070

Fuel drop:

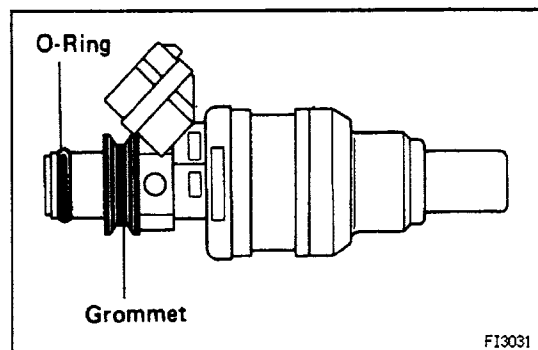
One drop or less per minute



- (b) Disconnect the battery negative cable.

- (c) Remove SST.

SST 09268-41045 and 09843-18020



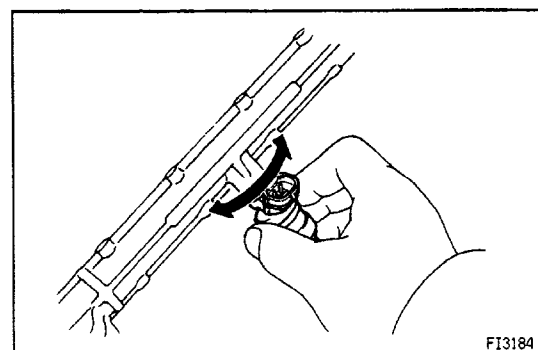
INJECTORS INSTALLATION

EG200-01

(See Components for Removal and Installation)

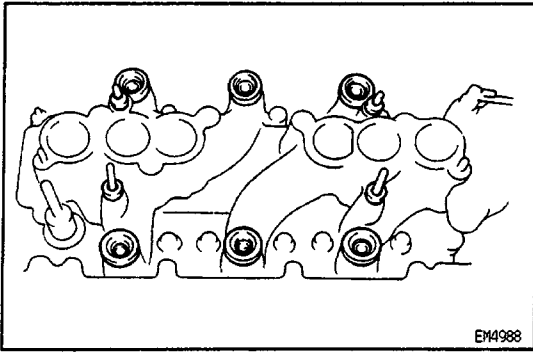
1. INSTALL INJECTORS AND DELIVERY PIPES

- (a) Install a new grommet to the injector.
 (b) Apply a light coat of gasoline to a new O-ring, and install it to the injector.

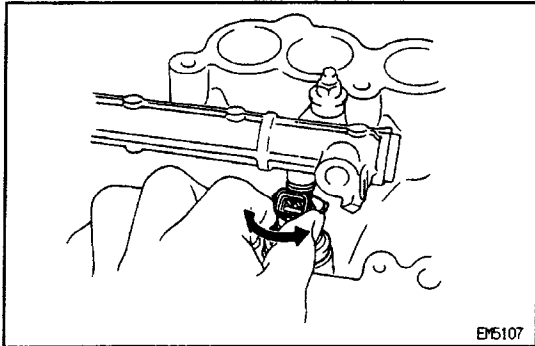


- (c) While turning the injector clockwise and counter-clockwise, push it to the delivery pipe. Install the eight injectors.

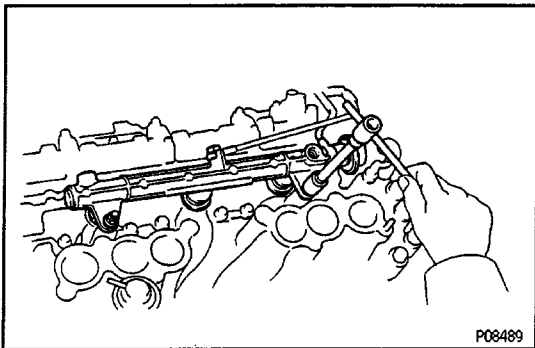
- (d) Position the injector connector outward.



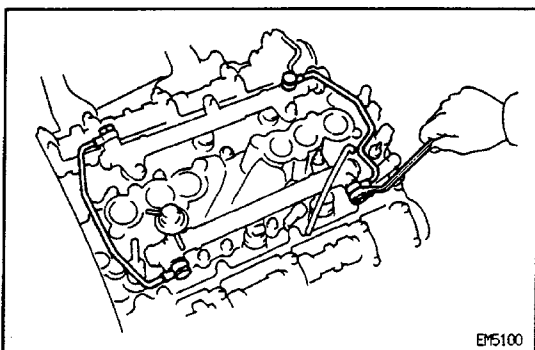
- (e) Install a O-ring to the spacer.
- (f) Place the six spacers and insulators into the injector holes.
- (g) Place the four spacers on the stud bolts.



- (h) Place the two delivery pipes together with the six injectors in position on the intake manifold.
 - (i) Temporarily install the four spacers and nuts.
 - (j) Check that the injectors rotate smoothly.
- HINT: If injectors do not rotate smoothly, the probable cause is incorrect installation of O-rings. Replace the O-rings.
- (k) Position the injector connector upward.

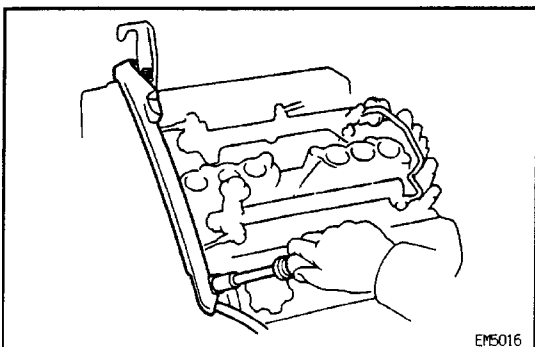


- (l) Tighten the four nuts holding the delivery pipes to the intake manifold.
- Torque: 13 N-m (130 kgf-cm, 9 ft-lbf)**
- (m) Install the No. 1 fuel pipe to the No.3 bearing cap with the bolt.



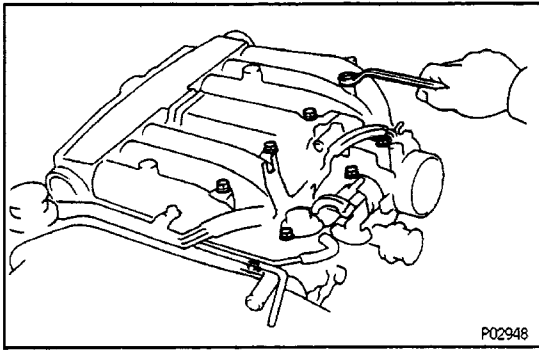
2. INSTALL NO.2 AND NO.3 FUEL PIPES

- (a) Install the No.2 fuel pipe with four new gaskets and two union bolts.
- Torque: 34 N-m (350 kgf-cm, 25 ft-lbf)**
- (b) Install the No.3 fuel pipe with four new gaskets and two union bolts.
- Torque: 34 N-m (350 kgf-cm, 25 ft-lbf)**



3. INSTALL ENGINE WIRE

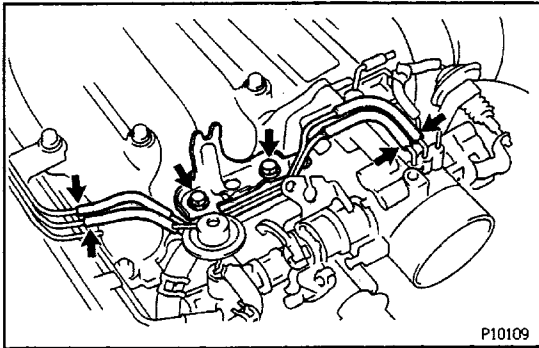
- (a) Install the engine wire with the two bolts.
- (b) Connect the following connectors:
 - Injector connectors
 - RH ground strap
 - Engine coolant temp. sender gauge connector
 - Engine coolant temp. sensor connector
 - Cold start injector time switch connector
 - Knock sensor connector



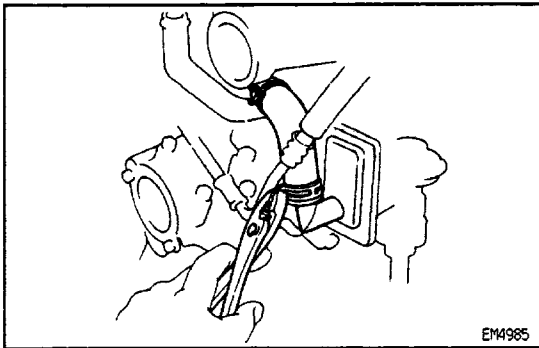
4. INSTALL AIR INTAKE CHAMBER

- (a) Position a new gasket on the intake manifold.
- (b) Install the intake chamber with the six bolts and two nuts.

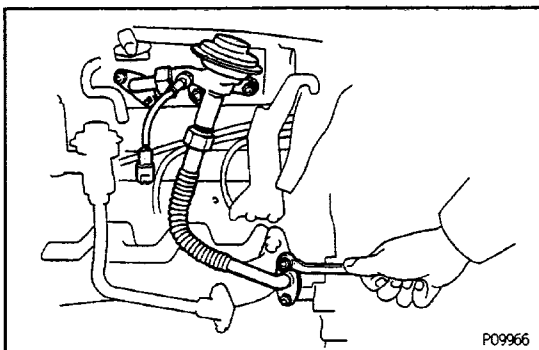
Torque: 18 N-m (185 kgf-cm, 13 ft-lbf)



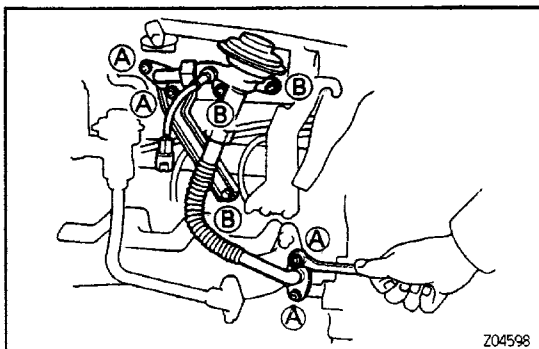
- (c) Install the accelerator cable bracket with the two bolts.
- (d) Connect the four vacuum hoses to the air pipes.



- (e) Connect the No.1 air hose to the reed valve.



- (f) Position two new gaskets to the intake chamber and RH exhaust manifold.
- (g) Install the EGR valve with the pipes to the intake chamber and RH exhaust manifold.
- (h) (C & C only)
Connect the two water by-pass hose to the EGR valve.



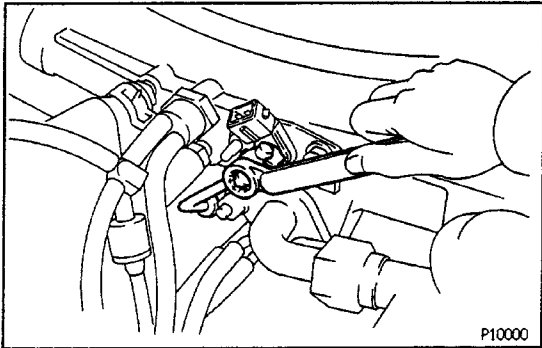
- (i) Install the air intake chamber stay and throttle cable bracket. Install and torque the six nuts and two bolts.

Torque:

(A) 29 N-m (300 kgf-cm, 22 ft-lbf)

(B) 18 N-m (185 kgf-cm, 13 ft-lbf)

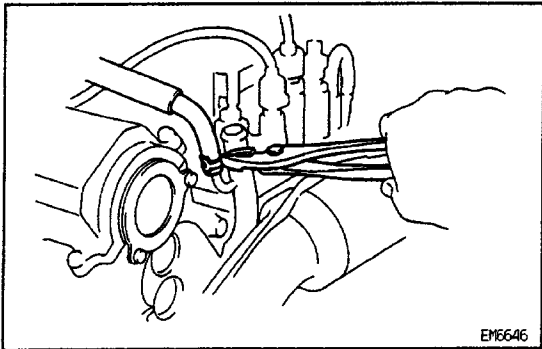
- (j) Connect the EGR hoses to the air pipe and EGR vacuum modulator.
- (k) (California and C & C)
Connect the EGR gas temp. sensor connector.
- (l) Connect the vacuum hose to the gas filter.



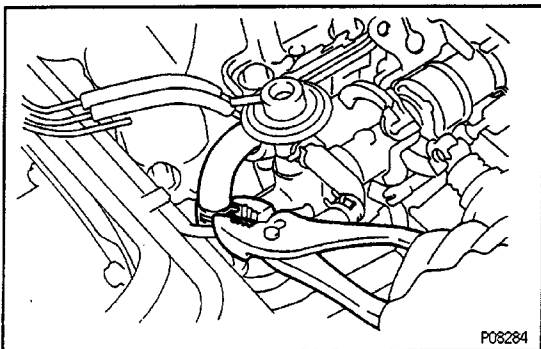
- (m) Connect the cold start injector tube with a new gasket and the union bolt.

Torque: 15 N-m (150 kgf-cm, 13 ft-lbf)

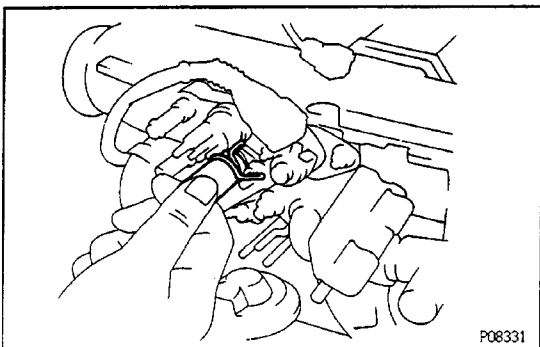
- (n) Connect the cold start injector connector.



- (o) Install the No.5 water by-pass hose to the water by-pass pipe.

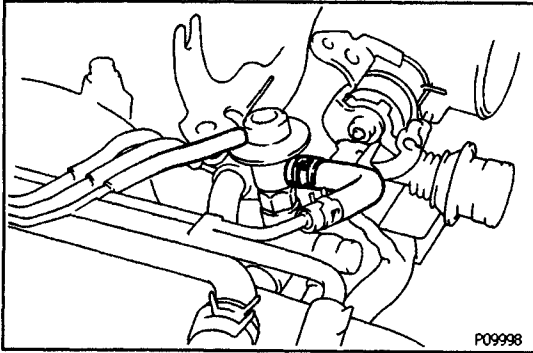


- (p) Connect the No.4 water by-pass hose to the union of the intake manifold.

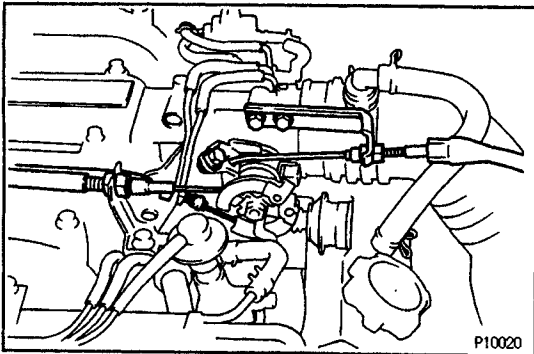


- (q) Connect the PCV hose to the union.

- (r) Connect the canister vacuum hose to the throttle body.
- (s) Connect the throttle position sensor connector.



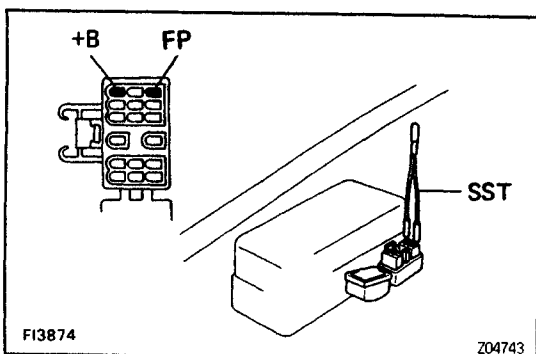
- 5. CONNECT FUEL RETURN HOSE**
- 6. CONNECT VACUUM SENSING HOSE**
- 7. CONNECT AIR CLEANER HOSE**



8. CONNECT FOLLOWING CABLES:

- (a) (A/T)
Throttle cable
- (b) Accelerator cable
- (c) (w/ Cruise control)
Actuator cable with bracket

- 9. REFILL WITH ENGINE COOLANT**
- 10. CONNECT CABLE TO NEGATIVE TERMINAL OF BATTERY**

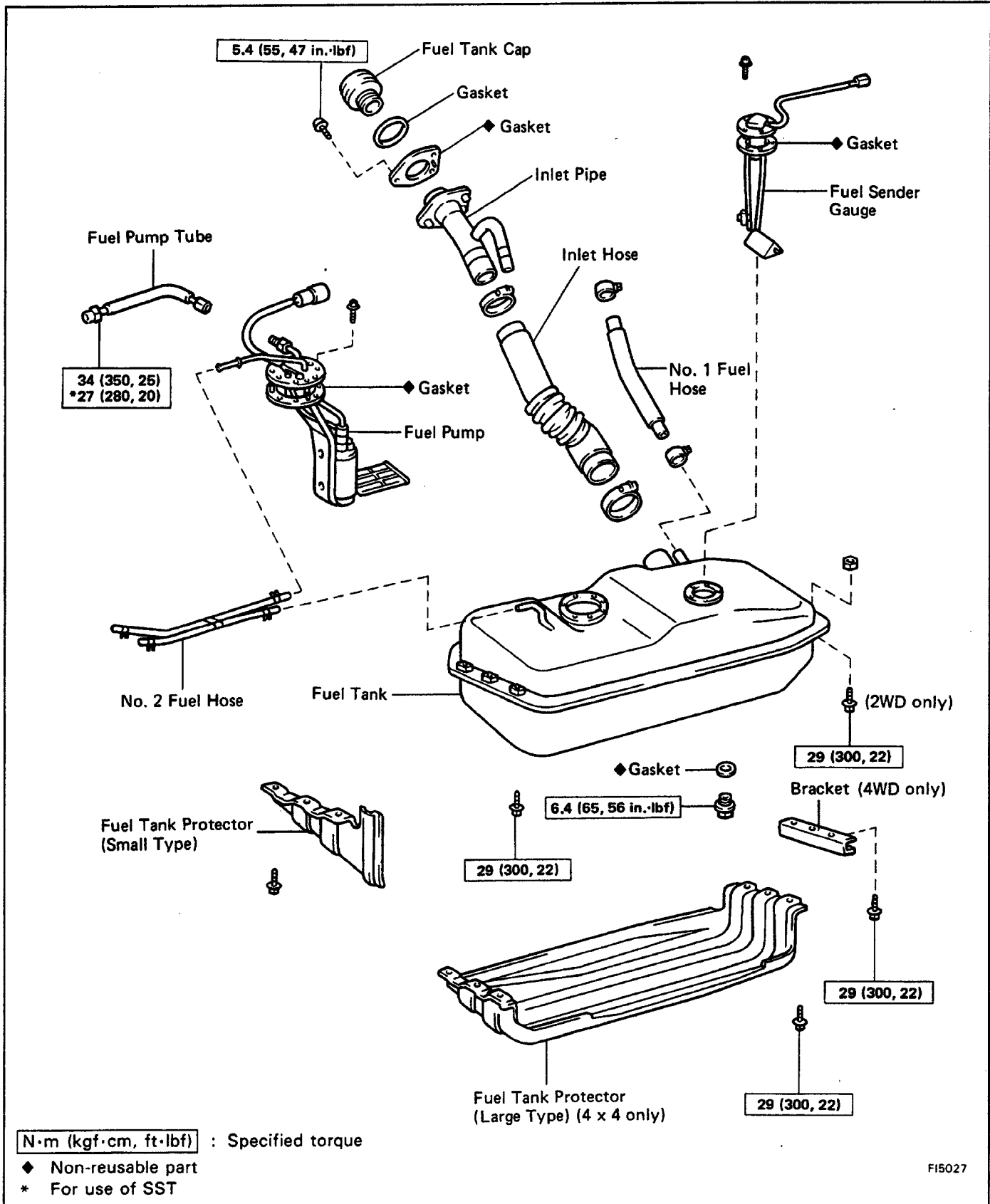


11. CHECK FOR FUEL LEAKAGE

- (a) With the ignition switch ON, use SST to connect terminals FP and +B of the DLC1.
SST 09843-18020
- (b) Check for fuel leakage.
- (c) Remove SST from the DLC1.

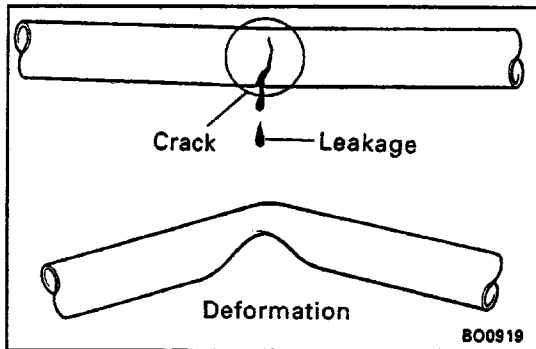
FUEL TANK AND LINE COMPONENTS

EG1H1-02



PRECAUTIONS

1. Always use new gaskets when replacing the fuel tank or component part.
2. Apply the proper torque to all parts to be tightened.

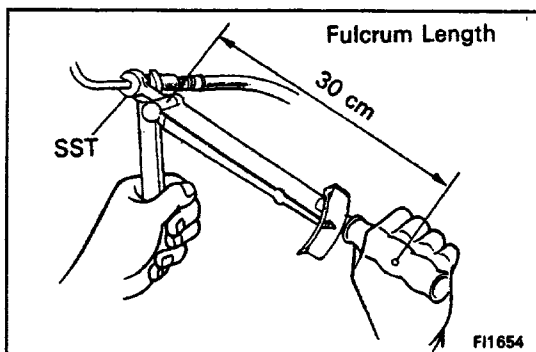
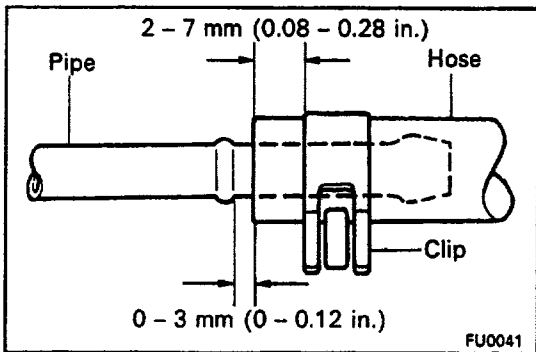


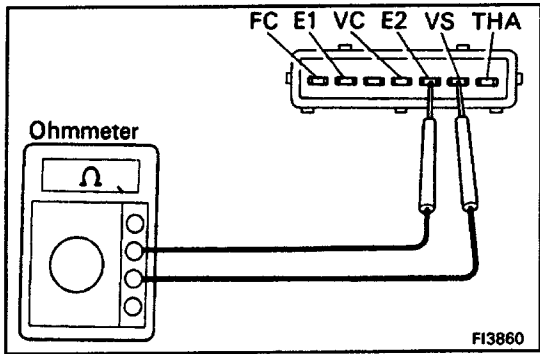
FUEL LINES AND CONNECTIONS INSPECTION

EG1H2-01

- (a) Inspect the fuel lines for cracks or leakage, and all connections for deformations.
- (b) Inspect the fuel tank vapor vent system hoses and connections for looseness, sharp bends or damage.
- (c) Inspect the fuel tank for deformations, cracks or fuel leakage.
- (d) Inspect the filler neck for damage or fuel leakage.
- (e) Hose and tube connections are as shown in the illustration.

If a problem is found, repair or replace the parts as necessary.

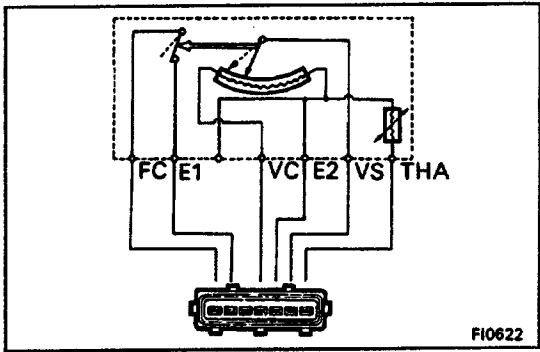




VOLUME AIR FLOW (VAF) METER ON-VEHICLE INSPECTION

MEASURE RESISTANCE OF VOLUME AIR FLOW METER

- (a) Disconnect the connector from the volume air flow meter.
- (b) Using an ohmmeter, measure the resistance between each terminal.

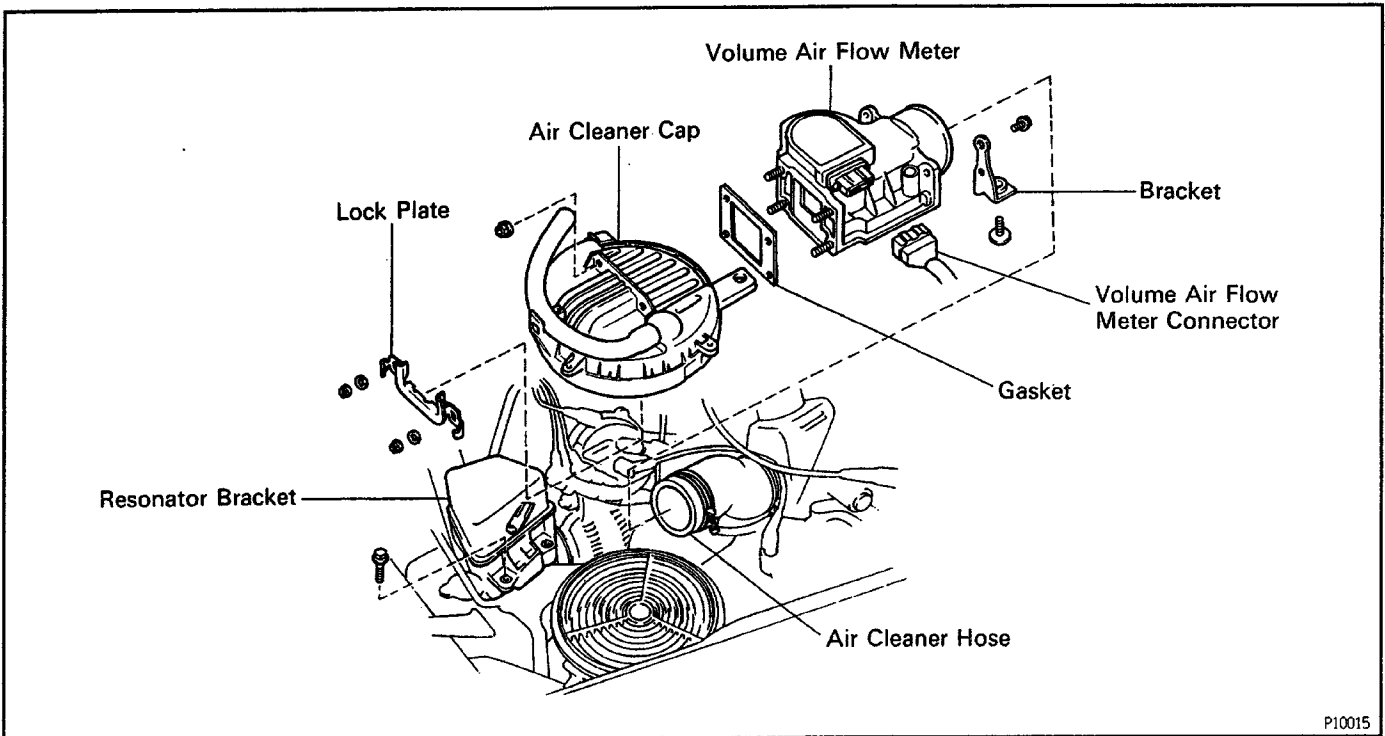


Between terminals	Resistance	Temperature
VS - e2	200-600C)	-
VC - e2	200-400C)	-
THA - E2	10-20kΩ	-20°C (4°F)
THA - E2	4 -7kΩ	0° C (32°F)
THA - E2	2 -3kΩ	20°C (68°F)
THA - E2	0.9 - 1.3 kΩ	46°C (104° F)
THA - E2	0.4-0.7kΩ	60°C (140°F)
FC-E1	Infinity	-

If not within specification, replace the volume air flow meter.

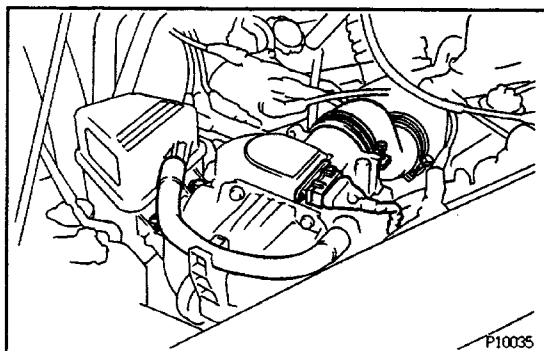
- (c) Reconnect the volume air flow meter connector.

COMPONENTS FOR REMOVAL AND INSTALLATION

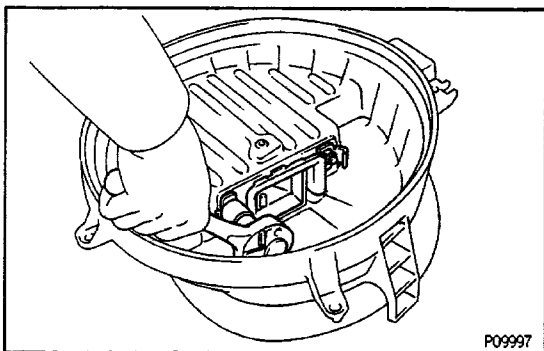


VOLUME AIR FLOW METER REMOVAL EG1MS-02

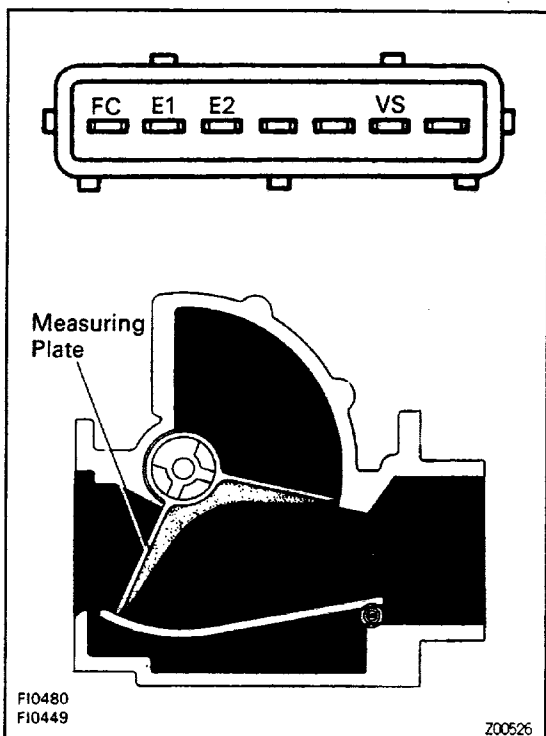
(See Components for Removal Installation)

1. DISCONNECT CABLE FROM NEGATIVE TERMINAL OF BATTERY**2. DISCONNECT RESONATOR BRACKET**

- (a) Disconnect the air hose.
- (b) Remove the two bolts and resonator bracket.

3. DISCONNECT VOLUME AIR FLOW METER CONNECTOR**4. DISCONNECT AIR CLEANER HOSE****5. REMOVE AIR CLEANER CAP WITH VOLUME AIR FLOW METER ASSEMBLY****6. REMOVE VOLUME AIR FLOW METER FROM AIR CLEANER CAP**

- (a) Remove the bolt, two screws and bracket.
- (b) Pry off the lock plate, and remove the four nuts and washers, lock plate, volume air flow meter and gasket.

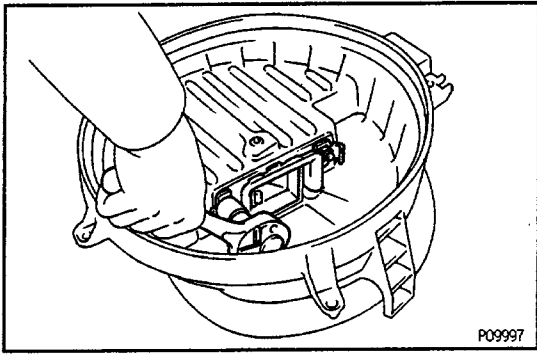
**VOLUME AIR FLOW METER INSPECTION
MEASURE RESISTANCE OF VOLUME AIR FLOW METER**

Using an ohmmeter, measure the resistance between each terminal by moving the measuring plate.

Between terminals	Resistance (Ω)	Measuring plate opening
E1 - FC	Infinity	Fully closed
E1 - FC	Zero	Other than closed position
E2 - VS	200-600	Fully closed
E2 - VS	20-1,200	Fully open

HINT: Resistance between terminals E2 and VS will change in a wave pattern as the measuring plate slowly opens.

If not within specification, replace the volume air flow meter.



VOLUME AIR FLOW METER INSTALLATION

(See Components for Removal and Installation)

1. INSTALL VOLUME AIR FLOW METER TO AIR CLEANER CAP

- (a) Install the volume air flow meter with the gasket, lock plate, washers and four nuts. Pry the lock plate on the nut.
- (b) Install the bracket with the bolt and two screws.

2. INSTALL AIR CLEANER CAP AND VOLUME AIR FLOW METER ASSEMBLY

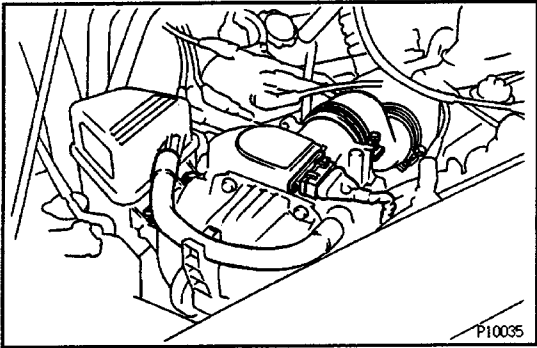
3. INSTALL AIR CLEANER HOSE

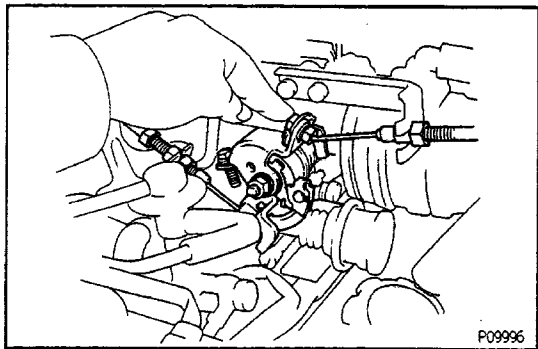
4. CONNECT VOLUME AIR FLOW METER CONNECTOR

5. INSTALL RESONATOR BRACKET

- (a) Install the resonator bracket with the two bolts.
- (b) Connect the air hose.

6. CONNECT CABLE TO NEGATIVE TERMINAL OF BATTERY



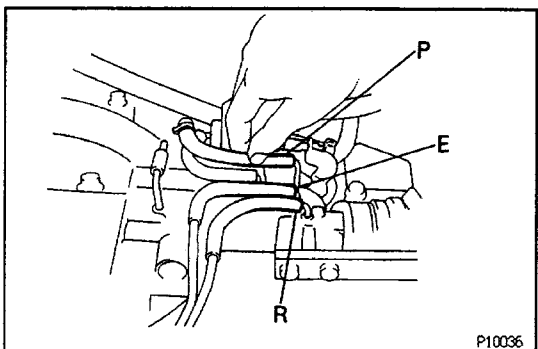


THROTTLE BODY ON-VEHICLE INSPECTION

EG1TX-02

1. INSPECT THROTTLE BODY

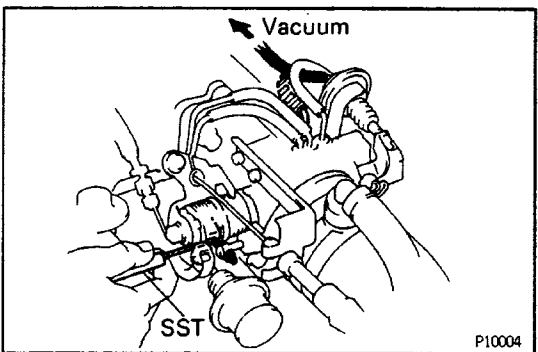
(a) Check that the throttle linkage moves smoothly.



(b) Check the vacuum at each port.

- Start the engine.
- Check the vacuum with your finger.

Port name	At idling	At 3,500 rpm
E	No vacuum	Vacuum
R	No vacuum	Vacuum
P	No vacuum	Vacuum



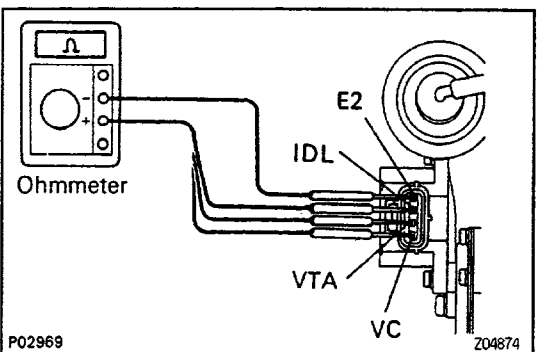
2. INSPECT THROTTLE POSITION SENSOR

(a) Apply vacuum to the throttle opener.

(b) Disconnect the sensor connector.

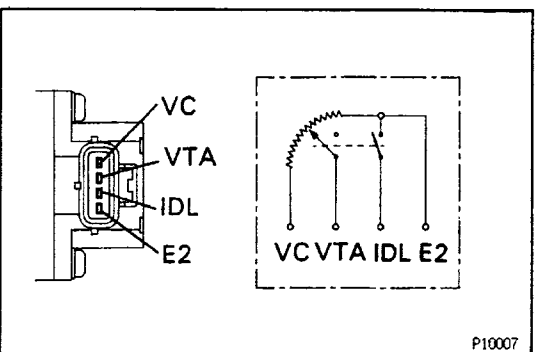
(c) Insert SST between the throttle stop screw and stop lever.

SST 09240-00020

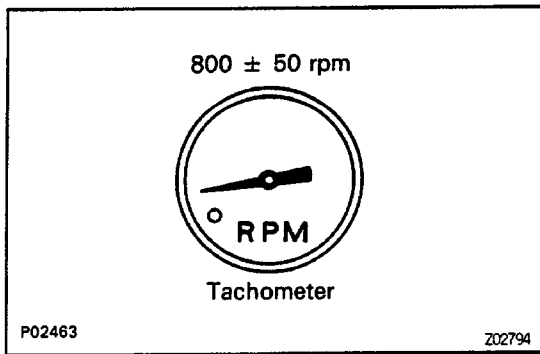


(d) Using an ohmmeter, measure the resistance between each terminal.

Clearance between lever and stop screw	Between terminals	Resistance
0 mm (0 in.)	VTA - E2	0.47 - 6.1 kΩ
0.50 mm (0.020 in.)	IDL - E2	2.3 kΩ or less
0.80 mm (0.031 in.)	IDL - E2	Infinity
Throttle valve fully open	VTA - E2	3.1 - 12.1 kΩ
-	VC - e2	3.9 - 9.0 kΩ



(e) Reconnect the sensor connector.



3. INSPECT DASHPOT (DP)

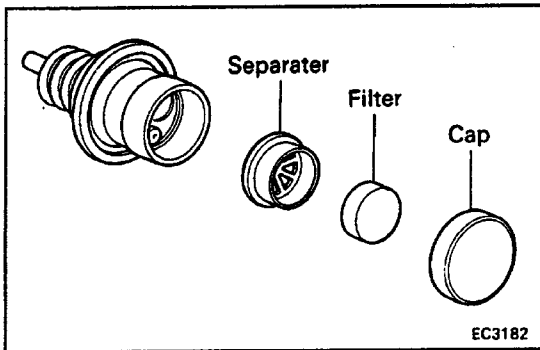
A. Warm up engine

Allow the engine to warm up to normal operating temperature.

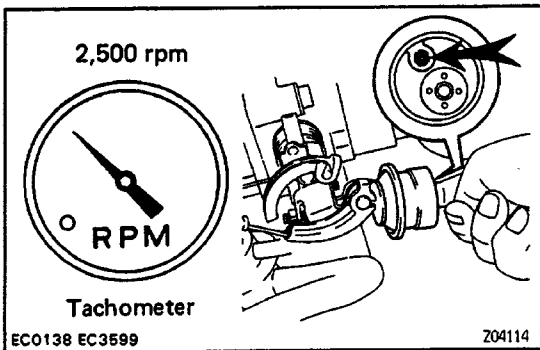
B. Check idle speed and adjust, if necessary (See page EG2-27)

Idle speed:

800 ± 50 rpm



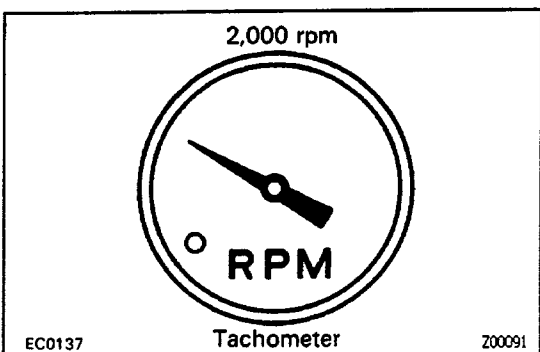
C. Remove cap, filter and separator from DP



D. Check and adjust DP setting speed

(a) Maintain engine speed at 2,500 rpm or more.

(b) Plug the VTV hole with your finger.

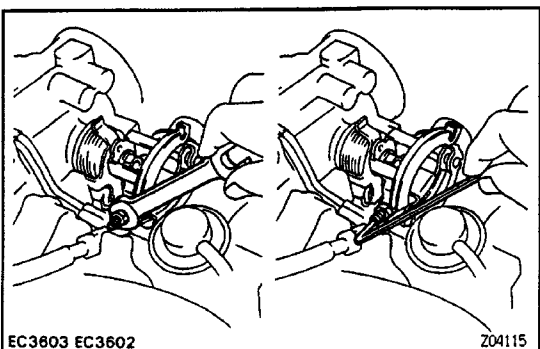


(c) Release the throttle valve.

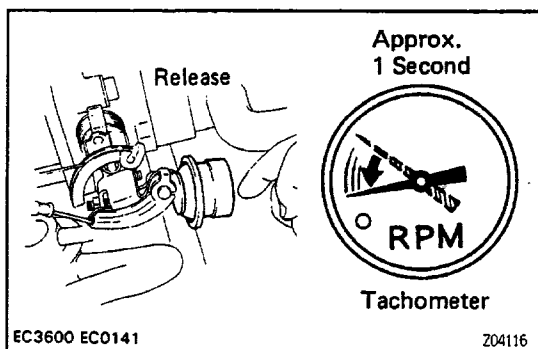
(d) Check the DP is set.

DP setting speed:

2,000 ± 200 rpm

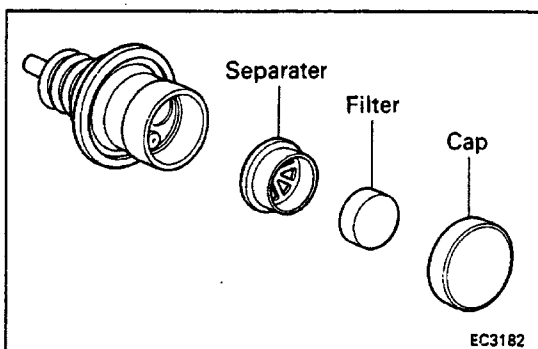


(e) If not as specified, adjust with the DP adjusting screw.



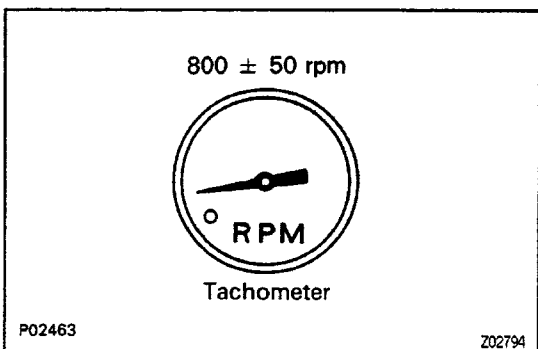
E. Check operation of VTV

- Set the DP setting speed in the same procedure as above: (a) to (c).
- Remove your finger from the hole and check that the engine returns to idle speed in approx. 1 second.



F. Reinstall DP separator, filter and cap

HINT: Install the filter with the coarser surface facing the atmospheric side (outward).



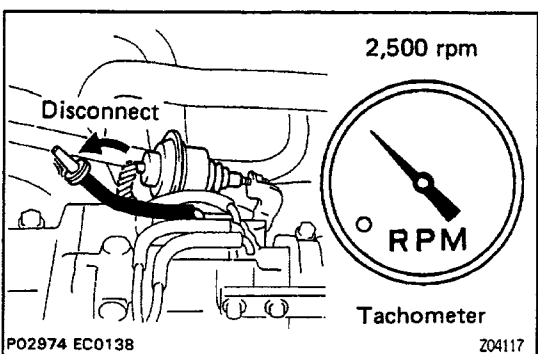
4. INSPECT THROTTLE OPENER

A. Warm up engine

Allow the engine to warm up to normal operating temperature.

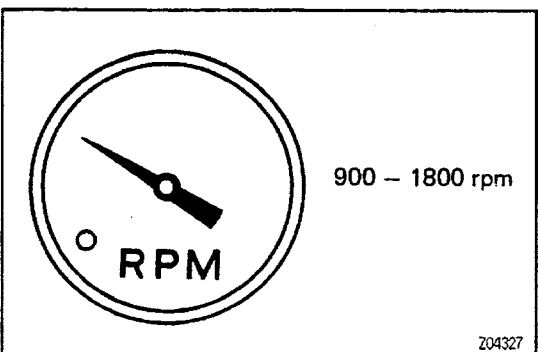
B. Check idle speed (See page [EG2-27](#))

Idle speed:
800 ± 50 rpm



C. Check throttle opener setting speed

- Disconnect the vacuum hose from the throttle opener, and plug the hose end.
- Maintain the engine at 2,500 rpm.

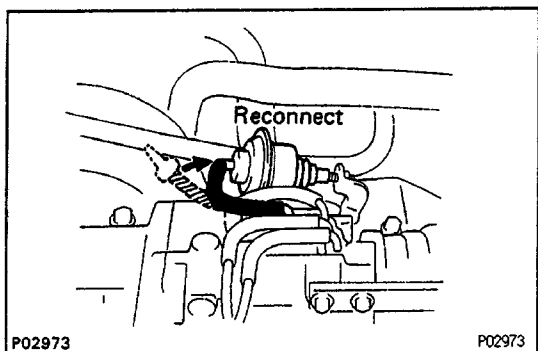


- Release the throttle valve.
- Check that the throttle opener is set.

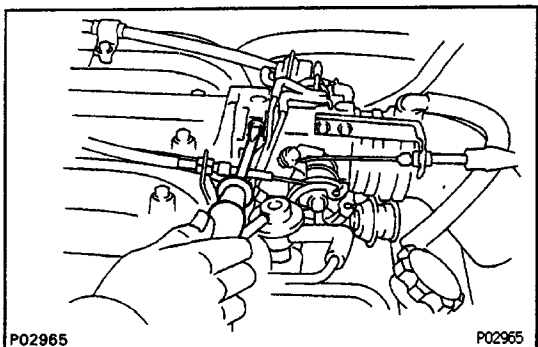
Throttle opener setting speed:

900 - 1,800 rpm

if not as specified, replace the throttle body assembly.



(e) Reconnect the vacuum hose to the throttle opener.



5. INSPECT AIR VALVE OPERATION

Check the engine speed by fully screwing in the idle speed adjusting screw.

At low temp.

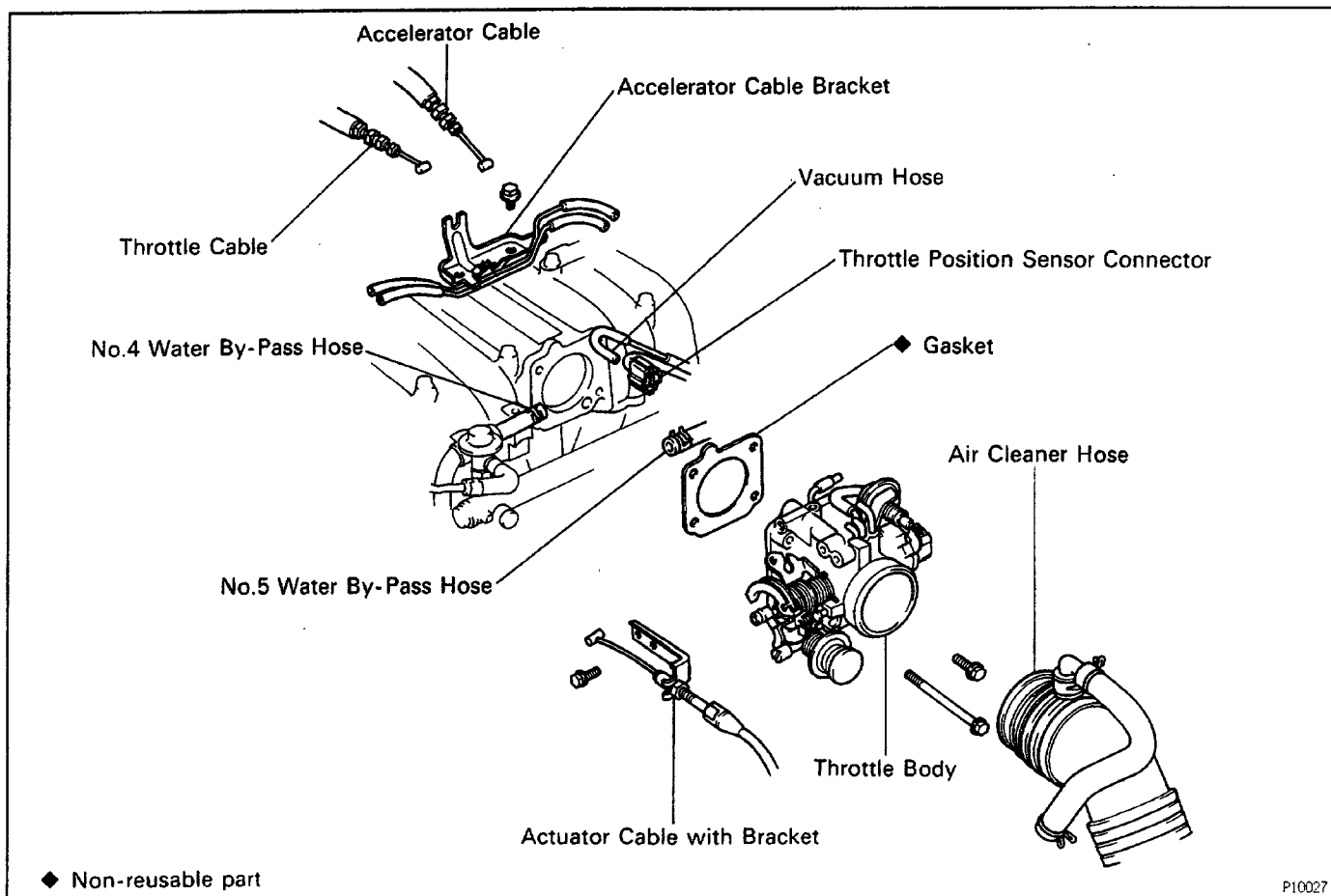
Engine coolant temp.: below 80°C (176°F)

When the idle speed adjusting screw is in, the engine speed should drop.

After warm-up

When the idle speed adjusting screw is in, the engine speed should drop below idle speed stop.

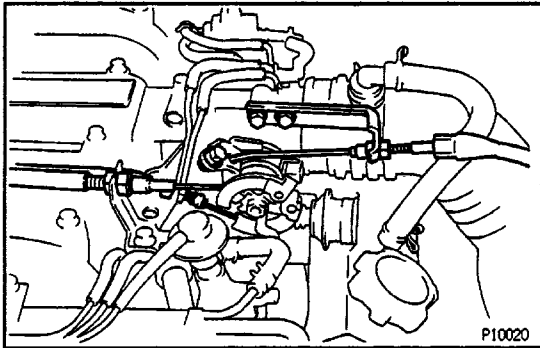
COMPONENTS FOR REMOVAL AND INSTALLATION



THROTTLE BODY REMOVAL

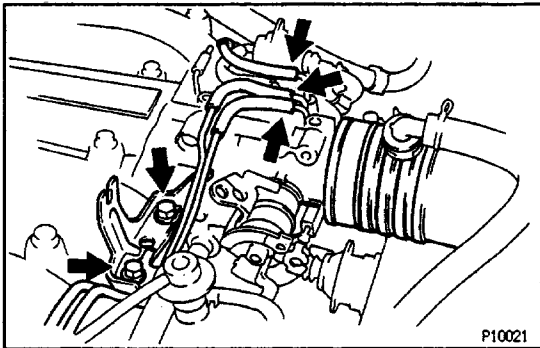
(See Components for Removal and Installation)

1. DISCONNECT CABLE FROM NEGATIVE TERMINAL OF BATTERY
2. DRAIN ENGINE COOLANT FROM THROTTLE BODY

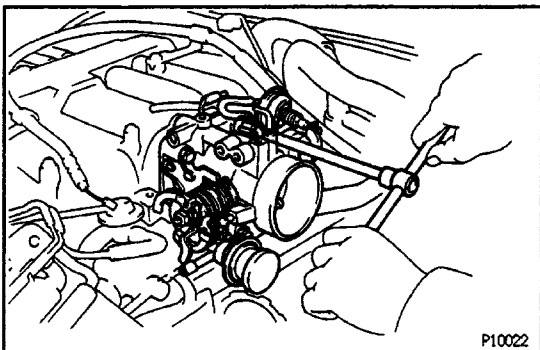


3. DISCONNECT FOLLOWING CABLES:

- (a) (w/ Cruise control)
Actuator cable with bracket
- (b) Accelerator cable
- (c) (A/T)
Throttle cable

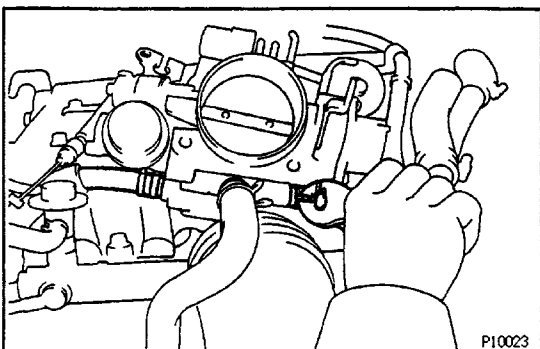


4. DISCONNECT AIR CLEANER HOSE
6. DISCONNECT VACUUM HOSES
6. REMOVE ACCELERATOR CABLE BRACKET
7. DISCONNECT THROTTLE POSITION SENSOR CONNECTOR

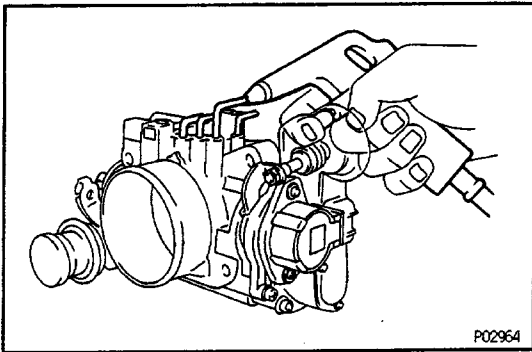


8. REMOVE THROTTLE BODY

- (a) Remove the four bolts, throttle body and the gasket.



- (b) Disconnect the No.4 and No.5 water by-pass hoses from the throttle body.

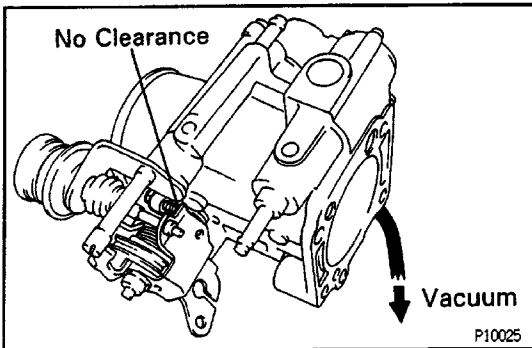


THROTTLE BODY INSPECTION

1. CLEAN THROTTLE BODY BEFORE INSPECTION

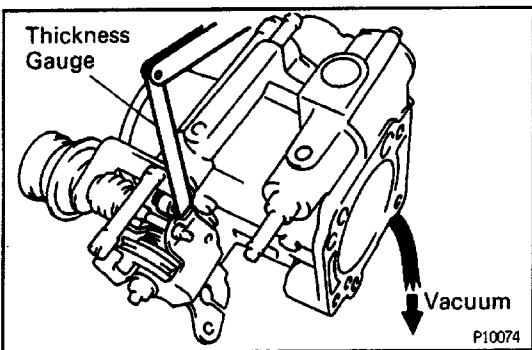
- (a) Wash and clean the cast parts with a soft brush and carburetor cleaner.
- (b) Using compressed air, clean all the passages and apertures in the throttle body.

NOTICE: To prevent deterioration, do not clean the throttle position sensor and dash pot.



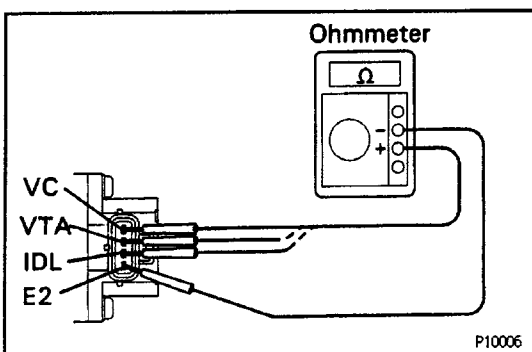
2. CHECK THROTTLE VALVE

- (a) Apply vacuum to the throttle opener.
- (6) Check that there is no clearance between the throttle stop screw and throttle lever when the throttle valve is fully closed.



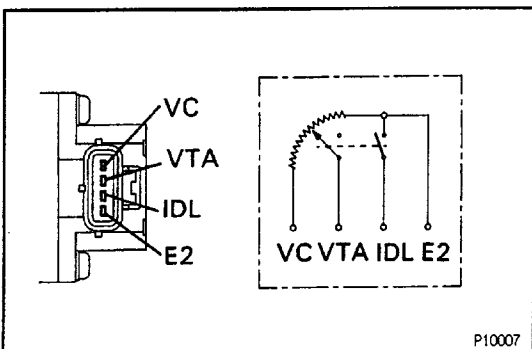
3. INSPECT THROTTLE POSITION SENSOR

- (a) Apply vacuum to the throttle opener.
- (b) Insert a thickness gauge between the throttle stop screw and stop lever.

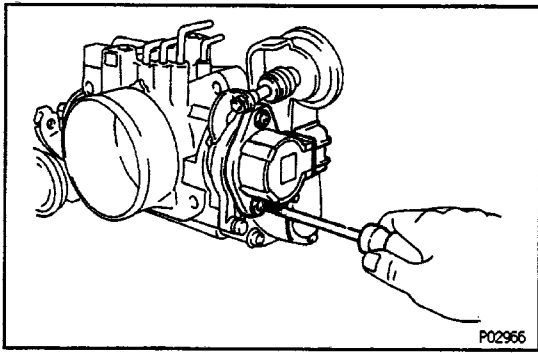


- (c) Using an ohmmeter, measure the resistance between each terminal.

Clearance between lever and stop screw	Between terminals	Resistance
0 mm (0 in.)	VTA - E2	0.47-6.1 kΩ
0.50 mm (0.020 in.)	IDL - E2	2.3 kΩ or less
0.80 mm (0.031 in.)	IDL - E2	Infinity
Throttle valve fully open	VTA - E2	3.1 - 12.1 kΩ
-	VC - E2	3.9 - 9.0 kΩ

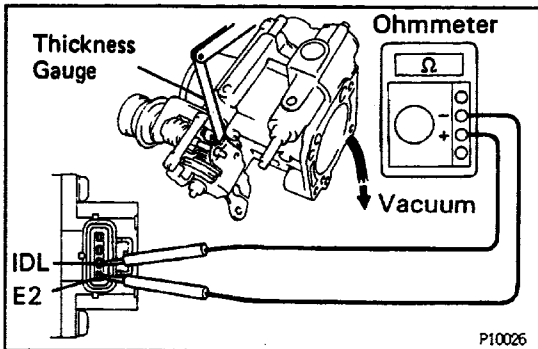


- (d) Reconnect the sensor connector.



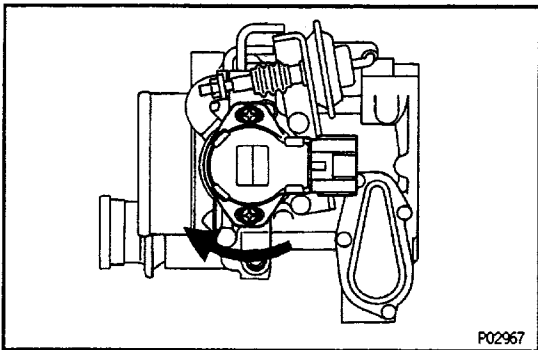
4. IF NECESSARY, ADJUST THROTTLE POSITION SENSOR

(a) Loosen the two screws of the sensor.

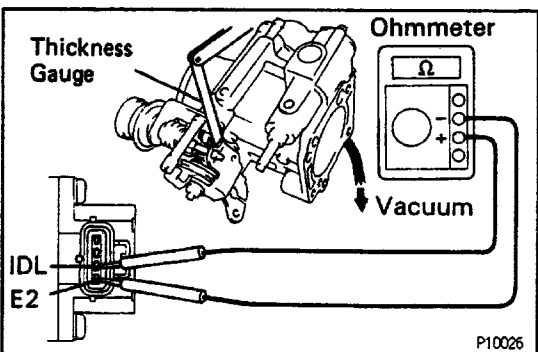


(b) Apply vacuum to the throttle opener.

(c) Insert a thickness gauge (0.60 mm or 0.024 in.) between the throttle stop screw and lever, and connect the ohmmeter to terminals IDL and E2.

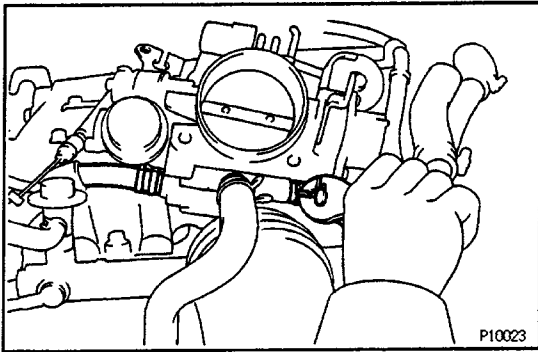


(d) Gradually turn the sensor clockwise until the ohmmeter deflects, and secure the sensor with the two screws.



(e) Using a thickness gauge, recheck the continuity between terminals IDL and E2.

Clearance between lever and stop screw	Continuity (IDL-E2)
0.50 mm (0.020 in.)	Continuity
0.80 mm (0.031 in.)	No continuity

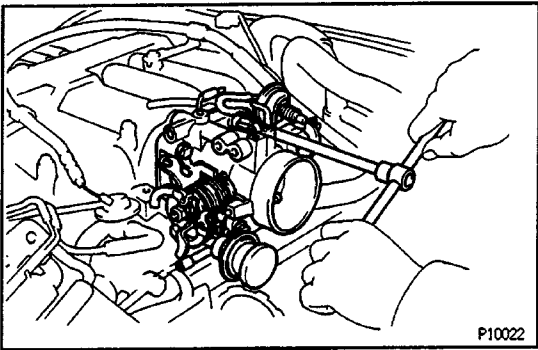


THROTTLE BODY INSTALLATION

(See Components for Removal and Installation)

1. INSTALL THROTTLE BODY

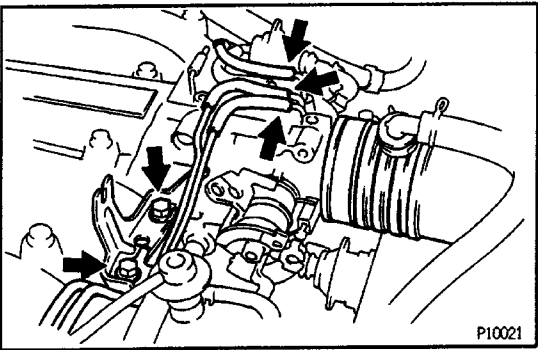
- (a) Connect the No.4 and No.5 water by-pass hoses to throttle body.



- (b) Place a new gasket and install the throttle body with the four bolts.

Torque: 18 N-m (185 kgf-cm, 13 ft-lbf)

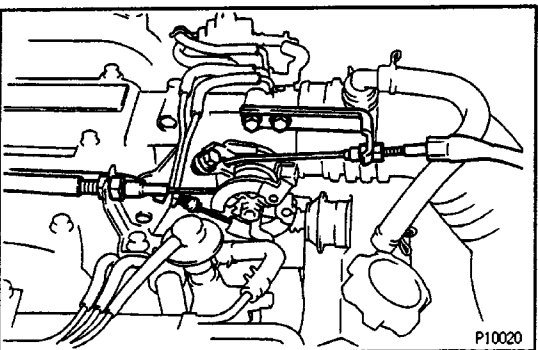
2. CONNECT THROTTLE POSITION SENSOR CONNECTOR



3. INSTALL ACCELERATOR CABLE BRACKET

4. CONNECT VACUUM HOSES

5. CONNECT AIR CLEANER HOSE



6. CONNECT FOLLOWING CABLES:

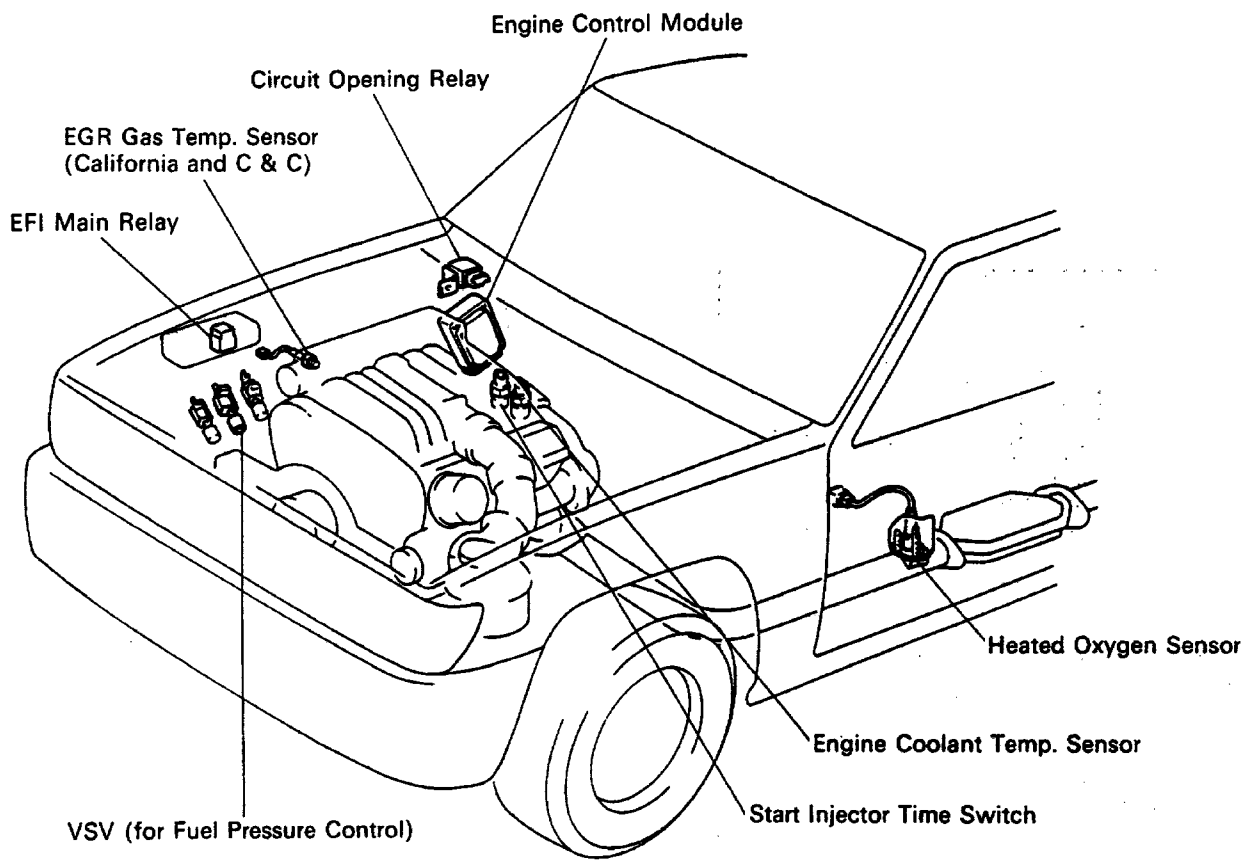
- (a) (A/T)
Throttle cable
- (b) Accelerator cable
- (c) (w/ Cruise control)
Actuator cable with bracket

7. REFILL WITH ENGINE COOLANT

8. CONNECT CABLE TO NEGATIVE TERMINAL OF BATTERY

ELECTRONIC PARTS LOCATION

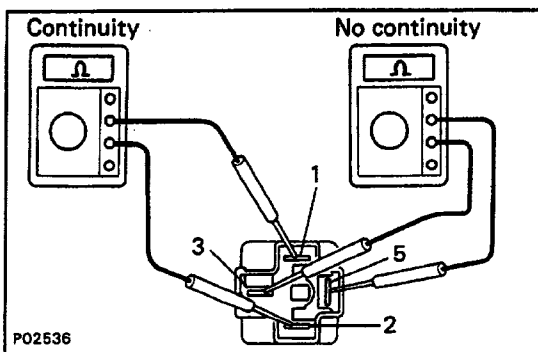
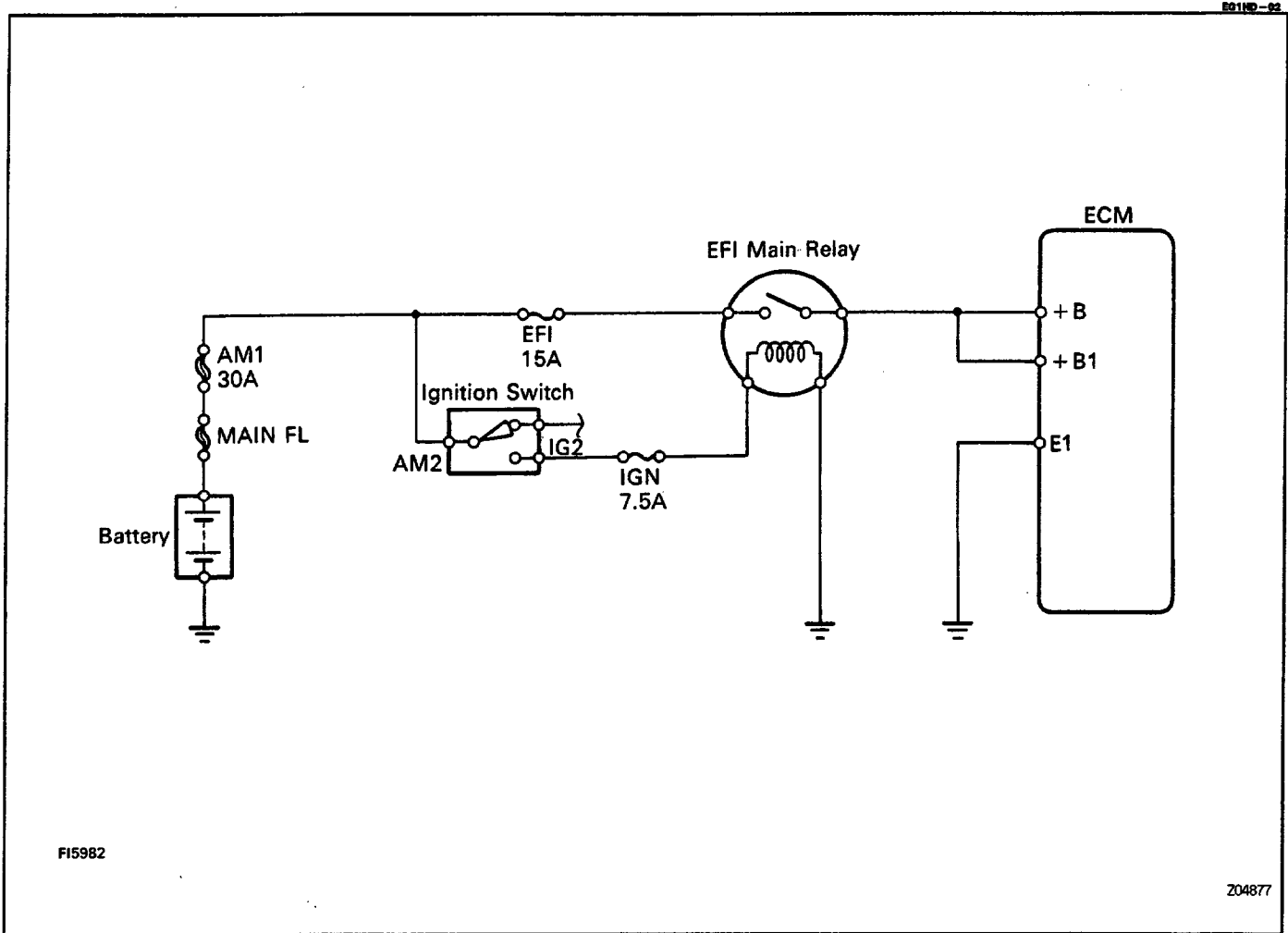
ENGINE-02



P10029

Z04713

EFI MAIN RELAY



EFI MAIN RELAY INSPECTION

1. INSPECT RELAY CONTINUITY

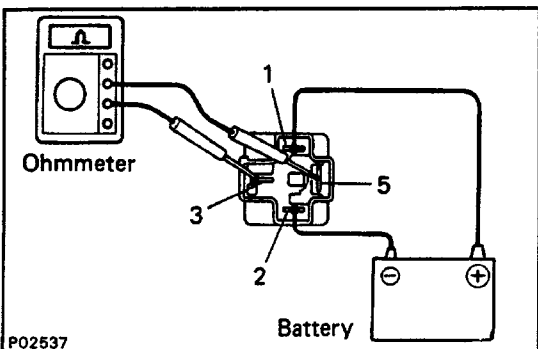
- (a) Using an ohmmeter, check that there is continuity between terminals 1 and 2.
- (b) Check that there is no continuity between terminals 3 and 5.
- (c) Check that there is no continuity between terminals 2 and 5.

If continuity is not as specified, replace the relay.

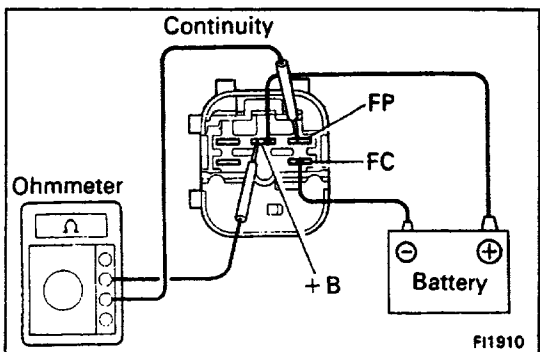
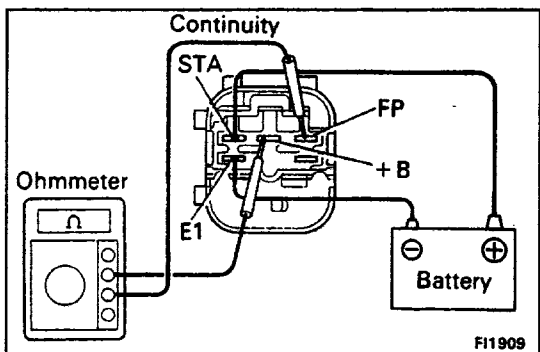
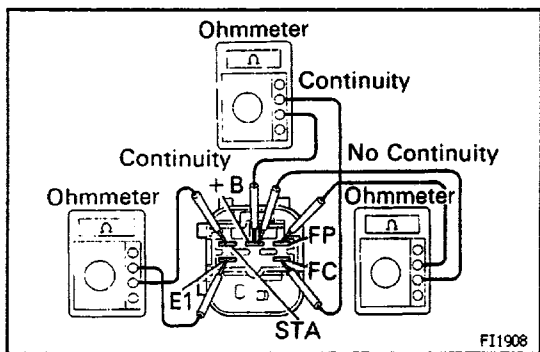
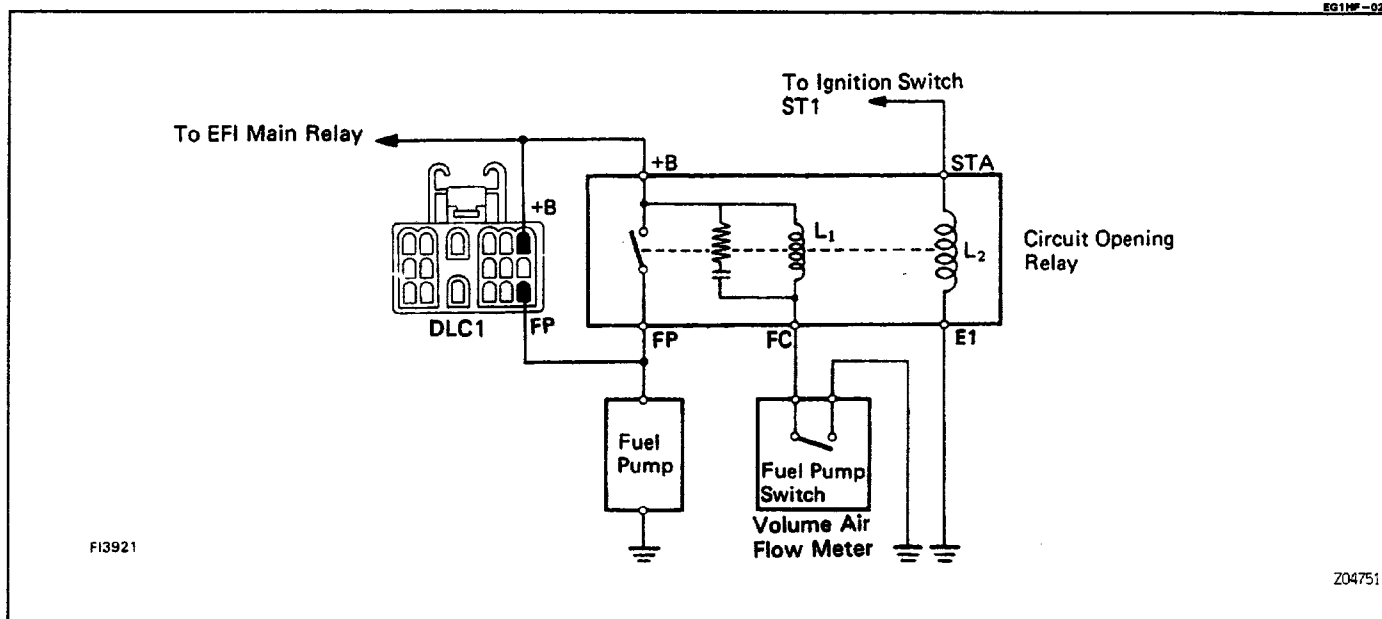
2. INSPECT RELAY OPERATION

- (a) Apply battery voltage across terminals 1 and 2.
- (b) Using an ohmmeter, check that there is continuity between terminals 3 and 5.

If operation is not as specified, replace the relay.



CIRCUIT OPENING RELAY



CIRCUIT OPENING RELAY INSPECTION

1. INSPECT RELAY CONTINUITY

- (a) Using an ohmmeter, check that there is continuity between terminals STA and E1.
- (b) Check that there is continuity between terminals +B and FC.
- (c) Check that there is no continuity between terminals +B and FP.

If continuity is not as specified, replace the relay.

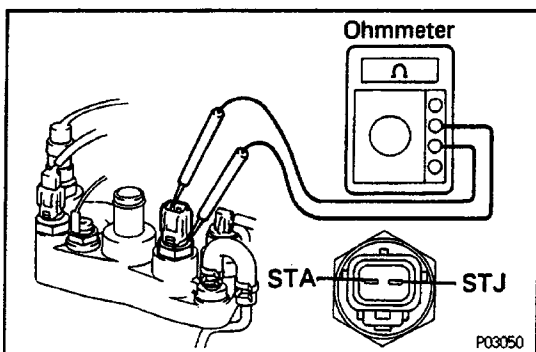
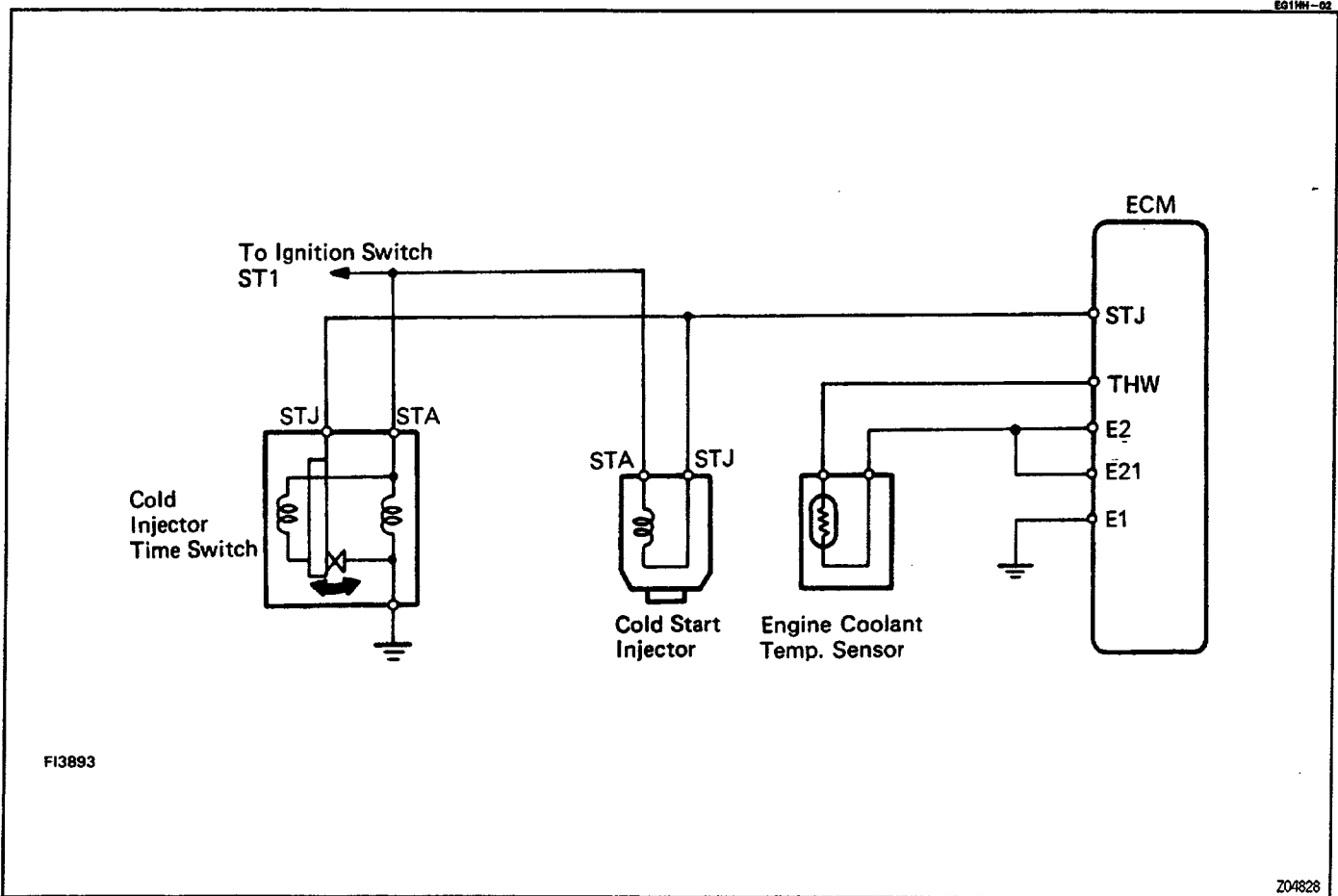
2. INSPECT RELAY OPERATION

- (a) Apply battery voltage across terminals STA and E1.
- (b) Using an ohmmeter, check that there is continuity between terminals +B and FP.

- (c) Apply battery voltage across terminals +B and FC.
- (d) Check that there is continuity between terminals +13 and FP.

If operation is not as specified, replace the relay.

COLD START INJECTOR TIME SWITCH



COLD START INJECTOR TIME SWITCH INSPECTION

MEASURE RESISTANCE OF COLD START INJECTOR TIME SWITCH

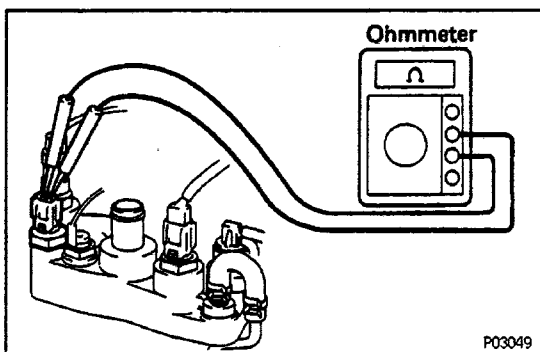
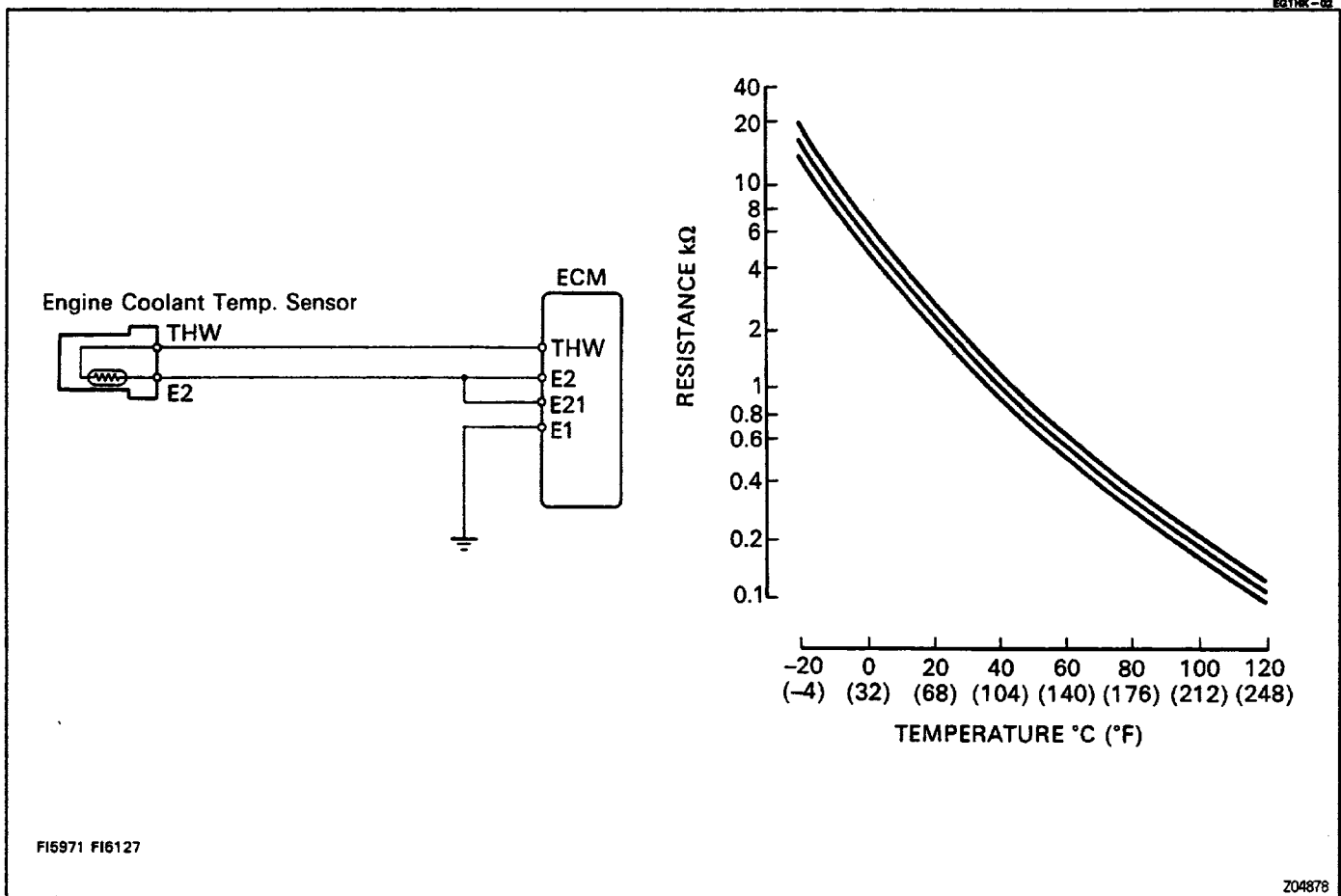
- (a) Disconnect the connector.
- (b) Using an ohmmeter, measure the resistance between terminals.

Between terminals	Resistance (Ω)	Engine coolant temperature
STA-STJ	30-50	Below 10• C (50• F)
STA-STJ	70-90	Above 25• C (77• F)
STA-Ground	30-90	-

If the resistance is not as specified, replace the switch.

- (c) Reconnect the connector.

ENGINE COOLANT TEMPERATURE (ECT) SENSOR



ENGINE COOLANT TEMP. SENSOR INSPECTION

MEASURE RESISTANCE OF ENGINE COOLANT TEMP. SENSOR

- (a) Disconnect the connector.
- (b) Using an ohmmeter, measure the resistance between terminals.

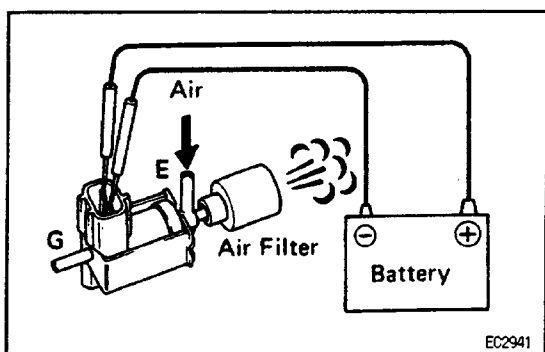
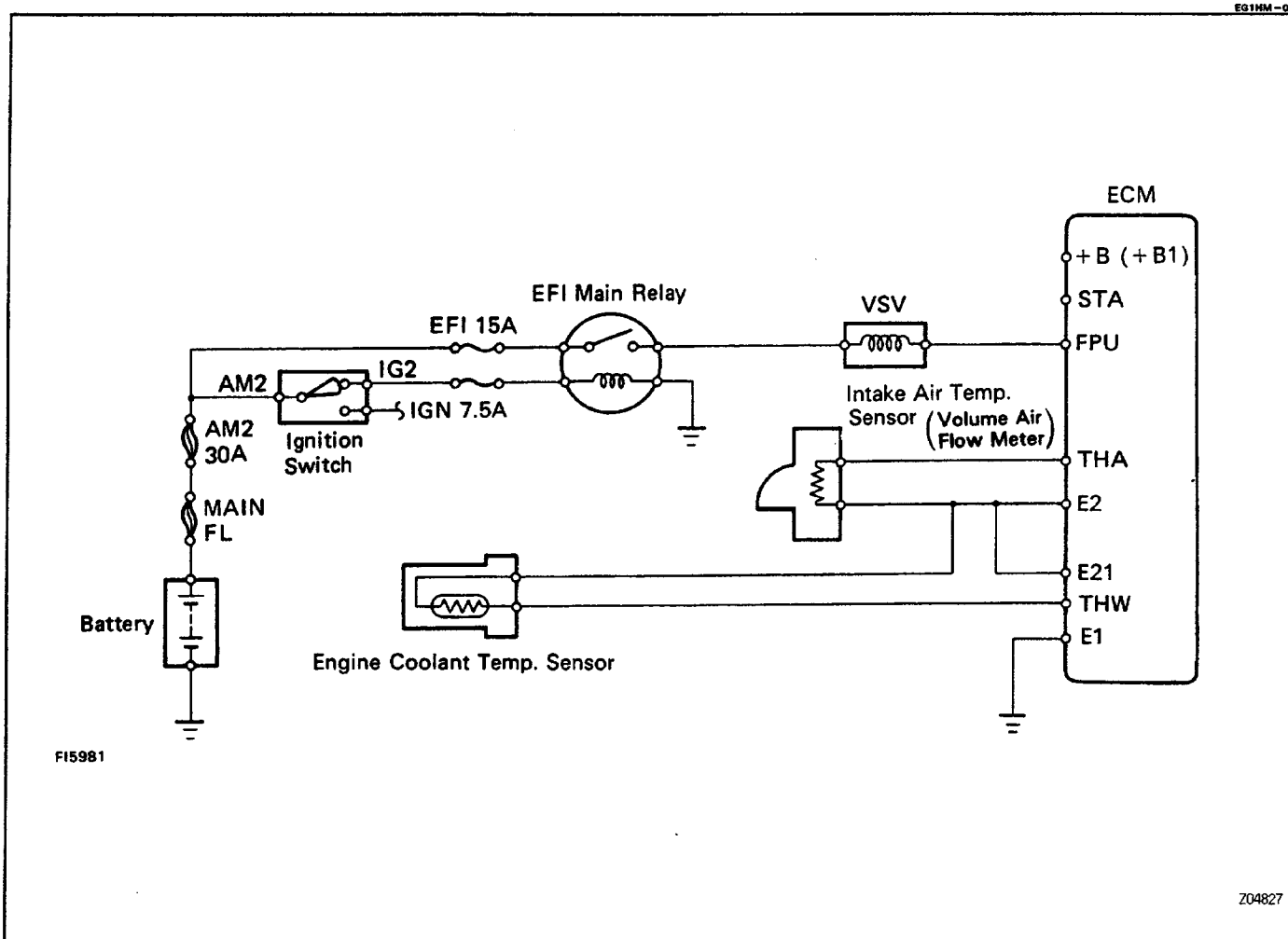
Resistance:

Refer to the chart above.

If the resistance is not as specified, replace the sensor.

- (c) Reconnect the connector.

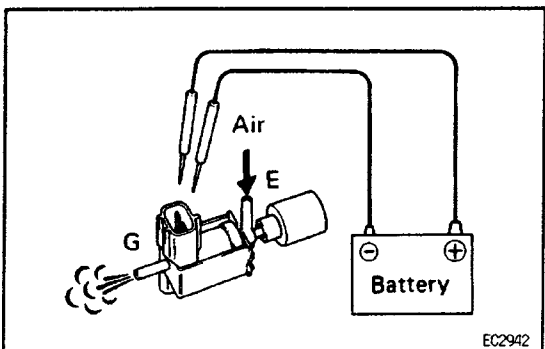
FUEL PRESSURE CONTROL SYSTEM



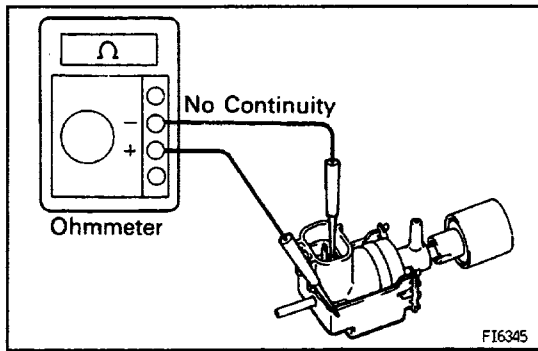
FUEL PRESSURE VSV INSPECTION

1. CHECK VSV OPERATION

- (a) Connect the VSV terminals to the battery terminals as illustrated.
- (b) Blow into pipe E and check that air comes out of air filter.

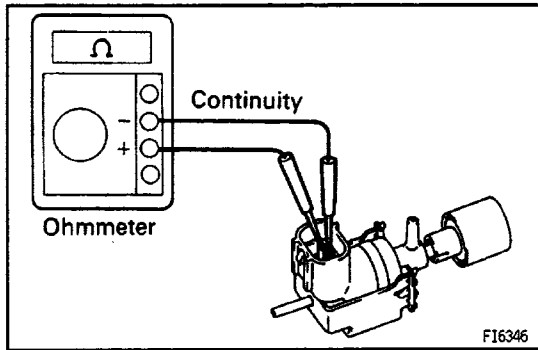


- (c) Disconnect the battery.
 - (d) Blow into pipe E and check that air comes out of pipe G.
- If a problem is found, repair or replace the VSV.



2. CHECK FOR SHORT CIRCUIT

Using an ohmmeter, check that there is no continuity between each terminal and the VSV body. If there is continuity, replace the VSV.



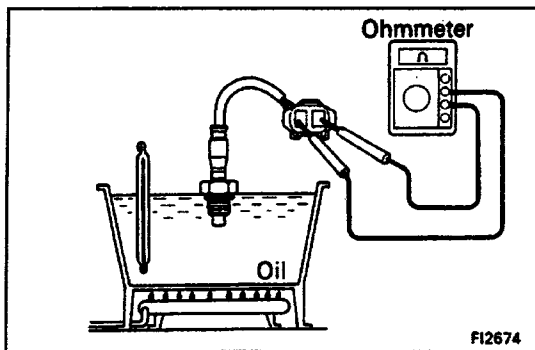
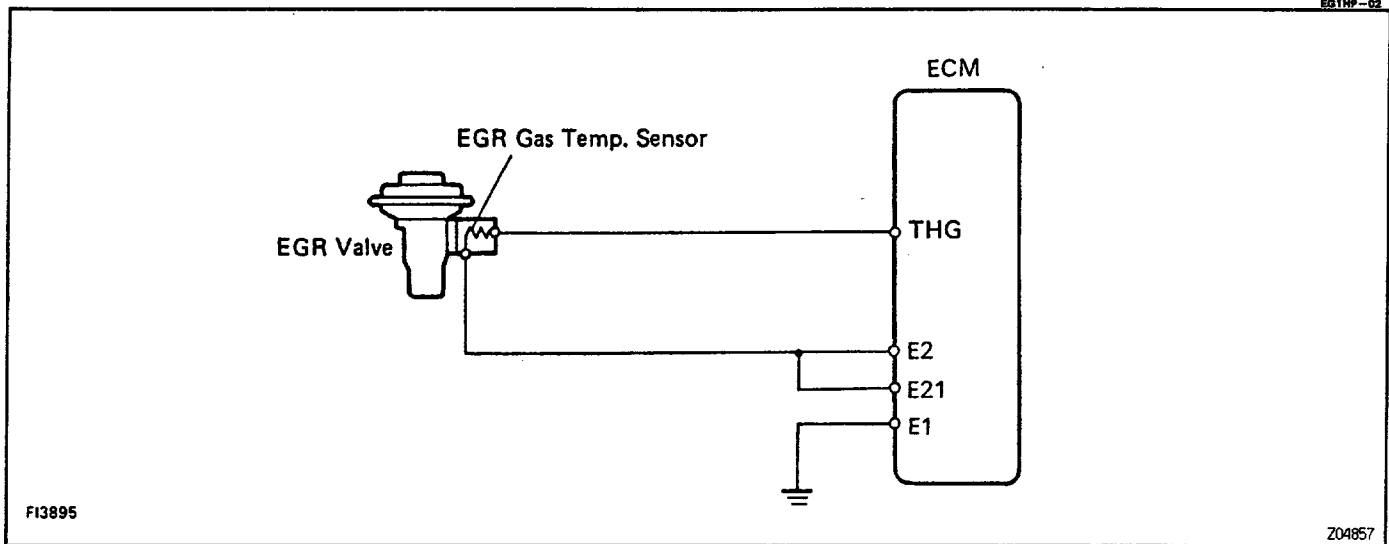
3. CHECK FOR OPEN CIRCUIT

Using an ohmmeter, measure the resistance between both terminals as illustrated.

Specified resistance:

30 – 50 Ω at 20• C (68• F)

EGR GAS TEMPERATURE SENSOR (California and C & C)



EGR GAS TEMP. SENSOR INSPECTION MEASURE RESISTANCE OF EGR GAS TEMP. SENSOR

Using an ohmmeter, measure the resistance between both terminals.

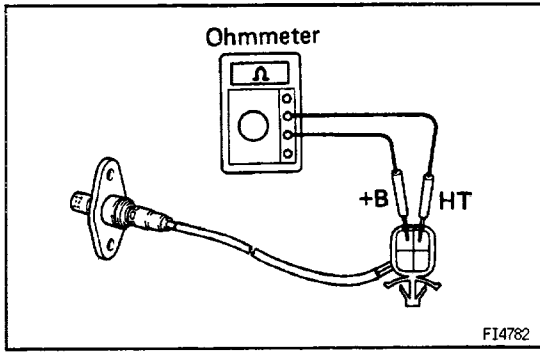
Resistance:

69 – 89 k Ω 50•C (122•F)

11 – 15 k Ω 100•C (212•F)

2 – 4 k Ω 150•C (302•F)

If the resistance is not as specified, replace the sensor.



HEATED OXYGEN SENSOR

HEATED OXYGEN SENSOR INSPECTION

1. INSPECT HEATER RESISTANCE OF HEATED OXYGEN SENSOR

Using an ohmmeter, measure the resistance between the terminals +B and HT.

Resistance:

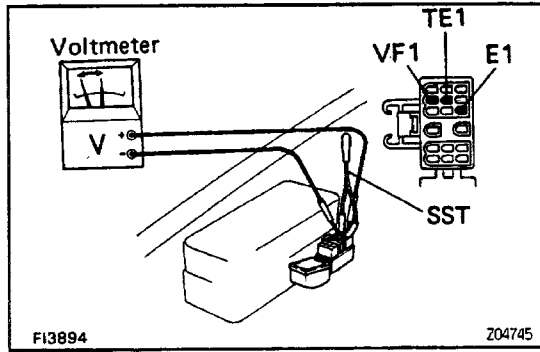
California 2WD only

4.5 – 6.0 Ω at 23°C (73°F)

Others

5.1 – 6.3 Ω at 20°C (68°F)

If the resistance is not as specified, replace the heated oxygen sensor.



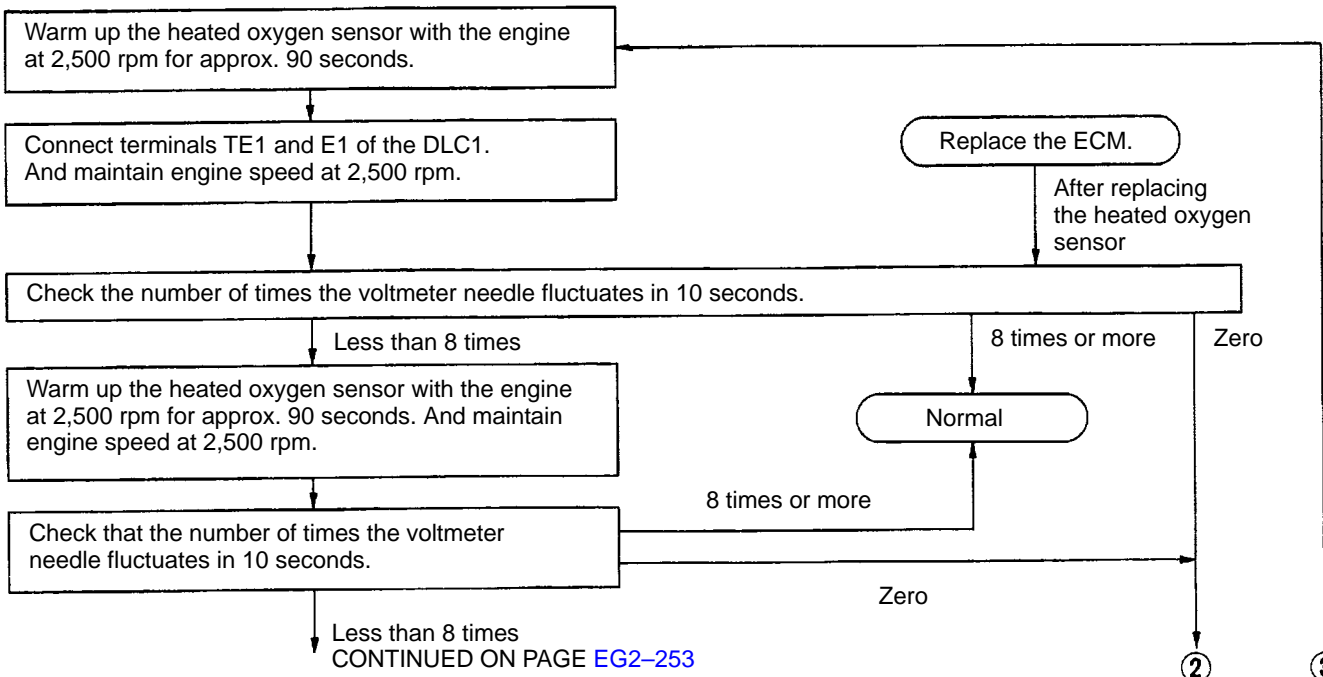
2. INSPECTION OF FEEDBACK VOLTAGE (VF1)

(a) Warm up the engine.

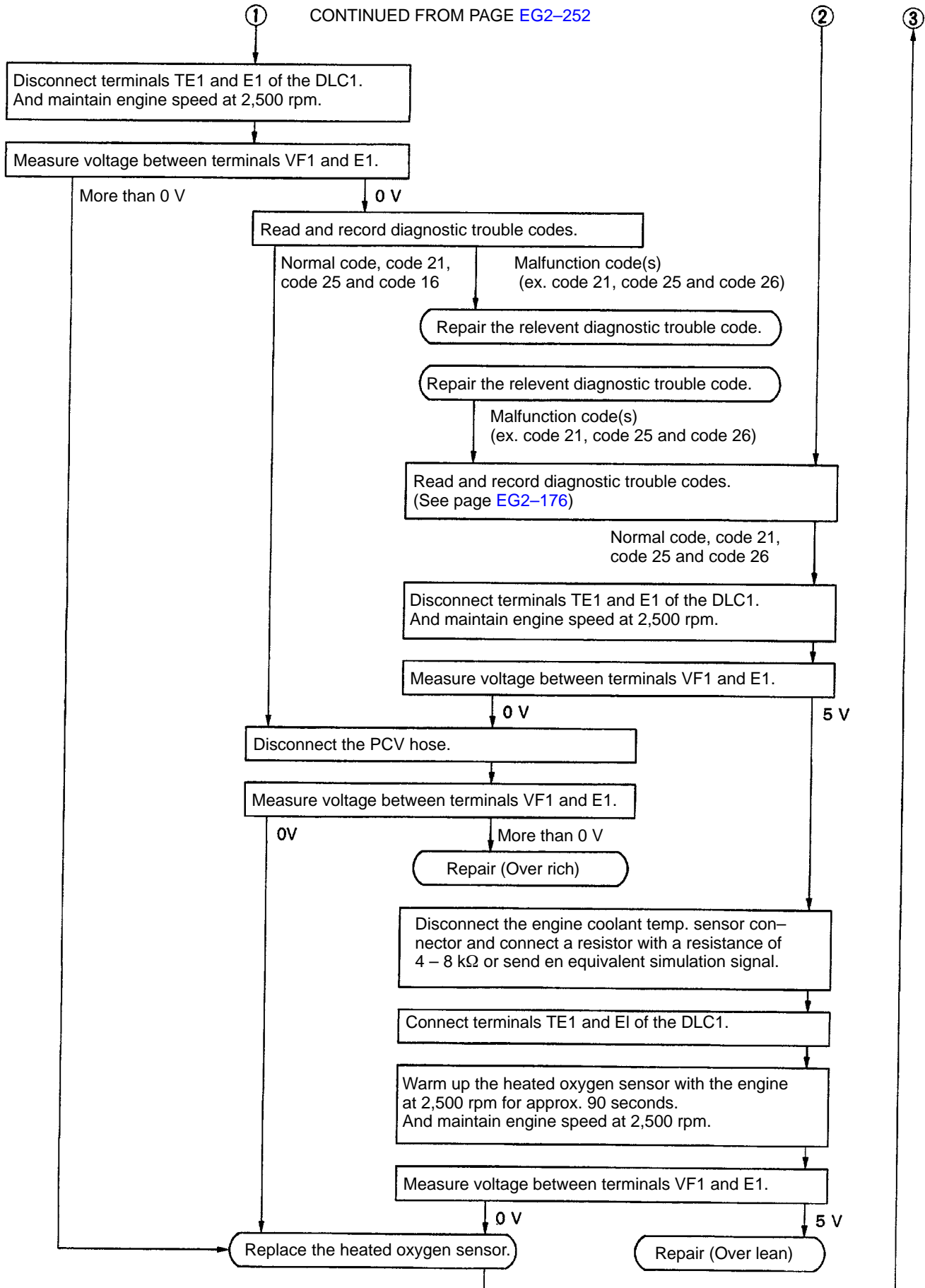
(b) Connect the voltmeter to the DLC1 terminals VF1 and E1.

HINT: Use SST when connecting between terminals TE1 and E1 of the DLC1.

SST 09843-18020



CONTINUED FROM PAGE EG2-252

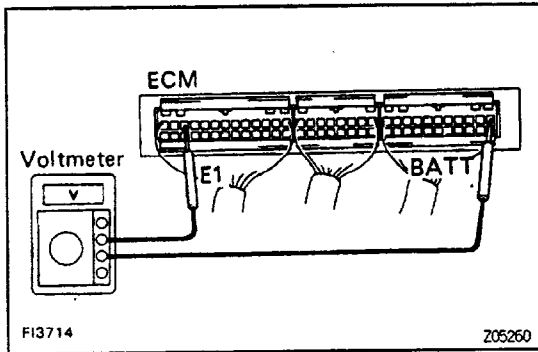


ENGINE CONTROL MODULE (ECM)

ENGINE CONTROL MODULE (ECM)

INSPECTION

HINT: The MFI circuit can be checked by measuring the voltage and resistance at the wiring connectors of the engine control module (ECM).



1. INSPECT VOLTAGE OF ENGINE CONTROL MODULE (ECM)

Check the voltage between each terminal of the wiring connectors.

- Turn the ignition switch ON.
- Measure the voltage at each terminal.

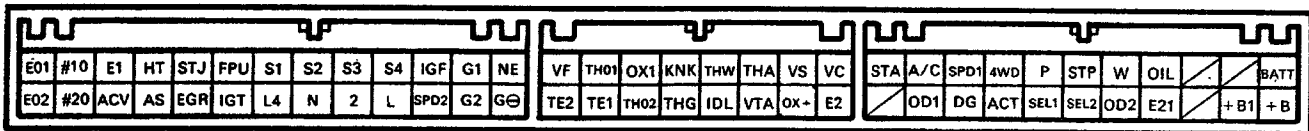
HINT:

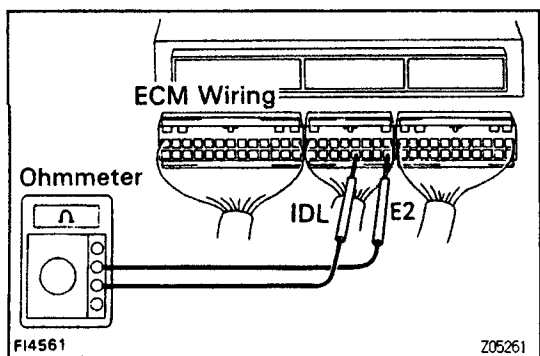
- Perform all voltage measurements with the connectors connected.
- Verify that the battery voltage is 11 V or more when the ignition switch is ON.

Engine Control Module (ECM) Wiring Connectors Voltage

Terminals	Condition		STD voltage
BATT - E1	-		9 - 14
+ B - E1	Ignition SW ON		
+ B1 - E1			
IDL - E2 (E21)	Ignition SW ON	Throttle valve open	9 - 14
VC - E2 (E21)		-	4.5 - 5.5
VTA - E2 (E21)		Throttle valve fully closed (Throttle opener must be cancelled first)	0.3 - 0.8
		Throttle valve fully open	3.2 - 4.9
VC - E2 (E21)	-		4.5 - 5.5
VS - E2 (E21)	Ignition SW ON	Measuring plate fully closed	4.0 - 5.5
		Measuring plate fully open	0.2 - 0.5
	Idling	2.3 - 2.8	
	3,000 rpm	0.3 - 1.0	
THA - E2 (E21)	Ignition SW ON	Intake air temperature 20°C (68°F)	0.5 - 3.4
THW - E2 (E21)	Ignition SW ON	Engine coolant temperature 80°C (176°F)	0.2 - 1.0
STA - E1	Cranking		6 V or more
#10 - E01 #20 - E02	Ignition SW ON		9 - 14
IGT - E1	Idling		Pulse generation
W - E1	No trouble (malfunction indicator lamp off) and engine running)		9 - 14
STJ - E1	Cranking	Engine coolant temperature 80°C (176°F)	6 V or more
STP - E1	Stop light switch ON		7.5 - 14

Engine Control Module (ECM) Terminals





2. INSPECT RESISTANCE OF ENGINE CONTROL MODULE (ECM)

NOTICE:

- Do not touch the engine control module (ECM) terminals.
- The tester probe should be inserted into the wiring connector from the wiring side.

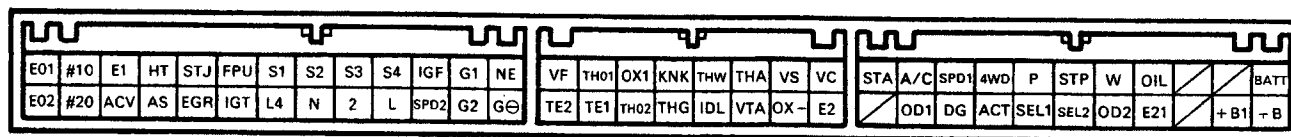
Check the resistance between each terminal of the wiring connectors.

- Disconnect the connectors from the engine control module (ECM).
- Measure the resistance at each terminal.

Engine Control Module (ECM) Wiring Connectors Resistance

Terminals	Condition	Resistance (kΩ)
IDL - E2 (E21)	Throttle valve open	Infinity
	Throttle valve fully closed (Throttle opener must be cancelled first)	2.3 or less
VTA - E2 (E21)	Throttle valve fully open	3.1 - 12.1
	Throttle valve fully closed (Throttle opener must be cancelled first)	0.47 - 6.1
VC - E2 (E21)	Intake air temperature 20°C (68°F)	3.9 - 9.0
THA - E2 (E21)	Volume air flow meter connector disconnected	2 - 3
THW - E2 (E21)	Engine coolant temperature 80°C (176°F)	0.2 - 0.4
+ B - E1	-	0.2 - 0.4
VC - E2 (E21)	Throttle position sensor connector disconnected	0.2 - 0.4
VS - E2 (E21)	Measuring plate fully closed	0.2 - 0.6
	Measuring plate fully open	0.02 - 1.20
G1, G2 - G ⊖	Cold (-10 ~ 50°C, 14 ~ 122°F)	0.125 - 0.200
	Hot (50~100°C, 122~212°F)	0.160 - 0.235
NE - G ⊖	Cold (-10 ~ 50°C, 14 ~ 122°F)	0.155 - 0.250
	Hot (50~100°C, 122~212T)	0.190 - 0.290

Engine Control Module (ECM) Terminals



FI2766

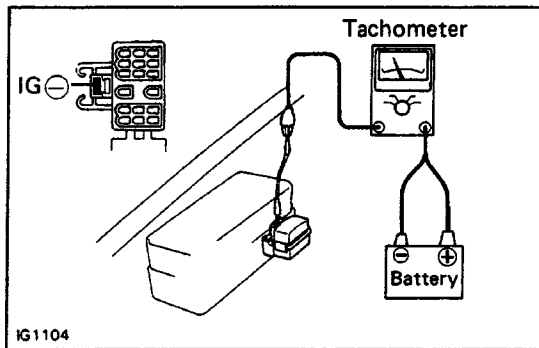
FUEL CUT RPM

EG1MU-02

FUEL CUT RPM INSPECTION

1. WARM UP ENGINE

Allow the engine to warm up to normal operating temperature.



2. CONNECT TACHOMETER

Connect the test probe of a tachometer to terminal IG (-) of the DLC1.

NOTICE:

- Never allow the tachometer terminal to touch ground as it could result in damage to the igniter and/or ignition coil.
- As some tachometers are not compatible with this ignition system, we recommend that you confirm the compatibility of yours before use.

3. INSPECT FUEL CUT OPERATION

- Increase the engine speed to at least 2,500 rpm.
- Check for injector operating sound.
- Check that when the throttle lever is released, injector operation sound stops momentarily and then resumes.

HINT:

- The vehicle should be stopped.
- Accessories switched OFF.

Fuel return rpm:

M/T 1,300 rpm

A/T 1,500 rpm

4. DISCONNECT TACHOMETER

SERVICE SPECIFICATIONS

60100-02

SERVICE DATA

Fuel pressure regulator	Fuel pressure at no vacuum	265 - 304 kPa (2.7 - 3.1 kgf/cm², 38 - 44 psi)
Cold start injector	Resistance Fuel leakage	2 - 4 Ω One drop or less per minute
Injector	Resistance Injection volume Difference between each cylinder Fuel leakage	13.4 - 14.2 Ω 45 - 55 cm³ (2.7 - 3.4 cu in.) per 15 sec. 6 cm³ (0.4 cu in.) or less One drop or less per minute
Volume air flow meter	Resistance Terminals	Resistance 200 - 600 Ω (Measuring plate fully closed) 20 - 1,200 Ω (Measuring plate fully open) 200 - 400 Ω Infinity THA - E2 10 - 20 kΩ at -20°C (-4°F) THA - E2 4 - 7 kΩ at 0°C (32°F) THA - E2 2 - 3 kΩ at 20°C (68°F) THA - E2 0.9 - 1.3 kΩ at 40°C (104°F) THA - E2 0.4 - 0.7 kΩ at 60°C (140°F)
Throttle body	Throttle body fully closed angle Dashpot setting speed Throttle opener setting speed	6° 2,000 ± 200 rpm 900 - 1,800 rpm
Throttle position sensor	Clearance between stop screw and lever Terminals	Resistance 0 mm (0 in.) VTA - E2 0.47 - 6.1 kΩ 0.50 mm (0.020 in.) IDL - E2 2.3 kΩ or less 0.80 mm (0.031 in.) IDL - E2 Infinity Throttle valve fully open VTA - E2 3.1 - 12.1 kΩ VC - E2 3.9 - 9.0 kΩ
Cold start injector time switch	Resistance STA - STJ STA - STJ STA - Ground	30 - 50 Ω below 10°C (50°F) 70 - 90 Ω above 25°C (77°F) 30 - 90 Ω
Engine coolant temp. sensor	Resistance	10 - 20 kΩ at -20°C (-4°F) 4 - 7 kΩ at 0°C (32°F) 2 - 3 kΩ at 20°C (68°F) 0.9 - 1.3 kΩ at 40°C (104°F) 0.4 - 0.7 kΩ at 60°C (140°F) 0.2 - 0.4 kΩ at 80°C (176°F)
VSV (Fuel pressure control)	Resistance	30 - 50 Ω at 20°C (68°F)
EGR gas temp. sensor (Calif. and C&C)	Resistance	69 - 89 kΩ at 50°C (122°F) 11 - 15 kΩ at 100°C (212°F) 2 - 4 kΩ at 150°C (302°F)
Heated oxygen sensor	Heater coil resistance California 2WD only Others	4.5 - 6.0 Ω at 23°C (73°F) 5.1 - 6.3 Ω at 20°C (68°F)

ECM	Condition	Terminals	Voltage
	IG SW ON	+B - E1	9 - 14 V
	IG SW ON	+B1 - E1	9 - 14 V
	-	BATT - E1	9 - 14 V
	IG SW ON - Throttle valve open	IDL - E2 (E21)	9 - 14 V
	IG SW ON - Throttle valve fully closed (Throttle opener must be cancelled first)		
		VTA - E2 (E21)	0.3 - 0.8 V
	IG SW ON - Throttle valve fully open		
		VTA - E2 (E21)	3.2 - 4.9 V
	IG SW ON	VC - E2 (E21)	4.5 - 5.5 V
	IG SW ON - Measuring plate fully closed		
		VS - E2 (E21)	4.0 - 5.5 V
	IG SW ON - Measuring plate fully open		
		VS - E2 (E21)	0.2 - 0.5 V
	Idling	VS - E2 (E21)	2.3 - 2.8 V
	3,000 rpm	VS - E2 (E21)	0.3 - 1.0 V
	IG SW ON	#10 or #20 - E01	9 - 14 V
	IG SW ON	#10 or #20 - E02	9 - 14 V
	IG SW ON - Intake air temp. 20°C (68°F)		
		THA - E2 (E21)	0.5 - 3.4 V
	IG SW ON - Engine coolant temp. 80°C (176°F)		
		THW - E2 (E21)	0.2 - 1.0 V
	Cranking	STA - E1	6 V or more
	Idling	IGT - E1	Pulse generation
	No trouble (malfunction indicator lamp off) and engine running		
		W - E1	9 - 14 V
	Cranking		
	- Engine coolant temp. 80°C (176°F)	STJ - E1	6 V or more
	Stop light switch ON	STP	7.5 - 14 V

ECM	Condition	Terminals	Resistance
	Throttle valve open	IDL - E2 (E21)	Infinity
	Throttle valve fully closed (Throttle opener- must be cancelled first)		
		IDL - E2 (E21)	2,300 Ω or less
	Throttle valve fully open	VTA - E2 (E21)	3,100 - 12,100 Ω
	Throttle valve fully closed (Throttle opener must be cancelled first)		
		VTA - E2 (E21)	470 - 6,100 Ω
	Measuring plate fully closed	VC - E2 (E21)	3,900 - 9,000 Ω
	Measuring plate fully open	VS - E2 (E21)	200 - 600 Ω
	Intake air temp. 20°C (68°F)	VS - E2 (E21)	20 - 1,200 Ω
	Coolant temp. 80°C (176°F)	THA - E2 (E21)	2,000 - 3,000 Ω
		THW - E2 (E21)	200 - 400 Ω
	Cold (-10°C (14°F) to 50°C (122°F))		
		G1 or G2 - G \ominus	125 - 200 Ω
	Hot (50°C (122°F) to 100°C (212°F))		
		G1 or G2 - G \ominus	160 - 235 Ω
	Cold (-10°C (14°F) to 50°C (122°F))	NE - G \ominus	155 - 250 Ω
	Hot (50°C (122°F) to 100°C (212°F))	NE - G \ominus	190 - 290 Ω
Fuel cut rpm	Fuel return rpm	M/T A/T	1,300 rpm 1,500 rpm

TORQUE SPECIFICATIONS

EG1HW-02

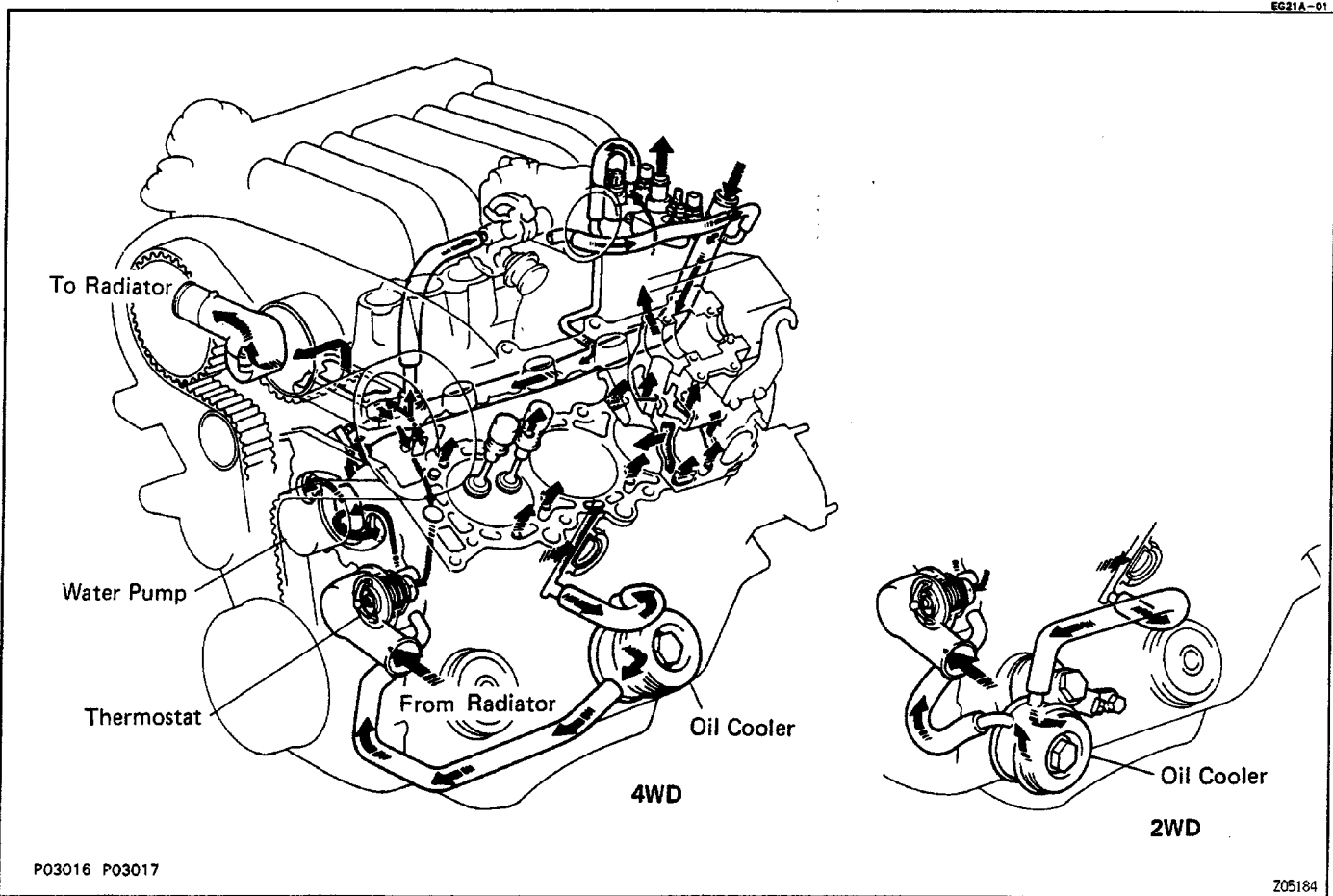
Part tightened	N·m	kgf·cm	ft·lbf
Cold start injector x Air intake chamber	7.8	80	69 in.-lbf
Delivery pipe x Pulsation damper	29	300	22
Delivery pipe x Fuel pressure regulator	29	300	22
Delivery pipe x Cold start injector tube	15	150	11
Delivery pipe x No.3 fuel pipe	34	350	25
Delivery pipe x No.2 fuel pipe	34	350	25
Delivery pipe x Intake manifold	13	130	9
Fuel line	30	310	22
Fuel pump	3.9	40	35 in.-lbf
Fuel drain plug	6.4	65	56 in.-lbf

COOLING SYSTEM

DESCRIPTION

This engine is cooled by a pressurized water forced circulation cooling system equipped with a thermostatically controlled bypass valve mounted on the inlet side.

OPERATION



The cooling system is composed of the water jacket (inside the cylinder block and cylinder head), radiator, water pump, thermostat, cooling fan, fluid coupling, hoses and other components. Engine coolant, which has been heated in the water jacket, is drawn into the radiator by the water pump. The radiator is cooled by air drawn in by the cooling fan and by the air flow from the vehicle's forward motion. This in turn cools the coolant in the radiator. The coolant is then drawn into the water pump and then discharged back to the cylinder block.

The water jacket is a network of channels in the outer area of the cylinder block and cylinder head. It is designed so that the engine coolant flowing through it can provide adequate cooling to the areas subjected to the highest thermal stresses, in particular, the cylinders and combustion chambers, during engine operation.

RADIATOR

The radiator, mounted at the front of vehicle, consists of an upper and lower tank and a core connecting the two tanks.

The core contains many tubes through which engine coolant flows from the upper tank to the

lower tank. Air passing over the radiator fins cools the heated engine coolant flowing through the radiator.

The upper tank has an inlet for engine coolant from the water jacket and it has a filler inlet. It also has a hose attached through which excess engine coolant or steam can flow. The lower tank has an outlet for the engine coolant and a drain cock. Automatic transmission models include an automatic transmission fluid cooler.

RADIATOR CAP

The radiator cap is a pressure type cap which seals the radiator, resulting in pressurization of the radiator as the coolant expands. The pressurization prevents the engine coolant from boiling even when the engine coolant temperature exceeds 100° C (212. ° F).

A relief valve (pressurization valve) and a vacuum valve (negative pressure valve) are built into the radiator cap. The relief valve opens and lets steam escape out of the overflow pipe when the pressure generated in the cooling system exceeds the limit (engine coolant temperature: 110 – 120 ° C 230 – 248 °F, pressure: 58.8 – 103.0 kPa, 0.6 – 1.05 kgf/cm², 8.5 – 14.9 psi). The vacuum valve opens to allow engine coolant to enter in order to alleviate the vacuum which develops in the engine coolant system after the engine has stopped and the engine coolant temperature drops.

RESERVOIR TANK

The reservoir tank is used to catch engine coolant which overflows the cooling system as a result of volumetric expansion when the engine coolant is heated. When the engine coolant temperature drops, engine coolant in the reservoir tank returns to the radiator, thus keeping the radiator full at all times and avoiding needless engine coolant loss. To find out if the engine coolant needs to be replenished, check the reservoir tank level.

WATER PUMP

The water pump is used for forced circulation of engine coolant through the cooling system. It is mounted on the front of the engine block and driven by the timing belt.

THERMOSTAT

The thermostat has a wax type by-pass valve and is mounted in the water inlet housing. The thermostat includes a type of automatic valve operated by fluctuations in the engine coolant temperature. When the engine coolant temperature is low, the valve closes to prevent the engine coolant flowing to the radiator, thus permitting the engine to warm up rapidly. When the by-pass valve opens the by-pass circuit, the engine coolant continues to circulate inside the engine, quickly and uniformly warming up to the operating temperature.

When the engine coolant temperature is high, the valve opens and the engine coolant flows to the radiator where it is cooled. When the wax inside the thermostat is heated, it expands and thus creates pressure which overpowers the force of the spring which keeps the valve closed. When the wax cools, its contraction allows the force of the spring to take effect once more, closing the valve. The thermostat in this engine operates at a temperature of 82 °C (180 °F).

PREPARATION

EG1D3-01

EQUIPMENT

Heater	
Radiator cap tester	
Thermometer	
Torque wrench	

ENGINE COOLANT

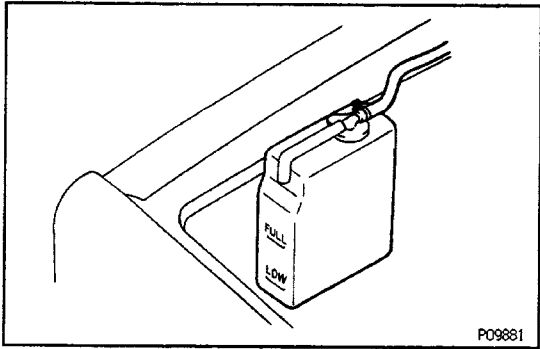
EG1D4-02

Item	Capacity	Classification
2WD M/T A/T 4WD M/T A/T	9.9 liters (110.5 US qts, 8.7 Imp. qts) 9.7 liters (10.3 US qts, 8.5 Imp. qts) 10.0 liters (10.6 US qts, 8.8 Imp. qts) 9.8 liters (10.4 US qts, 8.6 Imp. qts)	Ethylene-glycol base

SSM (SPECIAL SERVICE MATERIALS)

EG1D5-01

08826-00100 Seal Packing 1282B, Three Bond 1282B or equivalent	Water pump
---	------------

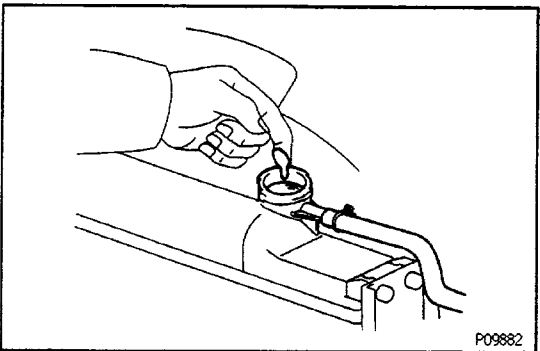


COOLANT CHECK AND REPLACEMENT

1. CHECK ENGINE COOLANT LEVEL IN RESERVOIR TANK

The engine coolant level should be between the "LOW" and "FULL" lines.

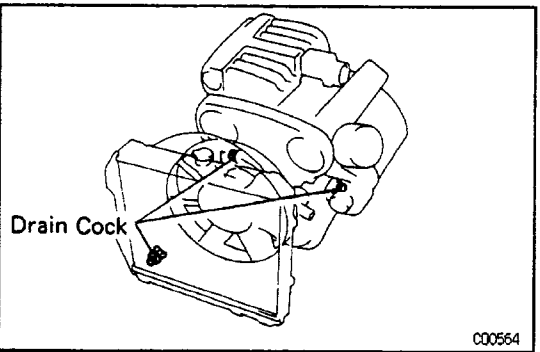
If low, check for leakage and add engine coolant up to the "FULL" line.



2. CHECK ENGINE COOLANT QUALITY

There should not be any excessive deposits of rust or scale around the radiator cap or radiator filler hole, and the engine coolant should be free from oil.

If excessively dirty, replace the engine coolant.



3. REPLACE ENGINE COOLANT

- (a) Remove the radiator cap.
- (b) . Drain the engine coolant from the radiator and engine drain cocks.
- (c) Close the drain cocks.
- (d) Fill the system with engine coolant.

HINT:

- Use a good brand of ethylene – glycol base engine coolant, mixed according to the manufacturer's instructions.
- Using engine coolant which has more than 50% ethylene–glycol (but not more than 70%) is recommended.

NOTICE:

- **Do not use an alcohol type engine coolant.**
- **The engine coolant should be mixed with demineralized water or distilled water.**

Engine coolant capacity (w/ heater or air conditioner):

2WD

M/T 9.9 liters (10.5 US qts, 8.7 Imp. qts)

A/T 9.7 liters (10.3 US qts, 8.5 Imp. qts)

4WD

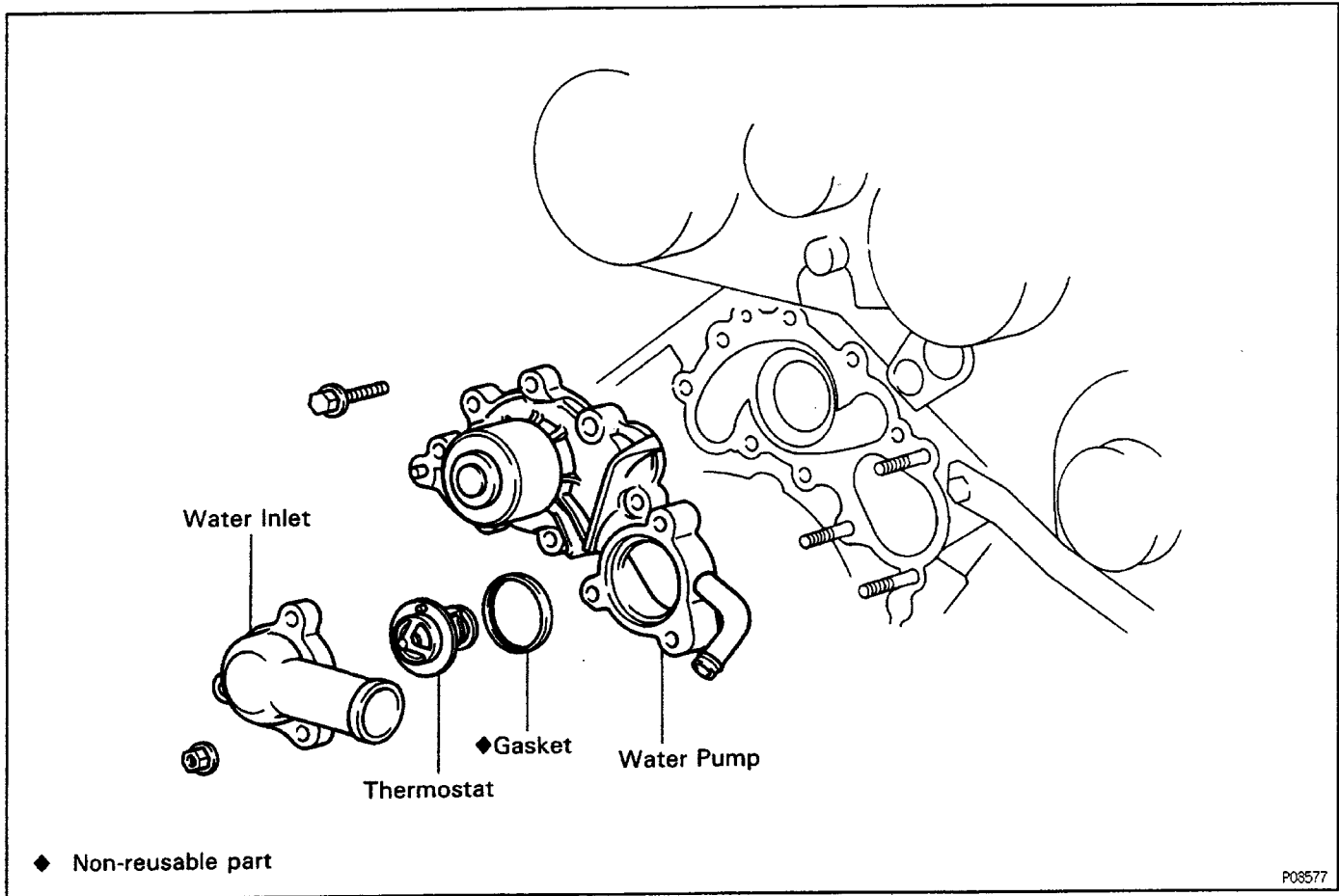
M/T 10.0 liters (10.6 US qts, 8.8 Imp. qts)

A/T 9.8 liters (10.4 US qts, 8.6 Imp. qts)

- (e) Install the radiator cap.
- (f) Start the engine and check for leaks.
- (g) Recheck the engine coolant level and refill as necessary.

WATER PUMP COMPONENTS

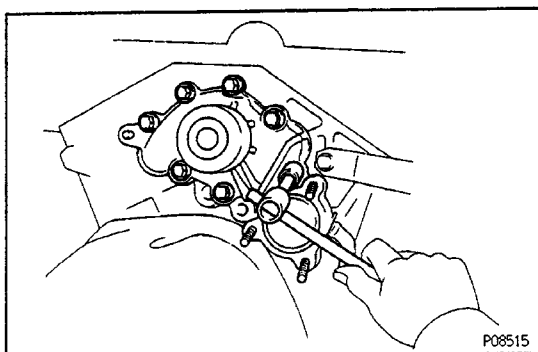
EG107-01



EG108-01

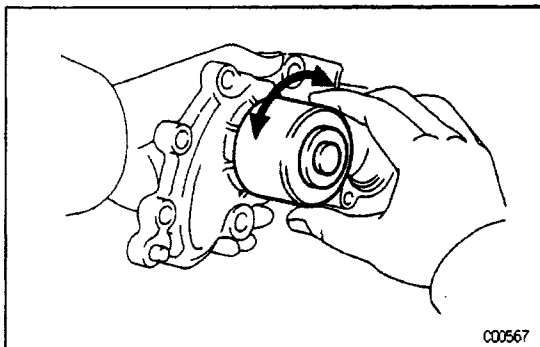
WATER PUMP REMOVAL

1. REMOVE TIMING BELT
(See page [EG2-32](#))
2. REMOVE THERMOSTAT
3. DISCONNECT NO. 2 OIL COOLER HOSE FROM
WATER PUMP



4. REMOVE WATER PUMP

Remove the seven bolts and water- pump.

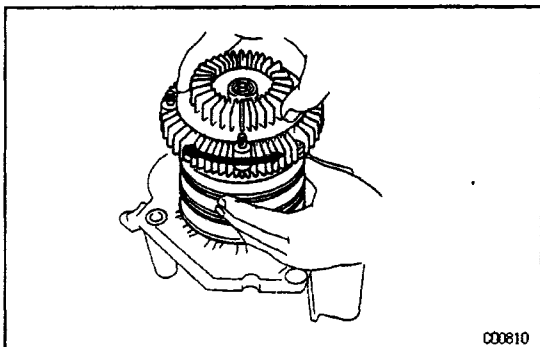


000567

WATER PUMP INSPECTION

1. INSPECT WATER PUMP BEARING

Check that the water pump bearing moves smoothly and quietly.



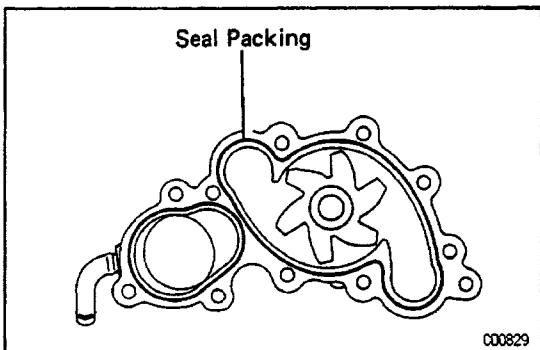
000610

2. INSPECT FLUID COUPLING

Check the fluid coupling for damage and silicone oil leakage.

3. INSPECT FAN PULLEY BRACKET

Check the turning smoothness of the fan pulley. If necessary, replace the pulley bracket.



000829

WATER PUMP INSTALLATION

(See components)

1. INSTALL WATER PUMP

(a) Remove any old packing (FIPG) material and be careful not to drop any oil on the contact surfaces of the water pump and cylinder block.

- Using a razor blade and gasket scraper, remove all the old packing (FIPG) material from the gasket surfaces and sealing groove.
- Thoroughly clean all components to remove all the loose material.
- Using a non-residue solvent, clean both sealing surfaces.

(b) Apply seal packing to the water pump groove.

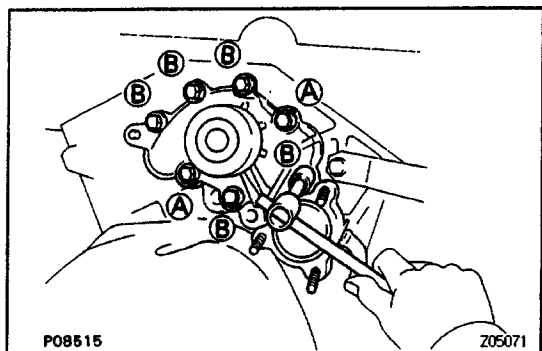
Seal packing:

Part No.08826-00100 or equivalent

- Install a nozzle that has been cut to a 2 – 3 mm (0.08 – 0.12 in.) opening.

HINT: Avoid applying an excessive amount to the surface.

- Parts must be assembled within 5 minutes of application. Otherwise the material must be removed and reapplied.
- Immediately remove nozzle from the tube and reinstall cap.



(c) Install the water pump with the seven bolts.

Torque:

Bolt (A) 18 N-m (185 kgf-cm, 13 ft-lbf)

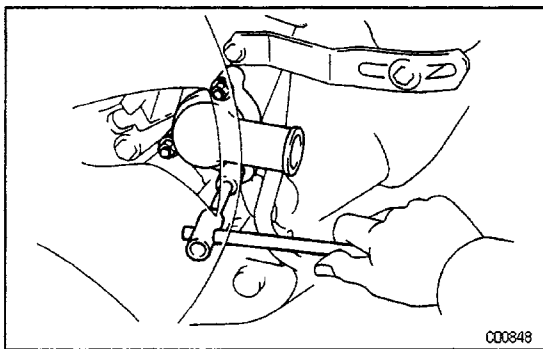
Bolt (B) 20 N-m (200 kgf-cm, 14 ft-lbf)

2. CONNECT NO.2 OIL COOLER HOSE

3. INSTALL THERMOSTAT

4. INSTALL TIMING BELT

(See page [EG2-41](#))



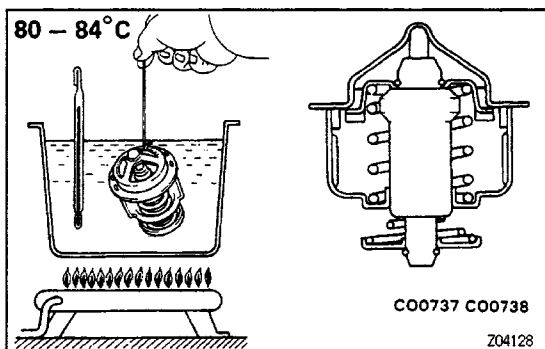
C00848

THERMOSTAT

THERMOSTAT REMOVAL

EG1DB-01

1. DRAIN ENGINE COOLANT
2. DISCONNECT RADIATOR OUTLET HOSE
3. REMOVE THERMOSTAT
 - (a) Remove the three nuts, water inlet and thermostat with gasket from the water pump.
 - (b) Remove the gasket from the thermostat.



C00737 C00738

Z04128

THERMOSTAT INSPECTION

EG1DC-01

HINT: Thermostat is numbered according to the valve opening temperature.

- (a) Immerse the thermostat in water and heat the water gradually.
- (b) Check the valve opening temperature and valve lift.

Valve opening temperature:

80 – 84 •C (176 – 183 •F)

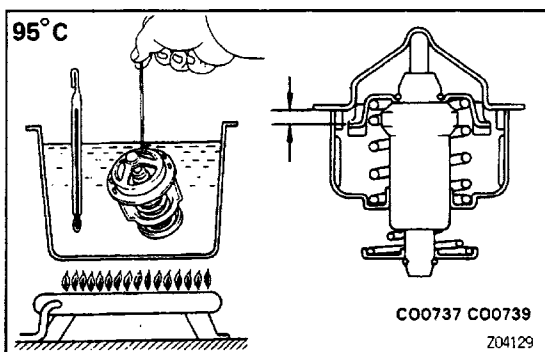
Valve lift:

8 mm (0.31 in.) or more at 95 •C (203 •F)

If the valve opening temperature and valve lift are not within specifications, replace the thermostat.

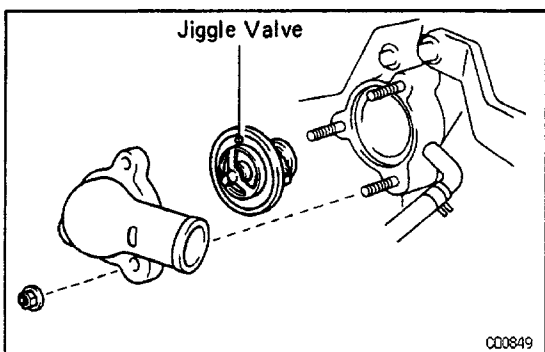
- (c) Check that the valve spring is tight when the thermostat is fully closed.

If not tight, replace the thermostat.



C00737 C00739

Z04129



C00849

THERMOSTAT INSTALLATION

EG20Y-01

1. INSTALL THERMOSTAT

- (a) Place a new gasket to the thermostat.
- (b) Install the thermostat with the jiggle valve upward.

2. INSTALL WATER INLET

Install the water inlet with the three nuts.

Torque: 20 N-m (200 kgf-cm, 14 ft-lbf)

3. CONNECT RADIATOR OUTLET HOSE

4. FILL WITH ENGINE COOLANT

5. START ENGINE AND CHECK FOR LEAKS

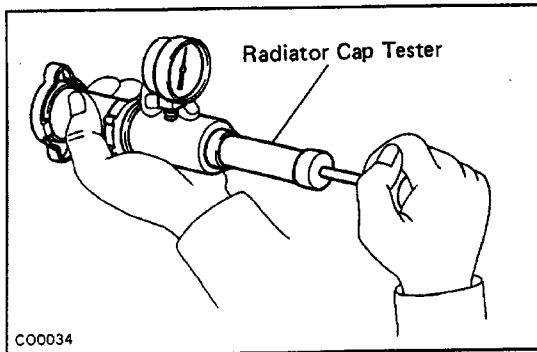
RADIATOR

RADIATOR CLEANING

EG1DE-01

Using water or a steam cleaner, remove mud and dirt from the radiator core.

NOTICE: If using a high-pressure type cleaner, be careful not to deform the fins of the radiator core. For example, keep a distance of more than 40 – 50 cm (15.75 – 19.69 in.) between the radiator core and cleaner nozzle when the cleaner nozzle pressure is 2,942 – 3,432 kPa (30 – 35 kgf/cm², 427 – 498 psi).



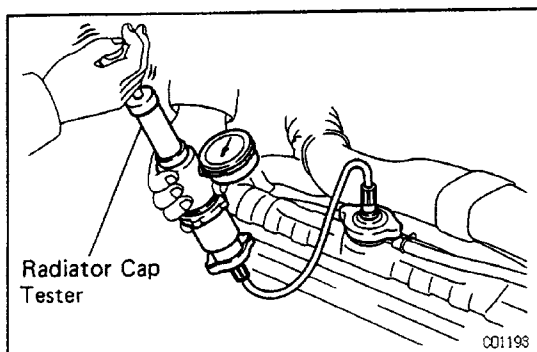
RADIATOR INSPECTION

EG1DF-01

1. CHECK RADIATOR CAP

- Using radiator cap tester, pump the tester until relief valve opens. Check that the valve opens between 74 kPa (0.75 kgf/cm², 10.7 psi) and 103 kPa (1.05 kgf/cm², 14.9 psi).
- Check that pressure gauge does not drop rapidly when pressure on cap is below 59 kPa (0.6 kgf/cm², 8.5 psi).

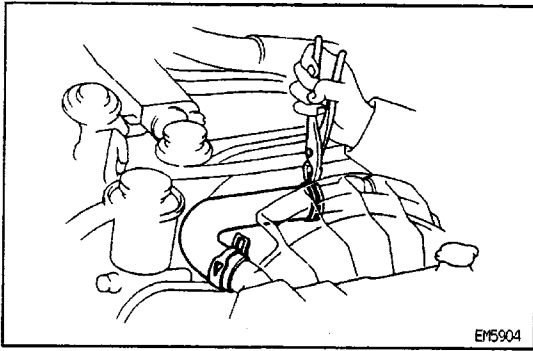
If either check is not within limit, replace the radiator cap.



2. CHECK COOLING SYSTEM FOR LEAKS

- Fill the radiator with engine coolant and attach a radiator cap tester.
- Warm up the engine.
- Pump it to 118 kPa (1.2 kgf/cm², 17.1 psi), and check that the pressure does not drop.

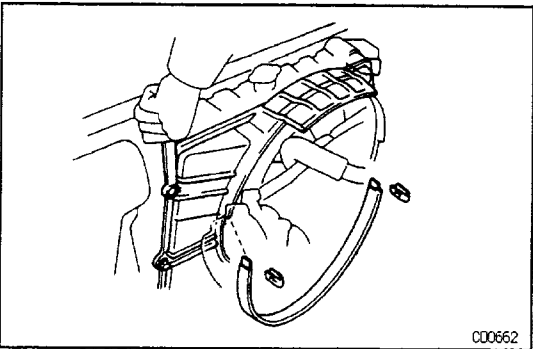
If the pressure drops, check for leaks from the hoses, radiator or water pump. If no external leaks are found, check the heater core, block and intake manifold.



RADIATOR REMOVAL

1. DRAIN ENGINE COOLANT
2. REMOVE ENGINE UNDER COVER
3. REMOVE RADIATOR

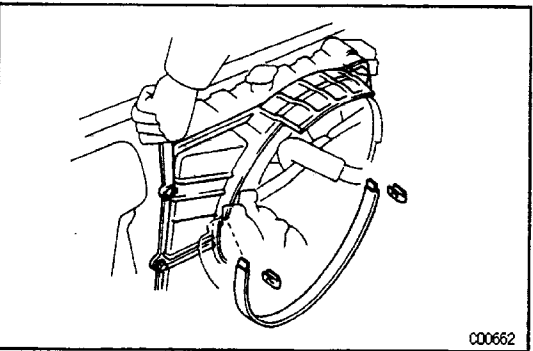
- (a) Disconnect the reservoir hose.
- (b) Remove the radiator hoses.



- (c) Remove the No.2 fan shroud.
- (d) Remove the No.1 fan shroud.
- (e) Disconnect the oil cooler hoses.

HINT:

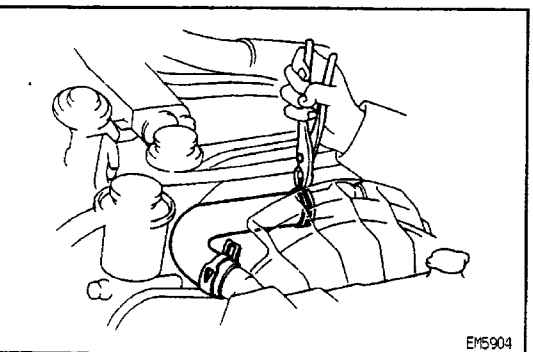
- Be careful as some oil will leak out. Catch it in a suitable container.
 - Plug the hose to prevent oil from escaping.
- (f) Remove the four bolts and radiator.



RADIATOR INSTALLATION

1. INSTALL RADIATOR

- (a) Install the radiator with the four bolts.
- (b) Connect the oil cooler hoses.
- (c) Install the No.1 fan shroud
- (d) Install the No.2 fan shroud



- (e) Install the radiator hoses.
- (d) Connect the reservoir hoses.

2. INSTALL ENGINE UNDER COVER
3. FILL WITH ENGINE COOLANT
4. START ENGINE AND CHECK FOR LEAKS

SERVICE SPECIFICATIONS

EG1DJ-01

SERVICE DATA

Radiator cap	Relief valve opening pressure	STD Limit	74 – 103 kPa (0.75 – 1.05 kgf/cm ² , 10.7 – 14.9 psi) 59 kPa (0.6 kgf/cm ² , 8.5 psi)
Thermostat	Valve opening temperature	Start to open Fully open	82 °C (180 °F) 95 °C (203 °F)
	Valve lift		8 mm (0.31 in.) or more

EG1DK-01

TORQUE SPECIFICATIONS

Part tightened	N·m	kgf·cm	ft·lbf
Cylinder block x Drain plug	29	300	22
Water pump x Cylinder block – Short bolt	20	200	14
Water pump x Cylinder block – Long bolt	18	185	13
Water inlet x Water pump	20	200	14

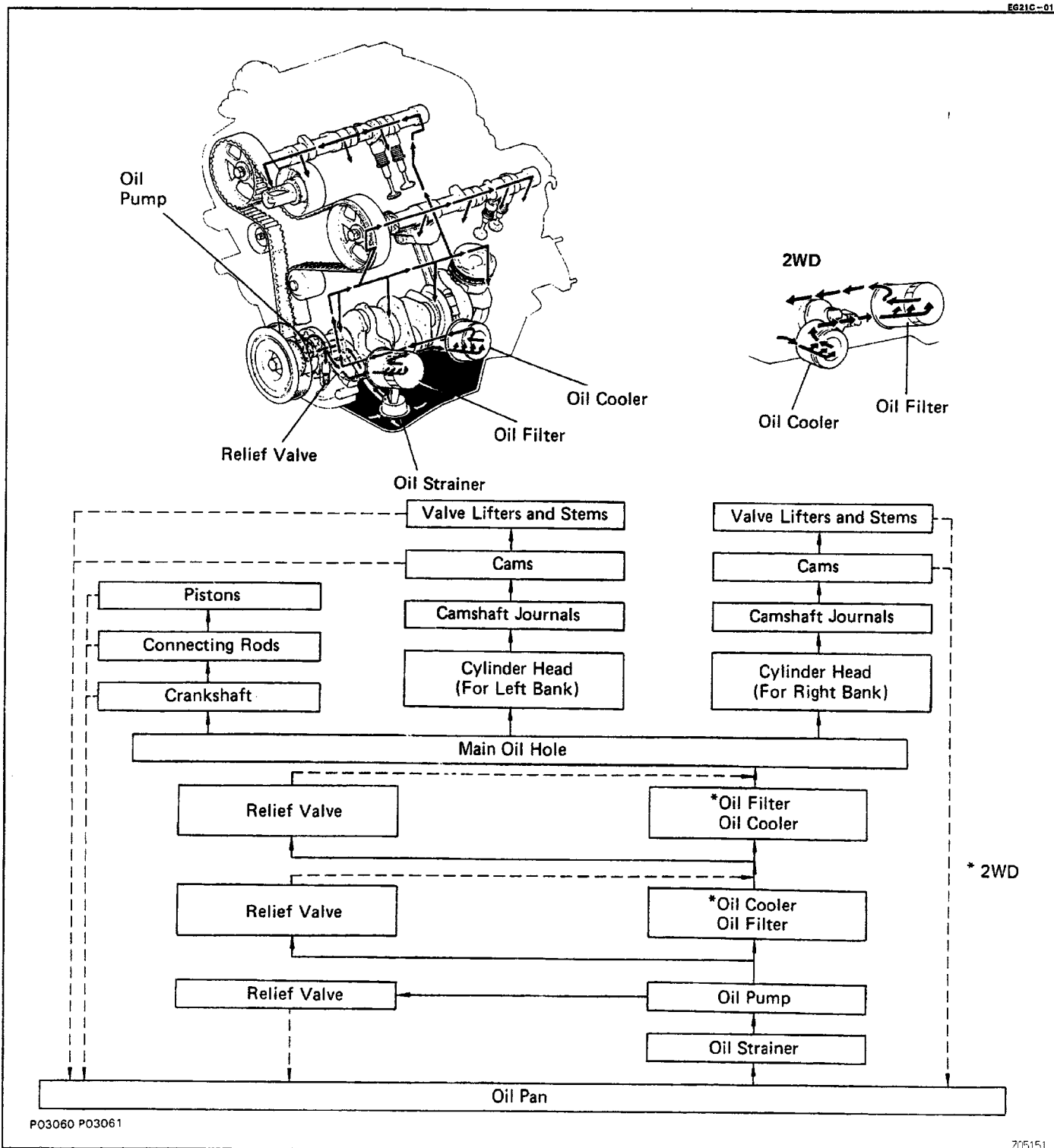
LUBRICATION SYSTEM

DESCRIPTION

A fully pressurized, fully filtered lubrication system is used in this engine.

EG218-01

OPERATION



EG21C-01

A pressure feeding lubrication system has been adopted to supply oil to the moving parts of this engine. The lubrication system consists of an oil pan, oil pump, oil filter and other external parts which supply oil to the moving parts in the engine block. The oil circuit is shown in the illustration at the top of the previous page. Oil from the oil pan is pumped up by the oil pump. After it passes through the oil filter, it is fed through the various oil holes in the crankshaft, cylinder block and cylinder head. After passing through the cylinder block and performing its lubricating function, the oil is returned by gravity to the oil pan. A dipstick on the side of the oil pump body is provided to check the oil level.

OIL PUMP

The oil pump pumps up oil from the oil pan and sends it under pressure to the various parts of the engine. An oil strainer is mounted in the front of the inlet to the oil pump. The oil pump itself is a trochoid type pump, inside of which is a drive rotor and a driven rotor. When the crankshaft causes the drive rotor to rotate, the driven rotor rotates in the same direction, and since the axis of the drive rotor shaft is different from the center of the driven rotor, the space between the two rotors is changed as they rotate. Oil is drawn in when the space widens, and is discharged when the space becomes narrow.

OIL PRESSURE REGULATOR (RELIEF VALVE)

At high engine speeds, the oil pump supplies more oil to each part than it is necessary. For this reason, an oil pressure regulator which works to prevent an oversupply of oil is installed on the oil pump. During normal oil supply, a coil spring and valve keep the by-pass closed, but when too much oil is being supplied, the pressures become extremely high, overpowering the force of the spring and opening the valve. This allows the excess oil to flow through the relief valve and return to the oil pan.

OIL FILTER

The oil filter is a full flow type filter with a paper filter element and built-in relief valve. Particles of metal from wear, airborne dirt, carbon and other impurities can get in the oil during use and could cause accelerated wear or seizing if allowed to circulate through the engine. The oil filter, integrated into the oil line, removes these impurities as the oil passes through it.





The filter is mounted outside the engine to simplify replacement of the filter element.

A relief valve is included in front of the filter element to relieve the high oil pressure in case the filter element becomes clogged with impurities. The by-pass valve opens when the difference in the oil pressure of the inlet and outlet ports exceeds a specified value. Oil passing through the relief valve by-passes the oil filter and flows directly into the main oil hole in the engine.

PREPARATION

EG1CR-01

SST (SPECIAL SERVICE TOOLS)

	09032-00100 Oil Pan Seal Cutter	
	09228-07500 Oil Filter Wrench	
	09309-37010 Transmission Bearing Replacer	Camshaft front oil seal
	09816-30010 Oil Pressure Switch Socket	

RECOMMENDED TOOLS

EG1CS-01

	09200-00010 Engine Adjust Kit	
---	-------------------------------	--

EQUIPMENT

EG1CT-01

Oil pressure gauge	
Precision straight edge	Oil pump
Torque wrench	

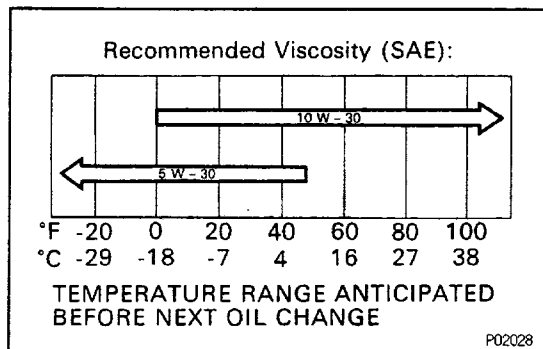
LUBRICANT

EG1CU-02

Item	Capacity	Classification
Engine oil		API grade SG Energy – Conserving II multigrade and recommended viscosity oil.
Dry fill		
2WD	5.3 liters (5.6 US qts, 4.7 Imp. qts)	
4WD	5.4 liters (5.7 US qts, 4.8 Imp. qts)	
Drain and refill		
w/o Oil filter change		
2WD	4.0 liters (4.2 US qts, 3.5 Imp. qts)	
4WD	4.2 liters (4.4 US qts, 3.7 Imp. qts)	
w/ Oil filter change		
2WD	4.3 liters (4.5 US qts, 3.8 Imp. qts)	
4WD	4.5 liters (4.8 US qts, 4.0 Imp. qts)	

SSM (SPECIAL SERVICE MATERIALS)

08826-00080 Seal packing or equivalent	Oil pump, Oil pan baffle plate, Oil pan
08833-00080 Adhesive 1344, THREE BOND 1344, LOCTITE 242 or equivalent	Oil pressure sender gauge



OIL PRESSURE CHECK

1. CHECK OIL QUALITY

EG200-01

Check the oil for deterioration, entry of water, discoloring or thinning.

If oil quality is poor, replace.

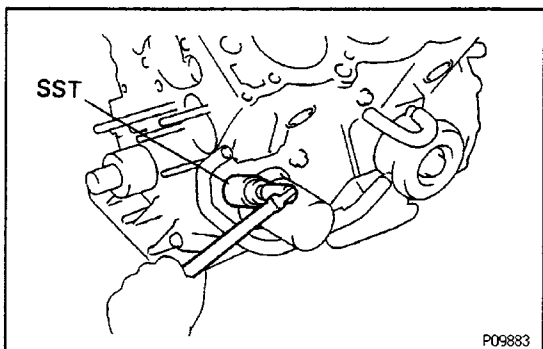
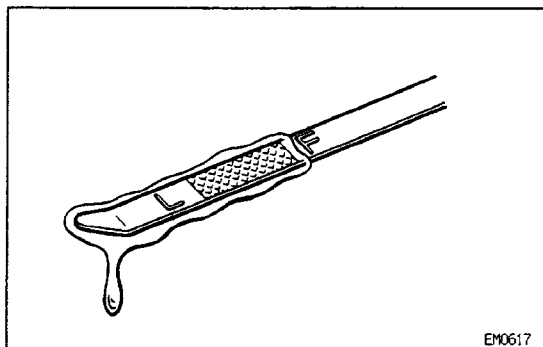
Oil grade:

API grade SG Energy – Conserving 11 multigrade engine oil.

Recommended viscosity is as shown.

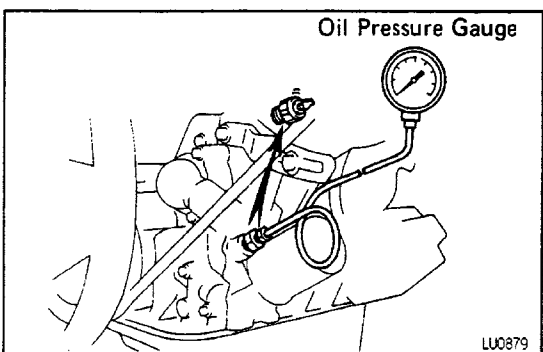
2. CHECK OIL LEVEL

The oil level should be between the "L" and "F" marks on the level gauge. If low, check for leakage and add oil up to the "F" mark.



3. REMOVE OIL PRESSURE SENDER GAUGE

Using SST, remove the oil pressure sender gauge.
SST 09816 – 30010



4. INSTALL OIL PRESSURE GAUGE

5. START ENGINE

Start the engine and warm it up to normal operating temperature.

6. MEASURE OIL PRESSURE

Oil pressure:

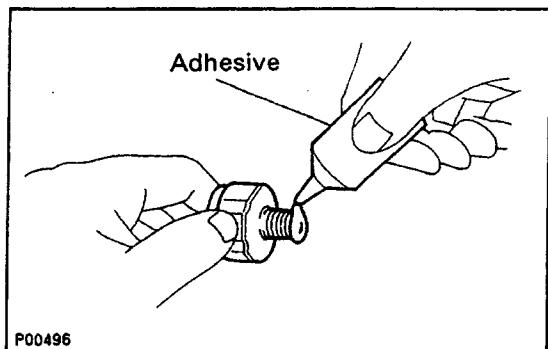
At idle speed

29 kPa (0.3 kgf/cm², 4.3 psi) or more

At 3,000 rpm

245 – 520 kPa (2.5 – 5.3 kgf/cm², 36 – 75 psi)

7. REMOVE 41L PRESSURE GAUGE

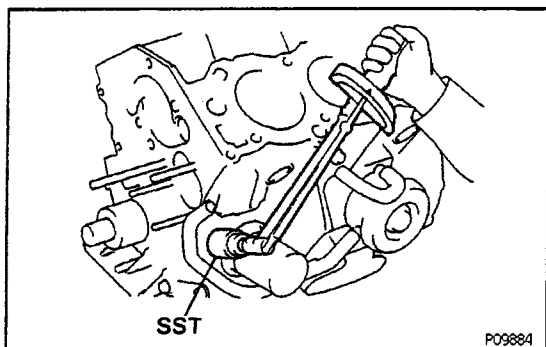


8. INSTALL OIL PRESSURE SENDER GAUGE

(a) Apply adhesive to two or three threads.

Adhesive:

**Part No. 08833-00080, THREE BOND 1344,
LOCTITE 242 or equivalent**



(b) Using SST, install the oil pressure sender gauge.

SST 09818 - 30010

Torque: 15 N-m (150 kgf-cm, 11 ft-lbf)

9. START ENGINE AND CHECK FOR LEAKS

OIL AND FILTER REPLACEMENT

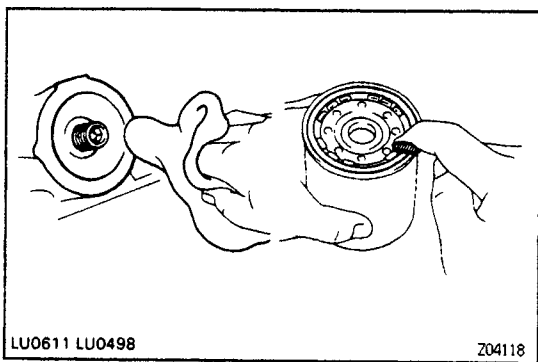
NOTICE:

EG1CX-02

- Prolonged and repeated contact with mineral oil will result in the removal of natural fats from the skin, leading to dryness, irritation and dermatitis. In addition, used engine oil contains potentially harmful contaminants which may cause skin cancer. Adequate means of skin protection and washing facilities should be provided.
- Care should be taken, therefore, when changing engine oil, to minimize the frequency and length of time your skin is exposed to used engine oil. Protective clothing and gloves, that cannot be penetrated by oil, should be worn. The skin should be thoroughly washed with soap and water, or use waterless hand cleaner, to remove any used engine oil. Do not use gasoline, thinners, or solvents.
- In order to preserve the environment, used oil and used oil filters must be disposed of only at designated disposal sites.

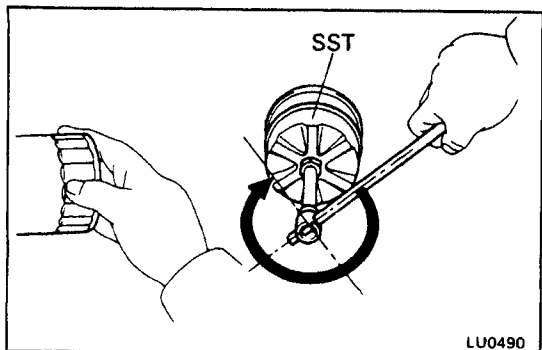
1. DRAIN ENGINE OIL

- Remove the oil filler cap.
- Remove the oil dipstick.
- Remove the oil drain plug and drain the oil into a container.



2. REPLACE OIL FILTER

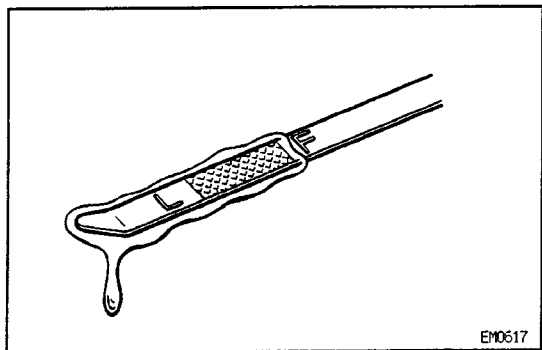
- Using SST, remove the oil filter (located on left side of the cylinder block).
SST 09228-07500
- Clean the filter contact surface on the filter mounting.
- Apply clean engine oil to the gasket of a new oil filter.



- Tighten the filter by hand until the gasket contacts the seat of the filter mounting. Then using SST, give it an additional 3/4 turn to seat the filter.
SST 09228-07500

3. FILL WITH ENGINE OIL

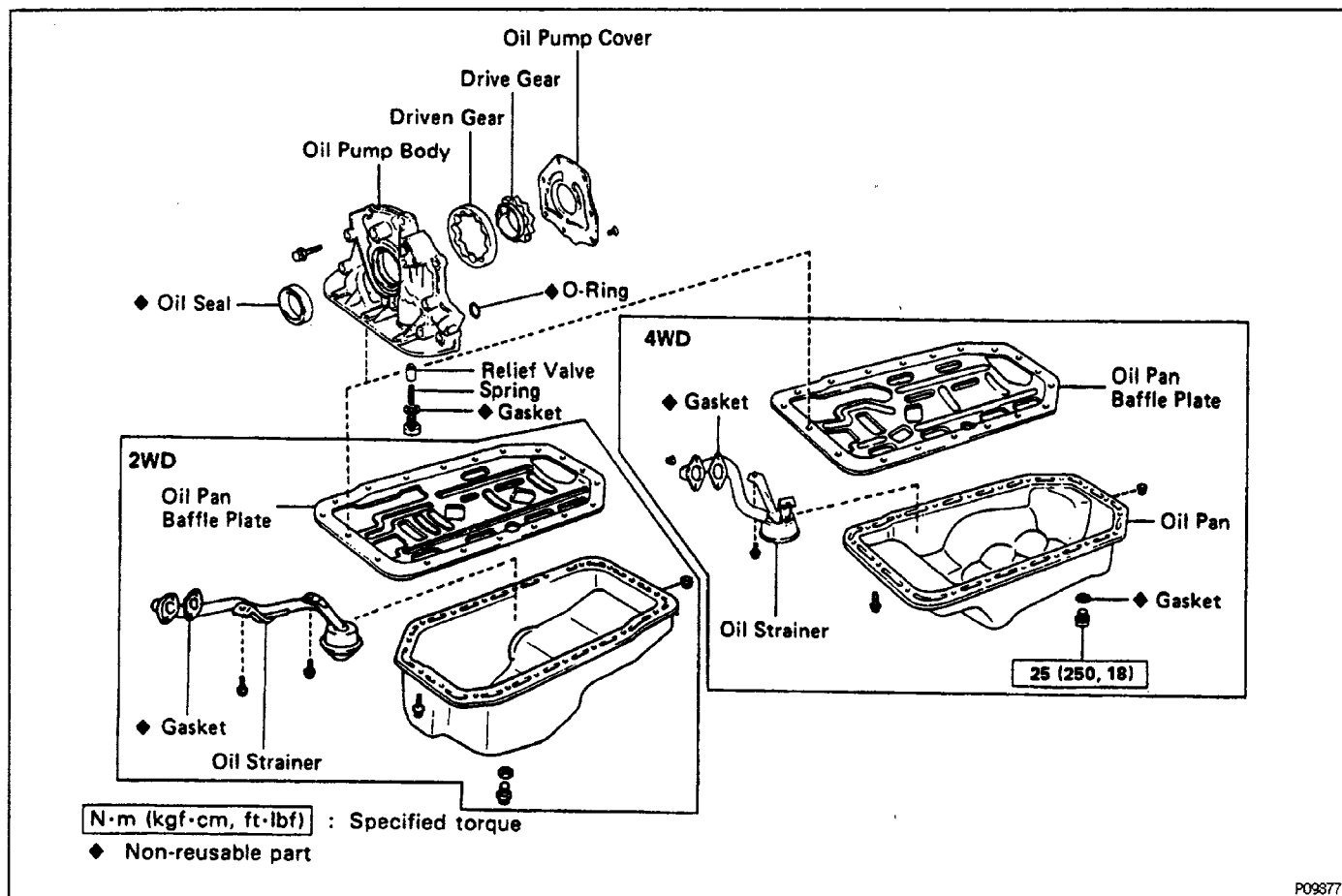
- Clean and install the oil drain plug with a new gasket.
- Fill the engine with new oil, API grade SG Energy – Conserving II multigrade and recommended viscosity oil.

Oil capacity (2WD):**Drain and refill****w/o Oil filter change****4.0 liters (4.2 U S qts, 3.5 Imp. qts)****w/ Oil filter change****4.3 liters (4.5 US qts, 3.8 Imp. qts)****Dry fill****5.3 liters (5.6 US qts, 4.7 Imp. qts)****Oil capacity (4WD):****Drain and refill****w/o Oil filter change****4.2 liters (4.4 US qts, 3.7 Imp. qts)****w/ Oil filter change .****4.5 liters (4.8 US qts, 4.0 Imp. qts)****Dry fill****5.4 liters (5.7 US qts, 4.8 Imp. qts)****4. START ENGINE AND CHECK FOR LEAKS****5. RECHECK ENGINE LEVEL**

Recheck the engine oil level and refill as necessary.

OIL PUMP COMPONENTS

EG20H-01

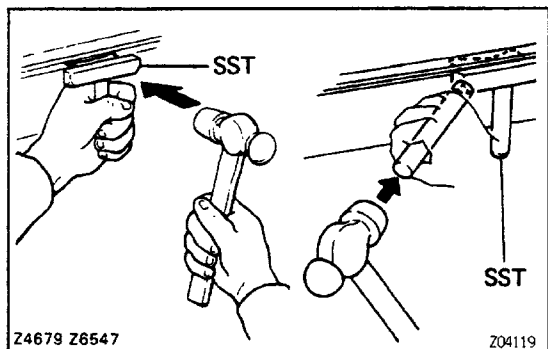


P09877

OIL PUMP REMOVAL

EG20J-01

1. REMOVE ENGINE UNDER COVER
2. (4WD)
REMOVE FRONT DIFFERENTIAL
(See page SA-57)
3. DRAIN ENGINE OIL
4. REMOVE TIMING BELT
(See page EG2-32)



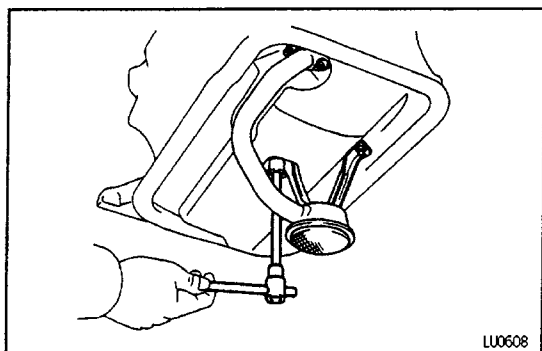
5. REMOVE CRANKSHAFT TIMING PULLEY
(See step 21 on page EG2-36)

6. REMOVE OIL PAN

- (a) Remove the seventeen bolts and two nuts.
- (b) Using SST and a brass bar, separate the oil pan from the baffle plate.

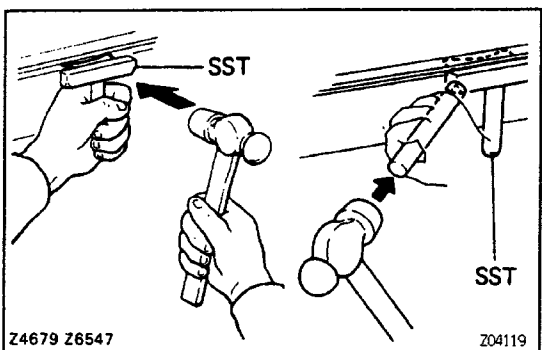
SST 09032-00100

HINT: When removing the oil pan, be careful not to damage the oil pan flange.



7. REMOVE OIL STRAINER

Remove the two bolts, two nuts, oil strainer and gasket.

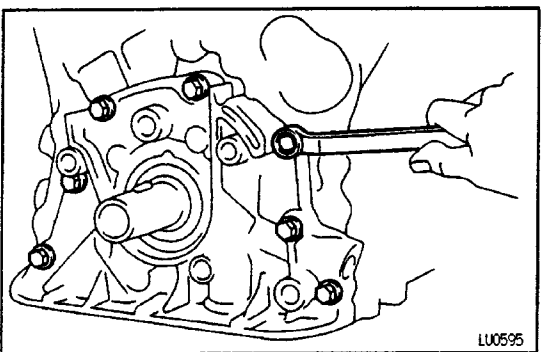


8. REMOVE OIL PAN BAFFLE PLATE

Insert the blade of SST between the cylinder block and baffle plate, cut off applied sealer and remove the baffle plate.

SST 09032 - 00100

HINT: When removing the baffle plate, be careful not to damage the baffle plate flange.



9. REMOVE OIL PUMP

- Remove the seven bolts and oil pump.
- Using a plastic-faced hammer, carefully tap the oil pump body.
- Remove the O-ring from the cylinder block.

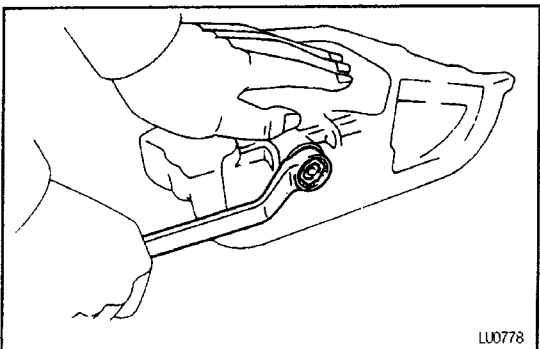
OIL PUMP DISASSEMBLY

EG20K-01

(See components)

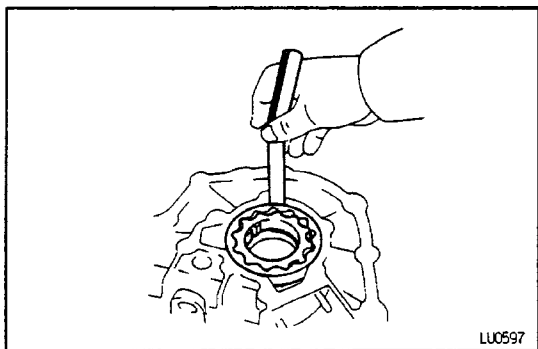
1. REMOVE DRIVEN AND DRIVE ROTORS

- Remove the seven screws and pump body cover.
- Remove the drive and driven rotors.



2. REMOVE RELIEF VALVE

- Unscrew the relief valve plug and gasket.
- Remove the spring and relief valve.



OIL PUMP INSPECTION

1. INSPECT BODY CLEARANCE

Using a thickness gauge, measure the clearance between the driven rotor and pump body.

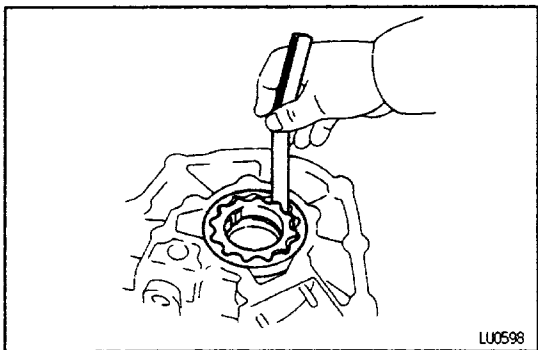
Standard clearance:

0.10 – 0.13 mm (0.0039 – 0.0051 in.)

Maximum clearance:

0.30 mm (0.0118 in.)

If the clearance is greater than maximum, replace the oil pump rotor set and/or pump body.



2. INSPECT TIP CLEARANCE

Using a thickness gauge, measure the clearance between the drive and driven rotors.

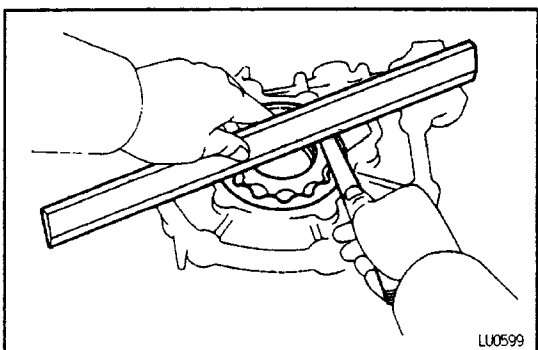
Standard clearance:

0.11 – 0.24 mm (0.0043 – 0.0094 in.)

Maximum clearance:

0.35 mm (0.0138 in.)

If the clearance is greater than maximum, replace the oil pump rotor set.



3. INSPECT SIDE CLEARANCE

Using a thickness gauge and precision straight edge, measure the side clearance as shown.

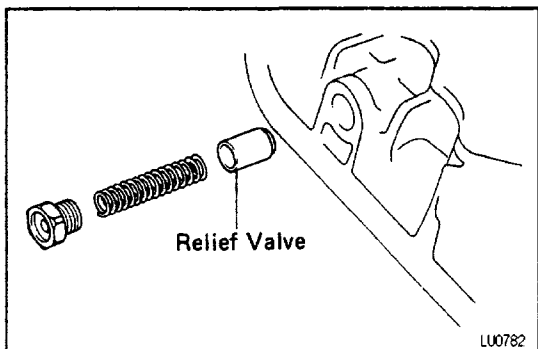
Standard clearance:

0.03 – 0.09 mm (0.0012 – 0.0035 in.) .

Maximum clearance:

0.15 mm (0.0059 in.)

If the clearance is greater than maximum, replace the oil pump rotor set and/or pump body.



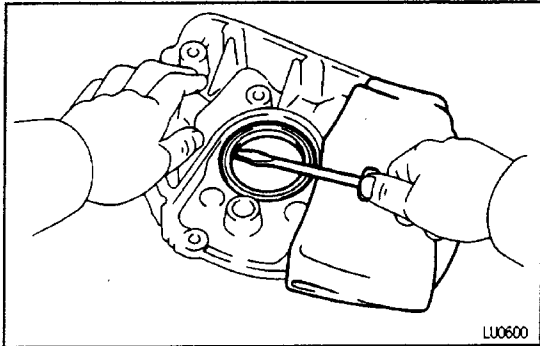
4. INSPECT RELIEF VALVE

Coat the relief valve with engine oil and check that it falls smoothly into the valve hole by its own weight.

If the valve does not fall smoothly, replace the valve and/or oil pump assembly.

CRANKSHAFT FRONT OIL SEAL REPLACEMENT

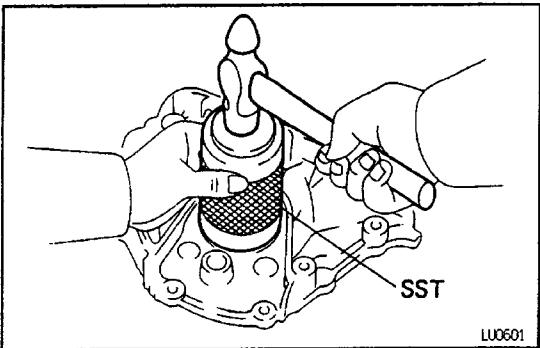
HINT: There are two methods (A and B) to replace the oil seal which are as follows:



REPLACE CRANKSHAFT FRONT OIL SEAL

A. If oil pump is removed from cylinder block:

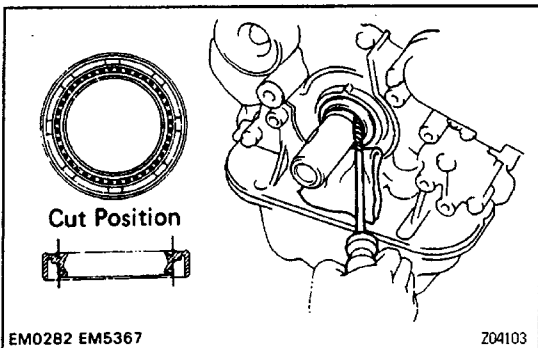
(a) Using a screwdriver, pry out the oil seal.



(b) Using SST and a hammer, tap in a new oil seal until its surface is flush with the oil pump body edge.

SST 09309-37010

(c) Apply MP grease to the oil seal lip.

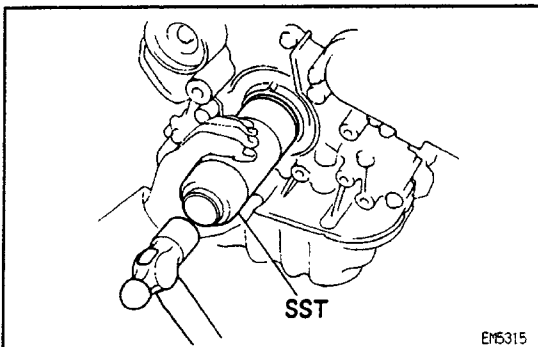


B. If oil pump is installed to the cylinder block:

(a) Using a knife, cut off the oil seal lip.

(b) Using a screwdriver, pry out the oil seal.

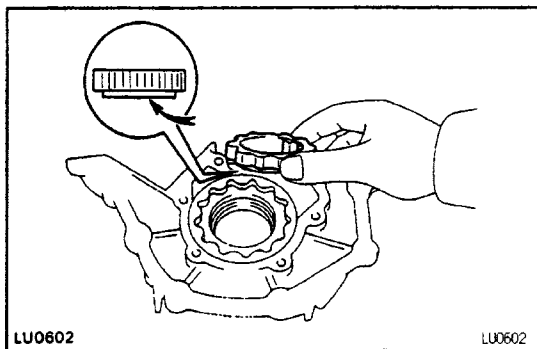
NOTICE: Be careful not to damage the crankshaft. Tape the screwdriver tip.



(c) Apply MP grease to a new oil seal lip.

(d) Using SST and a hammer, tap in the oil seal until its surface is flush with the oil pump body edge.

SST 09306-37010

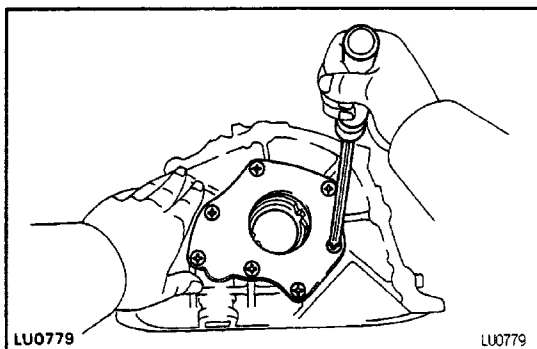


OIL PUMP ASSEMBLY

(See components)

1. INSTALL DRIVE AND DRIVEN ROTORS

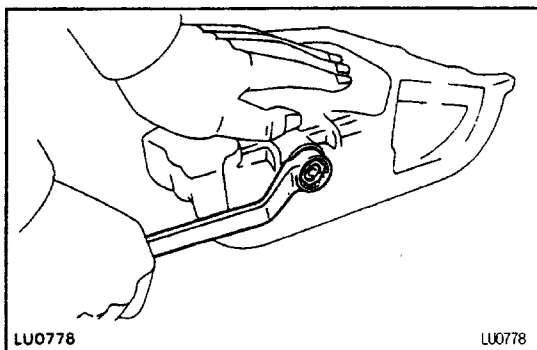
Put the drive and driven rotors in the pump body.



2. INSTALL PUMP BODY COVER

Install the pump body cover with the seven screws.

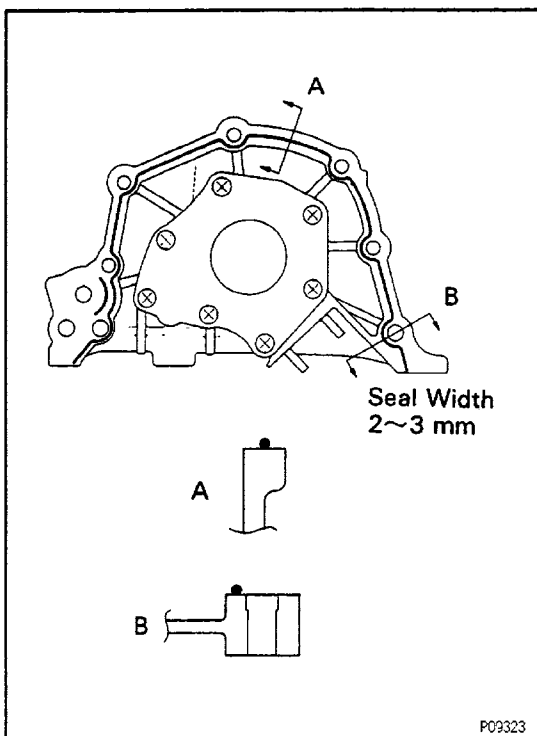
Torque: 10 N·m (105 kgf·cm, 8 ft·lbf)



3. INSTALL RELIEF VALVE

Install relief valve and the spring in the body, and screw on the relief valve plug with a new gasket.

Torque: 37 N·m (375 kgf·cm, 37 ft·lbf)



OIL PUMP INSTALLATION

(See components)

1. INSTALL OIL PUMP

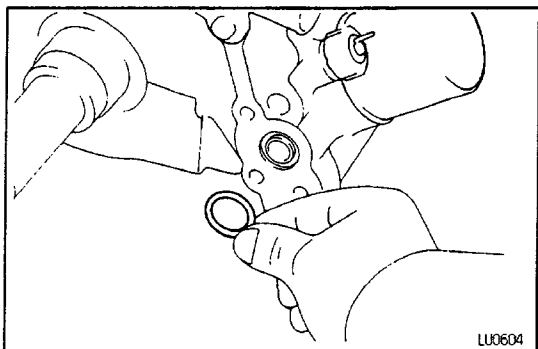
(a) Remove any old packing (FIPG) material and be careful not to drop any oil on the contact surfaces of the oil pump and cylinder block.

- Using a razor blade and gasket scraper, remove all the old packing (FIPG) material from the gasket surfaces and sealing grooves.
- Thoroughly clean all components to remove all the loose material.
- Using a non-residue solvent, clean both sealing surfaces.

(b) Apply seal packing to the oil pump as shown in the illustration.

Seal packing:

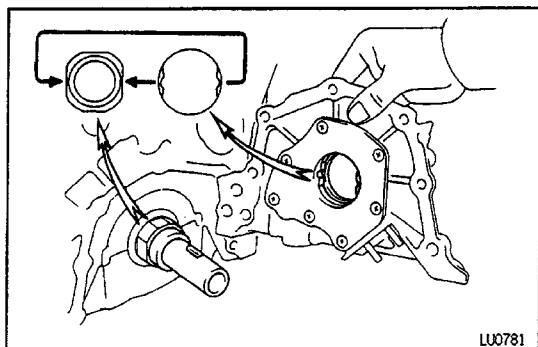
Part No. 08826-00080 or equivalent



- Install nozzle that has been cut out to a 2–3 mm (0.08–0.12 in.) opening.

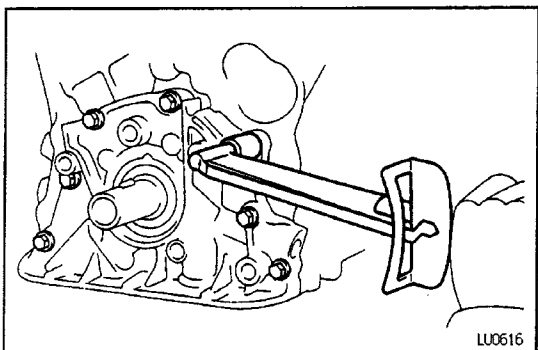
HINT: Avoid applying an excessive amount to the surface.

- Parts must be assembled within 5 minutes of application. Otherwise the material must be removed and reapplied.
- Immediately remove nozzle from the tube and reinstall cap.



(c) Place a new O-ring into the groove of cylinder block.

(d) Install the oil pump to the crankshaft with the spline teeth of the drive rotor engaged with the large teeth of the crankshaft.



(e) Install the oil pump with the seven bolts.

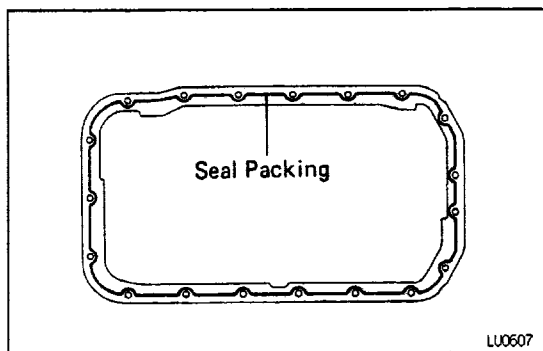
Torque: 20 N-m (200 kgf-cm, 14 ft-lbf)

2. CLEAN OIL PAN BAFFLE PLATE AND OIL PAN

Remove any old packing (FIPG) material and be careful not to drop any oil on the contacting surfaces of the oil pan baffle plate, oil pan, cylinder block and sealing grooves.

- Using a razor blade and gasket scraper, remove all the remaining seal packing (FIPG) material from the gasket surfaces.
- Thoroughly clean all components to remove all the loose material.
- Clean both sealing surfaces with a non-residue solvent.

NOTICE: Do not use a solvent which will affect the painted surfaces.



3. INSTALL OIL PAN Baffle PLATE

Apply seal packing to the baffle plate as shown in the illustration.

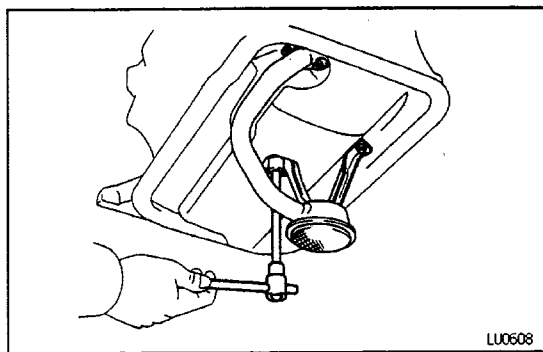
Seal packing:

Part No. 08826-00080 or equivalent

- Install a nozzle that has been cut to a 3 – 4 mm (A 12 – 0.16 in.) opening.

HINT: Avoid applying an excess amount to the surface.

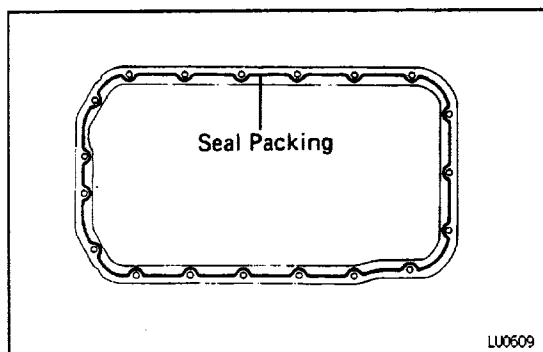
- If parts are not assembled within 5 minutes of applying the seal packing, the effectiveness of the seal packing is lost and the seal packing must be removed and reapplied.
- Immediately remove the nozzle from the tube and reinstall the cap after using the seal packing.



4. INSTALL OIL STRAINER

Place a new gasket and install the oil strainer with the two nuts and two bolts.

Torque: 6.9 N-m (70 kgf-cm, 61 in.-lbf)



5. INSTALL OIL PAN

(a) Apply seal packing to the oil pan as shown in the illustration.

Seal packing:

Part No. 08826-00080 or equivalent

- Install a nozzle that has been cut to a 3 – 4 mm (0.12 – 0.16 in.) opening.

HINT: Avoid applying an excess amount to the surface.

- If parts are not assembled within 5 minutes of applying the seal packing, the effectiveness of the seal packing is lost and the seal packing must be removed and reapplied.
- Immediately remove the nozzle from the tube and reinstall the cap after using the seal packing.

(b) Install the oil pan with the two nuts and seventeen bolts.

Torque: 5.9 N-m (60 kgf-cm, 52 in.-M)

6. INSTALL CRANKSHAFT TIMING PULLEY

(See step 6 on page [EG2-42](#))

7. INSTALL TIMING BELT

(See page [EG2-41](#))

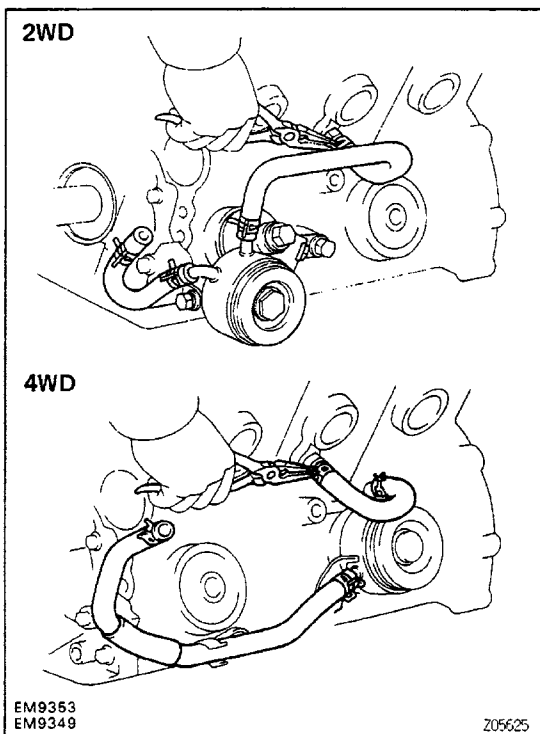
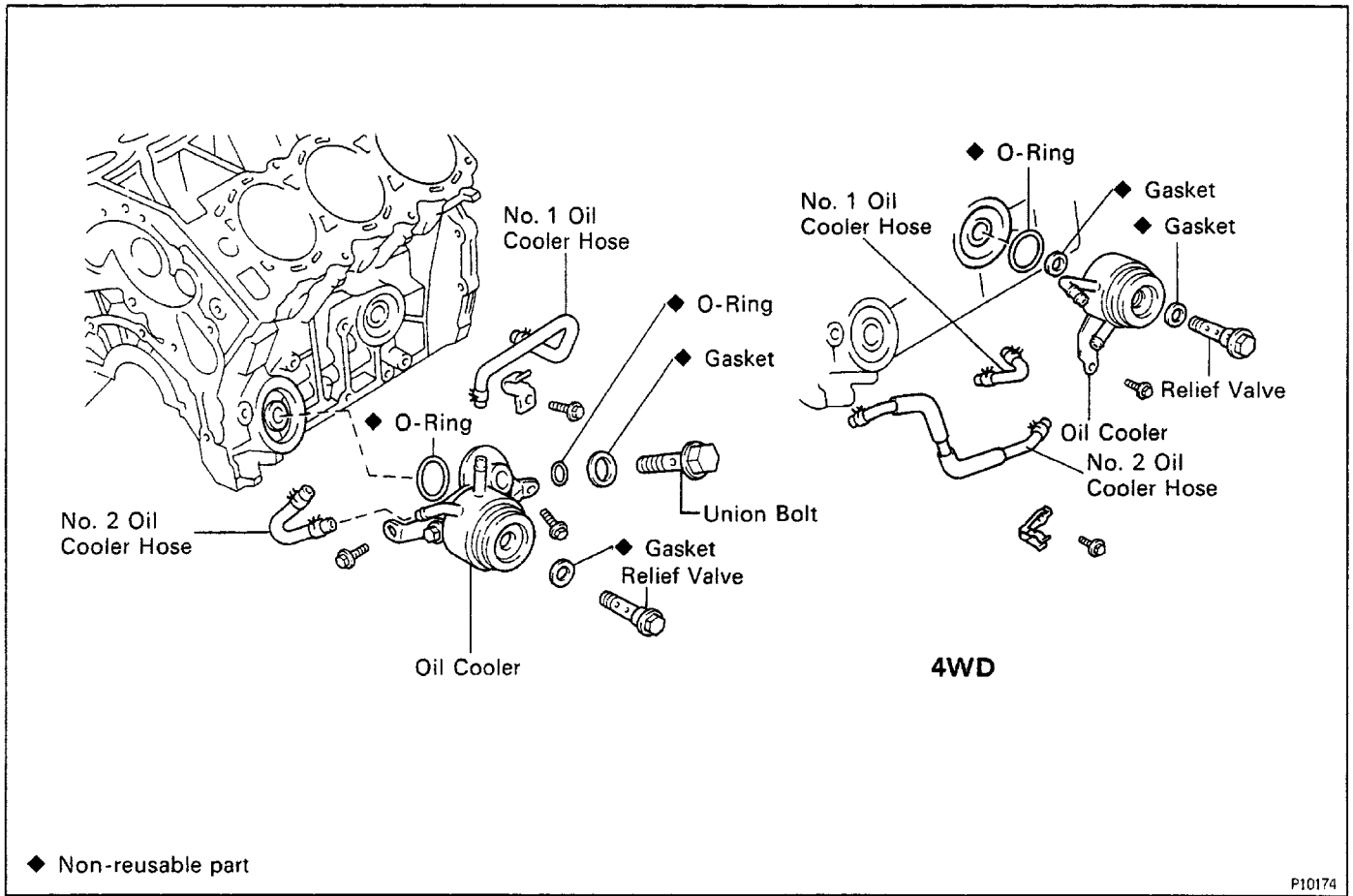
8. (4WD)**INSTALL FRONT DIFFERENTIAL**

(See page [SA-106](#))

9. ENGINE UNDER COVER**10. FILL WITH ENGINE OIL****11. START ENGINE AND CHECK FOR LEAKS****12. RECHECK ENGINE OIL LEVEL**

OIL COOLER COMPONENTS

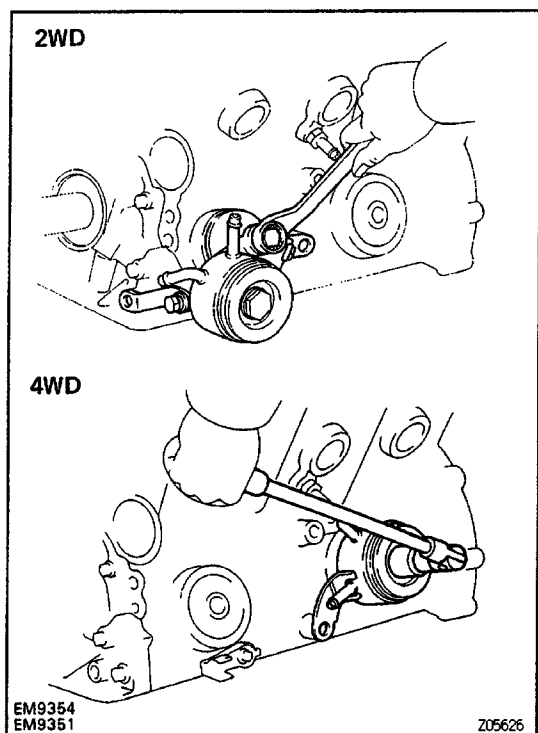
EG20M-03



OIL COOLER REMOVAL

1. DRAIN ENGINE COOLANT
 2. DISCONNECT OIL COOLER HOSES
- Disconnect the No.1 and No.2 oil cooler hoses.

EG20N-03

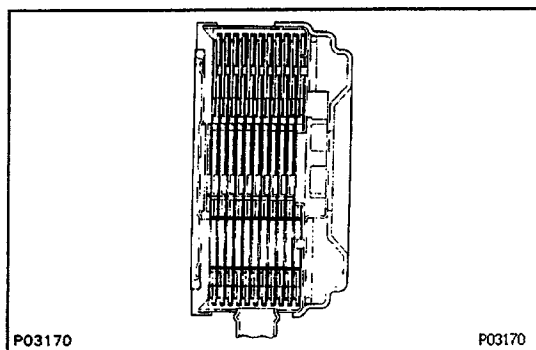


3. REMOVE OIL COOLER (2WD)

Remove the two bolts, union bolt, relief valve, gaskets and oil cooler.

(4W D)

Remove the bolt, relief valve, gaskets and oil cooler.



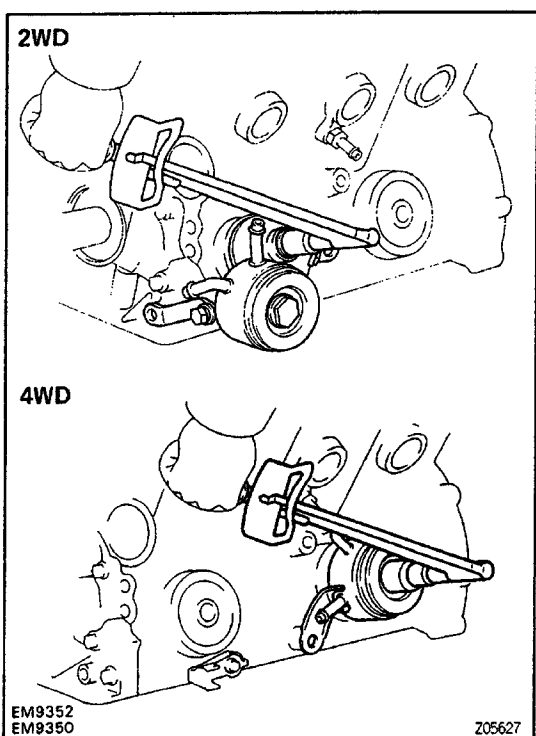
OIL COOLER INSPECTION

INSPECT OIL COOLER

Check the oil cooler for damage or clogging.

If necessary, replace the oil cooler.

EG1CZ-01



OIL COOLER INSTALLATION

(See components)

1. INSTALL OIL COOLER

(a) Replace the O-ring(s) with a new part.

(b) (2WD)

- Install the oil cooler with the relief valve, union bolt and three new gaskets.

Torque: 59 N-m (600 kgf-cm, 43 ft-lbf)

- Install and torque the two bolts.

Torque: 39 N-m (400 kgf-cm, 29 ft-lbf)

(4WD)

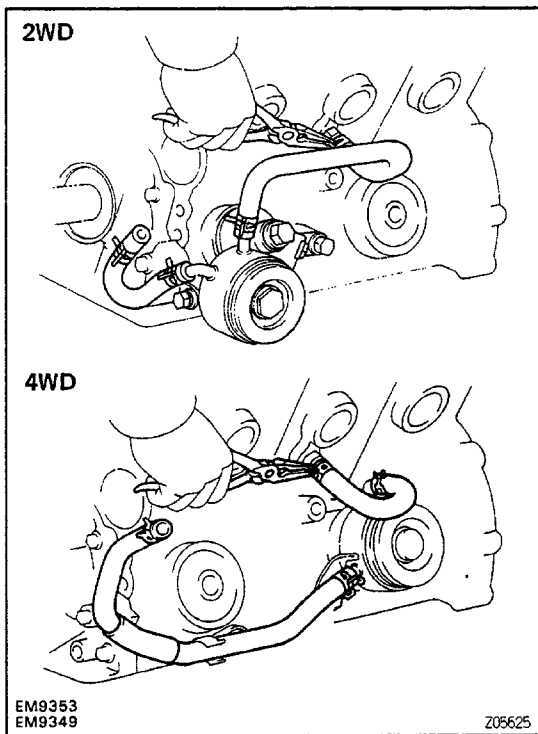
- Install the oil cooler with the relief valve and two new gaskets.

Torque: 59 N-m (600 kgf-cm, 43 ft-lbf)

- Install and torque the two bolts.

Torque: 39 N-m (400 kgf-cm, 29 ft-lbf)

EG20P-03



2. CONNECT OIL COOLER HOSES

Connect the No.1 and No.2 oil cooler hoses.

3. FILL WITH ENGINE COOLANT
4. START ENGINE AND CHECK FOR LEAKS
5. RECHECK ENGINE OIL LEVEL

SERVICE SPECIFICATIONS

EG1D1-01

SERVICE DATA

Oil pressure	At idle speed (normal operating temperature) At 3,000 rpm (normal operating temperature)		29 kPa (0.3 kgf/cm², 4.3 psi) or more 245 - 520 kPa (2.5 - 5.3 kgf/cm², 36 - 75 psi)
Oil pump	Body clearance	STD Limit	0.10 - 0.13 mm (0.0039 - 0.0051 in.) 0.30 mm (0.0118 in.)
	Tip clearance	STD Limit	0.11 - 0.24 mm (0.0043 - 0.0094 in.) 0.35 mm (0.0138 in.)
	Side clearance	STD Limit	0.03 - 0.09 mm (0.0012 - 0.0035 in.) 0.15 mm (0.0059 in.)
	Relief valve operating pressure		451 - 530 kPa (4.6 - 5.4 kgf/cm², 65 - 77 psi)

EG1D2-01

TORQUE SPECIFICATIONS

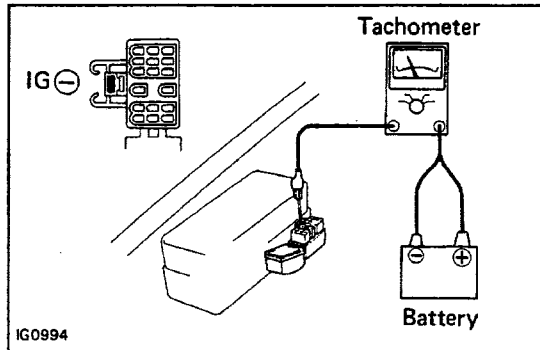
Part tightened	N-m	kgf-cm	ft-lbf
Oil pressure sender gauge x Cylinder block	15	150	11
Oil pump x Cylinder block	20	200	14
Oil pump x Relief valve	37	375	27
Oil pump x Oil pump body cover	10	105	8
Oil strainer x Cylinder block	6.9	70	61 in.-lbf
Oil pan x Cylinder block	5.9	60	52 in.-lbf
Oil cooler x Relief valve	59	600	43
Oil cooler x Cylinder block	39	400	29

IGNITION SYSTEM

(22R -E)

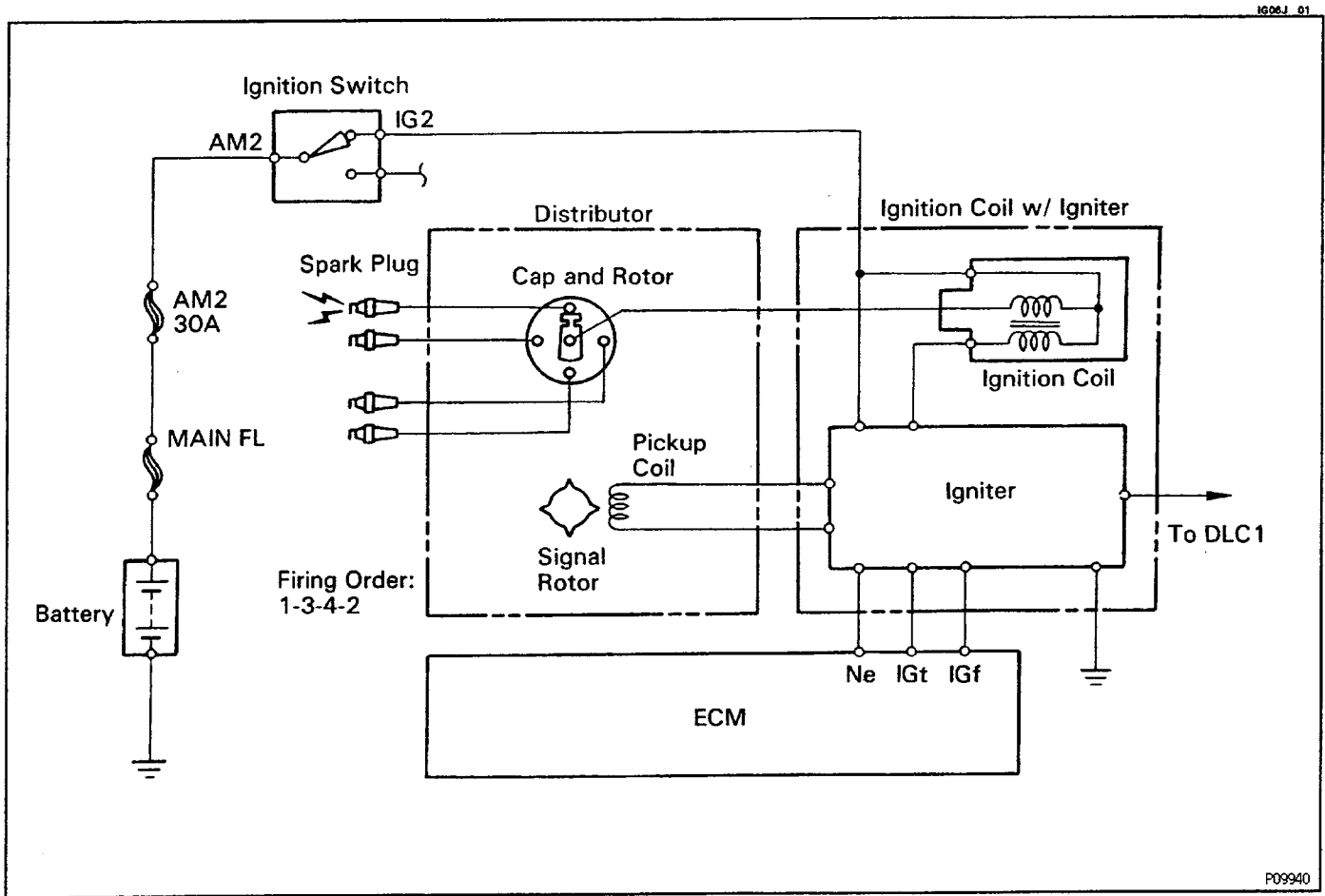
PRECAUTIONS

1. Do not allow the ignition switch to be ON for more than 10 minutes if the engine will not start.



2. When a tachometer is connected to the system, connect the tachometer test probe to the IG(-) terminal of the DLC 1.
3. As some tachometers are not compatible with this ignition system, we recommend that you confirm the compatibility of your unit before use.
4. Never allow the ignition coil terminals to touch ground as it could result in damage to the igniter and/or ignition coil.
5. Do not disconnect the battery when the engine is running.
6. Make sure that the igniter properly grounded to the body.

SYSTEM CIRCUIT




ELECTRONIC SPARK ADVANCE (ESA)

The ECM is programmed with data for optimum ignition timing under any and all operating conditions. Using data provided by sensors which monitor various engine functions (rpm, intake air volume, engine temperature, etc.) the microcomputer (ECM) triggers the spark at precisely the right instant.

PREPARATION



SST (SPECIAL SERVICE TOOLS)

IG00R-04

	<p>09843-18020 Diagnosis Check Wire</p>	
---	---	--

RECOMMENDED TOOLS

IG00S-02

	<p>09082-00015 TOYOTA Electrical Tester</p>	
	<p>09200-00010 Engine Adjust Kit</p>	

EQUIPMENT

IG00T-01

<p>Megger insulation resistancenneter</p>	<p>Insulation resistance meter</p>
<p>Spark plug cleaner</p>	
<p>Tachometer</p>	
<p>Timing light</p>	<p>Ignition timing</p>

SSM (SPECIAL SERVICE MATERIALS)

IG00U-02

<p>08826-00080 Seal packing or equivalent</p>	<p>Ignition coil</p>
---	----------------------

ON-VEHICLE INSPECTION

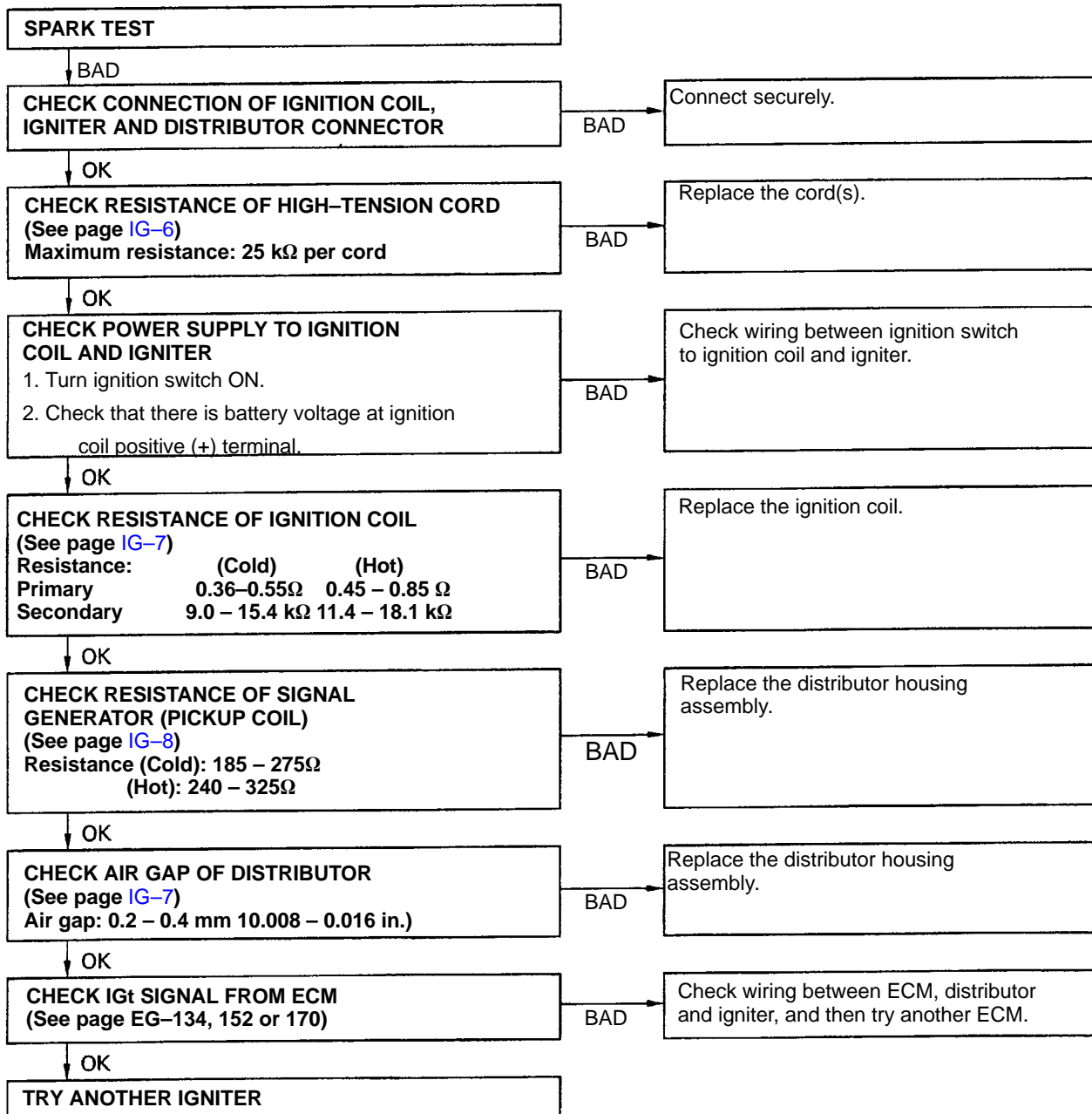
SPARK TEST

IG06L-01

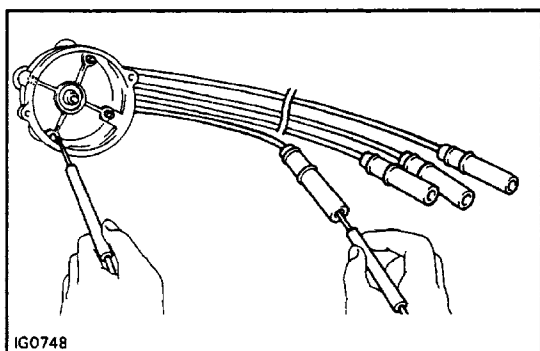
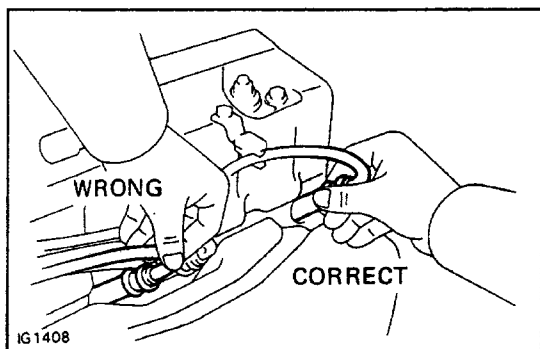
- Disconnect high-tension cord from the distributor.
- Hold the cord end approx. 12.5 mm (0.50 in.) from engine ground of vehicle.
- Check if spark occurs while engine is being cranked.

HINT: To prevent gasoline from being injected from injectors during this test, crank the engine for no more than 1 – 2 seconds at a time.

If the spark does not occur, perform the test as follows.



V01995



HIGH-TENSION CORD INSPECTION IG06M-01

1. CAREFULLY REMOVE HIGH-TENSION CORDS BY THEIR RUBBER BOOTS FROM SPARK PLUGS
CAUTION: Do not pull on or bend the cords to avoid damaging the conductor inside.

2. INSPECT HIGH-TENSION CORD TERMINALS
 Check the terminals for corrosion, breaks or distortion.

Replace cords as required.

3. INSPECT HIGH-TENSION CORD RESISTANCE
 Using an ohmmeter, check that the resistance does not exceed the maximum.

Maximum resistance:

25 k Ω per cord

If the resistance exceeds maximum, check the terminals. If any defect has been found, replace the high-tension cord and/or distributor cap.

SPARK PLUGS INSPECTION IG06N-01

1. REMOVE SPARK PLUGS

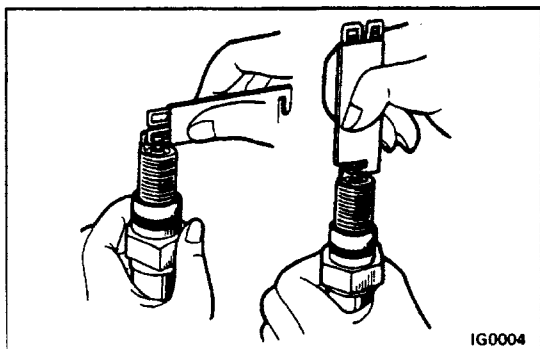
2. CLEAN AND INSPECT SPARK PLUGS

- (a) Clean the spark plugs with a spark plug cleaner or wire brush.
- (b) Inspect the spark plugs for electrode wear, thread damage and insulator damage.
 If a problem is found, replace the plugs.

Spark plug:

ND W16EXR-U

NGK BPR5EY



3. ADJUST ELECTRODE GAP

Carefully bend the outer electrode to obtain the correct electrode gap.

Correct electrode gap:

0.8 mm (0.031 in.)

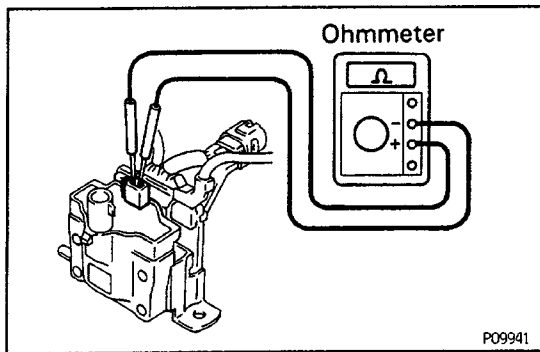
4. INSTALL SPARK PLUGS

Torque: 18 N-m (180 kgf-cm, 13 ft-lbf)

IGNITION COIL INSPECTION

NOTICE: "Cold" and "Hot" in the following sentences express the temperature of the coils themselves. "Cold" is from -10°C (14°F) to 50°C (104°F) and "Hot" is from 50°C (104°F) to 100°C (212°F).

1. DISCONNECT HIGH-TENSION CORD
2. CLEAN COIL AND CHECK FOLLOWING:
 - (a) Check for cracks or damage.
 - (b) Check the terminals for carbon tracks.
 - (c) Check the high-tension cord hole for carbon deposits and corrosion.

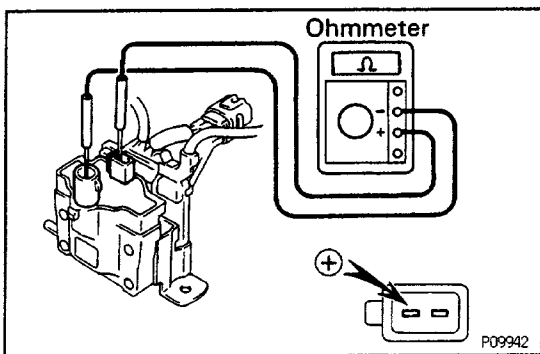


3. MEASURE PRIMARY COIL RESISTANCE

Using an ohmmeter, measure the resistance between the positive (+) and negative (-) terminals.

Primary coil resistance (Cold): $0.36-0.55\Omega$

Primary coil resistance (Hot) : $0.45-0.65\Omega$



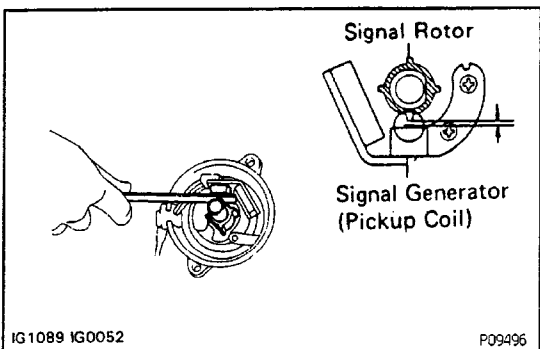
4. MEASURE SECONDARY COIL RESISTANCE

Using an ohmmeter, measure the resistance between the positive (+) terminal and high-tension terminal.

Secondary coil resistance (Cold): $9.0-15.4\text{k}\Omega$

Secondary coil resistance (Hot) : $11.4-18.1\text{k}\Omega$

5. CONNECT HIGH-TENSION CORD



DISTRIBUTOR INSPECTION

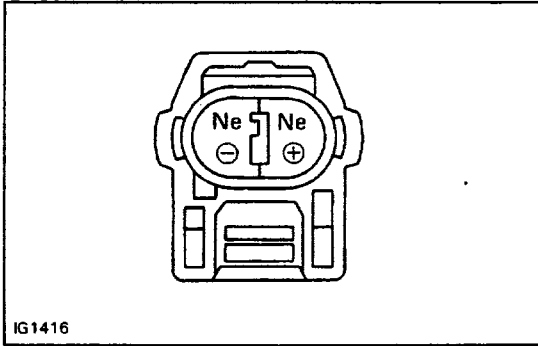
1. INSPECT AIR GAP

Using a thickness gauge, measure the gap between the signal rotor and the signal generator (pickup coil) projection.

Air gap:

0.2-0.4mm(0.008-0.015in.)

If the air gap is not as specified, replace the housing distributor assembly



IG1416

2. CHECK SIGNAL GENERATOR (PICKUP COIL)

Using an ohmmeter, check the resistance of the signal generator (pickup coil).

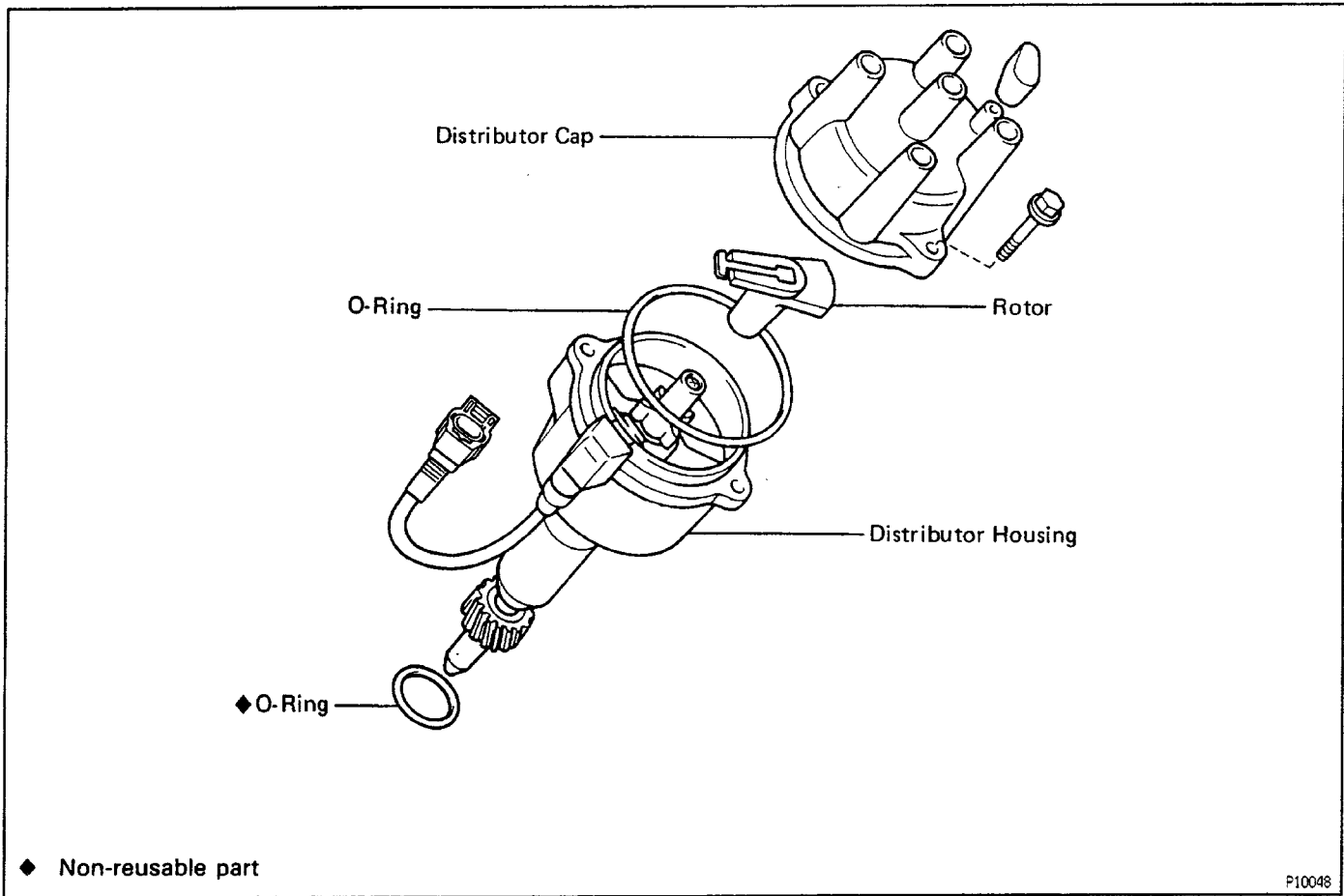
Generator resistance (Cold): 185–2750

Generator resistance (Hot): 240–325Ω

If the resistance is not as specified, replace the distributor housing assembly.

DISTRIBUTOR COMPONENTS

IG06R-01



IG06S-01

DISTRIBUTOR REMOVAL

1. DISCONNECT HIGH - TENSION CORDS AND WIRING CONNECTOR
2. REMOVE TWO SCREWS AND PULL OFF DISTRIBUTOR CAP
3. REMOVE HOLD - DOWN BOLT AND PULL OUT DISTRIBUTOR

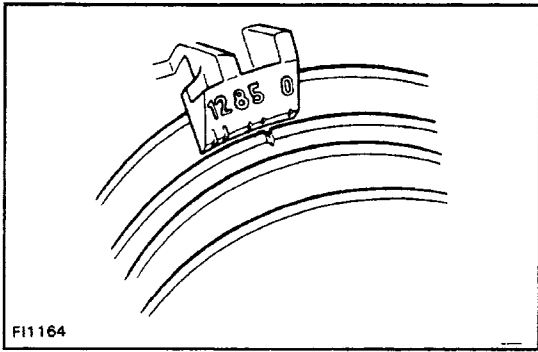
IG06T-01

DISTRIBUTOR INSTALLATION

1. INSTALL DISTRIBUTOR AND SET TIMING

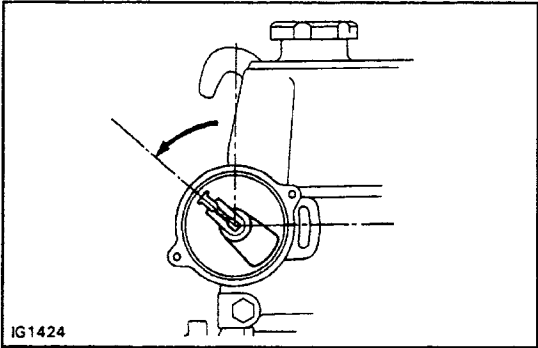
(a) Install a new O-ring to the distributor.

HINT: Always use a new O-ring when installing the distributor.

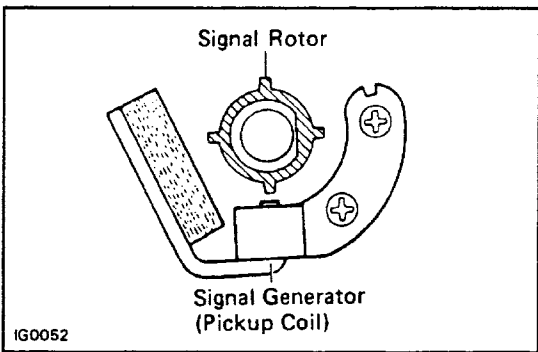


- (b) Turn the crankshaft pulley until No. 1 cylinder is in compression stroke and the timing mark is aligned with 5 • 6TDC mark.

HINT: Check that the rocker arms on the No. 1 cylinder are loose. If not, turn the crankshaft one full turn.



- (c) Temporarily install the rotor.
 (d) Begin insertion of the distributor with the rotor pointing upward and the distributor mounting hole approximately at center position of the bolt hole. When fully installed, the rotor will rotate to the position shown.



- (e) Align the rotor tooth with the signal generator (pickup coil) projection.

Install and torque the distributor mounting bolt.

Torque: 19 N·m (195 kgf·cm, 14 ft·lbf)

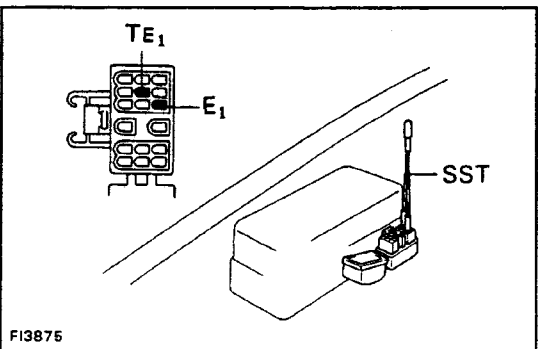
- (f) Install the rotor and distributor cap with wires.

2. CONNECT HIGH-TENSION CORDS AND WIRING CONNECTOR

3. WARM UP ENGINE TO NORMAL OPERATING TEMPERATURE

4. CONNECT TACHOMETER AND TIMING LIGHT TO ENGINE

(See page [IG-2](#))



5. ADJUST IGNITION TIMING

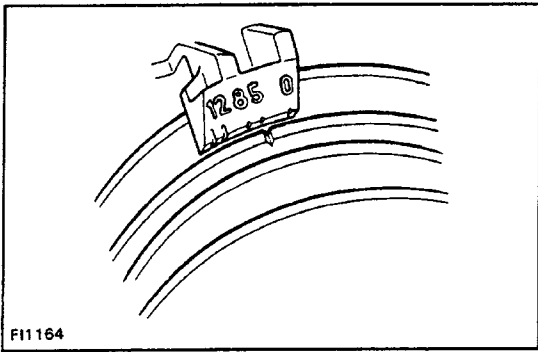
- (a) Using SST, connect terminals TE1 and E1 of the DLC 1.

SST 09843-18020

- (b) Check the idle speed.

Idle speed:

750 rpm



(c) Using a timing light, check the ignition timing.

Ignition timing:

5 • BTDC @ idle

(Transmission in neutral range)

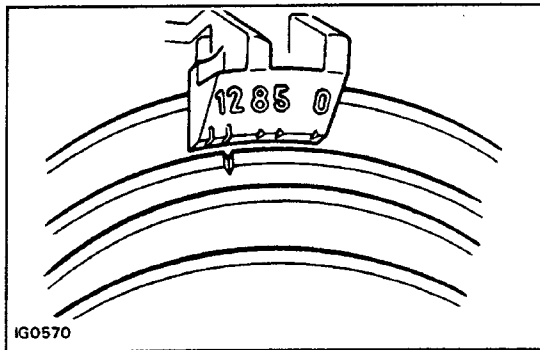
(d) Loosen the hold-down bolt, and adjust by turning the distributor.

(e) Tighten the hold-down bolt, and recheck the ignition timing.

Torque: 19 N-m (195 kgf-cm, 14 ft-lbf)

(f) Remove the SST.

SST 09843-18020



6. FURTHER CHECK IGNITION TIMING

Check that the ignition timing advances.

Ignition timing:

10 - 14 • BTDC @ idle

7. DISCONNECT TACHOMETER AND TIMING LIGHT FROM ENGINE

SERVICE SPECIFICATIONS

IG06U-01

SERVICE DATA

Spark plug	Type	ND NGK	W16EXR-U BPR5EY
	Gap		0.8 mm 0.031 in.
High-tension cord	Resistance	Limit	25 k Ω per cord
Ignition coil	Primary coil resistance (Cold)		0.36 - 0.55 Ω
	Primary coil resistance (Hot)		0.45 - 0.65 Ω
	Secondary coil resistance (Cold)		9.0 - 15.4 k Ω
	Secondary coil resistance (Hot)		11.4 - 18.1 k Ω
Distributor	Air gap		0.2 - 0.4 mm (0.008 - 0.016 in.)
	Pickup coil resistance (Cold)		185 - 275 Ω
	Pickup coil resistance (Hot)		240 - 325 Ω

IG06V-01

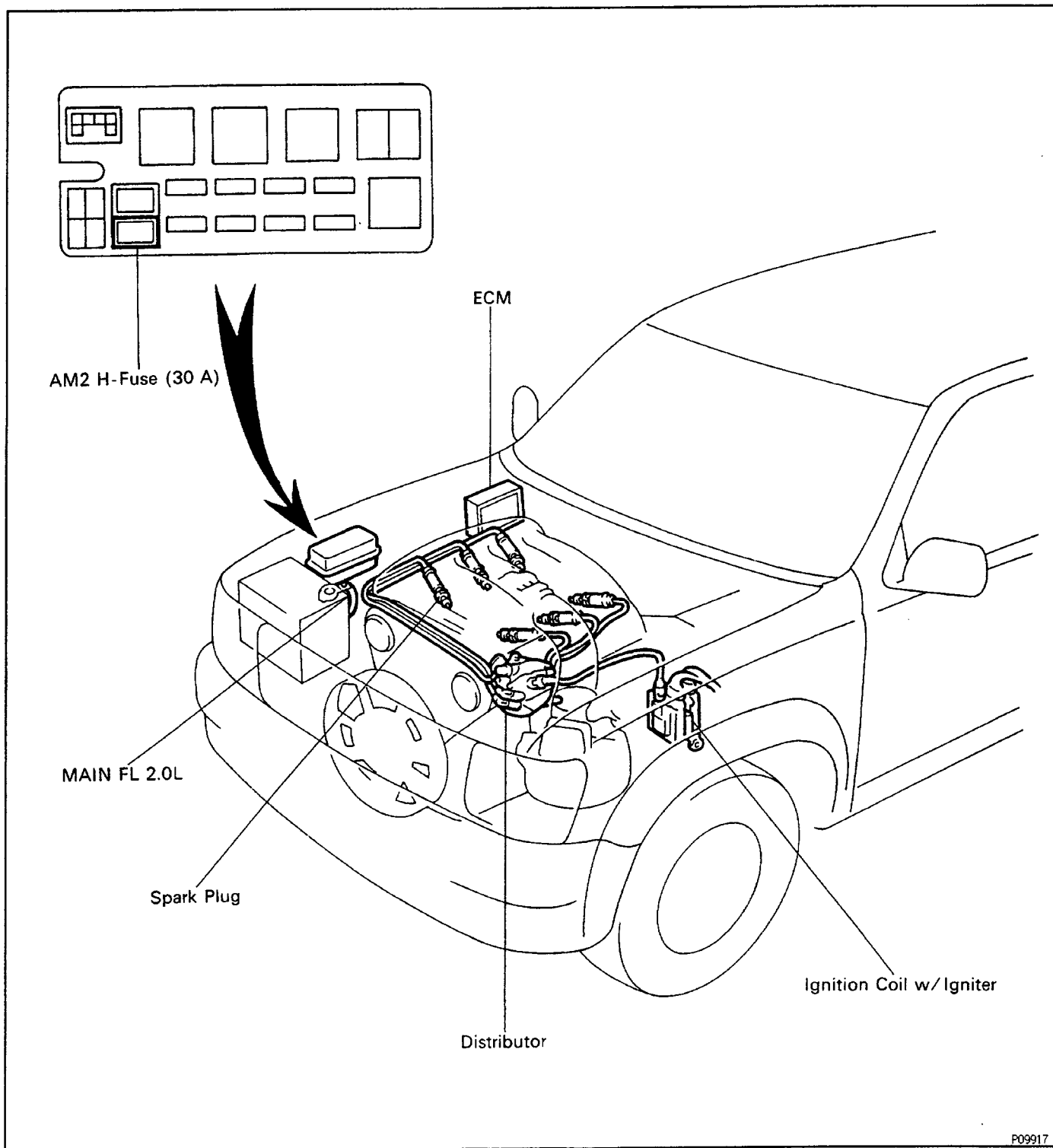
TORQUE SPECIFICATIONS

Part tightened	N·m	kgf·cm	ft·lbf
Spark plug x Cylinder head	18	180	13
Distributor x Cylinder head	19	195	14

(3VZ-E)

DESCRIPTION

The ECM is programmed with data for optimum ignition timing under all operating conditions. Using data provided by sensors which monitor various engine functions (RPM, intake air volume, engine coolant temperature, etc.), the microcomputer (ECM) triggers the spark at precisely the right instant.



The ECM monitors the engine condition by signals from each sensor, calculates the ignition timing and sends an ignition signal to the igniter. High voltage from the ignition is distributed to each spark plug in the appropriate order to generate a spark between the electrodes, which ignites the air–fuel mixture.

IGNITER

The igniter temporarily interrupts the primary current with the ignition signal (IGT signal) from the ECM and generates sparks at the spark plug. Also, as a fail–safe measure, when ignition occurs an ignition confirmation signal (IGF signal) is sent to the ECM.

IGNITION COIL

The ignition coil uses a closed core coil with the primary coil wrapped around the core and the secondary coil wrapped around the primary coil. This allows the generation of a high voltage sufficient to cause a spark to jump across the spark plug gap.

DISTRIBUTOR

This correctly distributes high voltage to the spark plug of each cylinder in the specified ignition order.

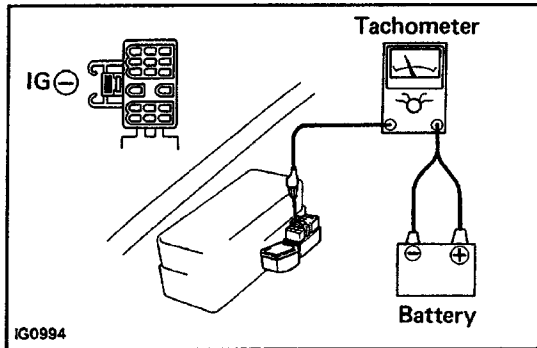
PICKUP COILS

The NE coil detects the crankshaft position, and the G 1 and G2 coils detect the camshaft position.

PRECAUTIONS

IG051-02

1. Do not leave the ignition switch on for more than 10 minutes if the engine does not start.





2. With a tachometer is connected to the system, connect the tachometer positive terminal to the IG (-) terminal of the DLC1.

3. As some tachometers are not compatible with this ignition system, we recommend that you confirm the compatibility of your unit before use.
4. NEVER allow the tachometer terminals to touch ground as it could result in damage to the igniter and/or ignition coil.
5. Do not disconnect the battery while the engine is running.
6. Make sure that the igniter is properly grounded to the body.

PREPARATION



SST (SPECIAL SERVICE TOOLS)

IG064-01

	<p>09240-00020 Wire Gauge Set</p>	<p>Air gaps of G 1 and G2 pickups</p>
	<p>09843-18020 Diagnosis Check Wire</p>	

IG065-01

RECOMMENDED TOOLS

	<p>09082-00015 TOYOTA Electrical Tester</p>	
	<p>09200-00010 Engine Adjust Kit</p>	

IG066-01

EQUIPMENT

<p>Spark plug cleaner</p>	
<p>Tachometer</p>	
<p>Timing light</p>	<p>Ignition timing</p>

ON-VEHICLE INSPECTION

SPARK TEST

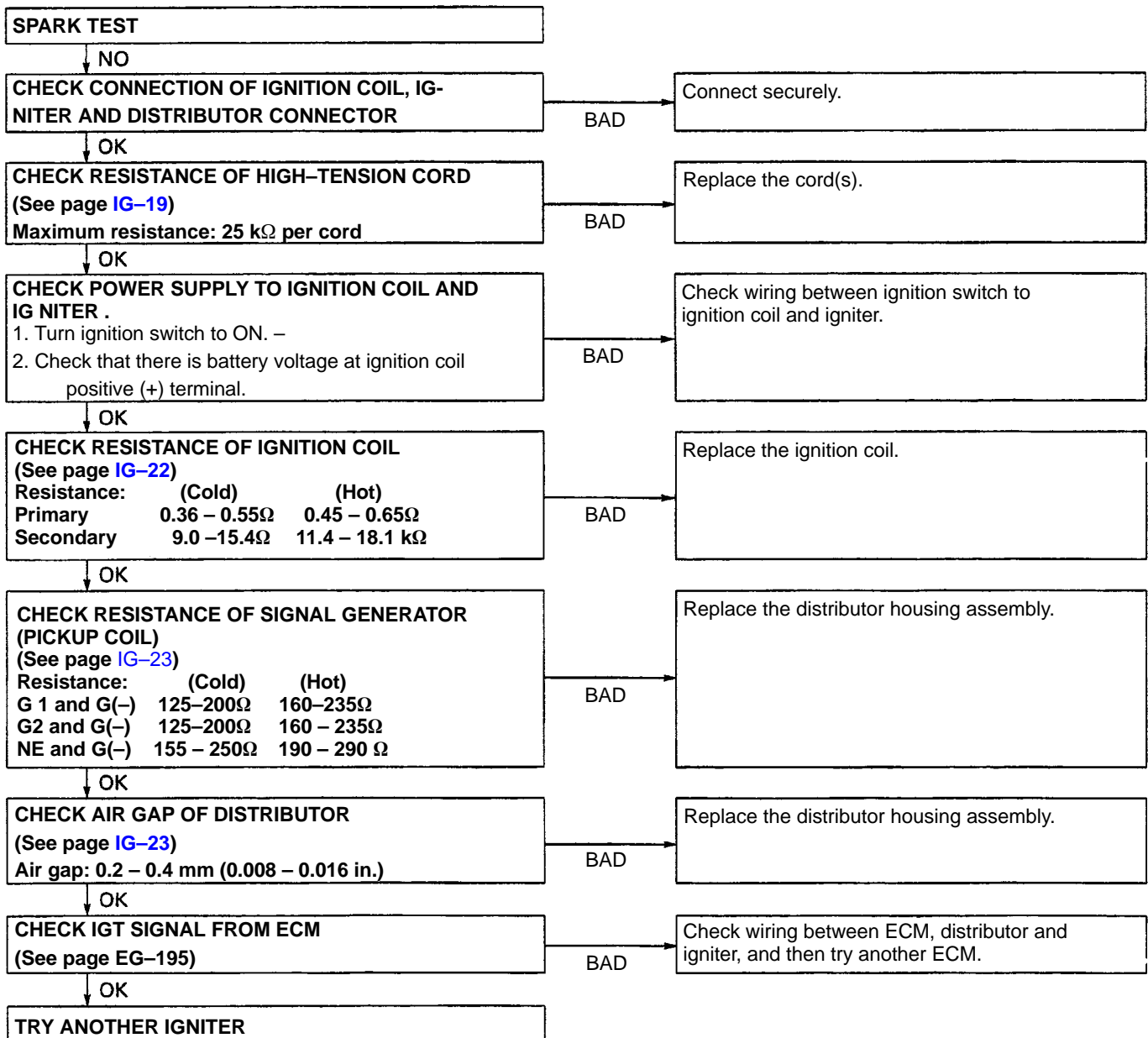
10087-00

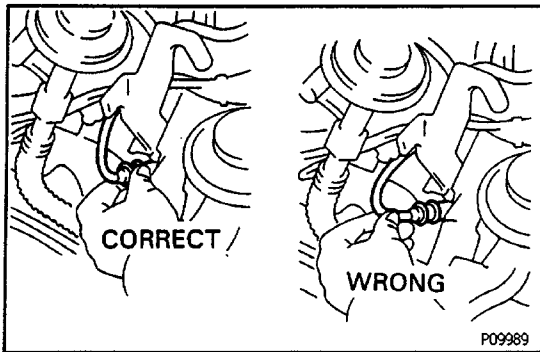
CHECK THAT SPARK OCCURS

- (a) Disconnect high-tension cord from the distributor.
- (b) Hold the end approx. 12.5 mm (0.50 in.) from engine ground of vehicle.
- (c) See if spark occurs while engine is being cranked.

HINT: To prevent gasoline from being injected from injectors during this test, crank the engine for no more than 1 – 2 seconds at a time.

If the spark does not occur, perform the test as follows:





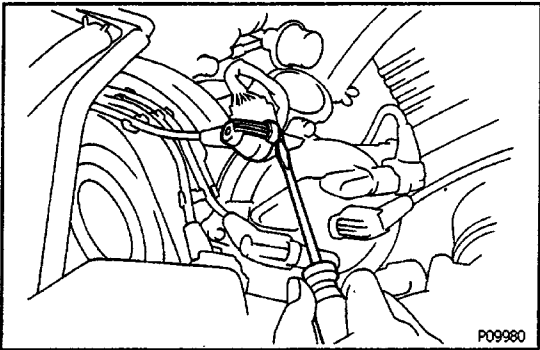
HIGH-TENSION CORDS INSPECTION ^{IG06X-01}

1. DISCONNECT HIGH -TENSION CORDS FROM SPARK PLUGS

Disconnect the high - tension cords at the rubber boot.

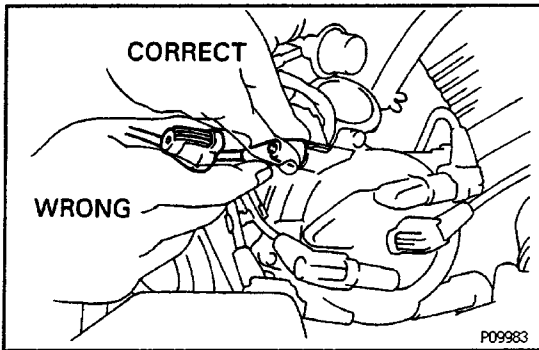
DO NOT pull on the cords.

NOTICE: Pulling on or bending the cords may damage the conductor inside.



2. DISCONNECT HIGH-TENSION CORDS FROM DISTRIBUTOR CAP AND IGNITION COIL

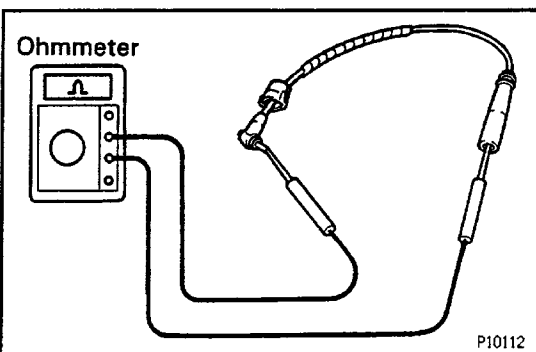
(a) Using a screwdriver, lift up the lock claw and disconnect the holder from the distributor cap (ignition coil).



(b) Disconnect the high-tension cord at the grommet. DO NOT pull on the cord.

NOTICE:

- Pulling on or bending the cords may damage the conductor inside.
- Do not wipe any of the oil from the grommet after the high-tension cord is disconnected.



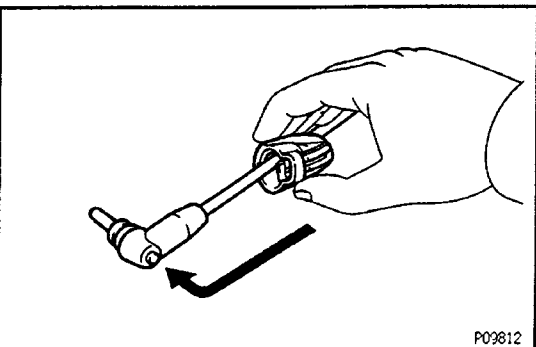
3. INSPECT HIGH-TENSION CORD RESISTANCE

Using an ohmmeter, measure the resistance.

Maximum resistance:

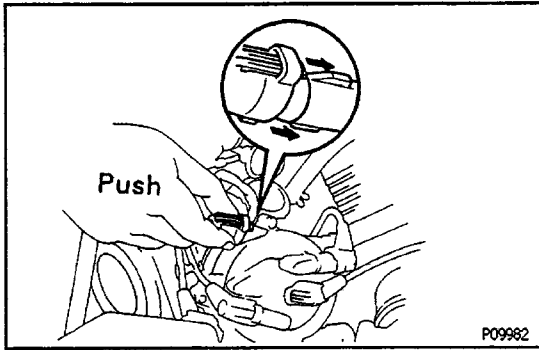
25 kΩ per cord

If the resistance is greater than maximum, check the terminals. If necessary, replace the high - tension cord.

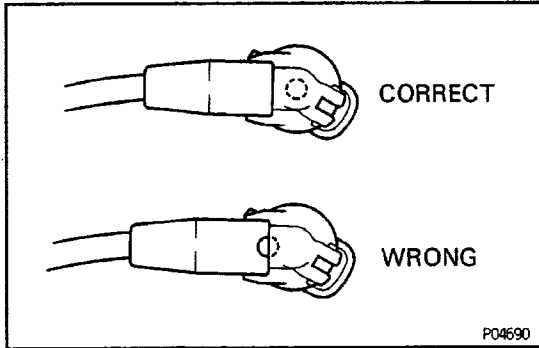


4. RECONNECT HIGH-TENSION CORDS TO DISTRIBUTOR CAP AND IGNITION COIL

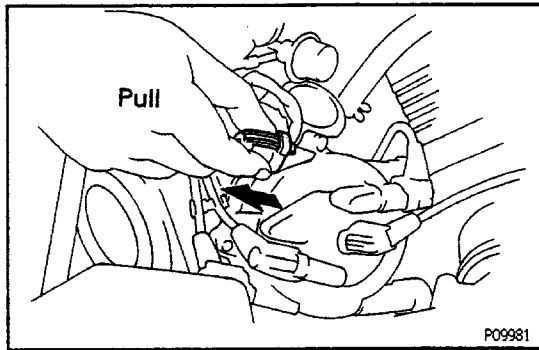
(a) Assemble the holder and grommet.



(b) Align the spline of the distributor (ignition coil) with the spline of the holder, and push in the cord.



NOTICE: Check that the holder is correctly installed to the grommet and distributor cap as shown in the illustration.



(c) Check that the lock claw of the holder is engaged by lightly pulling the holder.

5. RECONNECT HIGH-TENSION CORDS TO SPARK PLUGS

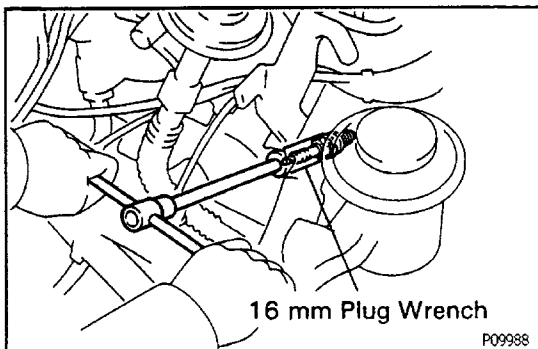
SPARK PLUGS INSPECTION

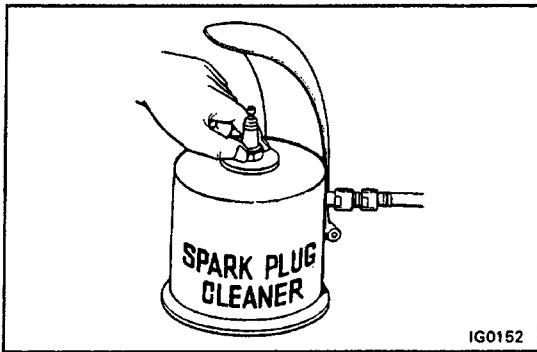
IG08B-01

1. DISCONNECT HIGH-TENSION CORDS FROM SPARK PLUGS

2. REMOVE SPARK PLUGS

Using a 16 mm plug wrench, remove the spark plug.

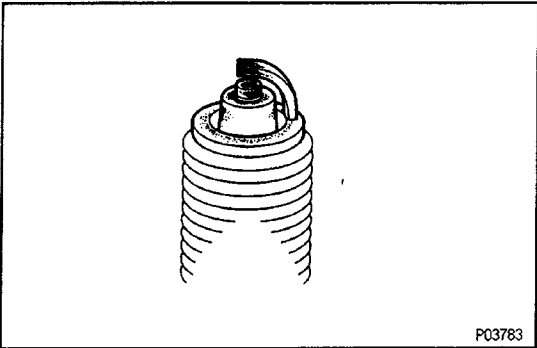




IG0152

3. CLEAN SPARK PLUGS

Using a spark plug cleaner or wire brush, clean the spark plug. .



P03763

4. VISUALLY INSPECT SPARK PLUGS

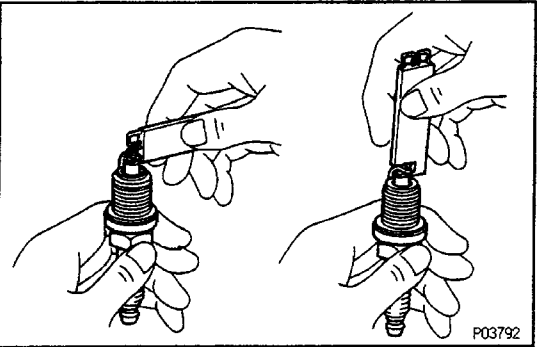
Check the spark plug for electrode wear, thread damage and insulator damage.

If abnormal, replace the spark plug.

Recommended spark plug:

ND K16R- U

NGK BKR5EYA



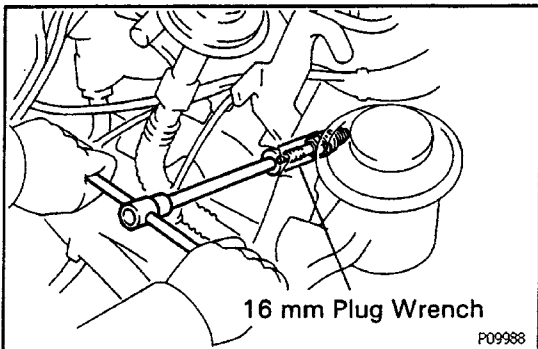
P03792

5. ADJUST ELECTRODE GAP

Carefully bend the outer electrode to obtain the correct electrode gap.

Correct electrode gap:

0.8 mm (0.031 in.)



16 mm Plug Wrench

P09988

6. INSTALL SPARK PLUGS

Using a 16 mm plug wrench, install and torque the spark plug.

Torque: 18 N-m (180 kgf-cm, 13 ft-lbf)

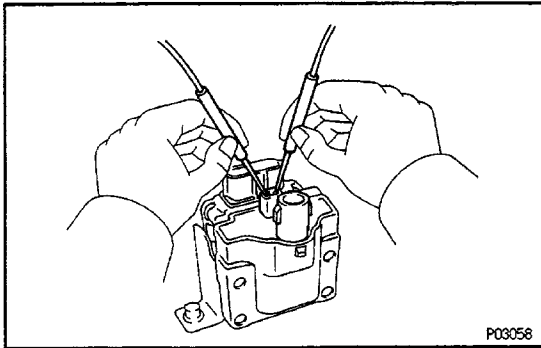
7. RECONNECT HIGH-TENSION CORDS TO SPARK PLUGS

IGNITION COIL INSPECTION

NOTICE: 'Cold' and "Hot" in the following sentences express the temperature of the coils themselves. "Cold" is from -10°C (14°F) to 50°C (122°F) and "Hot" is from 50°C (122°F) to 100°C (212°F).

1. DISCONNECT IGNITION COIL CONNECTOR
2. DISCONNECT HIGH-TENSION CORD
3. CLEAN COIL AND CHECK FOLLOWING:

- (a) Check for cracks or damage.
- (b) Check the terminals for carbon tracks.
- (c) Check the high-tension cord hole for carbon deposits and corrosion.



4. INSPECT PRIMARY COIL RESISTANCE

Using an ohmmeter, measure the resistance between the positive (+) and negative (-) terminals.

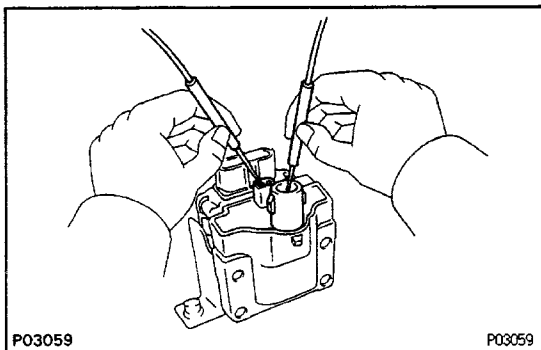
Primary coil resistance (Cold):

0.36–0.55 Ω

Primary coil resistance (Hot):

0.45–0.660

If the resistance is not as specified, replace the ignition coil.



5. INSPECT SECONDARY COIL RESISTANCE

Using an ohmmeter, measure the resistance between the positive (+) terminal and high-tension terminal.

Secondary coil resistance (Cold):

9.0 – 15.4 k Ω

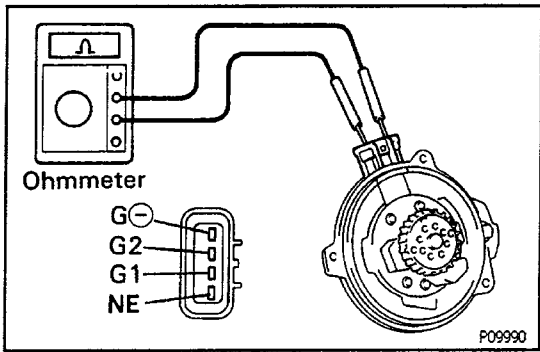
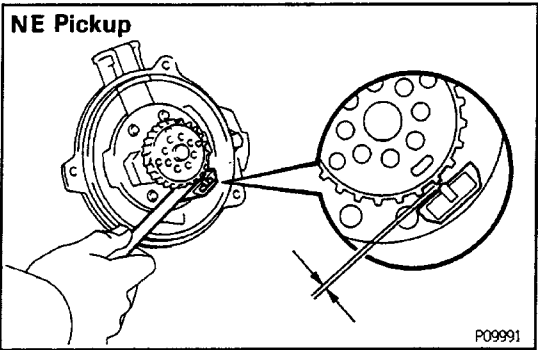
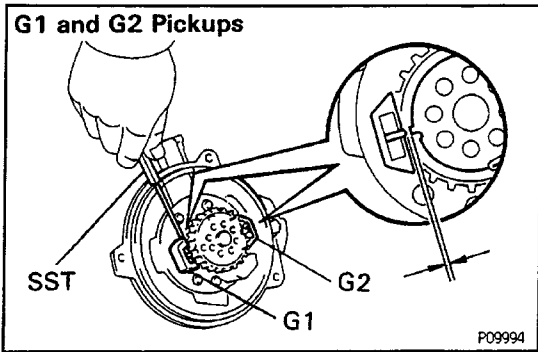
Secondary coil resistance (Hot):

11.4 – 18.1 k Ω

If the resistance is not as specified, replace the ignition coil.

6. RECONNECT HIGH-TENSION CORD
7. RECONNECT IGNITION COIL CONNECTOR

IG06D-01



DISTRIBUTOR INSPECTION

NOTICE: "Cold" and "Hot" in the following sentences express the temperature of the coils themselves "Cold" is from -10°C (14°F) to 50°C (122°F) and "Hot" is from 50°C (122°F) to 100°C (212°F).

1. DISCONNECT DISTRIBUTOR CONNECTOR
2. REMOVE DISTRIBUTOR CAP WITHOUT DISCONNECTING HIGH-TENSION CORDS
3. REMOVE ROTOR
4. INSPECT AIR GAPS

Using SST (G1 and G2 pickups) and a thickness gauge (NE pickup), measure the gap between the signal rotor and pickup coil projection.

SST 09240-00020 for G1 and G2 pickups

Air gap:

0.2 – 0.5 mm (0.008 – 0.020 in.)

If the gap is not as specified, replace the distributor housing assembly.

5. INSPECT SIGNAL GENERATOR (PICKUP COIL) RESISTANCE

Using an ohmmeter, check resistance of the pickup coil.

Pickup coil resistance	Cold (-10 – 50°C)	Hot (50 ~ 100°C)
G1 – G ⁻	125 – 200 Ω	160 – 235 Ω
G2 – G ⁻	125 – 200 Ω	160 – 235 Ω
NE – G ⁻	155 – 250 Ω	190 – 290 Ω

If the resistance is not as specified, replace the distributor housing assembly.

6. REINSTALL ROTOR
7. REINSTALL DISTRIBUTOR CAP
8. RECONNECT DISTRIBUTOR CONNECTOR

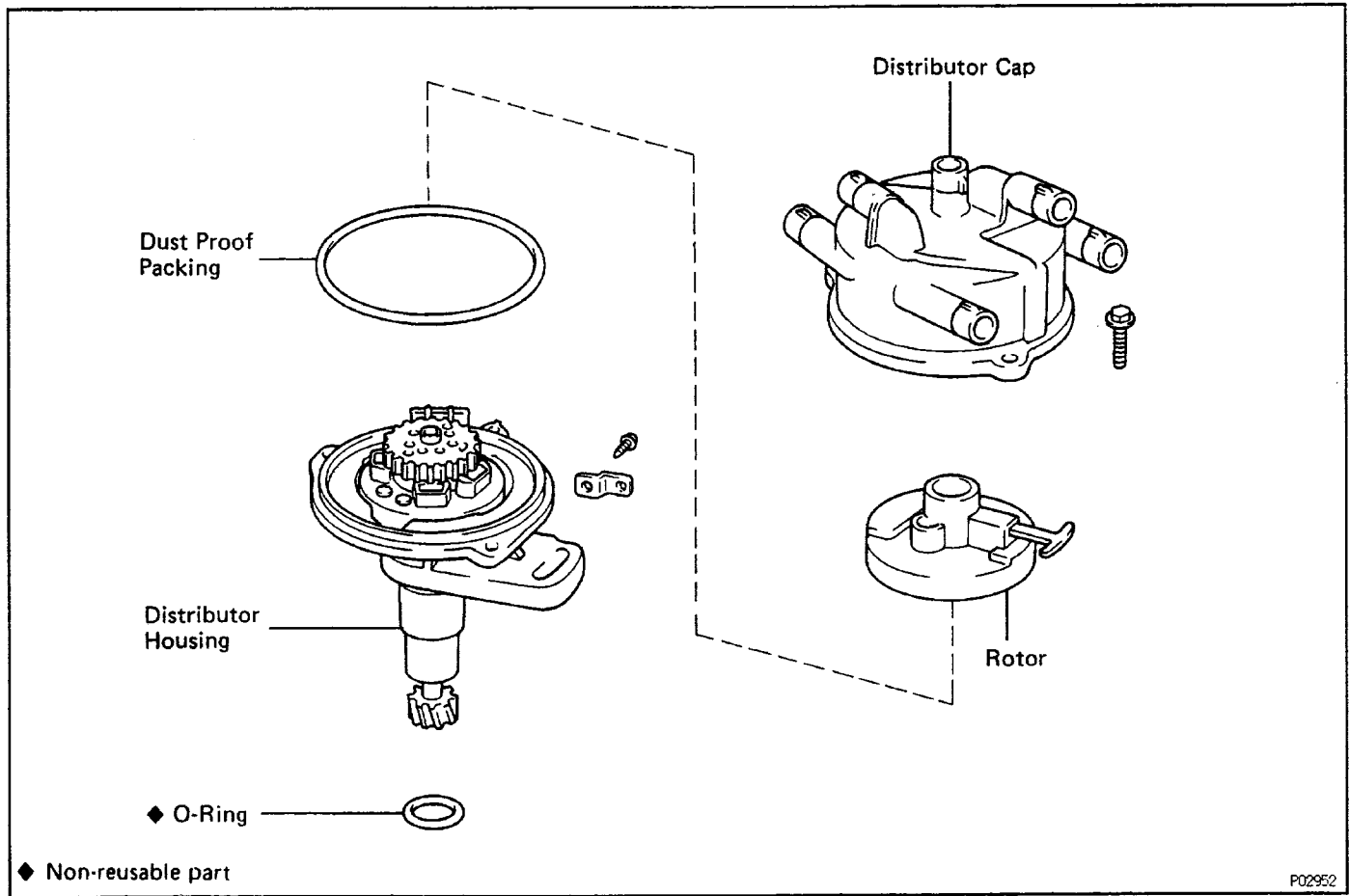
IGNITER INSPECTION

(See procedure Spark Test on page IG-18)

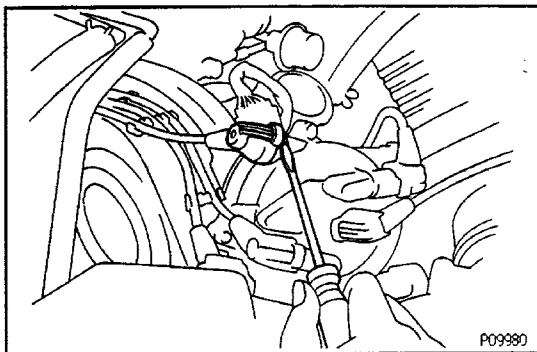
IG06E-01

DISTRIBUTOR COMPONENTS

IG08F-01



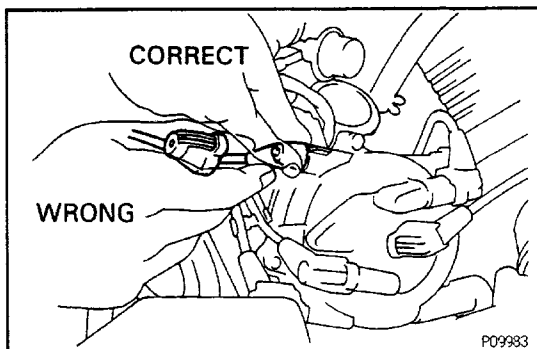
IG08G-01



DISTRIBUTOR REMOVAL

1. DISCONNECT HIGH-TENSION CORDS FROM DISTRIBUTOR CAP

- (a) Using a screwdriver, lift up the lock claw and disconnect the holder from the distributor cap.

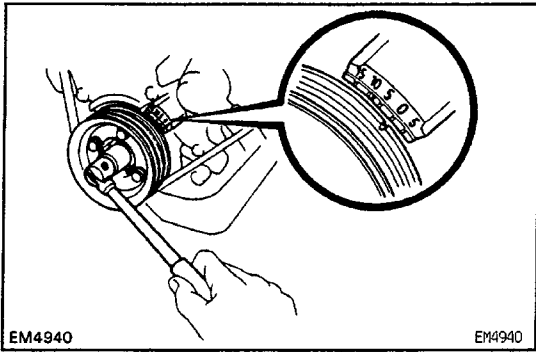


- (b) Disconnect the high-tension cord at the grommet. DO NOT pull on the cord.

NOTICE:

- Pulling on or bending the cords may damage the conductor inside.
- Do not wipe any of the oil from the grommet after the high-tension cord is disconnected.

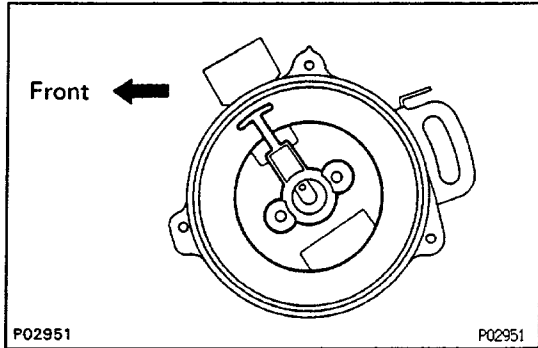
2. DISCONNECT DISTRIBUTOR CONNECTOR



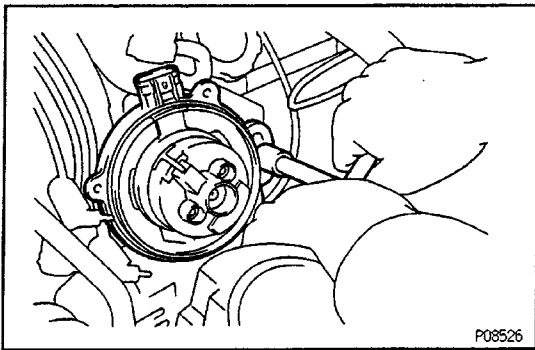
3. REMOVE DISTRIBUTOR CAP AND DUST PROOF PACKING

4. SET NO.1 CYLINDER TO TDC/COMPRESSION

- (a) Turn the crankshaft pulley until the timing mark is aligned with the "0" mark on the No.1 timing belt cover.



- (b) Check that the distributor rotor direction is as shown. If not, turn the crankshaft pulley one complete revolution.



5. REMOVE DISTRIBUTOR

- (a) Remove the hold-down bolt.
- (b) Pull out the distributor from the cylinder head.

6. REMOVE O-RING

DISTRIBUTOR INSTALLATION

IG05D-02

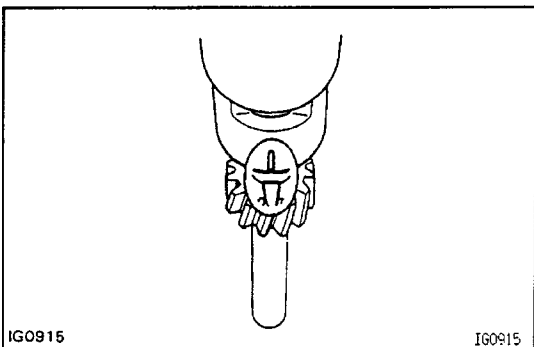
1. CHECK NO.1 CYLINDER TO TDC/COMPRESSION

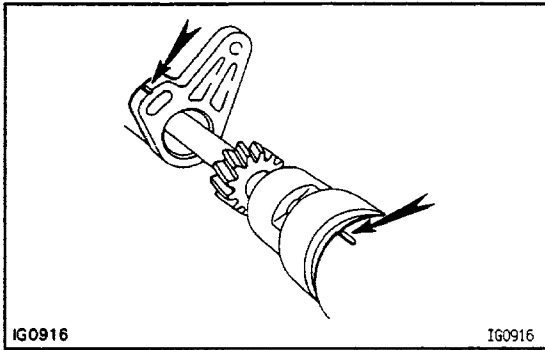
2. INSTALL DISTRIBUTOR

- (a) Install a new O-ring to the distributor.

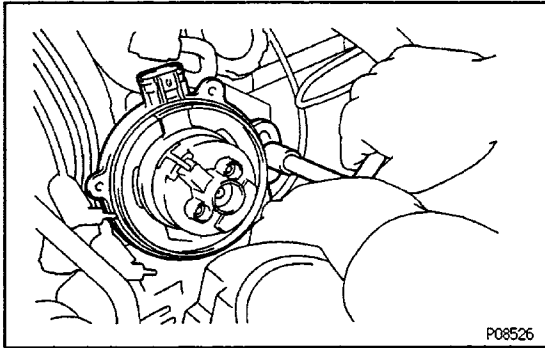
HINT: Always use a new O-ring when installing the distributor.

- (b) Align the protrusion on the driven gear with the groove of the distributor housing.



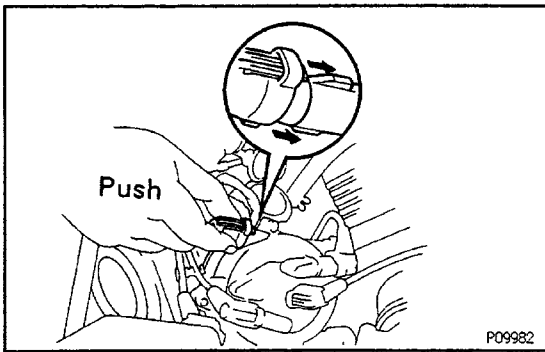


(c) Insert the distributor, aligning the groove of the distributor housing with the groove on the No.4 camshaft bearing cap.



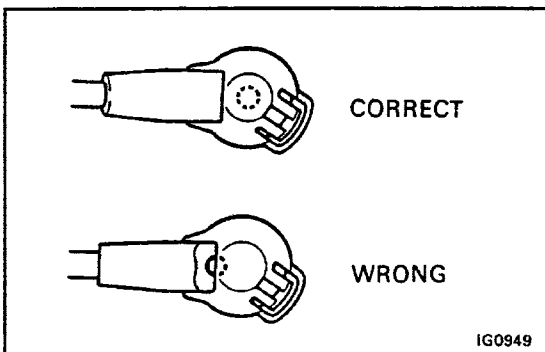
(d) Lightly tighten the hold-down bolt.

3. INSTALL DUST PROOF PACKING AND DISTRIBUTOR CAP

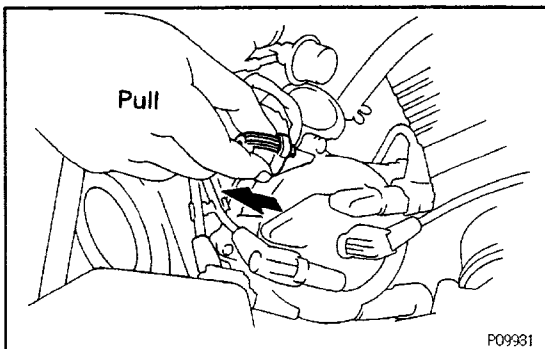


4. CONNECT HIGH-TENSION CORDS TO DISTRIBUTOR CAP

(a) Aline the spline of the distributor cap with the spline groove of the holder, then slide the holder with the grommet onto the distributor cap.

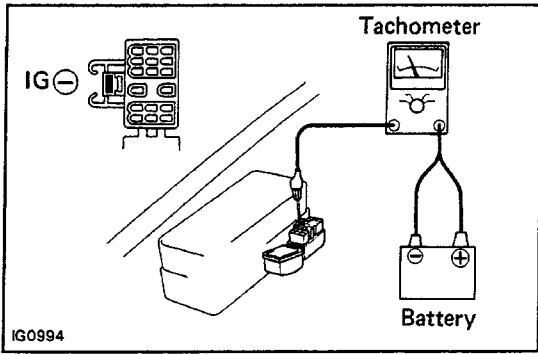


NOTICE: Check that the holder is correctly installed to the grommet and distributor cap as shown in the illustration.

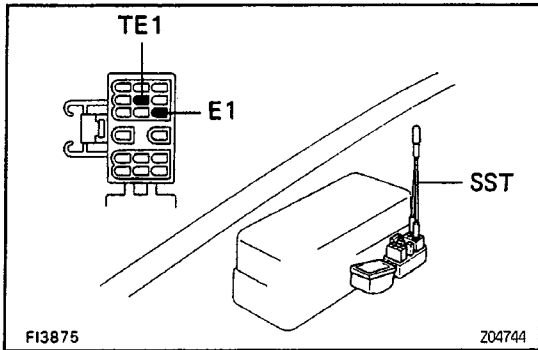


(b) Check that the lock claw of the holder is engaged by lightly pulling the holder.

5. CONNECT DISTRIBUTOR CONNECTOR

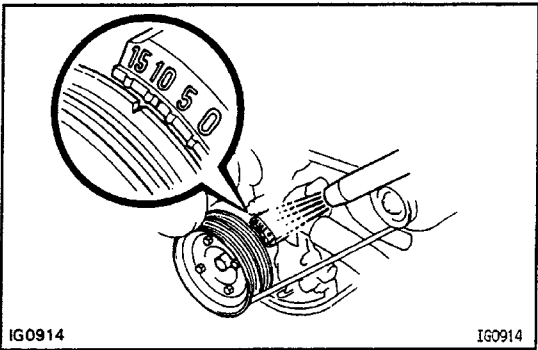


- 6. WARM UP ENGINE TO NORMAL OPERATING TEMPERATURE
- 7. CONNECT TACHOMETER AND TIMING LIGHT TO ENGINE



8. ADJUST IGNITION TIMING

- (a) Using SST, connect terminals TE1 and E1 of the DLC 1.
SST 09843-18020
- (b) Check the idle speed.
Idle speed:
800 ± 50 rpm



- (c) Using a timing light, check the ignition timing.

Ignition timing:

10 • BTDC @ idle
(Transmission in neutral position)

- (d) Loosen the hold-down bolt, and adjust by turning the distributor.
- (e) Tighten the hold-down bolt, and recheck the ignition timing.

Torque: 18 N-m (185 kgf-cm, 13 ft-lbf)

- (f) Remove the SST from the DLC1.

SST 09843-18020

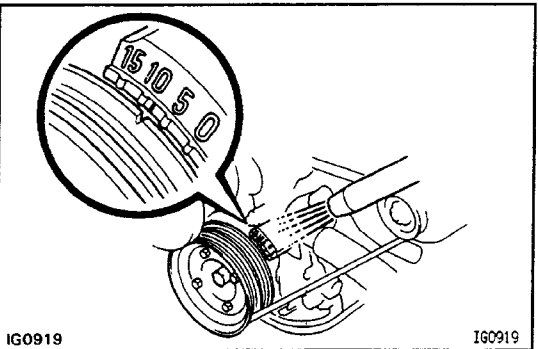
9. FURTHER CHECK IGNITION TIMING

Check that the ignition timing advances.

Ignition timing:

8 • BTDC @ idle

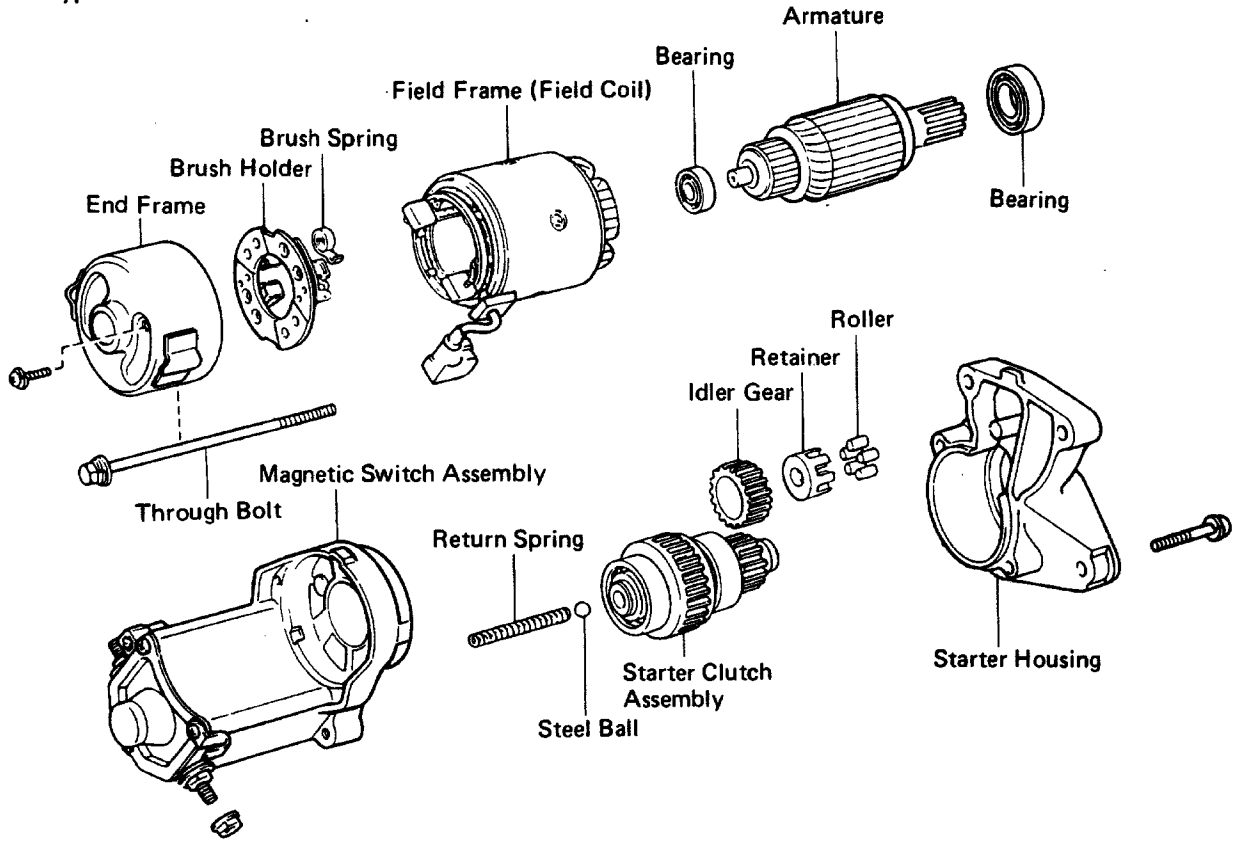
10. DISCONNECT TACHOMETER AND TIMING LIGHT FROM ENGINE



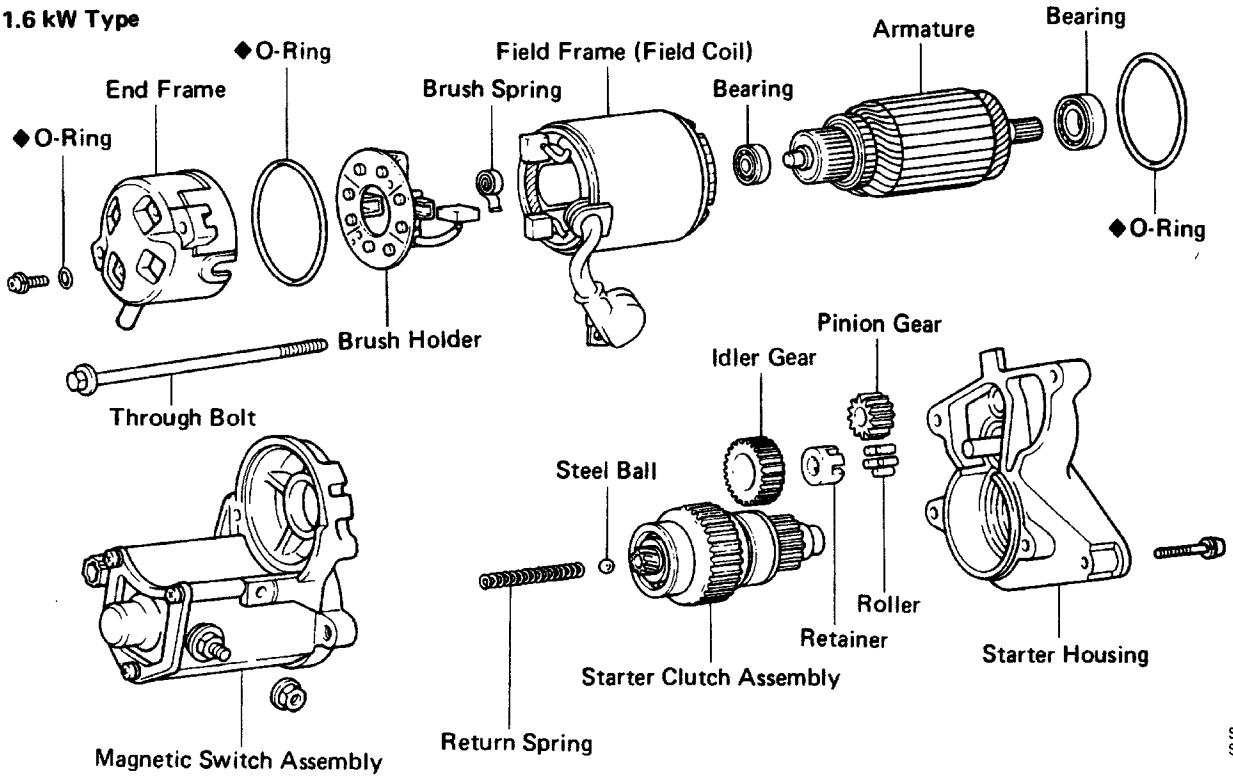
STARTING SYSTEM

STARTER COMPONENTS

1.0 kW Type



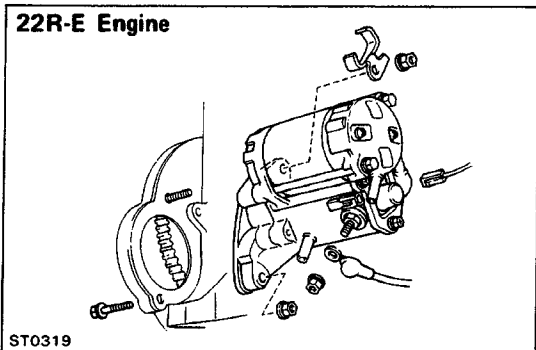
1.4, 1.6 kW Type



ST0310
ST0311

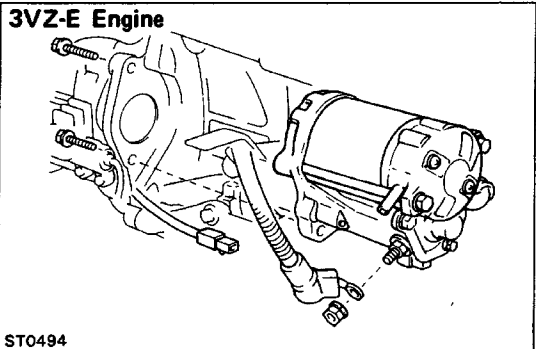
◆ Non-reusable part

22R-E Engine



ST0319

3VZ-E Engine



ST0494

REMOVAL OF STARTER

1. DISCONNECT CABLE FROM NEGATIVE TERMINAL OF BATTERY

2. DISCONNECT TWO WIRES FROM STARTER

- (a) Remove the nut and disconnect the battery cable from the magnetic switch on the starter motor.
- (b) Disconnect the other wire from terminal 50.

3. REMOVE STARTER MOTOR

(22R-E Engine)

Remove the nut and bolt, and remove the starter motor from the flywheel bellhousing.

(3VZ-E Engine)

Remove the two mounting bolts, and remove the starter motor from flywheel bellhousing.

DISASSEMBLY OF STARTER

(See page [ST-2](#))

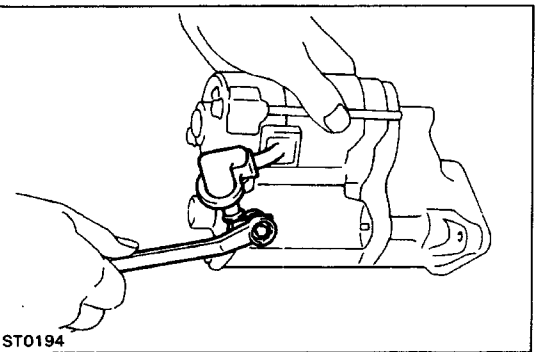
1. REMOVE FIELD FRAME WITH ARMATURE FROM MAGNETIC SWITCH ASSEMBLY

- (a) Remove the nut and disconnect the lead wire from the magnetic switch terminal.

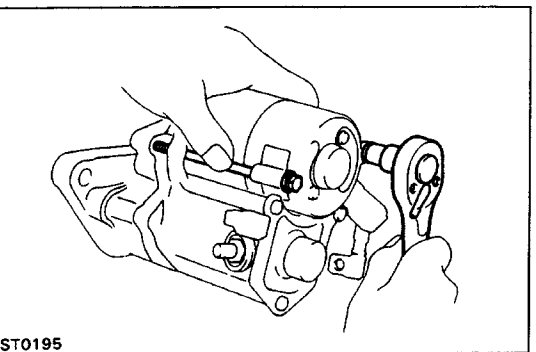
- (b) Remove the two through bolts. Pullout the field frame with the armature from the magnetic switch assembly.

- (c) (1.4, 1.6 kW)

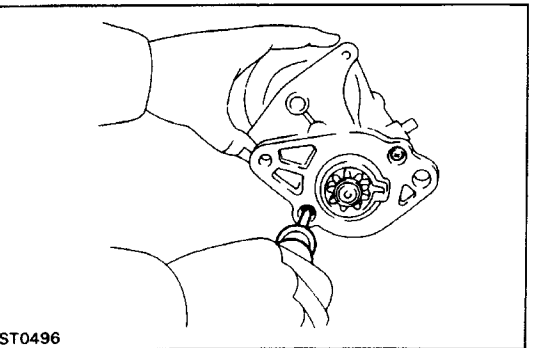
Remove the O-ring.



ST0194



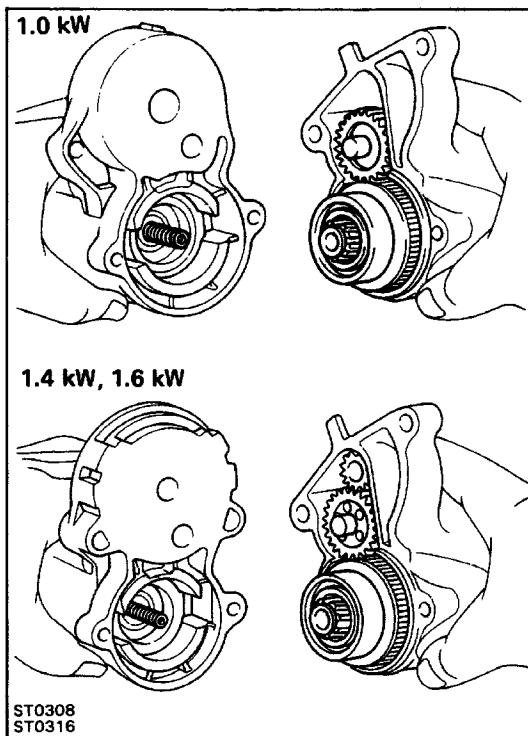
ST0195



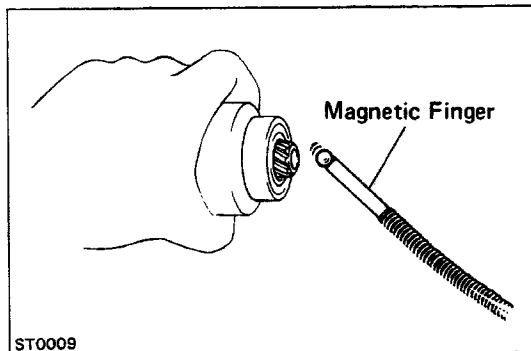
ST0496

2. REMOVE STARTER HOUSING FROM MAGNETIC SWITCH ASSEMBLY

- (a) Remove the two screws.



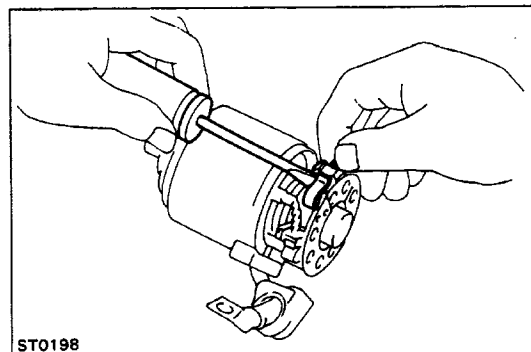
- (b) Remove the starter housing with the pinion gear (1.4, 1.6 kW), idler gear, bearing and clutch assembly.



3. REMOVE CLUTCH ASSEMBLY AND GEARS FROM STARTER HOUSING

4. REMOVE STEEL BALL AND SPRING

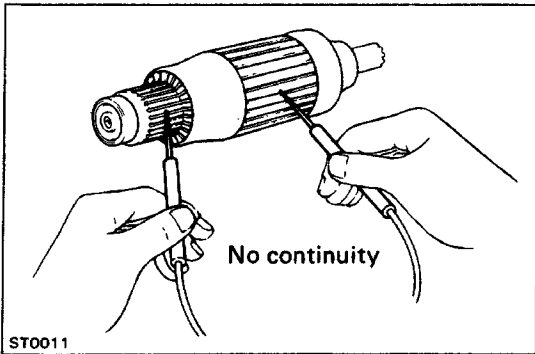
Using a magnetic finger, remove the spring and steel ball from the clutch shaft hole.



5. REMOVE BRUSHES AND BRUSH HOLDER

- (a) Remove the two screws and pull the end cover with O-ring (1.4, 1.6 kW) off the field frame.
- (b) Using a screwdriver, hold the spring back and disconnect the brush from the brush holder. Disconnect the four brushes and remove the brush holder.

6. REMOVE ARMATURE FROM FIELD FRAME



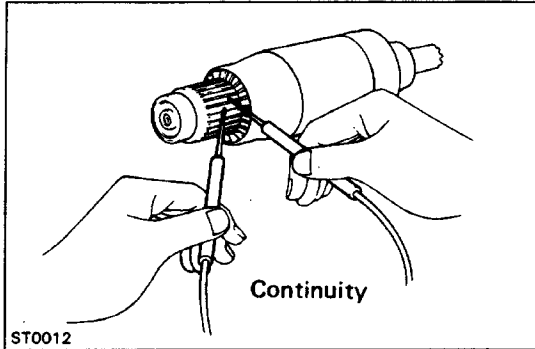
INSPECTION OF STARTER

Armature Coil

1. INSPECT THAT COMMUTATOR IS NOT GROUNDED

Using an ohmmeter, check that there is no continuity between the commutator and armature coil core.

If there is continuity, replace the armature.



2. INSPECT COMMUTATOR FOR OPEN CIRCUIT

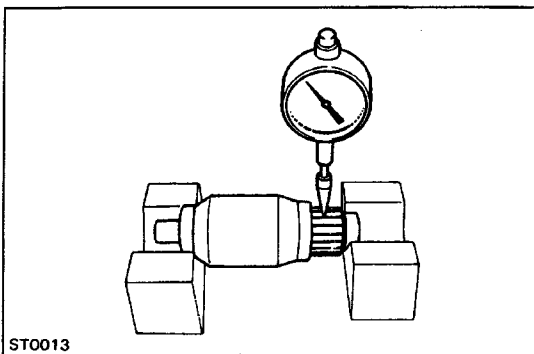
Using an ohmmeter, check that there is continuity between the segments of the commutator.

If there is no continuity between any segment, replace the armature.

Commutator

1. INSPECT COMMUTATOR FOR DIRTY AND BURNT SURFACES

If the surface is dirty or burnt, correct it with sandpaper (No.400) or on a lathe.



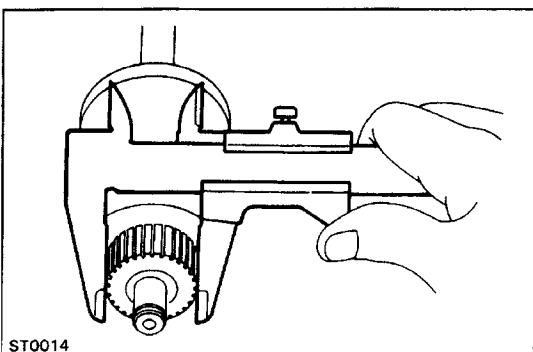
2. INSPECT COMMUTATOR CIRCLE RUNOUT

(a) Place the commutator on V-blocks.

(b) Using a dial indicator, measure the circle runout.

Maximum circle runout: 0.05 mm (0.0020 in.)

If the circle runout is greater than maximum, correct it on a lathe.



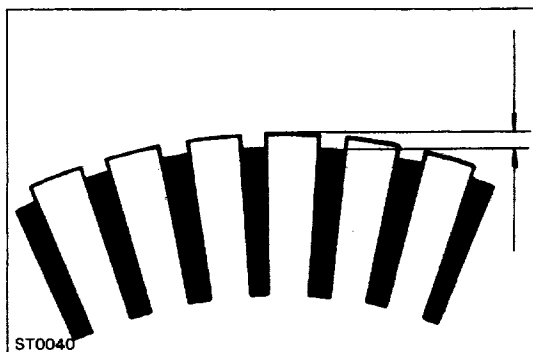
3. INSPECT COMMUTATOR DIAMETER

Using vernier calipers, measure the commutator diameter.

Standard diameter: 30 mm (1.18 in.)

Minimum diameter: 29 mm (1.14 in.)

If the diameter is less than minimum, replace the armature.



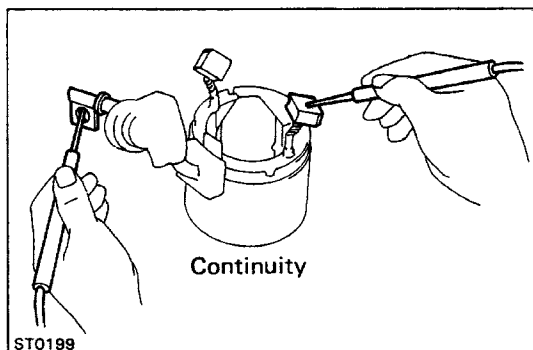
4. INSPECT UNDERCUT DEPTH OF SEGMENT

Check that the undercut depth is clean and free of foreign material. Smooth out the edge.

Standard undercut depth: 0.6 mm (0.024 in.)

Minimum undercut depth: 0.2 mm (0.008 in.)

If the undercut depth is less than minimum, correct it with a hacksaw blade.

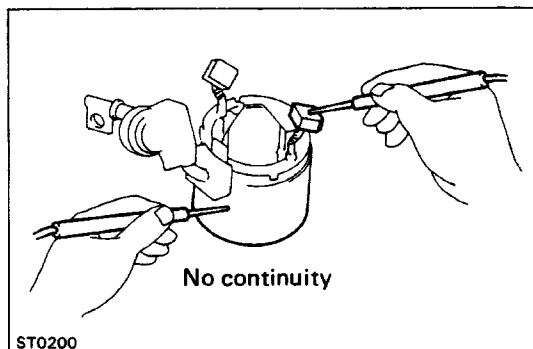


Field Frame (Field Coil)

1. INSPECT FIELD COIL FOR OPEN CIRCUIT

Using an ohmmeter, check that there is continuity between the lead wire and field coil brush lead.

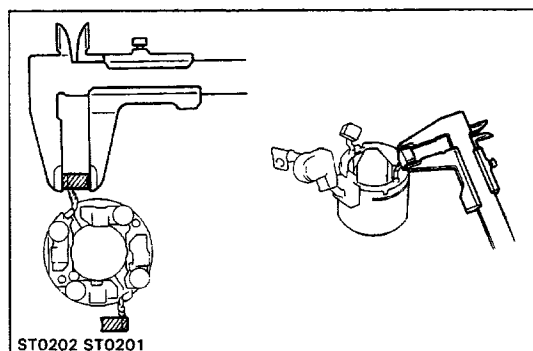
If there is no continuity, replace the field frame.



2. INSPECT THAT FIELD COIL IS NOT GROUNDED

Using an ohmmeter, check that there is no continuity between the field coil end and field frame.

If there is continuity, repair or replace the field frame.



Brushes

INSPECT BRUSH LENGTH

Using vernier calipers, measure the brush length.

Standard length: 1.0 kW 13.5 mm (0.531 in.)

1.4 kW 15.5 mm (0.610 in.)

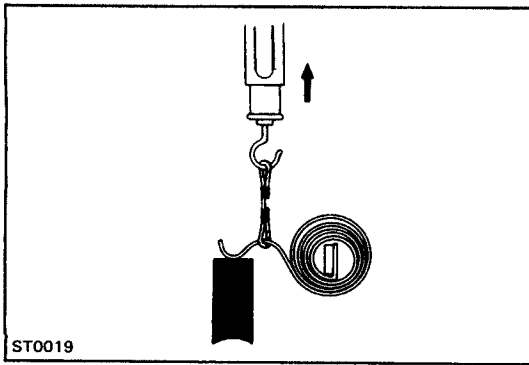
1.6 kW 15.5 mm (0.610 in.)

Minimum length: 1.0 kW 8.5 mm (0.335 in.)

1.4 kW 10.0 mm (0.394 in.)

1.6 kW 10.0 mm (0.394 in.)

If the length is less than minimum, replace the brush holder and field frame.



Brush Springs

INSPECT BRUSH SPRING LOAD

Take the pull scale reading the instant the brush spring separates from the brush.

Standard installed load:

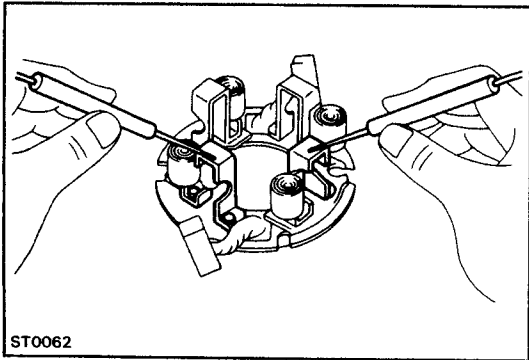
18 – 24 N (1.785 – 2.415 kgf, 3.9 – 5.3 lbf)

Minimum installed load:

12 N (1.2 kgf, 2.6 lbf)

If the installed load is less than minimum, replace the brush springs.

HINT: Take the pull scale reading the instant the brush spring separates from the brush.



Brush Holder

INSPECT INSULATION OF BRUSH HOLDER

Using an ohmmeter, check that there is no continuity between the positive (+) and negative (-) brush holders.

If there is continuity, repair or replace the brush holder.

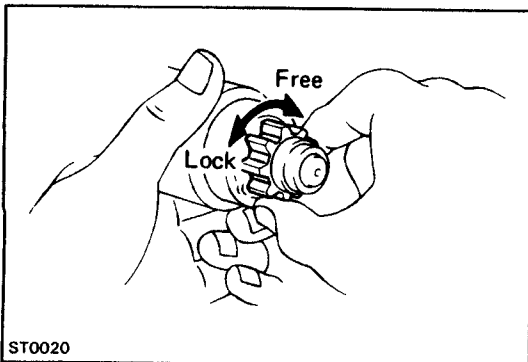
Clutch and Gears

1. INSPECT GEAR TEETH

Check the gear teeth on the pinion gear, idler gear and clutch assembly for wear or damage.

If damaged, replace the gear or clutch assembly.

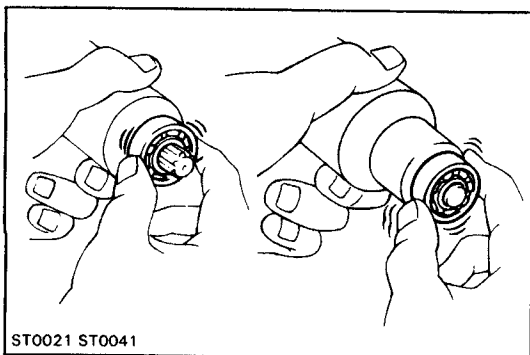
If damaged, also check the flywheel ring gear for wear or damage.



2. INSPECT CLUTCH

Rotate the clutch pinion gear clockwise and check that it turns freely. Try to rotate the clutch pinion counterclockwise and check that it locks.

If necessary, replace the clutch assembly.

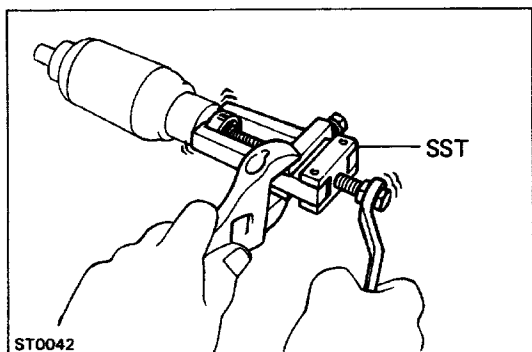


Bearings

1. INSPECT BEARINGS

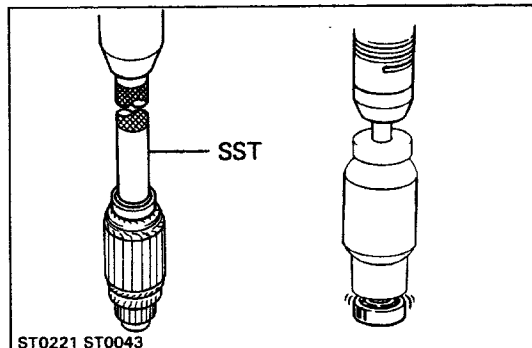
Turn each bearing by hand while applying inward force.

If the resistance is felt or if the bearing sticks, replace the bearing.

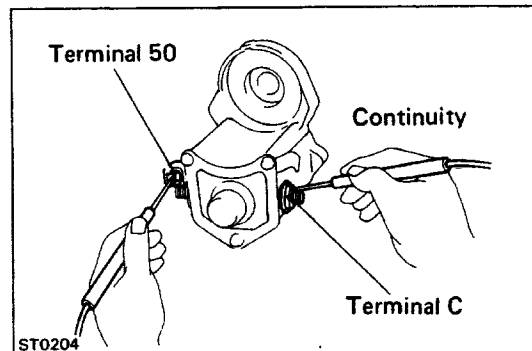


2. IF NECESSARY, REPLACE BEARINGS

- (a) Using SST, remove the bearing.
SST 09286-46011



- (b) Using SST and a press, press in a new bearing.
SST 1.0 kW 09285-76010
1.4 kW, 1.6 kW 09201-41020

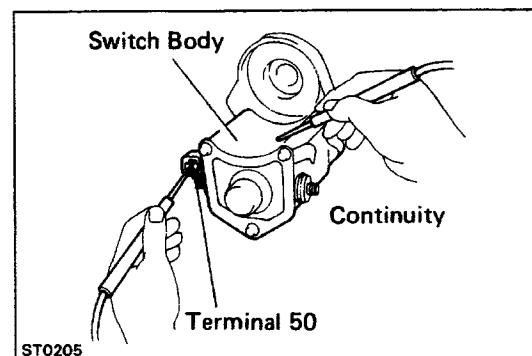


Magnetic Switch

1. PERFORM PULL-IN COIL OPEN CIRCUIT TEST

Using an ohmmeter, check that there is continuity between terminals 50 and C.

If there is no continuity, replace the magnetic switch assembly.



2. PERFORM HOLD-IN COIL CIRCUIT TEST

Using an ohmmeter, check that there is continuity between terminal 50 and the switch body.

If there is no continuity, replace the magnetic switch assembly.

ASSEMBLY OF STARTER

(See page ST-2)

HINT: Use high-temperature grease to lubricate the bearings and gears when assembling the starter.

1. PLACE ARMATURE INTO FIELD FRAME

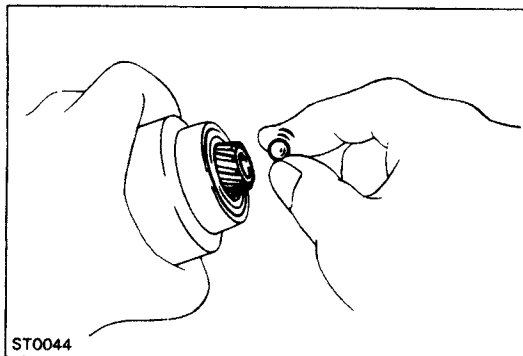
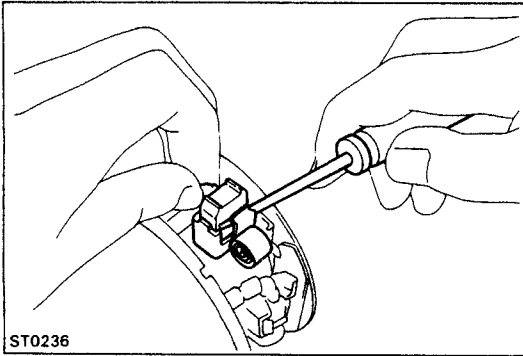
Apply grease to the armature bearings and insert the armature into the field frame.

2. INSTALL BRUSH HOLDER

- (a) Place the brush holder over the frame.
- (b) Using a screwdriver, hold the brush spring back, and connect the brush into the brush holder. Connect the four brushes.

HINT: Check that the positive (+) lead wires are not grounded.

- (c) (1.4 kW, 1.6 kW)
Place the O-ring on the field frame.
- (d) Install the end cover to the field frame with the two screws.

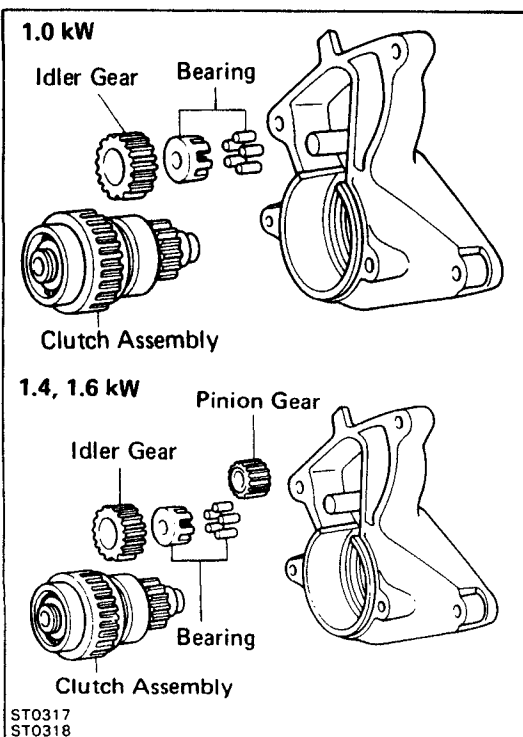


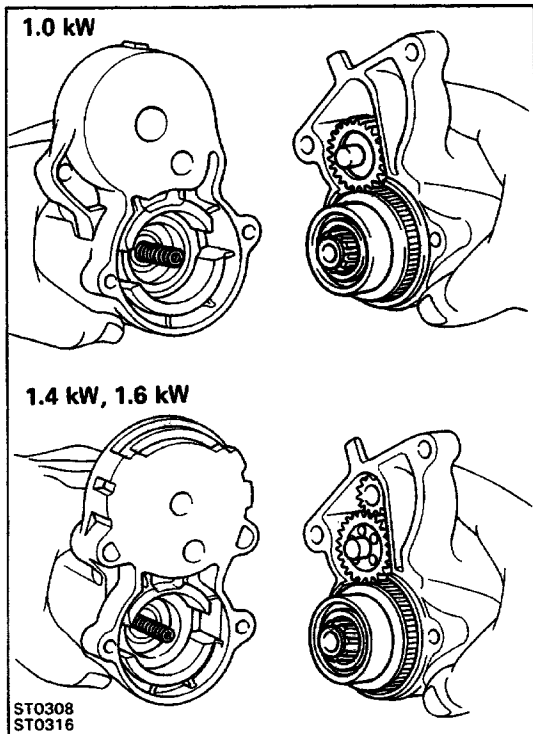
3. INSERT STEEL BALL INTO CLUTCH SHAFT HOLE

- (a) Apply grease to the steel ball.
- (b) Insert the steel ball into the clutch shaft hole.

4. INSTALL GEARS AND CLUTCH ASSEMBLY

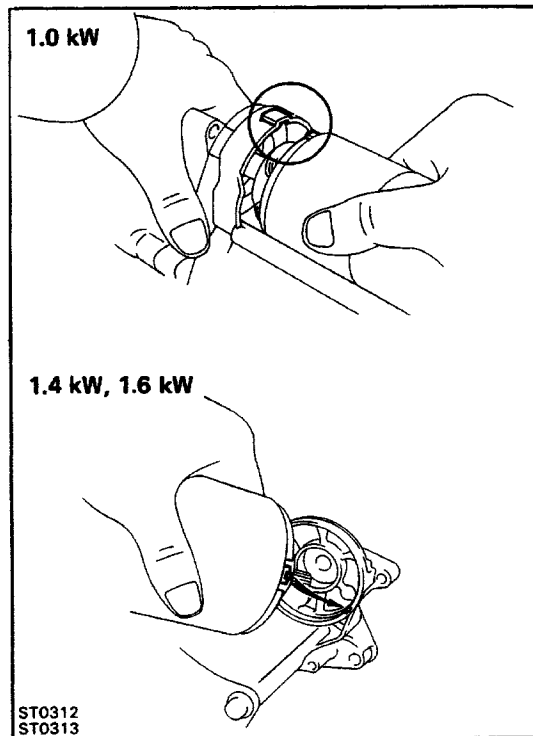
- (a) Apply grease to the gears and clutch assembly.
- (b) Place the clutch assembly, idler gear, bearing and pinion gear 11.4, 1.6 kW) in the starter housing.





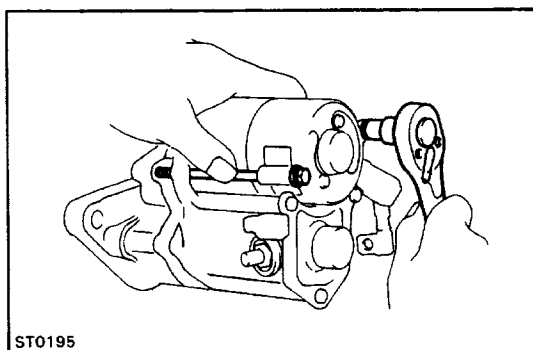
5. INSTALL STARTER HOUSING

- (a) Apply grease to the return spring.
- (b) Insert the return spring into the magnetic hole.
- (e) Place the starter housing on the magnetic switch and install the two screws.



6. INSTALL FIELD FRAME WITH ARMATURE TO MAGNETIC SWITCH ASSEMBLY

- (a) (1.4, 1.6 kW)
Place the O-ring on the field frame.
- (b) Align the protrusion of the field frame with the cutout of the magnetic switch.



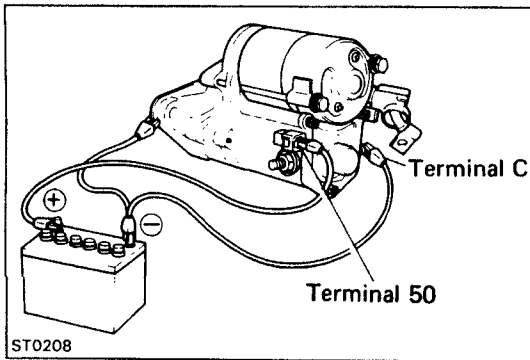
- (c) Install the two through bolts.
- (d) Connect the lead wire to the magnetic switch terminal C, and install the nut.

PERFORMANCE TEST OF STARTER

NOTICE: These tests must be performed within 3 to 5 seconds to avoid burning out the coil.

1. PERFORM PULL-IN TEST

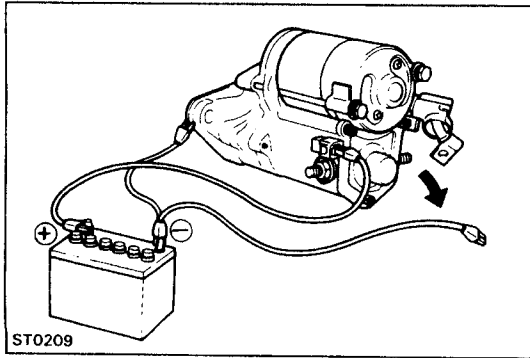
- Disconnect the field coil lead wire from terminal C.
- Connect the battery to the magnetic switch as shown. Check that the clutch pinion gear moves outward. If the clutch pinion gear does not move, replace the magnetic switch assembly.



2. PERFORM HOLD-IN TEST

With battery connected as above with the clutch pinion gear out, disconnect the negative (-) lead from terminal C. Check that the pinion gear remains out.

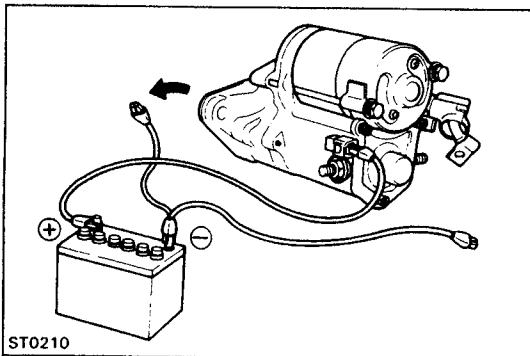
If the clutch pinion gear returns inward, replace the magnetic switch assembly.



3. INSPECT CLUTCH PINION GEAR RETURN

Disconnect the negative (-) lead from the switch body. Check that the clutch pinion gear returns inward.

If the clutch pinion gear does not return, replace the magnetic switch assembly.

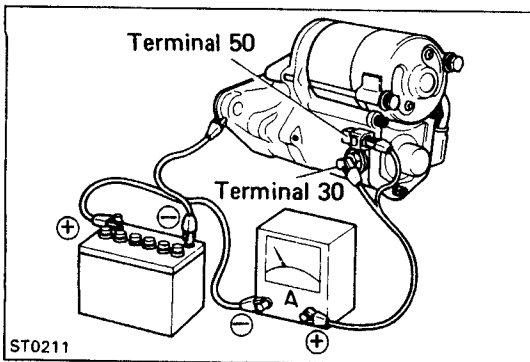


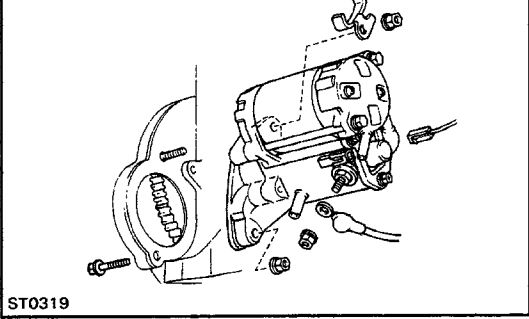
4. PERFORM NO-LOAD PERFORMANCE TEST

- Connect the battery and ammeter to the starter as shown.
- Check that the starter rotates smoothly and steadily with the pinion gear moving out. Check that the ammeter reads the specified current.

Specified current:

90 A or less at 11.5 V



22R-E Engine**INSTALLATION OF STARTER****1. INSTALL STARTER MOTOR ON TRANSAXLE**

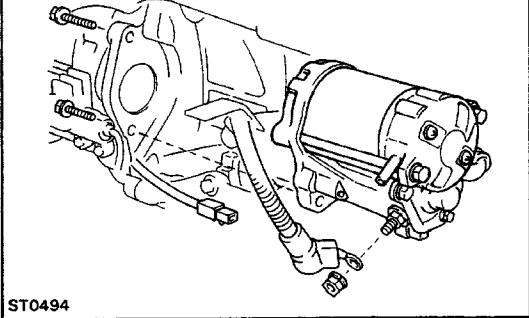
(22R-E Engine)

Place the starter motor in the flywheel bellhousing. Install and torque the bolt and nut.

(3VZ-E Engine)

Place the starter motor in the flywheel bellhousing, and install and torque the starter mounting bolts.

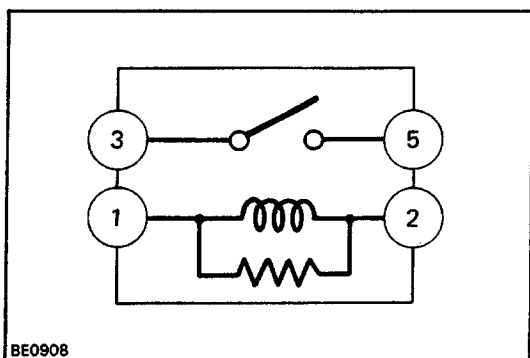
Torque: 39 N-m (400 kgf-cm, 29 ft-lbf)

3VZ-E Engine**2. CONNECT TWO WIRES TO STARTER**

Connect the connector to the terminal on the magnetic switch. Connect the cable from the battery to the terminal on the switch, and install the nut.

3. CONNECT CABLE TO NEGATIVE TERMINAL OF BATTERY

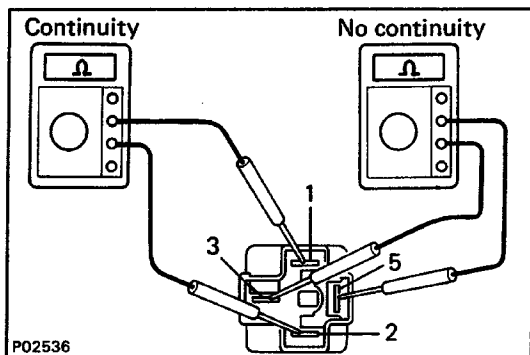
Check that the engine starts.



STARTER RELAY

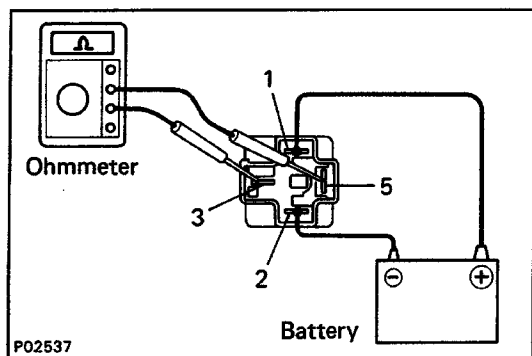
INSPECTION OF STARTER RELAY

LOCATION: The relay is located in the No. 1 junction block on the driver's side.



1. INSPECT RELAY CONTINUITY

- Using an ohmmeter, check that there is continuity between terminals 1 and 2.
 - Check that there is no continuity between terminals 3 and 5.
- If continuity is not as specified, replace the relay.



2. INSPECT RELAY OPERATION

- Apply battery voltage across terminals 1 and 2.
 - Check that there is continuity between terminals 3 and 5.
- If operation is not as described, replace the relay.

CLUTCH START SWITCH (M/T only)

(See page [CL-4](#))

CHARGING SYSTEM

PRECAUTIONS

1. Check that the battery cables are connected to the correct terminals.
2. Disconnect the battery cables when the battery is given a quick charge.
3. Do not perform tests with a high voltage insulation resistance tester.
4. Never disconnect the battery while the engine is running.

ON-VEHICLE INSPECTION

1. INSPECT BATTERY SPECIFIC GRAVITY AND ELECTROLYTE LEVEL

- (a) Check the specific gravity of each cell.

Standard specific gravity

When fully charged at 20°C (68°F):

22R-E 1.25 - 1.27

3VZ-E 55D 23R 1.25 - 1.27

80D 26R 1.27 - 1.29

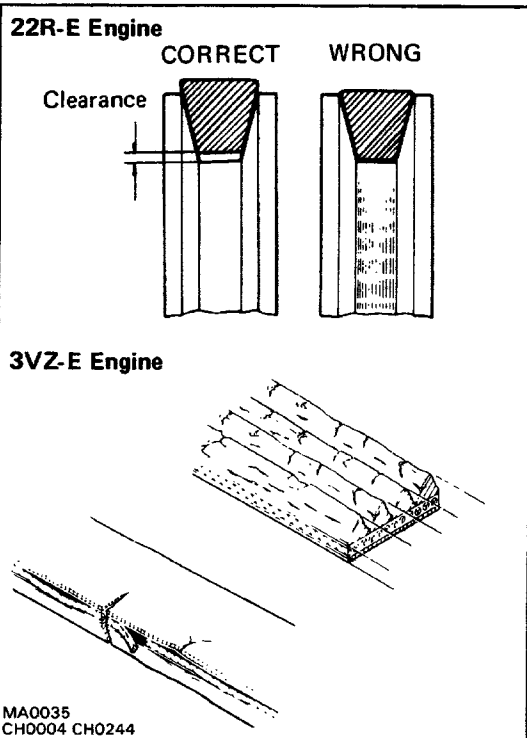
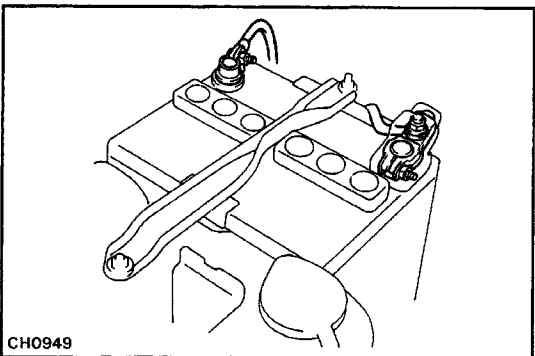
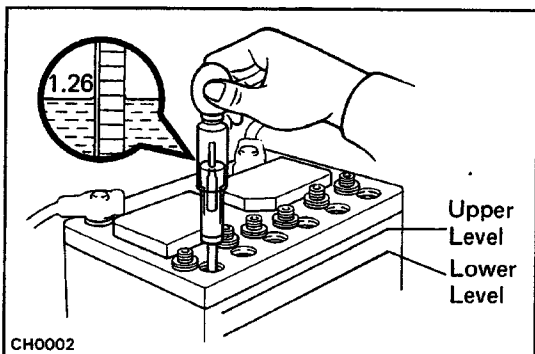
If not within specifications, charge the battery.

- (b) Check the electrolyte quantity of each cell.

If insufficient, refill with distilled (or purified) water.

2. CHECK BATTERY TERMINALS AND FUSIBLE LINKS

- (a) Check that the battery terminals are not loose or corroded.
- (b) Check the fusible links for continuity.



3. INSPECT DRIVE BELT

- (a) Visually check the belt for excessive wear, frayed cords etc.

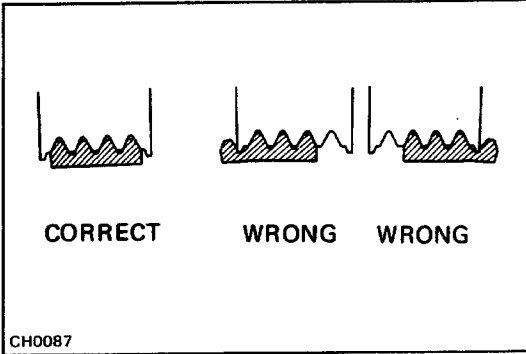
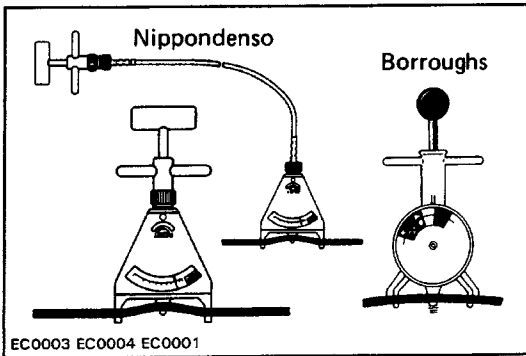
HINT:

22R-E: Check that the belt does not touch the bottom of the pulley groove.

If any defect has been found, replace the drive belt.

3VZ-E: Cracks on the ribbed side of the belt are considered acceptable.

If the belt has chunks missing from the ribs, it should be replaced.



(b) Using a belt tension gauge, check the drive belt tension .

Belt tension gauge:

**Nippondenso BTG-20 (95506-00020) or
Borroughs No. BT-33-73F**

Drive belt tension:

22R-E New belt 125 ± 25 lbf

Used belt 80 ± 20 lbf

3VZ-E New belt 160 ± 20 lbf

Used belt 100 ± 20 lbf ,

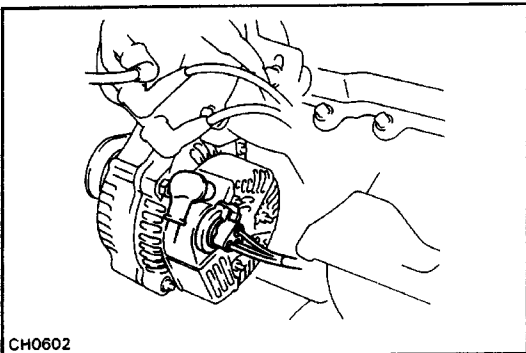
If necessary, adjust the drive belt tension.

HINT:

- "New belt" refers to a belt which has been used less than 5 minutes on a running engine.
- "Used belt" refers to a belt which has been used on a running engine for 5 minutes or more.
- After installing the drive belt, check that it fits properly in the ribbed grooves. Check with your hand to confirm that the belt has not slipped out of the groove on the bottom of the crank pulley.
- After installing a new belt, run the engine for approx. 5 minutes and then recheck the tension.

4. INSPECT FUSES FOR CONTINUITY

- ENGINE 10A
- CHARGE 7-5A
- IGN 7.5A



5. VISUALLY CHECK GENERATOR WIRING AND LISTEN FOR ABNORMAL NOISES

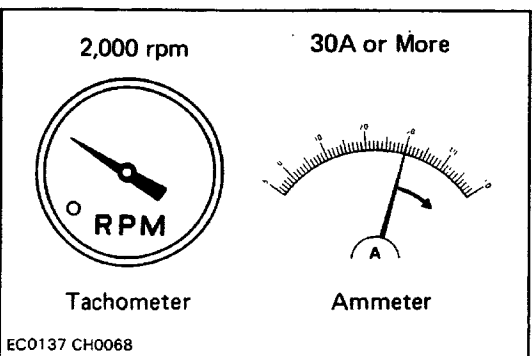
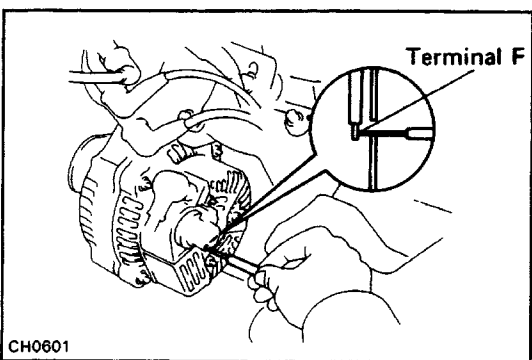
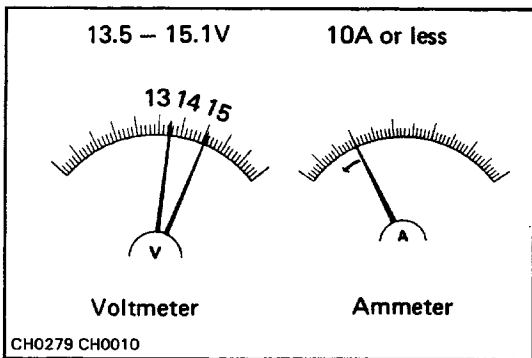
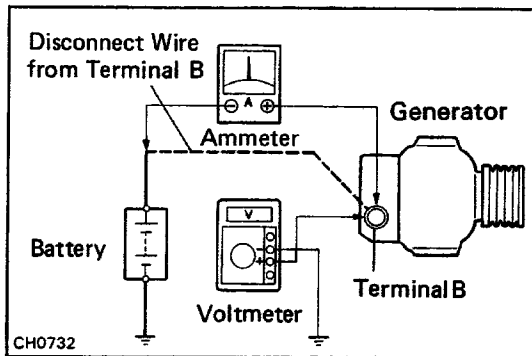
- Check that the wiring is in good condition.
- Check that there is no abnormal noise from the generator while the engine is running.

6. INSPECT DISCHARGE WARNING LIGHT CIRCUIT

- Turn the ignition switch ON. Check that the discharge warning light is lit.
- Start the engine. Check that the light goes off.
If the light does not operate as specified, troubleshoot the warning light circuit.

7. CHECK CHARGING CIRCUIT WITHOUT LOAD

HINT: If a battery/generator tester is available, connect the tester to the charging circuit according to the manufacturer's instructions.



(a) If a tester is not available, connect a voltmeter and ammeter to the charging circuit as follows:

- Disconnect the wire from terminal B of the generator and connect the wire to the negative (–) terminal of the ammeter.
- Connect the test lead from the positive (+) terminal of the ammeter to terminal B of the generator.
- Connect the positive (+) lead of the voltmeter to terminal B of the generator.
- Ground the negative (–) lead of the voltmeter.

(b) Check the charging circuit as follows:

With the engine running from idling to 2,000 rpm, check the reading on the ammeter and voltmeter.

Standard amperage: 10 A or less

Standard voltage: 13.9 – 15.1 V at 250C (770F)

13.5 – 14.3 V at 1150C (239•F)

If the voltage reading is greater than standard voltage, replace the IC regulator.

If the voltage reading is less than standard voltage, check the IC regulator and generator as follows:

- With terminal F grounded, start the engine and check the voltage reading of terminal B.
- If the voltage reading is higher than standard voltage, replace the IC regulator.
- If the voltage reading is less than standard voltage, repair the generator.

8. INSPECT CHARGING CIRCUIT WITH LOAD

(a) With the engine running at 2,000 rpm, turn on the high beam headlights and place the heater fan control switch at HI.

(b) Check the reading on the ammeter.

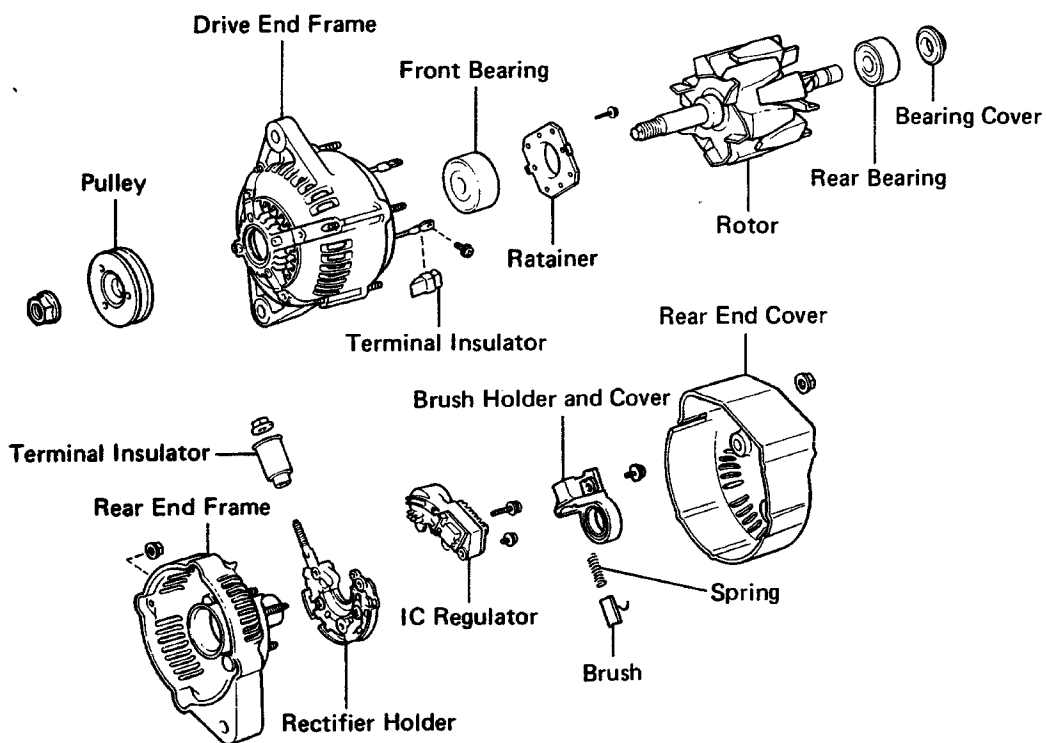
Standard amperage: 30 A or more

If the ammeter reading is less than 30 A, repair the generator. (See page [CH-5](#))

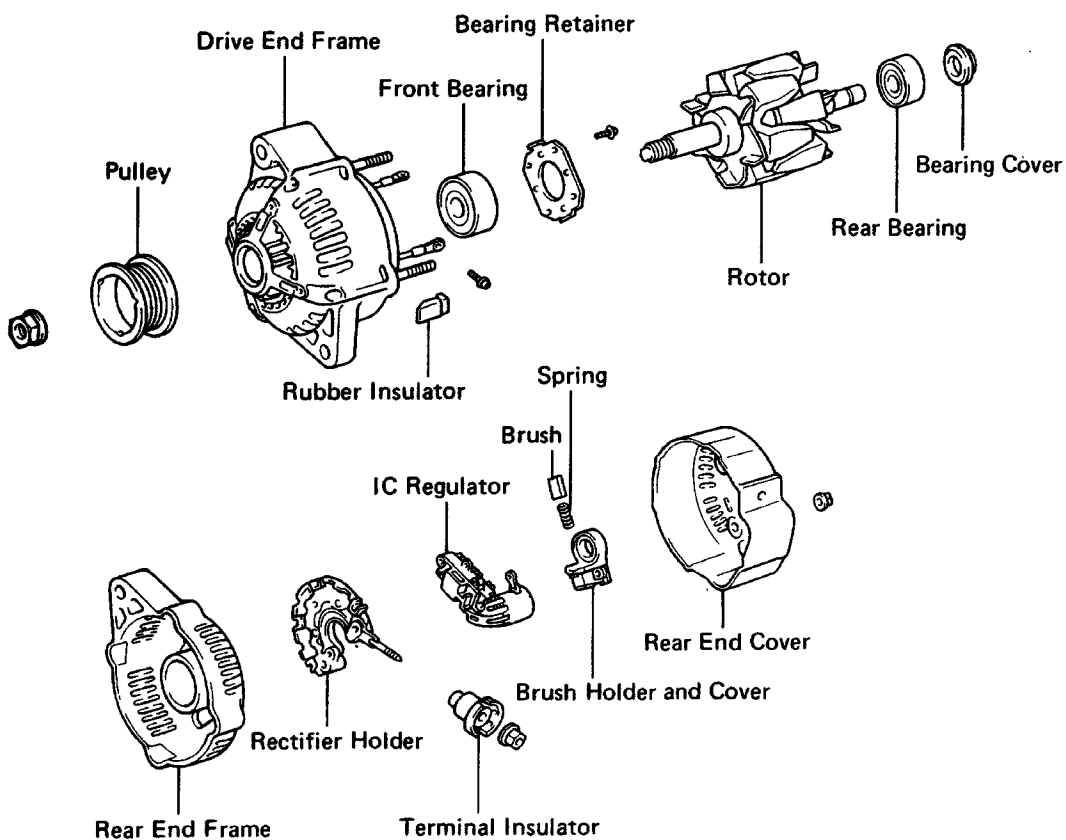
HINT: If the battery is fully charged, the indication will sometimes be less than 30 A.

GENERATOR COMPONENTS

22R-E Engine



3VZ-E Engine



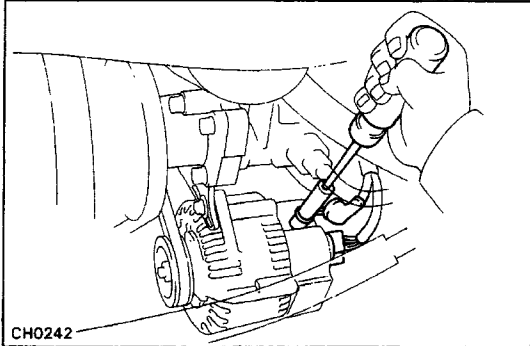
REMOVAL OF GENERATOR (22R-E)

1. DISCONNECT CABLE FROM NEGATIVE TERMINAL OF BATTERY

2. (w/ PS) DRAIN COOLANT

3. DISCONNECT WIRING FROM GENERATOR

- (a) Disconnect the connector from the generator.
- (b) Remove the nut and wire from the generator.

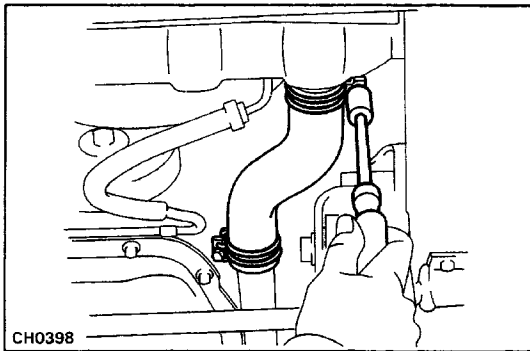


4. (w/ PS)

REMOVE WATER INLET HOSE

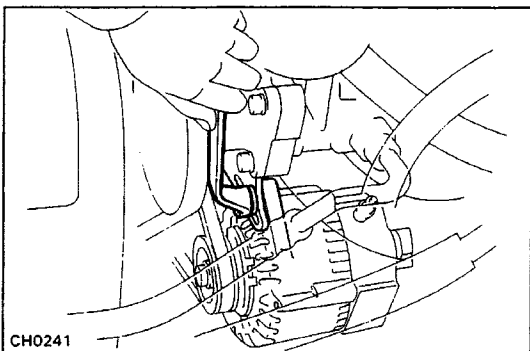
- (a) Remove the engine under cover.
- (b) Remove the water inlet hose.
- (c) (with A/C)

Remove the No. 2 fan shroud.



5. REMOVE GENERATOR DRIVE BELT

- (a) Loosen the generator pivot and remove the adjusting bolt.
- (b) Remove the drive belt.



6. REMOVE GENERATOR

- (a) Hold the generator and remove the pivot.
- (b) Remove the generator.

REMOVAL OF GENERATOR (3VZ-E)

1. DISCONNECT CABLE FROM NEGATIVE TERMINAL OF BATTERY

2. DISCONNECT WIRING FROM GENERATOR

- (a) Disconnect the connector from the generator.
- (b) Remove the nut and disconnect the wire from the generator.

3. REMOVE GENERATOR DRIVE BELT

Loosen the generator pivot bolts, adjusting nut and lock bolt and remove the generator drive belt.

4. REMOVE GENERATOR

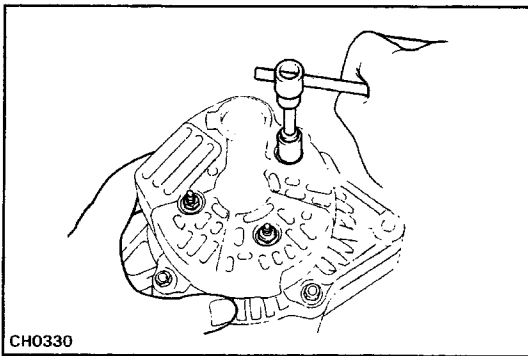
- (a) Remove the pivot bolt and adjusting lock bolts.
- (b) Remove the generator.

DISASSEMBLY OF GENERATOR

(See page CH-5)

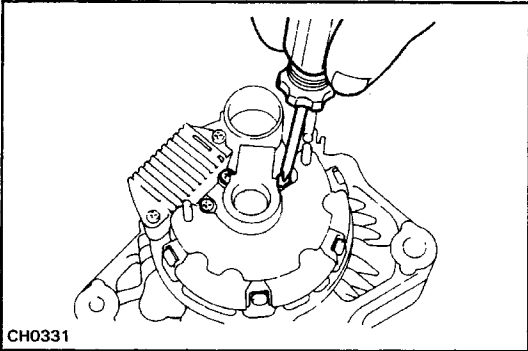
1. REMOVE REAR END COVER

- (a) Remove the nut and terminal insulator.
- (b) Remove the three nuts and end cover.



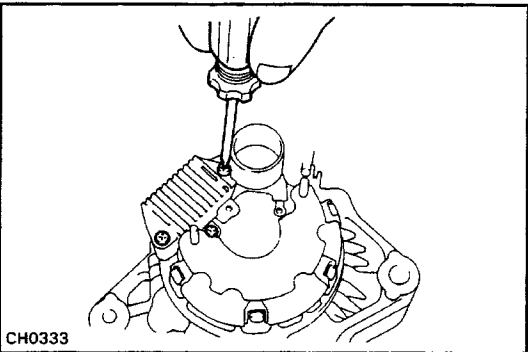
2. REMOVE BRUSH HOLDER

Remove the two screws, brush holder and cover.



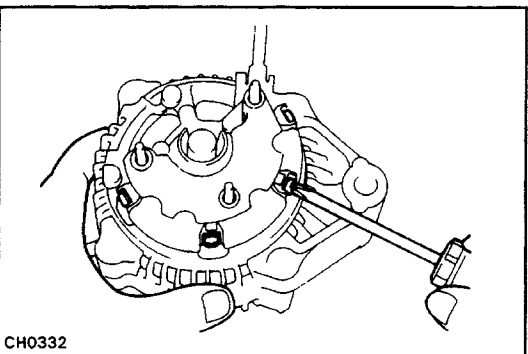
3. REMOVE IC REGULATOR

Remove the three screws and IC regulator.



4. REMOVE RECTIFIER HOLDER

- (a) Remove the four screws and rectifier holder.
- (b) Remove the four rubber insulators.



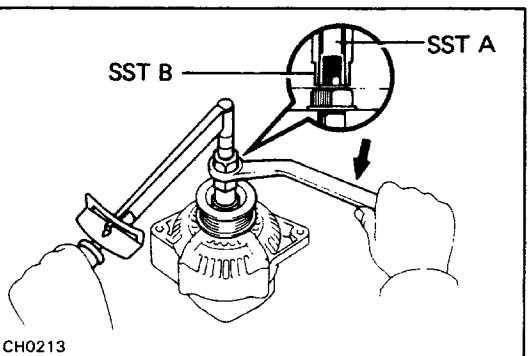
5. REMOVE PULLEY

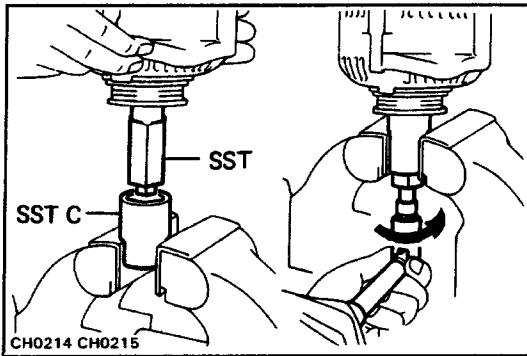
- (a) Hold SST A with a torque wrench, and tighten SST B clockwise to the specified torque.

SST 09820-63010

Torque: 39 N – m(400 kgf – cm, 29 ft – lbf)

- (b) Check that SST A is secured to the rotor shaft.





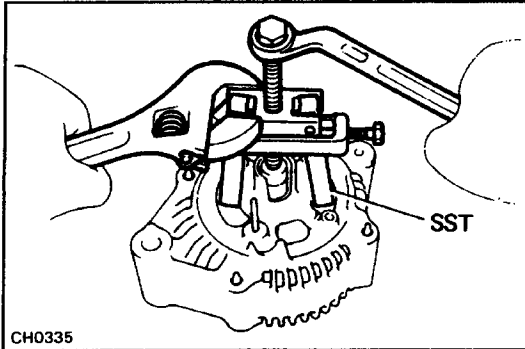
- (c) As shown in the illustration, mount SST C in a vise, and install the generator with SST (A and B) to SST C.
- (d) To loosen the pulley nut, turn SST A in the direction shown in the illustration.

NOTICE: To prevent damage to the rotor shaft, do not loosen the pulley nut more than one-half of a turn.

- (e) Remove the generator with SST (A and B) from SST C.
- (f) Turn SST B and remove SSTs A and B.
- (g) Remove the pulley nut and pulley.

6. REMOVE REAR END FRAME

- (a) Remove the four nuts.
- (b) Using SST, remove the rear end frame.
SST 09286-46011



7. REMOVE ROTOR FROM DRIVE END FRAME

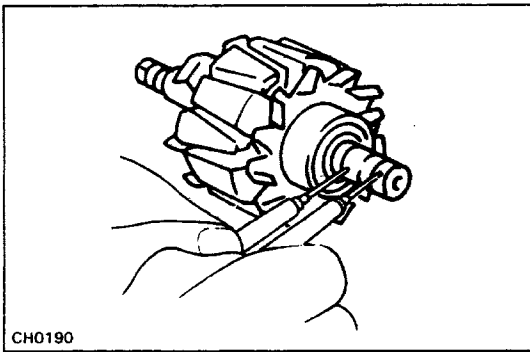
INSPECTION AND REPAIR OF GENERATOR Rotor

1. INSPECT ROTOR FOR OPEN CIRCUIT -

Using an ohmmeter, check that there is continuity between the slip rings.

Standard resistance (Cold): 2.8 - 3.0

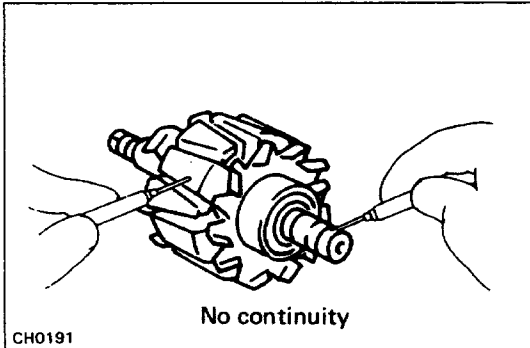
If there is no continuity, replace the rotor.



2. INSPECT ROTOR FOR GROUND

Using an ohmmeter, check that there is no continuity between the slip ring and the rotor.

If there is continuity, replace the rotor.



3. INSPECT SLIP RINGS

(a) Check that the slip rings are not rough or scored.

If rough or scored, replace the rotor.

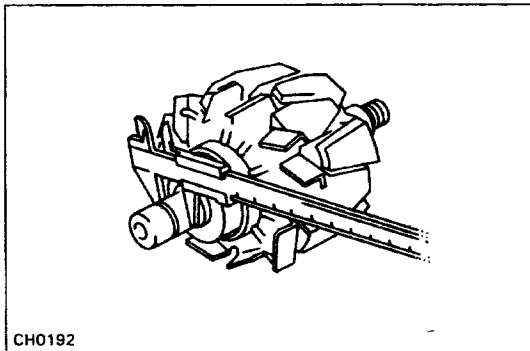
(b) Using vernier calipers, measure the slip ring diameters.

Standard diameter: 14.2 - 14.4 mm

(0.559 - 0.567 in.)

Minimum diameter: 12.8 mm (0.504 in.)

If the diameter is less than minimum, replace the rotor.

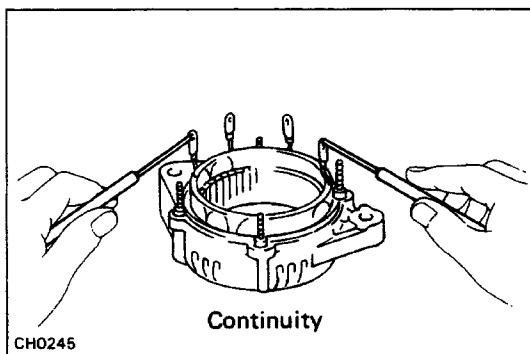


Stator

1. INSPECT STATOR FOR OPEN CIRCUIT

Using an ohmmeter, check that there is continuity between the coil leads.

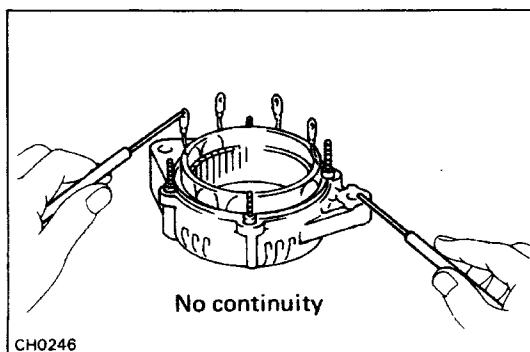
If there is no continuity, replace the drive end frame assembly.

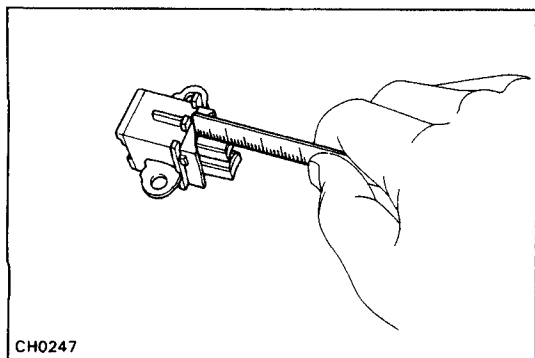


2. INSPECT STATOR FOR GROUND

Using an ohmmeter, check that there is no continuity between the coil leads and drive end frame.

If there is continuity, replace the drive end frame assembly.





Brushes

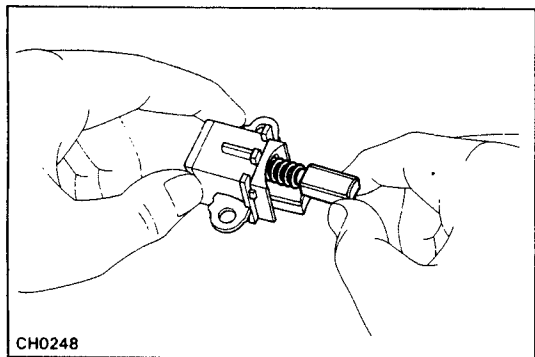
1. INSPECT EXPOSED BRUSH LENGTH

Using a scale, measure the exposed brush length.

Standard exposed length: 10.5 mm (0.413 in.)

Minimum exposed length: 1.5 mm (0.059 in.)

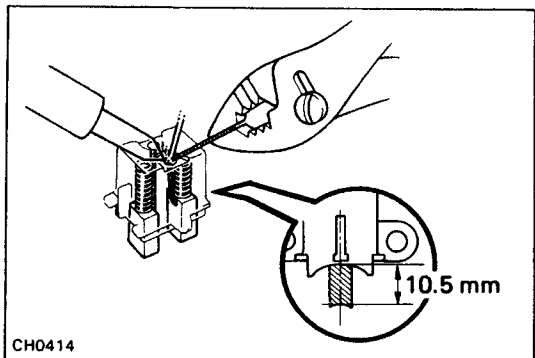
If the exposed length is less than minimum, replace the brushes.



2. IF NECESSARY, REPLACE BRUSHES

(a) Unsolder and remove the brush and spring.

(b) Run the wire of the brush through the hole in the brush holder, and insert the spring and brush into the brush holder.



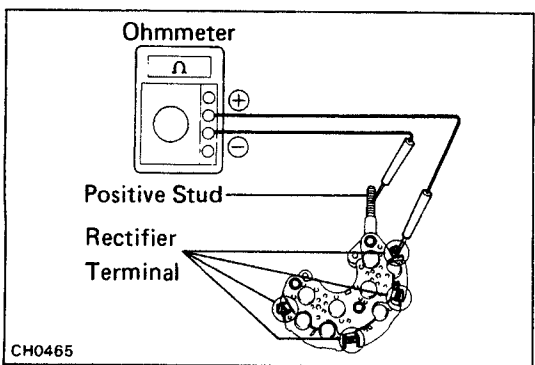
(c) Solder the brush wire to the brush holder at the exposed length.

Exposed length: 10.5 mm (0.413 in.)

(d) Check that the brush moves smoothly in the brush holder.

(e) Cut off the excess wire.

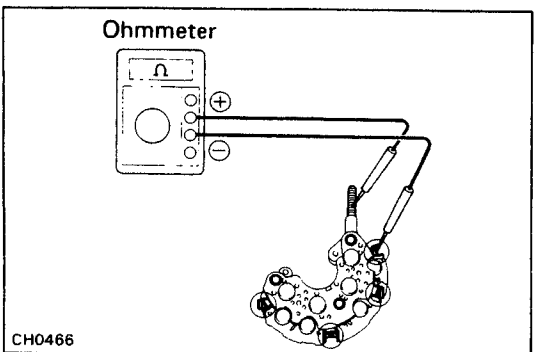
(f) Apply insulation paint to the soldered point.



Rectifier

1. INSPECT POSITIVE SIDE RECTIFIER

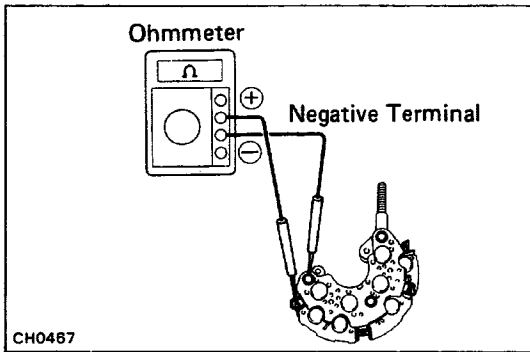
(a) Using an ohmmeter, connect one tester probe to the positive stud and the other to each rectifier terminal.



(b) Reverse the polarity of the tester probes.

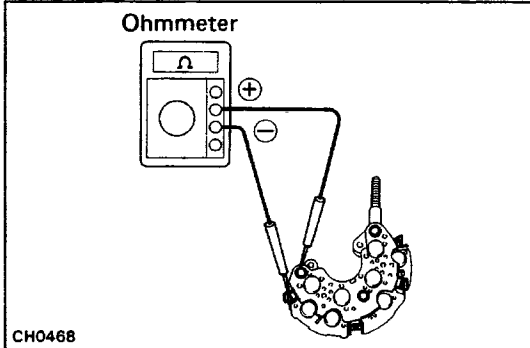
(c) Check that one shows continuity and the other shows no continuity.

If not, replace the rectifier holder.

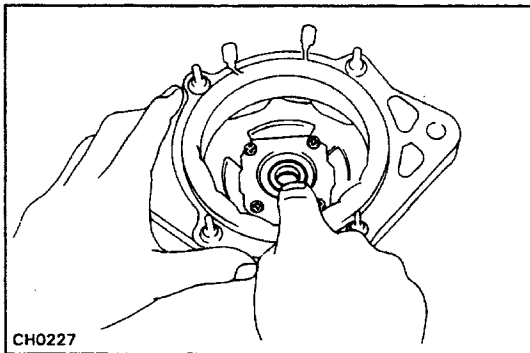


2. INSPECT NEGATIVE SIDE RECTIFIER

- (a) Connect one tester probe to each rectifier terminal and the other to each rectifier negative terminal.



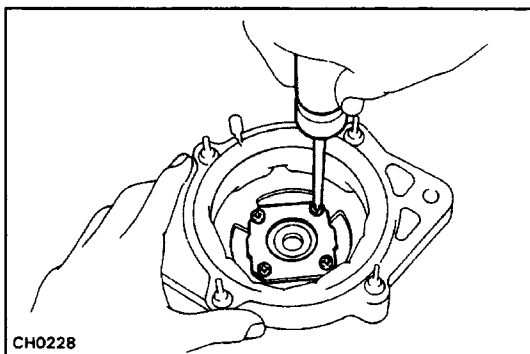
- (b) Reverse the polarity of the tester probes.
 (c) Check that one shows continuity and the other shows no continuity.
 If not, replace the rectifier holder.



Bearings

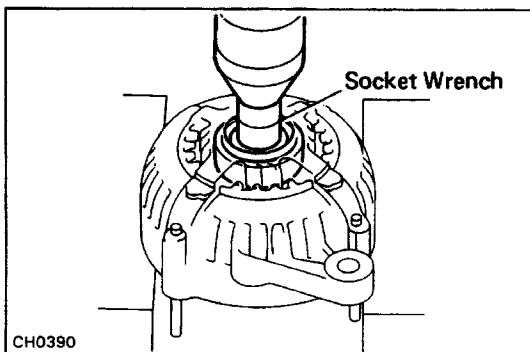
1. INSPECT FRONT BEARING

Check that the bearing is not rough or worn.

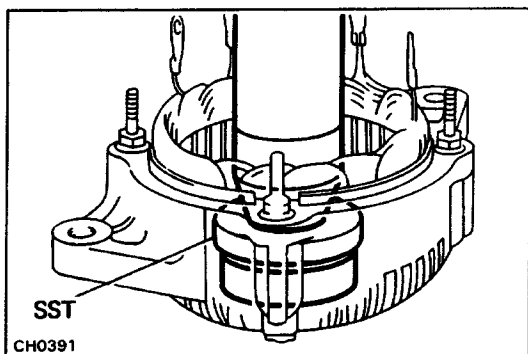


2. IF NECESSARY, REPLACE FRONT BEARING

- (a) Remove the four screws and bearing retainer.



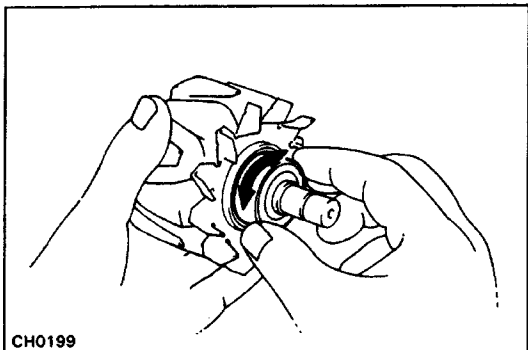
- (b) Using a press and socket wrench, press out the front bearing.



(c) Using SST and a press, press the front bearing into the drive end frame.

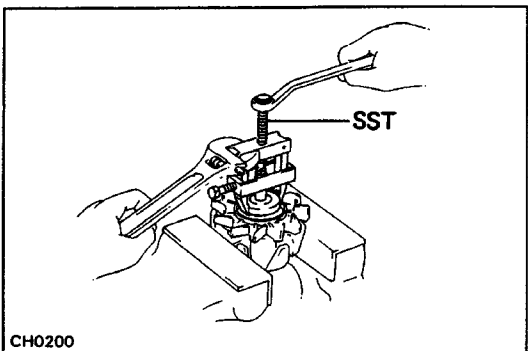
SST 09608-20012 (09608-00030)

(d) Install the bearing retainer with the four screws.



3. INSPECT REAR BEARING

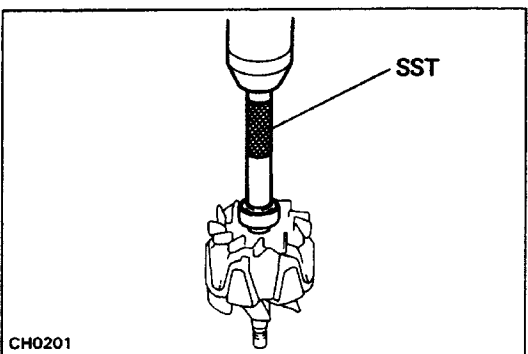
Check that the bearing is not rough or worn.



4. IF NECESSARY, REPLACE REAR BEARING

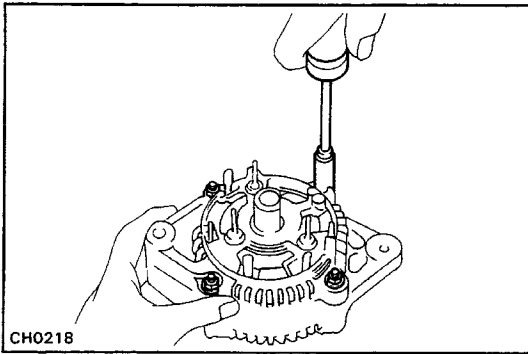
(a) Using SST, remove the bearing cover and bearing.

SST 09820-00021



(b) Using SST and a press, press in a new bearing and the bearing cover.

SST 09285-76010



CH0218

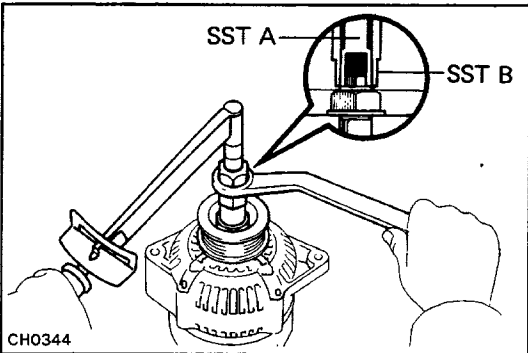
ASSEMBLY OF GENERATOR

(See page CH-5)

1. INSTALL ROTOR TO DRIVE END FRAME

2. INSTALL REAR END FRAME

- (a) Using a plastic-faced hammer, lightly tap in the rear end frame.
- (b) Install the four nuts.



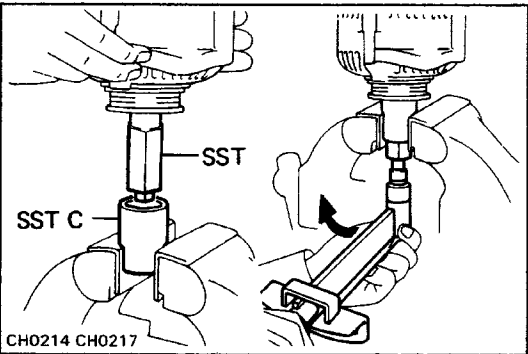
CH0344

3. INSTALL PULLEY

- (a) Install the pulley to the rotor shaft by tightening the pulley nut by hand.
- (b) Hold SST A with a torque wrench, and tighten SST B clockwise to the specified torque.
SST 09820-63010

Torque: 39 N-m (400 kgf -cm, 29 ft-lbf)

- (c) Check that SST A is secured to the pulley shaft.

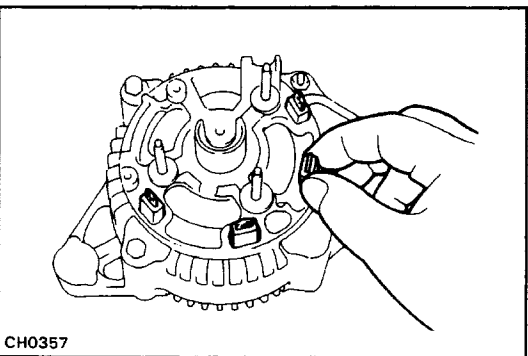


CH0214 CH0217

- (d) As shown in the illustration, mount SST C in a vise, and install the generator with SST (A and B) to SST C.
- (e) To torque the pulley nut, turn SST A in the direction shown in the illustration.

Torque: 110 N-m (1,125 kgf -cm, 81 ft-lbf)

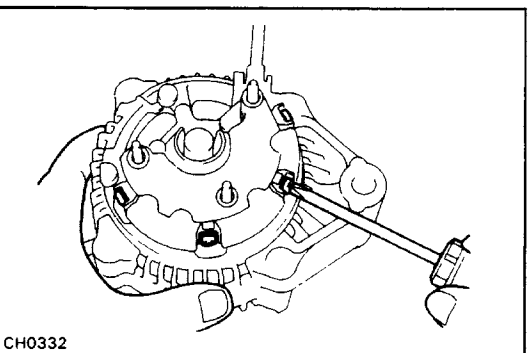
- (f) Remove the generator with SST (A and B) from SST C.
- (g) Turn SST B and remove SSTs A and B.



CH0357

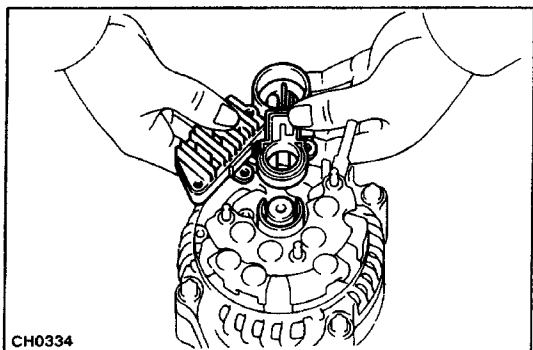
4. INSTALL RECTIFIER HOLDER

- (a) Install the four rubber insulators on the lead wires.



CH0332

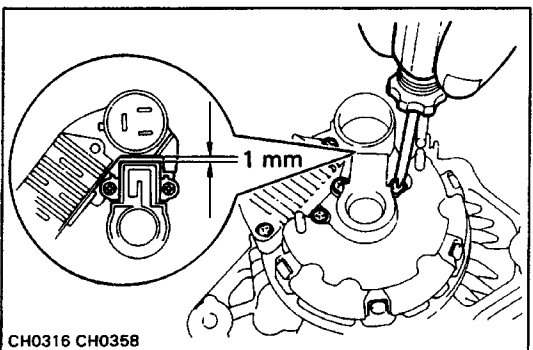
- (b) Install the rectifier with the four screws.



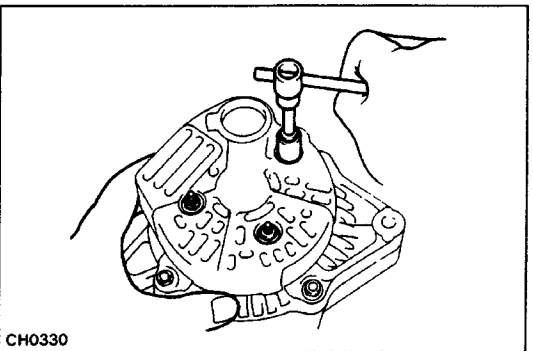
5. INSTALL BRUSH HOLDER AND IC REGULATOR

- (a) Place the brush holder cover to the brush holder.
- (b) Install the IC regulator and brush holder to the rear end frame horizontally as shown in the illustration.

HINT: Check that the brush holder's cover doesn't slip to one side during installation.

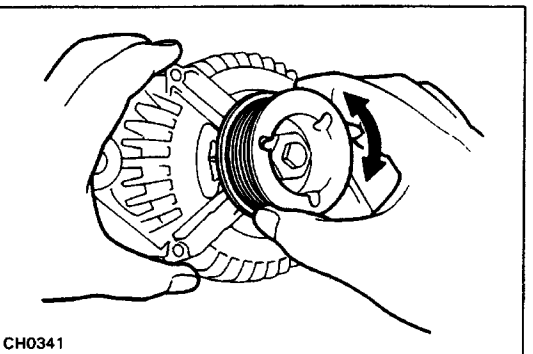


- (c) Tighten the five screws until there is a clearance of at least 1 mm (0.04 in.) between the brush holder cover and connector.

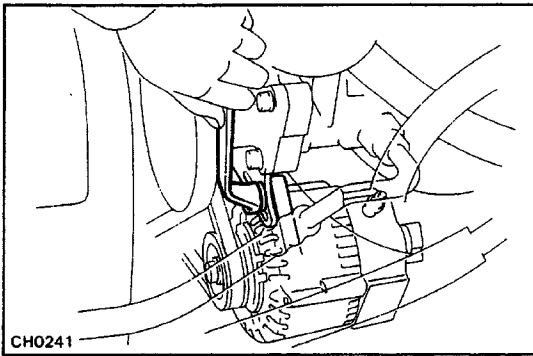


6. INSTALL REAR END COVER

- (a) Install the end cover with the three nuts.
- (b) Install the terminal insulator with the nut.



7. MAKE SURE ROTOR ROTATES SMOOTHLY



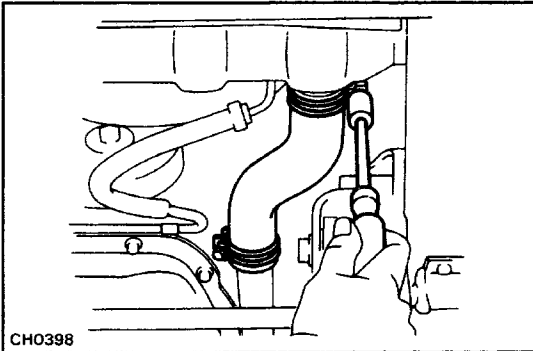
INSTALLATION OF GENERATOR (22R-E)

1. INSTALL GENERATOR

Mount the generator on the bracket with the pivot and adjusting bolt.

2. INSTALL AND ADJUST DRIVE BELT

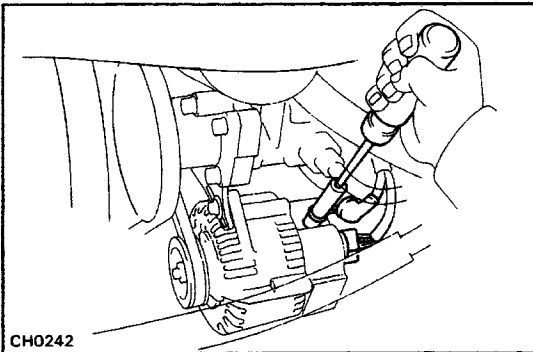
(See page [MA-6](#))



3. INSTALL WATER INLET HOSE

- (a) Install the water inlet hose.
- (b) Install the engine under cover.
- (c) (with A/C)

Install the No.2 fan shroud.



4. CONNECT WIRING TO GENERATOR

- (a) Connect the wire to the generator and install the nut.
- (b) Connect the connector to the generator.

5. FILL WITH COOLANT

Close the radiator drain cock and fill with coolant.

6. CONNECT NEGATIVE CABLE TO BATTERY

7. PERFORM ON-VEHICLE INSPECTION

(See page [CH-2](#))

INSTALLATION OF GENERATOR (3VZ-E)

1. INSTALL GENERATOR

Mount the generator on the generator bracket with pivot bolt and adjusting lock bolts.

Do not tighten the bolts.

2. INSTALL DRIVE BELT

(See step 3 on page [CH-2](#))

3. CONNECT WIRING TO GENERATOR

(a) Connect the wire to the generator with the nut.

(b) Connect the connector to the generator.

4. CONNECT NEGATIVE CABLE TO BATTERY

5. PERFORM ON-VEHICLE INSPECTION

(See pages [CH-2](#) to 3)